



REPAIR PARTS MANUAL
MODEL NO. 259790
Lawn Tractor

CRAFTSMAN[®]

18.5 HP 117 CM 3 LAMES EJ. LAT

HOW TO USE THIS MANUAL

This manual is designed to provide the customer with a means to identify the parts on his/her tractor when ordering repair parts. The illustrations may or may not represent the actual assemblies; therefore, it is not recommended to use this manual as a guide to assemble or disassemble the tractor. Some hardware and parts are drawn larger in order to more readily identify them.

Each tractor has its own model number.

The model number for your tractor can be found on the fender under the seat.

When ordering parts, always give the following information:

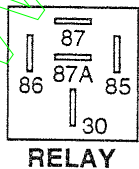
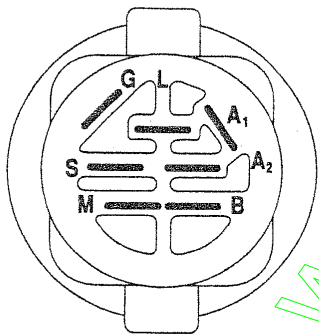
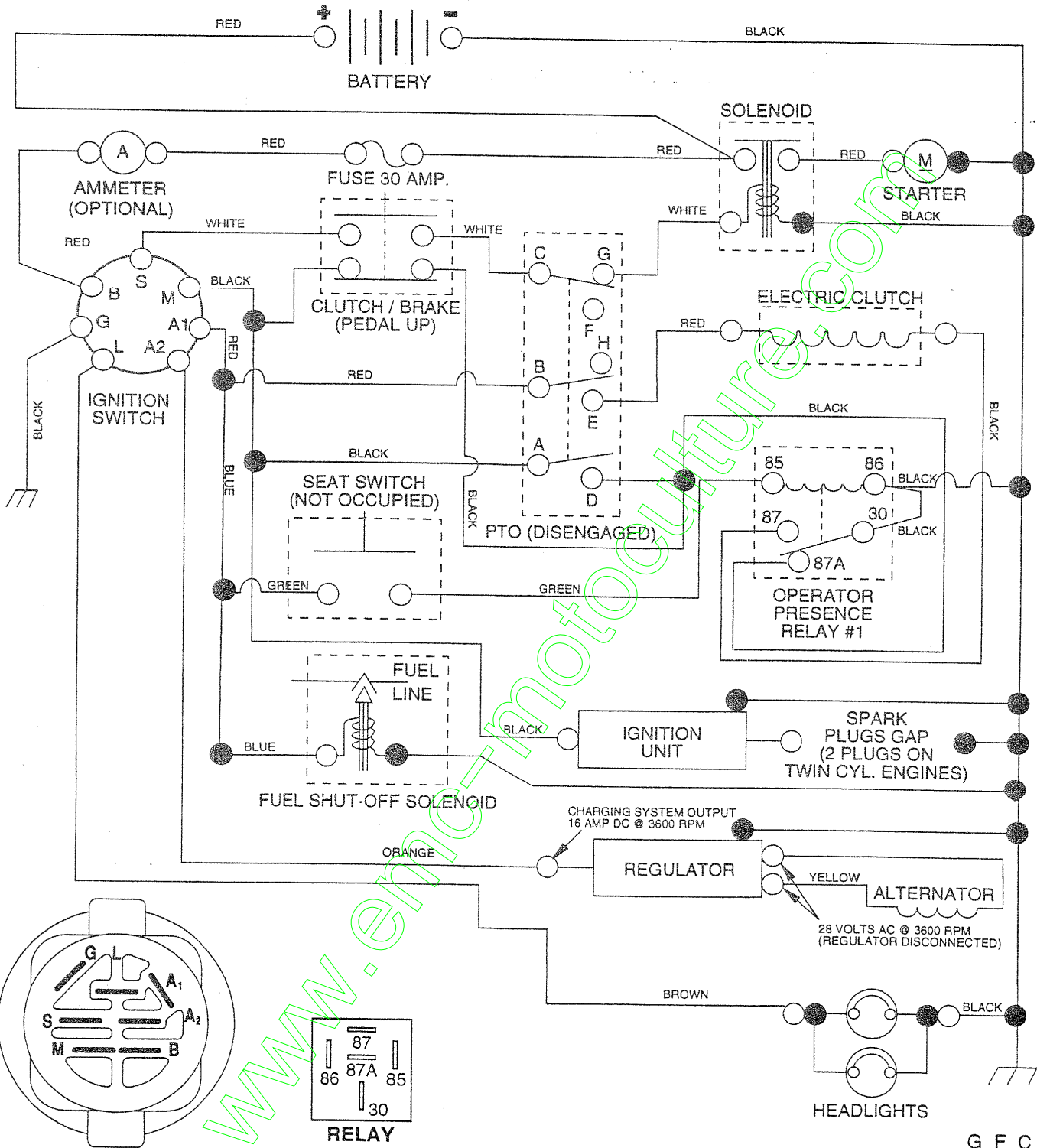
- Product - "Tractor"
- Model Number - "259790"
- Part Number
- Part Description

TABLE OF CONTENTS

SCHEMATIC	3
ELECTRICAL	4-5
CHASSIS	6-7
DRIVE	8-9
STEERING WHEEL	10-11
SEAT	12
DECALS	13
ENGINE	14-15
POWER LIFT LEVER	16-17
POWER DECK	18-19
TRANSAXLE	20-22

TRACTOR - - MODEL NUMBER 917.259790

SCHEMATIC



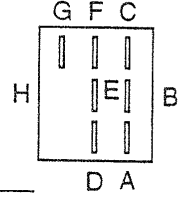
IGNITION SWITCH

POSITION	CIRCUIT	"MAKE"
OFF	M + G + A1	NONE
RUN/LIGHT	B + A1	A2 + L
RUN	B + A1	NONE
START	B + S + A1	NONE

WIRING INSULATED CLIPS
NOTE: IF WIRING INSULATED CLIPS WERE REMOVED FOR SERVICING OF UNIT, THEY SHOULD BE REPLACED TO PROPERLY SECURE YOUR WIRING.

PTO SWITCH

POSITION	CIRCUIT
OFF	C + G, B + H
ON	C + F, B + E, A + D

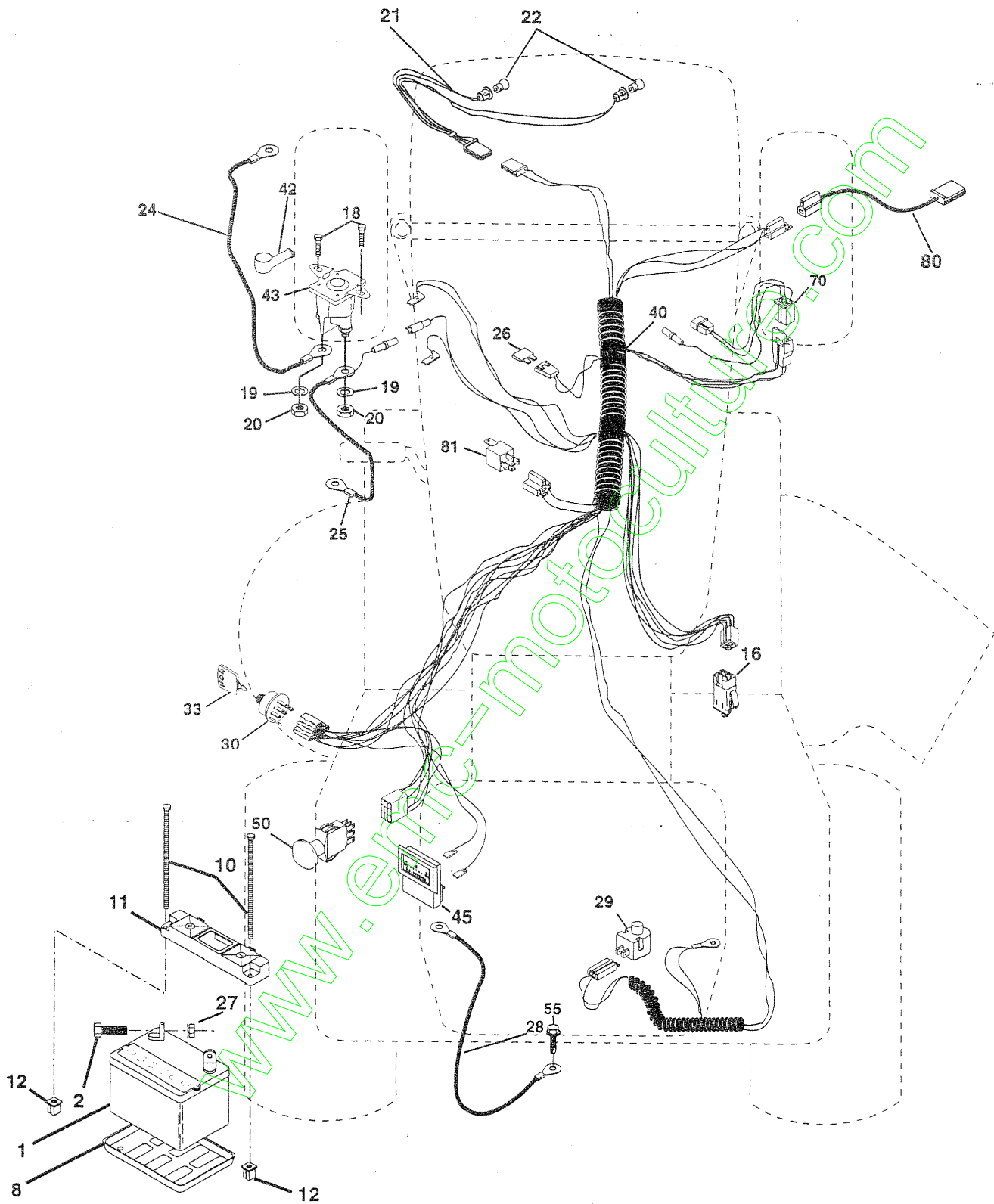


NON-REMOVABLE CONNECTIONS REMOVABLE CONNECTIONS

REPAIR PARTS

TRACTOR - - MODEL NUMBER 917.259790

ELECTRICAL



REPAIR PARTS

TRACTOR - - MODEL NUMBER 917.259790

ELECTRICAL

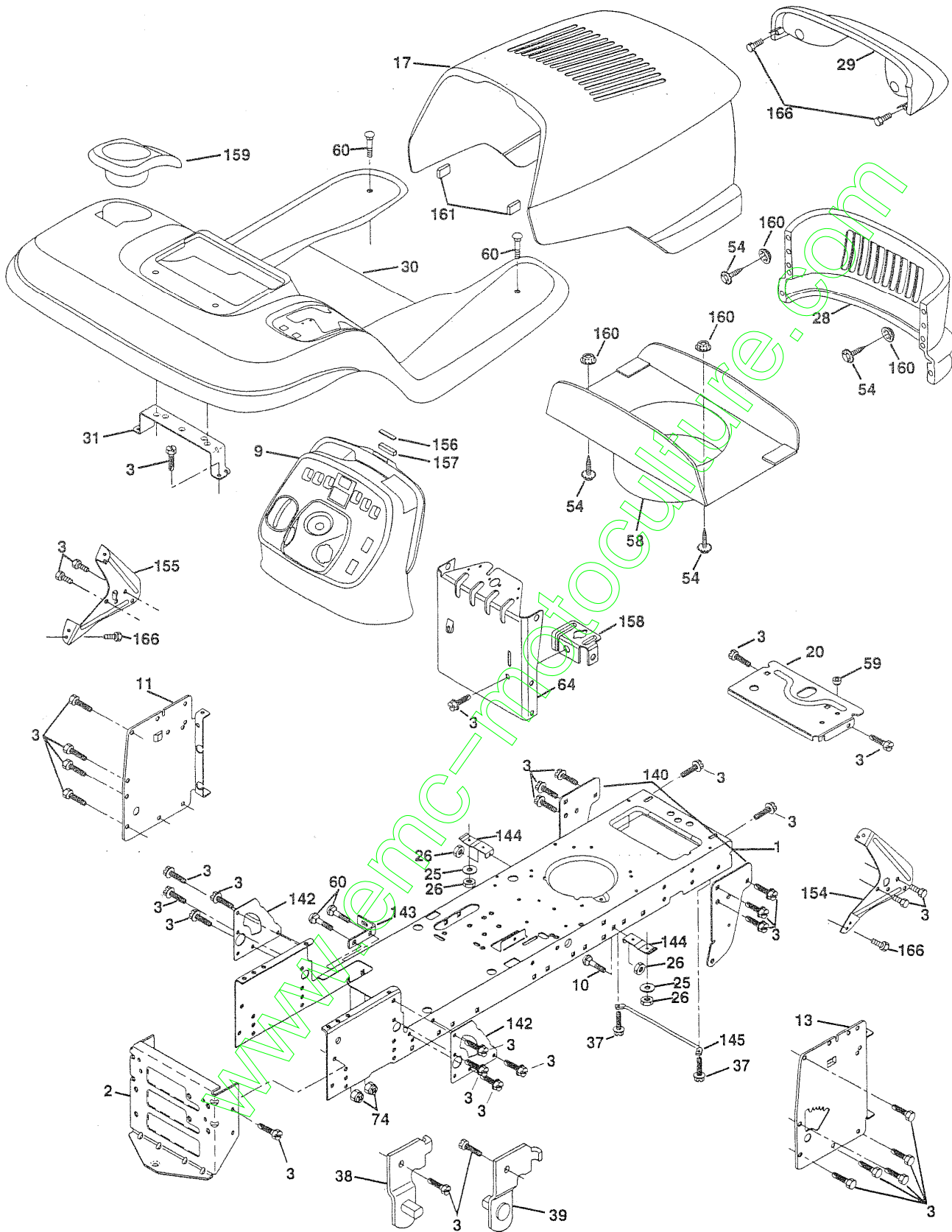
KEY NO.	PART NO.	DESCRIPTION
1	163465	Battery
2	74760412	Bolt, Hex Head 1/4-20 x 3/4
8	7603J	Tray, Battery
10	145211	Bolt, btr, Frt 1/4-20 x 7.5 Zinc
11	150109	Hold down Battery Front Mount
12	145769	Nut, Push, Nylon 1/4"
16	153664	Switch, Interlock Push-In
18	17720408	Bolt Blk Fin Hex 1/4-20 UNC x 1/2
19	STD551125	Washer, Lock 1/4
20	73350400	Nut, Hex, Jam 1/4-20
21	166184	Harness, Light
22	4152J	Bulb, Light
24	8860R	Cable, Battery
25	146148	Cable, Battery
26	166180	Fuse
27	73510400	Nut Keps Hex 1/4-20 Unc
28	145491	Cable, Ground
29	160784	Switch, Plunger Normal OP Olive
30	163968	Switch, Ign
33	140403	Key
40	166166	Harness, Ignition
42	131563	Cover, Terminal
43	145673	Solenoid
45	122822X	Ammeter
50	145693	Switch, PTO
55	17490508	Screw Thdrol 5/16-18 x 1/2
70	166668	Harness Engine
79	163996	Socket, Light Bulb
80	146685	Harness Clutch Evx
81	109748X	Relay Asm.

NOTE: All component dimensions given in U.S. inches
1 inch = 25.4 mm

REPAIR PARTS

TRACTOR -- MODEL NUMBER 917.259790

CHASSIS AND ENCLOSURES



REPAIR PARTS

TRACTOR - - MODEL NUMBER 917.259790

CHASSIS AND ENCLOSURES

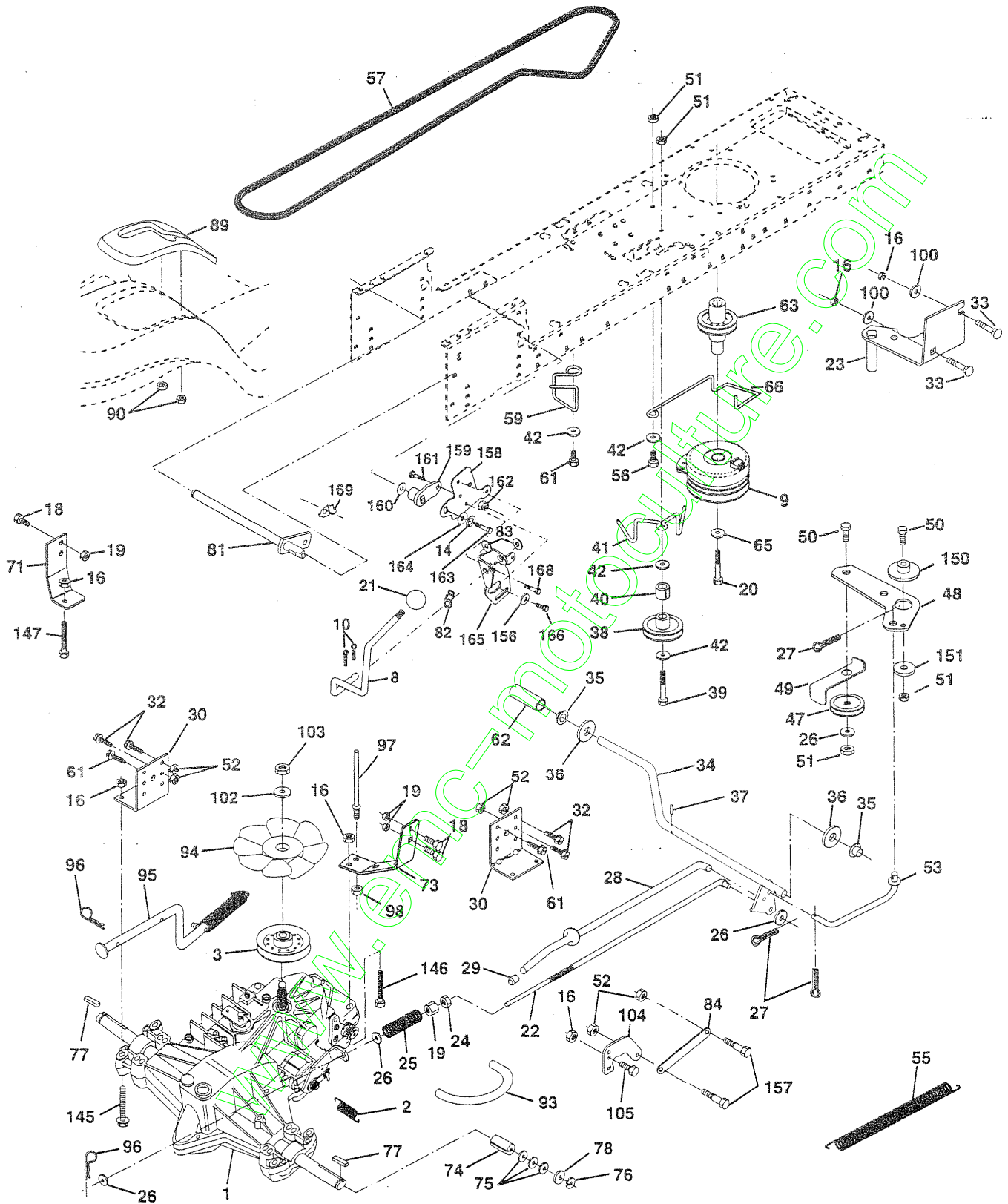
KEY NO.	PART NO.	DESCRIPTION
1	165583	Chassis
2	140356	Drawbar
3	17490612	Screw, Thd., Roll. 3/8-16 x 3/4 Type TT
9	163976	Dash
10	STD533710	Bolt, Carriage 3/8-16 x 1
11	163455	Panel, Dash, L.H.
13	163456	Panel, Dash, R.H.
17	161023X558	Hood Assembly
20	162026	Plate Battery STYT
25	19131312	Washer 13/32 x 13/16 x 12 Gauge
26	STD541437	Locknut, Hex, with Insert 3/8-16
29	160568	UNC - VITAE DE PHONE
28	160564X558	Grille, MS-558
30	154791X558	Fender/Footrest
31	139976	Bracket Fender/Support
37	17490508	Screw, Thdrol. 5/16-18 x 1/2 TYT
38	139886	Pivot Bracket Assembly, LH, Mower, Rear
39	139886	Pivot Bracket Assembly, RH, Mower, Rear
54	161464	Screw Hex Wshd 8-18 x 7/8
58	161236	Duct Hood Stealth
59	110436X	Bushing, Snap, Split
60	STD541437	Bolt Rdhd Sqnk 3/8-16 UNC x 3/4
63	19131614	Washer 13/32 x 1 x 14 Ga.
64	162025	Dash Lower STYT
74	STD541437	Nut Crownlock 3/8-16 UNC
140	158418	Bracket Suspension Front
142	165867	Plate Reinforcement STLT
143	154966	Bracket Swaybar Chassis
144	154207	Bracket Footrest STLT
145	156524	Rod Pivot Chassis/Hood
154	161897	Bracket Dash Rh
155	161900	Bracket Dash Lh
156	163805	Striker Plate
157	163806	Magnet YTGT
158	162037	Parking Brake Bkrt
159	155123X428	Cupholder Stl Bk
160	162967	Fastner Nutpal
161	164655	Extrusion Bumper
166	164863	Screw HWHD Hi-Lo #13-16 x 3/4

NOTE: All component dimensions given in U.S. inches
1 inch = 25.4 mm

REPAIR PARTS

TRACTOR - - MODEL NUMBER 917.259790

IVE



REPAIR PARTS

TRACTOR - - MODEL NUMBER 917.259790

DRIVE

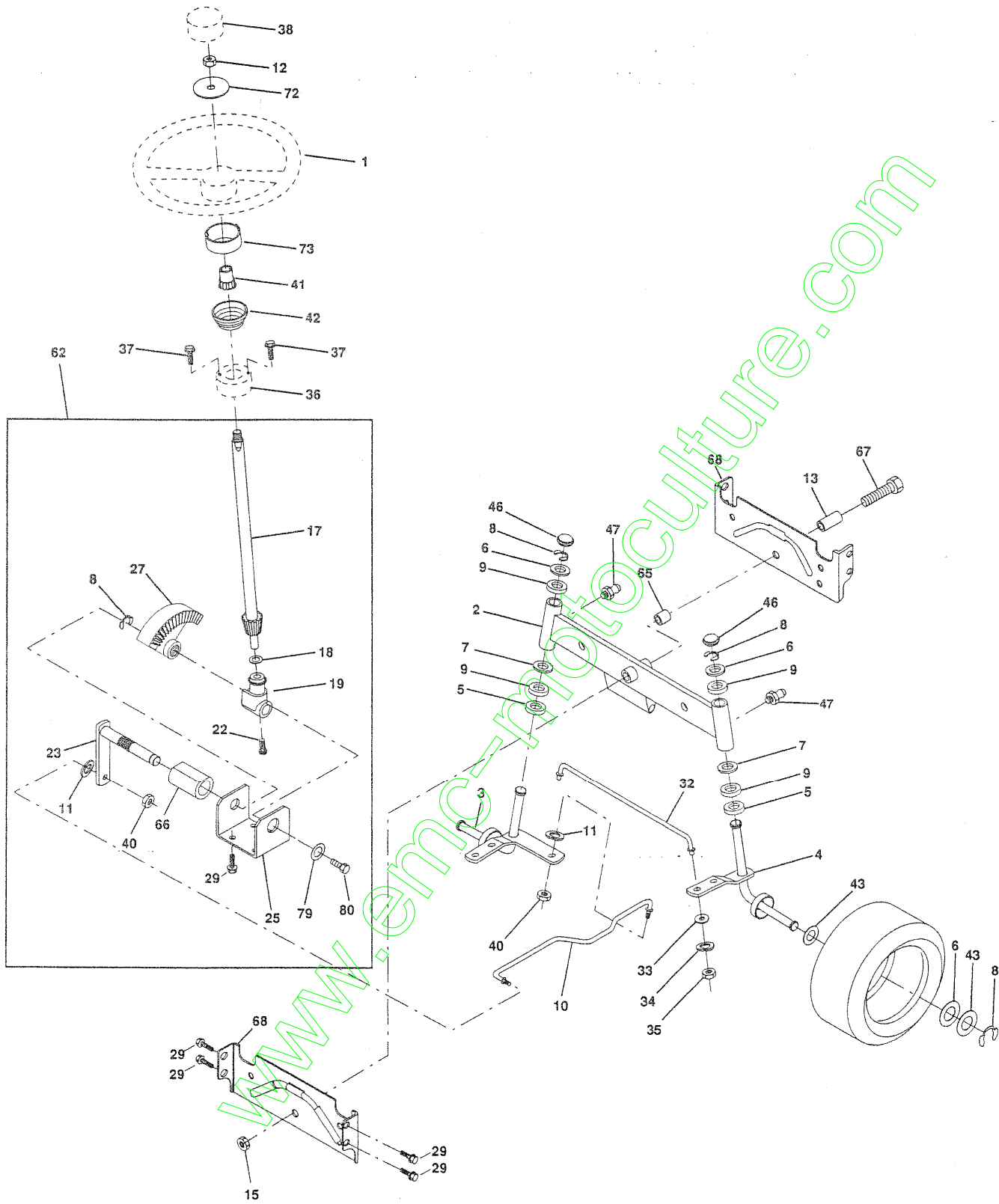
KEY PART NO. NO.	DESCRIPTION	KEY PART NO. NO.	DESCRIPTION
1	150071	65	10040700 Washer
2	142431	66	154778 Keeper Belt Engine
3	143995	71	140158 Strap Torque Lh Hydro
8	165866	73	156347 Strap Torque Rh Hydro
9	160889	74	121199X Spacer, Split
10	76020416	75	121749X Washer 25/32 x 1-1/4 x 16 Gauge
14	10040400	76	12000001 E-Ring
16	73800500	77	123583X Key, Square
18	74780616	78	121748X Washer 25/32 x 1-5/8 x 16 Gauge
19	73800600	81	165591 Shaft Asm. Cross Hydro
20	150280	82	165711 Spring Torsion T/A
21	130564	83	19171216 Washer 17/32 x 3/4 x 16 Ga.
22	145627	84	165815 Link Transaxle
23	154978	89	164890X428 Console, Shift
24	73350600	90	124346X Nut Self Thd Wsh-Hd 1/4 Zinc
25	106888X	93	142564 Line Fuel Hydro 4"
26	19131316	94	140462 Fan, Hydro 7"
27	76020412	95	144643 Control Asm Bypass Hydro
28	145204	96	4497H Retainer Spring 1" Zinc/Cad
29	124236X	97	140469 Keeper Belt Rh Hydro 0750. 18/20"
30	130807	98	73510600 Nut Keps Hex 3/8-16 Unc
32	74760512	100	19111216 Washer 11/32 x 3/4 x 16 Ga.
33	72140506	102	141322 Washer Belleville .501D x 1.50D
34	155071	103	73940800 Nut, H Jam Toplock 1/4-20 UNF
35	120183X	104	140156 Arm, Control Hydro
36	19211616	105	71070516 Screw Cap Hex 5/16 x 18 x 1
37	1572H	145	74490540 Bolt Hex Flghd 5/16-18 Gr.5
38	131494	146	74490536 Bolt Hex Flghd 5/16-18 x 2-1/4
39	74760644	147	74490524 Bolt Hex Flghd 5/16-18 x 1-1/2
40	4470J	150	165850 Bushing Bellcrank
41	165838	151	19133210 Washer 13/32 x 2 x 10 Ga.
42	19131312	156	166002 Washer Srrtd 5/16ID x 1.0 x .125
47	127783	157	153236 Bolt Shoulder 5/16-18 Unc-2A
48	154407	158	165589 Bracket Shift Mount
49	123205X	159	165494 Hub Tapped Flange Shift LT
50	74760624	160	19292016 Washer 29/32 x 1-1/4 x 16 Ga.
51	73680600	161	72140406 Bolt RdHd Sqnk 1/4-20 x 3/4 Gr. 5
52	73680500	162	73680400 Nut Crownlock 1/4-20 Unc
53	105710X	163	74780416 Bolt Hex Fin 1/4-20 Unc x 1 Gr. 5
55	105709X	164	19091010 Washer 5/8 x .281 x 10 Ga.
56	74760620	165	165623 Brkt Pivot Lever
57	140294	166	166880 Screw 5/16-18 x 5/8 TT Yellow
59	140312	168	165492 Bolt Shoulder 5/16-18 x .561 TT
61	17490612	169	165580 Plate Fastening
62	8883R		
63	145868		

NOTE: All component dimensions given in U.S. inches
1 inch = 25.4 mm

REPAIR PARTS

TRACTOR -- MODEL NUMBER 917.259790

STEERING ASSEMBLY



REPAIR PARTS

TRACTOR - - MODEL NUMBER 917.259790

STEERING ASSEMBLY

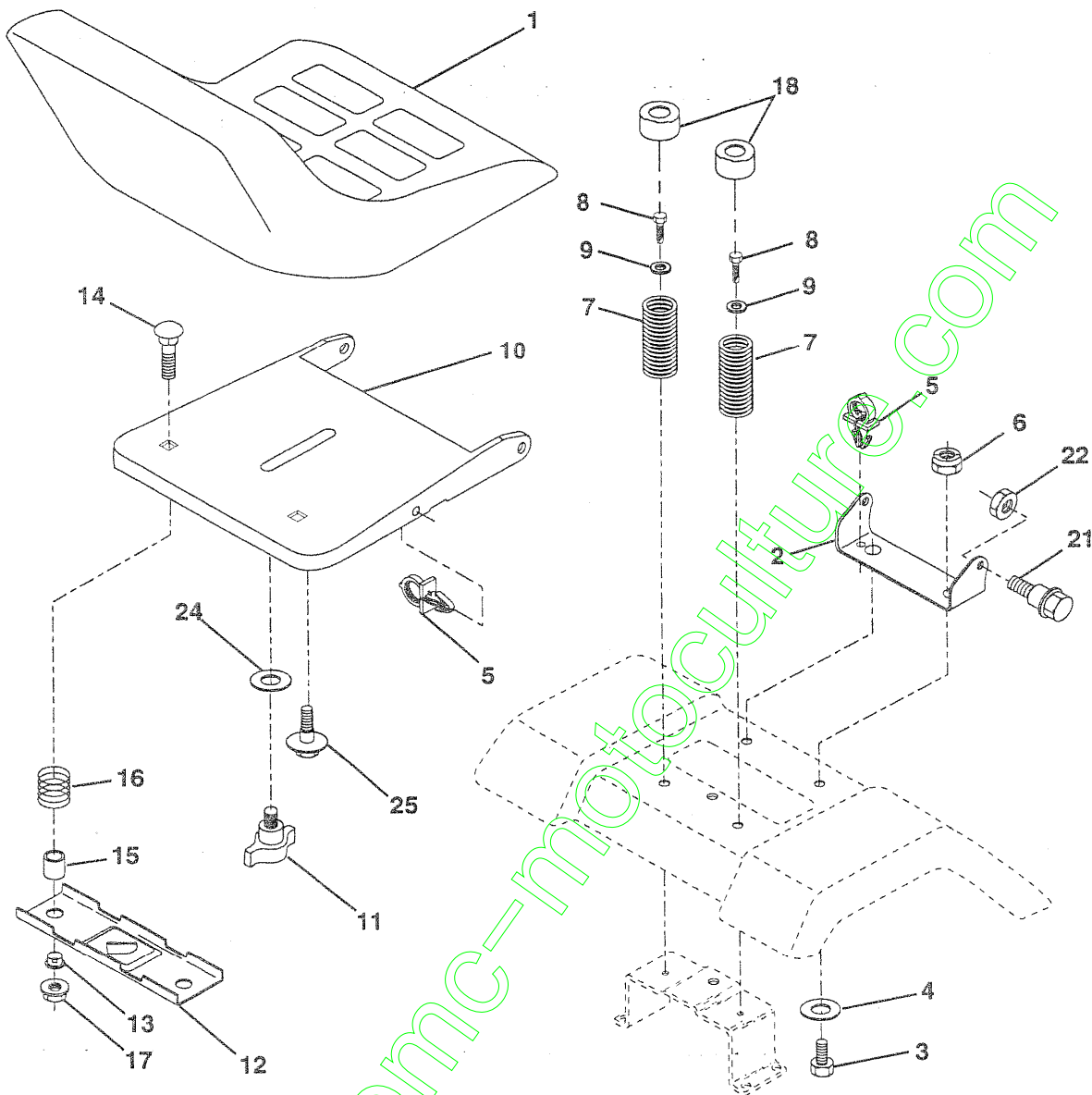
KEY PART NO. NO.	DESCRIPTION
1 159944X428	Wheel Steering
2 154427	Axle Asm STMP Dropped STL
3 156483	Spindle Asm LH
4 157473	Spindle Asm RH
5 6266H	Bearing Race Thrust Harden
6 121748X	Washer 25/32 X 1-5/8 X 16 Ga
7 19272016	Washer 27/32 X 1-1/4 X 16 Ga
8 12000029	Ring Klip #t5304-75
9 3366R	Bearing Col Strg Blk <i>Bagu plastique</i>
10 156438	Link Drag Extended Stamp
11 STD551137	Washer Lock Hvy Hlcl Spr 3/8
12 73940800	Nut Hex Jam Toplock 1/2-20 UNF
13 154779	Bearing Axle STLT/GT
15 73901000	Nut Lock Flange 5/8-11 Unc
17 156543	Shaft Asm Strg
18 57079	Washer Thrust 515x 750x 033
19 160395	Support Shaft Steering
22 165857	Screw Hex WSHHd Torx
23 165851	Shaft Asm Pittman
25 154406	Bracket Steering
27 136874	Gear Sector
29 17490612	Screw Thdrol 3/8-16x3/4 Ty-tt
32 139929	Rod Tie B. Solid 19 75 Mech
33 19111216	Washer 11/32 x 3/4 x 16 Ga.
34 STD551131	Washer Lock Hvy Hlcl Spr 5/16
35 73810500	Locknut 5/16-24 UNF
36 155105	Bushing Strg
37 152927	Screw
38 159946X428	Insert Cap Strg Wh
40 STD541537	Lock nut
41 159945	Adaptor Wheel Strg
42 163888	Boot Steering Stealth STYT
43 121749X	Washer 25/32 X 1 1/4 X 16 Ga
46 121232X	Cap Spindle Fr Top Blk
47 6855M	Fitting Grease
62 167905	Kit, Steering Assembly Svc
65 154780	Spacer Axle
66 154404	Bearing Arm Pittman
67 74781044	Bolt, Fin Hex 5/8-11 UNC x 2-3/4
68 154429	Axle, Brace
72 19182411	Washer 9/16ID x 1-1/2OD 11 Ga. Zin
73 160135	Steering Sleeve Extension
79 19132012	Washer 13/32 x 1-1/4 x 12 Ga.
80 74950612	Bolt Hex Nylon 3/8-16 x 3/4

NOTE: All component dimensions given in U.S. inches
1 inch = 25.4 mm

REPAIR PARTS

TRACTOR -- MODEL NUMBER 917.259790

SEAT ASSEMBLY



KEY NO.	PART NO.	DESCRIPTION
1	140124	Seat
2	140551	Bracket Pivot Seat 8 720
3	STD523710	Bolt Fin Hex 3/8-16unc X 1
4	19131610	Washer 13/32 X 1 X 10 Ga
5	145006	Clip Push-In
6	STD541437	Nut Hex w/Ins. 3/8-16 Unc
7	124181X	Spring Seat Cprsn 2 250 Blk Zi
8	17490616	Screw Thdrol 3/8-16 X 1 Ty-tt
9	19131614	Washer 13/32 X 1 X 14 Ga.
10	155925	Pan Seat
11	166369	Knob Seat Adj Wingnut
12	121246X	Bracket Mounting Switch

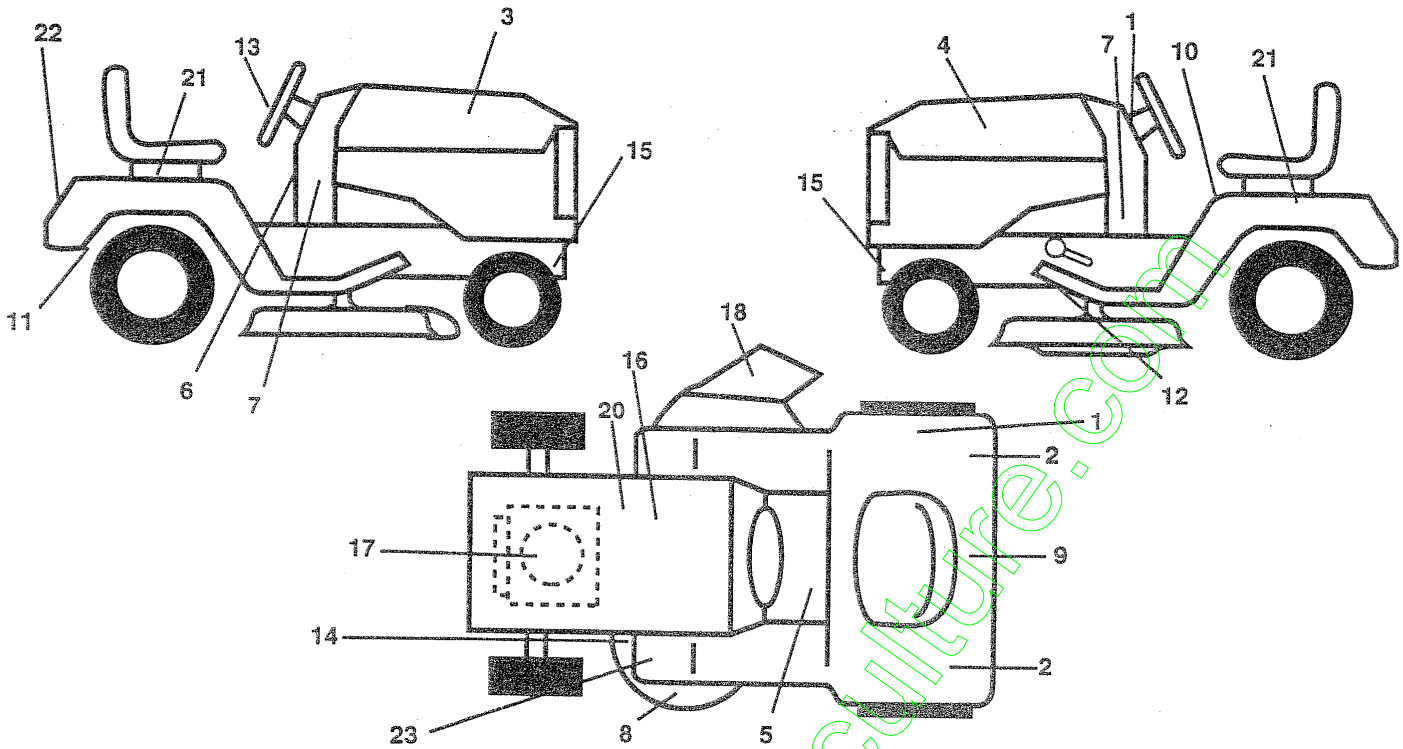
KEY NO.	PART NO.	DESCRIPTION
13	121248X	Bushing Snap Blk Nyl 50 Id
14	72050412	Bolt Rdhd Sqnk 1/4-20x1-1/2
15	121249X	Spacer Split 28x 96 Yel Zinc
16	123740X	Spring Cprsn 1 27 Blk Pnt
17	123976X	Nut Lock 1/4 Lge Flg Gr 5 Zinc
18	124238	Cap Spring Seat
21	153236	Bolt Shoulder 5/16-18 Unc
22	STD541431	Nut Hex Lock W/Ins 5/16-18
24	19171912	Washer 17/32 X 1-3/16 X 12 Ga.
25	127018X	Bolt Shoulder 5/16-18 X 62

NOTE: All component dimensions given in U.S. inches
1 inch = 25.4 mm

REPAIR PARTS

TRACTOR - - MODEL NUMBER 917.259790

DECALS



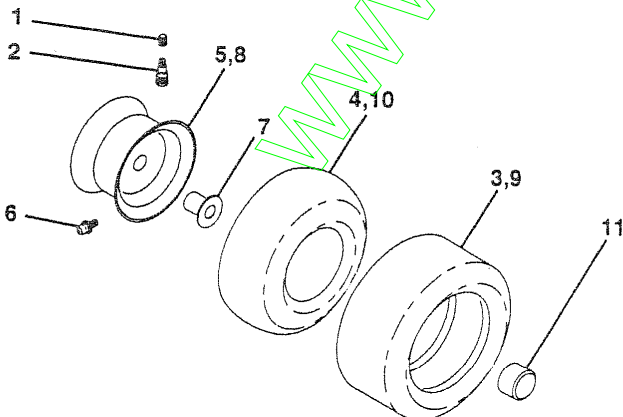
KEY NO.	PART NO.	DESCRIPTION
1	126187X	Decal Certification
2	106202X	Reflector Tail Light
3	163916	Decal Hood RH
4	163917	Decal Hood LH
5	140837	Decal Brake Parking
6	164487	Decal Dash
7	167329	Decal Dash Pnl
8	166887	Decal Deck Mower EZ
9	163204	Decal Fender Logo
10	145498	Decal Read Owners Manual
11	142431	Decal Drawbar Cntrl Mvt Hyd Lt
12	146046	Decal V-Belt Drive Schematic
13	164065	Decal Strg Wheel
14	160397	Decal V-Belt Schematic

DESCRIPTION

KEY NO.	PART NO.	DESCRIPTION
15	159736	Decal Chassis Hot Muffler
16	138047	Decal Batter Diehard
17	167049	Decal Engine
18	145495	Decal Cutoff
20	145005	Decal Battery Dngr/Psn Eng
21	163206	Decal Fender Side
22	145437	Decal Euro Stand CE
23	159737	Decal Brake/Clutch
--	138311	Decal Handle Lft Height Adjust
--	154515	Pad Footrest LH STLT
--	154516	Pad Footrest RH STLT
--	162598	Decal Drawbar Load Limit
--	168634	Manual Operator's (Euro)
--	168635	Manual Operator's (Scand)
--	168636	Manual Parts

DESCRIPTION

WHEELS & TIRES



KEY NO.	PART NO.	DESCRIPTION
1	59192	Cap Valve Tire
2	65139	Stem Valve
3	106222X	Tire F Ts 15 X 6 0 - 6 Service
4	59904	Tube Front (Service Item Only)
5	106732X427	Rim Asm 6" front Service
6	278H	Fitting Grease (Front Wheel Only)
7	9040H	Bearing Flange (Front Wheel Only)
8	106108X427	Rim Asm 8" rear Service
9	122082X	Tire R Ts 20x10-8 C Service
10	7152J	Tube Rear (Service Item Only)
11	104757X	Cap Axle Blk 1 50 X 1 00
--	144334	Sealant, Tire (10 oz. Tube)

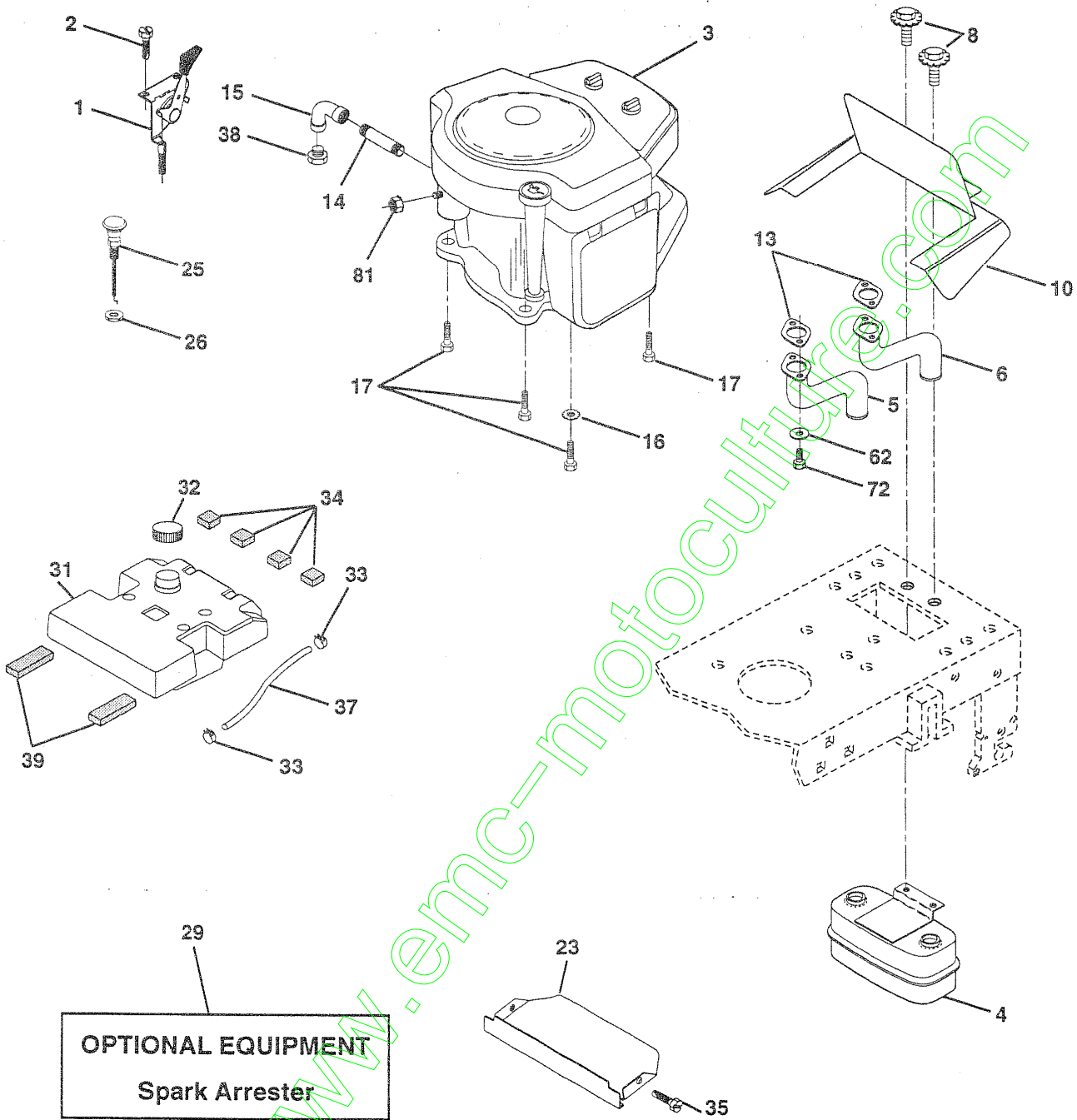
DESCRIPTION

NOTE: All component dimensions given in U.S. inches
1 inch = 25.4 mm

REPAIR PARTS

TRACTOR - - MODEL NUMBER 917.259790

ENGINE



REPAIR PARTS

TRACTOR -- MODEL NUMBER 917.259790

ENGINE

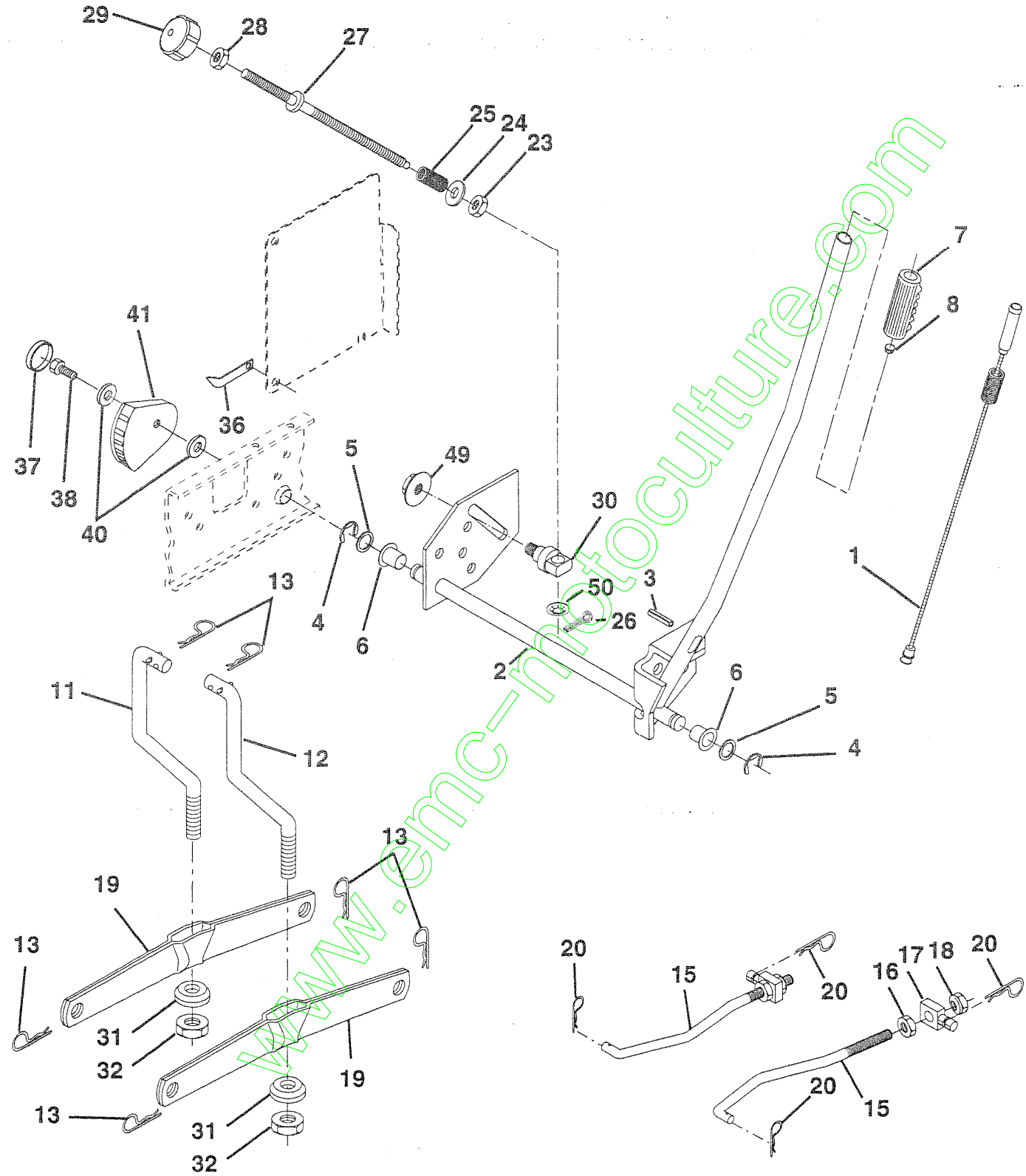
KEY NO.	PART NO.	DESCRIPTION
1	164092	Control, Throttle/Choke
2	164863	Screw HWHD Hi-Lo #13-16 x 3/4
3	-----	Engine (See Breakdown) Briggs Model 407777-0121-E1
4	149723	Muffler
5	159955	Exhaust Tube LH
6	160589	Exhaust Tube RH
8	150176	Bolt 5/16-18 UNC x 3/4 w/Sems
10	162797	Shield Browning
13	165391	Gasket Muffler
14	13280336	Nipple, Pipe 4-1/2"
15	13200300	Elbow, Standard 90°, 3/8-18 NPT
16	STD551237	Washer
17	17490624	Screw Thdrol 3/8-16 x 1-1/2 TT
23	159880	Shield, Browning
25	164068	Control Choke
26	73920600	Nut Keps 3/8-24 UNF
29	137180	Arrestor, Spark
31	157103	Tank, Fuel
32	161696	Cap, Fuel, Gauge
33	123487X	Clamp, Hose
34	106082X	Pad Spacer 1 x 1 x 1
35	17490512	Screw Thdrol. 5/16-18 x 3/4 TYT
37	8543R	Line, Fuel
38	---	Plug, Oil Drain (Order From Engine Manufacturer)
39	109227X	Pad Idler 1.75 x .75 x .06
62	STD551131	Washer, Lock
72	71070512	Screw Hex Hd Cap 5/16-18 x 3/4
81	128861	Nut Flange 1/4-20 UNC Starter Nut

NOTE: All component dimensions given in U.S. inches
1 inch = 25.4 mm

REPAIR PARTS

TRACTOR - - MODEL NUMBER 917.259790

OWER LIFT



REPAIR PARTS

TRACTOR - - MODEL NUMBER 917.259790

MOWER LIFT

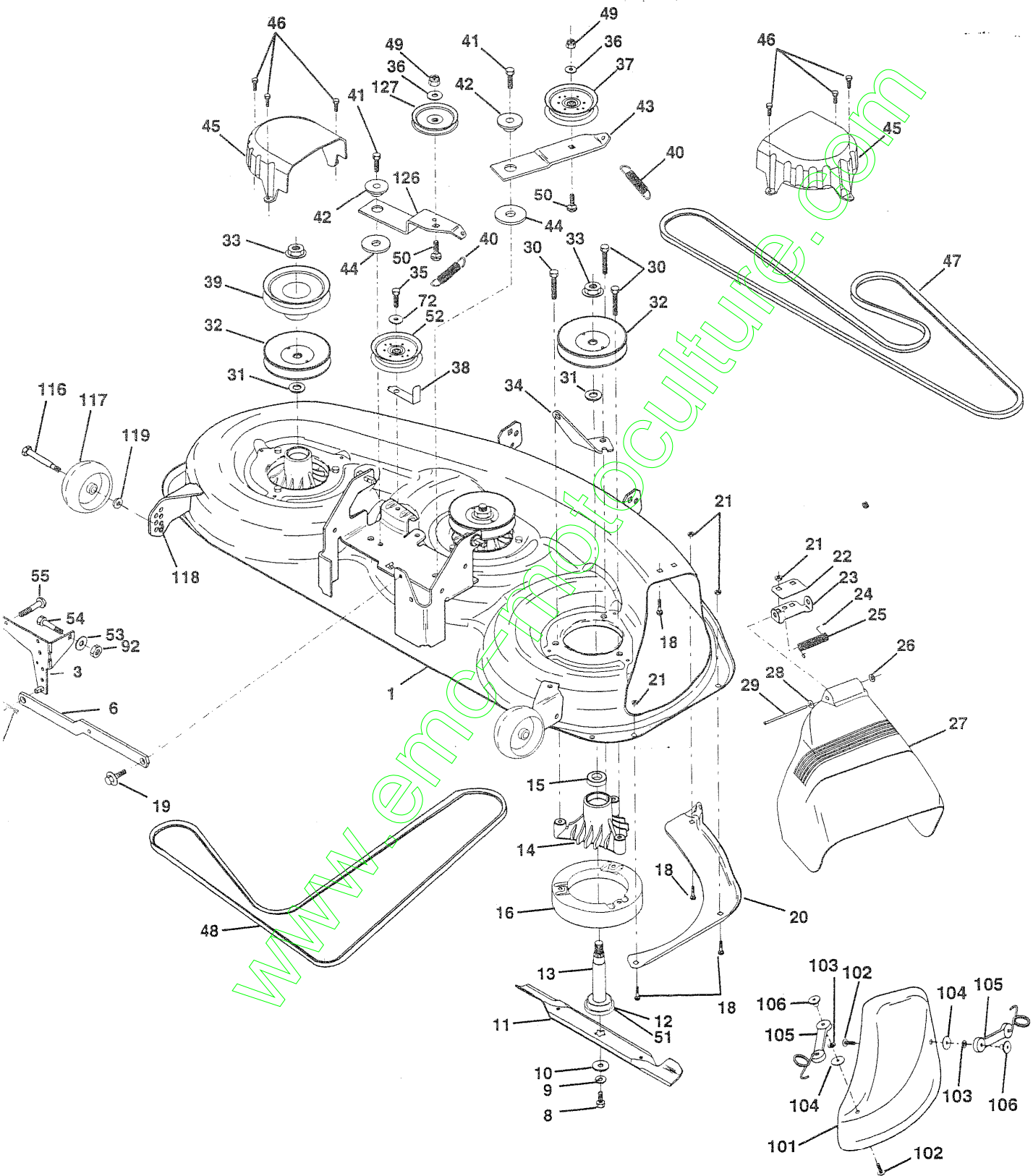
KEY NO.	PART NO.	DESCRIPTION
1	159461	Wire Asm Inner W/Plunger
2	159476	Shaft Asm Lift
3	138284	Pin Groove
4	12000002	E Ring
5	19211621	Washer 29/32 x 1-1/4 x 21 Ga.
6	120183X	Bearing Nylon Blk .629 ID
7	125631X	Grip Handle Fluted
8	122365X	Button, Plunger
11	139865	Link Lift Lh Fixed Length
12	139866	Link Lift Rh Fixed Length
13	624008	Retainer Spring
15	127218	Link Front
16	73350800	Nut Jam Hex 1/2-13 Unc
17	130171	Trunnion Blk Zinc
18	73680800	Nut Crownlock 1/2-13 UNC
19	139868	Arm Suspension Rear
20	163552	Spring Retainer
23	110807X	Nut Special
24	19131016	Washer 13/32 X 5/8 X 16 Ga
25	164024	Spring
26	76020308	Pin Cotter 3/32 x 1/2
27	164543	Rod Adjust Lift
28	73350600	Nut Hex Jam 3/8-16 Unc
29	138057	Knob Infinite 3/8-16 Unc Black
30	150233	Trunnion Infinite Height
31	140302	Bearing Pvt. Lift Spherical
32	73540600	Nut Lock 3/8-24
36	155097	Pointer Height Indicator
37	123935X	Plug Hole Blk 1.485/1.515 Dia
38	17490512	Screw Thdrol 5/16-18 x 3/4
40	19112410	Washer 11/32 x 1-1/2 x 10 Ga.
41	155098	Indicator Height STLT
49	145212	Nut Hex Flange Lock
50	110452X	Nut Push Phos & Oil

NOTE: All component dimensions given in U.S. inches
1 inch = 25.4 mm

REPAIR PARTS

TRACTOR - - MODEL NUMBER 917.259790

POWER DECK



REPAIR PARTS REPAIR PARTS

TRACTOR - - MODEL NUMBER 917.259790

MOWER DECK

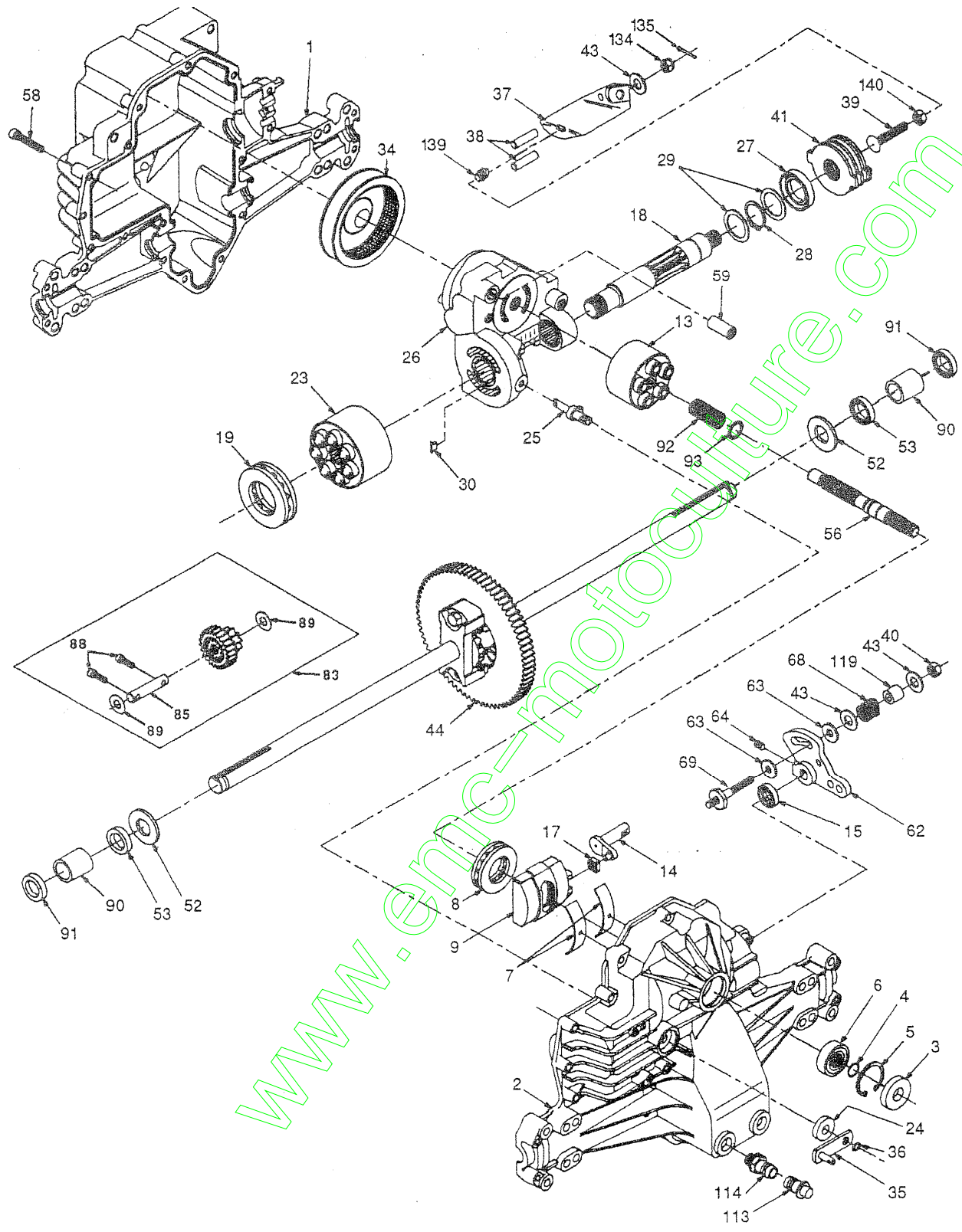
KEY NO.	PART NO.	DESCRIPTION	KEY NO.	PART NO.	DESCRIPTION
1	164210	Deck Weldment Mower	41	17490620	Screw, Thdroll 3/8-16 x 1-1/4 Tytt
3	138457	Bracket Asm., Sway Bar	42	122052X	Spacer, Retainer
5	STD624008	Retainer Spring	43	144949	Arm, Idler Secondary
6	130832	Arm, Suspension, Rear (Sway Bar)	44	133943	Washer, Hardened
8	850857	Bolt, Patched 3/8-24 x 1-1/4 Gr. 8	45	145059	Cover, Mandrel Deck
9	STD551137	Washer, Lock Hvy., Unplated 3/8	46	137729	Screw, Thdroll 1/4-20 x 5/8
10	140296	Washer, Hard Blade, Mower Vented	47	144959	V-Belt, Mower, Secondary
11	163819	Blade, 46" Mulching	48	148763	V-Belt, Mower, Primary
12	129895	Bearing, Ball, Mandrel #6204	49	STD541437	Nut, Crownlock 3/8-16 UNC
13	137553	Shaft Asm. w/Lower Bearing (Includes Key No. 12)	50	72110612	Bolt, Carriage 3/8-16 x 1-1/2 Gr. 5
14	137152	Housing, Mandrel	51	153390	Washer, Felt
15	110485X	Bearing, Ball, Mandrel	52	156493	Pulley, Idler 46 Pri Drive 97
16	140329	Stripper, Mower Round	53	19131312	Washer
18	STD533106	Bolt, Carriage 5/16-18 x 5/8	54	74780616	Bolt Fin Hex 3/8-16 UNC x 1 Gr. 5
19	132827	Bolt, Hex Head, Shoulder 5/16-18	55	72140608	Bolt Rdhd Sqnk 3/8-16 UNC x 1
20	145055	Baffle, Vortex Mower 46"	57	156941	Pin Head Rivet
21	STD541431	Nut, Crownlock 5/16-18 UNC	72	19131616	Washer 13/32 x 1 x 16 Ga.
22	134753	Stiffener, Bracket	92	STD541437	Nut Lock Hex W/Ins 3/8-16 UNC
23	131267	Bracket, Deflector	101	145579	Cover, Mulching
24	105304X	Cap, Sleeve	102	71161010	Screw
25	149287	Spring, Torsion, Deflector	103	STD551110	Washer, Lock #10
26	110452X	Nut, Push	104	19061216	Washer
27	157788	Shield, Deflector Mower	105	160793	Latch Asm. Bagger
28	19111016	Washer 11/32 x 5/8 x 16 Ga.	106	2029J	Nut, Weld
29	131491	Rod, Hinge	116	137644	Bolt, Shoulder
30	157722	Screw, Thd Rolling Washer Head	117	133957	Gauge Wheel, Wide
31	129963	Washer, Spacer Mower Vented	118	73930600	Nut, Centerlock 3/8-16 UNC
32	153531	Pulley, Mandrel	119	19121414	Washer 3/8 x 7/8 x 14 Ga.
33	137266	Nut, Flg. Top Lock Cntr. 9/16	126	144948	Arm, Idler, Primary Deck 46"
34	144945	Anchor, Spring Deck 46"	127	146763	Pulley, Idler, V-Groove Dim. 4.25
35	17490628	Screw, Thdroll 3/8-16 x 1-3/4 Tytt	--	166222	Deck Complete (Std. Deck-Order separately mulcher plate and gauge wheel components Key Nos. 101-106 and 116-118)
36	STD551037	Washer 13/32 x 13/16 x 16 Ga.	--	143651	Mandrel Asm. Service (Includes Key Nos. 8-10, 12-15, 31 and 33)
37	131494	Pulley, Idler, Flat			
38	156086	Keeper, Belt, Idler			
39	144917	Pulley, Idler, Driven			
40	137273	Spring, Secondary 44/46/50 Vent			

NOTE: All component dimensions given in U.S. inches
1 inch = 25.4 mm

REPAIR PARTS

TRACTOR - - MODEL NUMBER 917.259790

HYDRO GEAR TRANSAXLE - - MODEL NUMBER 319-0650



REPAIR PARTS

TRACTOR - - MODEL NUMBER 917.259790

HYDRO GEAR TRANSAXLE - - MODEL NUMBER 319-0650

KEY PART NO. NO.	DESCRIPTION	KEY PART NO. NO.	DESCRIPTION
1 142930	Housing, Lower	43 142884	Washer 7/16 x 7/8 x .060
2 142931	Assembly, Upper Housing	44 150829	Differential Assembly
3 142932	Seal, Lip	52 142991	Washer 3/4 x 1.5 x .13
4 142928	Ring, Wire Retaining	53 142961	Seal .75 x 1.25 x .250
5 142933	Ring, Retaining	56 142963	Shaft, Input
6 142934	Bearing, Shaft Ball	58 142964	Bolt 1/4-20 x 1.38
7 142935	Bearing, Cradle	59 142965	Pin 5 OD x .43 ID x .750
8 150771	Bearing, Thrust 30 x 52 x 13	62 142966	Arm, Control
9 142937	Swashplate, Variable	63 142967	Puck, Dampener
13 142938	Block, Cylinder Assembly	64 142920	Set Screw
14 142939	Arm, Trunnion	68 142969	Spring
15 142940	Seal, Lip	69 144610	Stud 5/16-24
17 142941	Guide, Slot	83 142971	Jackshaft Assembly
18 150772	Shaft, Motor	85 150806	Jackshaft
19 150773	Bearing, Thrust 42 x 68 x 16	88 142973	Screw, Cap
23 142944	Block, Cylinder Assembly	89 142974	Washer 7/16 x 1 x 1/2
24 142945	Seal, Lip 10 x 25 x 7	90 142975	Sleeve Bearing
25 142946	Actuator, Bypass	91 142976	Seal, Wiper
26 150774	Center Section Assembly Kit	92 142977	Spring, Block
27 142948	Seal, Lip 26 x 42 x 8	93 142978	Washer, Block Thrust
28 142949	Ring, Retaining	113 142917	Cap, Vent Assembly
29 142950	Washer 26 x 35 x 1	114 142918	Fitting, O-Ring Assembly
30 150787	Plate, Bypass	119 142980	Spacer
34 142951	Oil Filter Element	134 144607	Nut, Castle 5/16-24
35 142952	Arm, Bypass	135 144608	Pin, Cotter
36 142953	Ring, Retaining	139 150775	Spring, Compression
37 142954	Arm, Actuating	140 150776	Nut, Hex 5/16-24
38 142955	Pin, Actuating		
39 150777	Bolt 5/16-24 x 1-3/4		
40 150778	Locknut, Hex 5/16-24 UNJC		
41 142958	Brake Rotor/Stator Kit		

NOTE: All component dimensions given in U.S. inches
1 inch = 25.4 mm