

REPAIR PARTS MANUAL
MODEL NO. 274250
Lawn Tractor



HOW TO USE THIS MANUAL

This manual is designed to provide the customer with a means to identify the parts on his/her tractor when ordering repair parts. The illustrations may or may not represent the actual assemblies; therefore, it is not recommended to use this manual as a guide to assemble or disassemble the tractor. Some hardware and parts are drawn larger in order to more readily identify them.

Each tractor has its own model number.

The model number for your tractor can be found on the fender under the seat.

When ordering parts, always give the following information:

- Product - "Tractor"
- Model Number - "274250"
- Part Number
- Part Description

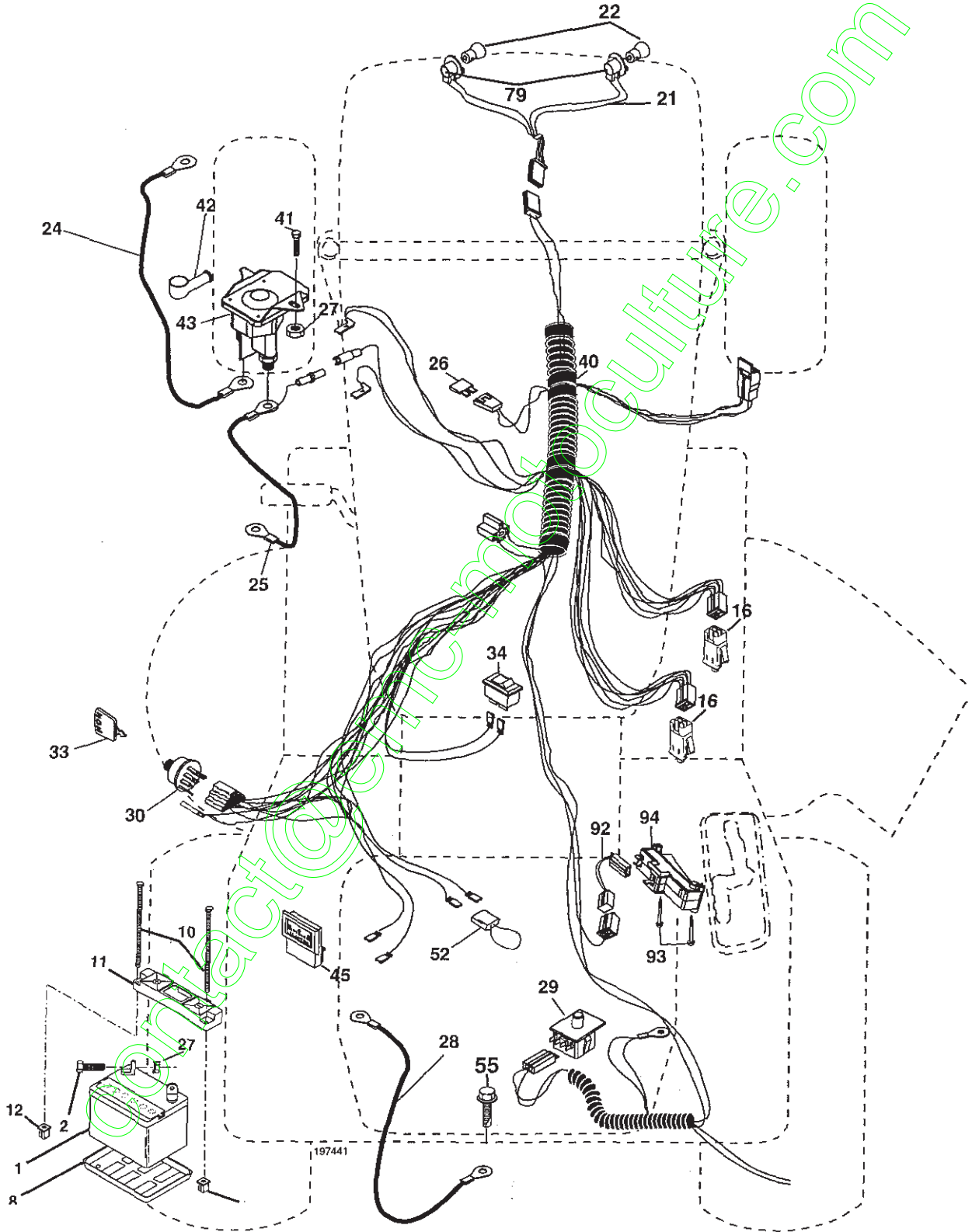
TABLE OF CONTENTS

SCHEMATIC	3
ELECTRICAL.....	4-5
CHASSIS.....	6-7
DRIVE.....	8-9
STEERING	10-11
ENGINE.....	12-13
SEAT	14
DECALS.....	15
MOWER LIFT	16-17
MOWER DECK	18-19
TRANSAXLE.....	20-21
ENGINE BREAKDOWN.....	22-25
WARRANTY.....	24

REPAIR PARTS

TRACTOR- -MODEL NO. 917. 274250

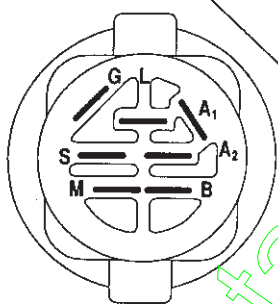
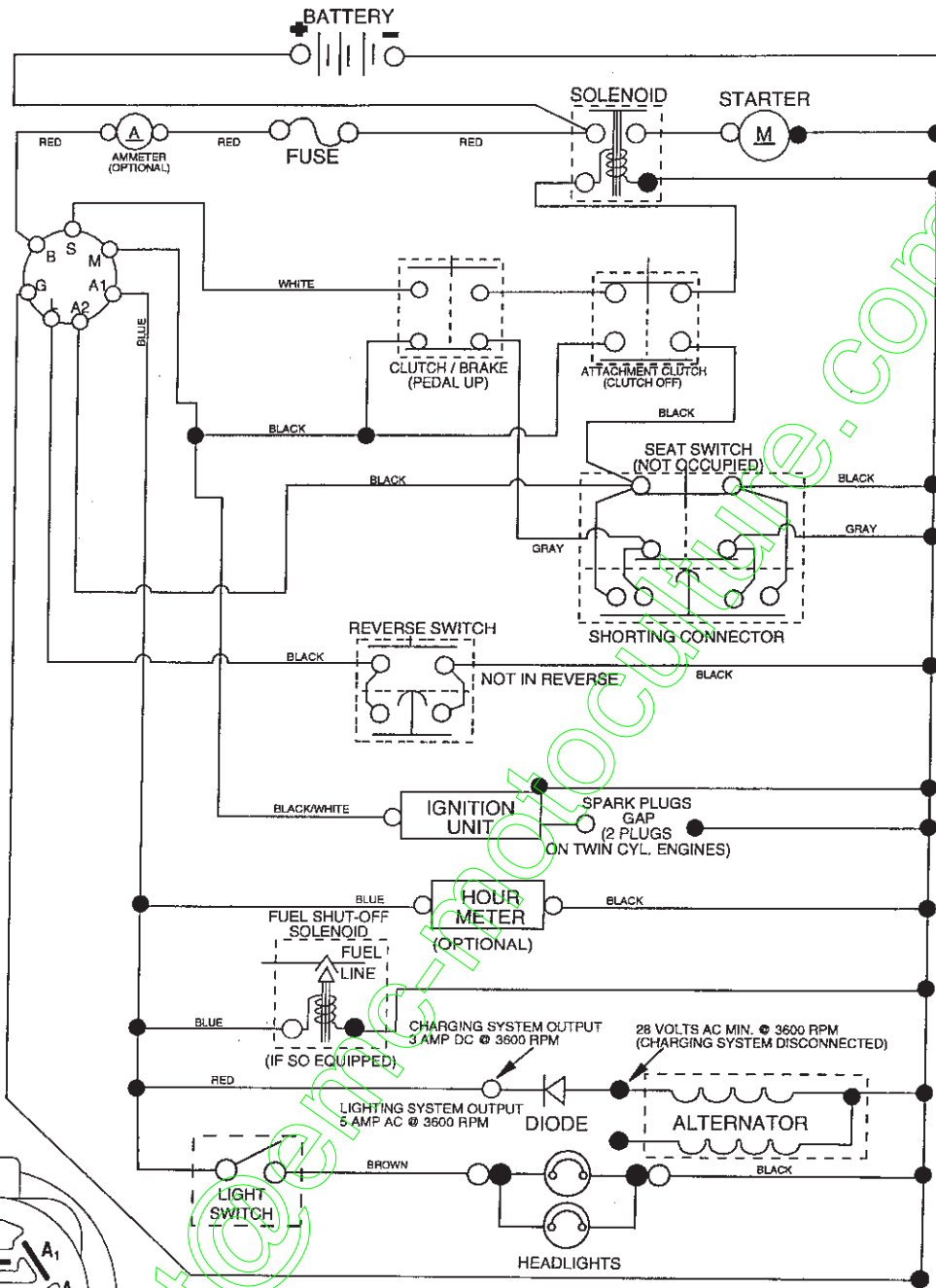
ELECTRICAL



TRACTOR- -MODEL NO. 917. 274250

SCHEMATIC

03059_197428



IGNITION SWITCH

POSITION	CIRCUIT "MAKE"
OFF	M+G+A1
RUN/OVERRIDE	B+A1
RUN	B+A1 L+A2
START	B + S + A1

03059

NOTE

YOUR TRACTOR IS EQUIPPED WITH A SPECIAL ALTERNATOR SYSTEM. THE LIGHTS ARE NOT CONNECTED TO THE BATTERY, BUT HAVE THEIR OWN ELECTRICAL SOURCE. BECAUSE OF THIS, THE BRIGHTNESS OF THE LIGHTS WILL CHANGE WITH ENGINE SPEED. AT IDLE THE LIGHTS WILL DIM. AS THE ENGINE IS SPEEDED UP, THE LIGHTS WILL BECOME THEIR BRIGHTEST.



WIRING INSULATED CLIPS

NOTE: IF WIRING INSULATED CLIPS WERE REMOVED FOR SERVICING OF UNIT, THEY SHOULD BE REPLACED TO PROPERLY SECURE YOUR WIRING.

REPAIR PARTS

TRACTOR- -MODEL NO. 917. 274250

ELECTRICAL

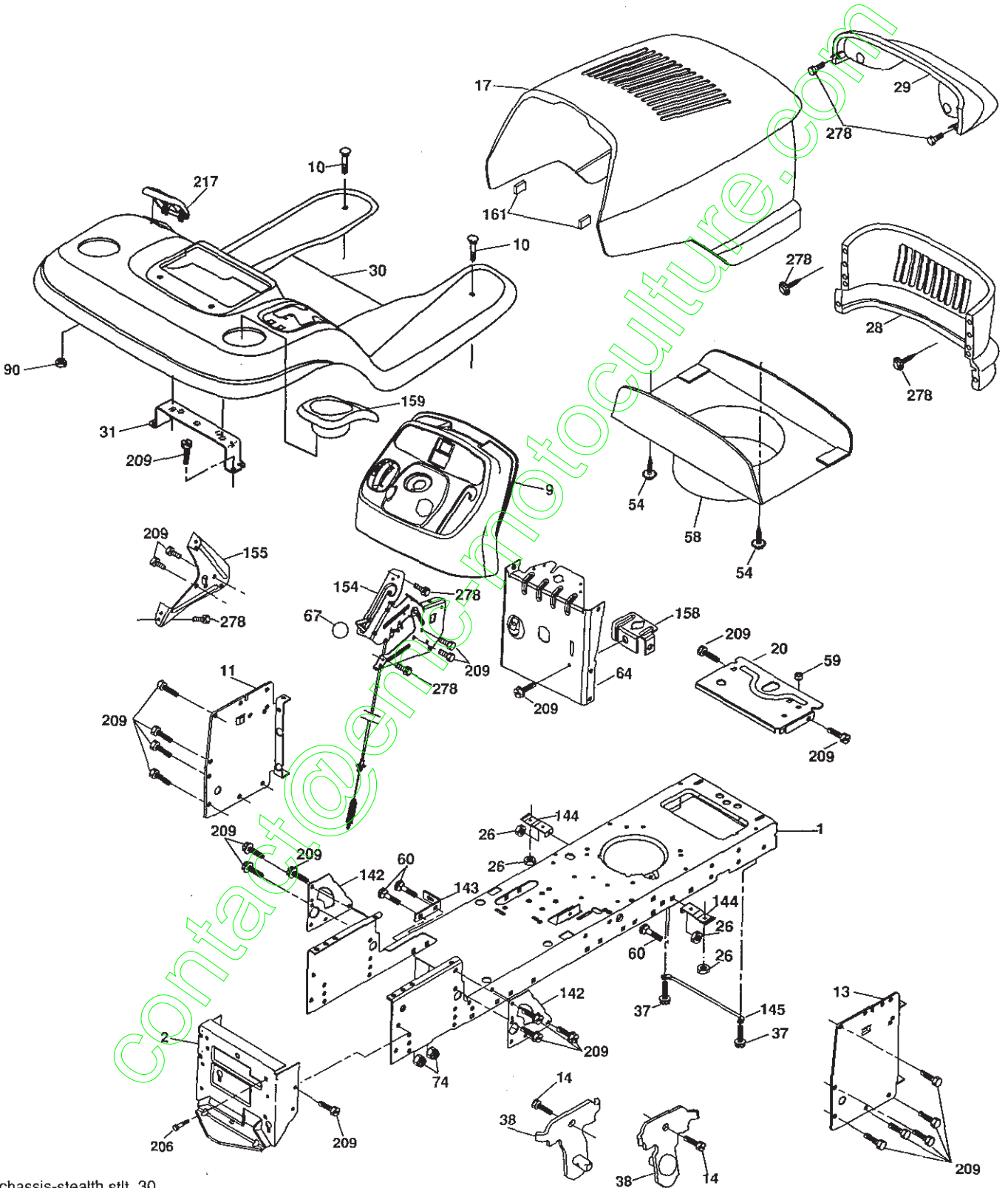
KEY NO.	PART NO.	DESCRIPTION
1	144927	Battery
2	74760412	Bolt Hex Hd 1/4-20 unc x 3/4
8	7603J	Battery Tray
10	145211	Bolt Battery 1/4-20 x 7.5
11	150109	Holddown Battery
12	145769	Nut Push 1/4"
16	176138	Switch, Interlock
21	175688	Harness Asm Light W/4152j
22	4152J	Bulb Light #1156
24	8860R	Cable Battery
25	146148	Cable Battery
26	175158	Fuse
27	73510400	Nut Keps Hex 1/4-20 unc
28	145491	Cable Ground 6 Ga. 12" black
29	192749	Switch Seat
30	193350	Switch Ign
33	140403	Key Ign
34	110712X	Switch Light
40	197441	Harness Ign
41	17720408	Screw 1/4-20 x 1/2
42	131563	Cover Terminal Red
43	192507	Solenoid
45	121433X	Ammeter
52	141940	Protection Wire Loop
55	17490508	Screw 5/16-18 x 1/2
79	175242	Socket Asm Bulb
92	196615	Harness Pigtail Console ROS
93	192540	Screw Plastic 10-14 x 2.0
94	191834	Module Reverse ROS

NOTE: All component dimensions given in U.S. inches
1 inch = 25.4 mm

REPAIR PARTS

TRACTOR- -MODEL NO. 917. 274250

CHASSIS AND ENCLOSURES



chassis-stealth.stlt_30

REPAIR PARTS

TRACTOR- -MODEL NO. 917. 274250

CHASSIS AND ENCLOSURES

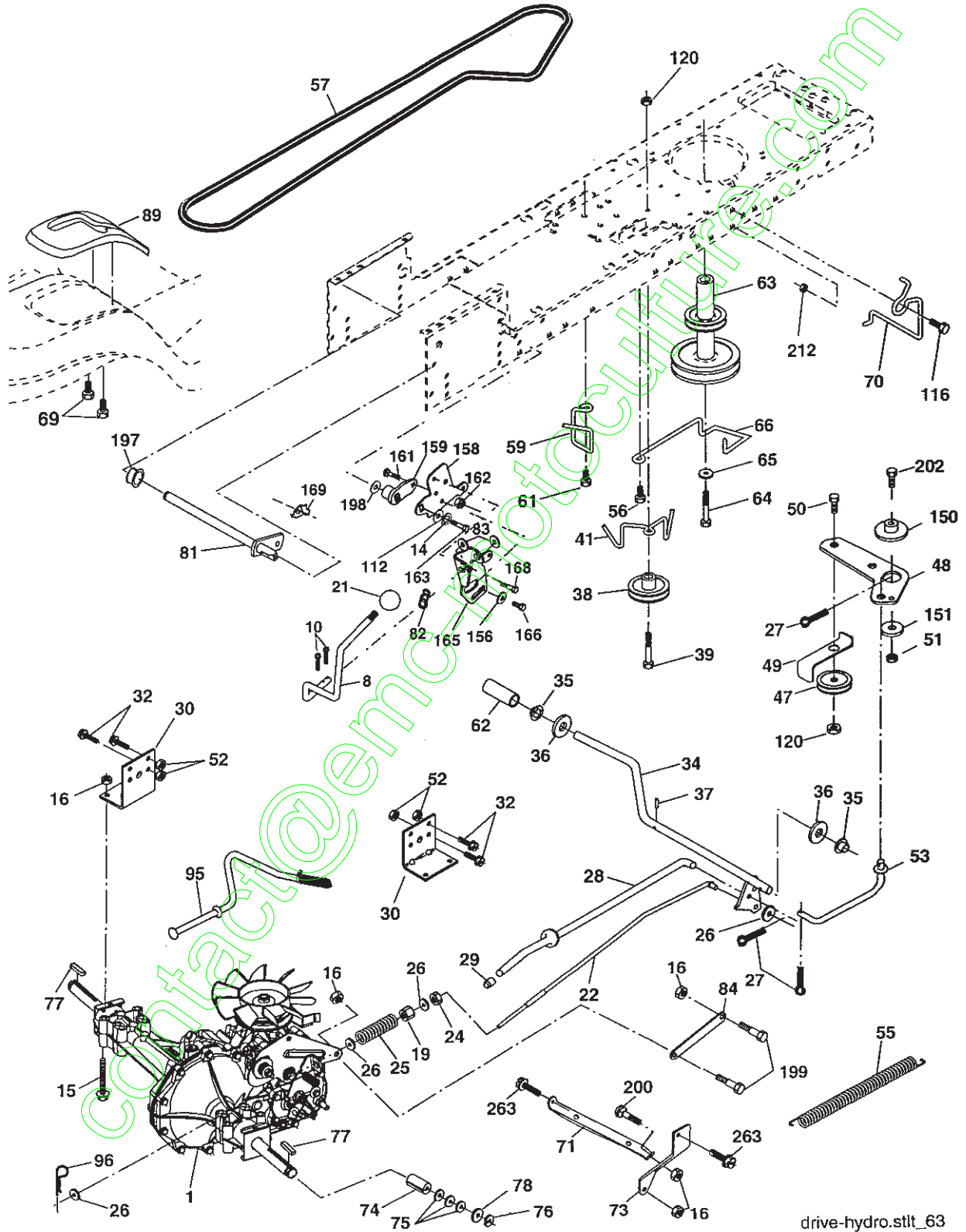
KEY NO.	PART NO.	DESCRIPTION
1	174619	Chassis
2	176554	Drawbar
9	193611X428	Dash
10	72140608	Bolt RDHD SQNK 3/8-16 x 1
11	167203	Panel, Dash, LH
13	188702X010	Panel, Dash, RH
14	17490608	Screw Thdrol 3/8-16 x 1/2
17	175260X615	Hood Assembly
20	162026	Plate Battery
26	STD541437	Locknut, Hex, with Insert 3/8-16 unc
28	174515X615	Grille
29	161840	Lens Bar
30	192395X615	Fender/Footrest
31	139976	Bracket, Fender/Support
37	17490508	Screw, Thdrol. 5/16-18 x 1/2 TYT
38	175710	Bracket Asm Pivot Mower Rear
54	192512	Screw Wshd Hex 10-32 x 5/8
58	175351	Duct Hood
59	187495	Bushing
60	STD533707	Bolt Rdhd Sqnk 3/8-16 unc x 3/4
64	174997	Dash Lower
67	106932X	Knob
74	STD541437	Nut Crownlock 3/8-16 unc
90	124346X	Nut
142	175702	Plate Reinforcement
143	186689	Bracket Swaybar Chassis
144	175582	Bracket Footrest
145	156524	Rod Pivot Chassis/Hood
154	192413	Clutch Asm Bracket
155	161900	Bracket Dash Lh
158	162037	Parking Brake Bkrt
159	191120X428	Cupholder
161	164655	Bumper
206	170165	Bolt Shoulder 5/16-18
209	17000612	Screw Hexwsh Thdr 3/8-16 x 3/4
217	179132X428	Console Fuel Window
278	191611	Screw 10 x 3/4 Single Lead Hex

NOTE: All component dimensions given in U.S. inches
1 inch = 25.4 mm

REPAIR PARTS

TRACTOR- -MODEL NO. 917. 274250

DRIVE



drive-hydro.stlt_63

REPAIR PARTS

TRACTOR- -MODEL NO. 917. 274250

DRIVE

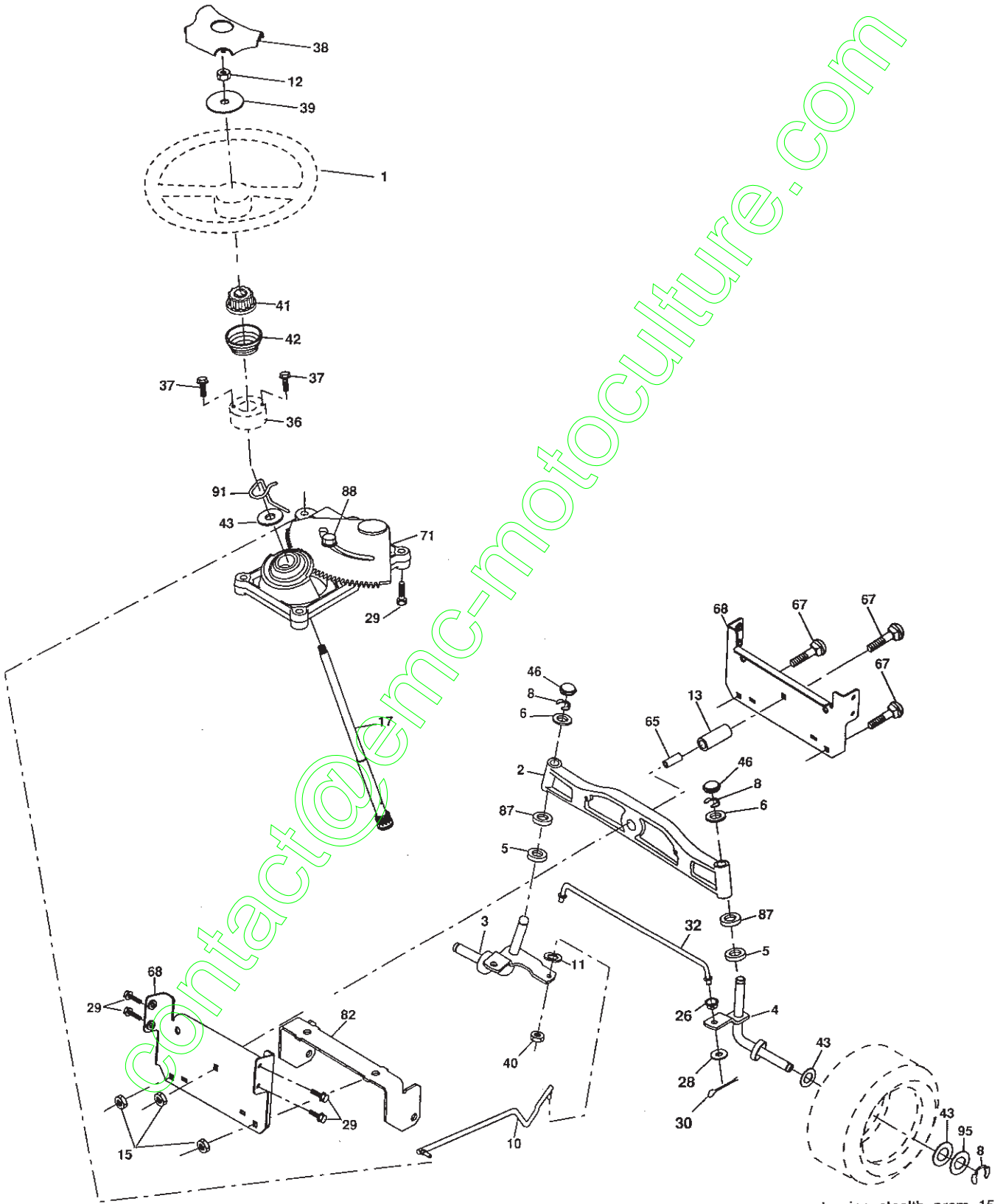
KEY NO.	PART NO.	DESCRIPTION	KEY NO.	PART NO.	DESCRIPTION
1	-----	Transmission (See Breakdown) Hydro Gear Model 314-0510	69	142432	Screw Hex Wsh Hi-Lo 1/4 x 1/2 unc
8	192502	Rod, Shift	70	180218	Guide, Belt, Mower Drive RH
10	STD561210	Pin, Cotter 1/8 x 1	71	169183	Strap, Torque, Lh
14	STD551125	Washer Lock 1/4	73	169182	Strap, Torque, Rh
15	74490544	Bolt Hex FlgHd 5/16-18 Gr. 5	74	137057	Spacer, Axle
16	73800500	Nut, Lock Hex w/Ins 5/16-18 unc	75	121749X	Washer 25/32 x 1-1/4 x 16 Ga.
19	73800600	Nut Lock Hex w/Ins 3/8-16	76	12000001	Ring, E
21	130564	Knob	77	123583X	Key, Square
22	169498	Rod, Brake	78	121748X	Washer 25/32 x 1-5/8 x 16 Ga.
24	73350600	Nut	81	165596	Shaft Asm Cross
25	106888X	Spring, Rod, Brake	82	165711	Spring, Torsion
26	19131316	Washer 13/32 x 13/16 x 16 Ga.	83	19171216	Washer 17/32 x 3/4 x 16 Ga.
27	STD561210	Pin, Cotter 1/8 x 3/4	84	169594	Link Transaxle
28	175765	Rod, Parking Brake	89	192387X428	Console, Shift
29	124236X	Cap, Parking Brake	95	170201	Control Asm Bypass Hydro
30	169592	Bracket, Transmission	96	STD624003	Spring, Retainer 1"
32	74760512	Bolt Hex 5/16-18 unc x 3/4	112	19091210	Washer 9/32 x 3/4 x 10 Ga.
34	175578	Shaft, Foot Pedal	116	72140608	Bolt Rdhd Sq Neck 3/8-16 x 1
35	120183X	Bearing, Nylon	120	73900600	Nut Lock Flg 3/8-16
36	19211616	Washer	150	175456	Spacer Retainer
37	1572H	Pin, Roll	151	19133210	Washer 13/32 x 2 x 10
38	179114	Pulley, Composite	156	166002	Washer 5/16 x 1.0 x 1.25
39	72110622	Bolt Rdhd 3/8-16 unc x 2-3/4 Gr. 5	158	165589	Bracket Shift Mount
41	175556	Keeper, Belt, Idler	159	183900	Hub Shift
47	127783	Pulley, Idler, V-Belt	161	72140406	Bolt Rdhd Sqnk 1/4-20 x 3/4 Gr. 5
48	154407	Bellcrank Clutch Grnd Drustl	162	73680400	Nut Crownlock 1/4-20 unc
49	123205X	Retainer, Belt	163	74780416	Bolt Hex Fin 1/4-20 x 1
50	72110612	Bolt	165	165623	Bracket Pivot Lever
51	STD541437	Nut Crownlock 3/8-16 unc	166	17490510	Screw 5/16-18 x 5/8
52	STD541431	Nut Crownlock 5/16-18	168	165492	Bolt Shoulder 5/16-18 x .561
53	199652	Link, Clutch	169	165580	Plate Fastener Cross Shaft
55	105709X	Spring, Return, Clutch	197	169613	Nyliner Snap-In
56	17060620	Screw 3/8-16 x 1 1/4	198	169593	Washer Nyliner
57	140294	V-Belt, Drive	199	169612	Bolt Shoulder 5/16-18 unc
59	169691	Keeper, Belt, Center	200	72140508	Bolt RdHd Sqnk 5/16-18 unc x 1
61	17120614	Screw 3/8-16 x .875	202	72110614	Bolt Carr. Sh 3/8-16 x 1-3/4 Gr. 5
62	123533X	Cover, Pedal	212	145212	Nut Hex Flange Lock
63	180219	Pulley, Engine	263	17000612	Screw 3/8-16 x 3/4
64	173937	Bolt Hex 7/16-20 x 4 Gr. 5-1.5 Thr			
65	10040700	Washer			
66	154778	Keeper, Belt Engine Hydro			

NOTE: All component dimensions given in U.S. inches
1 inch = 25.4 mm

REPAIR PARTS

TRACTOR- -MODEL NO. 917. 274250

STEERING ASSEMBLY



steering_stealth_prem_15

REPAIR PARTS

TRACTOR- -MODEL NO. 917. 274250

STEERING ASSEMBLY

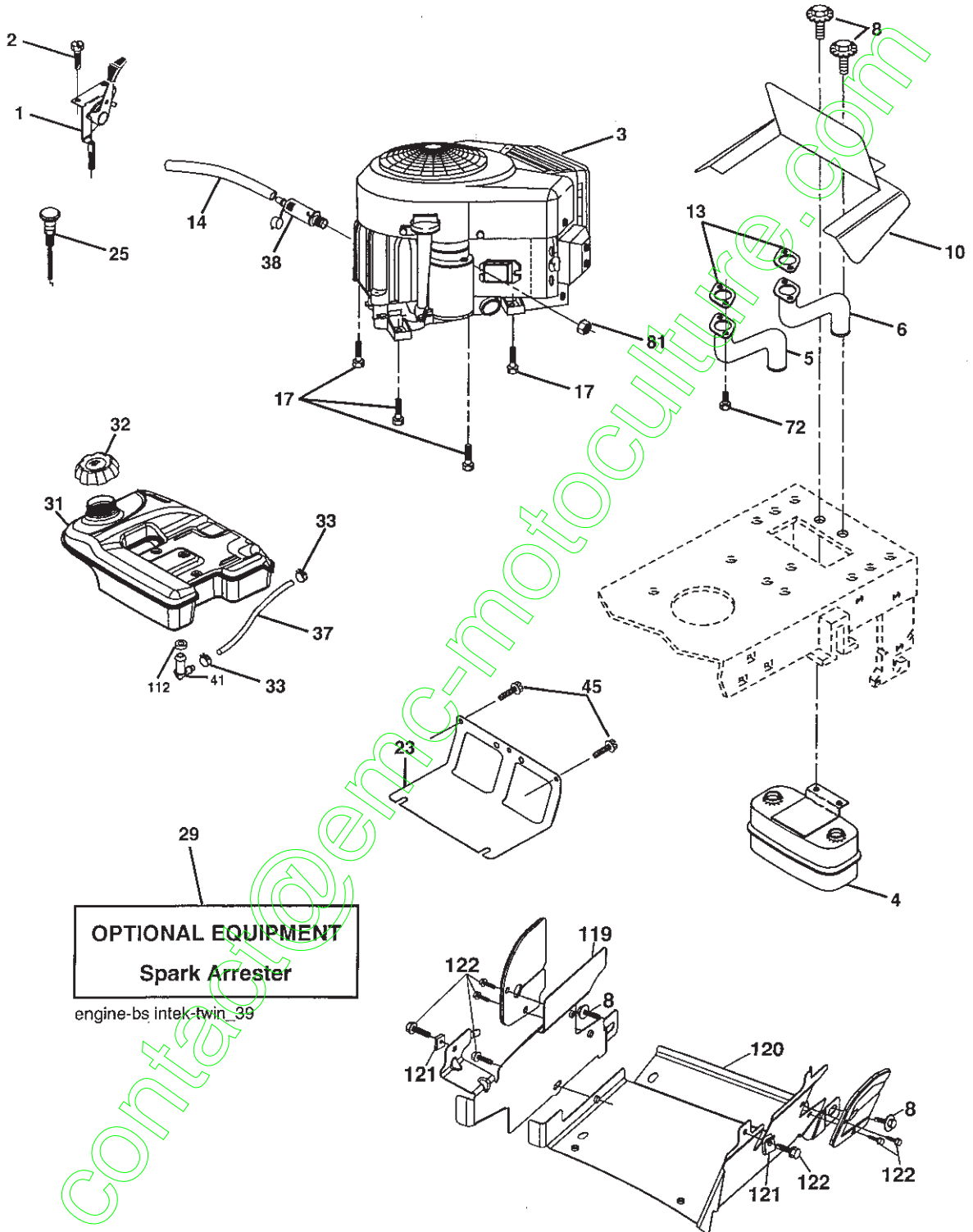
KEY NO.	PART NO.	DESCRIPTION
1	186093X428	Steering Wheel
2	184706	Axle Assembly
3	169840	Spindle Assembly, L.H.
4	169839	Spindle Assembly, R.H.
5	6266H	Washer Thrust
6	121748X	Washer 25/32 x 1-5/8 x 16 Ga.
7	19272016	Washer 27/32 x 1-1/4 x 16 Ga.
8	12000029	Ring, Klip
9	3366R	Bearing Col.
10	175121	Draglink
11	STD551137	Washer, Lock
12	73940800	Nut Hex Jam Toplock 1/5-20 unf
13	136518	Spacer Bearing Axle Front
15	145212	Nut, Hex Flange Lock
17	177883	Shaft, Steering
26	126847X	Bushing, Link, Drag
28	19131416	Washer 13/32 x 7/8 x 16 Ga.
29	17000612	Screw 3/8-16 x 3/4
30	STD561210	Pin Cotter
32	192757	Rod, Tie
36	155105	Bushing, Steering
37	152927	Screw
38	186095X428	Insert, Steering Wheel
39	19183812	Washer 9/16 x 2-3/8 12 Ga.
40	73540600	Nut Crownlock 3/8-24
41	186737	Adaptor, Steering Wheel
42	163888X428	Boot, Steering Shaft
43	121749X	Washer 25/32 x 1-1/4 x 16 Ga.
46	184946X505	Cap, Spindle
65	160367	Spacer Brace Axle
67	72110618	Bolt RDHD Sqnk 3/8-16 x 2-1/4
68	169827	Axle, Brace
71	175146	Steering Asm.
82	199978	Bracket Susp. Chassis Front
87	173966	Washer Flat
88	175118	Bolt Shoulder 7/16-20 unc
91	175553	Clip Steering
95	188967	Washer Hardened

NOTE: All component dimensions given in U.S. inches
1 inch = 25.4 mm

REPAIR PARTS

TRACTOR- -MODEL NO. 917. 274250

ENGINE



REPAIR PARTS

TRACTOR- -MODEL NO. 917. 274250

ENGINE

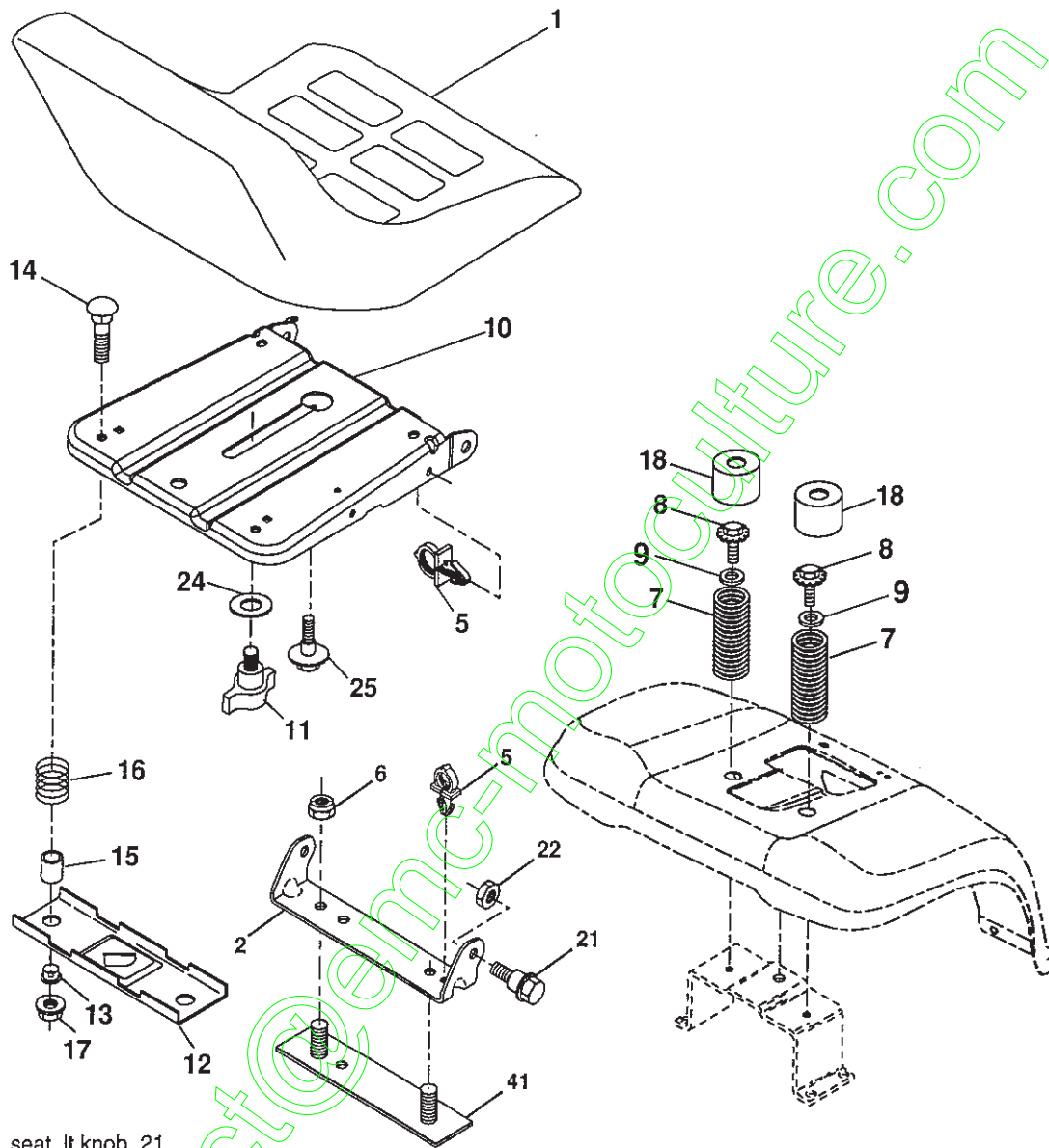
KEY NO.	PART NO.	DESCRIPTION
1	175437X505	Control, Throttle/Choke
2	191611	Screw, Hex Head, Thread Cutting 1/4-20 x 1/2
3	-----	Engine, Briggs Model 441777-0651-B1
4	149723	Muffler
5	159955	Exhaust Tube RH
6	160589	Exhaust Tube LH
8	171877	Bolt 5/16-18 UNC x 3/4 w/Sems
10	162797	Shield, Browning
13	165391	Gasket
14	148456	Tube Drain Oil Easy
17	17060624	Screw 3/8-16 x 1-1/4
23	169837	Shield Brn/Dbr Guard
25	187767X505	Control Choke
29	137180	Arrestor, Spark
31	179022	Tank, Fuel
32	179124X428	Cap Assembly, Fuel Sears, Vented
33	123487X	Clamp, Hose
37	8543R	Fuel Line
38	181654	Plug Drain Oil Easy
41	139277	Stem Tank Fuel
45	17000612	Screw Hxwsh Thdr 3/8-16 x 3/4
72	183906	Screw Socket Head 5/16-18 x 1
81	73510400	Nut Keps Hex 1/4-20
112	3645J	Bushing
119	400595	Guard Asm. Engine LH
120	400594	Guard Asm. Engine RH
121	196688	Clip Threaded
122	137729	Screw Thd Roll 1/4-20 x 5/8
123	17060508	Screw Thd Roll 5/16-18 x 1/2

NOTE: All component dimensions given in U.S. inches
1 inch = 25.4 mm

REPAIR PARTS

TRACTOR- -MODEL NO. 917. 274250

SEAT ASSEMBLY



seat_lt.knob_21

KEY NO.	PART NO.	DESCRIPTION
1	188714	Seat
2	140551	Bracket Pnt Pivot Seat (blk)
5	145006	Clip Push In Hinged
6	STD541437	Nut Hex Lock w/Ins 3/8-16 unc
7	124181X	Spring Seat Cprsn 2 250 Blk Zi
8	17000616	Screw 3/8-16 x 1
9	19131614	Washer 13/32 x 1 x 14 Ga.
10	195530	Pan Pnt Seat (blk)
11	166369	Knob Seat Adj Wingnut
12	174648	Bracket Pnt Mounting Switch
13	121248X	Bushing Snap Blk Nyl 50 Id
14	72050412	Bolt Rdhd Sht Nk 1/4-20 x 1-1/2

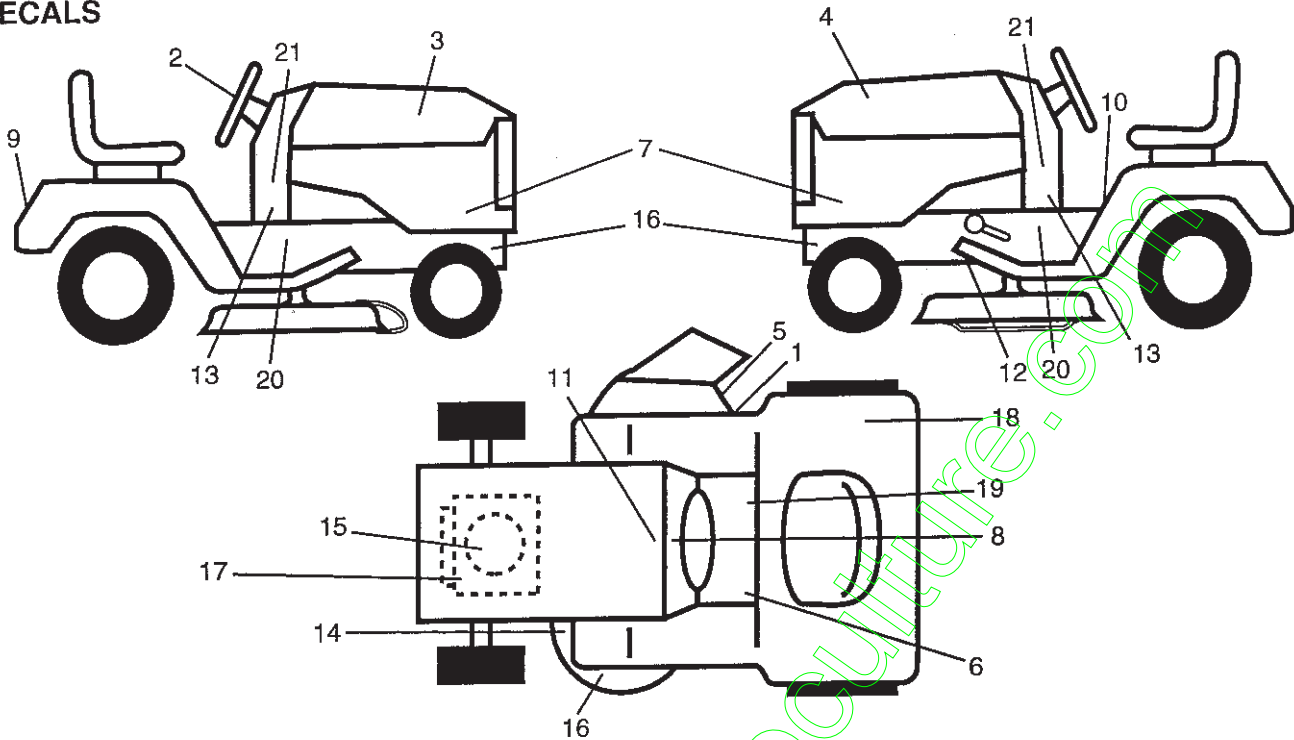
KEY NO.	PART NO.	DESCRIPTION
15	121249X	Spacer Split
16	123740	Spring Cprsn
17	123976X	Nut Lock 1/4 Lge Flg Gr. 5 Zinc
18	124238X	Cap Spring
21	171852	Bolt Shoulder 5/16-18 unc-2A
22	STD541431	Nut Hex Lock w/Ins 5/16-18
24	19171912	Washer 17/32 x 1-3/16 x 12 Ga.
25	127018X	Bolt Shoulder 5/16-18 x .62
41	140675	Strap Asm Fender

NOTE: All component dimensions given in U.S. inches
1 inch = 25.4 mm

REPAIR PARTS

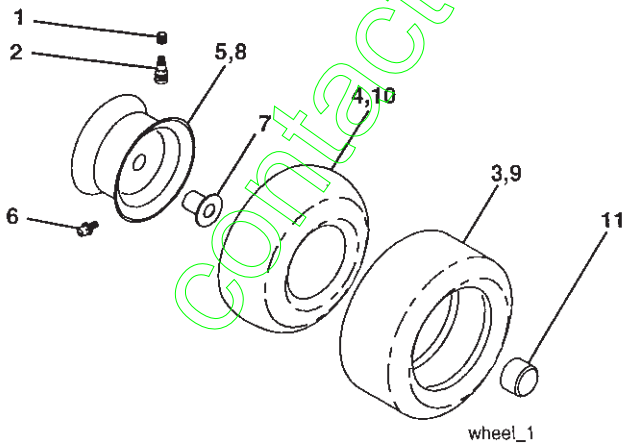
TRACTOR- -MODEL NO. 917. 274250

DECALS



KEY NO.	PART NO.	DESCRIPTION	KEY NO.	PART NO.	DESCRIPTION
1	196357	Decal, Warning	15	196841	Decal, Engine Warn/Sym
2	164065	Decal, Steering Wheel	16	159736	Decal, Hot Muffler
3	194023	Decal, Hood, R.H.	17	404807	Decal, Engine HP
4	194024	Decal, Hood, L.H.	18	180432	Decal, Fender DB/CE
5	182166	Decal, Cut Finger	19	140837	Decal, Parking Brake
6	159737	Decal, Brake Clutch	20	401146	Decal, Warning Service/Fire
7	404777	Decal, Hood Side	21	404752	Decal, Chassis
8	196347	Decal, Dash	--	138311	Decal, Lift Handle
9	403259	Decal, Fender, Craftsman	--	166960	Decal, By-Pass
10	400389	Decal, Fender Danger	--	162598	Decal Load Limit
11	145005	Decal, Battery Dngr/Psn Eng	--	184310X428	Pad, Footrest LH STL
12	197490	Decal, V-Belt Drive Schematic	--	184311X428	Pad, Footrest RH STL
13	404752	Decal, Dash Panel	--	404895	Manual, Operator's Euro
14	160396	Decal, V-Belt Schematic	--	404896	Manual, Parts

WHEELS & TIRES



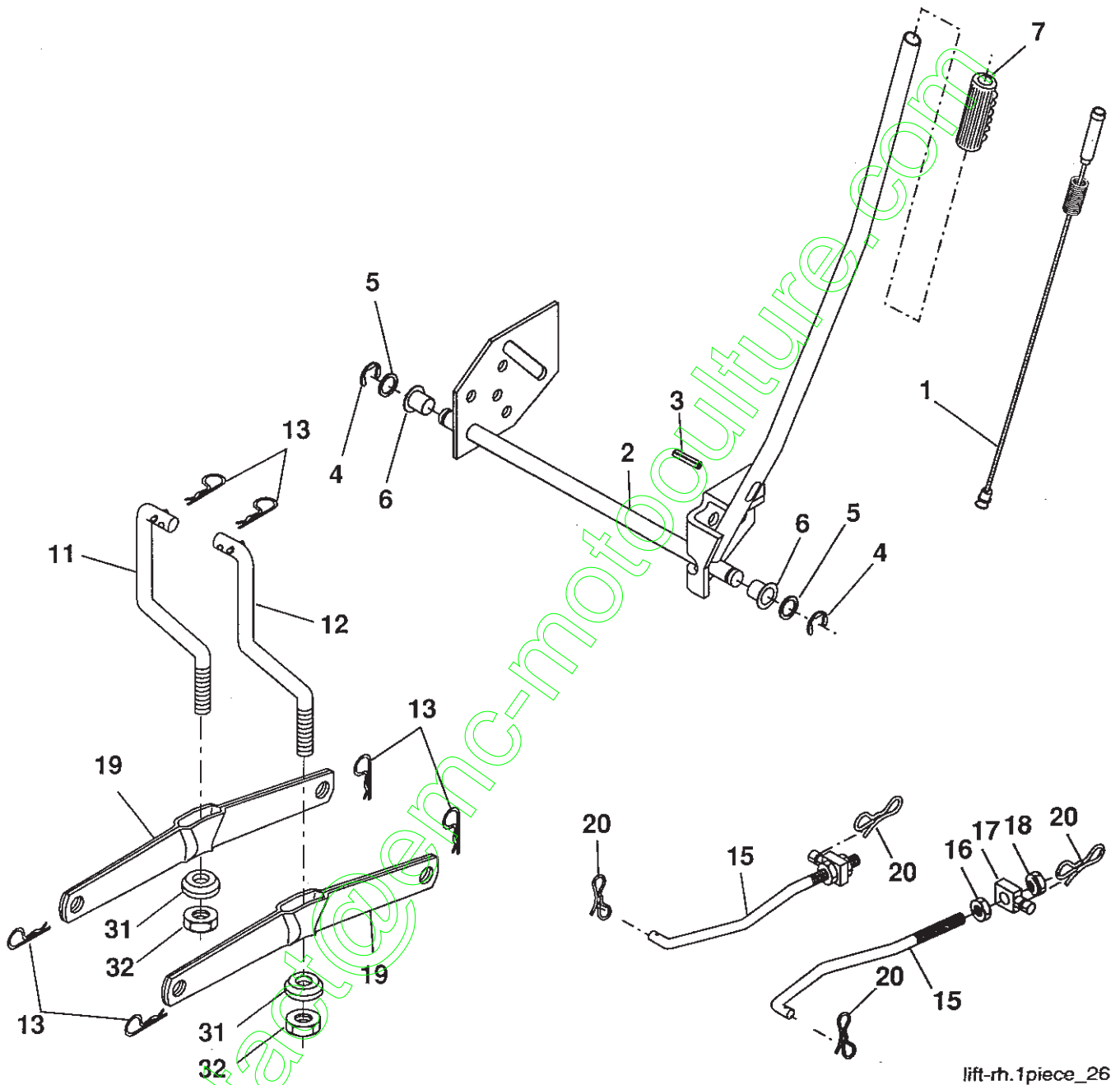
KEY NO.	PART NO.	DESCRIPTION
1	59192	Cap Valve Tire
2	65139	Stem Valve
3	106222X	Tire F Ts 15 x 6.0 - 6 Service
4	59904	Tube Inner Front #35060
5	106732X643	Rim Asm 6" front Service
6	278H	Fitting Grease
7	9040H	Bearing Flange
8	106108X643	Rim Asm 8" rear Service
9	122082X	Tire R Ts 20 x 10-8 Service
10	7152J	Tube Rear 9.5 x 8 Service
11	104757X643	Cap Axle Blk 1.50 x 1.00
--	144334	Sealant, Tire (10 oz. tube)

NOTE: All component dimensions given in U.S. inches
1 inch = 25.4 mm

REPAIR PARTS

TRACTOR- -MODEL NO. 917. 274250

MOWER LIFT



lift-rh.1piece_26

REPAIR PARTS

TRACTOR- -MODEL NO. 917. 274250

MOWER LIFT

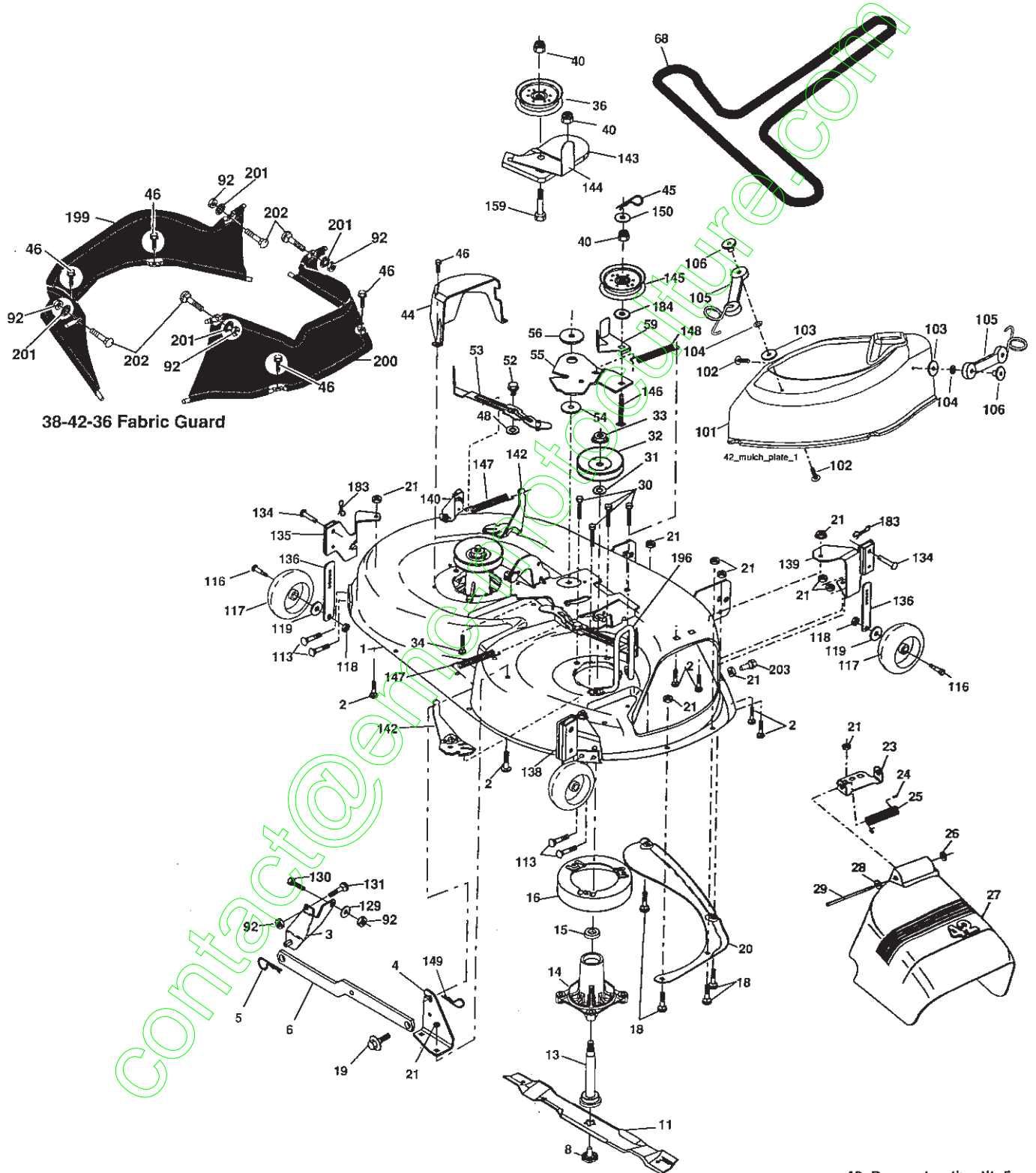
KEY NO.	PART NO.	DESCRIPTION
1	197980	Plunger Asm.
2	198070	Shaft Asm. Lift
3	188822	Pin Groove
4	12000002	E Ring #5133-62
5	19211621	Washer 21/32 x 1 x 21 Ga.
6	120183X	Bearing Nylon
7	175830	Grip Handle
11	139865	Link Asm Lift L.H.
12	139866	Link Asm Lift R.H.
13	STD624008	Retainer Spring
15	173288	Link Front
16	73350800	Nut Jam Hex 1/2-13 unc
17	175689	Trunnion Blk Zinc
18	73800800	Nut Lock w/Wsh 1/2-13 unc
19	139868	Arm Suspension Mower
20	194209	Pin Cotter 7/16 Bow Tie Lock
31	169865	Bearing, Pvt. Lift
32	73540600	Nut Crownlock 3/8-24

NOTE: All component dimensions given in U.S. inches
1 inch = 25.4 mm

REPAIR PARTS

TRACTOR- -MODEL NO. 917. 274250

MOWER



42_D_man-t-path_stlt_5

REPAIR PARTS

TRACTOR- -MODEL NO. 917. 274250

MOWER

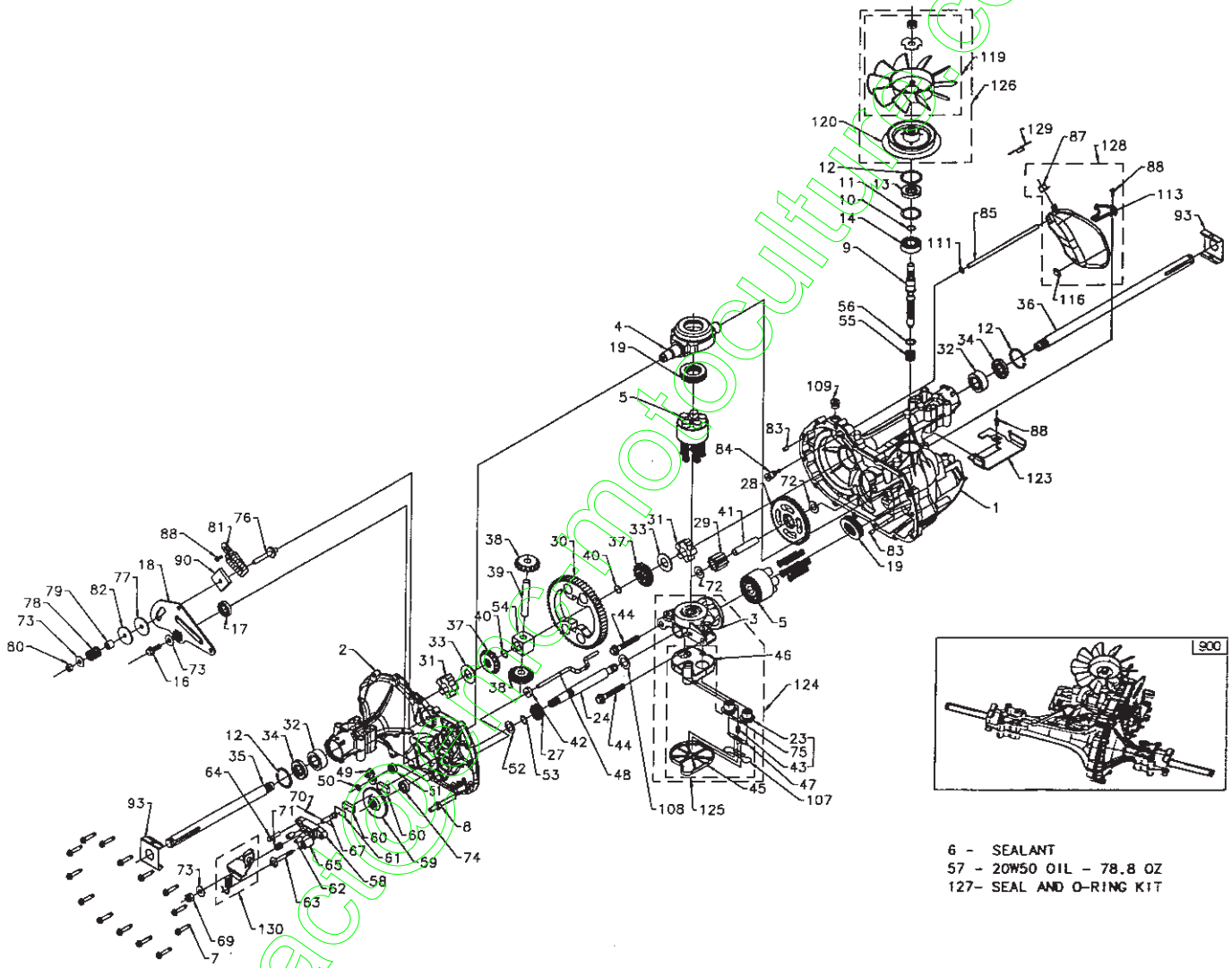
KEY NO.	PART NO.	DESCRIPTION	KEY NO.	PART NO.	DESCRIPTION
1	182032	Mower Deck Assembly, 42"	102	71081010	Screw Phillips 10-24 x 5/8
2	STD533107	Bolt	103	19061216	Washer #10
3	138017	Bracket Assembly, Sway Bar, Front	104	10071000	Washer Lock #10
4	165460	Bracket Sway Bar 38/42" Deck	105	160793	Latch Asm.
5	STD624008	Retainer Spring	106	2029J	Nut Weld
6	178024	Bar Sway Deck	113	17000510	Bolt 5/16-18
8	193003	Nut Flange Lock Top (The following baldes are available)	116	4898H	Bolt Shoulder
11	134149	Blade, 42" Mulching Std (For mulching mowers only)	117	188606	Wheel Gauge
13	192872	Shaft Assembly, Mandrel	118	73930600	Nut Lock 3/8-16 unc
14	187281	Housing, Mandrel	119	19121414	Washer 3/8 x 7/8 x 14
15	110485X	Bearing, Ball, Mandrel	129	19131312	Washer 13/32 x 13/16 x 12Ga.
16	174493	Stripper, Vented Mower Deck	130	74780616	Bolt Fin Hex 3/8-16 unc x 1 Gr.5
18	72140505	Bolt, Carriage 5/16-18 x 5/8	131	72140608	Bolt 3/8-16 unc x 1
19	132827	Bolt, Shoulder	134	156941	Pin Head Rivet
20	159770	Baffle, Vortex	135	159765	Bracket Asm Wheel Ga Rear LH
21	73680500	Nut 5/16-18	136	155986	Bar Adjusting Gauge Wheel
23	177563	Bracket, Deflector	138	159763	Bracket Asm Wheel Ga Rear RH
24	105304X	Cap, Sleeve	139	159767	Bracket Asm Wheel Ga Front RH
25	123713X	Spring, Torsion, Deflector	140	159768	Bracket Asm Wheel Ga Front LH
26	110452X	Nut, Push	142	195784	Anchor Spring Brake Mower
27	400603X428	Shield, Deflector	143	157109	Bracket Arm Idler 42"
28	19111016	Washer 11/32 x 5/8 x 16 Ga.	144	158634	Keeper Belt 42" Clutch Cable
29	131491	Rod, Hinge	145	165888	Pulley Idler Flat
30	173984	Screw Thdrol Washer Head	146	171977	Bolt Carriage Idler
31	187690	Washer, Spacer	147	179748	Spring Extension
32	153535	Pulley, Mandrel	148	169022	Spring Return Idler
33	400234	Nut, Toplock, Flanged	149	165898	Retainer Spring Yellow Zinc
34	72110612	Bolt Carr. Sh. 3/8-16 x 1-1/2 Gr. 5	150	19091210	Washer 9/32 x 3/4 x 10 Ga.
36	131494	Pulley, Idler, Flat	159	72140614	Bolt Rdhd Sqn 3/8-16 unc x 3/4
40	73900600	Nut Lock 3/8-16 unc	183	194208	Pin Cotter 5/16 Bowtie Lock
44	140088	Guard, Mandrel, L.H.	184	19131410	Washer 13/13 x 7/8 x 10 Ga.
45	STD624003	Retainer	196	401119	Guard Mandrel RH
46	137729	Screw, Thd. Roll 1/4-20 x 5/8	199	400278	Guard Asm. Fabric LH
48	133944	Washer, Hardened	200	400279	Guard Asm. Fabric RH
52	139888	Bolt, Shoulder 5/16-18 unc	201	401220	Push Nut Round 3/8 Dia.
53	184907	Arm Assembly, Pad, Brake	202	72110608	Bolt 3/8-16 x 1 Gr. 5
54	178515	Washer, Hardened	203	197262	Bolt Shoulder
55	155046	Arm, Idler	--	192870	Mandrel Assembly (Includes Housing, Shaft and Shaft Hardware Only - Pulley Not Included)
56	165723	Spacer, Retainer	--	402854	Replacement Mower, Complete
59	141043	Guard, TUV Idler			
68	180215	V-Belt			
92	73800600	Nut Lock 3/8-16 unc			
101	193107	Mulching Cover			

NOTE: All component dimensions given in U.S. inches
1 inch = 25.4 mm

REPAIR PARTS

TRACTOR- -MODEL NO. 917. 274250

HYDRO TRANSAXLE - MODEL NUMBER 314-0510



- 6 - SEALANT
- 57 - 20W50 OIL - 78.8 OZ
- 127- SEAL AND O-RING KIT

REPAIR PARTS

TRACTOR- -MODEL NO. 917. 274250

HYDRO TRANSAXLE - MODEL NUMBER 314-0510

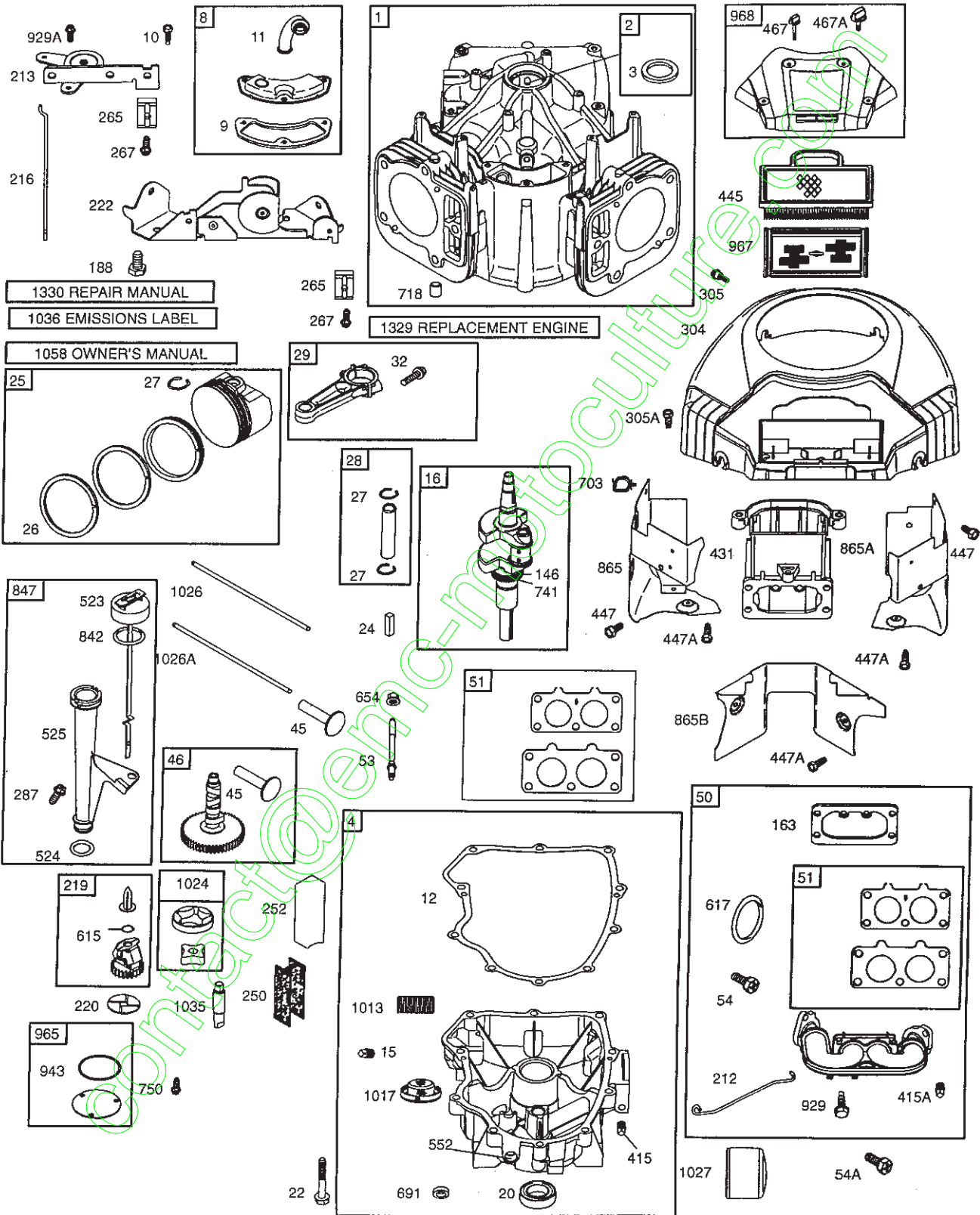
KEY NO.	PART NO.	DESCRIPTION	KEY NO.	PART NO.	DESCRIPTION
1	170351	Kit, Main Housing Main Housing, Machined Bushing .865 X .985 X .790	71	170417	Brake Spring
2	170352	Kit, Side Housing Side Housing, Machined Bushing .865 X .985 X .790 Bushing .624 X .719 X .562	72	170418	Washer (310-0750)
3	170353	Kit, Center Section Center Section, Machined Bushing .707 X .788 X .591	73	142884	Washer, Flat
4	170354	Swashplate, Trunnion Machined	74	170419	Seal, Oil
5	169898	Kit, Cylinder Block (10cc) Block - Cylinder Piston Spring, Compression Washer Thrust	75	170420	Ass'y Check Plug
6	178322	Sealant Tube	76	170421	Bolt, Stud 5/16-24
7	170356	Hexflange Screw 1/4-20 X 1.25	77	170422	Puck, Friction
8	170357	Stud, 5/16-24 Hex Double End	78	142969	Spring
9	170358	Shaft, Input	79	142980	Spacer
10	170359	Retaining Ring	80	150778	Nut, Nylon Insert Hex Lock 5/16-24
11	170360	Spacer	81	170423	Wedge, Friction
12	169870	Retaining Ring	82	170424	Clip, Washer
13	170361	Seal, Lip .67 X 1.58 X .276	83	161168	Pin
14	173158	Bearing, Ball 6203 (BDR)	84	170425	Fitting, 5/16 X Sae 5/32 Tube
16	170362	Hex Flange Head Screw 1/4-20 X 1.25	85	170426	Hose, Expansion Tank
17	170363	Seal, Lip 18 X 32 X 7	87	173160	Cap, Vent
18	170364	Arm, Control	88	178334	Bolt, Self Tapping (BDR)
19	173159	Bearing, Thrust (10cc)	90	170430	Puck, Inner Wedge
23	170365	Check Plug Assembly	93	170431	Spring Clip, Housing
24	170366	Shaft Motor	107	170432	Deflector
27	170367	Gear, Pinion, 13t	108	170433	Washer, Motor Shaft .71ID X 1.15OD X .03 Thick
28	170368	10t / 48t Gear	109	170434	Plug, Straight Thread 9/16-18
29	170369	Gear, 10t Jackshaft	111	170435	O-ring .7 X .301 ID
30	170370	60t Bullgear	113	170437	Bracket, Support Expansion Tank
31	170371	Sleeve Bearing .75 X 1.75 X .625	119	191031	Kit, Fan - Washer - Nut Fan, 7 In
32	170389	Sleeve Bearing (Outboard) .75 X 1.575 X .625	120	188312	Hex Lock Nut 1/2-20 (Nylon insert)
33	142991	Washer	123	178800	Washer, Or Slotted, .53 X 1.63 X .06
34	170390	Lip Seal, Axle Shaft	124	170444	Pulley Belt Keeper
35	170391	Shaft, Axle (Keyed, R.h.)	125	170445	Kit, Center Section Filter Bypass Center Section Machining Base Filter W/ Poppet Check Plug Assembly, .027 Washer Check Plug Assembly, Washer Spring, Bypass Actuator, Bypass Deflector
36	170392	Shaft, Axle (Keyed, L.h.)	126	191028	Bottom, Filter Bushing, .707 X .788 X .591
37	150792	Gear, Splined Diff. (210-1000 & 310-0750)	127	170447	Kit, Seal Lip Seal .67 X 1.58 X .276 Lip Seal 18 X 32 X 7 Lip Seal .706 X 1.584 X .25 Lip Seal .741 X .250 X .250 Tc Oil Seal .625 X 1.0 X .25 O-ring .07 X .301 ID
38	150793	Gear, Miter Diff. (210-1000 & 310-0750)	128	173165	Kit, Expansion Tank Tank, Expansion Cap, Vent Bolt, Self Tapping 10-32 X 1/2 Bracket, Support Expansion Tank Silicon Sponge 1/2 X 1/2 X 3/16 Cap, Expansion Tank Shipping
39	150809	Differential Shaft (310-0750)	129	191032	Kit, Brake Arm And Spring
40	170393	Retaining Ring	130	186352	Arm, Brake Spring, Brake Arm Bias Instruction Sheet
41	170394	Pin, Jackshaft	900	166768	Transaxle
42	170395	Magnet, Ring			
43	170396	Spring, Bypass			
44	150797	Bolt 3/8-24 X 2-1/2			
45	170397	Filter			
46	170398	Base, Filter			
47	170399	Actuator, Bypass			
48	170400	Rod, Bypass Actuator			
49	170401	Arm, Bypass			
50	170402	Retaining Ring .25 External			
51	170403	Seal, Lip .741 X .25 X .25			
52	170404	Washer, Flat 0.050" (210-1000)			
53	170405	Retaining Ring			
54	170406	Bearing, Center Block			
55	142977	Spring, Helical Compression			
56	142978	Washer, Block Thrust			
57	-- --	20W-50 Oil			
58	142929	Kit, Brake Yoke			
59	170408	Rotor, Brake			
60	142883	Brake Puck			
61	142882	Brake Puck Plate			
62	170409	Pin, Brake Actuating			
63	170410	Flange 1/4-20 X 2 W/patch, Special Flange			
64	142892	Bolt, Nylok			
65	170411	Spacer, Brake Torsion Spring			
67	170413	Bolt, Square Head - Brake			
69	170415	Nut, Castle 5/16-24			
70	170416	Pin, Cotter 3/32x3/4			

NOTE: All component dimensions given in U.S. inches
1 inch = 25.4 mm

REPAIR PARTS

TRACTOR- -MODEL NO. 917. 274250

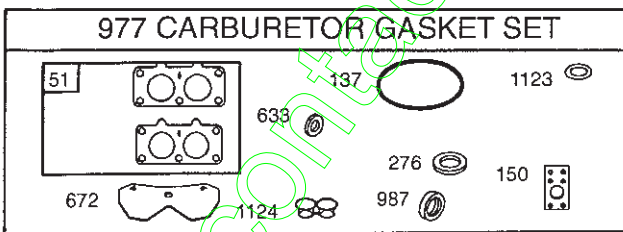
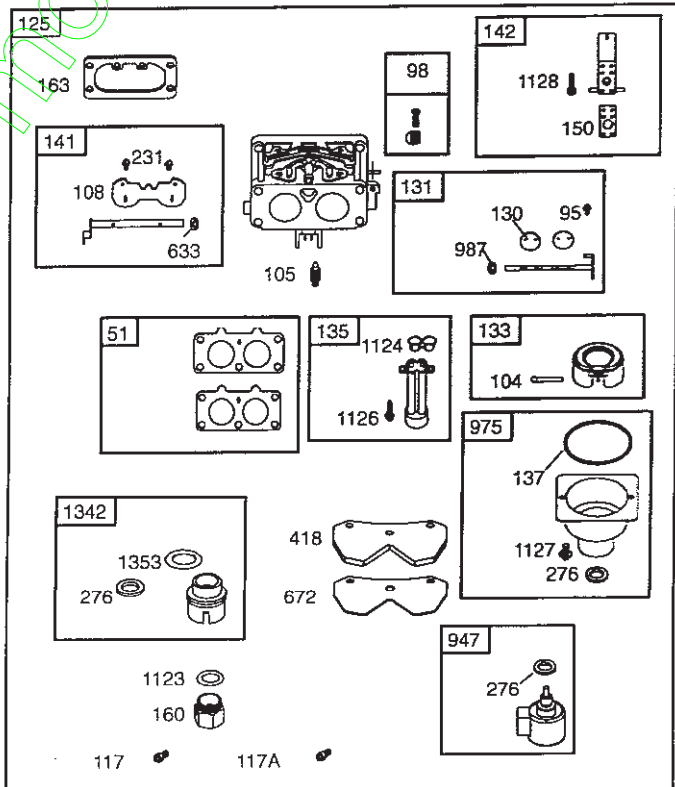
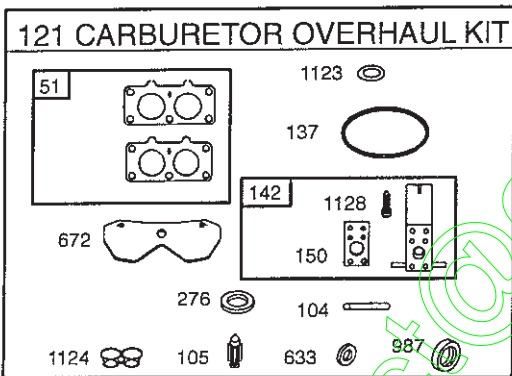
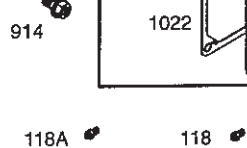
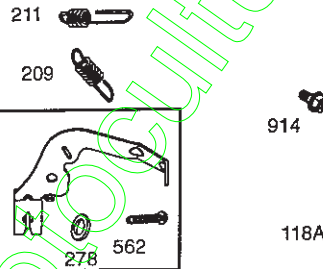
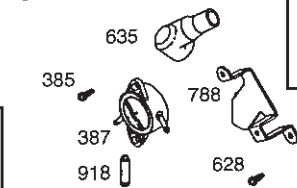
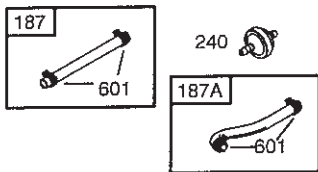
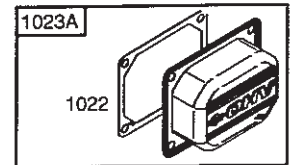
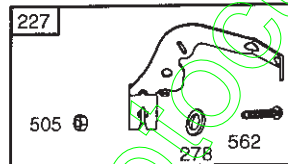
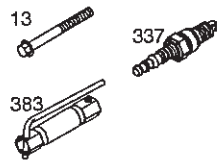
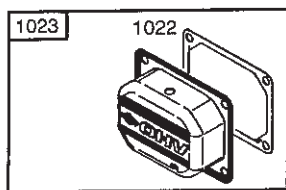
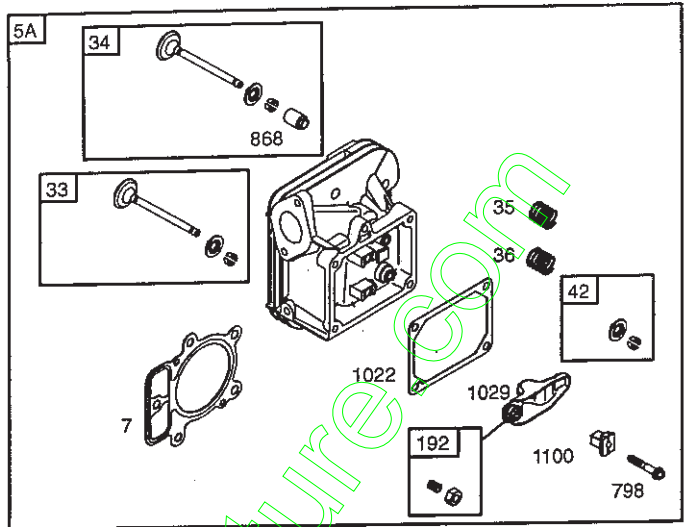
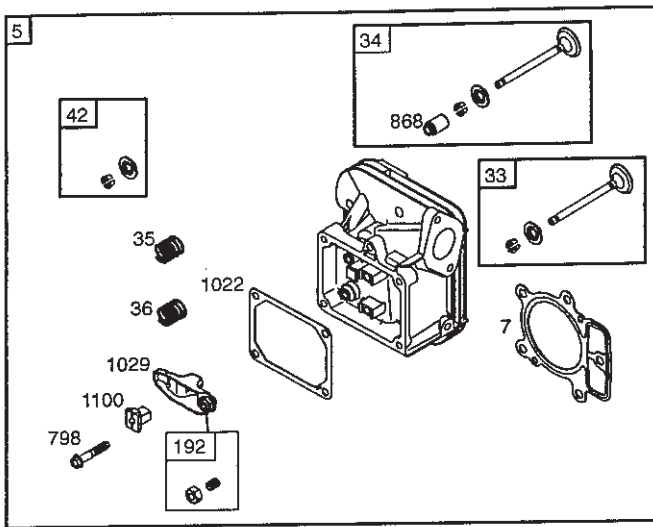
BRIGGS & STRATTON ENGINE - - MODEL NUMBER 441777, TYPE NUMBER 0651-B1



REPAIR PARTS

TRACTOR- -MODEL NO. 917. 274250

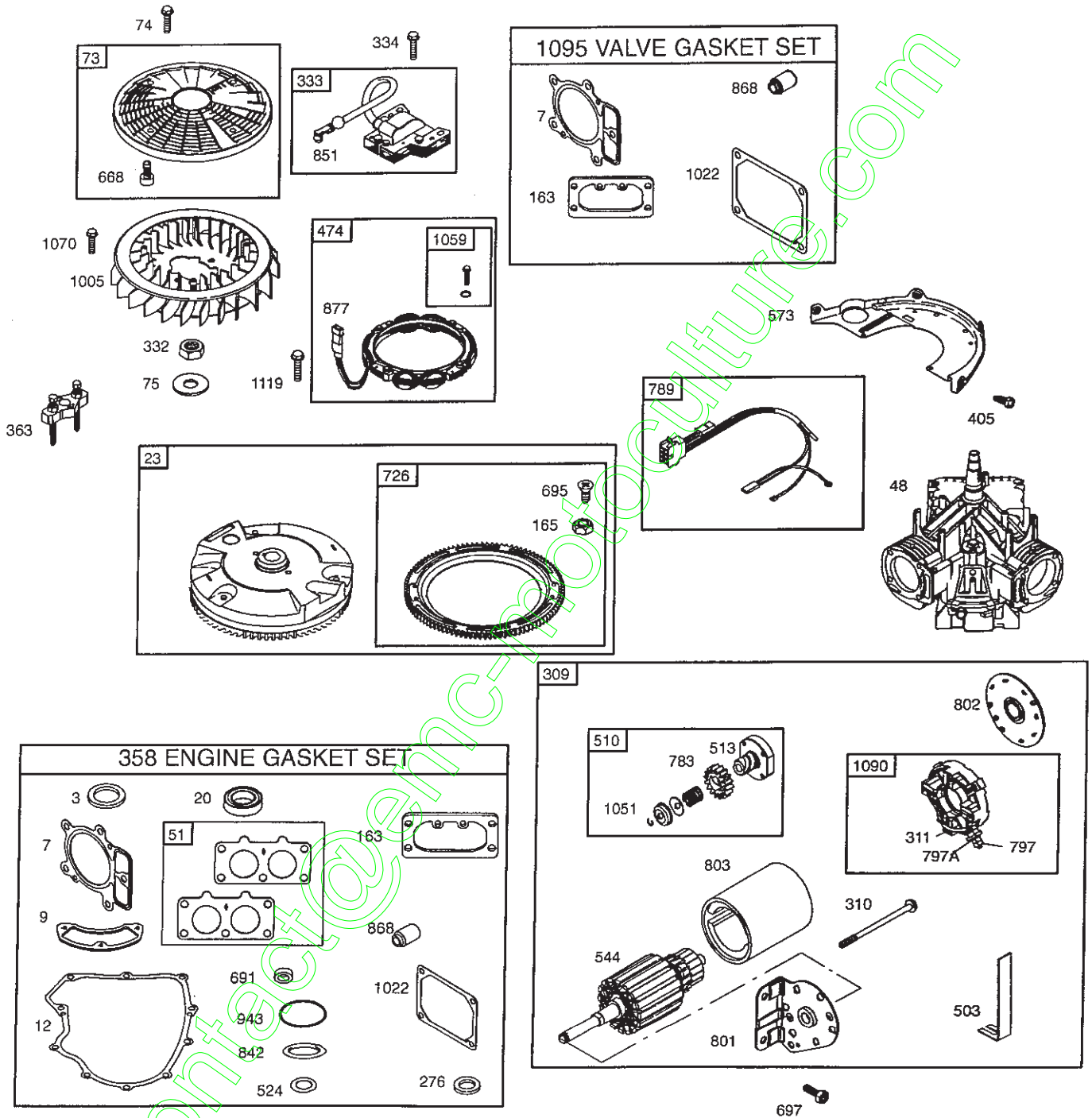
BRIGGS & STRATTON ENGINE - - MODEL NUMBER 441777, TYPE NUMBER 0651-B1



REPAIR PARTS

TRACTOR- -MODEL NO. 917. 274250

BRIGGS & STRATTON ENGINE - - MODEL NUMBER 441777, TYPE NUMBER 0651-B1



REPAIR PARTS

TRACTOR- -MODEL NO. 917. 274250

BRIGGS & STRATTON ENGINE - - MODEL NUMBER 441777, TYPE NUMBER 0651-B1

KEY NO.	PART NO.	DESCRIPTION	KEY NO.	PART NO.	DESCRIPTION
1	699753	Cylinder Assembly	130	690993	Valve-Throttle
2	499585	Kit-Bushing/Seal (Magneto Side)	131	499805	Kit-Throttle Shaft
3	391086s*	Seal-Oil (Magneto Side)	133	699724	Float-Carburetor
4	699747	Sump-Engine	135	699729	Tube-Fuel Transfer
5	693998	Head-Cylinder (Cylinder 1)	137	690994	Ø Gasket-Float Bowl
5A	693999	Head-Cylinder (Cylinder 2)	141	699722	Kit-Choke Shaft
7	693997	•+ Gasket-Cylinder Head	142	699726	Nozzle-Carburetor
8	792185	Breather Assembly	146	690979	Key-Timing
9	690937	• Gasket-Breather	150	690995	Gasket-Nozzle
10	691108	Screw (Breather Assembly)	160	699727	Retainer-Solenoid
11	792184	Tube-Breather	163	691001	Gasket-Air Cleaner
12	697227	• Gasket-Crankcase	165	693148	Nut (Ring Gear)
13	791130	Screw (Cylinder Head)	187	791766	Line-Fuel (Cut to Required Length)
15	690946	Plug-Oil Drain	187A	791801	Line-Fuel (Molded)
16	699700	Crankshaft	188	691108	Screw (Control Bracket)
20	690947	• Seal-Oil (PTO Side)	192	690083	Adjuster-Rocker Arm
22	694966	Screw (Engine Sump)	209	697674	Spring-Governor
23	691054	Flywheel	211	691019	Spring-Governed Idle
24	222698s	Key-Flywheel	212	695238	Link-Throttle
25	792117	Piston Assembly (Standard)	213	691021	Bracket-Choke Control
25	792144	Piston Assembly (.020" Oversize)	216	691022	Link-Choke
26	792026	Ring Set-Piston (Standard)	219	698231	Gear-Governor
26	792073	Ring Set-Piston (.020" Oversize)	220	690412	Washer (Governor Lever)
27	690975	Lock-Piston Pin	222	698757	Bracket-Control
28	690229	Pin-Piston	227	792492	Lever-Governor Control
29	699699	Rod-Connecting	231	690718	Screw (Choke Valve)
32	690976	Screw (Connecting Rod)	240	691035	Filter-Fuel
33	499596	Valve-Exhaust	250	690957	Retainer-Breather
34	697464	Valve-Intake	252	690956	Collector-Oil
35	690963	Spring-Valve (Intake)	265	691024	Clamp-Casing
36	690963	Spring-Valve (Exhaust)	267	695134	Screw (Casing Clamp)
42	499586	Keeper-Valve	276	690997	Ø+ Washer-Sealing
45	690977	Tappet-Valve	287	691108	Screw (Dipstick Tube)
46	790562	Camshaft	304	790688	Housing-Blower
48	698172	Short Block	305	691005	Screw (Blower Housing)
50	695241	Manifold-Intake	305A	790690	Screw (Blower Housing)
51	791677	• Ø‡ Gasket-Intake	309	497595	Motor-Starter
53	690951	Stud (Carburetor)	310	690323	Bolt-Starter Motor
54	699816	Screw (Intake Manifold)	311	497608	Brush Set
54A	695239	Screw (Intake Manifold)	332	691059	Nut (Flywheel)
73	499439	Screen-Rotating	333	691060	Armature-Magneto
74	698425	Screw (Rotating Screen)	334	691061	Screw (Magneto Armature)
75	691056	Washer (Flywheel)	337	691043	Plug-Spark
95	690718	Screw (Throttle Valve)			
98	699721	Kit-Idle Speed			
104	694918	Ø Pin-Float Hinge			
105	698537	Ø Valve-Float Needle			
108	699723	Valve-Choke			
117	699732	Jet-Main (Standard)			
117A	699733	Jet-Main (Standard)			
118	699733	Jet-Main (High Altitude)(Left)			
118A	699458	Jet-Main (High Altitude) (Right)			
121	699734	Kit-Carburetor Overhaul			
125	699709	Carburetor			
127	698810	Plug-Welch			

- Included in Engine Gasket Set, Key. No. 358
- Ø Included in Carburetor Overhaul Kit, Key. No. 121
- ‡ Included in Carburetor Gasket Set, Key. No. 977
- + Included in Valve Gasket Set, Key. No. 1095

NOTE: All component dimensions given in U.S. inches 1 inch = 25.4 mm

REPAIR PARTS

TRACTOR- -MODEL NO. 917. 274250

BRIGGS & STRATTON ENGINE - - MODEL NUMBER 441777, TYPE NUMBER 0651-B1

KEY NO.	PART NO.	DESCRIPTION	KEY NO.	PART NO.	DESCRIPTION
358	694012	Set-Engine Gasket	842	691031	• Seal-Dipstick/Tube
363	19203	Flywheel Puller	847	499602	Dipstick/Tube Assembly
383	19374	Wrench-Spark Plug	851	493880s	Terminal-Spark Plug
385	691108	Screw (Fuel Pump)	865	691012	Cover-Air Guide
387	808656	Pump-Fuel	865A	691014	Cover-Air Guide
404	690442	Washer (Governor Crank)	865B	691015	Cover-Air Guide
405	697820	Screw (Back Plate)	868	690968	•+ Seal-Valve
415	690283	Plug (Crankcase Cover/Sump)	877	393456	Wire/Connector-Alternator
415A	690283	Plug (Intake Manifold)	914	691127	Screw (Rocker Cover)
418	690999	Plate-Carburetor	918	694000	Hose-Vacuum
431	790816	Elbow-Intake	929	691003	Screw (Choke Control Bracket)
445	499486s	Filter-Air Cleaner Cartridge	943	690589	• Seal-O Ring (Oil Pump Cover)
447	691003	Screw (Air Guide Cover)	947	699728	Solenoid-Fuel
447A	691108	Screw (Air Guide Cover)	965	499613	Cover-Oil Pump
467	691008	Knob-Air Cleaner	967	273638s	Filter-Pre Cleaner
467	790697	Knob-Air Cleaner	968	790689	Cover-Air Cleaner
474	696459	Alternator	975	499810	Bowl-Float
503	691532	Strap-Ground	977	699735	Gasket Set-Carburetor
505	691029	Nut (Governor Control Lever)	987	691000	∅ Seal-Throttle Shaft
510	696541	Drive-Starter	1005	790698	Fan-Flywheel
513	692024	Clutch-Drive	1013	690954	Nipple-Oil Filter
523	691036	Dipstick	1017	690770	Screen-Oil Pump
524	691032	• Seal-Dipstick Tube	1022	690971	•+ Gasket-Rocker Cover
525	691037	Tube-Dipstick	1023	499599	Cover-Rocker (Cylinder 1)
544	692034	Armature-Starter	1023A	499600	Cover-Rocker (Cylinder 2)
552	690552	Bushing-Governor Crank	1024	499054	Pump-Oil
552A	690553	Bushing-Governor Crank	1026	690981	Rod-Push (Steel)
562	690311	Bolt (Governor Control Lever)	1026A	690982	Rod-Push (Aluminum)
573	790444	Plate-Back	1027	492932s	Filter-Oil
601	691038	Clamp-Hose	1029	690972	Arm-Rocker
615	698290	Retainer-Governor Shaft	1035	691042	Shaft-Pump
616	691045	Crank-Governor	1036	792019	Label-Emissions
617	697891	Seal-O Ring (Intake Manifold)	1051	691265	Ring-Retaining
628	691108	Screw (Fuel Pump Bracket)	1058	276245	Owner's Manual
633	690998	∅ Seal-Choke/Throttle Shaft	1059	698516	Kit-Screw/Washer
635	66538s	Boot-Spark Plug	1070	690372	Screw (Flywheel Fan)
654	690958	Nut (Carburetor)	1090	691293	Retainer-Brush
668	691215	Spacer	1095	699735	Kit-Valve Overhaul
672	690234	Gasket-Carburetor Plate	1100	791959	Pivot-Rocker Arm
691	790574	• Seal-Governor Shaft	1119	691183	Screw (Alternator)
695	693149	Screw (Ring Gear)	1123	699725	Seal-O Ring (Solenoid Retainer)
697	690372	Screw (Drive Cap)	1124	690988	Seal-O Ring (Fuel Transfer Tube)
703	691010	Clip	1126	690991	Screw (Fuel Transfer Tube)
718	690959	Pin-Locating	1127	690992	Screw (Float Bowl)
726	499612	Gear-Ring	1128	690990	Screw (Carburetor Nozzle)
741	690980	Gear-Timing	1329	441777-0025	Replacement Engine (Transfer the speed limiter control assembly to the replacement engine. Transfer the governor spring to the replacement engine).
742	690328	Retainer-E Ring			
750	696999	Screw (Oil Pump Cover)			
783	695708	Gear-Pinion			
788	691039	Bracket-Fuel Pump			
789	698330	Harness-Wiring			
797	691029	Nut (Brush Retainer)	1330	273521	Repair Manual
797A	693167	Nut (Brush Retainer)	1342	699731	Extension-Fuel Transfer Tube
798	697890	Screw (Rocker Arm)			
801	691283	Cap-Drive			
802	691286	Cap-End			
803	---	Housing-Starter (Service with complete Starter Motor 497595)			

- Included in Engine Gasket Set, Key. No. 358
- ∅ Included in Carburetor Overhaul Kit, Key. No. 121
- ‡ Included in Carburetor Gasket Set, Key. No. 977
- + Included in Valve Gasket Set, Key. No. 1095

NOTE: All component dimensions given in U.S. inches 1 inch = 25.4 mm