



REPAIR PARTS MANUAL
MODEL NO. 917.277101
Lawn Tractor



HOW TO USE THIS MANUAL

This manual is designed to provide the customer with a means to identify the parts on his/her tractor when ordering repair parts. The illustrations may or may not represent the actual assemblies; therefore, it is not recommended to use this manual as a guide to assemble or disassemble the tractor. Some hardware and parts are drawn larger in order to more readily identify them.

Each tractor has its own model number.

The model number for your tractor can be found on the fender under the seat.

When ordering parts, always give the following information:

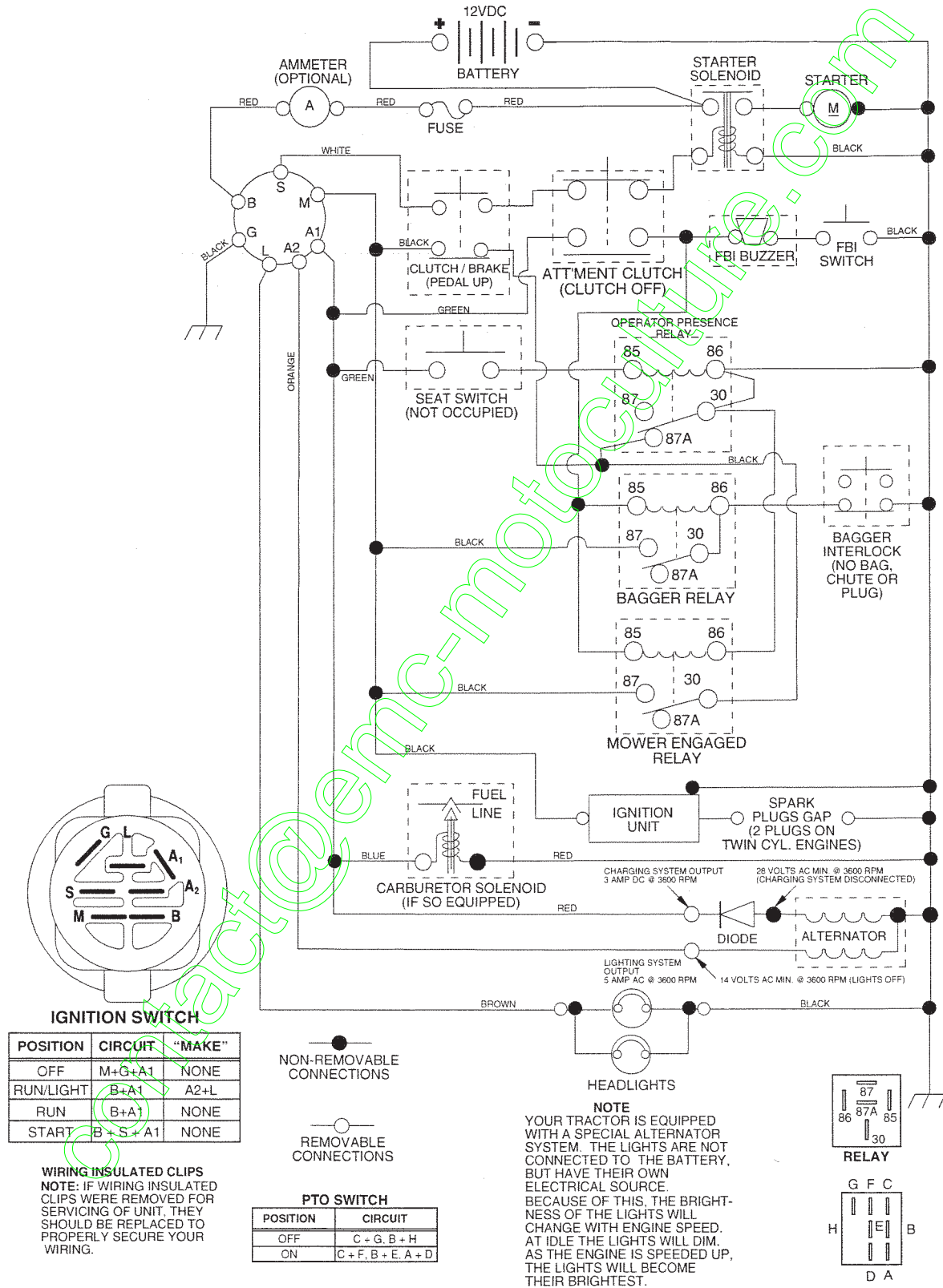
- Product - "Tractor"
- Model Number - "917.277101"
- Part Number
- Part Description

TABLE OF CONTENTS

SCHEMATIC	3
ELECTRICAL.....	4-5
CHASSIS.....	6-7
DRIVE.....	8-9
STEERING	10-11
SEAT	12
DECALS.....	13
ENGINE.....	14-15
MOWER LIFT	16-17
MOWER DECK	18-19
BAGGER.....	20-21
TRANSAXLE.....	22-23
ENGINE BREAKDOWN.....	24-29
WARRANTY.....	31

TRACTOR- -MODEL NO. 917.277101

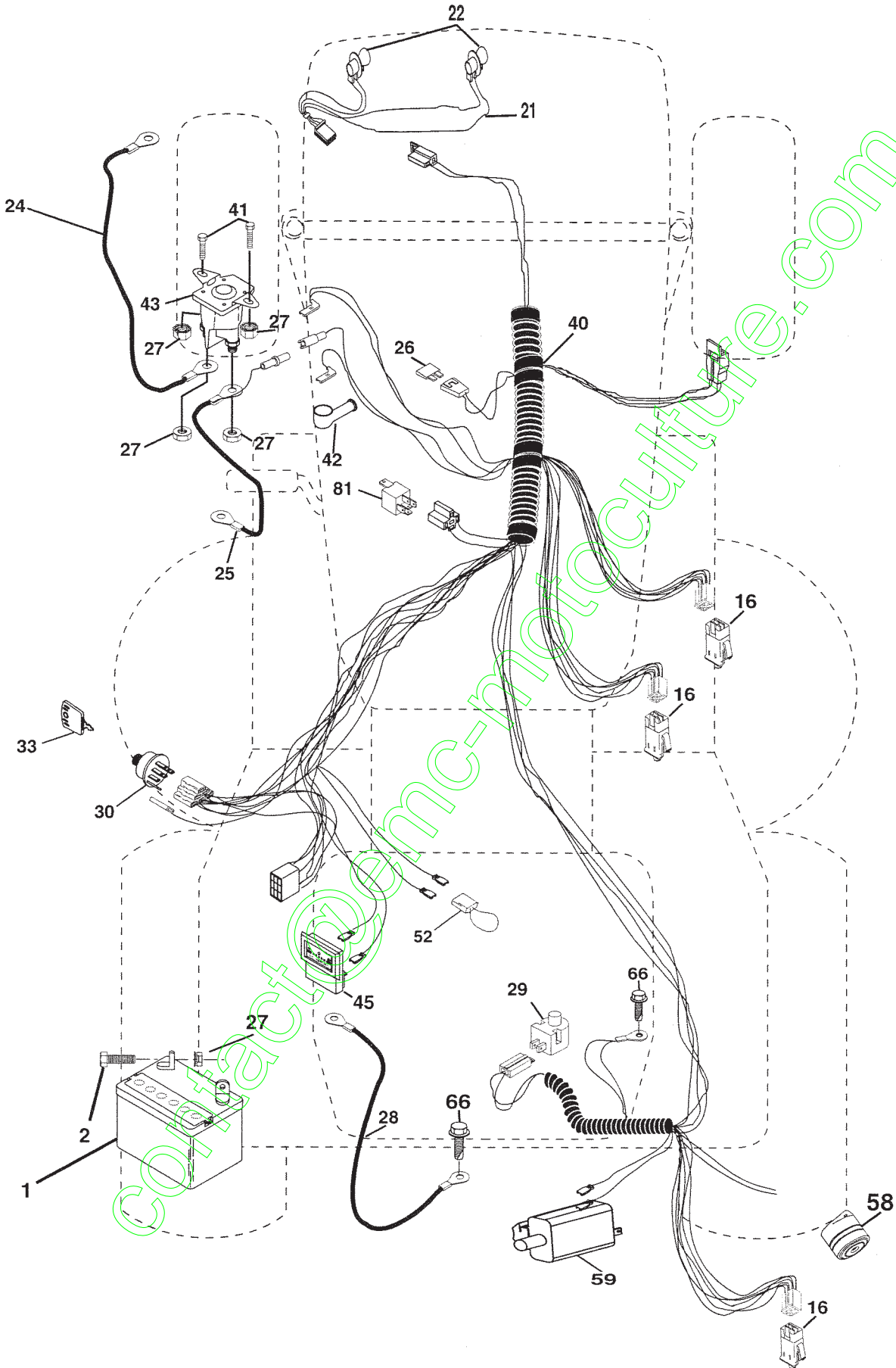
SCHEMATIC



REPAIR PARTS

TRACTOR- -MODEL NO. 917.277101

ELECTRICAL



REPAIR PARTS

TRACTOR- -MODEL NO. 917.277101

ELECTRICAL

KEY NO.	PART NO.	DESCRIPTION
1	163465	Battery
2	74760412	Bolt Hex Hd 1/4-20 Unc X 3/4
16	176138	Switch Interlock Push-In
21	175688	Harness Asm Light W/4152J
22	4152J	Bulb Light #1156
24	4799J	Cable Starter 6Ga 11" Red
25	165987	Cable Battery Crd 56" Red
26	175158	Fuse
27	STD541425	Nut Keps Hex 1/4-20 Unc
28	127725X	Cable Ground 6Ga 18" Black
29	160784	Switch Plunger Normal Op Olive
30	175566	Switch Ignition
33	140403	Key Ign Molded
40	179728	Harness Ign Crd Noram
41	71110408	Bolt Flk Fin Hex 1/4-20 Unc X 1/2
42	131563	Cover Terminal Red
43	178861	Solenoid
45	121433X	Ammeter Rectangular
52	141940	Protection Wire Loop
58	169419	Buzzer Crd
59	180379	Switch FBI CRD
66	17490608	Screw Thdrol 3/8-16 x 1/2 Ty-Tt
81	109748X	Relay Asm

NOTE: All component dimensions given in U.S. inches.
1 inch = 25.4 mm.

REPAIR PARTS

TRACTOR- -MODEL NO. 917.277101

CHASSIS AND ENCLOSURES

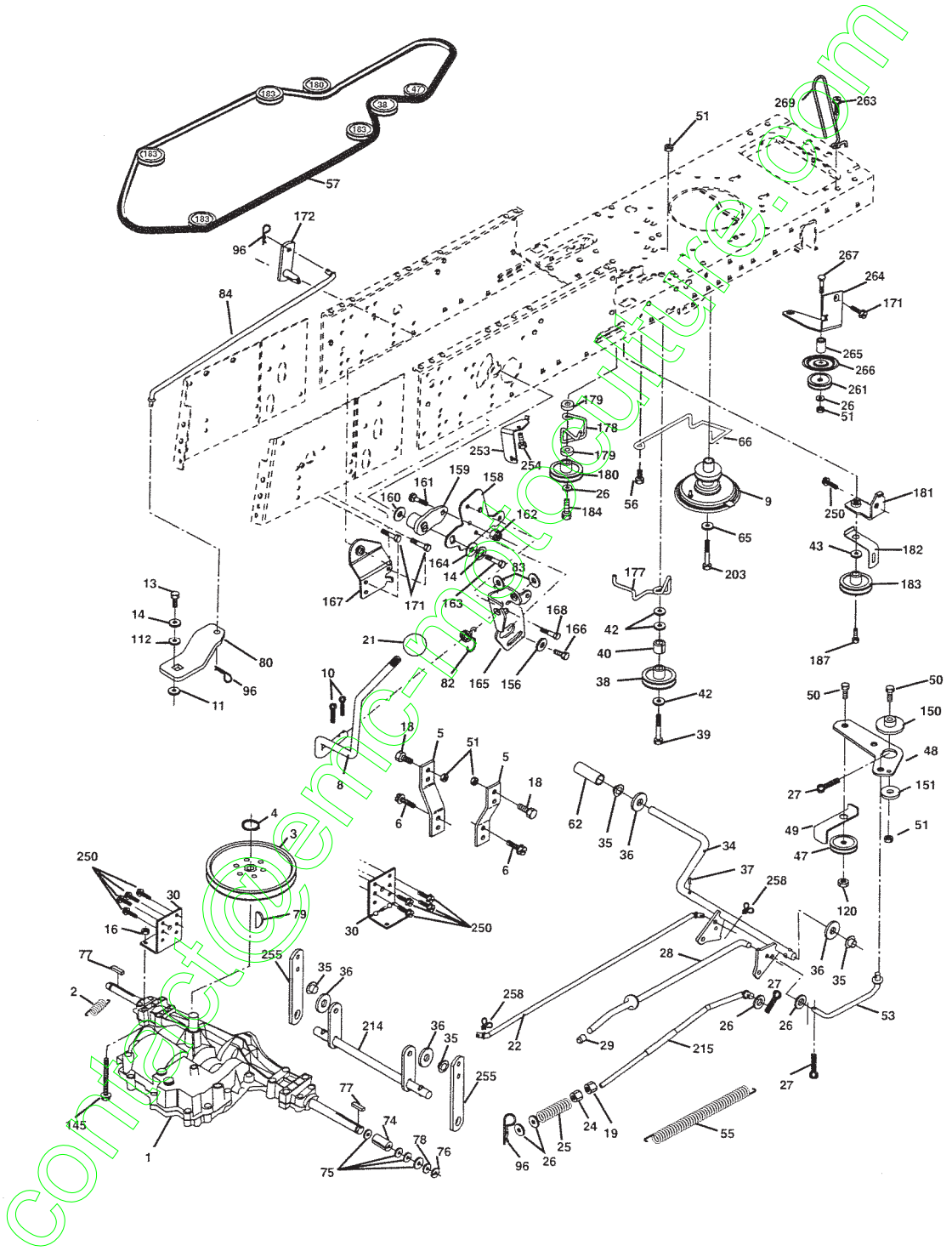
KEY NO.	PART NO.	DESCRIPTION	KEY NO.	PART NO.	DESCRIPTION
1	174620	Chassis Assembly	57	STD522507	Bolt, Fin Hex 1/4-20 UNC x .75
2	180384	Drawbar	69	142432	Screw Hex 1/4-1/2 Unc
3	17060612	Screw 3/8-16 x .75	89	177288X428	Console
5	155272	Bumper Hood/Dash	145	156524	Rod Pivot Chassis/Hood
6	184419	Saddle	162	180382	Bracket Exten Chassis Lh CRD
8	126471X	Clip Insulator 13/32 Mtg. Hole	163	180383	Bracket Exten Chassis Rh CRD
9	168348X013	Dash Slkscr	164	165605	Support Battery CRD
10	STD533710	Bolt, Carriage 3/8-16 x 1	165	179020X428	Cover Battery CRD Lt
11	174996	Panel, Dash, L.H.	170	178862	Backplate Asm CRD
12	145660	Clip, Tinnerman Grille P/L	171	72140620	Bolt Rdhd Sqnk 3/8-16 x 2-1/2
13	172105X010	Panel, Asm. Dash R.H.	172	19132016	Washer 13/32 x 1-1/4 x 16 Ga.
15	74180512	Screw, Machine, Truss Head 5/16-18 UNC x 3/4	173	STD541437	Nut, Keps Hex 3/8-16 UNC
16	STD541431	Nut Keps 5/16-18 UNC	175	180310	Door Trap
17	144983X558	Hood Assembly	179	180376	Rod Pivot FBI CRD
18	184921	Bumper Hood	184	174662	Bracket Actuator Bagger CRD
24	STD523710	Bolt Fin Hex 3/8-16 UNC x 1. Gr 5	185	179608X505	Knob Rod Brake Parking
25	19131312	Washer 13/32 x 13/16 x 12 Gauge	186	160793	Latch Asm Mulch/Bagger
26	STD541437	Nut Lock Hex w/Ins 3/8-16 UNC	187	2029J	Nut Weld .327/.304 #10-24
28	178987X558	Grille/Lens Asm	188	19061216	Washer #10
29	155217X599	Lens, Grille	189	STD551110	Washer Lock #10
30	169962X588	Fender	190	71081010	Screw Pan Hd Phillips 10-24
31	165156	Bracket, Fender Support	198	168937	Nut, Push
33	179716X558	Footrest, L.H.	205	17490608	Screw Thdrol 5/8-16 x 1/2
34	179717X558	Footrest, R.H.	207	17670508	Screw Thdrol 5/16-18 x 1/2
35	STD533107	Bolt RDHD SHT SQNK 3/8-16 x 3/4	208	17670608	Screw Thdrol 3/8-16 x 1/2 TYT
37	17490508	Screw Thdrol 5/16-18 x 1/2 TYT	209	17000612	Screw Hex Wsh Thdrol 3/8-16
38	181748	Pivot Bracket Assembly	212	165919	Insert Lens Reflective
51	73800400	Nut Lock w/Insert 1/4-20 UNC	214	4497H	Retainer Spring 1"
52	19091416	Washer 9/32 x 7/8 x 16 Ga.	256	180810X428	Cover Fender Rack
53	145201	Bracket, Grille LH	265	185704	Seal Side RH
54	161464	Screw Hex WSHD 3/8-18 x 7/8	266	185703	Seal Side LH
55	145202	Bracket, Grille RH	--	5479J	Plug, Button

NOTE: All component dimensions given in U.S. inches.
1 inch = 25.4 mm.

REPAIR PARTS

TRACTOR- -MODEL NO. 917.277101

DRIVE



REPAIR PARTS

TRACTOR- -MODEL NO. 917.277101

DRIVE

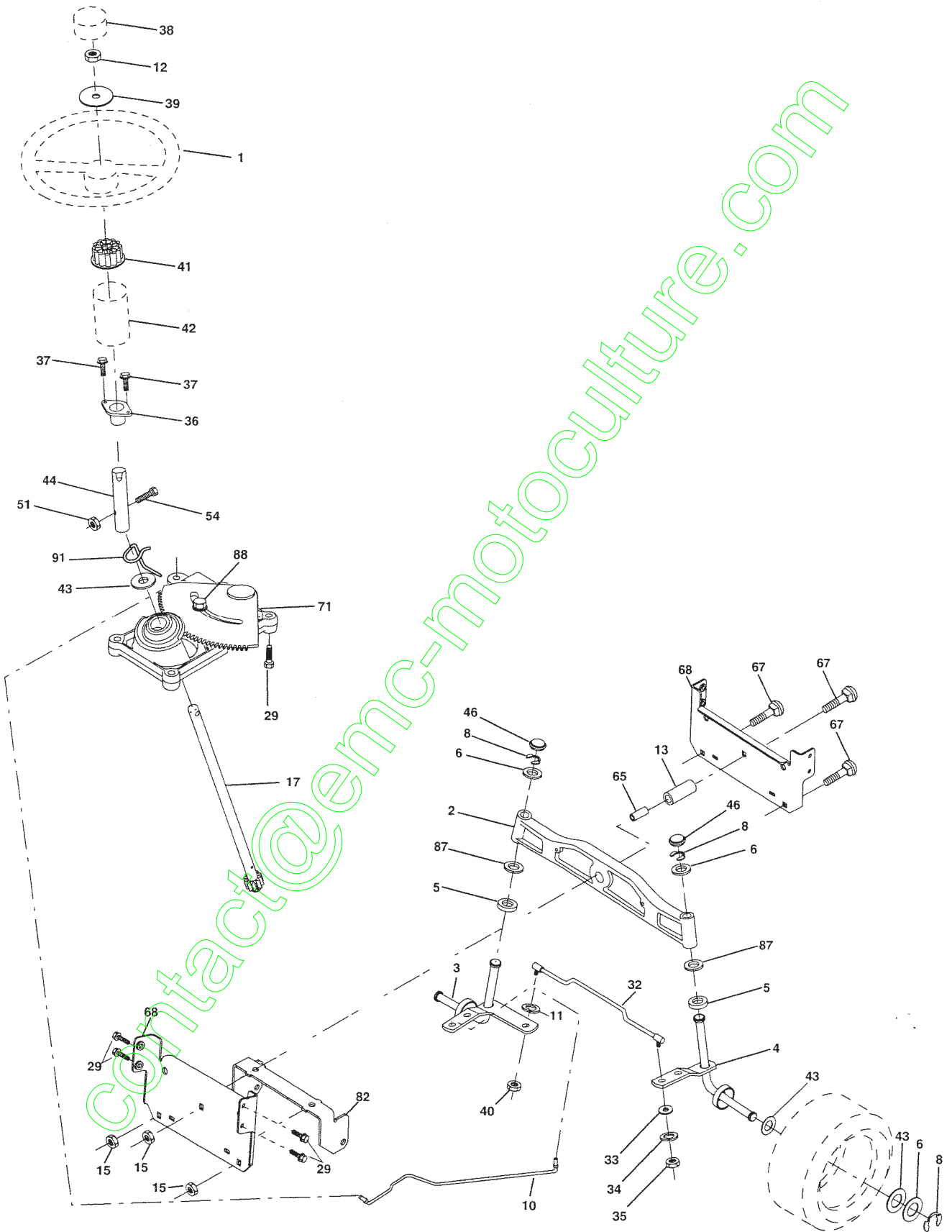
KEY NO.	PART NO.	DESCRIPTION	KEY NO.	PART NO.	DESCRIPTION
1	-----	Transaxle (See Breakdown)	79	STD580025	Key Woodruff #9 3/16 x 3/4
		Peerless 206-546	80	145090	Arm Shift Pmst 20" Tires
2	146682	Spring Brake Return	82	165711	Spring, Torsion
3	165999	Pulley Transaxle	83	19171216	Washer 17/32 x 3/4 x 16 Ga.
4	12000028	Ring Retainer #5100-62	84	165621	Link, Shift
5	121520X	Strap Torque 30 Degrees	96	STD624003	Spring, Retainer 1"
6	17060512	Screw 5/16-18 x 3/4	112	19091210	Washer 9/32 x 3/4 x 10 Ga.
8	165619	Rod, Shift Fender Adjust Lt	120	73900600	Nut Lock Flg 3/8-16 Unc
9	180354	Clutch Noram	145	74490540	Bolt Hex FGHD 5/16-18 x Gr 5
10	STD561210	Pin, Cotter 1/8 x 1	150	165850	Bushing, Bellcrank Grnd Dr
11	105701X	Wash Plate Sht .388 Square Hole	151	19133210	Washer 13/32 x 2 x 10 Ga.
13	74550412	Bolt 1/4-28 Unf Gr 8 w/Patch	156	166002	Washer Srted 5/16ID x 1.125
14	STD551125	Washer, Lock Hvy Helical 1/4	158	165589	Bracket Shift Mount
16	STD541431	Nut Lock Hex W/Wsh 5/16-18 Unc	159	183900	Hub Tapered Flange Shift Lt
18	STD523710	Bolt Hex 3/8-16 UNC x 1 Gr.5	160	19292016	Washer 29/32 x 1-1/4 x 16 Ga
19	STD541437	Nut Lock Hex W/Wsh 3/8-16 Unc	161	72140406	Bolt Rdhd Sqnk 1/4-20 x 3/4 Gr 5
21	106933X	Knob Rd 1/2-13 Plstc Thds Blk	162	73680400	Nut Crownlock 1/4-20 Unc
22	175607	Rod, Brake CRD Pmst	163	74780416	Bolt Hex Fin 1/4-20 Unc x 1 Gr 5
24	STD541237	Nut Hex Jam 3/8-16 UNC	164	19091010	Washer 5/8 x .281 x 10 Ga.
25	106888X	Spring, Rod, Brake	165	165623	Bracket Pivot Lever
26	STD551037	Washer 13/32 x 13/16 x 16 Ga.	166	166880	Screw 5/16-18 x 5/8
27	STD561210	Pin, Cotter 1/8 x 3/4	167	165588	Bracket Support Shift CRD
28	175765	Rod, Parking Brake	168	165492	Bolt Shoulder 5/16-18 x .561
29	71673	Cap, Parking Brake	169	182402	Guard Muffler RH
30	174973	Bracket, Mfg. Transaxle	171	17490608	Screw Thdrol 3/8-16 x 1/2 Ty-Tt
34	175578	Shaft, Asm Pedal Foot CRD	172	165635	Shaft Shift Front CRD
35	120183X	Bearing, Nylon	177	165932	Keeper Flat Idler 3.06" CRD
36	STD551062	Washer 21/32 x 1 x 16 Ga.	178	165933	Keeper Belt Idler 1.88" CRD
37	STD571810	Pin, Roll 3/16 x 1"	179	120958X	Washer Sintered
38	165936	Pulley Flat Composite 3.06"	180	165630	Pulley Flat Idler 1.88"
39	74760644	Bolt Fin Hex 3/8-16 Unc x 2-3/4	181	180211	Bracket Idler Ground Drive CRD
40	4470J	Spacer, Split 395 x 59 Bzp	182	182682	Keeper Belt 2.5" Od V-Idler CRD
42	19131312	Washer 13/32 x 13/16 x 12 Ga.	183	186007	Pulley V-Idler 2.50" Od CRD
43	19111012	Washer 11/32 x 5/8 x 12 Ga	184	17490644	Screw Hexwsh Thdrol 3/8-16 x 2-3/4
47	127783	Pulley, Idler, V Groove Plstic	187	17580520	Screw Thdrol 5/16-18 x 1.25
48	154407	Bellcrank Clutch Grnd Dry	203	71170780	Bolt Hex 7/16-20 x 5
49	123205X	Retainer, Belt Style Spring	214	175609	Shaft Asm Brake
50	72110612	Bolt Carr. Sh 3/8-16 x 1-1/2 Gr. 5	215	175651	Rod Brake
51	STD541437	Nut, Crownlock 3/8-16 UNC	250	17060612	Screw 3/8-16 x .75
53	105710X	Link, Clutch 7.66	253	175028	Bracket Cable Chassis
55	105709X	Spring, Return, Clutch	254	17000616	Screw 3/8-16 x 1
56	STD523712	Bolt, Hex 3/8-16 UNC x 1-1/4	255	175608	Brace Shaft Brake
57	165631	V-Belt Key 111" Pmst CRD	258	178062	Clip Retainer
62	8883R	Cover, Pedal	261	131494	Pulley Idler
65	STD551143	Washer	263	17000612	Screw Hex Wsh Thdr 3/8-16 x 3/4
66	154778	Keeper, Belt Engine F-Proof	264	181995	Bracket Clutch Mounting
74	137057	Spacer, Axle	265	182013	Spacer Idler Chassis
75	121749X	Washer 25/32 x 1-1/4 x 16 Ga.	266	182061	Shield Idler
76	STD581075	Ring, E	267	72140626	Bolt Rdhd 3/8-16 x 3 1/4
77	123583X	Key, Square			
78	121748X	Washer 25/32 x 1-5/8 x 16 Ga.			

NOTE: All component dimensions given in U.S. inches
1 inch = 25.4 mm

REPAIR PARTS

TRACTOR- -MODEL NO. 917.277101

STEERING ASSEMBLY



REPAIR PARTS

TRACTOR- -MODEL NO. 917.277101

STEERING ASSEMBLY

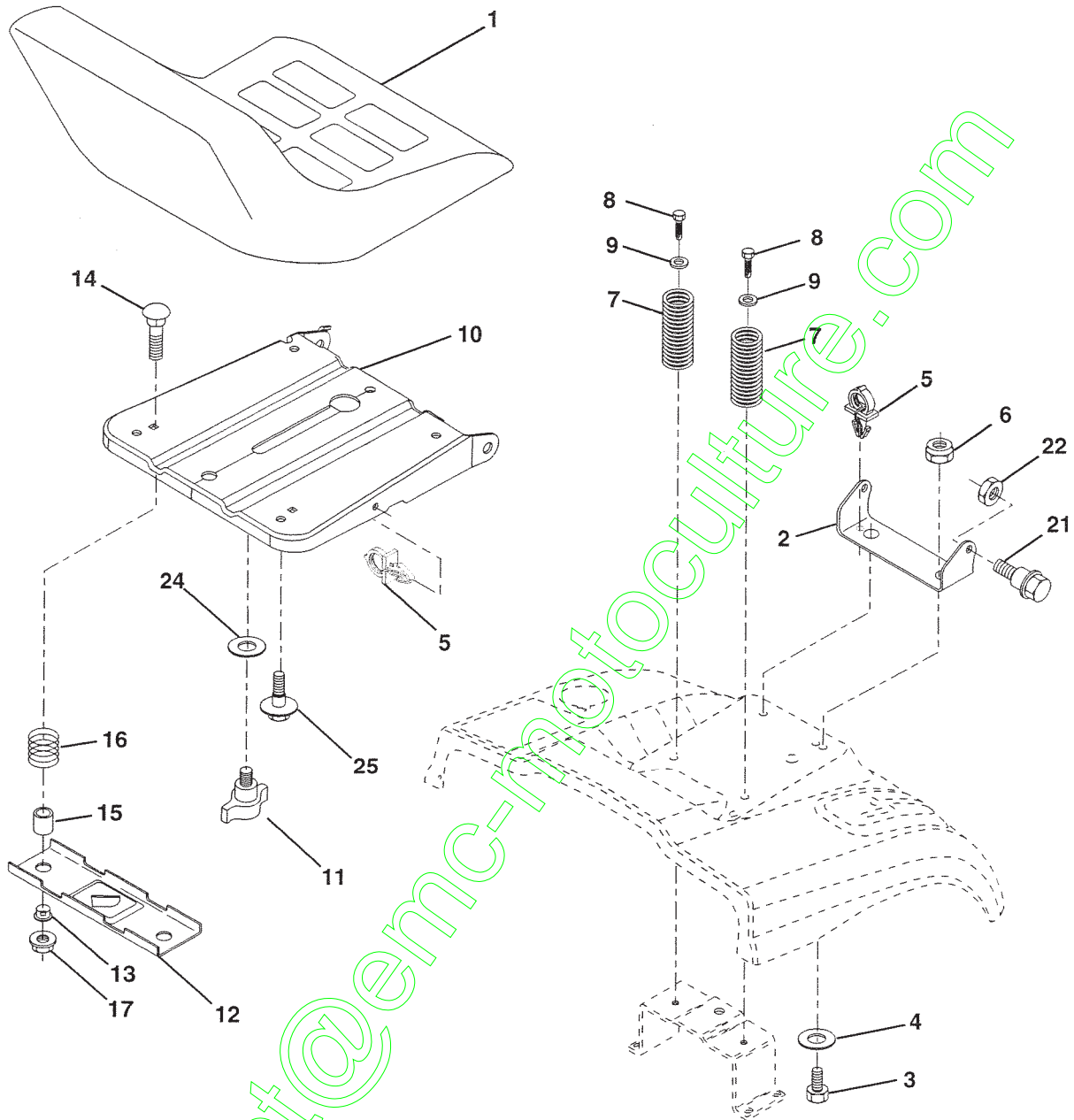
KEY NO.	PART NO.	DESCRIPTION
1	139768	Steering Wheel
2	172393	Front Axle Assembly
3	169840	Spindle Assembly, L.H.
4	169839	Spindle Assembly, R.H.
5	6266H	Bearing, Race, Thrust, Hardened
6	121748X	Washer 25/32 x 1-5/8 x 16 Gauge
8	12000029	Ring, Klip
10	175121	Link, Drag
11	STD551137	Washer, Lock
12	73940800	Nut Hex Jam Toplock 1/2-20 UNF
13	136518	Spacer Axle
15	145212	Nut, Hexflange Lock
17	180641	Shaft Assembly, Steering
29	17060612	Screw, 3/8-16 x 3/4 SMGML Tap/R
32	170162	Rod, Tie
33	19111216	Washer 11/32 x 3/4 x 16 Ga.
34	10040500	Washer Lock Hvy Hlcl Spr 5/16
35	73540500	Nut Crownlock 5/16-24 Unf
36	155099	Bushing, Steering
37	152927	Screw TT #10-32 x 5 x 3/8 Flange
38	139769	Cap Wheel Steering
39	19183812	Washer 9/16 ID x 2-3/8 OD 12 Ga
40	STD541537	Nut Lock Center 3/8-24 Unf
41	100711L	Adaptor, Steering Wheel
42	145054X428	Boot, Steering Dash
43	121749X	Washer 25/32 x 1-1/4 x 16 Gauge
44	180640	Extension Steering Non-Adjust
46	184946 X505	Cap, Spindle
51	73540400	Nut Crownlock 1/4-28
54	71130420	Bolt 1/4-28 UNF x 1-1/4 Ga 8
65	160367	Spacer Brace Axle
67	72140618	Bolt RDHD SQ 3/8-16 x 2-1/4
68	169827	Brace Axle
71	175146	Steering Asm.
82	169835	Bracket Susp Chassis Front
87	173966	Washer FLat .781 x 1-1/2 x .14
88	175118	Bolt Shoulder
91	175553	Clip Steering

NOTE: All component dimensions given in U.S. inches.
1 inch = 25.4 mm.

REPAIR PARTS

TRACTOR- -MODEL NO. 917.277101

SEAT ASSEMBLY



KEY NO.	PART NO.	DESCRIPTION
1	140122	Seat
2	140551	Bracket Pnt Pivot Seat (blk)
3	71110616	Bolt Fin Hex 3/8-16 Unc x 1
4	19131610	Washer Flat 13/32 x 1 x 10 Ga.
5	145006	Clip Push In Hinged
6	73800600	Nut Lock Hex 3/8-16 Unc
7	124181X	Spring Seat Cprsn 2 250 Blk Zi
8	17000616	Screw 3/8-16 x 1
9	19131614	Washer 13/32 X 1 X 14 Ga
10	182493	Pan Pnt Seat
11	166369	Knob Seat Adj Wingnut
12	121246X	Bracket Pnt Mounting Switch

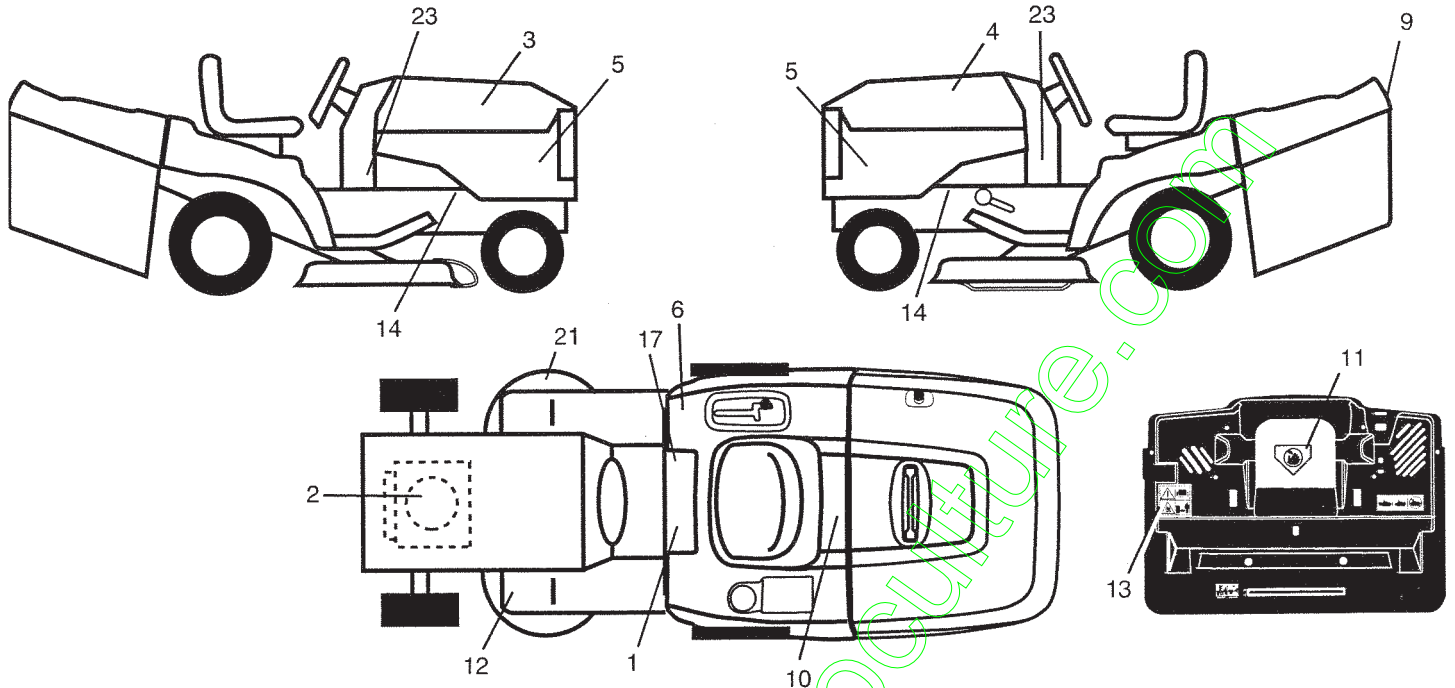
KEY NO.	PART NO.	DESCRIPTION
13	121248X	Bushing Snap Blk Nyl 50 Id
14	72050412	Bolt Rdhd Sht Nk 1/4-20x1-1/2
15	134300	Spacer Split .28 X .96 Zinc
16	121250X	Spring Cprsn
17	123976X	Nut Lock 1/4 Lge Flg Gr 5 Zinc
21	171852	Bolt Shoulder 5/16-18 Unc-2A
22	73800500	Nut Hex Lock w/lns 5/16-18
24	19171912	Washer 17/32 X 1-3/16 X 12 Ga.
25	127018X	Bolt Shoulder 5/16-18 X 62

NOTE: All component dimensions given in U.S. inches.
1 inch = 25.4 mm

REPAIR PARTS

TRACTOR- -MODEL NO. 917.277101

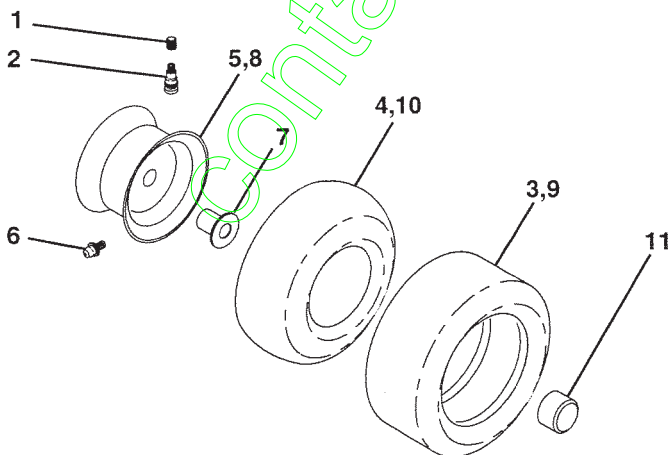
DECALS



KEY NO.	PART NO.	DESCRIPTION
1	145498	Decal Read Owner's Manual Sym
2	184846	Decal Hp Engine
3	171696	Decal Hood Rh
4	171697	Decal Hood Lh
5	177253	Decal Hood Side L71000 LT
6	180432	Decal 100 DB/CE
9	163204	Decal Fender Logo
10	145005	Decal Bat Dan/Poi P/L Sym Wpn
11	182166	Decal Mower Cut Finger Symbol
12	159737	Decal Brake/Clutch Symbol Lt
13	180435	Decal Warn Back Plate CRD Sym-bols

KEY NO.	PART NO.	DESCRIPTION
14	159736	Decal Chassis Hot Muffler
17	140837	Decal Saddle Brake Parking
21	166286	Decal Deck Sch 92 CRD
23	177097	Decal Panel Dash
—	138311	Decal Lift Handle
—	179768X428	Pad Footrest LH
—	182621	Decal Bagger Frame Assy
—	179769X428	Footrest Pad RH
—	186508	Manual Operator's (Euro)
—	186509	Manual Operator's (Scand)
—	186510	Manual Parts

WHEELS & TIRES



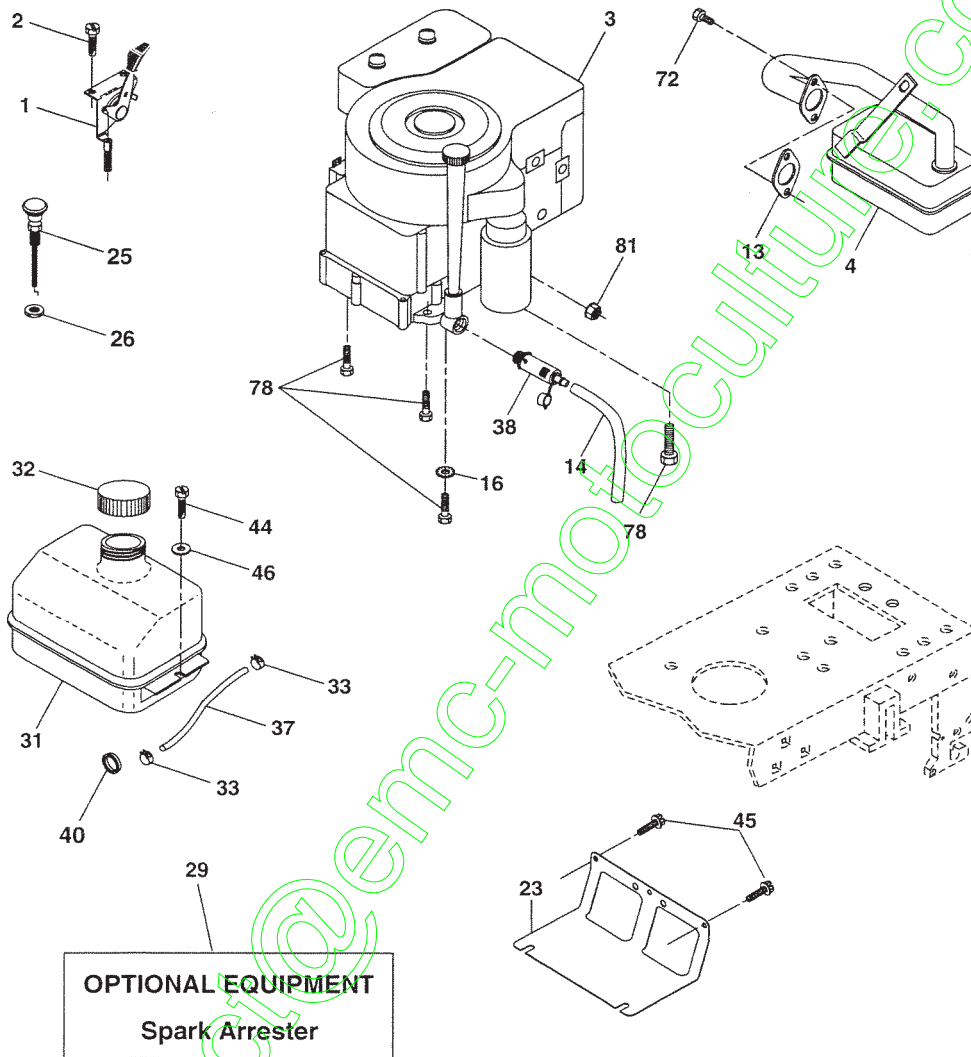
KEY NO.	PART NO.	DESCRIPTION
1	59192	Cap Value Tire
2	65139	Stem Value
3	106222X	Tire F Ts 15 X 6 0 - 6 Service
4	59904	Tube Inner Front #35060
5	106732X624	Rim Asm 6" front White Service
6	278H	Fitting Grease
7	9040H	Bearing Flange
8	106108X624	Rim Asm 8" rear White Service
9	106268X	Tire R Ts 18 x 9.5-8 Service
10	7152J	Tube Rear 9 5 X 8 Service
11	104757X428	Cap Axle Blk 1 50 X 1 00
--	144334	Sealant, Tire (10 oz. tube)

NOTE: All component dimensions given in U.S. inches
1 inch = 25.4 mm

REPAIR PARTS

TRACTOR- -MODEL NO. 917.277101

ENGINE



REPAIR PARTS

TRACTOR- -MODEL NO. 917.277101

ENGINE

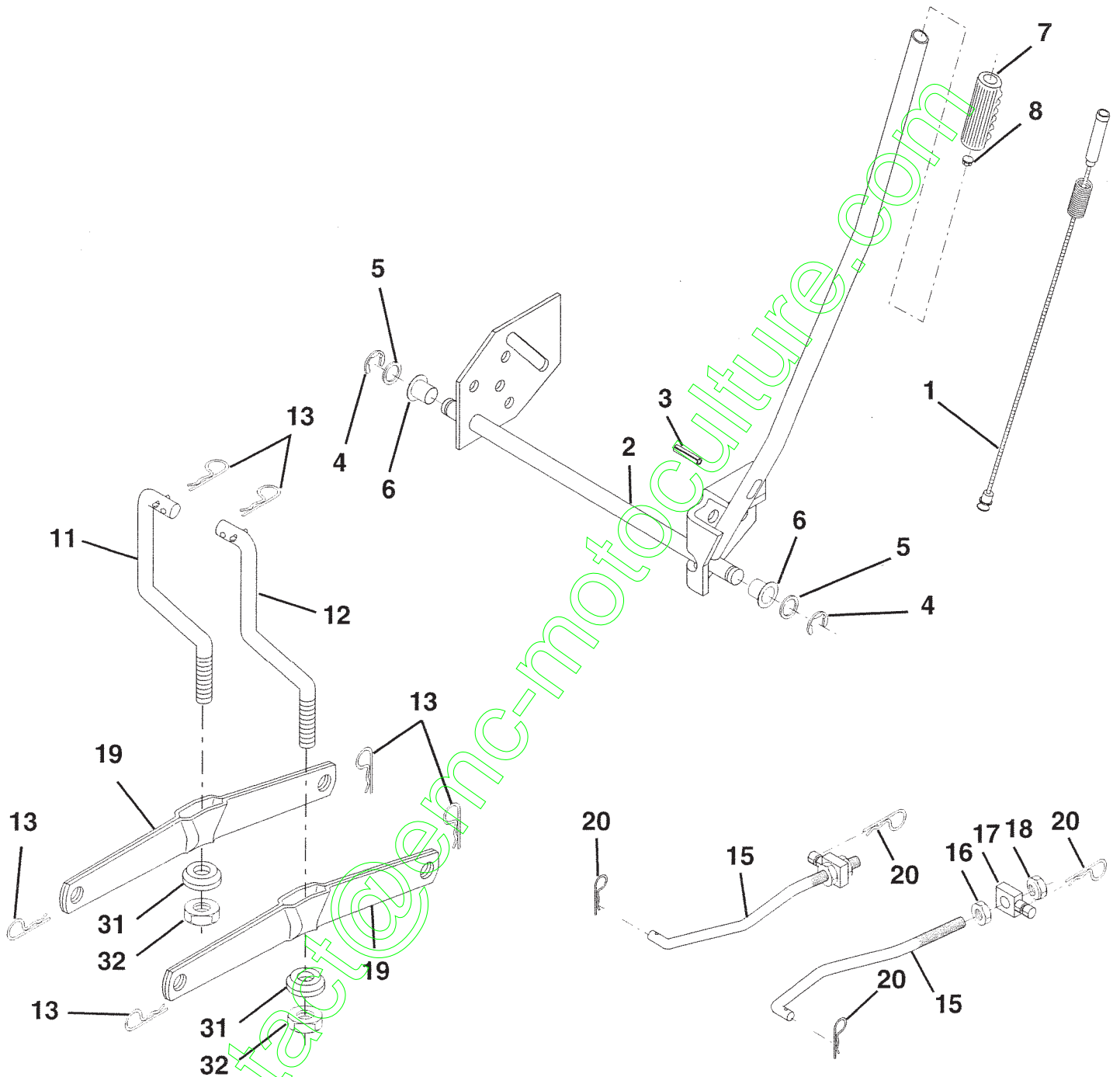
KEY NO.	PART NO.	DESCRIPTION
1	170545	Control Throt /Ch
2	17720408	Screw Hex Thd Cut 1/4-20 x 1/2
3	-----	Engine (See Breakdown) Briggs Model 282H07-0239-E1
4	137352	Muffler Exhaust B&S Lt
13	165291	Gasket 1 313 Id Tin Plated
14	148456	Tube Drain Oil Easy
16	STD551237	Washer Lock Ext Tooth 3/8
23	169837	Shield Browning/Debris Guard
25	180945	Control Choke
26	73920600	Nut Keps
29	137180	Arrestor Spark
31	184900	Tank Fuel 1.25 Fr
32	140527	Cap Asm Fuel
33	123487X	Clamp Hose Blk
37	137040	Line Fuel 20"
38	181654	Plug Oil Drain Easy
40	124028X	Bushing Snap
44	17670412	Screw Hexwsh Thdrol 1/4-20x3/4
45	17000612	Screw Hexwsh Thdr 3/8-16 x 3/4
46	19091416	Washer 9/32 X 7/8 X 16ga
72	183906	Screw Socket Head 5/16-18 x 1
78	17060620	Screw 3/8-16x1-1/4
81	73510400	Nut Keps 1/4-20 Unc

NOTE: All component dimensions given in U.S. inches
1 inch = 25.4 mm

REPAIR PARTS

TRACTOR- -MODEL NO. 917.277101

MOWER LIFT



REPAIR PARTS

TRACTOR- -MODEL NO. 917.277101

MOWER LIFT

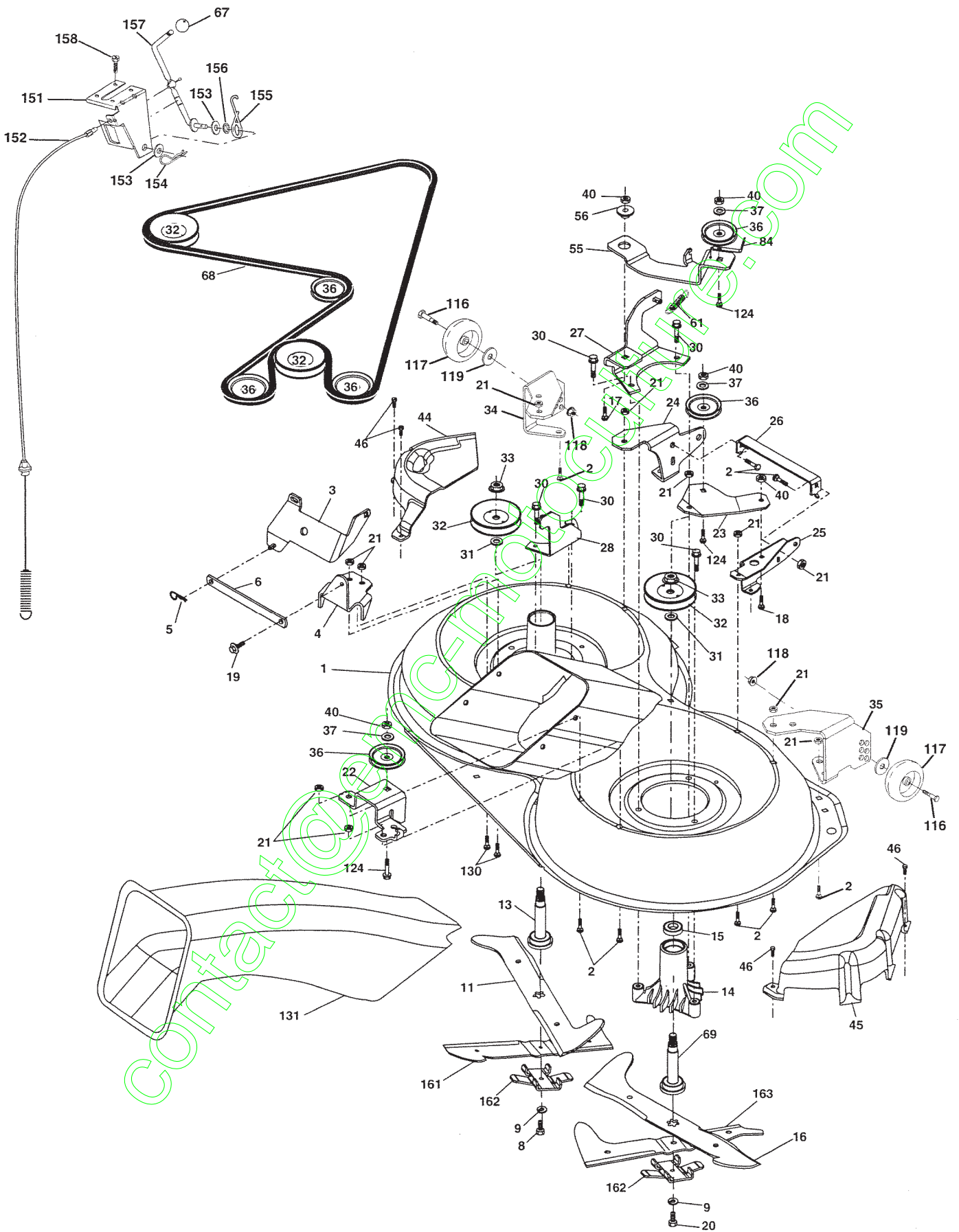
KEY NO.	PART NO.	DESCRIPTION
1	159460	Washer Asm Inner Spring W/ Plunger
2	159471	Shaft Asm. Lift
3	105767X	Pin Groove
4	STD581062	E Ring #5133-62
5	19211621	Washer 21/32 x 1 x 21 Ga.
6	120183X	Bearing Nylon
7	125631X	Grip Handle
8	124526X	Button Plunger Black
11	165829	Link Asm Lift L.H.
12	165831	Link Asm Lift R.H.
13	STD624008	Retainer Spring
15	173288	Link Front
16	73350800	Nut Jam Hex 1/2-13 Unc
17	175689	Trunnion Blk Zinc
18	73800800	Nut Lock w/wsh 1/2-13 Unc
19	139868	Arm Suspension Mower
20	163552	Retainer Spring
31	169865	Bearing, Pvt. Lift.
32	73540600	Nut Crownlock 3/8-24

NOTE: All component dimensions given in U.S. inches
1 inch = 25.4 mm

REPAIR PARTS

TRACTOR- -MODEL NO. 917.277101

MOWER



REPAIR PARTS

TRACTOR- -MODEL NO. 917.277101

MOWER

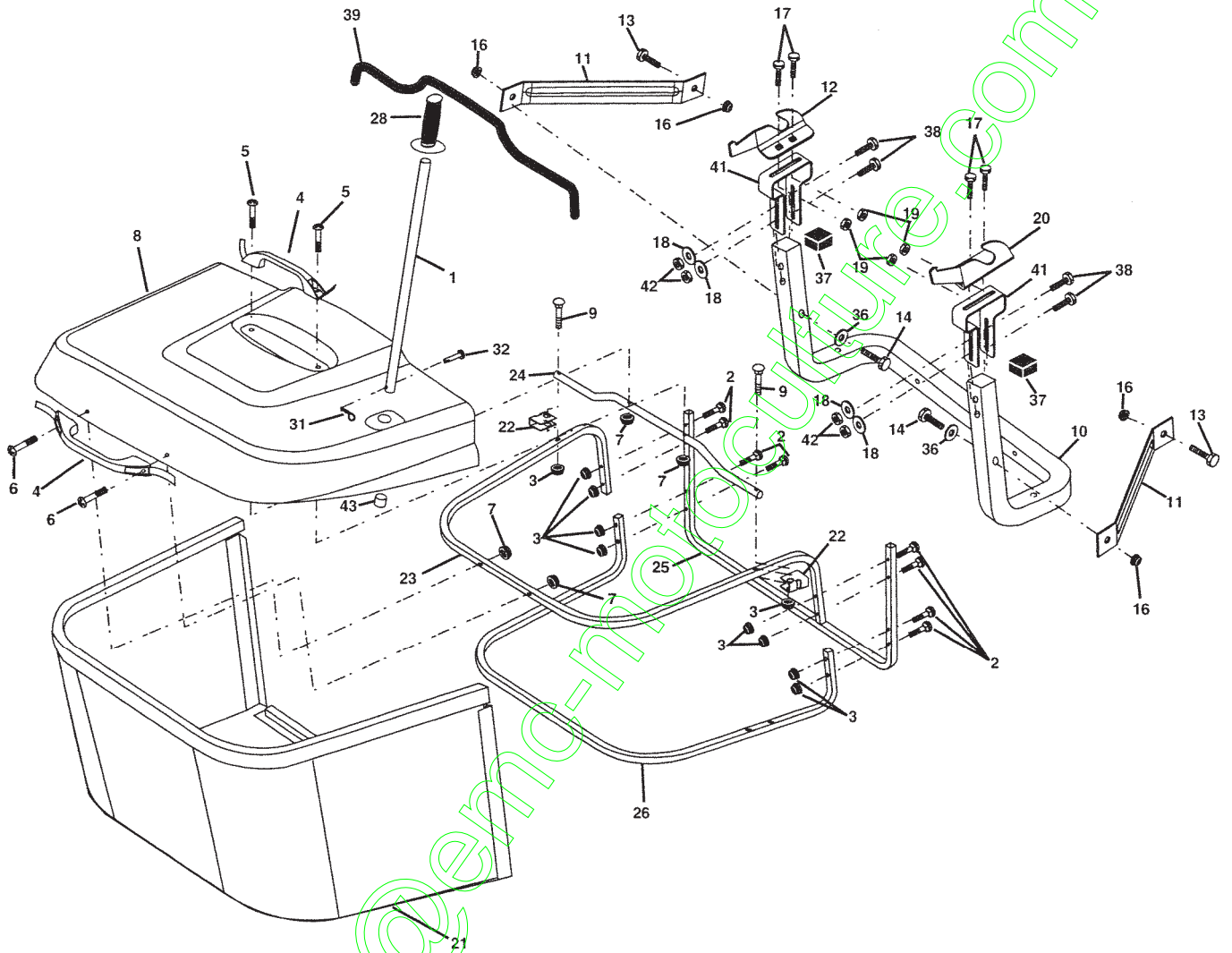
KEY NO.	PART NO.	DESCRIPTION	KEY NO.	PART NO.	DESCRIPTION
1	165552	Housing Asm. Mower 92 CRD	45	175539	Cover Mandrel Rh 92 CRD
2	72140506	Bolt Rdhd Sqnk 5/16-18 Unc x 3/4	46	137729	Screw Thd Roll 1/4-20 x 5/8
3	165569	Bracket Asm. S-Bar Chass 92 CRD	55	165445	Arm Idler 92 CRD
4	165558	Bracket Bar Sway Deck 92 CRD	56	165723	Spacer Retainer Mower
5	4939M	Retainer Spring	61	165945	Spring Tension Belt
6	165557	Bar Sway 92 CRD	67	106932X	Knob Rd 3/8-16 Plstdc Thds Blk
8	181712	Bolt 3/8-24 x 1.25 Gr8 Patched	68	180217	Hex-Belt 92 Mower
9	10030600	Washer Lock Hvy 3/8 Unplated	69	165482	Shaft Asm W/Lwr Brg Rh Thd CRD
11	170037	Blade 3-1 Lh 92 CRD	84	156085	Keeper Belt Idler
13	137645	Shaft Asm. W/Lower Bearing	116	184219	Bolt Shoulder
14	128774	Housing Mandrel Vented (Machd)	117	133957	Wheel Gage Donut Wide
15	110485X	Bearing Ball Mandrel	118	73930600	Nut Centerlock 3/8-16 Unc
16	170038	Blade 3-1 Rh 92 CRD	119	19121414	Washer 3/8 x 7/8 x 14 Ga.
17	72140610	Bolt Carriage 3/8-16 x 1-1/4	124	72110612	Bolt Carr Sh 3/8-16 x 1-1/2 Gr5
18	72110606	Bolt Rdhd Sqnk 3/8-16 x 3/4	130	72110506	Bolt Rdhdsqnk 5/16-18 Unc x 3/4
19	132827	Bolt Shoulder 5/16-18 Thd Form	131	165661	Chute Bagger CRD 92cm
20	181713	Bolt 3/8-24 x 1.25 Gr8 Ptch Lhthd	151	169670	Bracket Clutch Cable
21	73680500	Nut Crown Lock 5/16-18	152	176074	Cable Clutch CRD Service
22	165243	Bracket Idler Sprt RR 92 CRD	153	169674	Washer Flat 3/8" Type B
23	165446	Bracket Idler Sprt RF 92 CRD	154	169675	Spring Retainer
24	165242	Bracket Suspension LF 92 CRD	155	169671	Spring Retention Lvr Clutch Cable
25	165244	Bracket Suspension RF 92 CRD	156	169672	Spacer Clutch Cable
26	165237	Brace Support Susp Frt CRD	157	169669	Rod Clutch Cable 3/8"
27	165568	Bracket Asm. Susp RR 92 CRD	158	17720408	Screw Thd Cut 1/4-20 x 1/2
28	165567	Bracket Asm. Susp LR 92 CRD	161	180418	Blade Cross LH
30	173984	Screw Thd Rolling Washer Head	162	186013	Adapter Blade Cross
31	129963	Washer Spacer Mower Vented	163	180419	Blade Cross RH
32	153531	Mandrel Pulleys 36 & 46	--	181857	Mandrel Asm Service (Includes Housing, Shaft and Shaft Hardware Only - Pulley Not Included)
33	178342	Nut Flg Top Lock Cntr B 9/16	--	181858	Mandrel Asm CRD Lh Threads SVC
34	165239	Bracket Gauge Wheel Lf 92 CRD	--	181765	Replacement Mower Complete
35	165238	Bracket Gauge Wheel Rf 92 CRD			
36	146763	Pulley Idler V-Groove Dim 4.25			
37	19131316	Washer 11/32 x 13/16 x 16 Ga			
40	73680600	Nut Crownlock 3/8-16 Unc			
44	175538	Cover Mandrel Lh 92 CRD			

NOTE: All component dimensions given in U.S. inches
1 inch = 25.4 mm

REPAIR PARTS

TRACTOR- -MODEL NO. 917.277101

BAGGER



REPAIR PARTS

TRACTOR- -MODEL NO. 917.277101

BAGGER

KEY NO.	PART NO.	DESCRIPTION
1	165249	Tube Handle Bagger CRD
2	72140416	Bolt Carriage 1/4-20 x 2.0 Gr.5
3	123976X	Nut Lock 1/4 Lge Flg Gr. 5 Zinc
4	169916	Handle Bagger
5	74981024	Screw Pan Head #10-24 x 1.50 Blk
6	74981032	Screw Pan Hd
7	73401000	Nut Wiz Lock Hex Serr/Hd 10-24
8	169963X558	Cover Bagger Steel CRD
9	72140418	Bolt Carriage 1/4-20 x 2.25d x Gr.5
10	181282	Tube Support Bagger CRD
11	165719	Bracket Support Upper Bag CRD
12	169685	Bracket Pivot Bagger Lh CRD
13	STD533707	Bolt Rdhd Sht Sqnk 3/8-16 x 3/4
14	74520636	Bolt Hex 3/8-16 x 2-1/4 Gr.5
16	73900600	Nut Lock Flg 3/8-16 Unc
17	STD533107	Bolt Rdhd Sht Sqnk 5/16 -18 Unc x 3/4
18	19111216	Washer 11/32 x 3/4 x 16 Ga.
19	73900500	Nut Lock Hex Flange 5/16-18
20	169684	Bracket Horiz Adj Bagger RH CRD
21	180880	Bag Asm CRD
22	165781	Bracket Side Bagger CRD
23	165782	Tube Upper Bagger CRD
24	165783	Tube Pivot Bagger CRD
25	180124	Tube Front Bagger CRD
26	165785	Tube Lower Bagger CRD
28	165787	Grip Handle Black
31	STD624003	Retainer Spring 1" Zinc/Cad
32	126875X	Rivet Rd Hd Drilled 3/8 Dia
36	19132016	Washer 13/32 x 1-1/4 x 16 Ga.
37	175401	Plug Support Bagger CRD
38	72010520	Bolt 5/16-18 x 5.20
39	180985	Seal 37"
41	169683	Bracket Vert Adj Bagger CRD
42	STD541431	Nut Lock Hex W/Ins 5/16-18 Unc PI
43	174083	Plug Tubing End

NOTE: All component dimensions given in U.S. inches
1 inch = 25.4 mm

REPAIR PARTS

TRACTOR- -MODEL NO. 917.277101

PEERLESS PMST TRANSAXLE - MODEL NUMBER 206-546

KEY NO.	PART NO.	DESCRIPTION	KEY NO.	PART NO.	DESCRIPTION
1	772147	Transaxle Cover	42	792073A	Screw 1/4-20 x 1-1/4"
2	780086A	Needle Bearing 5/8"	42A	792085A	Screw 1/4-20 x 2-1/4"
3	770128	Transaxle Case	43	792075	Locknut 5/16-24
4B	776406	Countershaft	44	790025	Brake Pad Holder
5	776409	Output Shaft	45	786066	Spacer .2625 x 1.0
6	778364	Spur Gear (38 teeth)	46	786086	Brake Lever Bracket
6A	778369	Spur Gear (15 teeth-steel)	47	774690	Axle (11-15/16" long)
7	778330	Spur Gear (11 teeth)	48	774691	Axle (16-1/2" long)
8	792180	Shift Key	49	778336	Spur Gear (30 teeth)
9	784352	Shift Collar	50	778338	Spur Gear (27 teeth)
10	784378	Shift Rod & Fork	51	778340	Spur Gear (24 teeth)
11	778334	Bevel Gear (30 teeth)	52	778342	Spur Gear (22 teeth)
12	778309	Input Bevel Pinion (13 teeth)	53	778352	Spur Gear (19 teeth)
13	778368	Bevel Gear (13 teeth) (Incl. 14)	54	778350	Spur Gear (16 teeth)
14	778368	Bevel Pinion (13 teeth) (Incl.13)	56	778335	Spur Gear (10 teeth-steel)
15	778370	Ring Gear (43 teeth)	57	778337	Spur Gear (13 teeth)
17	786188	Drive Pin	58	778339	Spur Gear (16 teeth)
18	786102	Spacer 1.130 X .695	59	778341	Spur Gear (18 teeth)
20	792077A	Ball 5/16" dia	60	778351	Spur Gear (21 teeth)
21	792078	Set Screw 3/8-16 x 3/8"	61	778349	Spur Gear (24 teeth)
22	792079	Spring .310 ODx .625 L	65	780189	Flat Washer .563 ID x .062W
25	792073A	Screw 1/4-20 x1-1/4" 17	66	776422	Input Shaft
25A	792177	Screw 1/4-20 x1-3/8" 2	67	776396	Shifter & Brake Shaft
26	792125	Retaining Ring (pkg of 2)	69	792170	Retaining Ring
27	792035	Retaining Ring	70	786187	Spacer .890
28	788040	Retaining Ring	71	788069	Square Cut Ring
29	780072	Thrust Washer .627ID x .031W	71B	788092	"O" Ring
29A	780160	Thrust Washer .563 ID x .031W	76	780090	Flat Washer 1.128 ID x .058W
29B	780051	Thrust Washer .762 ID x .031W	77	788078A	Inverted Retaining Ring
29C	780199	Anti-Rotation Washer .632	79	792144	Spring .430 OD x .5000 L
30	780108	Cup Washer 1.127ID x .032W	82	778363	Bevel & Spur Gear (30 & 13 teeth)
31	780001	Flat Washer .750ID x .056W(Use As Needed)	83	778338	Spur Gear (27 teeth)
31A	780195	Flat Washer .750ID x .062W	85	792154	Oil Fill Plug
32	788083	Oil Seal 5/8"	87	788089A	Oil Seal 9/16"
34	780194	Bushing .563	150	788093A	Liquid Gasket RTV Silicone
35	780193	Flanged Bushing 5/8" ID 2	157	788088A	Oil Seal 3/4"
35A	780197	Flanged Bushing .751 2	180	730229A	Gear Oil 80W90
36	790075	Brake Disk	900	794715	Replacement 206-546 Transaxle
37	790007	Brake Pad Plate			
38	799021	Brake Pad (pkg of 2)			
39	786026	Dowel Pin 5/16 x 3/4			
40	792076A	Flat Washer .312 ID x.059W			
41	790094	Brake Lever			

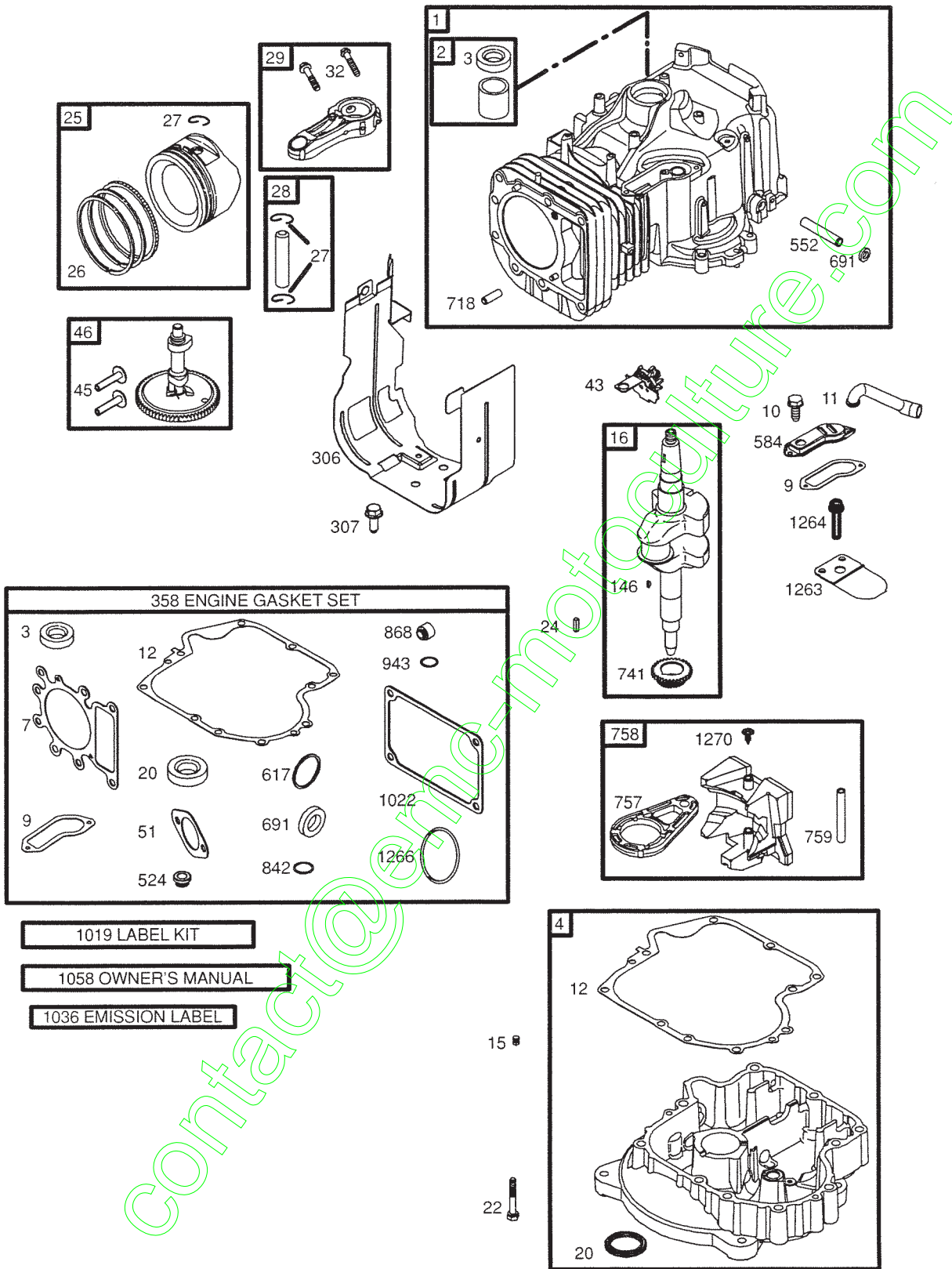
Parts must be ordered from Tecumseh Products Co.

NOTE: All component dimensions given in U.S. inches
1 inch = 25.4 mm

REPAIR PARTS

TRACTOR- -MODEL NO. 917.277101

BRIGGS & STRATTON ENGINE - - MODEL NUMBER 282H07, TYPE NUMBER 0239-E1



1019 LABEL KIT

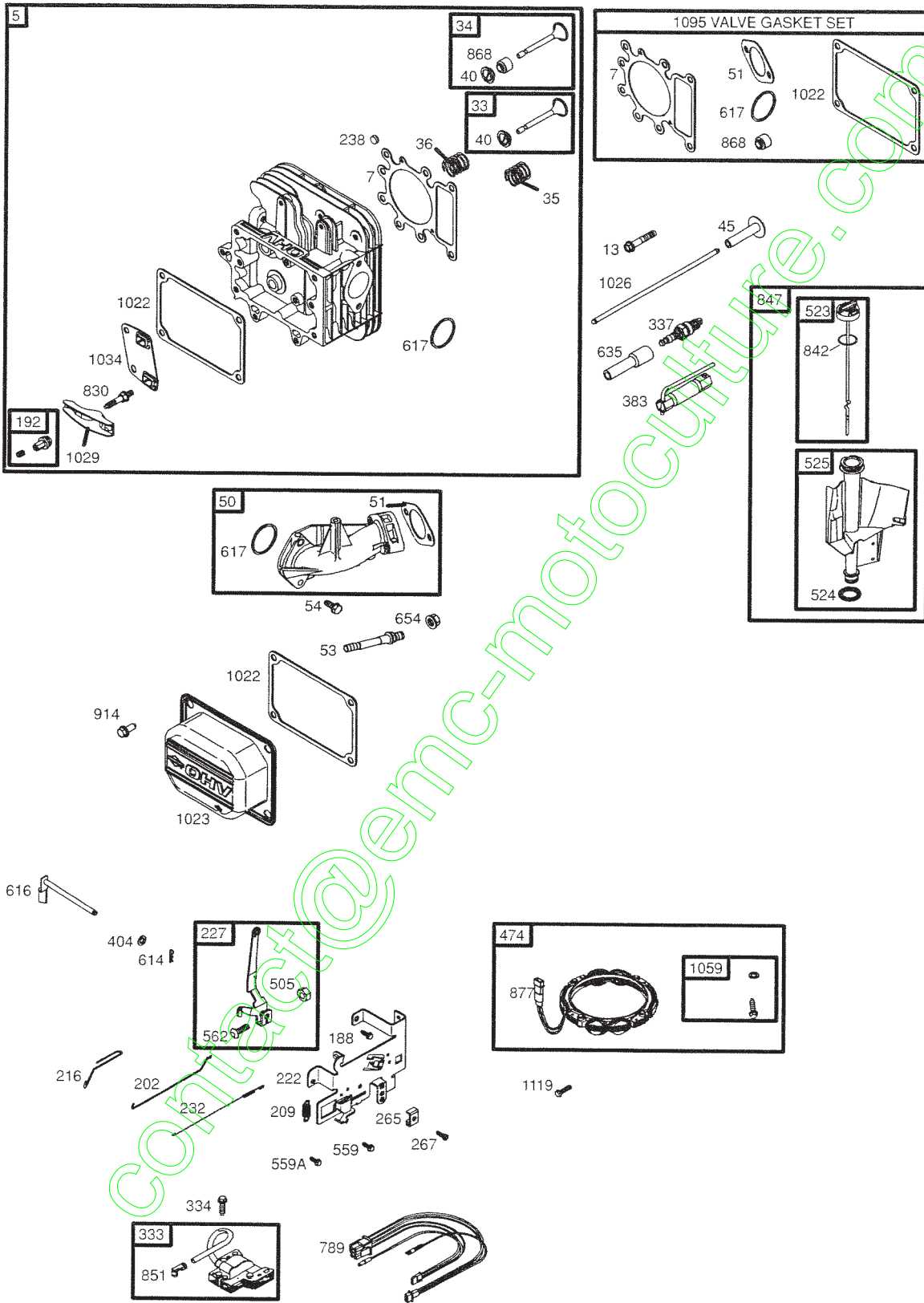
1058 OWNER'S MANUAL

1036 EMISSION LABEL

REPAIR PARTS

TRACTOR- -MODEL NO. 917.277101

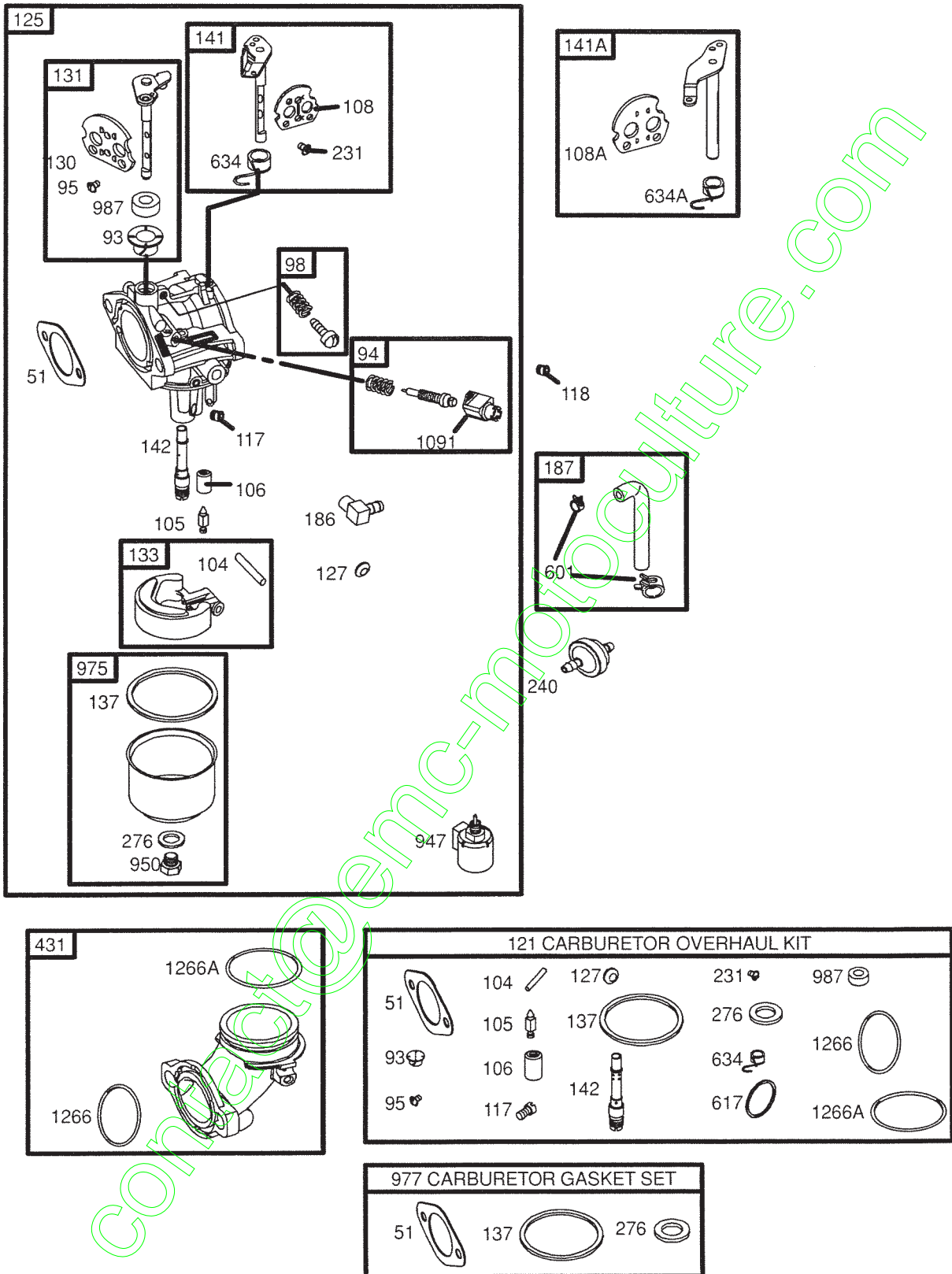
BRIGGS & STRATTON ENGINE - - MODEL NUMBER 282H07, TYPE NUMBER 0239-E1



REPAIR PARTS

TRACTOR- -MODEL NO. 917.277101

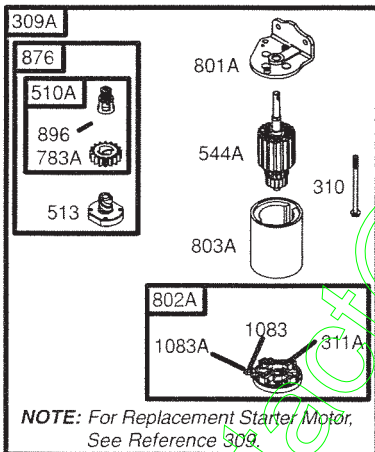
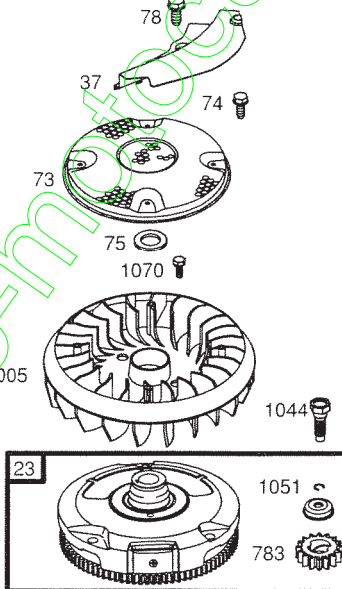
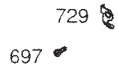
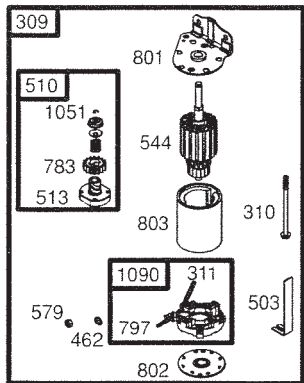
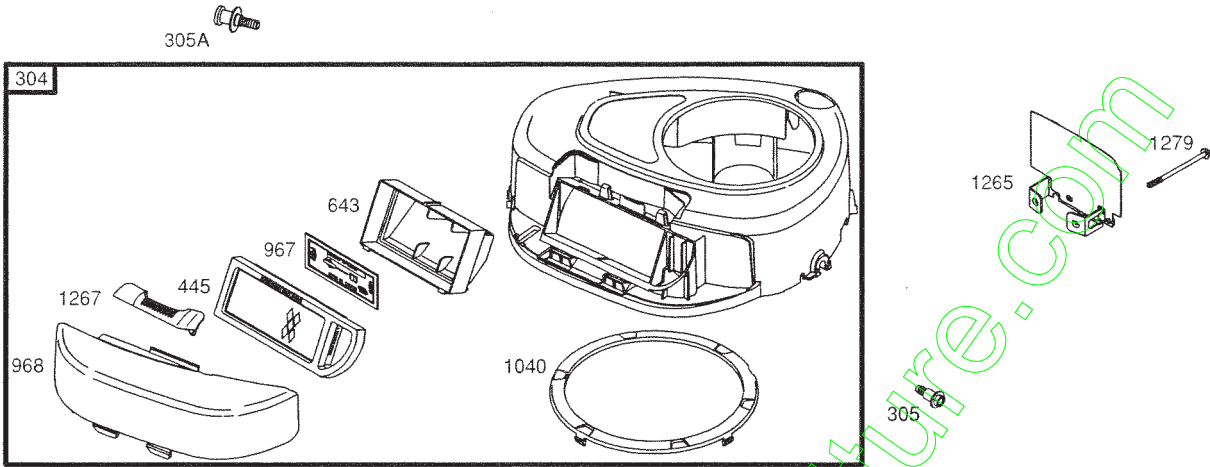
BRIGGS & STRATTON ENGINE - - MODEL NUMBER 282H07, TYPE NUMBER 0239-E1



REPAIR PARTS

TRACTOR- -MODEL NO. 917.277101

BRIGGS & STRATTON ENGINE - - MODEL NUMBER 282H07, TYPE NUMBER 0239-E1



REPAIR PARTS

TRACTOR- -MODEL NO. 917.277101

BRIGGS & STRATTON ENGINE - - MODEL NUMBER 282H07, TYPE NUMBER 0239-E1

KEY NO.	PART NO.	DESCRIPTION	KEY NO.	PART NO.	DESCRIPTION
1	697132	Cylinder Assembly	108	690464	Valve-Choke (Manual Choke)
2	399265	Kit-Bushing/Seal (Magneto Side)	108A	692344	Valve-Choke (Choke A Matic)
3	391086	• Seal-Oil (Magneto Side)	117	694352	Ø Jet-Main (Standard)
4	697106	Sump-Engine	118	697228	Jet-Main (High Altitude)
5	698148	Head-Cylinder	121	697241	Kit-Carburetor Overhaul
7	273280	•+ Gasket-Cylinder Head	125	697190	Carburetor
9	697109	• Gasket-Breather	127	695005	Plug-Welch
10	697157	Screw (Breather Assembly)	130	691750	Valve-Throttle
11	697113	Tube-Breather	131	494379	Kit-Throttle Shaft
12	697110	• Gasket-Crankcase	133	494381	Float-Carburetor
13	690360	Screw (Cylinder Head)	137	281165	Ø‡ Gasket-Float Bowl
15	690946	Plug-Oil Drain	141	495097	Kit-Choke Shaft (Manual Choke)
16	697127	Crankshaft	141A	495931	Kit-Choke Shaft (Choke A Matic)
20	690947	• Seal-Oil (PTO Side)	142	697140	Ø Nozzle-Carburetor
22	692125	Screw (Crankcase Cover/Sump)	146	691639	Key-Timing
23	693557	Flywheel	186	698174	Connector-Hose
24	222698	Key-Flywheel	187	697098	Line-Fuel
25	697114	Piston Assembly (Standard)	188	691693	Screw (Control Bracket)
	697116	Piston Assembly (.010" Oversize)	192	691986	Adjuster-Rocker Arm
	697117	Piston Assembly (.020" Oversize)	202	691841	Link-Mechanical Governor
	697118	Piston Assembly (.030" Oversize)	209	692208	Spring-Governor
26	697115	Ring Set (Standard)	216	691840	Link-Choke
	697119	Ring Set (.010" Oversize)	222	694042	Bracket-Control
	697120	Ring Set (.020" Oversize)	227	691374	Lever-Governor Control
	697121	Ring Set (.030" Oversize)	231	691636	Screw (Choke Valve)
27	698469	Lock-Piston Pin	232	691842	Spring-Governor
28	697099	Pin-Piston	238	691843	Cap-Valve
29	697126	Rod-Connecting (Standard)	240	394358	Filter-Fuel
32	692852	Screw (Connecting Rod)	265	691024	Clamp-Casing
33	495856	Valve-Exhaust	267	695134	Screw (Casing Clamp)
34	495857	Valve-Intake	276	692255	Ø‡ Washer-Sealing
35	691279	Spring-Valve (Intake)	304	698402	Housing-Blower
36	691279	Spring-Valve (Exhaust)	305	697102	Screw (Blower Housing)
37	697352	Guard-Flywheel	305A	697103	Screw (Blower Housing)
40	691752	Retainer-Valve	306	697107	Shield-Cylinder
43	691968	Slinger-Governor/Oil	307	691003	Screw (Cylinder Shield)
45	690564	Tappet-Valve	309	693551	Motor-Starter
46	697687	Camshaft	309A	---	Motor-Starter (For Replacement Starter Motor, See Reference 309)
48	697761	Short Block (31C707-0230-E2 Replacement Engine-art not available)	310	690323	Bolt (Starter Motor)
50	690193	Manifold-Intake	311	497608	Brush Set
51	692137	•Ø‡+ Gasket-Intake	311A	395538	Brush Set
53	690227	Stud (Carburetor)	333	492341	Armature-Magneto
54	691148	Screw (Intake Manifold)	334	691061	Screw (Magneto Armature)
73	697384	Screen-Rotating	337	691043	Plug-Spark
74	697987	Screw (Rotating Screen)	358	697151	Gasket Set-Engine
75	690582	Washer (Flywheel)	363	19203	Flywheel Puller
78	691003	Screw (Flywheel Guard)	383	89838	Wrench-Spark Plug
93	690602	Ø Bushing-Throttle Shaft			RPM Settings: Low Speed: 1900-2100 High Speed: 3000-3200
94	498030	Kit-Idle Mixture			
95	691636	Screw (Throttle Valve)			
98	495800	Kit-Idle Speed			
104	690525	Ø Pin-Float Hinge			
105	231855	Ø Valve-Float Needle			
106	690577	Ø Seat-Inlet			

- Included in Engine Gasket Set, Key. No. 358
- Ø Included in Carburetor Overhaul Kit, Key. No. 121
- ‡ Included in Carburetor Gasket Set, Key. No. 977
- + Included in Valve Gasket Set, Key. No. 1095

REPAIR PARTS

TRACTOR- -MODEL NO. 917.277101

BRIGGS & STRATTON ENGINE - - MODEL NUMBER 282H07, TYPE NUMBER 0239-E1

KEY NO.	PART NO.	DESCRIPTION	KEY NO.	PART NO.	DESCRIPTION
404	691691	Washer (Governor Crank)	868	690968	•+ Seal-Valve
431	697122	Elbow-Intake	876	495877	Kit-Pinion Spring
445	698083	Filter-Air Cleaner Cartridge	877	393456	Wire-Connector/Alternator
462	691261	Washer (Starter Cable)	896	691641	Pin-Drive Retainer
474	696459	Alternator	914	690960	Screw (Rocker Cover)
503	691532	Strap-Starter	947	694393	Solenoid-Fuel
505	691251	Nut (Governor Control Lever)	950	691657	Screw (Float Bowl)
510	693699	Drive-Starter	967	697015	Filter-Pre Cleaner
510A	497606	Drive-Starter	968	698403	Cover-Air Cleaner
513	692024	Clutch-Drive	975	495933	Bowl-Float
523	697086	Dipstick	977	690192	Gasket Set, Carburetor
524	691032	• Seal-Dipstick Tube	987	691326	∅ Seal Throttle Shaft
525	697184	Tube-Dipstick	1005	697853	Fan-Flywheel
544	692034	Starter-Armature	1019	697143	Kit-Label
544A	390837	Starter-Armature	1022	272475	•+ Gasket-Rocker Cover
552	697144	Bushing-Governor Crank	1023	692492	Cover-Rocker Arm
559	697561	Screw (Remote Choke)	1026	692003	Rod-Push (Intake)
559A	693675	Screw (Remote Choke)	-- --	692011	Rod-Push (Exhaust)
562	691119	Bolt (Governor Control Lever)	1029	691751	Arm-Rocker
579	691029	Nut (Starter Cable)	1034	690822	Guide-Push Rod
584	697112	Cover-Breather Passage	1036	695700	Label-Emission
601	95162	Clamp-Hose	1040	698368	Plate-Trim
614	691620	Pin-Cotter	1044	691658	Screw (Flywheel)
616	692012	Crank-Governor	1051	691265	Ring-Retaining
617	692138	∅ • Seal-O Ring (Intake Manifold)	1058	275038	Owner's Manual
634	690801	∅ Spring/Seal Assembly (Manual Choke)	1059	698516	Kit-Screw/Washer
634A	690802	∅ Spring/Seal Assembly (Choke A Matic)	1070	690372	Screw (Flywheel Fan)
635	691909	Boot-Spark Plug	1083	691626	Nut (Starter Terminal)
643	698401	Retainer-Air Filter	1083A	690958	Nut (Starter Terminal)
654	690958	Nut (Carburetor)	1090	691293	Retainer-Brush
691	692407	• Seal-Governor Shaft	1091	691333	Cap-Limiter
697	690372	Screw (Drive Cap)	1095	691581	Gasket Set-Valve
718	690959	Pin-Locating	1119	691183	Screw (Alternator)
729	691224	Clip-Wire	1263	697124	Reed-Breather
741	697128	Gear-Timing	1264	697104	Screw (Breather Reed)
757	697607	Link-Counterweight	1265	697125	Support-Blower Housing
758	697134	Counterweight	1266	691917	•∅ Seal-O Ring (Intake Elbow)
759	697392	Pin-Counterweight	1266A	697123	∅ Seal-O Ring (Intake Elbow)
783	693713	Gear-Pinion	1267	697575	Latch-Blower Housing
783A	693059	Gear-Pinion	1270	697156	Plug-AVS Counterweight
789	698329	Harness-Wiring	1279	690960	Screw (Blower Housing Support)
797	693167	Nut (Brush Retainer)			RPM Settings:
801	691283	Cap-Drive			Low Speed: 1900-2100
801A	394856	Cap-Drive			High Speed: 3000-3200
802	691286	Cap-End			
802A	395537	Cap-End			
803	693757	Housing-Starter			
803A	398159	Housing-Starter			
830	691095	Stud (Rocker Arm)			
842	691031	• Seal-O Ring (Dipstick Tube)			
847	697611	Dipstick/Tube Assembly			
851	692424	Terminal-Spark Plug			
					• Included in Engine Gasket Set, Key. No. 358
					∅ Included in Carburetor Overhaul Kit, Key. No. 121
					‡ Included in Carburetor Gasket Set, Key. No. 977
					+ Included in Valve Gasket Set, Key. No. 1095