



REPAIR PARTS MANUAL
MODEL NO. 277102
Lawn Tractor

92 AR MECA

CRAFTSMAN®

HOW TO USE THIS MANUAL

This manual is designed to provide the customer with a means to identify the parts on his/her tractor when ordering repair parts. The illustrations may or may not represent the actual assemblies; therefore, it is not recommended to use this manual as a guide to assemble or disassemble the tractor. Some hardware and parts are drawn larger in order to more readily identify them.

Each tractor has its own model number.

The model number for your tractor can be found on the fender under the seat.

When ordering parts, always give the following information:

- Product - "Tractor"
- Model Number - "277152"
- Part Number
- Part Description

TABLE OF CONTENTS

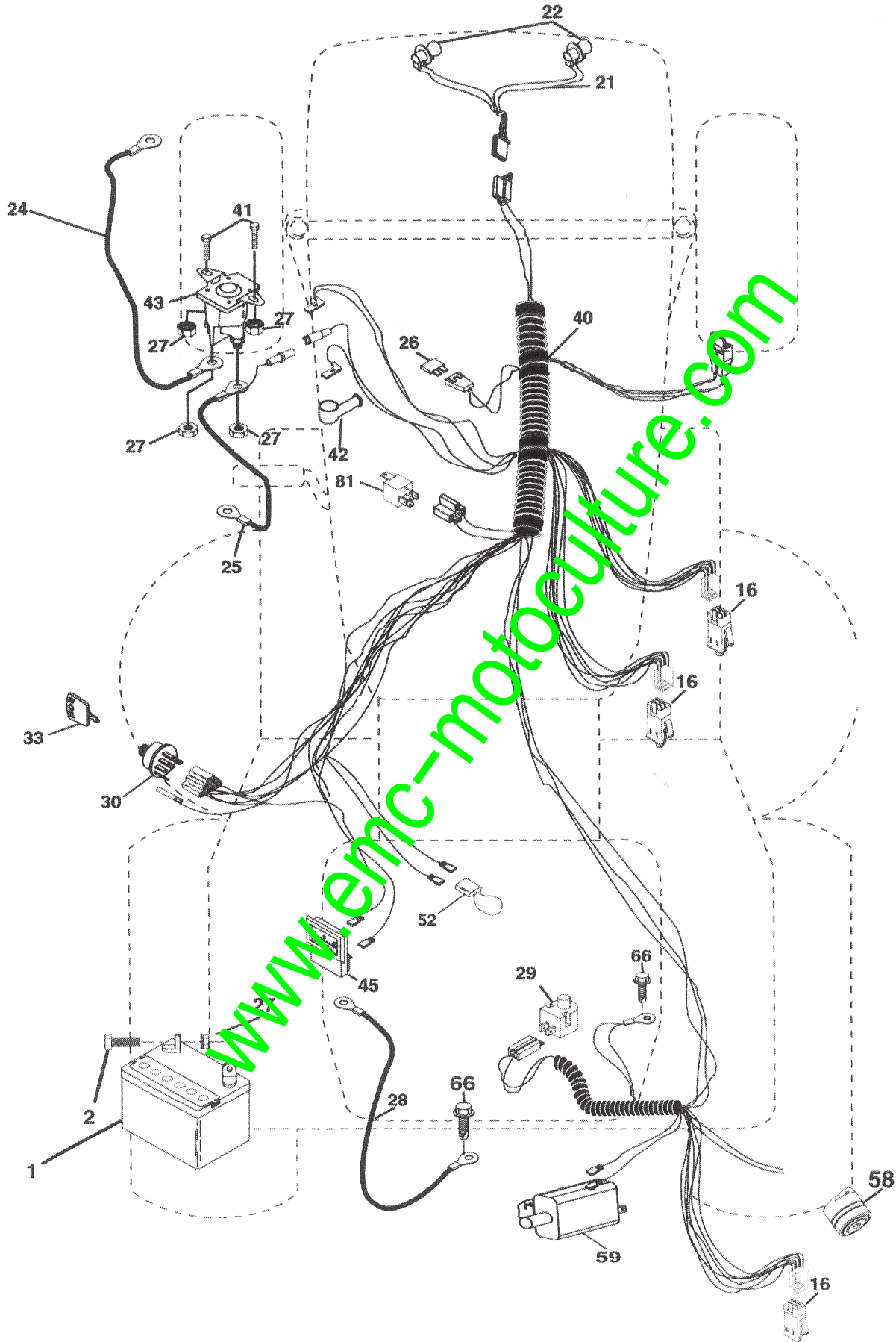
SCHEMATIC	3
ELECTRICAL.....	4-5
CHASSIS.....	6-7
DRIVE.....	8-9
STEERING	10-11
SEAT	12
DECALS.....	13
ENGINE.....	14
MOWER LIFT	15
MOWER DECK	16-17
TRANSAXLE.....	18-19
ENGINE BREAKDOWN.....	20-25
WARRANTY.....	27

REPAIR PARTS

TRACTOR- -MODEL NO. 917.277102

30 MAR 2004

ELECTRICAL



REPAIR PARTS

TRACTOR- -MODEL NO. 917.277102

ELECTRICAL

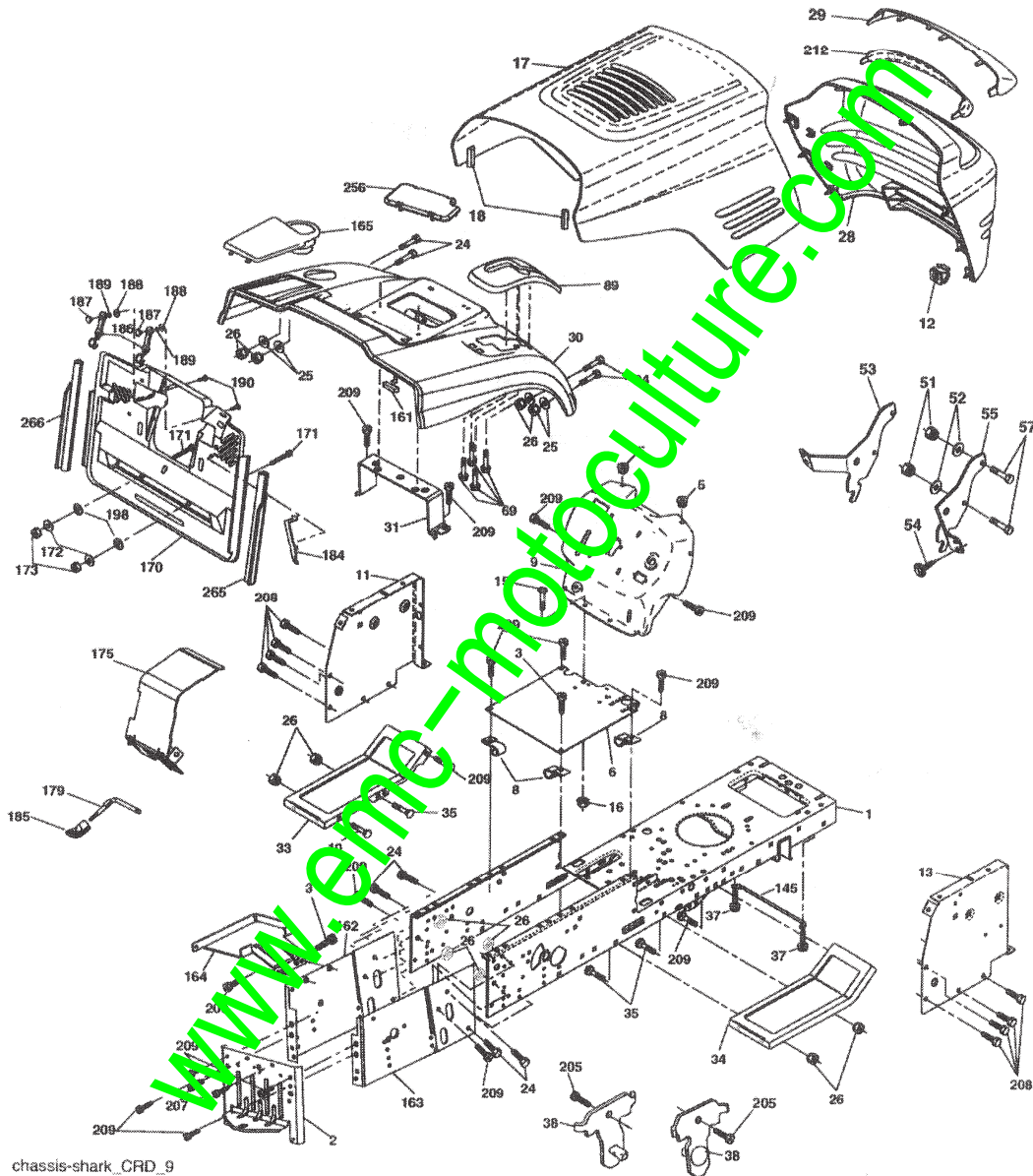
KEY NO.	PART NO.	DESCRIPTION
1	163465	Battery
2	74760412	Bolt Hex Hd 1/4-20 Unc x 3/4
16	176138	Switch Interlock Push-In
21	175688	Harness Asm Light W/4152J
22	4152J	Bulb Light #1156
24	4799J	Cable Starter 6 Ga. 11" Red
25	165987	Cable Battery Crd 56" Red
26	175158	Fuse
27	STD541425	Nut Keps Hex 1/4-20 unc
28	127725X	Cable Ground 6 Ga. 18" Black
29	121305X	Switch Plunger Normal Op Gray
30	175566	Switch Ignition
33	140403	Key Ign Molded
40	179728	Harness Ign Crd Noram
41	71110408	Bolt Flk Fin Hex 1/4-20 unc x 1/2
42	131563	Cover Terminal Red
43	178861	Solenoid
45	121433X	Ammeter Rectangular
52	141940	Protection Wire Loop
58	169419	Buzzer Crd
59	180379	Switch FBI CRD
66	17490608	Screw Thdrol 3/8-16 x 1/2 Ty-Tt
81	109748X	Relay Asm

NOTE: All component dimensions given in U.S. inches.
1 inch = 25.4 mm.

REPAIR PARTS

TRACTOR- -MODEL NO. 917.277102

CHASSIS AND ENCLOSURES



REPAIR PARTS

TRACTOR- -MODEL NO. 917.277102

CHASSIS AND ENCLOSURES

KEY NO.	PART NO.	DESCRIPTION	KEY NO.	PART NO.	DESCRIPTION
1	174620	Chassis Assembly	69	142432	Screw Hex 1/4-1/2 Unc
2	180384	Drawbar	89	177288X428	Console
3	17060612	Screw 3/8-16 x .75	145	156524	Rod Pivot Chassis/Hood
5	155272	Bumper Hood/Dash	162	180382	Bracket Exten Chassis Lh CRD
6	184419	Saddle	163	180383	Bracket Exten Chassis Rh CRD
8	126471X	Clip Insulator 13/32 Mtg. Hole	164	165605	Support Battery CRD
9	168348X013	Dash Slkscr	165	179020X428	Cover Battery CRD Lt
10	STD533710	Bolt, Carriage 3/8-16 x 1	170	178862	Backplate Asm CRD
11	174996	Panel, Dash, L.H.	171	72140620	Bolt Rdhd Sqnk 3/8-16 x 2-1/2
12	145660	Clip, Tinnerman Grille P/L	172	19132016	Washer 13/32 x 1-1/4 x 16 Ga.
13	172105X010	Panel, Asm. Dash R.H.	173	STD541437	Nut, Keps Hex 3/8-16 unc
15	74180512	Screw, Machine, Truss Head 5/16-18 UNC x 3/4	175	189303	Door Trap
16	STD541431	Nut Keps 5/16-18 UNC	179	148202	Rod Pivot FBI CRD
17	144983X558	Hood Assembly	184	174662	Bracket Actuator Bagger CRD
18	184921	Bumper Hood	185	179608X505	Knob Rod Brake Parking
24	STD523710	Bolt Fin Hex 3/8-16 unc x 1. Gr 5	186	140793	Latch Asm Mulch/Bagger
25	19131312	Washer 13/32 x 13/16 x 12 Gauge	187	2029J	Nut Weld .327/.304 #10-24
26	STD541437	Nut Lock Hex w/Ins 3/8-16 unc	188	19061216	Washer #10
28	178987X558	Grille/Lens Asm	189	STD551110	Washer Lock #10
29	155217X599	Lens, Grille	190	71081010	Screw Pan Hd Phillips 10-24
30	169962X588	Fender	198	168937	Nut, Push
31	165156	Bracket, Fender Support	205	17490608	Screw Thdrol 5/8-16 x 1/2
33	179716X558	Footrest, L.H.	207	17670508	Screw Thdrol 5/16-18 x 1/2
34	179717X558	Footrest, R.H.	208	17670608	Screw Thdrol 3/8-16 x 1/2 TYT
35	STD533107	Bolt RDHD SHT SQNK 3/8-16 x 3/4	209	17000612	Screw Hex Wsh Thdrol 3/8-16
37	17490508	Screw Thdrol 5/16-18 x 1/2 TYT	212	165919	Insert Lens Reflective
38	181748	Pivot Bracket Assembly	214	4497H	Retainer Spring 1"
51	73800400	Nut Lock w/Insert 1/4-20 unc	256	180810X428	Cover Fender Rack
52	19091416	Washer 9/32 x 7/8 x 16 Ga.	265	185704	Seal Side RH
53	145201	Bracket, Grille LH	266	185703	Seal Side LH
54	161464	Screw Hex WSHD 5/16 x 7/8	--	5479J	Plug, Button
55	145202	Bracket, Grille RH			
57	STD522507	Bolt, Fin Hex 1/4-20 unc x .75			

NOTE: All component dimensions given in U.S. inches.
1 inch = 25.4 mm.

REPAIR PARTS

TRACTOR- -MODEL NO. 917.277102

DRIVE

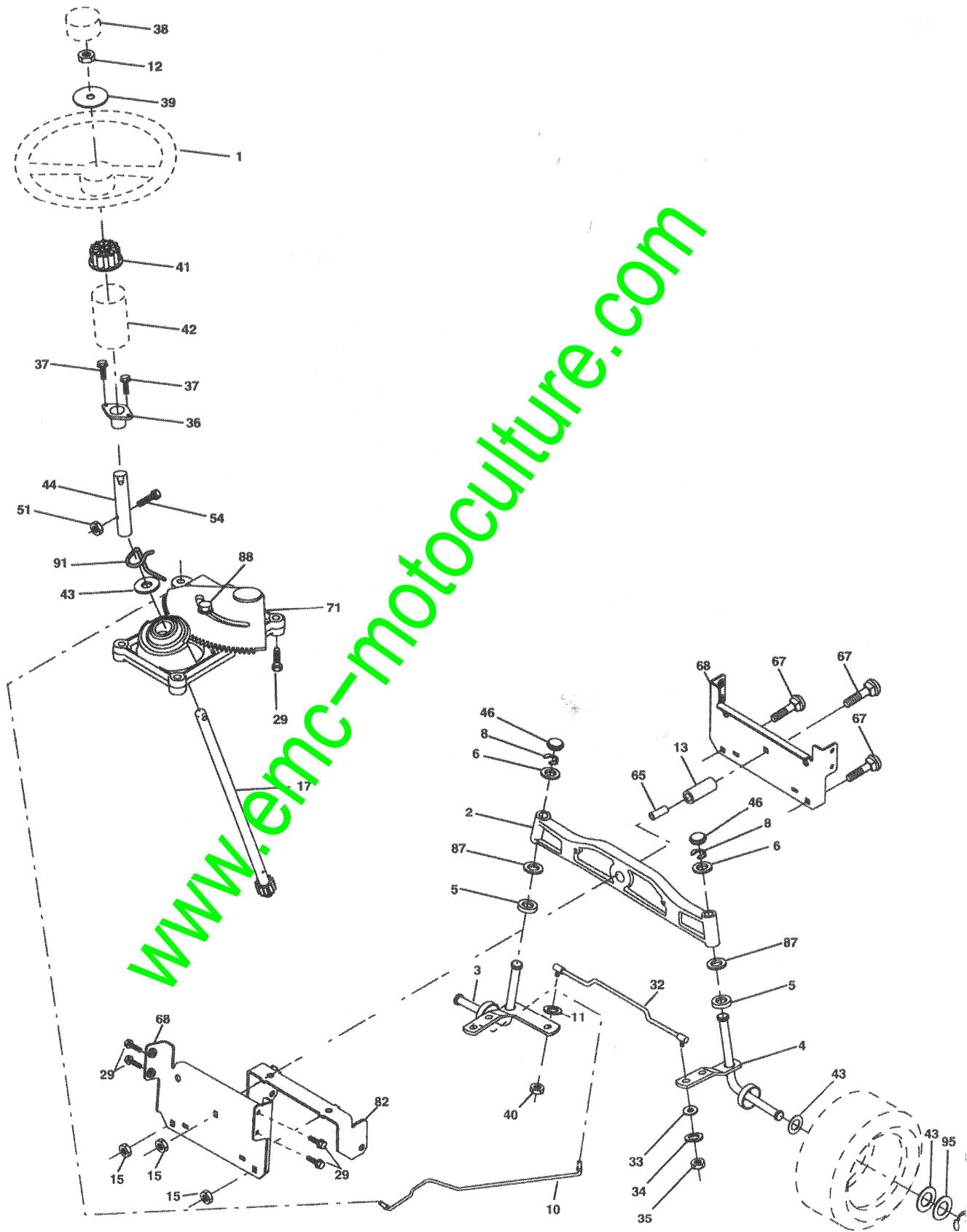
KEY NO.	PART NO.	DESCRIPTION	KEY NO.	PART NO.	DESCRIPTION
1	-----	Transaxle (See Breakdown)	78	121748X	Washer 25/32 x 1-5/8 x 16 Ga.
2	146682	Peerless 206-546	79	STD580025	Key Woodruff #9 3/16 x 3/4
3	165999	Spring Brake Return	80	145090	Arm Shift Pmst 20" Tires
4	12000028	Pulley Transaxle	82	165711	Spring, Torsion
5	121520X	Ring Retainer #5100-62	83	19171216	Washer 17/32 x 3/4 x 16 Ga.
6	121520X	Strap Torque 30 Degrees	84	165621	Link, Shift
8	17060512	Screw 5/16-18 x 3/4	96	STD624003	Spring, Retainer 1"
8	165619	Rod, Shift Fender Adjust Lt	112	19091210	Washer 9/32 x 3/4 x 10 Ga.
9	180354	Clutch Noram	120	73900600	Nut Lock Flg 3/8-16 Unc
10	STD561210	Pin, Cotter 1/8 x 1	150	165850	Bushing, Bellcrank Grnd Dr
11	105701X	Wash Plate Sht .388 Square Hole	151	19133210	Washer 13/32 x 2 x 10 Ga.
13	74550412	Bolt 1/4-28 Unf Gr 8 w/Patch	156	166002	Washer Srrted 5/16ID x 1.125
14	STD551125	Washer, Lock Hvy Helical 1/4	158	165589	Bracket Shift Mount
15	74490544	Bolt Hex FGHD 5/16-18 x Gr 5	159	185900	Hub Tapered Flange Shift Lt
16	STD541431	Nut Lock Hex W/Wsh 5/16-18 Unc	161	72140106	Bolt Rdhd Sqnk 1/4-20 x 3/4 Gr 5
18	STD523710	Bolt Hex 3/8-16 UNC x 1 Gr.5	162	73680400	Nut Crownlock 1/4-20 Unc
19	STD541437	Nut Lock Hex W/Wsh 3/8-16 Unc	163	74780416	Bolt Hex Fin 1/4-20 Unc x 1 Gr 5
21	106933X	Knob Rd 1/2-13 Plstc Thds Blk	164	19091010	Washer 5/8 x .281 x 10 Ga.
22	175607	Rod, Brake CRD Pmst	165	165623	Bracket Pivot Lever
24	STD541237	Nut Hex Jam 3/8-16 UNC	166	17490510	Screw 5/16-18 x 5/8
25	106888X	Spring, Rod, Brake	167	165588	Bracket Support Shift CRD
26	STD551037	Washer 13/32 x 13/16 x 16 Ga.	168	165492	Bolt Shoulder 5/16-18 x .561
27	STD561210	Pin, Cotter 1/8 x 3/4	171	17490608	Screw Thdrol 3/8-16 x 1/2 Ty-Tt
28	175765	Rod, Parking Brake	172	165635	Shaft Shift Front CRD
29	71673	Cap, Parking Brake	177	165932	Keeper Flat Idler 3.06" CRD
30	174973	Bracket, Mfg. Transaxle	178	165933	Keeper Belt Idler 1.88" CRD
34	175578	Shaft, Asm Pedal Foot CRD	179	120958X	Washer Sintered
35	120183X	Bearing, Nylon	180	165630	Pulley Flat Idler 1.88"
36	STD551062	Washer 21/32 x 1 x 16 Ga.	181	180211	Bracket Idler Ground Drive CRD
37	STD571810	Pin, Roll 3/16 x 1"	182	182682	Keeper Belt 2.5" Od V-Idler CRD
38	165936	Pulley Flat Composite 3.06"	183	186007	Pulley V-Idler 2.50" Od CRD
39	74760644	Bolt Fin Hex 3/8-16 UNC x 2-3/4	184	17490644	Screw Hexwsh Thdrol 3/8-16 x 2-3/4
40	4470J	Spacer, Split 395 x 59 27r	187	17580520	Screw Thdrol 5/16-18 x 1.25
42	19131312	Washer 13/32 x 13/16 x 12 Ga.	203	71170780	Bolt Hex 7/16-20 x 5
43	19111012	Washer 11/32 x 5/8 x 12 Ga.	207	169845	Washer Nylon
47	127783	Pulley, Idler, V Groove Plstc	214	175609	Shaft Asm Brake
48	154407	Bellcrank Clutch Grnd Drv	215	175651	Rod Brake
49	123205X	Retainer, Belt Style Spring	253	175028	Bracket Cable Chassis
50	72110612	Bolt Carr. Sh 3/8-16 x 1-1/2 Gr. 5	254	17000616	Screw 3/8-16 x 1
51	STD541437	Nut, Crownlock 3/8-16 UNC	255	175608	Brace Shaft Brake
53	105710X	Link, Clutch 7.66	258	178062	Clip Retainer
55	105709X	Spring, Return, Clutch	261	131494	Pulley Idler
56	STD523712	Bolt, Hex 3/8-16 UNC x 1-1/4	263	17000612	Screw Hex Wsh Thdr 3/8-16 x 3/4
57	165631	V-Belt Rev 111" Pmst CRD	264	181995	Bracket Clutch Mounting
62	8883R	Cover, Pedal	265	182013	Spacer Idler Chassis
65	STD551143	Washer	266	182061	Shield Idler
66	154778	Keeper, Belt Engine F-Proof	267	72140626	Bolt Rdhd 3/8-16 x 3 1/4
74	137057	Spacer, Axle	268	182402	Guard Muffler RH
75	121749X	Washer 25/32 x 1-1/4 x 16 Ga.	275	19131614	Washer 13/32 x 1 x 14 Ga.
76	STD581075	Ring, E			
77	123583X	Key, Square			

NOTE: All component dimensions given in U.S. inches
1 inch = 25.4 mm

REPAIR PARTS

TRACTOR- -MODEL NO. 917.277102

STEERING ASSEMBLY



REPAIR PARTS

TRACTOR- -MODEL NO. 917.277102

STEERING ASSEMBLY

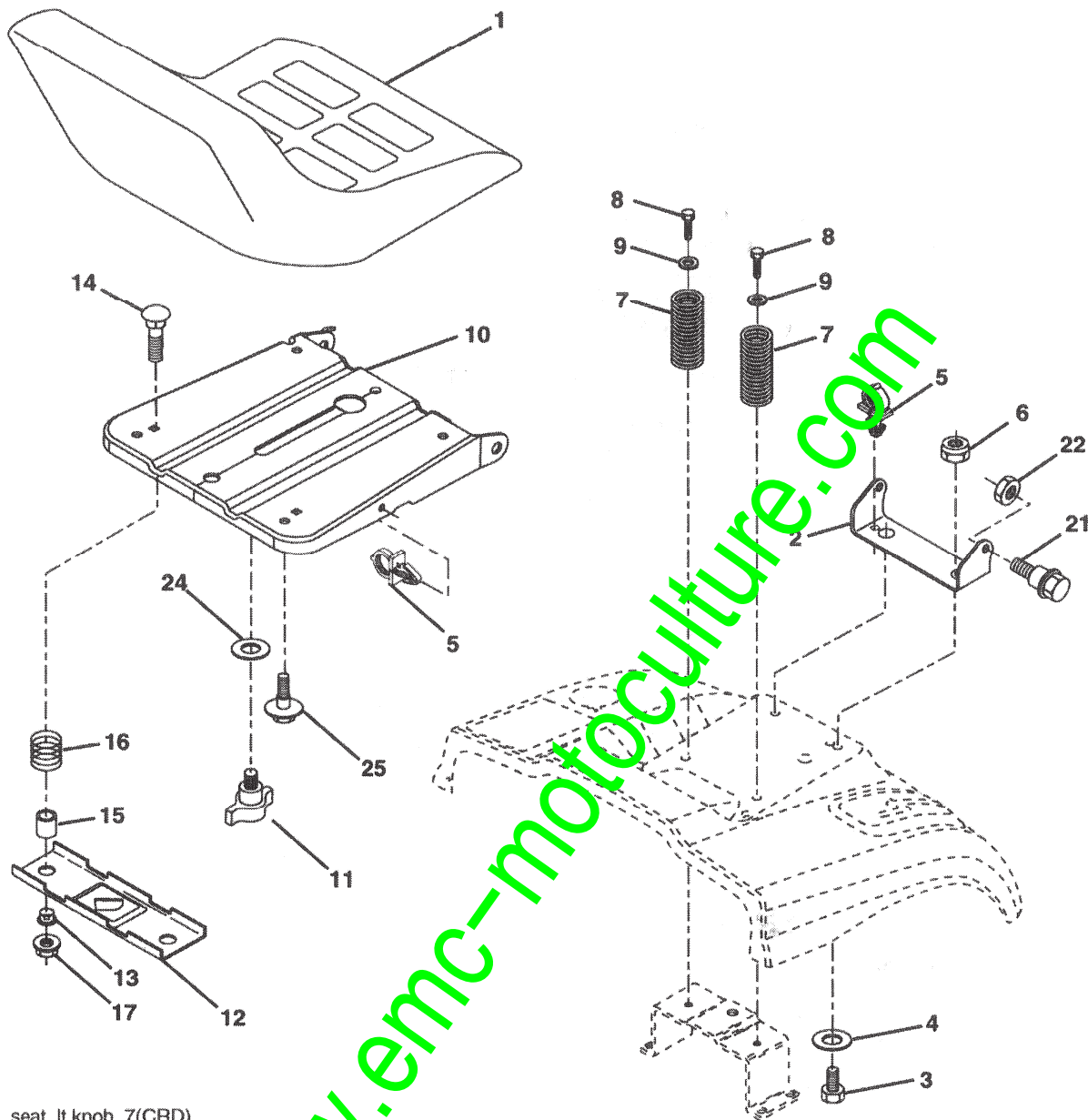
KEY NO.	PART NO.	DESCRIPTION
1	139768	Steering Wheel
2	184706	Front Axle Assembly
3	169840	Spindle Assembly, L.H.
4	169839	Spindle Assembly, R.H.
5	6266H	Bearing, Race, Thrust, Hardened
6	121748X	Washer 25/32 x 1-5/8 x 16 Gauge
8	1200029	Ring, Klip
10	175121	Link, Drag
11	STD551137	Washer, Lock
12	73940800	Nut Hex Jam Toplock 1/2-20 UNF
13	136518	Spacer Axle
15	145212	Nut, Hexflange Lock
17	180641	Shaft Assembly, Steering
29	17000612	Screw, 3/8-16 x 3/4 SMGML Tap/R
32	170162	Rod, Tie
33	19111216	Washer 11/32 x 3/4 x 16 Ga.
34	10040500	Washer Lock Hvy Hchl Spr 5/16
35	73540500	Nut Crownlock 5/16-24 Unf
36	155099	Bushing, Steering
37	152927	Screw TT #10-32 x 5 x 3/8 Flange
38	139769	Cap Wheel Steering
39	19183812	Washer 9/16 ID x 2-3/8 OD 12 Ga
40	73540600	Nut Crownlock 3/8-24
41	186737	Adaptor, Steering Wheel
42	145054X428	Boot, Steering Dash
43	121749X	Washer 25/32 x 1-1/4 x 16 Gauge
44	180640	Extension Steering Non-Adjust
46	184146X505	Cap, Spindle
51	73540400	Nut Crownlock 1/4-28
54	71130420	Bolt 1/4-28 UNF x 1-1/4 Ga 8
65	160367	Spacer Brace Axle
67	72110618	Bolt RDHD SQ 3/8-16 x 2-1/4
68	169827	Brace Axle
71	175146	Steering Asm.
72	169835	Bracket Susp Chassis Front
77	173966	Washer FLat .781 x 1-1/2 x .14
88	175118	Bolt Shoulder
91	175553	Clip Steering
95	188967	Washer Harden .739 x 1.637 x 060

NOTE: All component dimensions given in U.S. inches.
1 inch = 25.4 mm.

REPAIR PARTS

TRACTOR- -MODEL NO. 917.277102

SEAT ASSEMBLY



seat_lt.knob_7(CRD)

KEY NO.	PART NO.	DESCRIPTION
1	140122	Seat
2	140551	Bracket Pnt Pivot Seat (blk)
3	71110616	Bolt Fin Hex 3/8-16 Unc x 1
4	19131610	Washer Flat 13/32 x 1 x 10 Ga.
5	145006	Clip Push In Hinged
6	73800600	Nut Lock Hex 3/8-16 Unc
7	124181X	Spring Seat Cprsn 2 250 Blk Zi
8	17000616	Screw 3/8-16 x 1
9	19131614	Washer 13/32 X 1 X 14 Ga
10	182493	Pan Pnt Seat
11	166369	Knob Seat Adj Wingnut
12	121246X	Bracket Pnt Mounting Switch

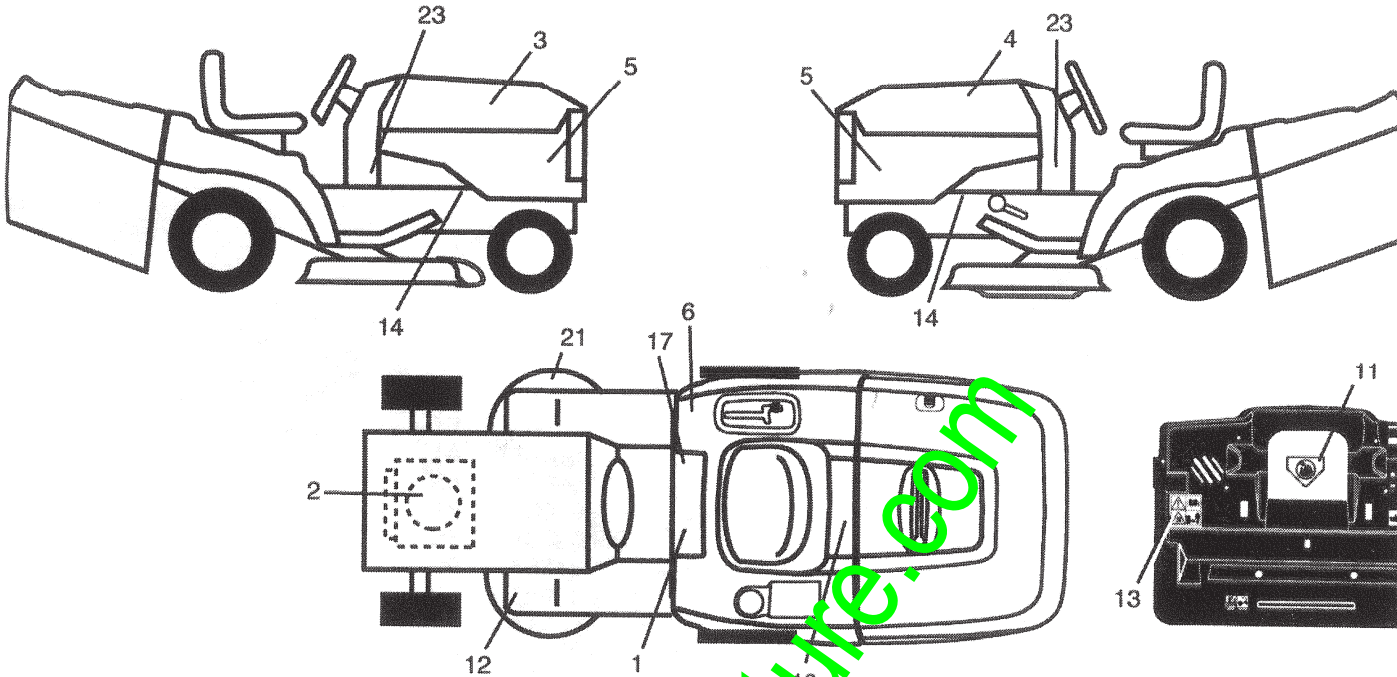
KEY NO.	PART NO.	DESCRIPTION
13	121248X	Bushing Snap Blk Nyl 50 Id
14	72050412	Bolt Rdhd Sht Nk 1/4-20x1-1/2
15	134300	Spacer Split .28 X .96 Zinc
16	121250X	Spring Cprsn
17	123976X	Nut Lock 1/4 Lge Flg Gr 5 Zinc
21	171852	Bolt Shoulder 5/16-18 Unc-2A
22	73800500	Nut Hex Lock w/lns 5/16-18
24	19171912	Washer 17/32 X 1-3/16 X 12 Ga
25	127018X	Bolt Shoulder 5/16-18 X 62

NOTE: All component dimensions given in U.S. inch
1 inch = 25.4 mm

REPAIR PARTS

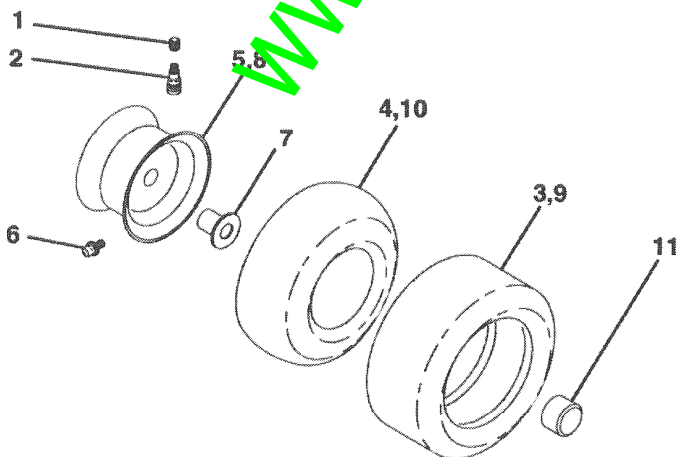
TRACTOR--MODEL NO. 917.277102

DECALS



KEY NO.	PART NO.	DESCRIPTION	KEY NO.	PART NO.	DESCRIPTION
1	145498	Decal Read Owner's Manual Sym	14	159736	Decal Chassis Hot Muffler
2	184846	Decal Hp Engine	17	140837	Decal Saddle Brake Parking
3	171696	Decal Hood Rh	21	166286	Decal Deck Sch 92 CRD
4	171697	Decal Hood Lh	23	177097	Decal Panel Dash
5	177253	Decal Hood Side L71000 LT	—	138311	Decal Lift Handle
6	180432	Decal 100 DB/CE	—	179768X428	Pad Footrest LH
9	163204	Decal Fender Logo	—	182621	Decal Bagger Frame Assy
10	145005	Decal Bat Dan/Poi P/L Sym Wpn	—	179769X428	Footrest Pad RH
11	182166	Decal Mower Cut Finger Symbol	—	190886	Manual Operator's (Euro)
12	159737	Decal Brake/Clutch Symbol Lt	—	190887	Manual Operator's (Scand)
13	180435	Decal Warn Back Plate CRD Symbols	—	190888	Manual Parts

WHEELS & TIRES



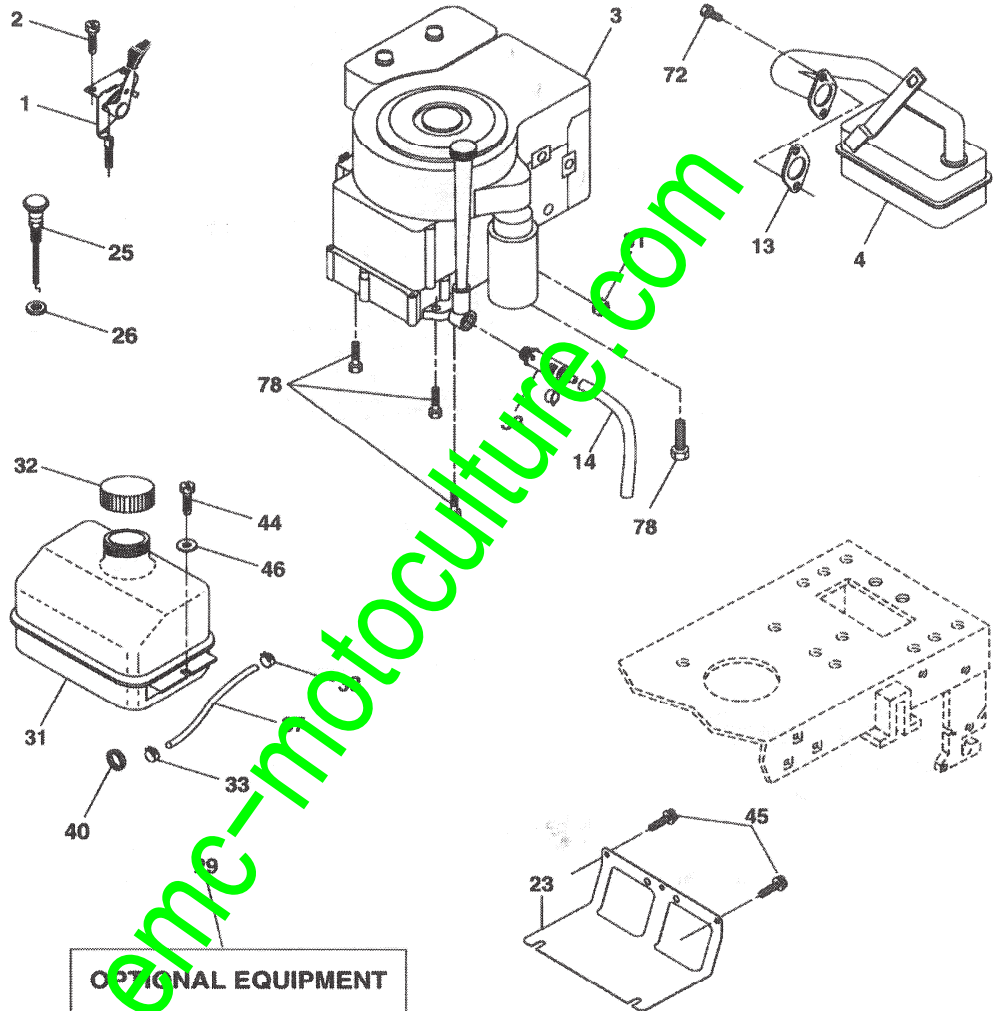
KEY NO.	PART NO.	DESCRIPTION
1	59192	Cap Value Tire
2	65139	Stem Value
3	106222X	Tire F Ts 15 X 6 0 - 6 Service
4	59904	Tube Inner Front #35060
5	106732X624	Rim Asm 6" front White Service
6	278H	Fitting Grease
7	9040H	Bearing Flange
8	106108X624	Rim Asm 8" rear White Service
9	106268X	Tire R Ts 18 x 9.5-8 Service
10	7152J	Tube Rear 9 5 X 8 Service
11	104757X428	Cap Axle Blk 1 50 X 1 00
--	144334	Sealant, Tire (10 oz. tube)

NOTE: All component dimensions given in U.S. inches
1 inch = 25.4 mm

REPAIR PARTS

TRACTOR- -MODEL NO. 917.277102

ENGINE



engine-bs.1cyl_38

REPAIR PARTS

TRACTOR- -MODEL NO. 917.277102

ENGINE

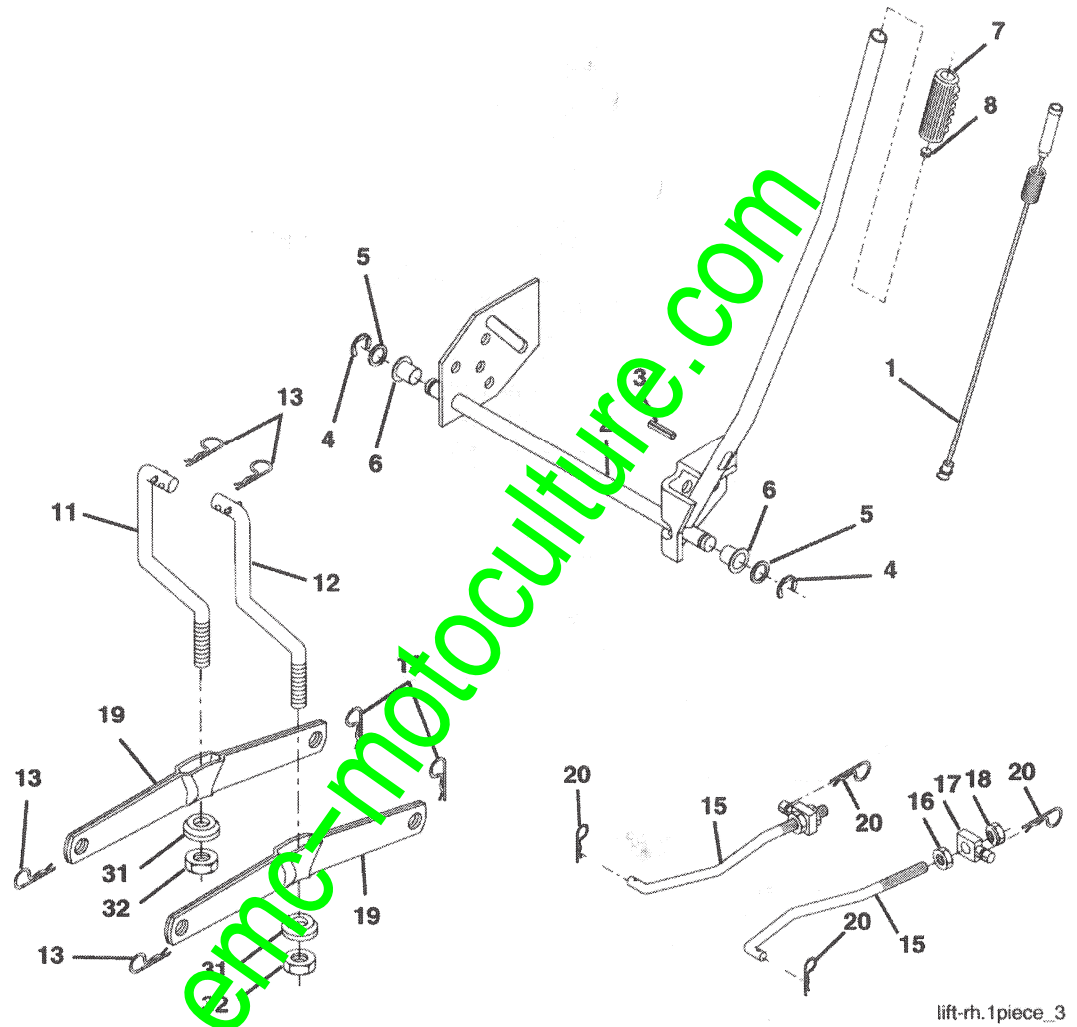
KEY NO.	PART NO.	DESCRIPTION
1	170545	Control Throt /Ch
2	17720408	Screw Hex Thd Cut 1/4-20 x 1/2
3	-----	Engine (See Breakdown) Briggs Model 282H07-0239-E1
4	137352	Muffler Exhaust B&S Lt
13	165291	Gasket 1 313 Id Tin Plated
14	148456	Tube Drain Oil Easy
23	169837	Shield Browning/Debris Guard
25	180945	Control Choke
26	73920600	Nut Keps
29	137180	Arrestor Spark
31	184900	Tank Fuel 1.25 Gp
32	140527	Cap Asm Fuel
33	123487X	Clamp Hose Blk
37	137040	Line Fuel 20"
38	181654	Plug Oil Drain Easy
40	124028X	Bushing Snap
44	17670412	Screw Hexwsh Thdrol 1/4-20x3/4
45	17000612	Screw Hexwsh Thdr 3/8-16 x 3/4
46	19091416	Washer 9/32 X 7/8 X 16ga
72	183906	Screw Socket Head 5/16-18 x 1
78	17060620	Screw 3/8-16x1-1/4
81	73510400	Nut Keps 1/4-20 Unc

NOTE: All component dimensions given in U.S. inches
1 inch = 25.4 mm

REPAIR PARTS

TRACTOR- -MODEL NO. 917.277102

MOWER LIFT



REPAIR PARTS

TRACTOR- -MODEL NO. 917.277102

MOWER LIFT

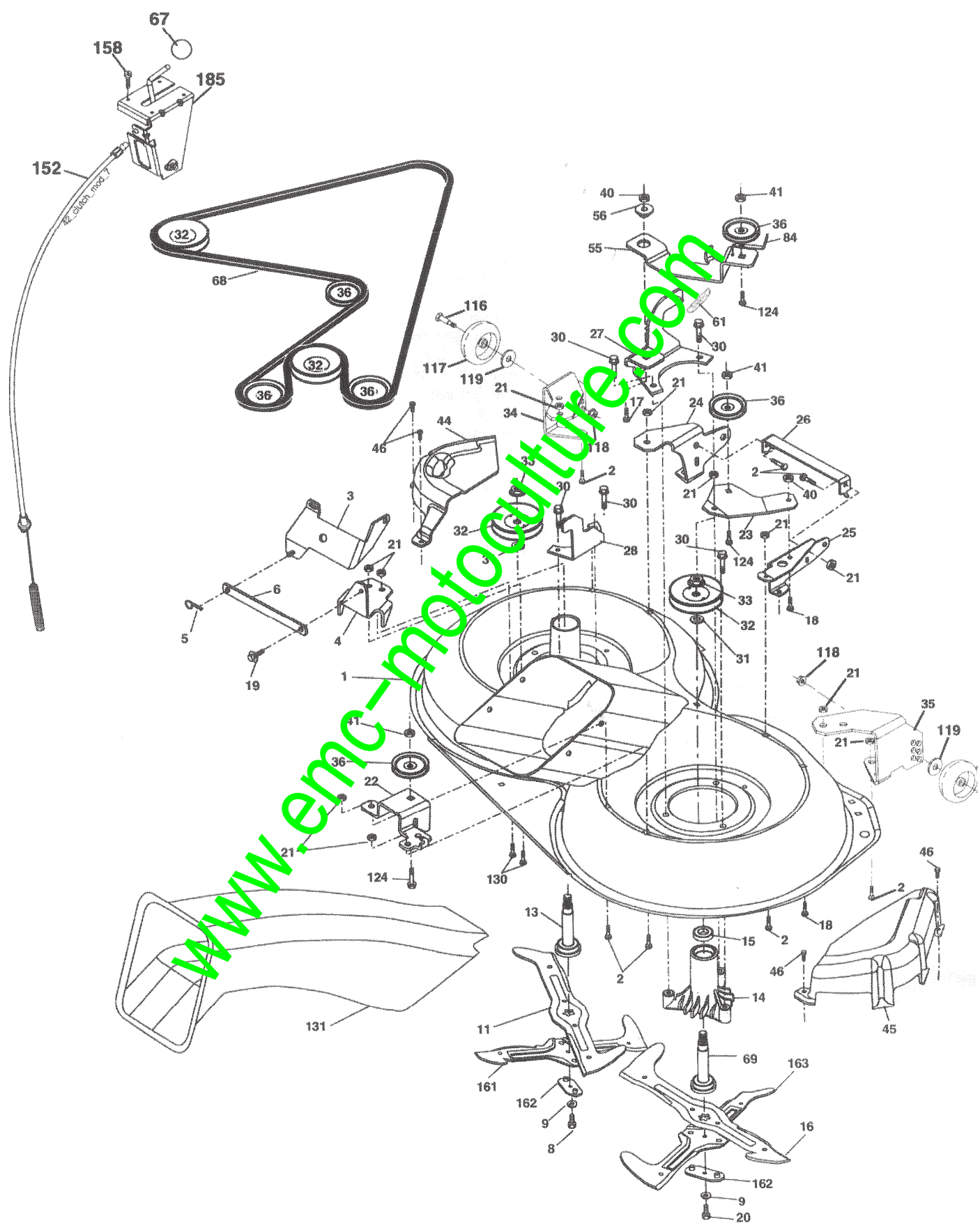
KEY NO.	PART NO.	DESCRIPTION
1	159460	Washer Asm Inner Spring W/ Plunger
2	159471	Shaft Asm. Lift
3	105767X	Pin Groove
4	STD581062	E Ring #5133-62
5	19211621	Washer 21/32 x 1 x 21/32
6	120183X	Bearing Nylon
7	125631X	Grip Handle
8	124526X	Button Plunger Block
11	165829	Link Asm Lift L.H.
12	165831	Link Asm Lift R.H.
13	STD624008	Retainer Spring
15	173288	Link Front
16	73350800	Nut Jam Hex 1/2-13 Unc
17	175689	Trunnion Blk Zinc
18	73800800	Nut Lock w/wsh 1/2-13 Unc
19	139868	Arm Suspension Mower
20	163552	Retainer Spring
31	169865	Bearing, Pvt. Lift.
32	73540600	Nut Crownlock 3/8-24

NOTE: All component dimensions given in U.S. inches
1 inch = 25.4 mm

REPAIR PARTS

TRACTOR- -MODEL NO. 917.277102

MOWER



REPAIR PARTS

TRACTOR- -MODEL NO. 917.277102

MOWER

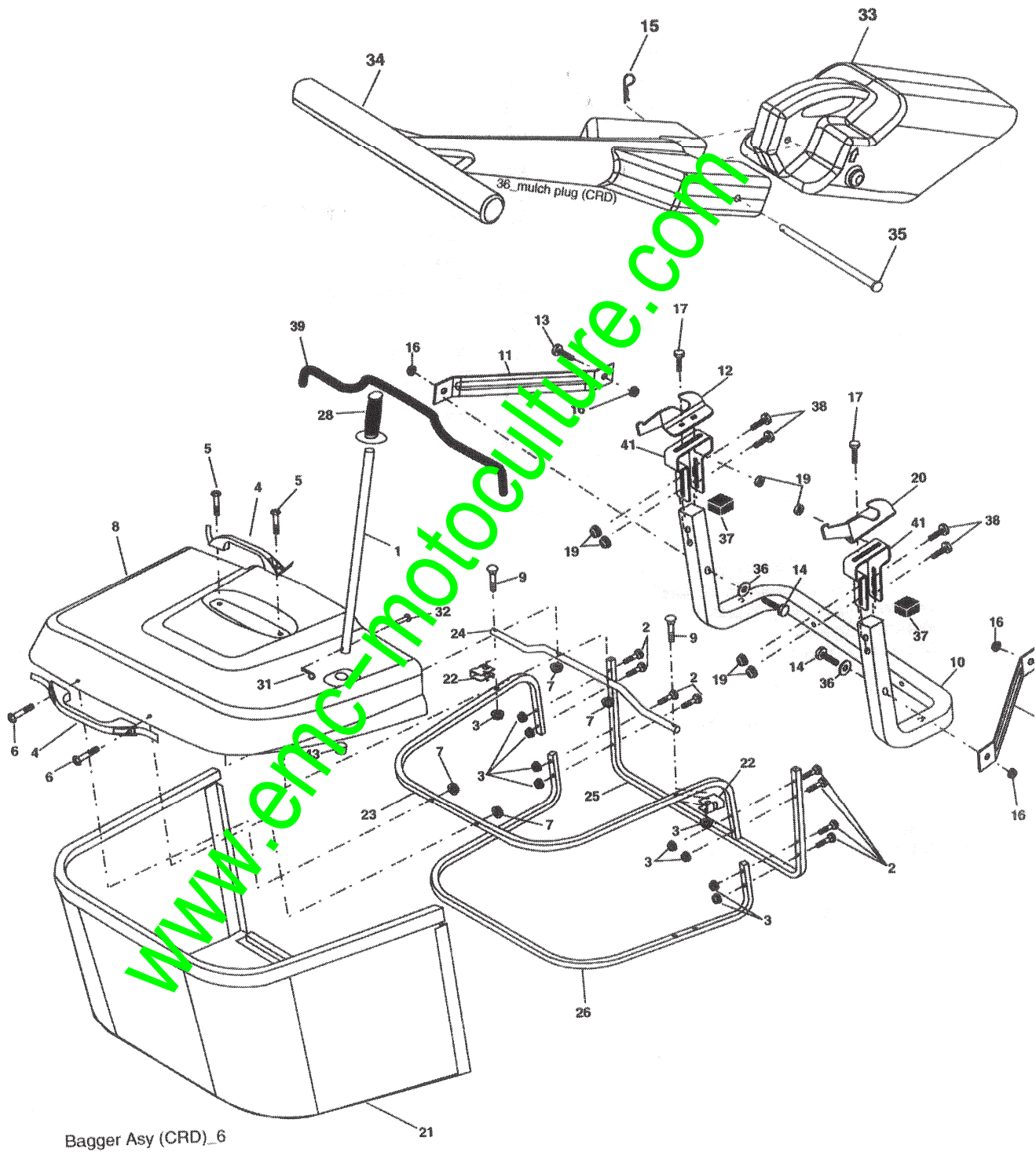
KEY NO.	PART NO.	DESCRIPTION	KEY NO.	PART NO.	DESCRIPTION
1	165552	Housing Asm. Mower 92 CRD	46	137729	Screw Thd Roll 1/4-20 x 5/8
2	72140506	Bolt Rdhd Sqnk 5/16-18 Unc x 3/4	55	165445	Arm Idler 92 CRD
3	165569	Bracket Asm. S-Bar Chass 92 CRD	56	165723	Spacer Retainer Mower
4	165558	Bracket Bar Sway Deck 92 CRD	61	165945	Spring Tension Belt
5	4939M	Retainer Spring	67	106932X	Knob Rd 3/8-16 Plstdc Thds Bl
6	165557	Bar Sway 92 CRD	68	180217	Hex-Belt 92 Mower
8	181712	Bolt 3/8-24 x 1.25 Gr8 Patched	69	165482	Shaft Asm W/Lwr Brg Rh Thd C
9	10030600	Washer Lock Hvy 3/8 Unplated	84	156085	Keeper Belt Idler
11	186385	Blade 3-1 Lh 92 CRD	116	184219	Bolt Shoulder
13	137645	Shaft Asm. W/Lower Bearing	117	132957	Wheel Gage Donut Wide
14	128774	Housing Mandrel Vented (Machd)	118	73930500	Nut Centerlock 3/8-16 Unc
15	110485X	Bearing Ball Mandrel	119	19121414	Washer 3/8 x 7/8 x 14 Ga.
16	186386	Blade 3-1 Rh 92 CRD	124	2110612	Bolt Carr Sh 3/8-16 x 1-1/2 Gr8
17	72140610	Bolt Carriage 3/8-16 x 1-1/4	130	72110506	Bolt Rdhdsqnk 5/16-18 Unc x 3/4
18	72110606	Bolt Rdhd Sqnk 3/8-16 x 3/4	131	165661	Chute Bagger CRD 92cm
19	132827	Bolt Shoulder 5/16-18 Thd Form	151	169670	Bracket Clutch Cable
20	181713	Bolt 3/8-24 x 1.25 Gr8 Ptch Lhthd	152	176074	Cable Clutch CRD Service
21	73680500	Nut Crown Lock 5/16-18	153	169674	Washer Flat 3/8" Type B
22	165243	Bracket Idler Sprt RR 92 CRD	154	169675	Spring Retainer
23	165446	Bracket Idler Sprt RF 92 CRD	155	169671	Spring Retention Lvr Clutch Ca
24	165242	Bracket Suspension LF 92 CRD	156	169672	Spacer Clutch Cable
25	165244	Bracket Suspension RF 92 CRD	157	169669	Rod Clutch Cable 3/8"
26	165237	Brace Support Susp Frt CRD	158	17720408	Screw Thd Cut 1/4-20 x 1/2
27	165568	Bracket Asm. Susp RR 92 CRD	161	186387	Blade Cross LH
28	165567	Bracket Asm. Susp LR 92 CRD	162	180878	Adapter Blade Cross
30	173984	Screw Thd Rolling Washer Head	163	186388	Blade Cross RH
31	187690	Washer Spacer	--	181857	Mandrel Asm Service (Include: Housing, Shaft and Shaft Hard Only - Pulley Not Included)
32	153531	Mandrel Pulleys 36 & 46	--	181858	Mandrel Asm CRD Lh Threads
33	178342	Nut Flg Top Lock Cnt B 9/16	--	188523	Replacement Mower Complete (Order separately gauge whee components key nos. 116-119)
34	165239	Bracket Gauge Wheel Lf 92 CRD			
35	165238	Bracket Gauge Wheel Rf 92 CRD			
36	146763	Pulley Idler V-Groove Dim 4.25			
37	19131316	Washer 11/32 x 13/16 x 16 Ga.			
40	73680600	Nut Crownlock 3/8-16 unc			
41	73900600	Nutlock Flg 3/8-16 unc			
44	175538	Cover Mandrel Lh 92 CRD			
45	175539	Cover Mandrel Rh 92 CRD			

NOTE: All component dimensions given in U.S. inc
1 inch = 25.4 mm

REPAIR PARTS

TRACTOR- -MODEL NO. 917.277102

BAGGER



REPAIR PARTS

TRACTOR- -MODEL NO. 917.277102

BAGGER

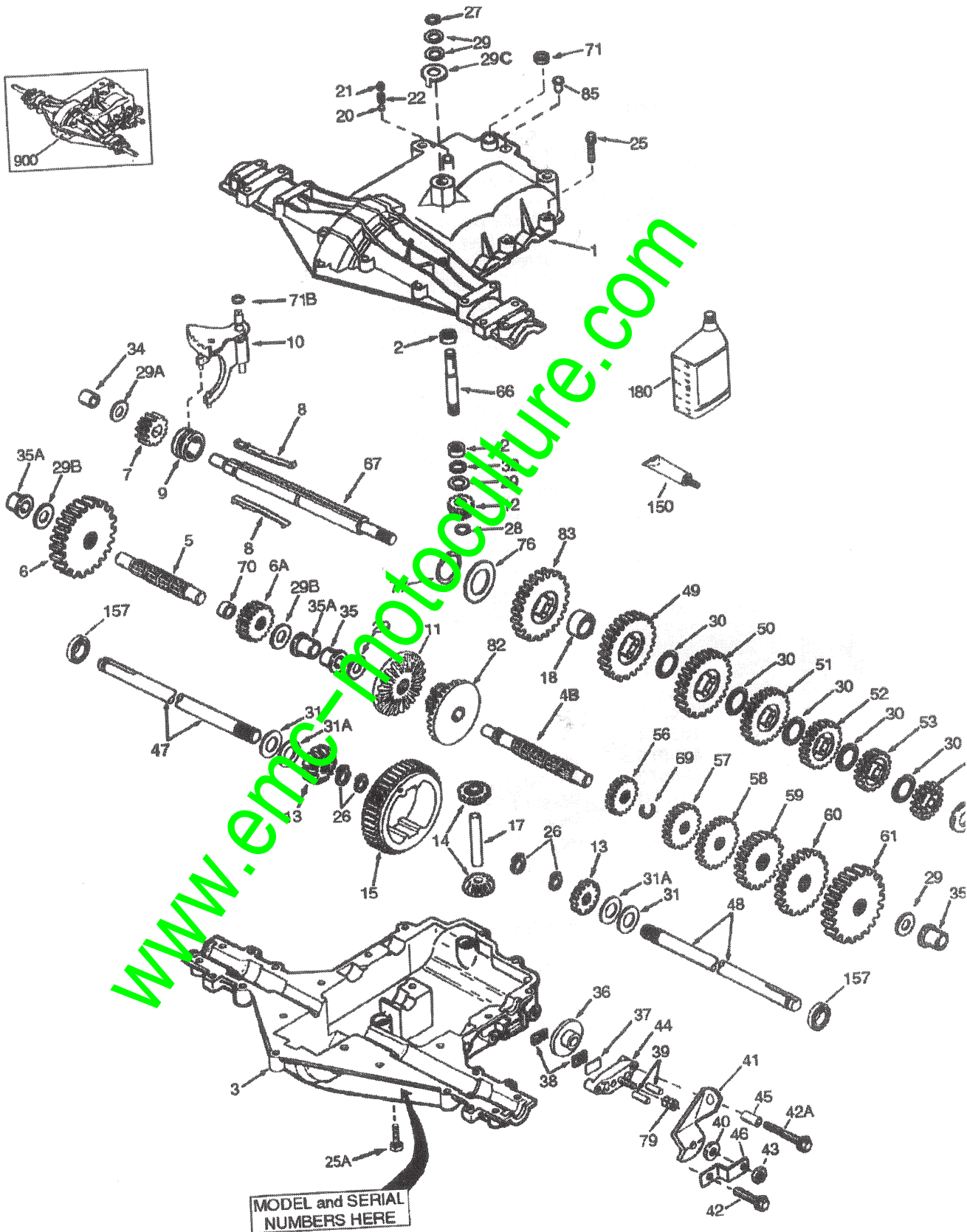
KEY NO.	PART NO.	DESCRIPTION
1	165249	Tube Handle Bagger CRD
2	72140416	Bolt Carriage 1/4-20 x 2.0 Gr.5
3	123976X	Nut Lock 1/4 Lge Flg Gr. 5 Zinc
4	169916	Handle Bagger
5	74981024	Screw Pan Head #10-24 x 1.50 Blk
6	74981032	Screw Pan Hd
7	73401000	Nut Wiz Lock Hex Ser/Hd 10-24
8	169963X558	Cover Bagger Steel CRD
9	72140418	Bolt Carriage 1/4-20 x 2.25d x Gr.5
10	181282	Tube Support Bagger CRD
11	165719	Bracket Support Upper Bag CRD
12	188848	Bracket Pivot Bagger Lh CRD
13	STD533707	Bolt Rd Hd Sht Sqnk 3/8-16 x 3/4
14	74520636	Bolt Hex 3/8-16 x 2-1/4 Gr.5
15	4939M	Retainer Spring
16	73900600	Nut Lock Flg 3/8-16 Unc
17	STD533107	Bolt Rd Hd Sht Sqnk 5/16 -18 Unc x 3/4
19	73900500	Nut Lock Hex Flange 5/16-18
20	188847	Bracket Bagger RH CRD
21	180880	Bag Asm CRD
22	165781	Bracket Side Bagger CRD
23	165782	Tube Upper Bagger CRD
24	165783	Tube Pivot Bagger CRD
25	180134	Tube Front Bagger CRD
26	165785	Tube Lower Bagger CRD
28	165787	Grip Handle Black
31	STD624003	Retainer Spring 1" Zinc/Cad
32	126875X	Rivet Rd Hd Drilled 3/8 Dia
33	165571	Plug Mulcher
34	165570	Handle Mulcher
35	165572	Pin Mulcher
36	19132016	Washer 13/32 x 1-1/4 x 16 Ga.
37	175401	Plug Support Bagger CRD
38	72010520	Bolt 5/16-18 x 5.20
39	180985	Seal 37"
41	169683	Bracket Vert Adj Bagger CRD
42	STD541431	Nut Lock Hex W/Ins 5/16-18 Unc Pl
43	174083	Plug Tubing End

NOTE: All component dimensions given in U.S. inches
1 inch = 25.4 mm

REPAIR PARTS

TRACTOR- -MODEL NO. 917.277102

PEERLESS PMST TRANSAXLE - MODEL NUMBER 206-546



REPAIR PARTS

TRACTOR- -MODEL NO. 917.277102

PEERLESS PMST TRANSAXLE - MODEL NUMBER 206-546

KEY NO.	PART NO.	DESCRIPTION	KEY NO.	PART NO.	DESCRIPTION
1	772147	Transaxle Cover	42	792073A	Screw 1/4-20 x 1-1/4"
2	780086A	Needle Bearing 5/8"	42A	792085A	Screw 1/4-20 x 2-1/4"
3	770128	Transaxle Case	43	792075	Locknut 5/16-24
4B	776406	Countershaft	44	790025	Brake Pad Holder
5	776409	Output Shaft	45	786066	Spacer .2625 x 1.0
6	778364	Spur Gear (38 teeth)	46	786086	Brake Lever Bracket
6A	778369	Spur Gear (15 teeth-steel)	47	774690	Axle (11-15/16" long)
7	778330	Spur Gear (11 teeth)	48	774691	Axle (16-1/2" long)
8	792180	Shift Key	49	778336	Spur Gear (30 teeth)
9	784352	Shift Collar	50	778338	Spur Gear (27 teeth)
10	784378	Shift Rod & Fork	51	778340	Spur Gear (24 teeth)
11	778334	Bevel Gear (30 teeth)	52	778342	Spur Gear (22 teeth)
12	778309	Input Bevel Pinion (13 teeth)	53	778352	Spur Gear (19 teeth)
13	778368	Bevel Gear (13 teeth) (Incl. 14)	54	778355	Spur Gear (16 teeth)
14	778368	Bevel Pinion (13 teeth) (Incl.13)	56	778337	Spur Gear (10 teeth-steel)
15	778370	Ring Gear (43 teeth)	57	778337	Spur Gear (13 teeth)
17	786188	Drive Pin	58	778339	Spur Gear (16 teeth)
18	786102	Spacer 1.130 X .695	59	778341	Spur Gear (18 teeth)
20	792077A	Ball 5/16" dia	60	778351	Spur Gear (21 teeth)
21	792078	Set Screw 3/8-16 x 3/8"	61	778349	Spur Gear (24 teeth)
22	792079	Spring .310 ODx .625 L	65	780189	Flat Washer .563 ID x .062W
25	792073A	Screw 1/4-20 x1-1/4" 17	66	776422	Input Shaft
25A	792177	Screw 1/4-20 x1-3/8" 2	67	776396	Shifter & Brake Shaft
26	792125	Retaining Ring (pkg of 2)	68	792170	Retaining Ring
27	792035	Retaining Ring	70	786187	Spacer .890
28	788040	Retaining Ring	71	788069	Square Cut Ring
29	780072	Thrust Washer .627ID x .031W	71B	788092	"O" Ring
29A	780160	Thrust Washer .563 ID x .031W	76	780090	Flat Washer 1.128 ID x .058W
29B	780051	Thrust Washer .762 ID x .031W	77	788078A	Inverted Retaining Ring
29C	780199	Anti-Rotation Washer .632	79	792144	Spring .430 OD x .5000 L
30	780108	Cup Washer 1.127ID x .032W	82	778363	Bevel & Spur Gear (30 & 13 teeth)
31	780001	Flat Washer .750ID x .056W (Use As Needed)	83	778338	Spur Gear (27 teeth)
31A	780195	Flat Washer .750ID x .052W	85	792154	Oil Fill Plug
32	788083	Oil Seal 5/8"	87	788089A	Oil Seal 9/16"
34	780194	Bushing .563	150	788093A	Liquid Gasket RTV Silicone
35	780193	Flanged Bushing 5/8" ID 2	157	788088A	Oil Seal 3/4"
35A	780197	Flanged Bushing .751 2	180	730229A	Gear Oil 80W90
36	790075	Brake Disk	900	794715	Replacement 206-546 Transaxle
37	790007	Brake Pad Plate			
38	799021	Brake Pad (pkg of 2)			
39	786026	Dowel Pin 5/16 x 3/4			
40	792076A	Flat Washer .512 ID x.059W			
41	790094	Brake Lever			

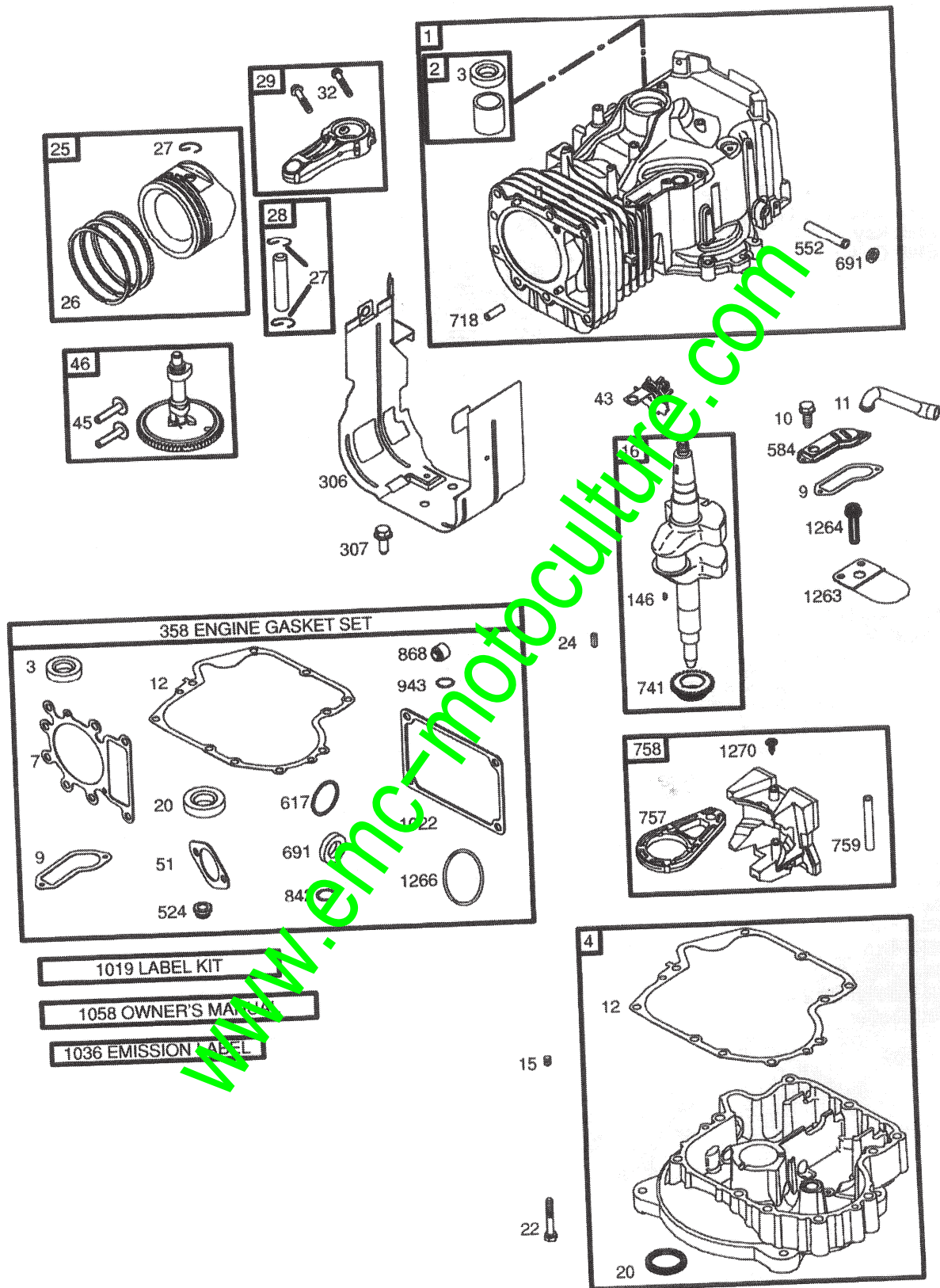
Parts must be ordered from Tecumseh Products Co.

NOTE: All component dimensions given in U.S. inches
1 inch = 25.4 mm

REPAIR PARTS

TRACTOR- -MODEL NO. 917.277102

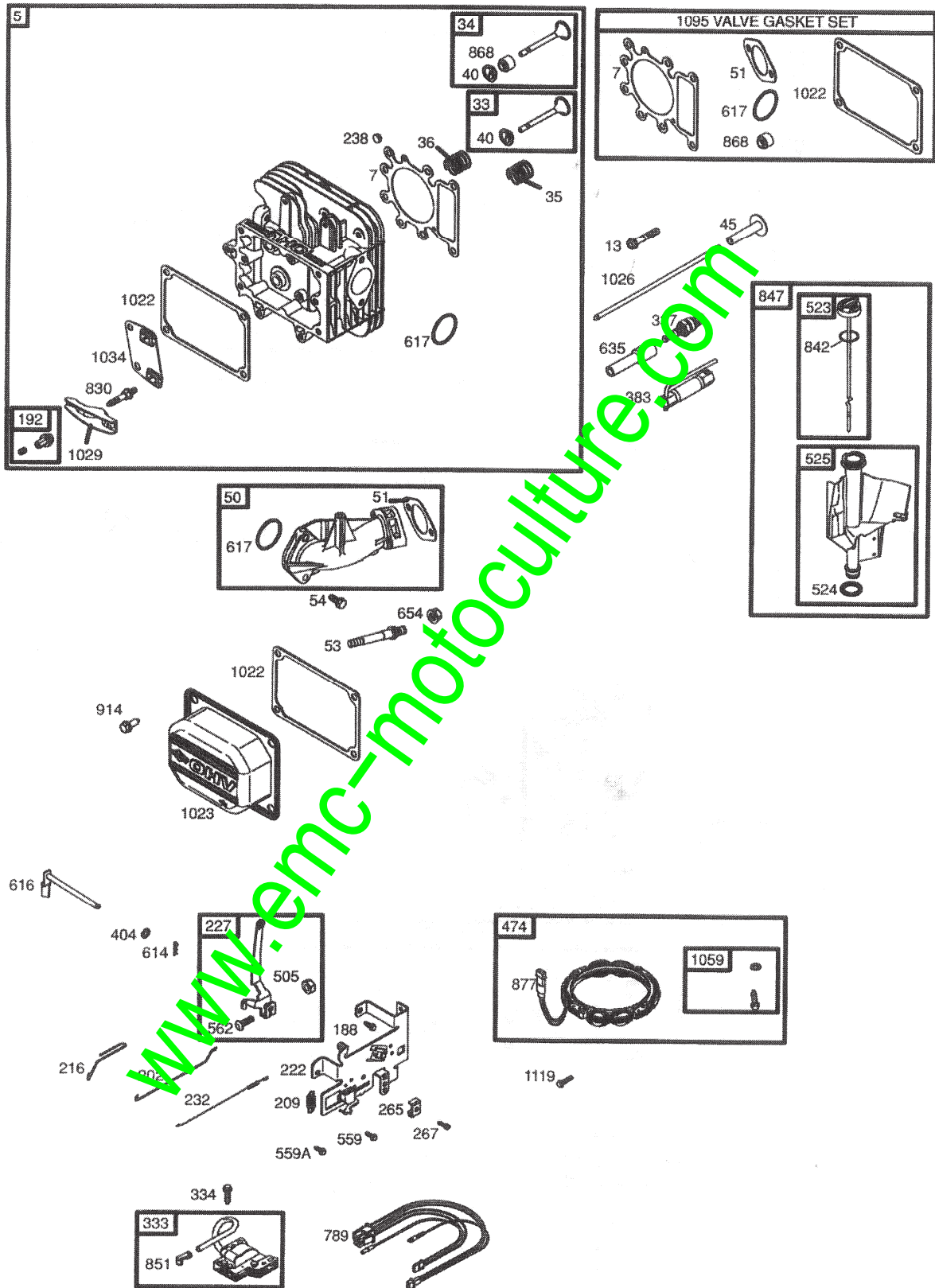
BRIGGS & STRATTON ENGINE - - MODEL NUMBER 282H07, TYPE NUMBER 0239-E1



REPAIR PARTS

TRACTOR- -MODEL NO. 917.277102

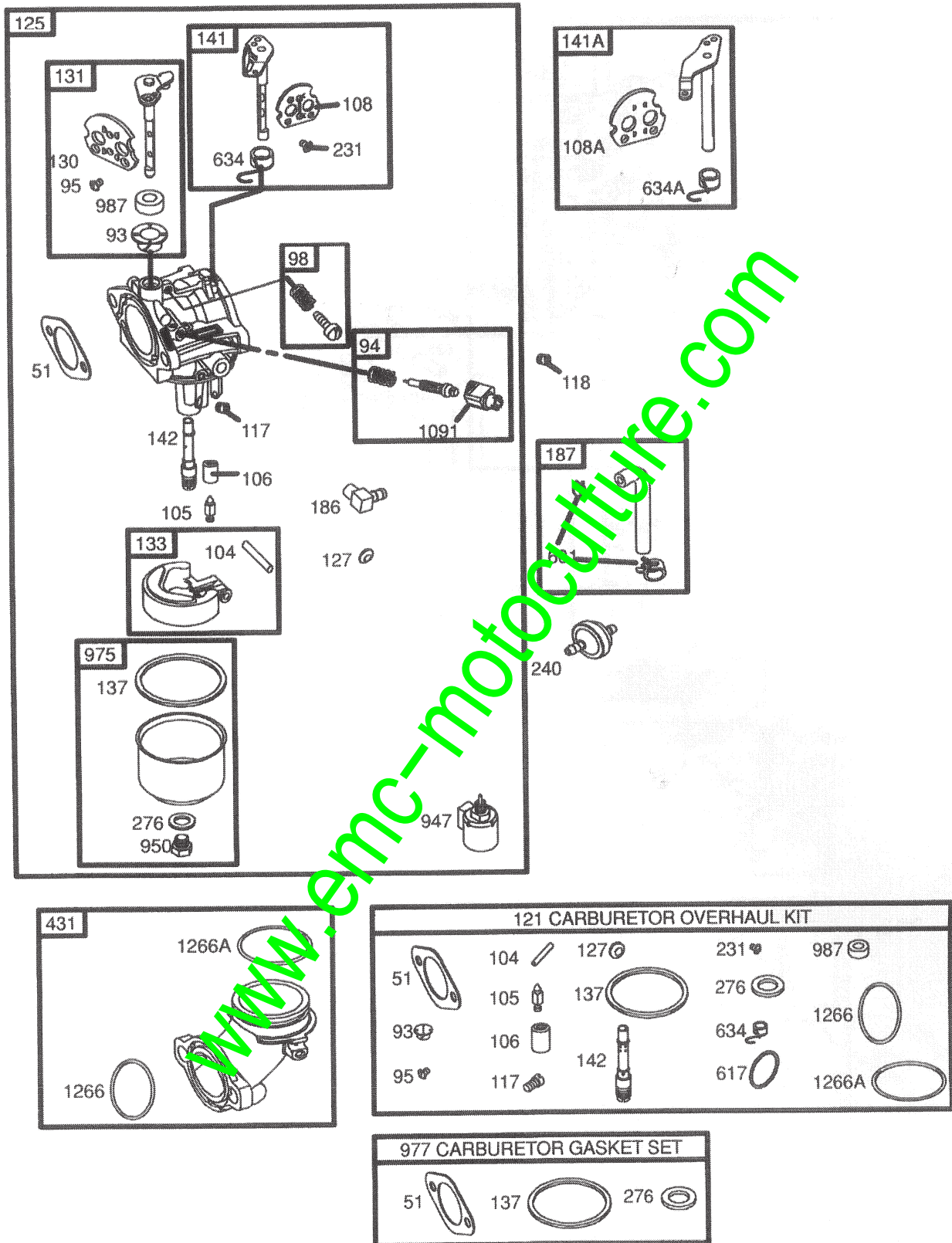
BRIGGS & STRATTON ENGINE - - MODEL NUMBER 282H07, TYPE NUMBER 0239-E1



REPAIR PARTS

TRACTOR- -MODEL NO. 917.277102

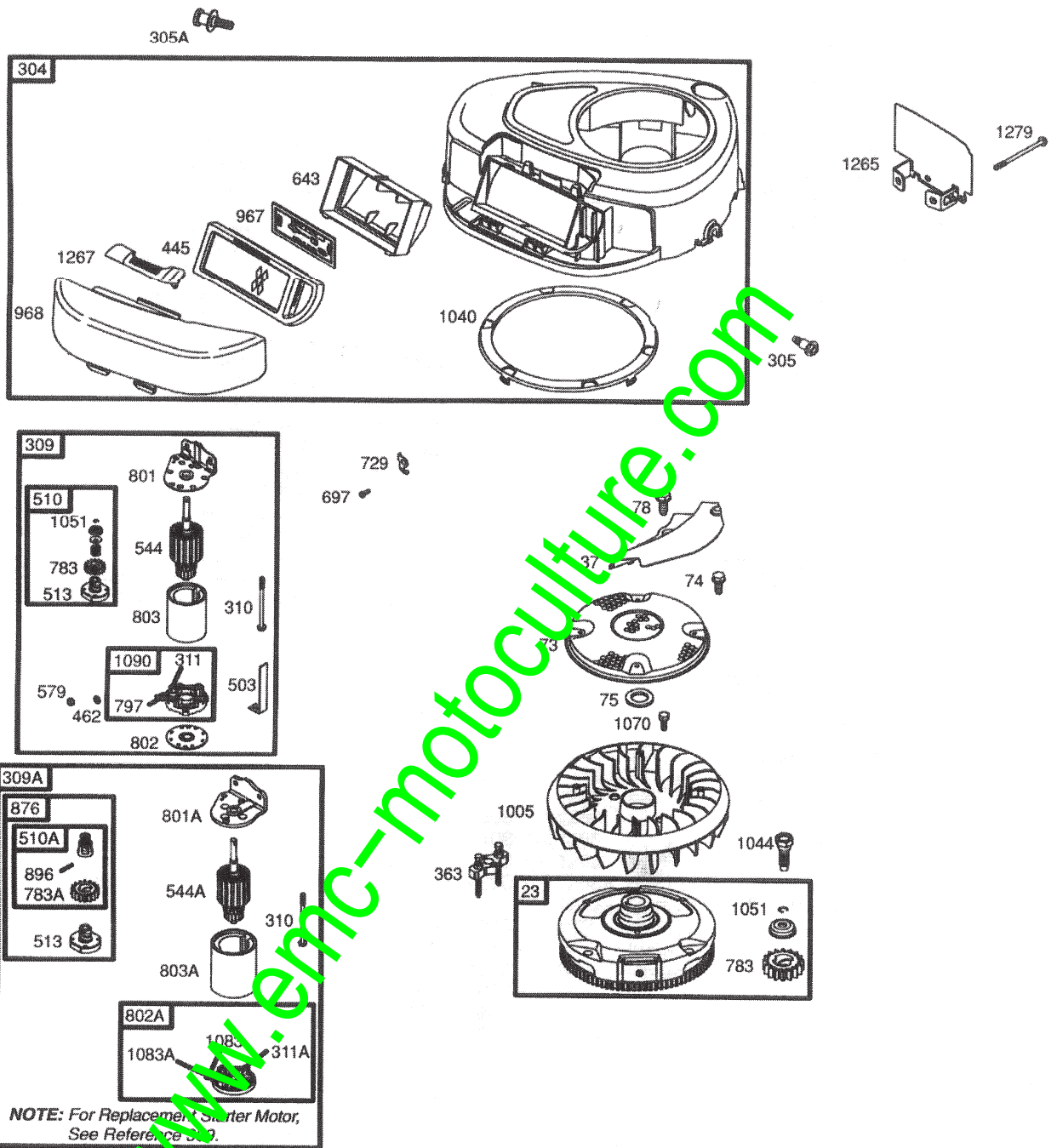
BRIGGS & STRATTON ENGINE - - MODEL NUMBER 282H07, TYPE NUMBER 0239-E1



REPAIR PARTS

TRACTOR- -MODEL NO. 917.277102

BRIGGS & STRATTON ENGINE - - MODEL NUMBER 282H07, TYPE NUMBER 0239-E1



www.eric-motoculture.com

REPAIR PARTS

TRACTOR- -MODEL NO. 917.277102

BRIGGS & STRATTON ENGINE - - MODEL NUMBER 282H07, TYPE NUMBER 0239-E1

KEY NO.	PART NO.	DESCRIPTION	KEY NO.	PART NO.	DESCRIPTION
1	697132	Cylinder Assembly	108	690464	Valve-Choke (Manual Choke)
2	399265	Kit-Bushing/Seal (Magneto Side)	108A	692344	Valve-Choke (Choke A Matic)
3	391086	• Seal-Oil (Magneto Side)	117	694352	Ø Jet-Main (Standard)
4	697106	Sump-Engine	118	697228	Jet-Main (High Altitude)
5	698148	Head-Cylinder	121	697241	Kit-Carburetor Overhaul
7	273280	•+ Gasket-Cylinder Head	125	697190	Carburetor
9	697109	• Gasket-Breather	127	695005	Plug-Welch
10	697157	Screw (Breather Assembly)	130	691750	Valve-Throttle
11	697113	Tube-Breather	131	494379	Kit-Throttle Shaft
12	697110	• Gasket-Crankcase	133	494381	Float-Carburetor
13	690360	Screw (Cylinder Head)	137	281165	Ø‡ Gasket-Float Bowl
15	690946	Plug-Oil Drain	141	495097	Kit-Choke Shaft (Manual Choke)
16	697127	Crankshaft	141A	495931	Kit-Choke Shaft (Choke A Matic)
20	690947	• Seal-Oil (PTO Side)	142	697140	Ø Nozzle-Carburetor
22	692125	Screw (Crankcase Cover/Sump)	146	691639	Key-Timing
23	693557	Flywheel	186	698114	Connector-Hose
24	222698	Key-Flywheel	187	697093	Line-Fuel
25	697114	Piston Assembly (Standard)	188	691693	Screw (Control Bracket)
	697116	Piston Assembly (.010" Oversize)	192	691916	Adjuster-Rocker Arm
	697117	Piston Assembly (.020" Oversize)	202	691841	Link-Mechanical Governor
	697118	Piston Assembly (.030" Oversize)	209	692208	Spring-Governor
26	697115	Ring Set (Standard)	215	691840	Link-Choke
	697119	Ring Set (.010" Oversize)	222	694042	Bracket-Control
	697120	Ring Set (.020" Oversize)	227	691374	Lever-Governor Control
	697121	Ring Set (.030" Oversize)	231	691636	Screw (Choke Valve)
27	698469	Lock-Piston Pin	232	691842	Spring-Governor
28	697099	Pin-Piston	238	691843	Cap-Valve
29	697126	Rod-Connecting (Standard)	240	394358	Filter-Fuel
32	692852	Screw (Connecting Rod)	265	691024	Clamp-Casing
33	495856	Valve-Exhaust	267	695134	Screw (Casing Clamp)
34	495857	Valve-Intake	276	692255	Ø‡ Washer-Sealing
35	691279	Spring-Valve (Intake)	304	698402	Housing-Blower
36	691279	Spring-Valve (Exhaust)	305	697102	Screw (Blower Housing)
37	697352	Guard-Flywheel	305A	697103	Screw (Blower Housing)
40	691752	Retainer-Valve	306	697107	Shield-Cylinder
43	691968	Slinger-Governor/Oil	307	691003	Screw (Cylinder Shield)
45	690564	Tappet-Valve	309	693551	Motor-Starter
46	697687	Camshaft	309A	-----	Motor-Starter (For Replacement Start
48	697761	Short Block (31C707-3250-E2 Replace- ment Engine-art not available)	310	690323	Motor, See Reference 309)
50	690193	Manifold-Intake	311	497608	Bolt (Starter Motor)
51	692137	•Ø‡+ Gasket-Intake	311A	395538	Brush Set
53	690227	Stud (Carburetor)	333	492341	Brush Set
54	691148	Screw (Intake Manifold)	334	691061	Armature-Magneto
73	697384	Screen-Rotating	337	691043	Screw (Magneto Armature)
74	697987	Screw (Rotating Screen)	358	697151	Plug-Spark
75	690582	Washer (Flywheel)	363	19203	Gasket Set-Engine
78	691003	Screw (Flywheel Guard)	383	89838	Flywheel Puller
93	690602	Ø Bushing-Throttle Shaft			Wrench-Spark Plug
94	498030	• Jet-Mixture			Low Speed: 1900-2100
95	691636	Screw (Throttle Valve)			High Speed: 3000-3200
98	495800	Kit-Idle Speed			
104	690525	Ø Pin-Float Hinge			
105	231855	Ø Valve-Float Needle			
106	690577	Ø Seat-Inlet			

- Included in Engine Gasket Set, Key. No. 358
- Ø Included in Carburetor Overhaul Kit, Key. No. 121
- ‡ Included in Carburetor Gasket Set, Key. No. 977
- + Included in Valve Gasket Set, Key. No. 1095

REPAIR PARTS

TRACTOR- -MODEL NO. 917.277102

BRIGGS & STRATTON ENGINE - - MODEL NUMBER 282H07, TYPE NUMBER 0239-E1

KEY NO.	PART NO.	DESCRIPTION	KEY NO.	PART NO.	DESCRIPTION
404	691691	Washer (Governor Crank)	868	690968	*+ Seal-Valve
431	697122	Elbow-Intake	876	495877	Kit-Pinion Spring
445	698083	Filter-Air Cleaner Cartridge	877	393456	Wire-Connector/Alternator
462	691261	Washer (Starter Cable)	896	691641	Pin-Drive Retainer
474	696459	Alternator	914	690960	Screw (Rocker Cover)
503	691532	Strap-Starter	947	694393	Solenoid-Fuel
505	691251	Nut (Governor Control Lever)	950	691657	Screw (Float Bowl)
510	693699	Drive-Starter	967	697015	Filter-Pre Cleaner
510A	497606	Drive-Starter	968	698403	Cover-Air Cleaner
513	692024	Clutch-Drive	975	495933	Bowl-Float
523	697086	Dipstick	977	690192	Gasket Set-Carburetor
524	691032	* Seal-Dipstick Tube	987	691326	† Seal-Throttle Shaft
525	697184	Tube-Dipstick	1005	697853	Fan-Flywheel
544	692034	Starter-Armature	1019	697142	Kit-Label
544A	390837	Starter-Armature	1022	272471	*+ Gasket-Rocker Cover
552	697144	Bushing-Governor Crank	1023	692192	Cover-Rocker Arm
559	697561	Screw (Remote Choke)	1026	692033	Rod-Push (Intake)
559A	693675	Screw (Remote Choke)	-- --	692011	Rod-Push (Exhaust)
562	691119	Bolt (Governor Control Lever)	1029	691751	Arm-Rocker
579	691029	Nut (Starter Cable)	1034	690322	Guide-Push Rod
584	697112	Cover-Breather Passage	1035	695700	Label-Emission
601	95162	Clamp-Hose	1040	698368	Plate-Trim
614	691620	Pin-Cotter	1041	691658	Screw (Flywheel)
616	692012	Crank-Governor	1051	691265	Ring-Retaining
617	692138	Ø * Seal-O Ring (Intake Manifold)	1058	275038	Owner's Manual
634	690801	Ø Spring/Seal Assembly (Manual Choke)	1059	698516	Kit-Screw/Washer
634A	690802	Ø Spring/Seal Assembly (Choke A Matic)	1070	690372	Screw (Flywheel Fan)
635	691909	Boot-Spark Plug	1083	691626	Nut (Starter Terminal)
643	698401	Retainer-Air Filter	1083A	690958	Nut (Starter Terminal)
654	690958	Nut (Carburetor)	1090	691293	Retainer-Brush
691	692407	* Seal-Governor Shaft	1091	691333	Cap-Limiter
697	690372	Screw (Drive Cap)	1095	691581	Gasket Set-Valve
718	690959	Pin-Locating	1119	691183	Screw (Alternator)
729	691224	Clip-Wire	1263	697124	Reed-Breather
741	697128	Gear-Timing	1264	697104	Screw (Breather Reed)
757	697607	Link-Counterweight	1265	697125	Support-Blower Housing
758	697134	Counterweight	1266	691917	*Ø Seal-O Ring (Intake Elbow)
759	697392	Pin-Counterweight	1266A	697123	Ø Seal-O Ring(Intake Elbow)
783	693713	Gear-Pinion	1267	697575	Latch-Blower Housing
783A	693059	Gear-Pinion	1270	697156	Plug-AVS Counterweight
789	698329	Harness-Wiring	1279	690960	Screw (Blower Housing Support)
797	693167	Nut (Brush Retainer)			RPM Settings:
801	691283	Cap-Drive			Low Speed: 1900-2100
801A	394856	Cap-Drive			High Speed: 3000-3200
802	691286	Cap-End			
802A	395537	Cap-End	*		Included in Engine Gasket Set, Key. No. 358
803	693757	Housing-Starter	Ø		Included in Carburetor Overhaul Kit, Key. No. 121
803A	398159	Housing-Starter	‡		Included in Carburetor Gasket Set, Key. No. 977
830	691095	Stud (Rocker Arm)	+		Included in Valve Gasket Set, Key. No. 1095
842	691031	* Seal-O Ring (Dipstick Tube)			
847	697611	Dipstick/Tube Assembly			
851	692424	Terminal-Spark Plug			

www.emc-motoculture.com