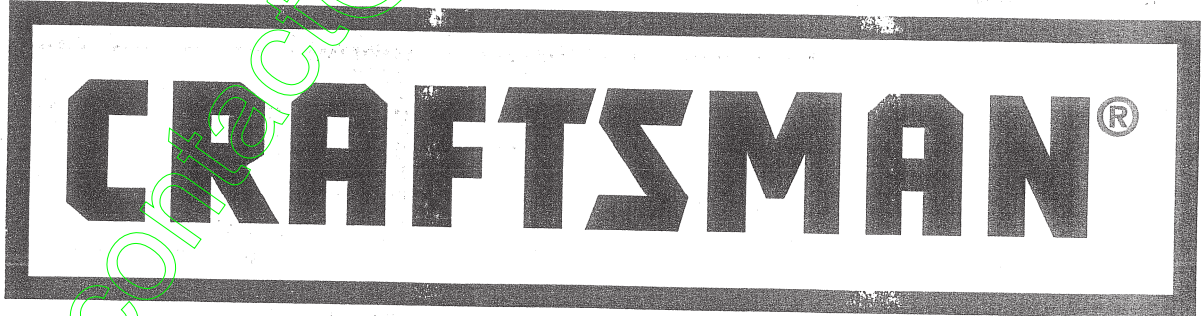


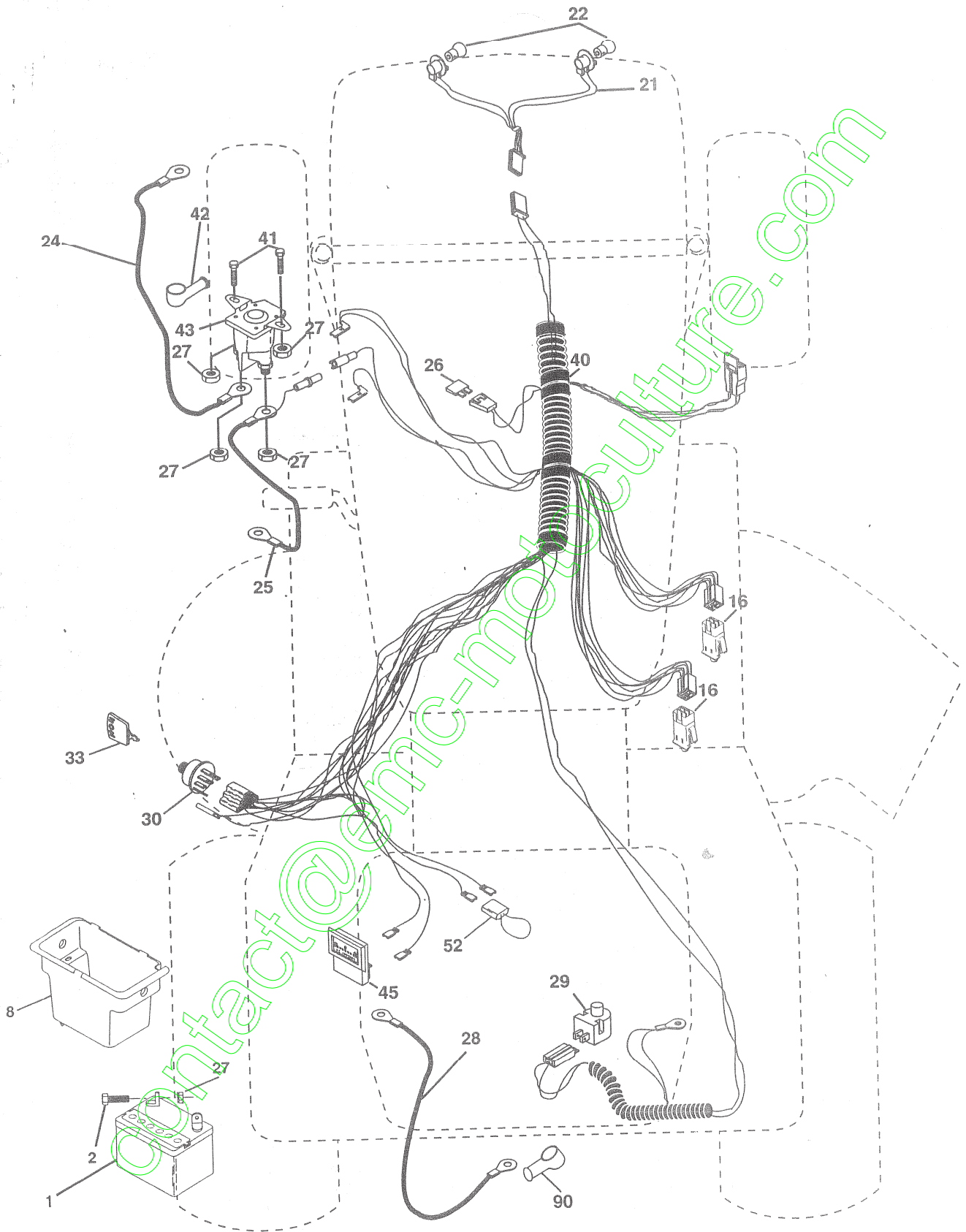
REPAIR PARTS MANUAL
MODEL NO. 277411
Lawn Tractor



REPAIR PARTS

TRACTOR- -MODEL NO. 917. 277411

ELECTRICAL



REPAIR PARTS

TRACTOR- -MODEL NO. 917. 277411

ELECTRICAL

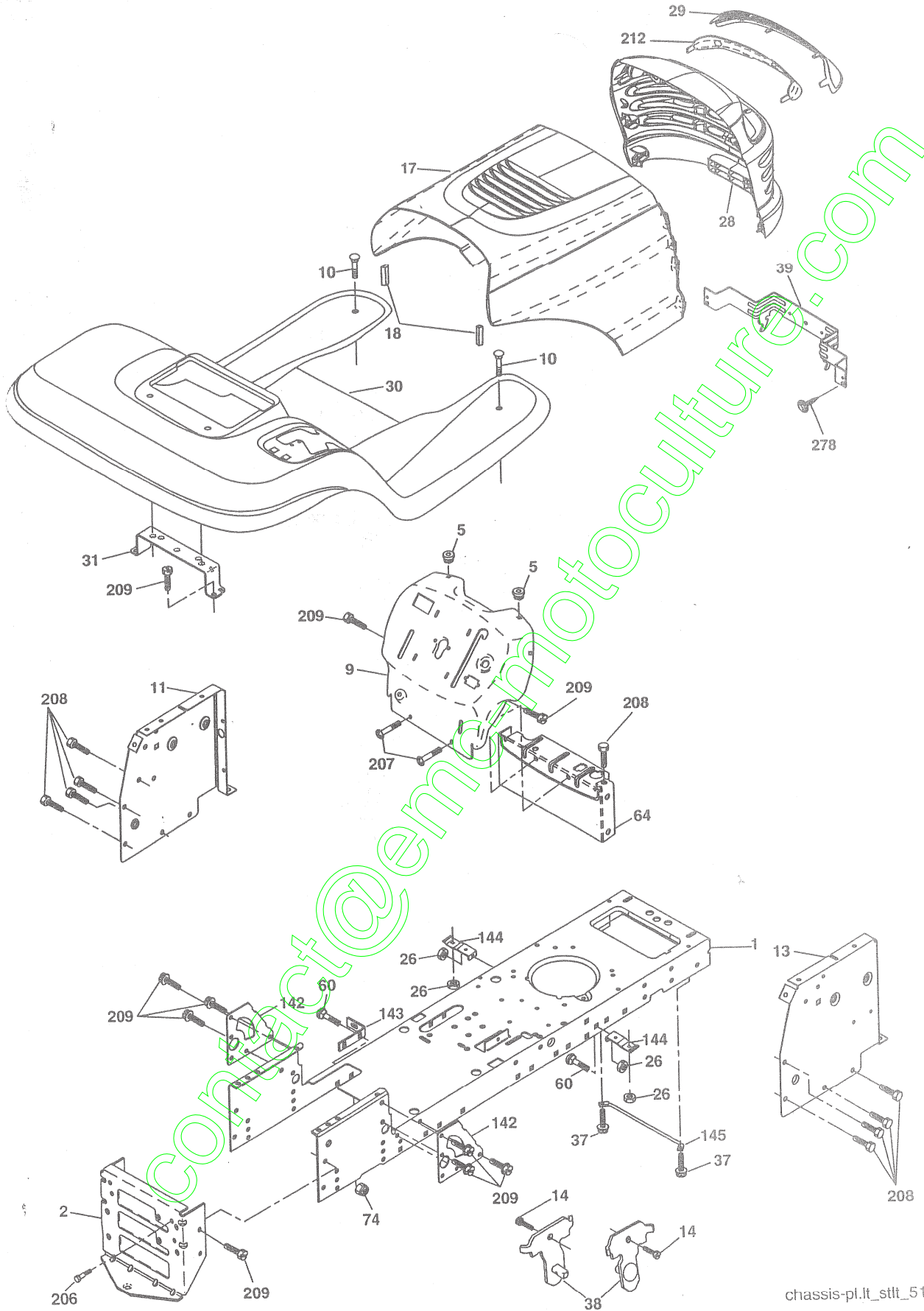
| KEY NO. | PART NO. | DESCRIPTION |
|---------|----------|------------------------------------|
| 1 | 163465 | Battery |
| 2 | 74760412 | Bolt Hex Hd 1/4-20 unc x 3/4 |
| 8 | 176689 | Box Battery |
| 16 | 176138 | Switch, Interlock |
| 21 | 183759 | Harness Asm Light W/4152J |
| 22 | 4152J | Bulb Light #1156 |
| 24 | 4799J | Cable Battery 6 Ga. 11" red |
| 25 | 146147 | Cable Battery 6 Ga. w/16 wire red |
| 26 | 175158 | Fuse |
| 27 | 73510400 | Nut Keps Hex 1/4-20 unc |
| 28 | 4207J | Cable Ground 6 Ga. 12" black |
| 29 | 121305X | Switch Plunger Normal NC Gray |
| 30 | 175566 | Switch Ign |
| 33 | 140403 | Key Ign |
| 40 | 179720 | Harness Ign |
| 41 | 71110408 | Bolt Blk. Fin Hex 1/4-20 unc x 1/2 |
| 42 | 131563 | Cover Terminal Red |
| 43 | 178861 | Solenoid |
| 45 | 121433X | Ammeter Rectangular |
| 52 | 141940 | Protection Wire Loop |
| 90 | 180449 | Cover Terminal |

NOTE: All component dimensions give in U.S. inches
1 inch = 25.4 mm

REPAIR PARTS

TRACTOR- -MODEL NO. 917. 277411

CHASSIS AND ENCLOSURES



chassis-pl.it_stlt_51

REPAIR PARTS

TRACTOR- -MODEL NO. 917. 277411

CHASSIS AND ENCLOSURES

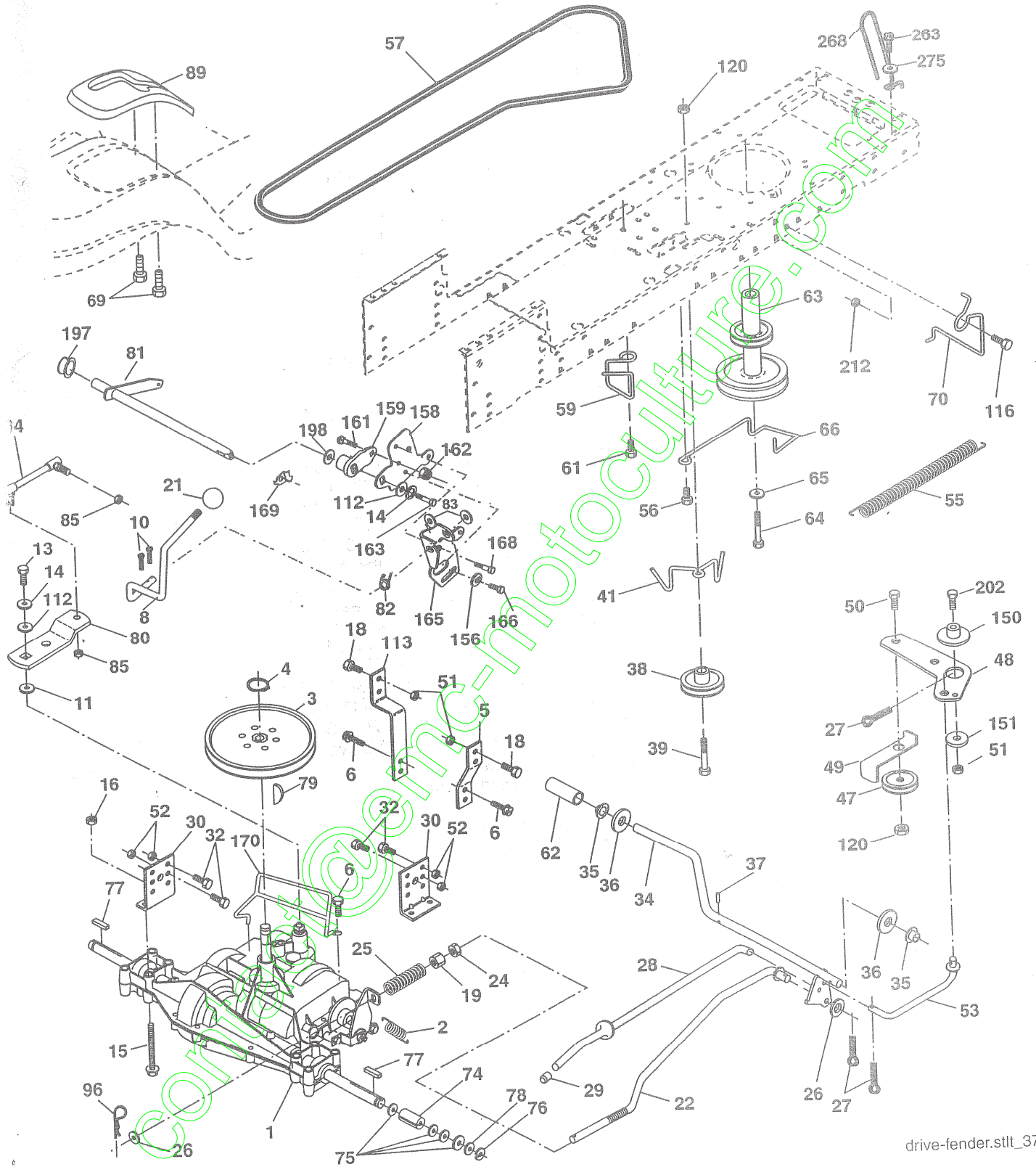
| KEY NO. | PART NO. | DESCRIPTION |
|---------|-------------------|--|
| 1 | 174619 | Chassis |
| 2 | 176554 | Drawbar |
| 5 | 155272 | Bumper Hood/Dash |
| 9 | 187846X014 | Dash |
| 10 | STD533710 | Bolt, Carriage 3/8-16 x 3/4 |
| 11 | 174996 | Panel, Dash, L.H. |
| 13 | 172105X010 | Panel, Dash, R.H. |
| 14 | 17490608 | Screw Thdrol 3/8-16 x 1/2 |
| 17 | 185682X558 | Hood Assembly |
| 18 | 184921 | Bumper Hood |
| 26 | STD541437 | Nut |
| 28 | 190380 | Grille/Lens Asm(Includes #'s 29 and 212) |
| 29 | 174332X599 | Lens Laser |
| 30 | 188571X558 | Fend/Ftrest |
| 31 | 139976 | Bracket, Fender Support |
| 37 | 17490508 | Screw Thdrol 5/16-18 x 1/2 |
| 38 | 175710 | Pivot Bracket Assembly, Rear |
| 39 | 174714 | Bracket Pivot Laser Lt |
| 60 | 72140606 | Bolt Rdhd Sqnk 3/8-16 unc x 1 |
| 64 | 154798 | Dash Lower STLT |
| 74 | STD541437 | Nut Crownlock 3/8-16 unc |
| 142 | 175702 | Plate Reinforcement STLT |
| 143 | 186689 | Bracket Swaybar Chassis |
| 144 | 175582 | Bracket Pnt Footrest STLT |
| 145 | 156524 | Rod Pivot Chassis/Hood |
| 166 | 171875 | Screw Hwhd Hi-Lo #13-16 x 3/4 |
| 206 | 170165 | Bolt Shoulder 5/16-18 TT |
| 207 | 17670508 | Screw Thdrol 5/16-18 x 1/2 Tytt |
| 208 | 17670608 | Screw Thdrol 3/8-16 x 1/2 |
| 209 | 17000612 | Screw Hexwsh Thdr 3/8-16 x 3/4 |
| 212 | 175143 | Insert Lens Reflective |
| 278 | 191611 | Screw |
| -- | 5479J | Plug, Button |

NOTE: All component dimensions given in U.S. inches
1 inch = 25.4 mm

REPAIR PARTS

TRACTOR- -MODEL NO. 917. 277411

RIVE



drive-fender.stlt_37

REPAIR PARTS

TRACTOR- -MODEL NO. 917. 277411

DRIVE

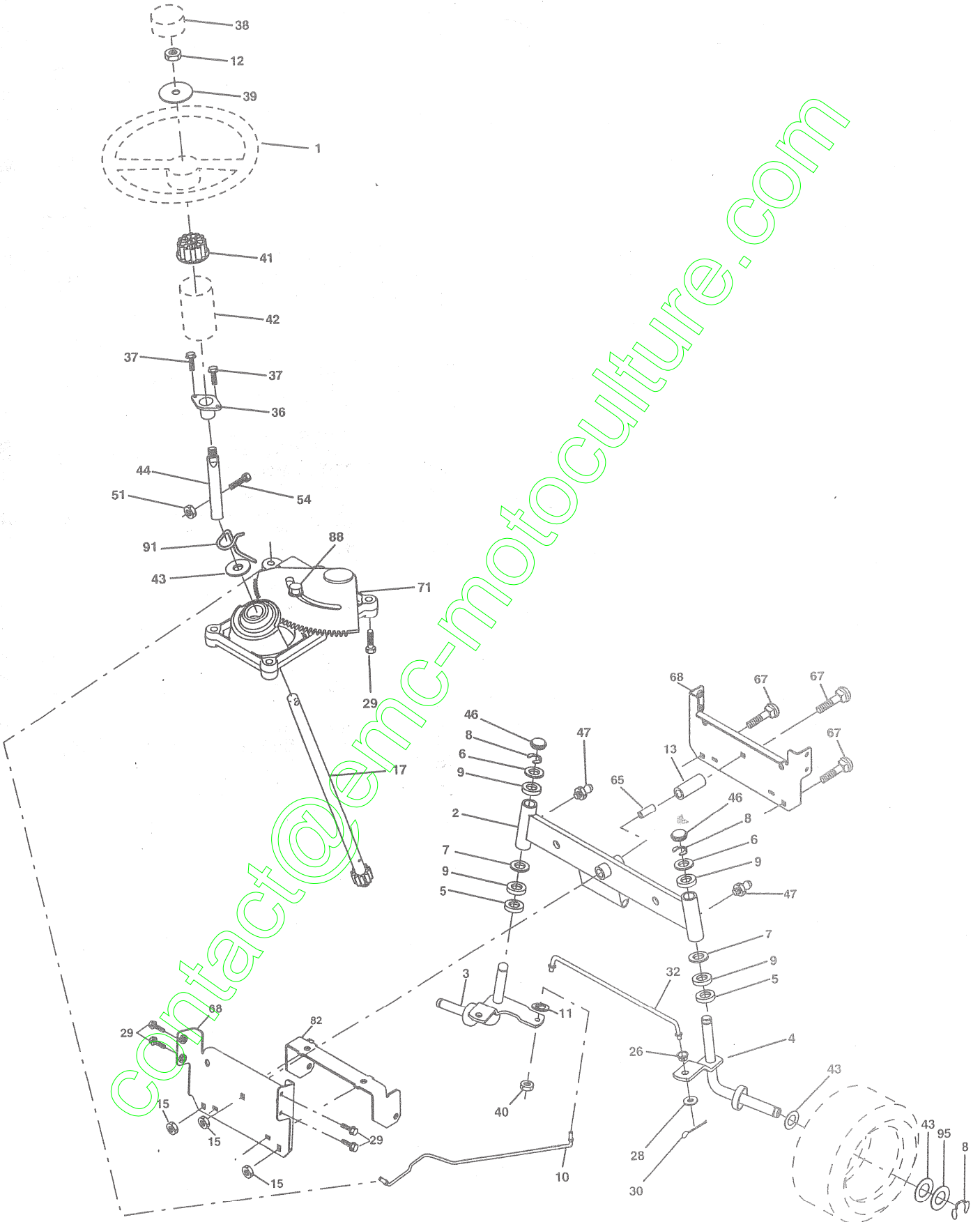
| KEY NO. | PART NO. | DESCRIPTION | KEY NO. | PART NO. | DESCRIPTION |
|---------|-----------|---|---------|------------|------------------------------------|
| 1 | ----- | Transaxle (See Breakdown) Dana D4360-140 | 64 | 173937 | Bolt Hex 7/16-20 x 4 x Gr. 5 |
| 2 | 146682 | Spring Brake Return | 65 | STD551143 | Washer |
| 3 | 123666X | Pulley Transaxle | 66 | 154778 | Keeper Belt Engine Hydro |
| 4 | 12000028 | Ring Retainer | 69 | 142432 | Screw Hex Wash Hi-Lo 1/4 x 1/2 unc |
| 5 | 121520X | Strap Torque 30 Degrees | 70 | 180218 | Keeper Belt Engine |
| 6 | 17000612 | Screw 5/16-18 x 3/4 | 74 | 109502X | Spacer |
| 8 | 165866 | Rod Shift Fender Adjust | 75 | 121749X | Washer 25/32 x 1-1/4 x 16 Ga. |
| 10 | STD561210 | Pin Cotter 1/8 x 1 CAD | 76 | STD581075 | E-Ring |
| 11 | 105701X | Washer Plate Shift | 77 | 123583X | Key, Square |
| 13 | 74550412 | Bolt 1/4-28unf Gr. 8 W/Patch | 78 | 121748X | Washer 25/32 x 1-5/8 x 16 Ga. |
| 14 | 10040400 | Washer Lock Hvy Helical | 79 | 2228M | Key Woodruff |
| 15 | 74490544 | Bolt Hex FLGHD 5/16-18 x Gr. 5 | 80 | 131488 | Arm Shift |
| 16 | STD541431 | Nut Lock Hex W/Ins. 5/16-18 unc | 81 | 165594 | Shaft Asm Cross Tapered |
| 18 | 74780616 | Bolt Fin Hex 3/8-16 x 1 Gr. 5 | 82 | 165711 | Spring Torsion |
| 19 | STD541437 | Nut Lock Hex W/Wsh 3/8-16 unc | 83 | 19171216 | Washer 17/32 x 3/4 x 16 Ga. |
| 21 | 106933X | Knob | 84 | 166229 | Link Transaxle |
| 22 | 130804 | Rod, Brake | 85 | 150360 | Nut Lock Center 1/4-20 |
| 24 | 73350600 | Nut, Hex Jam 3/8-16 unc | 89 | 188310X428 | Console, Shift |
| 25 | 106888X | Spring, Brake Rod | 96 | 4497H | Retainer Spring 1" Zinc/Cad |
| 26 | STD551037 | Washer 13/32 x 13/16 Ga. | 112 | 19091210 | Washer 9/32 x 3/4 x 10 Ga. |
| 27 | STD561210 | Pin Cotter 1/8 x 3/4 CAD. | 113 | 127285X | Strap Torque 90 Degrees |
| 28 | 175765 | Rod, Parking Brake | 116 | 72140608 | Bolt Rdhd Sqneck 3/8-16 x 1.25 |
| 29 | 71673 | Cap, Parking Brake | 120 | 73900600 | Nut Lock Flg 3/8-16 |
| 30 | 174973 | Bracket, Transaxle | 150 | 175456 | Spacer Retainer |
| 32 | 74760512 | Bolt Hex Hd 5/16-18 unc x 3/4 | 151 | 19133210 | Washer 13/32 x 2 x 10 Ga. |
| 34 | 175578 | Shaft, Foot Pedal | 156 | 166002 | Washer Srrted 5/16 ID x 1.125 |
| 35 | 120183X | Bearing, Nylon | 158 | 165589 | Bracket Shift Mount |
| 36 | 19211616 | Washer | 159 | 183900 | Hub Shift |
| 37 | 1572H | Pin, Roll | 161 | 72140406 | Bolt Rdhd Sqnk 1/4-20 x 3/4 Gr 5 |
| 38 | 179114 | Pulley, Composite, Flat | 162 | 73680400 | Nut Crownlock 1/4-20 unc |
| 39 | 72110622 | Bolt Rdhd 3/8-16 unc x 2-3/4 Gr. 5 | 163 | 74780416 | Bolt Hex Fin 1/4-20 unc x 1 Gr 5 |
| 41 | 175556 | Keeper, Belt Idler | 165 | 165623 | Bracket Pivot Lever |
| 47 | 127783 | Pulley, Idler, V-Groove | 166 | 17490510 | Screw 5/16-18 x 5/8 |
| 48 | 154407 | Bellcrank, Clutch | 168 | 165492 | Bolt Shoulder 5/16-18 x .561 |
| 49 | 123205X | Retainer, Belt | 169 | 165580 | Plate Fastening |
| 50 | 72110612 | Bolt Carr 3/8-16 x 1-1/2 | 170 | 187414 | Keeper Belt T/A |
| 51 | STD541437 | Nut Crownlock 3/8-16 unc | 197 | 169613 | Nyliner Snap-In 5/8"ID |
| 52 | STD541431 | Nut, Crownlock 5/16-18 unc | 198 | 169593 | Washer Nyl 7/8 ID x .105" Hyd |
| 53 | 105710X | Link, Clutch | 202 | 72110614 | Bolt Carr Sh 3/8-16 x 1-3/4 Gr. 5 |
| 55 | 105709X | Spring, Return, Clutch | 212 | 145212 | Nut Hex Flg. Lock |
| 56 | 17060620 | Screw 3/8-16 x 1-1/4 | 263 | 17000612 | Screw 3/8-16 x 3/4 |
| 57 | 160855 | V-Belt | 268 | 182402 | Guard Muffler |
| 59 | 169691 | Keeper, Center Span | 275 | 19131614 | Washer 13/32 x 1 x 14 Ga. |
| 61 | 17120614 | Screw 3/8-16 x .875 | | | |
| 62 | 8883R | Cover, Pedal | | | |
| 63 | 180219 | Pulley, Engine | | | |

NOTE: All component dimensions given in U.S. inches
1 inch = 25.4 mm

REPAIR PARTS

TRACTOR- -MODEL NO. 917. 277411

STEERING ASSEMBLY



steering_pl.lt_46

REPAIR PARTS

STEERING ASSEMBLY

TRACTOR- -MODEL NO. 917. 277411

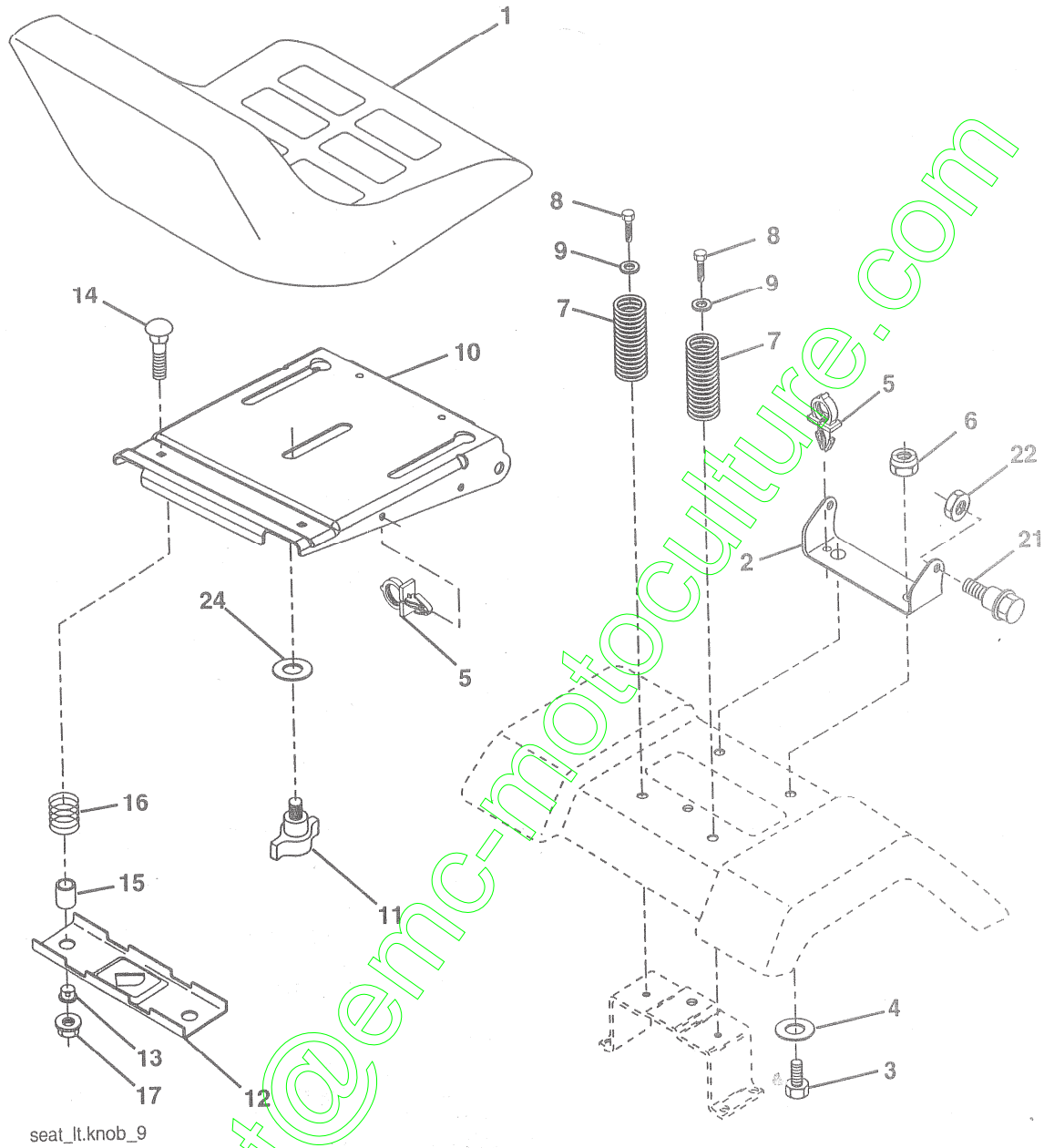
| KEY NO. | PART NO. | DESCRIPTION |
|---------|------------|-----------------------------------|
| 1 | 139768 | Steering Wheel |
| 2 | 175131 | Axle Assembly |
| 3 | 169840 | Spindle Assembly, L.H. |
| 4 | 169839 | Spindle Assembly, R.H. |
| 5 | 6266H | Bearing, Race, Thrust, Hardened |
| 6 | 121748X | Washer 25/32 x 1-5/8 x 16 Ga. |
| 7 | 19272016 | Washer 27/32 x 1-1/4 x 16 Ga. |
| 8 | 12000029 | Ring, Klip |
| 9 | 3366R | Bearing Col. Steering |
| 10 | 175121 | Draglink |
| 11 | STD551137 | Washer, Lock |
| 12 | 73940800 | Nut Hex Jam Toplock 1/2-20 unf |
| 13 | 136518 | Spacer Bearing Axle Front |
| 15 | 145212 | Nut, Hex Flange Lock |
| 17 | 180641 | Shaft Assembly, Steering |
| 26 | 126847X | Bushing, Link, Drag |
| 28 | 19131416 | Washer 13/32 x 7/8 x 16 Ga. |
| 29 | 17000612 | Screw 3/8-16 x 3/4 |
| 30 | STD561210 | Pin Cotter |
| 32 | 130465 | Rod Tie |
| 36 | 155099 | Bushing, Steering |
| 37 | 152927 | Screw |
| 38 | 139769 | Insert, Steering Wheel |
| 39 | 19183812 | Washer 9/16 x 2-3/8 12 Ga. |
| 40 | 73540600 | Nut Crownlock 3/8-24 |
| 41 | 186737 | Adaptor, Steering Wheel |
| 42 | 145054X428 | Boot, Steering Shaft |
| 43 | 121749X | Washer 25/32 x 1-1/4 x 16 Ga. |
| 44 | 180640 | Extension Shaft Steering LR.LT |
| 46 | 121232X | Cap, Spindle |
| 51 | 73540400 | Nut Crownlock 1/4-28 |
| 54 | 71130420 | Bolt Hex 1/4-28 unf x 1-1/4 Gr. 8 |
| 65 | 160367 | Spacer Brace Axle |
| 67 | 72110618 | Bolt RDHD Sqnk 3/8-16 x 2-1/4 |
| 68 | 169827 | Axle, Brace |
| 71 | 175146 | Steering Asm. |
| 82 | 169835 | Bracket Susp. Chassis Front |
| 88 | 175118 | Bolt Shoulder 7/16-20 unc |
| 91 | 175553 | Clip Steering |
| 95 | 188967 | Washer Hardened |

NOTE: All component dimensions given in U.S. inches
1 inch = 25.4 mm

REPAIR PARTS

TRACTOR- -MODEL NO. 917. 277411

SEAT ASSEMBLY



seat_lt.knob_9

| KEY NO. | PART NO. | DESCRIPTION |
|---------|-----------|--------------------------------|
| 1 | 188716 | Seat |
| 2 | 180166 | Bracket Pivot Seat |
| 3 | 71110616 | Bolt Fin Hex 3/8-16 unc x 1 |
| 4 | 19131610 | Washer 13/32 x 3/4 x 10 Ga. |
| 5 | 145006 | Clip Push In Hinged |
| 6 | STD541437 | Nut Hex Lock w/Ins 3/8-16 unc |
| 7 | 124181X | Spring Seat Cprsn 2 250 Blk Zi |
| 8 | 17000616 | Screw 3/8-16 x 1 |
| 9 | 19131614 | Washer 13/32 x 1 x 14 Ga. |
| 10 | 180186 | Pan Seat |
| 11 | 166369 | Knob Seat Adj Wingnut |
| 12 | 121246X | Bracket Pnt Mounting Switch |

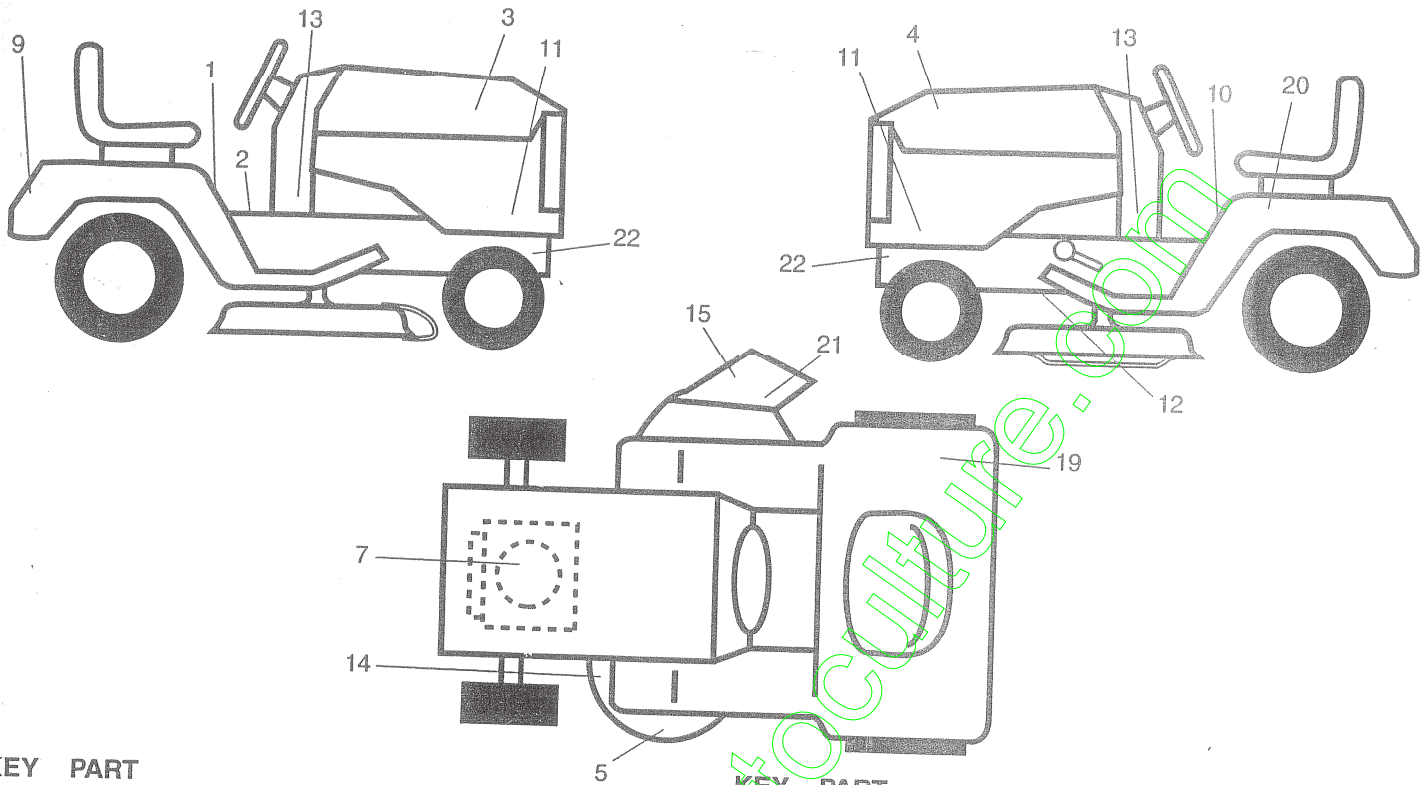
| KEY NO. | PART NO. | DESCRIPTION |
|---------|-----------|---------------------------------|
| 13 | 121248X | Bushing Snap Blk Nyl 50 Id |
| 14 | 72050412 | Bolt Rdhd Sht Nk 1/4-20 x 1-1/2 |
| 15 | 134300 | Spacer Split 28 x 96 Zinc |
| 16 | 121250X | Spring Cprsn 1 27 Blk Pnt |
| 17 | 123976X | Nut Lock 1/4 Lge Fig Gr. 5 Zinc |
| 21 | 171852 | Bolt Shoulder 5/16-18 unc-2A |
| 22 | STD541431 | Nut Hex Lock w/Ins 5/16-18 |
| 24 | 19171912 | Washer 17/32 x 1-3/16 x 12 Ga. |

NOTE: All component dimensions given in U.S. inches
1 inch = 25.4 mm

REPAIR PARTS

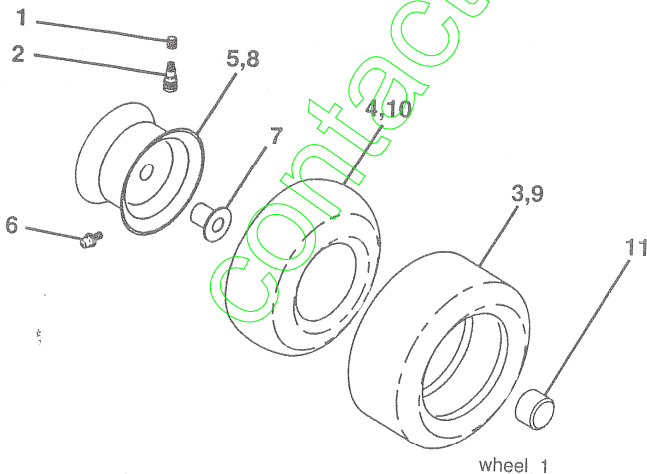
TRACTOR- -MODEL NO. 917. 277411

DECALS



| KEY NO. | PART NO. | DESCRIPTION | KEY NO. | PART NO. | DESCRIPTION |
|---------|----------|-------------------------------|---------|------------|----------------------------|
| 1 | 140837 | Decal, Brake Parking Saddle | 15 | 179128 | Decal, Deck B 42" |
| 2 | 145498 | Decal, Read Owners Manual | 19 | 180432 | Decal, DBA |
| 3 | 184728 | Decal, Hood, R.H. | 20 | 145005 | Decal, Battery Dngr |
| 4 | 184729 | Decal, Hood, L.H. | 21 | 182166 | Decal, Cutfinger |
| 5 | 172331 | Decal, Mower SRS. Heavy Duty | 22 | 159736 | Decal, Hot Muffler |
| 7 | 186377 | Decal, HP Engine | -- | 138311 | Decal, Lift Handle |
| 9 | 184899 | Decal, Fender, Craftsman | -- | 166960 | Decal, By pass |
| 10 | 159737 | Decal, Brake Clutch | -- | 162598 | Decal, Draw Bar Load Limit |
| 11 | 184730 | Decal, Panel Side | -- | 184310X428 | Pad, Footrest LH STLT |
| 12 | 146046 | Decal, V-Belt Drive Schematic | -- | 184311X428 | Pad, Footrest RH STLT |
| 13 | 186787 | Decal, Dash Panel | -- | 192513 | Manual, Operator's (Euro) |
| 14 | 160396 | Decal, V-Belt Schematic | -- | 192514 | Manual, Operator's (Scand) |
| | | | -- | 192515 | Manual Parts |

WHEELS & TIRES



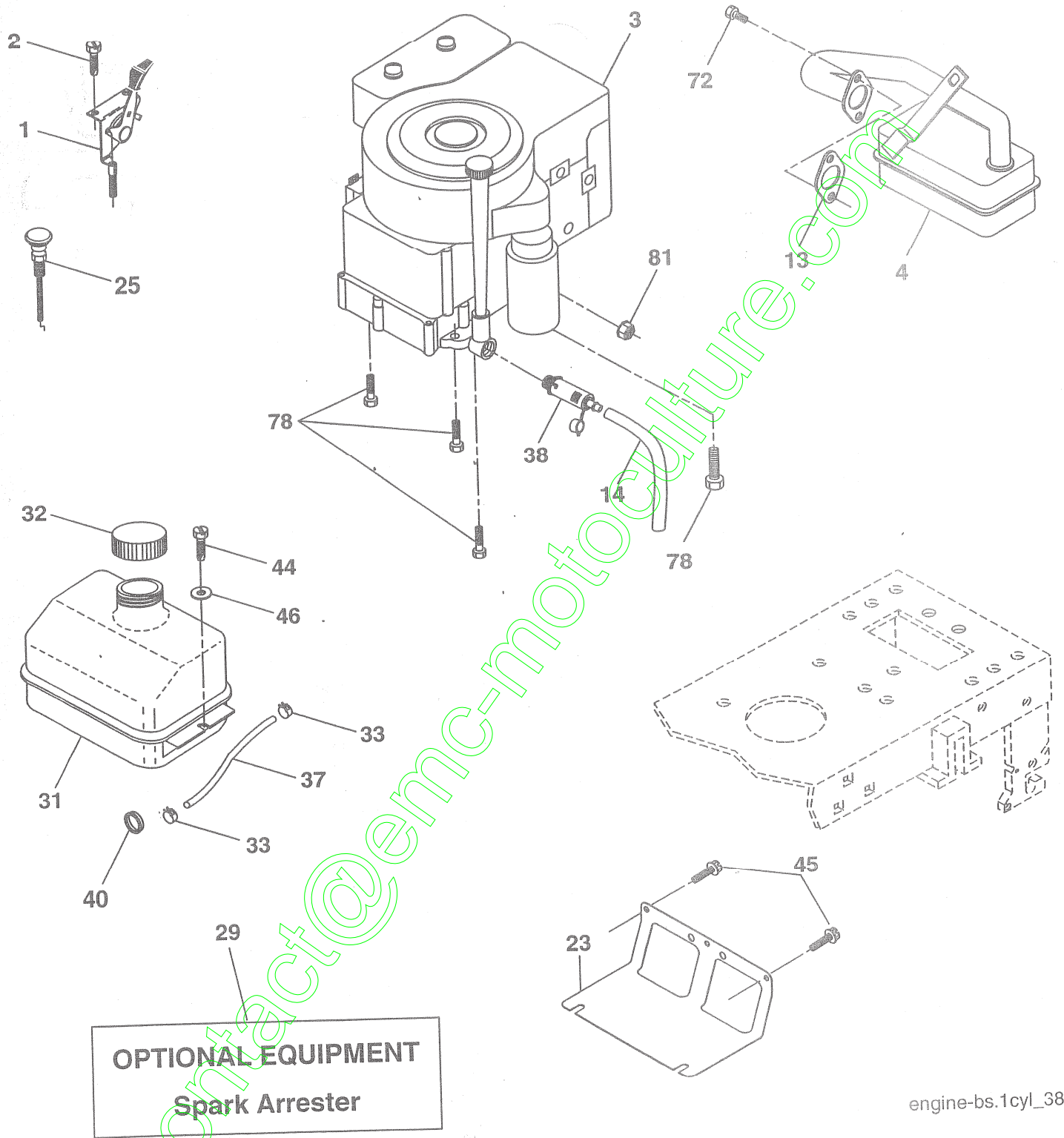
| KEY NO. | PART NO. | DESCRIPTION |
|---------|------------|-----------------------------------|
| 1 | 59192 | Cap Value Tire |
| 2 | 65139 | Stem Value |
| 3 | 106222X | Tire F Ts 15 x 6 0 - 6 Service |
| 4 | 59904 | Tube Inner Front #35060 |
| 5 | 106732X624 | Fim Asm 6" front White Service |
| 6 | 278H | Fitting Grease |
| 7 | 9040H | Bearing Flange |
| 8 | 106108X624 | Fim Asm 8" rear White Service |
| 9 | 106268X | Tire R. TS. 18 x 9.5-8 C. Service |
| 10 | 7152J | Tube Rear 9 5 x 8 Service |
| 11 | 104757X428 | Cap Axle Blk 1 50 x 1 00 |
| -- | 144334 | Sealant, Tire (10 oz. tube) |

NOTE: All component dimensions given in U.S. inches
1 inch = 25.4 mm

REPAIR PARTS

TRACTOR- -MODEL NO. 917. 277411

ENGINE



engine-bs.1cyl_38

REPAIR PARTS

TRACTOR- -MODEL NO. 917. 277411

ENGINE

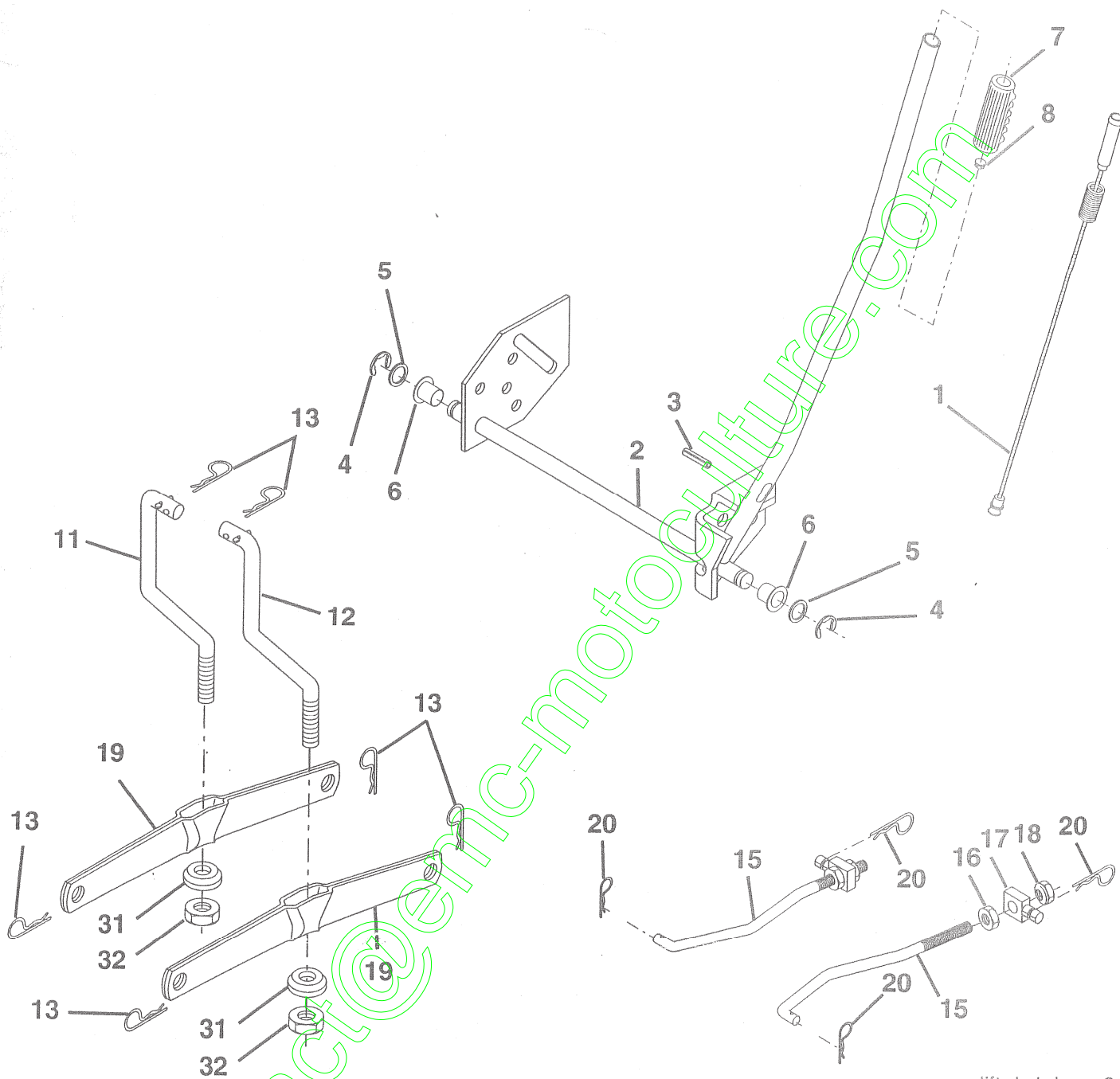
| KEY NO. | PART NO. | DESCRIPTION |
|---------|-------------------|--|
| 1 | 170545 | Control, Throttle |
| 2 | 17720408 | Screw, Hex Head, Thread Cutting 1/4-20 x 1/2 |
| 3 | ----- | Engine, (See Breakdown) Briggs Model 31C707-0240-E1 |
| 4 | 137352 | Muffler |
| 13 | 165291 | Gasket |
| 14 | 148456 | Tube Drain Oil Easy |
| 23 | 169837 | Shield Brn/Dbr Guard |
| 25 | 187770X428 | Control Choke |
| 29 | 137180 | Arrestor, Spark |
| 31 | 184900 | Tank, Fuel |
| 32 | 140527 | Cap Assembly, Fuel Sears, Vented |
| 33 | 123487X | Clamp, Hose |
| 37 | 137040 | Line, Fuel |
| 38 | 181654 | Plug Drain Oil Easy |
| 40 | 124028X | Bushing, Snap, Fuel Line |
| 44 | 17670412 | Screw, Hex Washer Head, Thd., Roll. 1/4-20 x 3/4 |
| 45 | 17000612 | Screw Hxwsh Thdr 3/8-16 x 3/4 |
| 46 | 19091416 | Washer 9/32 x 7/8 x 16 Ga. |
| 72 | 183906 | Screw Socket Head 5/16-18 x 1 |
| 78 | 17060620 | Screw 3/8-16 x 1-1/4 |
| 81 | 73510400 | Nut Keps Hex 1/4-20 |

NOTE: All component dimensions given in U.S. inches
1 inch = 25.4 mm

REPAIR PARTS

TRACTOR- -MODEL NO. 917. 277411

MOWER LIFT



lift-rh. 1piece_3

REPAIR PARTS

TRACTOR- -MODEL NO. 917. 277411

MOWER LIFT

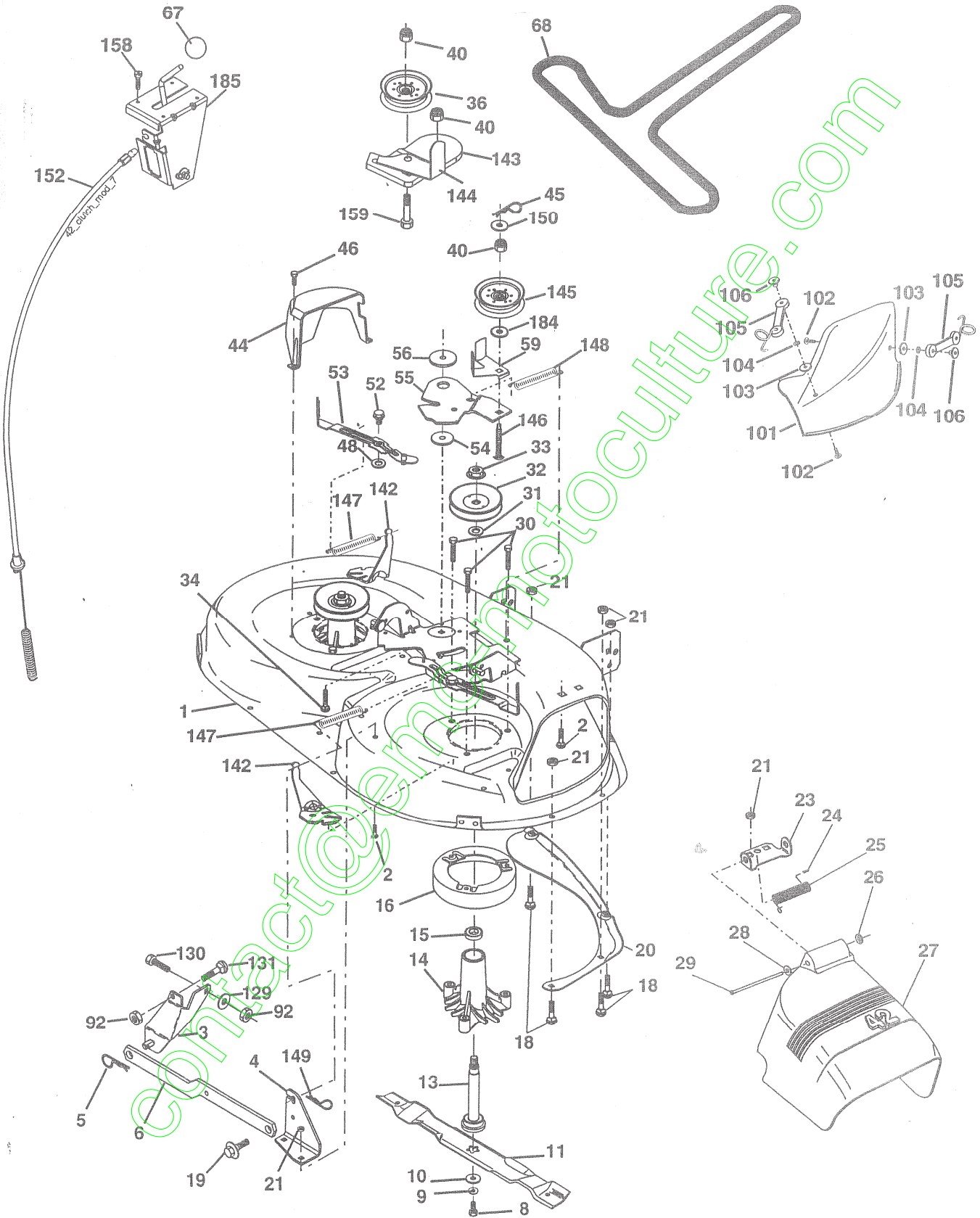
| KEY NO. | PART NO. | DESCRIPTION |
|---------|-----------|-----------------------------------|
| 1 | 159460 | Washer Asm Inner Spring W/Plunger |
| 2 | 159471 | Shaft Asm. Lift |
| 3 | 105767X | Pin Groove |
| 4 | 12000002 | E Ring #5133-62 |
| 5 | 19211621 | Washer 21/32 x 1 x 21 Ga. |
| 6 | 120183X | Bearing Nylon |
| 7 | 125631X | Grip Handle Fluted |
| 8 | 122365X | Button Plunger Read |
| 11 | 139865 | Link Asm Lift L.H. |
| 12 | 139866 | Link Asm Lift R.H. |
| 13 | STD624008 | Retainer Spring |
| 15 | 173288 | Link Front |
| 16 | 73350800 | Nut Jam Hex 1/2-13 unc |
| 17 | 175689 | Trunnion Blk Zinc |
| 18 | 73800800 | Nut Lock w/Wsh 1/2-13 unc |
| 19 | 139868 | Arm Suspension Mower |
| 20 | 163552 | Retainer Spring |
| 31 | 169865 | Bearing, Pvt. Lift |
| 32 | 73540600 | Nut Crownlock 3/8-24 |

NOTE: All component dimensions given in U.S. inches
1 inch = 25.4 mm

REPAIR PARTS

TRACTOR- -MODEL NO. 917. 277411

MOWER



REPAIR PARTS

TRACTOR- -MODEL NO. 917. 277411

MOWER

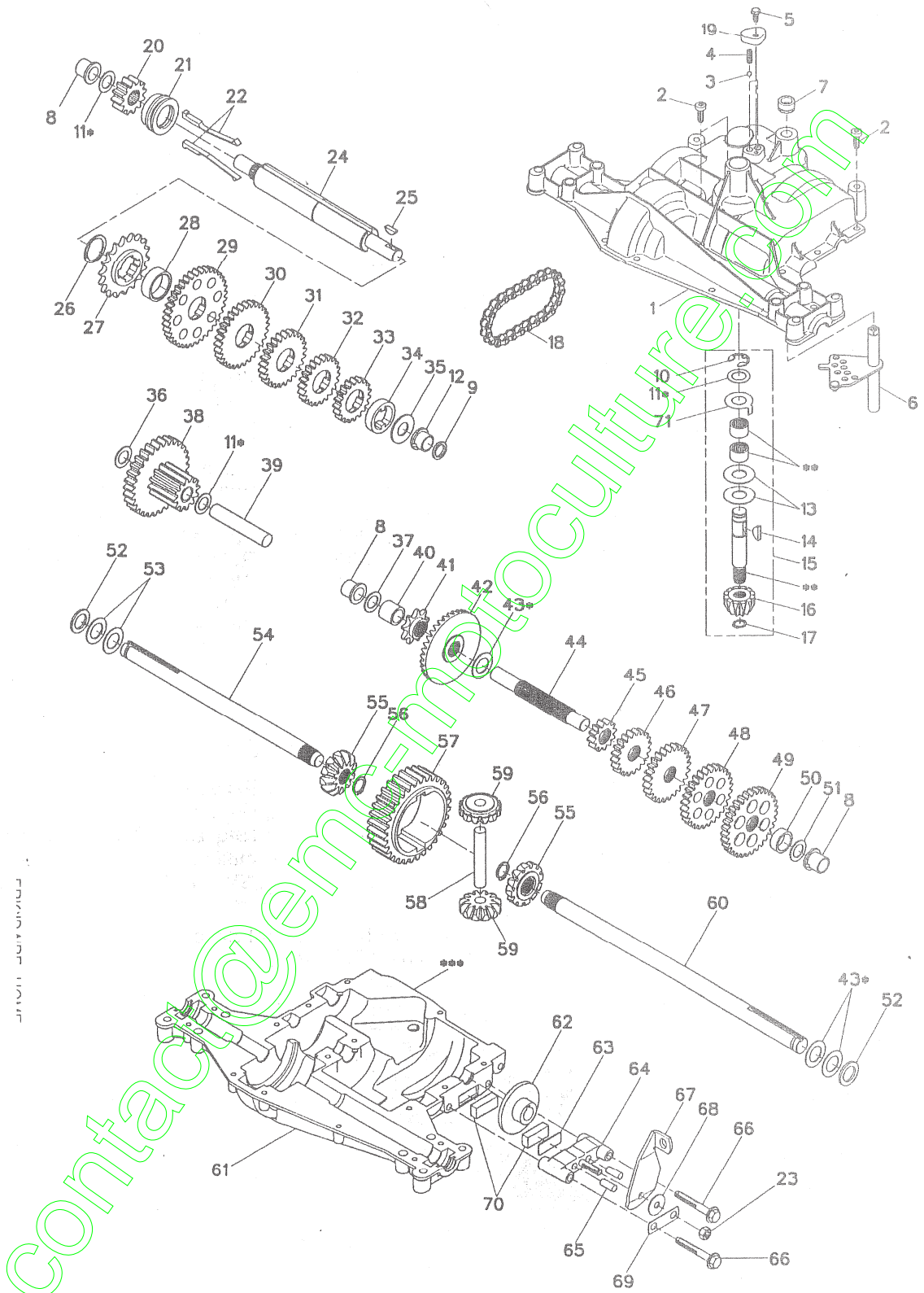
| KEY NO. | PART NO. | DESCRIPTION | KEY NO. | PART NO. | DESCRIPTION |
|---------|------------|-----------------------------------|---------|-----------|---|
| 1 | 165892 | Mower Deck Assembly, 42" | 56 | 165723 | Spacer, Retainer |
| 2 | STD533107 | Bolt | 59 | 141043 | Guard, TUV Idler |
| 3 | 138017 | Bracket Assembly, Sway Bar, Front | 67 | 184939 | Knob Custom Oval |
| 4 | 165460 | Bracket Sway Bar 38/42" Deck | 68 | 180215 | V-Belt |
| 5 | STD624008 | Retainer Spring | 92 | STD541437 | Nut |
| 6 | 178024 | Bar Sway Deck | 101 | 136420 | Mulcher Cover |
| 8 | 850857 | Bolt, Hex 3/8-24 x 1.25 Gr. 8 | 102 | 71081010 | Screw |
| 9 | STD551137 | Washer, Lock | 103 | 19061216 | Washer #10 |
| 10 | 140296 | Washer, Hardened | 104 | STD551110 | Washer, Lock |
| 11 | 134149 | Blade, | 105 | 160793 | Latch Assembly, Bagger |
| 13 | 137645 | Shaft Assembly, Mandrel, Vented | 106 | 2029J | Nut, Weld |
| 14 | 128774 | Housing, Mandrel, Vented | 129 | 19131312 | Washer 13/32 x 13/16 x 12 Ga. |
| 15 | 110485X | Bearing, Ball, Mandrel | 130 | STD523710 | Bolt, Fin Hex 3/8-16 unc x 1 Gr. 5 |
| 16 | 174493 | Stripper, Vented Mower Deck | 131 | STD533710 | Bolt, Rdhd Sqnk 3/8-16 unc x1 |
| 18 | 72140505 | Bolt, Carriage 5/16-18 x 5/8 | 142 | 165890 | Arm Spring Brake Mower |
| 19 | 132827 | Bolt, Shoulder | 143 | 157109 | Bracket Arm Idler 42" |
| 20 | 159770 | Baffle, Vortex | 144 | 158634 | Keeper Belt 42" Clutch Cable |
| 21 | STD541431 | Nut Crownlock 5/16-18 unc | 145 | 165888 | Pulley Idler Flat |
| 23 | 177563 | Bracket, Deflector | 146 | 171977 | Bolt Carriage Idler |
| 24 | 105304X | Cap, Sleeve | 147 | 179748 | Spring Extension |
| 25 | 123713X | Spring, Torsion, Deflector | 148 | 169022 | Spring Return Idler |
| 26 | 110452X | Nut, Push | 149 | 165898 | Retainer Spring Yellow Zinc |
| 27 | 130968X428 | Shield, Deflector | 150 | 19091210 | Washer 9/32 x 3/4' x 10 Ga. |
| 28 | 19111016 | Washer 11/32 x 5/8 x 16 Ga. | 152 | 181555 | Cable Clutch 42 In |
| 29 | 131491 | Rod, Hinge | 158 | 17720408 | Screw Hex Thd Cut 1/4-20 x 1/2 |
| 30 | 173984 | Screw Thdrol Washer Head | 159 | 72140614 | Bolt Rdhd Sqn 3/8-16 unc x 3/4 |
| 31 | 187690 | Washer, Spacer | 184 | 19131410 | Washer 13/13 x7/8 x 10 Ga. |
| 32 | 153535 | Pulley, Mandrel | 185 | 188234 | Head Asm Cable Clutch |
| 33 | 178342 | Nut, Toplock, Flanged | -- | 130794 | Mandrel Assembly (Includes Housing, Shaft and Shaft Hardware Only - Pulley Not Included) |
| 34 | STD533717 | Bolt | -- | 181268 | Replacement Mower, Complete (Std. Deck-Order separately mulcher cover components key nos. 101 - 106). |
| 36 | 131494 | Pulley, Idler, Flat | | | |
| 40 | 73900600 | Nut Lock 3/8-16 | | | |
| 44 | 140088 | Guard, Mandrel, L.H. | | | |
| 45 | STD624003 | Retainer | | | |
| 46 | 137729 | Screw, Thd. Roll 1/4-20 x 5/8 | | | |
| 48 | 133944 | Washer, Hardened | | | |
| 52 | 139888 | Bolt, Shoulder 5/16-18 unc | | | |
| 53 | 184907 | Arm Assembly, Pad, Brake | | | |
| 54 | 178515 | Washer, Hardened | | | |
| 55 | 155046 | Arm, Idler | | | |

NOTE: All component dimensions given in U.S. inches
1 inch = 25.4 mm

REPAIR PARTS

TRACTOR- -MODEL NO. 917. 277411

DANA TRANSAXLE - MODEL NUMBER D4360-140



REPAIR PARTS

TRACTOR- -MODEL NO. 917. 277411

DANA TRANSAXLE - MODEL NUMBER D4360-140

| KEY NO. | PART NO. | DESCRIPTION | KEY NO. | PART NO. | DESCRIPTION |
|---------|----------|-----------------------------------|---------|----------|-----------------------------------|
| 1 | 170981 | Housing, Upper | 41 | 105928X | Sprocket, 9T |
| 2 | 2274J | Screw, Tapping, 1/4-20 X .734 | 42 | 170988 | Gear, Bevel, 36T |
| 3 | 134400 | Ball, Detent | 43 | 134394 | * Assy, Kit, Shim, .750 Shaft |
| 4 | 105904X | Spring, Detent | 44 | 120473X | Shaft, Drive |
| 5 | 160940 | Screw, Tapping, No. 10-24 X .482 | 45 | 142678 | Gear, Spur, 12T |
| 6 | 138235 | Assy, Kit, Shifter | 46 | 124641 X | Gear, Spur, 20T |
| 7 | 108727X | V-Ring | 47 | 106589X | Gear, Spur, 25T |
| 8 | 148266 | Bearing, Flange | 48 | 120408X | Gear, Spur, 28T |
| 9 | 148269 | Seal, Oil | 49 | 105937X | Gear, Spur, 31T |
| 10 | 2225J | Ring, Retaining | 50 | 105936X | Spacer, .781 X 1.00 X .375 |
| 11 | 134793 | * Assy, Kit, Shim, .625 Shaft | 51 | 2226J | Washer, Plain, .632 X 1.00 X .060 |
| 12 | 148268 | Bearing, Flange | 52 | 134401 | Washer, Neoprene |
| 13 | 120415X | Washer, Plain, .632 X 1.38 X .046 | 53 | 2264J | Washer, Plain, .758 X 1.25 X .031 |
| 14 | 142674 | Key, Woodruff, No. 9 | 54 | 160946 | Axle, LH |
| 15 | 170983 | Assy, Kit, Input Shaft | 55 | 170990 | Gear, Miter, T, Splined |
| 16 | 170986 | Pinion, Bevel, 12T | 56 | 160948 | Ring, Retaining |
| 17 | 105909X | Ring, Retaining | 57 | 110071X | Gear, Spur, 32T |
| 18 | 105910X | Chain, 24 Pitches | 58 | 120952X | Shaft, Cross |
| 19 | 160942 | Cover, Detent | 59 | 170991 | Gear, Miter, 1 2T, Idler |
| 20 | 160943 | Gear, Spur, 1 2T | 60 | 160950 | Axle, RH |
| 21 | 148267 | Collar, Clutch | 61 | 170992 | Housing, Lower |
| 22 | 138236 | Assy, Kit, Clutch Keys | 62 | 7294J | Disc, Brake |
| 23 | 73810500 | Nut, Lock, 5/16-24 | 63 | 108989X | Spacer, Brake Puck |
| 24 | 142676 | Shaft, Intermediate | 64 | 160952 | Jaw, Brake |
| 25 | 2244J | Key, Woodruff, No. 61 | 65 | 120954X | Pin, Dowel |
| 26 | 105916X | Ring, Retaining | 66 | 160953 | Screw, Tapping, 5/16-18 X 2.35 |
| 27 | 120470X | Sprocket, 1 8T | 67 | 138244 | Lever, Actuating |
| 28 | 110070X | Spacer, 1.131 X 1.45 X .494 | 68 | 108996X | Washer, Plain, .321 X 1.00 X .055 |
| 29 | 142677 | Gear, Spur, 37T | 69 | 160954 | Bracket, Anti-Rotation |
| 30 | 124644X | Gear, Spur, 30T | 70 | 120951X | Puck, Friction |
| 31 | 108980X | Gear, Spur, 25T | 71 | 174256 | Washer, Anti Rotation |
| 32 | 120406X | Gear, Spur, 22T | 72 | 120416X | Grease |
| 33 | 134796 | Gear, Spur, 1 9T | | | |
| 34 | 134797 | Spacer, 1.133 X 1.50 X .375 | | | |
| 35 | 105925X | Washer, Plain, .640 X 1.37 X .061 | | | |
| 36 | 2228J | Washer, Plain, .632 X 1.00 X .046 | | | |
| 37 | 170987 | Washer, Plain, .632 X 1.00 X .031 | | | |
| 38 | 174255 | Assy, Gear, Comb., 12T & 30T | | | |
| 39 | 124639X | Shaft, Idler | | | |
| 40 | 120472X | Spacer, .633 X .87 X .755 | | | |

NOTE: All componen. dimensions given in U.S. inches
1 inch = 25.4 mm

* Use in various combinations to maintain proper clear ances.

** Order Key No. 15.

*** Silicone Seaiant to be applied between Upper and Lower Housings (use Loctite Ultra Gray Silicone 5699 or equivalent).