

REPAIR PARTS MANUAL
MODEL NO. 277470
Lawn Tractor

CRAFTSMAN®

HOW TO USE THIS MANUAL

This manual is designed to provide the customer with a means to identify the parts on his/her tractor when ordering repair parts. The illustrations may or may not represent the actual assemblies; therefore, it is not recommended to use this manual as a guide to assemble or disassemble the tractor. Some hardware and parts are drawn larger in order to more readily identify them.

Each tractor has its own model number.

The model number for your tractor can be found on the fender under the seat.

When ordering parts, always give the following information:

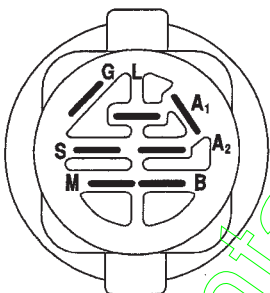
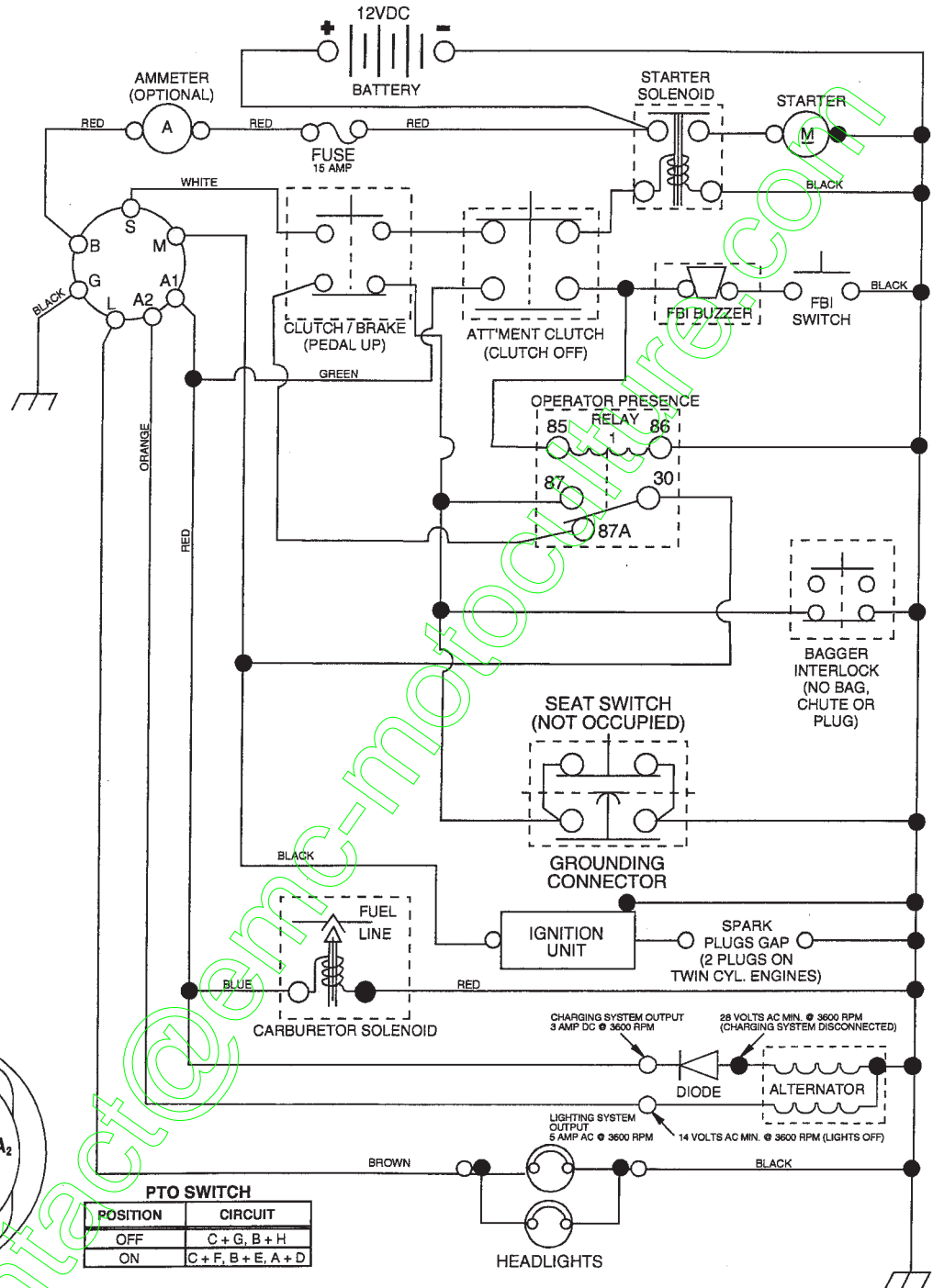
- Product - "Tractor"
- Model Number - "277470"
- Part Number
- Part Description

TABLE OF CONTENTS

SCHEMATIC	3
ELECTRICAL.....	4-5
CHASSIS.....	6-7
DRIVE.....	8-9
STEERING	10-11
SEAT	12
DECALS.....	13
ENGINE.....	14
MOWER LIFT	15
MOWER DECK	16-17
BAGGER	18-19
TRANSAXLE.....	20-21
ENGINE BREAKDOWN.....	22-27
WARRANTY.....	28

TRACTOR- -MODEL NO. 917.277470

SCHEMATIC



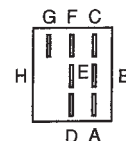
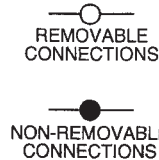
IGNITION SWITCH

POSITION	CIRCUIT	"MAKE"
OFF	M+G+A1	NONE
RUN/LIGHT	B+A1	A2+L
RUN	B+A1	NONE
START	B + S + A1	NONE

POSITION	CIRCUIT
OFF	C + G, B + H
ON	C + F, B + E, A + D

WIRING INSULATED CLIPS
NOTE: IF WIRING INSULATED CLIPS WERE REMOVED FOR SERVICING OF UNIT, THEY SHOULD BE REPLACED TO PROPERLY SECURE YOUR WIRING.

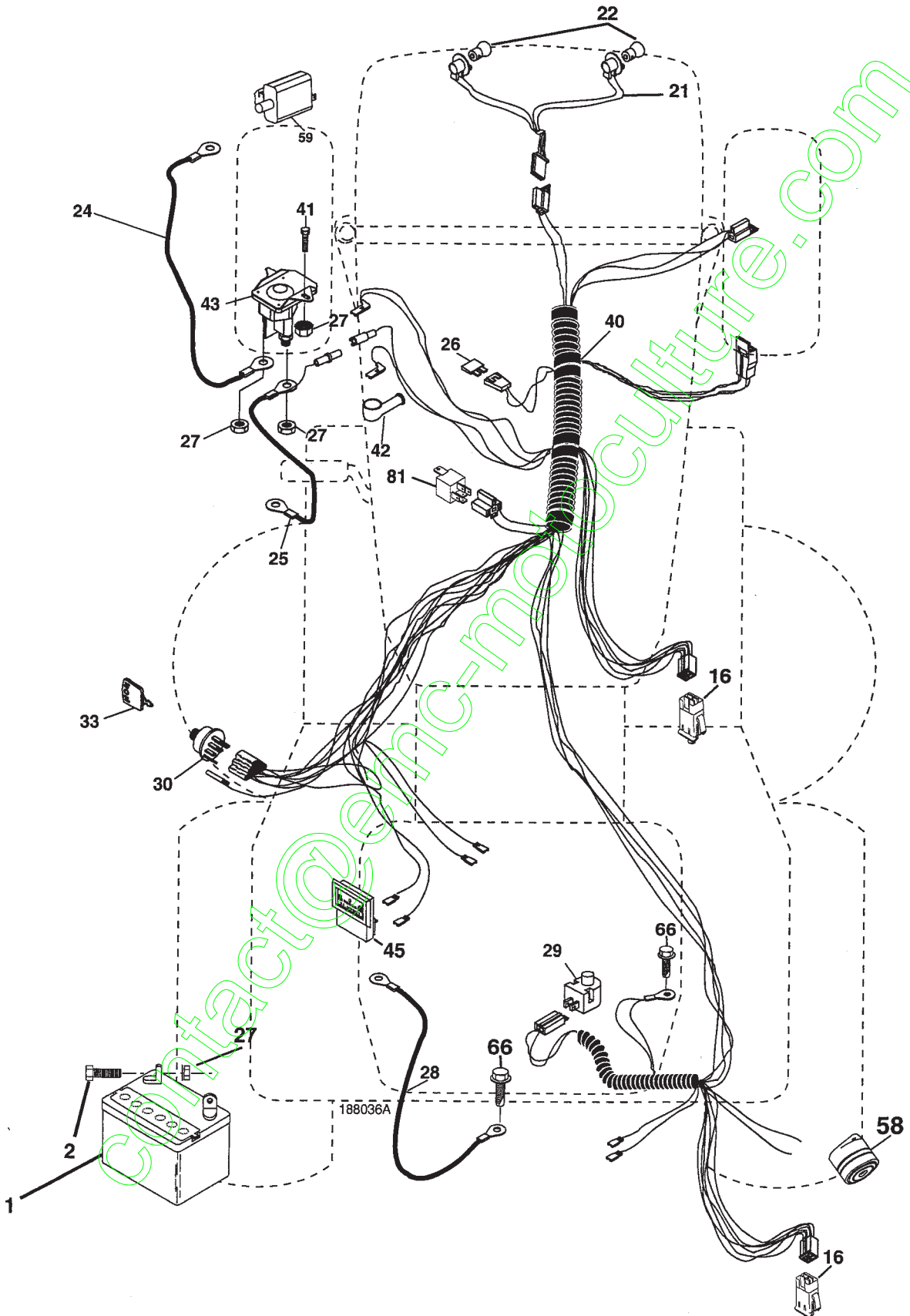
02863



REPAIR PARTS

TRACTOR--MODEL NO. 917.277470

ELECTRICAL



REPAIR PARTS

TRACTOR- -MODEL NO. 917.277470

ELECTRICAL

KEY NO.	PART NO.	DESCRIPTION
1	163465	Battery
2	74760412	Bolt Hex Hd 1/4-20 unc x 3/4
16	176138	Switch Interlock Push-In
21	183759	Harness Asm Light W/4152J
22	4152J	Bulb Light #1156
24	4799J	Cable Starter 6 Ga. 11" Red
25	165987	Cable Battery Crd 56" Red
26	175158	Fuse
27	STD541425	Nut Keps Hex 1/4-20 unc
28	127725X	Cable Ground 6 Ga. 18" Black
29	121305X	Switch Plunger Normal NC Gray
30	175566	Switch Ignition
33	140403	Key Ign Molded
40	188036	Harness Ign Crd Noram
41	71110408	Bolt Flk Fin Hex 1/4-20 unc x 1/2
42	131563	Cover Terminal Red
43	192507	Solenoid
48	121433X	Ammeter Adapter
58	169419	Buzzer Crd
59	180379	Switch FBI CRD
66	17490608	Screw Thdrol 3/8-16 x 1/2 Ty-Tt
81	109748X	Relay Asm

NOTE: All component dimensions given in U.S. inches.
1 inch = 25.4 mm.

REPAIR PARTS

TRACTOR- -MODEL NO. 917.277470

CHASSIS AND ENCLOSURES

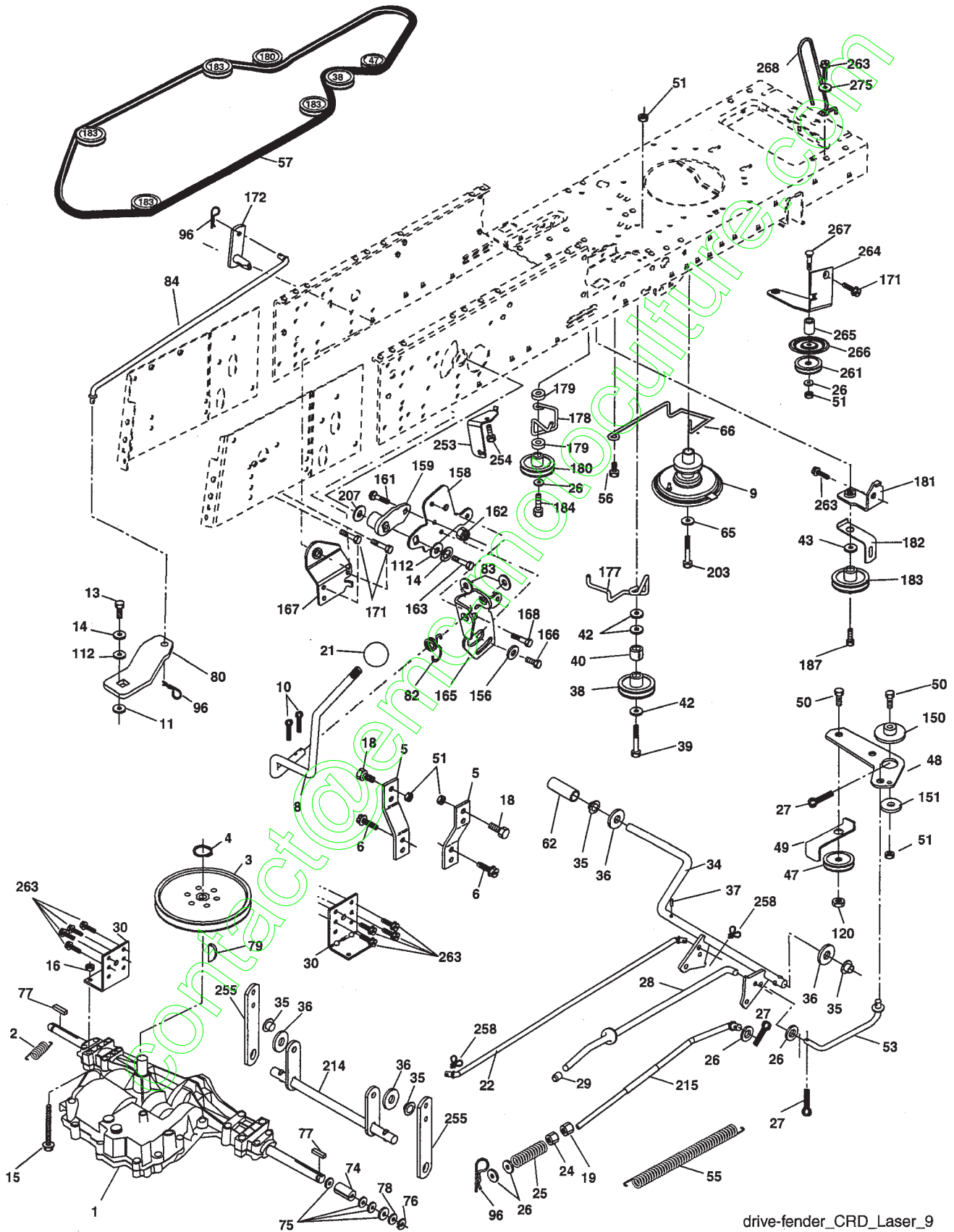
KEY NO.	PART NO.	DESCRIPTION	KEY NO.	PART NO.	DESCRIPTION
1	174620	Chassis Assembly	162	180382	Bracket Exten Chassis Lh CRD
2	180384	Drawbar	163	180383	Bracket Exten Chassis Rh CRD
3	17060612	Screw 3/8-16 x .75	164	165605	Support Battery CRD
5	155272	Bumper Hood/Dash	165	179020X428	Cover Battery CRD Lt
6	184419	Saddle	170	178862	Backplate Asm CRD
8	126471X	Clip Insulator 13/32 Mtg. Hole	171	72140620	Bolt Rhd Sqnk 3/8-16 x 2-1/2
9	193519X010	Dash Silscr	172	19132016	Washer 13/32 x 1-1/4 x 16 Ga.
10	STD533710	Bolt, Carriage 3/8-16 x 1	173	STD541437	Nut, Keps Hex 3/8-16 unc
11	174996	Panel, Dash, L.H.	175	188203	Door Trap
13	172105X010	Panel, Asm. Dash R.H.	179	188202	Rod Pivot FBI CRD
15	74180512	Screw, Machine, Truss Head 5/16-18 unc x 3/4	184	174662	Bracket Actuator Bagger CRD
16	STD541431	Nut Keps 5/16-18 unc	185	179608X505	Knob Rod Brake Parking
17	185682X613	Hood Assembly	186	160793	Latch Asm Mulch/Bagger
18	184921	Bumper Hood	187	2029J	Nut Weld .327/.304 #10-24
24	STD523710	Bolt Fin Hex 3/8-16 unc x 1. Gr. 5	188	19061216	Washer #10
25	19131312	Washer 13/32 x 13/16 x 12 Ga.	189	STD551110	Washer Lock #10
26	STD541437	Nut Lock Hex w/lns 3/8-16 unc	190	71081010	Screw Pan Hd Phillips 10-24
28	193258	Grille/Lens Asm (Includes key #'s 29 and 212)	198	168937	Nut, Push
29	174332X599	Lens, Grille	205	17490608	Screw Thdrol 5/8-16 x 1/2
30	192533X613	Fender	207	17670508	Screw Thdrol 5/16-18 x 1/2
31	165156	Bracket, Fender Support	208	17670608	Screw Thdrol 3/8-16 x 1/2 TYT
33	179716X613	Footrest, L.H.	209	17000612	Screw Hex Wsh Thdrol 3/8-16
34	179717X613	Footrest, R.H.	212	175143	Insert Lens Reflective
35	STD533107	Bolt RDHD SHT SQNK 3/8-16 x 3/4	256	180810X428	Cover Fender Rack
37	17490508	Screw Thdrol 5/16-18 x 1/2 TYT	265	185704	Seal Side RH
38	181748	Pivot Bracket Assembly	266	185703	Seal Side LH
39	174714	Bracket Pivot	278	191611	Screw 10 x 3/4 Single-Lead Hex
69	142432	Screw Hex 1/4-1/2 unc	--	5479J	Plug, Button
89	192392X428	Console	--	193640X428	Plug Switch Light
145	156524	Rod Pivot Chassis/Hood			

NOTE: All component dimensions given in U.S. inches.
1 inch = 25.4 mm.

REPAIR PARTS

TRACTOR- -MODEL NO. 917.277470

DRIVE



drive-fender_CRD_Laser_9

REPAIR PARTS

TRACTOR- -MODEL NO. 917.277470

DRIVE

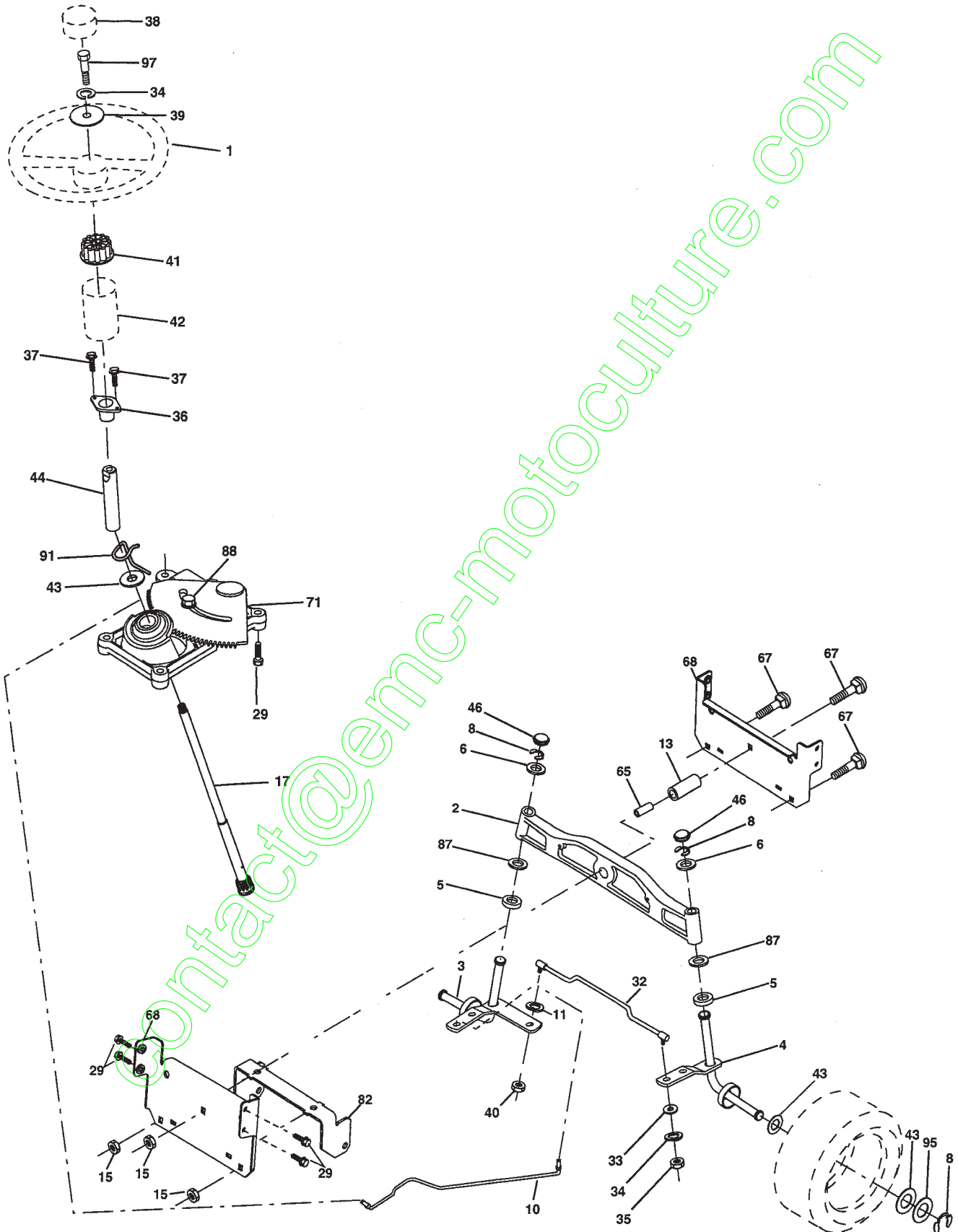
KEY NO.	PART NO.	DESCRIPTION	KEY NO.	PART NO.	DESCRIPTION
1	-----	Transaxle Peerless 206-546 (See Breakdown)	78	121748X	Washer 25/32 x 1-5/8 x 16 Ga.
2	146682	Spring Brake Return	79	STD580025	Key Woodruff #9 3/16 x 3/4
3	165999	Pulley Transaxle	80	145090	Arm Shift Pmst 20" Tires
4	12000028	Ring Retainer #5100-62	82	165711	Spring, Torsion
5	121520X	Strap Torque 30 Degrees	83	19171216	Washer 17/32 x 3/4 x 16 Ga.
6	17060512	Screw 5/16-18 x 3/4	84	165621	Link, Shift
8	165619	Rod, Shift Fender Adjust Lt	96	STD624008	Spring, Retainer 1"
9	180354	Clutch Noram	112	19091210	Washer 9/32 x 3/4 x 10 Ga.
10	STD561210	Pin, Cotter 1/8 x 1	120	73900600	Nut Lock Flg 3/8-16 unc
11	105701X	Wash Plate Sht .388 Square Hole	150	165850	Bushing, Bellcrank Grnd Dr
13	74550412	Bolt 1/4-28 unf Gr. 8 w/Patch	151	19133210	Washer 13/32 x 2 x 10 Ga.
14	STD551125	Washer, Lock Hvy Helical 1/4	156	166002	Washer Srrted 5/16ID x 1.125
15	74490544	Bolt Hex FGHD 5/16-18 x Gr. 5	158	165589	Bracket Shift Mount
16	STD541431	Nut Lock Hex W/Wsh 5/16-18 unc	159	183900	Hub Tapered Flange Shift Lt
18	STD523710	Bolt Hex 3/8-16 unc x 1 Gr. 5	161	72140406	Bolt Rdhd Sqnk 1/4-20 x 3/4 Gr. 5
19	STD541437	Nut Lock Hex W/Wsh 3/8-16 unc	162	73680400	Nut Crownlock 1/4-20 unc
21	106933X	Knob Rd 1/2-13 Plstc Thds Blk	163	74780416	Bolt Hex Fin 1/4-20 unc x 1 Gr. 5
22	175607	Rod, Brake CRD Pmst	165	165623	Bracket Pivot Lever
24	STD541237	Nut Hex Jam 3/8-16 unc	166	17490510	Screw 5/16-18 x 5/8
25	106888X	Spring, Rod, Brake	167	165588	Bracket Support Shift CRD
26	STD551037	Washer 13/32 x 13/16 x 16 Ga.	168	165492	Bolt Shoulder 5/16-18 x .561
27	STD561210	Pin, Cotter 1/8 x 3/4	171	17490608	Screw Thdrol 3/8-16 x 1/2 Ty-Tt
28	175765	Rod, Parking Brake	172	165635	Shaft Shift Front CRD
29	71673	Cap, Parking Brake	177	165932	Keeper Flat Idler 3.06" CRD
30	174973	Bracket, Mfg. Transaxle	178	165933	Keeper Belt Idler 1.88" CRD
34	175578	Shaft, Asm Pedal Foot CRD	179	120958X	Washer Sintered
35	120183X	Bearing, Nylon	180	165630	Pulley Flat Idler 1.88"
36	STD551062	Washer 21/32 x 1 x 16 Ga.	181	180211	Bracket Idler Ground Drive CRD
37	STD571810	Pin, Roll 3/16 x 1"	182	182682	Keeper Belt 2.5" Od V-Idler CRD
38	165936	Pulley Flat Composite 3.06"	183	186007	Pulley V-Idler 2.50" Od CRD
39	74760644	Bolt Fin Hex 3/8-16 unc x 2-3/4	184	17490644	Screw Hexwsh Thdrol 3/8-16 x 2-3/4
40	4470J	Spacer, Split 395 x 59 Bzp	187	17580520	Screw Thdrol 5/16-18 x 1.25
42	19131312	Washer 13/32 x 13/16 x 12 Ga.	203	71170780	Bolt Hex 7/16-20 x 5
43	19111012	Washer 11/32 x 5/8 x 12 Ga.	207	169845	Washer Nylon
47	127783	Pulley, Idler, V Groove Plstc	214	175609	Shaft Asm Brake
48	154407	Bellcrank Clutch Grnd Dry	215	175651	Rod Brake
49	123205X	Retainer, Belt Style Spring	253	175028	Bracket Cable Chassis
50	72110612	Bolt Carr. Sh 3/8-16 x 1-1/2 Gr. 5	254	17000616	Screw 3/8-16 x 1
51	STD541437	Nut, Crownlock 3/8-16 unc	255	175608	Brace Shaft Brake
53	105710X	Link, Clutch 7.66	258	178062	Clip Retainer
55	105709X	Spring, Return, Clutch	261	131494	Pulley Idler
56	STD523712	3/8-16 unc x 1-1/4	263	17000612	Screw Hex Wsh Thdr 3/8-16 x 3/4
57	165631	V-Belt Kev 111" Pmst CRD	264	181995	Bracket Clutch Mounting
62	8883R	Cover, Pedal	265	182013	Spacer Idler Chassis
65	STD551143	Washer	266	182061	Shield Idler
66	154778	Keeper, Belt Engine F-Proof	267	72140626	Bolt Rdhd 3/8-16 x 3 1/4
74	137057	Spacer, Axle	268	182402	Guard Muffler RH
75	121749X	Washer 25/32 x 1-1/4 x 16 Ga.	275	19131614	Washer 13/32 x 1 x 14 Ga.
76	STD581075	Ring, E			
77	123583X	Key, Square			

NOTE: All component dimensions given in U.S. inches
1 inch = 25.4 mm

REPAIR PARTS

TRACTOR- -MODEL NO. 917.277470

STEERING ASSEMBLY



REPAIR PARTS

TRACTOR- -MODEL NO. 917.277470

STEERING ASSEMBLY

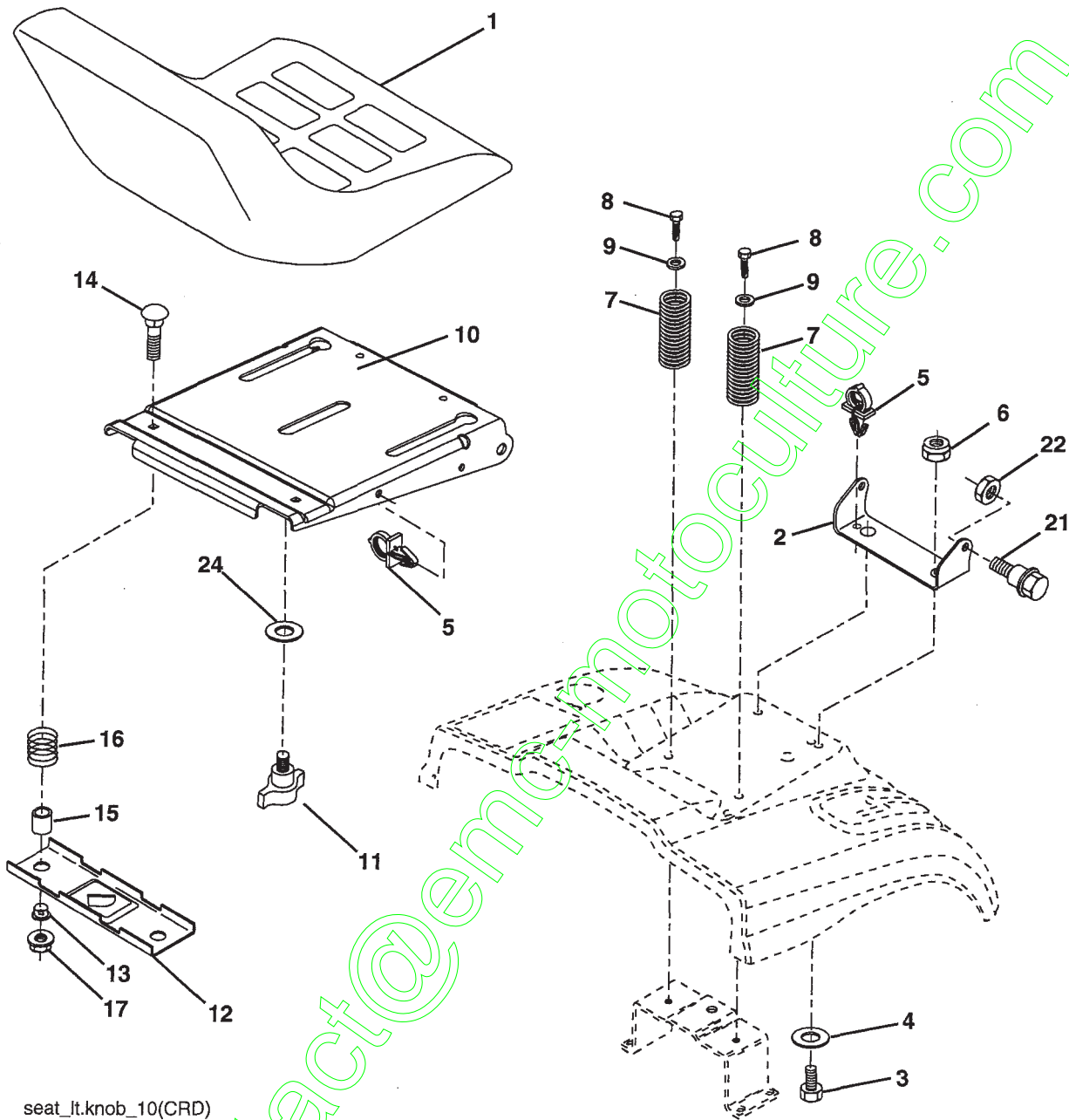
KEY NO.	PART NO.	DESCRIPTION
1	186780	Steering Wheel
2	184706	Front Axle Assembly
3	169840	Spindle Assembly, L.H.
4	169839	Spindle Assembly, R.H.
5	6266H	Bearing, Race, Thrust, Hardened
6	121748X	Washer 25/32 x 1-5/8 x 16 Ga.
8	12000029	Ring, Klip
10	175121	Link, Drag
11	STD551137	Washer, Lock
13	136518	Spacer Axle
15	145212	Nut, Hexflange Lock
17	190753	Shaft Assembly, Steering
29	17000612	Screw, 3/8-16 x 3/4 SMGM Tap/R
32	170162	Rod, Tie
33	19111216	Washer 11/32 x 3/4 x 16 Ga.
34	STD551131	Washer Lock Hvy Hlcl Spr 5/16
35	73540500	Nut Crownlock 5/16-24 unf
36	155099	Bushing, Steering
37	152927	Screw TT #10-32 x 5 x 3/8 Flange
38	186781	Cap Wheel Steering
39	19113812	Washer 11/32 ID x 2-3/8 OD x 12 Ga.
40	73540600	Nut Crownlock 3/8-24
41	186737	Adaptor, Steering Wheel
42	145054X428	Boot, Steering Dash
43	121749X	Washer 25/32 x 1-1/4 x 16 Ga.
44	190752	Extension Steering Non-Adjust
46	184946X505	Cap, Spindle
65	160367	Spacer Brace Axle
67	72110618	Bolt RDHD SQ 3/8-16 x 2-1/4
68	169827	Brace Axle
71	175146	Steering Asm.
82	169835	Bracket Susp Chassis Front
87	173966	Washer FLat .781 x 1-1/2 x .14
88	175118	Bolt Shoulder
91	175553	Clip Steering
95	188967	Washer Harden .739 x 1.637 x 060
97	74780564	Bolt 5/16-18 unc x 4" L Gr. 5

NOTE: All component dimensions given in U.S. inches.
1 inch = 25.4 mm.

REPAIR PARTS

TRACTOR- -MODEL NO. 917.277470

SEAT ASSEMBLY



seat_lt.knob_10(CRD)

KEY NO.	PART NO.	DESCRIPTION
1	188716	Seat
2	180166	Bracket Pnt Pivot Seat (blk)
3	71110616	Bolt Fin Hex 3/8-16 unc x 1
4	19131610	Washer Flat 13/32 x 1 x 10 Ga.
5	145006	Clip Push In Hinged
6	STD541437	Nut Lock Hex 3/8-16 Unc
7	124181X	Spring Seat Cprsn 2 250 Blk Zi
8	17000616	Screw 3/8-16 x 1
9	19131614	Washer 13/32 x 1 x 14 Ga.
10	180186	Pan Pnt Seat
11	166369	Knob Seat Adj Wingnut
12	121246X	Bracket Pnt Mounting Switch

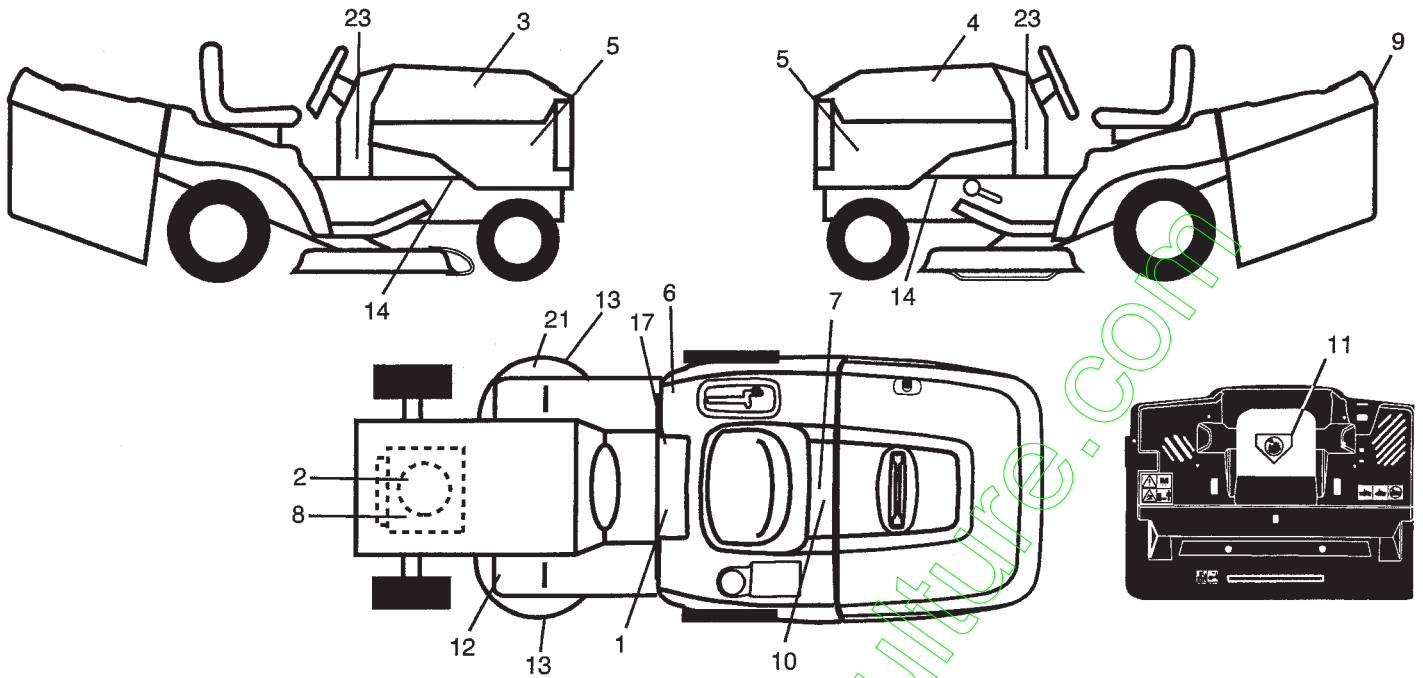
KEY NO.	PART NO.	DESCRIPTION
13	121248X	Bushing Snap Blk Nyl 50 Id
14	72050412	Bolt Rdhd Sht Nk 1/4-20 x 1-1/2
15	134300	Spacer Split .28 x .96 Zinc
16	121250X	Spring Cprsn
17	123976X	Nut Lock 1/4 Lge Flg Gr. 5 Zinc
21	171852	Bolt Shoulder 5/16-18 unc-2A
22	STD541431	Nut Hex Lock w/Ins 5/16-18
24	19171912	Washer 17/32 x 1-3/16 x 12 Ga.

NOTE: All component dimensions given in U.S. inches.
1 inch = 25.4 mm

REPAIR PARTS

TRACTOR- -MODEL NO. 917.277470

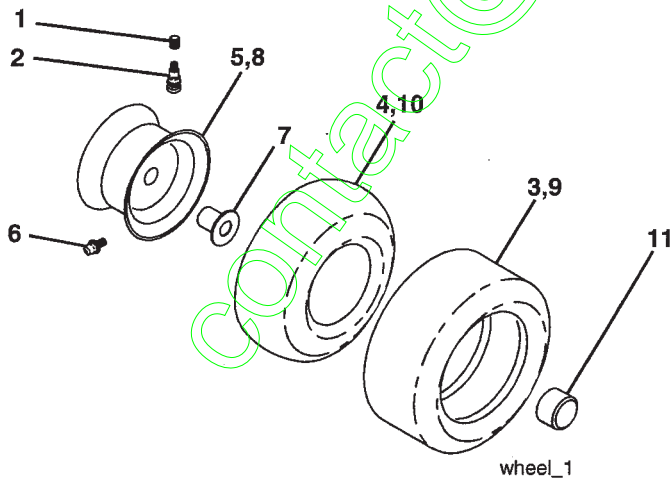
DECALS



KEY NO.	PART NO.	DESCRIPTION
1	145498	Decal Read Owner's Manual Sym
2	198046	Decal Hp Engine
3	186280	Decal Hood Rh
4	186281	Decal Hood Lh
5	193545	Decal Hood Side LT 1000
6	180432	Decal 100 DB/CE
7	166960	Decal Bypass Fender
8	196841	Decal Engine Warning Sym
9	186282	Decal Fender Logo
10	145005	Decal Bat Dan/Poi P/L Sym Wpn
11	182166	Decal Mower Cut Finger Symbol
12	159737	Decal Brake/Clutch Symbol Lt

KEY NO.	PART NO.	DESCRIPTION
13	196842	Decal Saddle Shift Sym. Cutfinger
14	159736	Decal Chassis Hot Muffler
17	140837	Decal Saddle Brake Parking
21	166286	Decal Deck Sch 92 CRD
23	189276	Decal Panel Dash
--	138311	Decal Lift Handle
--	179768X428	Pad Footrest LH
--	182621	Decal Bagger Frame Assy
--	179769X428	Footrest Pad RH
--	198449	Manual Operator's (Euro)
--	198450	Manual Operator's (Scand)
--	198451	Manual Parts

WHEELS & TIRES



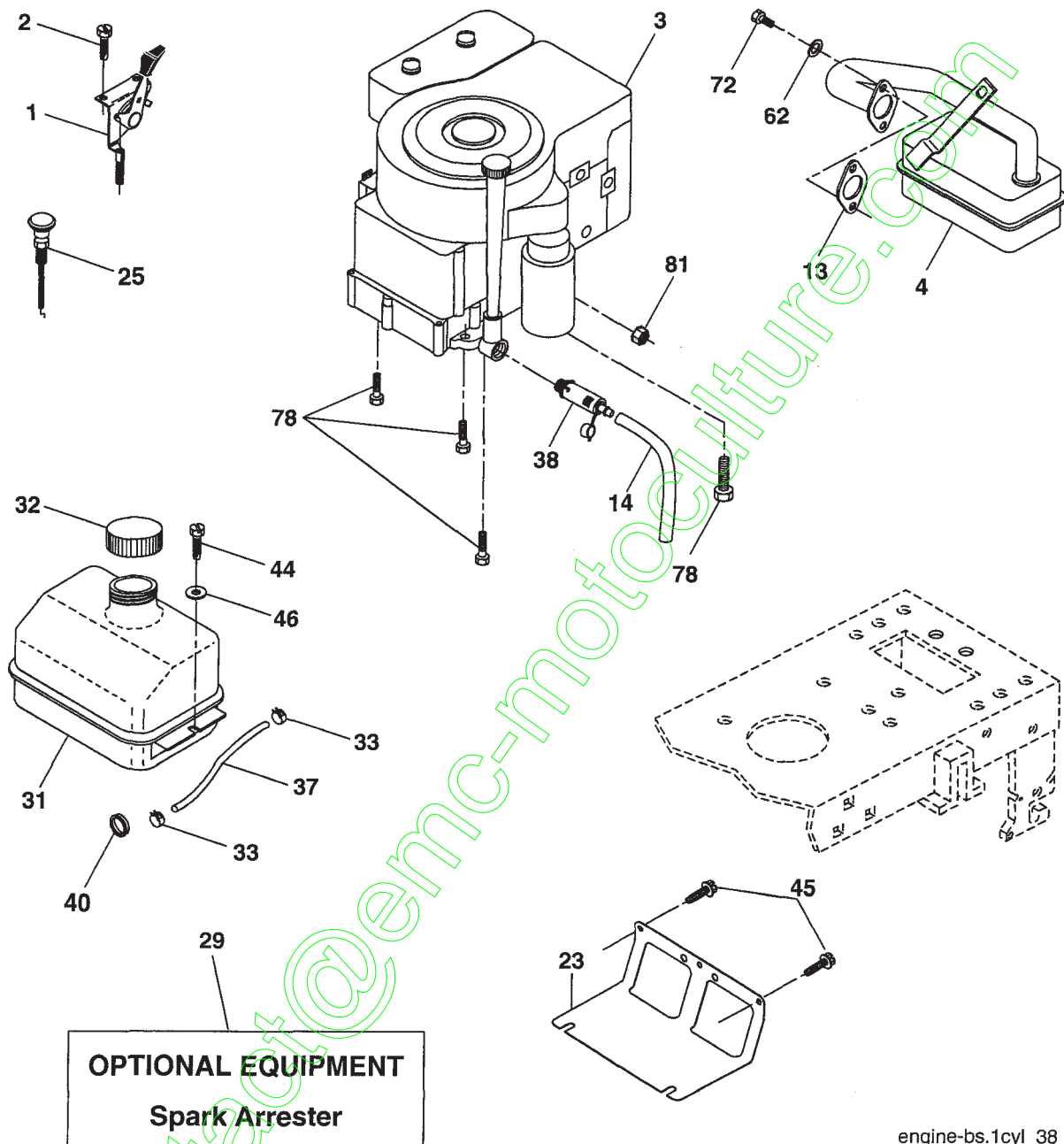
KEY NO.	PART NO.	DESCRIPTION
1	59192	Cap Value Tire
2	65139	Stem Value
3	106222X	Tire F Ts 15 x 6.0 - 6 Service
4	59904	Tube Inner Front #35060
5	106732X417	Rim Asm 6" front Service
6	278H	Fitting Grease
7	9040H	Bearing Flange
8	106108X417	Rim Asm 8" rear Service
9	106268X	Tire R Ts 18 x 9.5-8 Service
10	7152J	Tube Rear 9.5 x 8 Service
11	104757X428	Cap Axle Blk 1 50 x 1 00
--	144334	Sealant, Tire (10 oz. tube)

NOTE: All component dimensions given in U.S. inches
1 inch = 25.4 mm

REPAIR PARTS

TRACTOR- -MODEL NO. 917.277470

ENGINE



engine-bs.1cyl_38

KEY NO.	PART NO.	DESCRIPTION
1	170545	Control Throttle
2	17720408	Screw Hex Thd Cut 1/4-20 x 1/2
3	-----	Engine Briggs Model 283H07-0400-E1 (See Breakdown)
4	137352	Muffler Exhaust B&S Lt
13	165291	Gasket 1 313 Id Tin Plated
14	148456	Tube Drain Oil Easy
23	169837	Shield Browning/Debris Guard
25	187770X428	Control Choke
29	137180	Arrester Spark
31	187750	Tank Fuel 1.25 Fr
32	140527	Cap Asm Fuel
33	123487X	Clamp Hose Blk

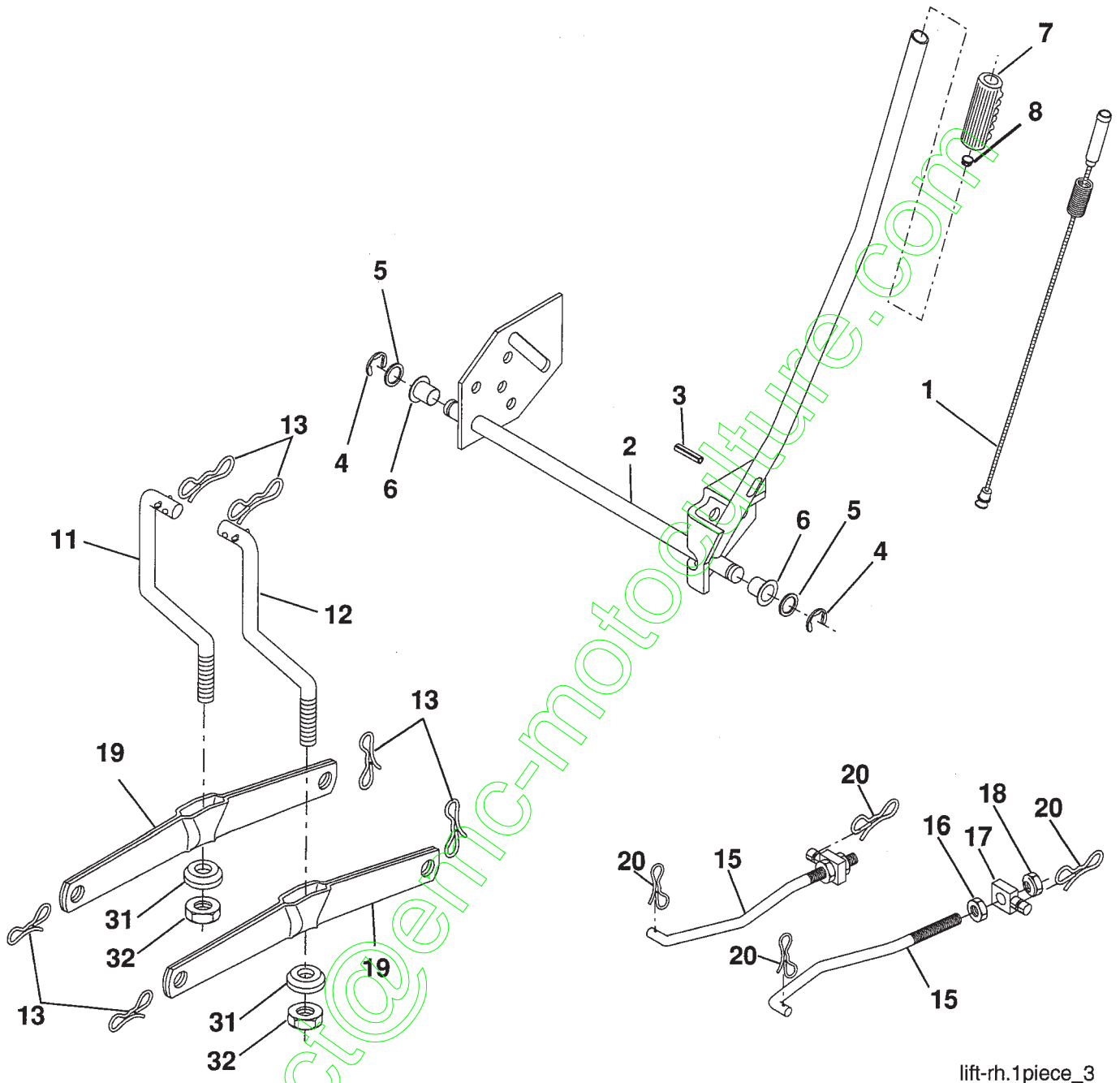
KEY NO.	PART NO.	DESCRIPTION
37	137040	Line Fuel 20"
38	181654	Plug Oil Drain Easy
40	124028X	Bushing Snap
44	17670412	Screw Hexwsh Thdrol 1/4-20 x 3/4
45	17000612	Screw Hexwsh Thdr 3/8-16 x 3/4
46	19091416	Washer 9/32 x 7/8 x 16 Ga.
62	10010500	Washer Split
72	71070512	Screw Hex Hd Cap 5/16-18 x 3/4
78	17060620	Screw 3/8-16 x 1-1/4
81	STD541425	Nut Keps 1/4-20 unc

NOTE: All component dimensions given in U.S. inches
1 inch = 25.4 mm

REPAIR PARTS

TRACTOR- -MODEL NO. 917.277470

MOWER LIFT



lift-rh.1piece_3

KEY NO.	PART NO.	DESCRIPTION
1	159460	Washer Asm Inner Spring W/Plunger
2	159471	Shaft Asm. Lift
3	105767X	Pin Groove
4	12000002	E Ring #5133-62
5	19211621	Washer 21/32 x 1 x 21 Ga.
6	120183X	Bearing Nylong
7	125631X	Grip Handle
8	124526X	Button Plunger Black
11	165829	Link Asm Lift L.H.
12	165831	Link Asm Lift R.H.
13	194209	Pin Cotter Bow Tie Lock

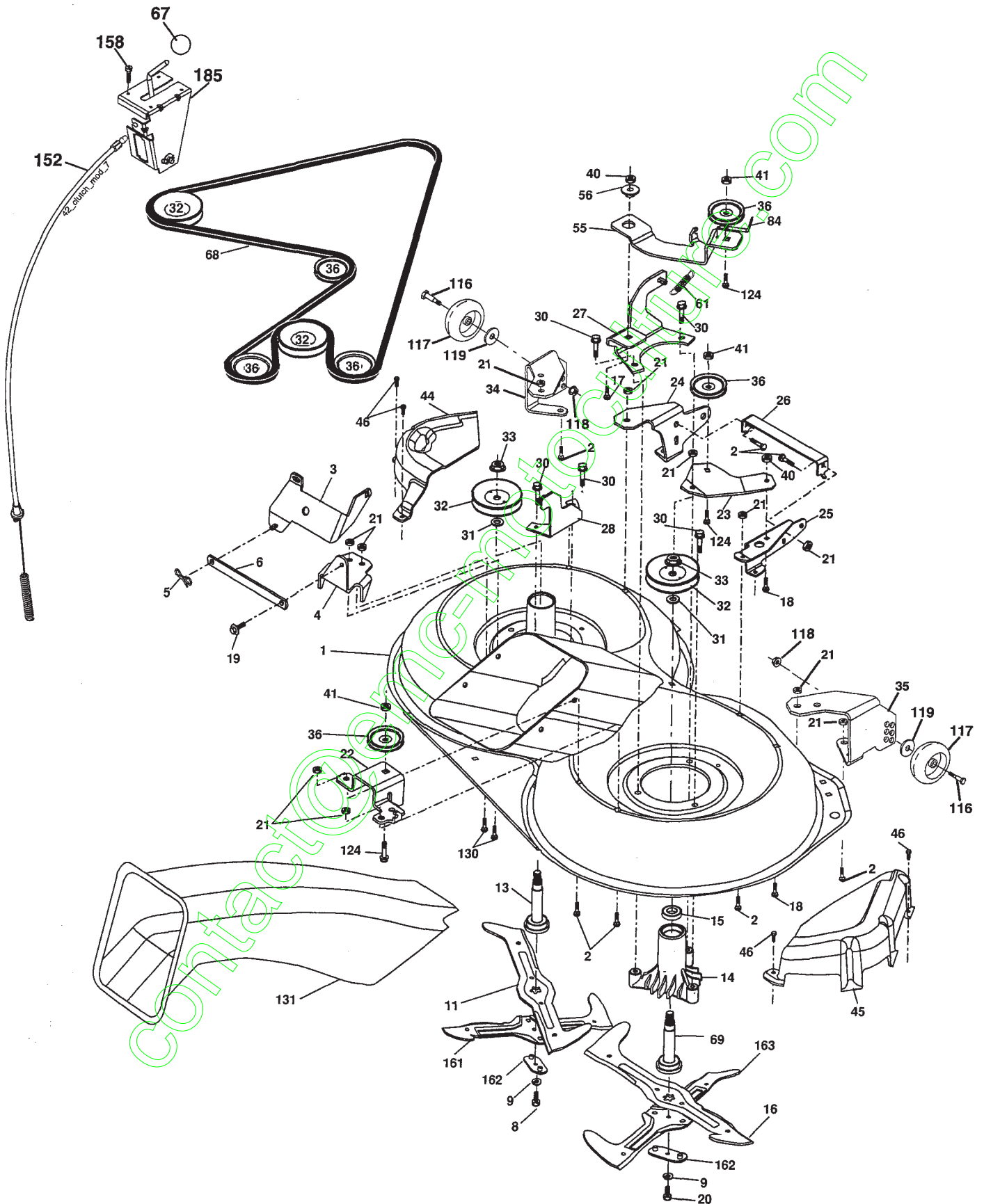
KEY NO.	PART NO.	DESCRIPTION
15	173288	Link Front
16	73350800	Nut Jam Hex 1/2-13 unc
17	175689	Trunnion Blk Zinc
18	73800800	Nut Lock w/wsh 1/2-13 unc
19	139868	Arm Suspension Mower
20	194208	Pin Cotter Bow Tie Lock
31	169865	Bearing, Pvt. Lift.
32	73540600	Nut Crownlock 3/8-24

NOTE: All component dimensions given in U.S. inches
1 inch = 25.4 mm

REPAIR PARTS

TRACTOR- -MODEL NO. 917.277470

MOWER



REPAIR PARTS

TRACTOR- -MODEL NO. 917.277470

MOWER

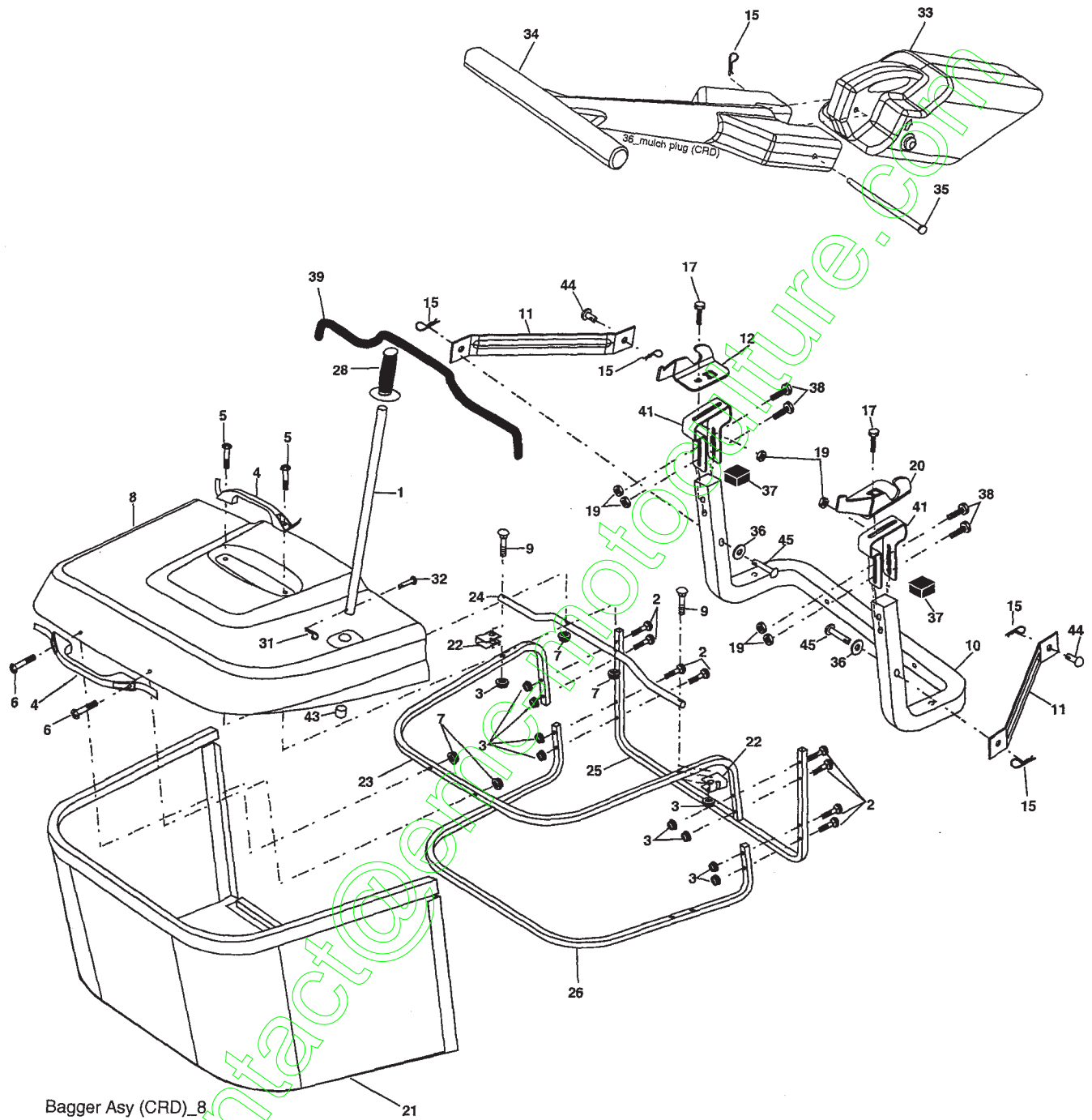
KEY NO.	PART NO.	DESCRIPTION	KEY NO.	PART NO.	DESCRIPTION
1	165552	Housing Asm. Mower 92 CRD	44	175538	Cover Mandrel Lh 92 CRD
2	STD533107	Bolt Rdhd Sqnk 5/16-18 unc x 3/4	45	175539	Cover Mandrel Rh 92 CRD
3	165569	Bracket Asm. S-Bar Chass 92 CRD	46	137729	Screw Thd Roll 1/4-20 x 5/8
4	165558	Bracket Bar Sway Deck 92 CRD	55	165445	Arm Idler 92 CRD
5	194209	Pin Cotter Bow Tie Lock	56	165723	Spacer Retainer Mower
6	165557	Bar Sway 92 CRD	61	165945	Spring Tension Belt
8	181712	Bolt 3/8-24 x 1.25 Gr. 8 Patched	67	106932X	Knob Rd 3/8-16 Plstdc Thds Blk
9	STD551137	Washer Lock Hvy 3/8 Unplated	68	180217	Hex-Belt 92 Mower
11	186385	Blade 92 CRD	69	165482	Shaft Asm W/Lwr Brg Rh Thd CRD
13	137645	Shaft Asm. W/Lower Bearing	84	156085	Keeper Belt Idler
14	128774	Housing Mandrel Vented (Machd)	116	184219	Bolt Shoulder
15	110485X	Bearing Ball Mandrel	117	174873	Wheel Gage
16	186386	Blade 3-1 Rh 92 CRD	118	73930600	Nut Centerlock 3/8-16 unc
17	STD533712	Bolt Carriage 3/8-16 x 1-1/4	119	STD551037	Washer 3/8 x 7/8 x 14 Ga.
18	STD533707	Bolt Rdhd Sqnk 3/8-16 x 3/4	124	72110612	Bolt Carr Sh 3/8-16 x 1-1/2 Gr. 5
19	132827	Bolt Shoulder 5/16-18 Thd Form	130	STD533107	Bolt Rdhdsqnk 5/16-18 unc x 3/4
20	181713	Bolt 3/8-24 x 1.25 Gr. 8 Ptch Lhthd	131	165661	Chute Bagger CRD 92 cm
21	STD541431	Nut Crown Lock 5/16-18	152	176074	Cable Clutch CRD Service
22	165243	Bracket Idler Sprt RR 92 CRD	158	17720408	Screw Thd Cut 1/4-20 x 1/2
23	165446	Bracket Idler Sprt RF 92 CRD	161	186387	Blade Cross LH
24	165242	Bracket Suspension LF 92 CRD	162	180878	Adapter Blade Cross
25	165244	Bracket Suspension RF 92 CRD	163	186388	Blade Cross RH
26	165237	Brace Support Susp Frt CRD	185	188234	Head Asm Cable Clutch
27	165568	Bracket Asm. Susp RR 92 CRD	--	181857	Mandrel Asm Service (Includes Housing, Shaft and Shaft Hardware Only - Pulley Not Included)
28	165567	Bracket Asm. Susp LR 92 CRD	--	181858	Mandrel Asm CRD Lh Threads SVC
30	173984	Screw Thd Rolling Washer Head	--	188523	Replacement Mower Complete (Order separately gauge wheel components key nos. 116-119)
31	187690	Washer Spacer			
32	153531	Mandrel Pulleys 36 & 46			
33	178342	Nut Flg Top Lock Cntr B 9/16			
34	165239	Bracket Gauge Wheel Lf 92 CRD			
35	165238	Bracket Gauge Wheel Rf 92 CRD			
36	146763	Pulley idler V-Groove Dim 4.25			
40	STD541437	Nut Crownlock 3/8-16 unc			
41	73900600	Nutlock Flg 3/8-16 unc			

NOTE: All component dimensions given in U.S. inches
1 inch = 25.4 mm

REPAIR PARTS

TRACTOR- -MODEL NO. 917.277470

BAGGER



Bagger Asy (CRD)_8

REPAIR PARTS

TRACTOR- -MODEL NO. 917.277470

BAGGER

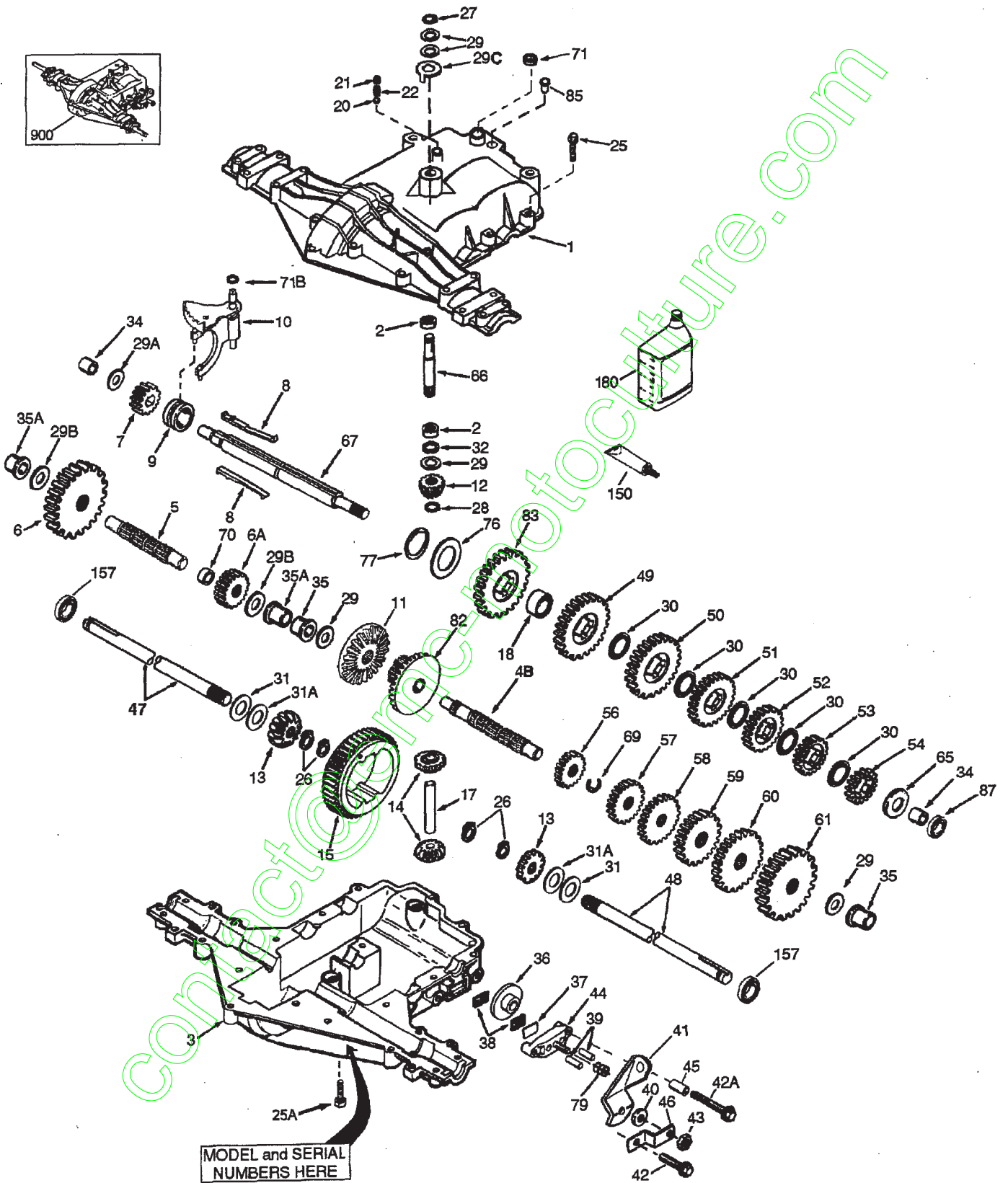
KEY NO.	PART NO.	DESCRIPTION
1	165249	Tube Handle Bagger CRD
2	72140416	Bolt Carriage 1/4-20 x 2.0 Gr. 5
3	123976X	Nut Lock 1/4 Lge Flg Gr. 5 Zinc
4	169916	Handle Bagger
5	74981024	Screw Pan Head #10-24 x 1.50 Blk.
6	74981032	Screw Pan Hd
7	73401000	Nut Wiz Lock Hex Serr/Hd 10-24
8	169963X613	Cover Bagger Steel CRD
9	72140418	Bolt Carriage 1/4-20 x 2.25d x Gr. 5
10	181282	Tube Support Bagger CRD
11	165719	Bracket Support Upper Bag CRD
12	188848	Bracket Pivot Bagger Lh CRD
15	4939M	Retainer Spring
17	STD533107	Bolt Rdhd Sht Sqnk 5/16 -18 unc x 3/4
19	73900500	Nut Lock Hex Flange 5/16-18
20	188847	Bracket Bagger RH CRD
21	180880	Bag Asm CRD
22	165781	Bracket Side Bagger CRD
23	165782	Tube Upper Bagger CRD
24	165783	Tube Pivot Bagger CRD
25	180124	Tube Front Bagger CRD
26	165785	Tube Lower Bagger CRD
28	165787	Grip Handle Black
31	169484	Retainer Clip
32	126875X	Rivet Rd Hd Drilled 3/8 Dia
33	165571	Plug Mulcher
34	165570	Handle Mulcher
35	165572	Pin Mulcher
36	19132012	Washer 13/32 x 1-1/4 x 12 Ga.
37	175401	Plug Support Bagger CRD
38	72010520	Bolt 5/16-18 x 5.20
39	180985	Seal 37"
41	169683	Bracket Vert Adj Bagger CRD
43	174083	Plug Tubing End
44	193312	Pin Clevis 3/8 x 11/16
45	193313	Pin Clevis 3/8 x 2.00

NOTE: All component dimensions given in U.S. inches
1 inch = 25.4 mm

REPAIR PARTS

TRACTOR- -MODEL NO. 917.277470

PEERLESS PMST TRANSAXLE - MODEL NUMBER 206-546



REPAIR PARTS

TRACTOR- -MODEL NO. 917.277470

PEERLESS PMST TRANSAXLE - MODEL NUMBER 206-546

KEY NO.	PART NO.	DESCRIPTION	KEY NO.	PART NO.	DESCRIPTION
1	772147	Transaxle Cover	42	792073A	Screw 1/4-20 x 1-1/4"
2	780086A	Needle Bearing 5/8"	42A	792085A	Screw 1/4-20 x 2-1/4"
3	770128	Transaxle Case	43	792075	Locknut 5/16-24
4B	776406	Countershaft	44	790025	Brake Pad Holder
5	776409	Output Shaft	45	786066	Spacer .2625 x 1.0
6	778364	Spur Gear (38 teeth)	46	786086	Brake Lever Bracket
6A	778369	Spur Gear (15 teeth-steel)	47	774690	Axle (11-15/16" long)
7	778330	Spur Gear (11 teeth)	48	774691	Axle (16-1/2" long)
8	792180	Shift Key	49	778336	Spur Gear (30 teeth)
9	784352	Shift Collar	50	778338	Spur Gear (27 teeth)
10	784378	Shift Rod & Fork	51	778340	Spur Gear (24 teeth)
11	778334	Bevel Gear (30 teeth)	52	778342	Spur Gear (22 teeth)
12	778309	Input Bevel Pinion (13 teeth)	53	778352	Spur Gear (19 teeth)
13	778368	Bevel Gear (13 teeth) (Incl. 14)	54	778350	Spur Gear (16 teeth)
14	778368	Bevel Pinion (13 teeth) (Incl.13)	56	778335	Spur Gear (10 teeth-steel)
15	778370	Ring Gear (43 teeth)	57	778337	Spur Gear (13 teeth)
17	786188	Drive Pin	58	778339	Spur Gear (16 teeth)
18	786102	Spacer 1.130 X .695	59	778341	Spur Gear (18 teeth)
20	792077A	Ball 5/16" dia	60	778351	Spur Gear (21 teeth)
21	792078	Set Screw 3/8-16 x 3/8"	61	778349	Spur Gear (24 teeth)
22	792079	Spring .310 ODx .625 L	65	780189	Flat Washer .563 ID x .062W
25	792073A	Screw 1/4-20 x1-1/4" 17	66	776422	Input Shaft
25A	792177	Screw 1/4-20 x1-3/8" 2	67	776396	Shifter & Brake Shaft
26	792125	Retaining Ring (pkg of 2)	69	792170	Retaining Ring
27	792035	Retaining Ring	70	786187	Spacer .890
28	788040	Retaining Ring	71	788069	Square Cut Ring
29	780072	Thrust Washer .627ID x .031W	71B	788092	"O" Ring
29A	780160	Thrust Washer .563 ID x .031W	76	780090	Flat Washer 1.128 ID x .058W
29B	780051	Thrust Washer .762 ID x .031W	77	788078A	Inverted Retaining Ring
29C	780199	Anti-Rotation Washer .632	79	792144	Spring .430 OD x .5000 L
30	780108	Cup Washer 1.127ID x .032W	82	778363	Bevel & Spur Gear (30 & 13 teeth)
31	780001	Flat Washer .750ID x .056W(Use As Needed)	83	778338	Spur Gear (27 teeth)
31A	780195	Flat Washer .750ID x .062W	85	792154	Oil Fill Plug
32	788083	Oil Seal 5/8"	87	788089A	Oil Seal 9/16"
34	780194	Bushing .563	150	788093A	Liquid Gasket RTV Silicone
35	780193	Flanged Bushing 5/8" ID 2	157	788088A	Oil Seal 3/4"
35A	780197	Flanged Bushing .751 2	180	730229A	Gear Oil 80W90
36	790075	Brake Disk	900	794715	Replacement 206-546 Trans axle
37	790007	Brake Pad Plate			
38	799021	Brake Pad (pkg of 2)			
39	786026	Dowel Pin 5/16 x 3/4			
40	792076A	Flat Washer .312 ID x.059W			
41	790094	Brake Lever			

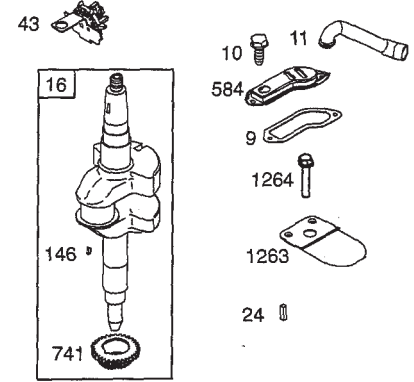
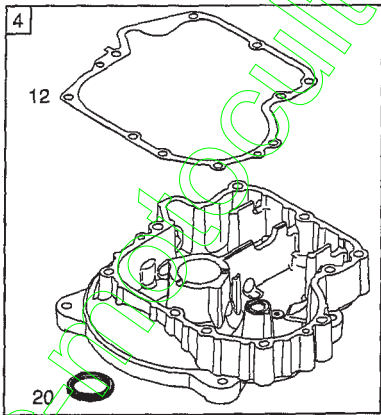
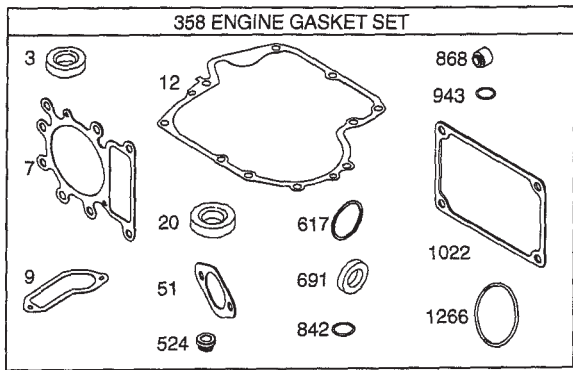
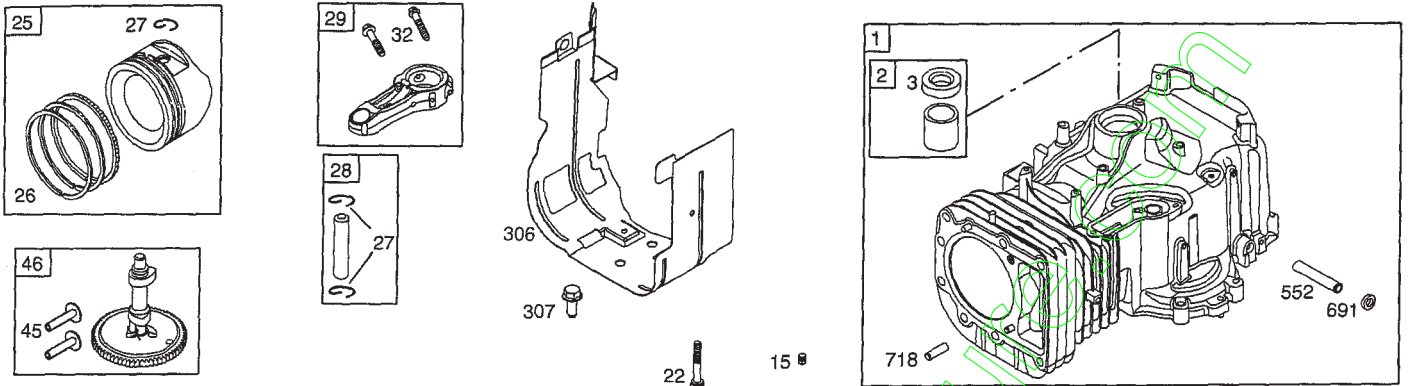
Parts must be ordered from Tecumseh Products Co.

NOTE: All component dimensions given in U.S. inches
1 inch = 25.4 mm

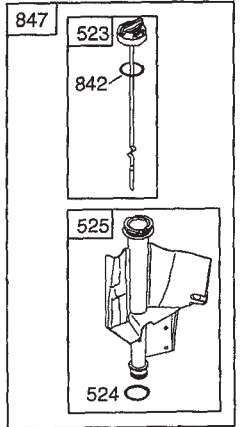
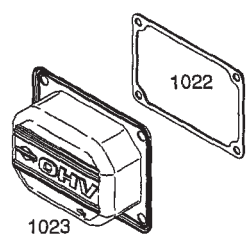
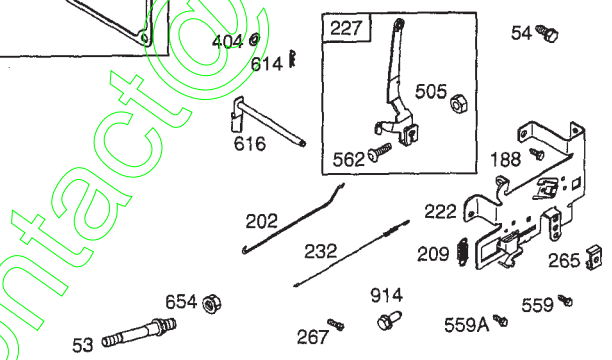
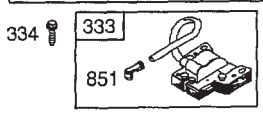
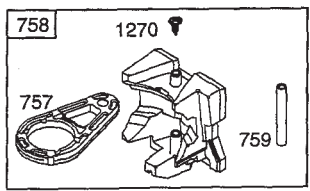
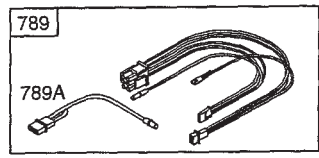
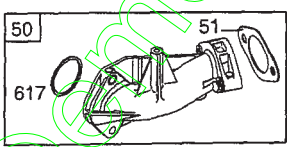
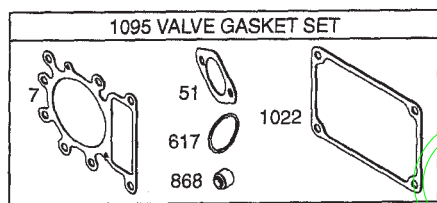
REPAIR PARTS

TRACTOR- -MODEL NO. 917.277470

BRIGGS & STRATTON ENGINE - - MODEL NUMBER 283H07, TYPE NUMBER 0400-E1



- 1019 LABEL KIT
- 1058 OWNER'S MANUAL
- 1036 EMISSION LABEL
- 1329 REPLACEMENT ENGINE
- 1330 OPERATOR MANUAL

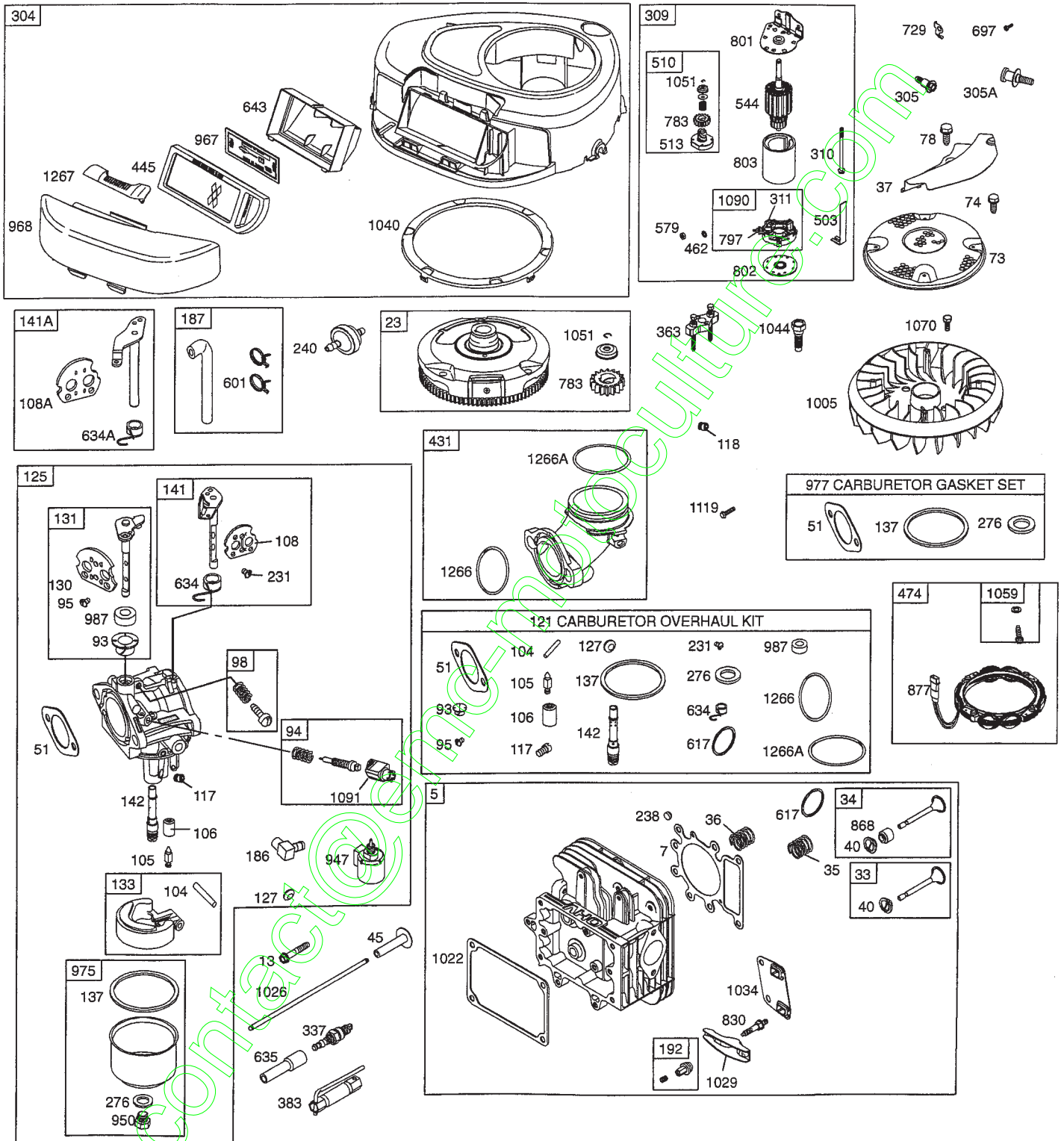


contact@briggsstratton.com

REPAIR PARTS

TRACTOR- -MODEL NO. 917.277470

BRIGGS & STRATTON ENGINE - - MODEL NUMBER 283H07, TYPE NUMBER 0400-E1



REPAIR PARTS

TRACTOR- -MODEL NO. 917.277470

BRIGGS & STRATTON ENGINE - - MODEL NUMBER 283H07, TYPE NUMBER 0400-E1

KEY NO.	PART NO.	DESCRIPTION	KEY NO.	PART NO.	DESCRIPTION
1	697132	Cylinder Assembly	105	231855 Ø	Valve-Float Needle
2	399265	Kit-Bushing/Seal (Magneto Side)	106	690577 Ø	Seat-Inlet
3	391086 •	Seal-Oil (Magneto Side)	108	690464	Valve-Choke (Manual Choke)
4	697106	Sump-Engine	108A	692344	Valve-Choke (Choke A Matic)
5	698147	Head-Cylinder	117	694352 Ø	Jet-Main (Standard)
7	273280 •+	Gasket-Cylinder Head	118	697492	Jet-Main (High Altitude)
9	697109 •	Gasket-Breather	121	697241	Kit-Carburetor Overhaul
10	697157	Screw (Breather Assembly)	125	698445	Carburetor
11	697113	Tube-Breather	127	695005	Plug-Welch
12	697110 •	Gasket-Crankcase	130	691750	Valve-Throttle
13	690360	Screw (Cylinder Head)	131	494379	Kit-Throttle Shaft
15	690946	Plug-Oil Drain	133	494381	Float-Carburetor
16	697127	Crankshaft	137	281165 Ø‡	Gasket-Float Bowl
20	690947 •	Seal-Oil (PTO Side)	141	495097	Kit-Choke Shaft (Manual Choke)
22	692125	Screw (Crankcase Cover/Sump)	141A	495931	Kit-Choke Shaft (Choke A Matic)
23	693557	Flywheel	142	697140 Ø	Nozzle-Carburetor
24	222698	Key-Flywheel	146	691639	Key-Timing
25	698371	Piston Assembly (Standard)	186	698174	Connector-Hose
--	698394	Piston Assembly (.020" Oversize)	187	699331	Line-Fuel (Molded) (Cut to Required Length)
26	698375	Ring Set (Standard)	188	691693	Screw (Control Bracket)
--	698397	Ring Set (.020" Oversize)	192	691986	Adjuster-Rocker Arm
27	698469	Lock-Piston Pin	202	691841	Link-Mechanical Governor
28	697099	Pin-Piston	209	692208	Spring-Governor
29	697126	Rod-Connecting (Standard)	222	694042	Bracket-Control
32	692852	Screw (Connecting Rod)	227	691374	Lever-Governor Control
33	695760	Valve-Exhaust	231	691636	Screw (Choke Valve)
34	695761	Valve-Intake	232	691842	Spring-Governor
35	691279	Spring-Valve (Intake)	238	691843	Cap-Valve
36	691279	Spring-Valve (Exhaust)	240	394358	Filter-Fuel
37	697352	Guard-Flywheel	265	691024	Clamp-Casing
42	499586	Keeper-Valve	267	695134	Screw (Casing Clamp)
43	691968	Slinger-Governor/Oil	276	692255 Ø‡	Washer-Sealing
45	690564	Tappet-Valve	304	698402	Housing-Blower
46	790400	Camshaft	305	697102	Screw (Blower Housing)
48	697761	Short Block	305A	697103	Screw (Blower Housing)
50	690193	Manifold-Intake	306	697107	Shield-Cylinder
51	692137 •Ø‡+	Gasket-Intake	307	691003	Screw (Cylinder Shield)
53	690227	Stud (Carburetor)	309	693551	Motor-Starter
54	691148	Screw (Intake Manifold)	309A	-----	Motor-Starter (For Replacement Starter Motor, See Reference 309)
73	697133	Screen-Rotating	310	690323	Bolt (Starter Motor)
74	697987	Screw (Rotating Screen)	311	497608	Brush Set
78	691003	Screw (Flywheel Guard)	311A	395538	Brush Set
93	690602 Ø	Bushing-Throttle Shaft			
94	498030	Kit-Idle Mixture			
95	691636	Screw (Throttle Valve)			
98	495800	Kit-Idle Speed			
104	690525 Ø	Pin-Float Hinge			

- Included in Engine Gasket Set, Key. No. 358
- Ø Included in Carburetor Overhaul Kit, Key. No. 121
- ‡ Included in Carburetor Gasket Set, Key. No. 977
- + Included in Valve Gasket Set, Key. No. 1095

NOTE: All component dimensions given in U.S. inches 1 inch = 25.4 mm

REPAIR PARTS

TRACTOR- -MODEL NO. 917.277470

BRIGGS & STRATTON ENGINE - - MODEL NUMBER 283H07, TYPE NUMBER 0400-E1

KEY NO.	PART NO.	DESCRIPTION	KEY NO.	PART NO.	DESCRIPTION
333	492341	Armature-Magneto	830	691095	Stud (Rocker Arm)
334	691061	Screw (Magneto Armature)	842	691031 •	Seal-O Ring (Dipstick Tube)
337	691043	Plug-Spark	847	697611	Dipstick/Tube Assembly
358	697151	Gasket Set-Engine	851	692424	Terminal-Spark Plug
363	19203	Flywheel Puller	868	690968 •+	Seal-Valve
383	89838	Wrench-Spark Plug	877	393456	Wire-Connector/Alternator
404	691691	Washer (Governor Crank)	914	690960	Screw (Rocker Cover)
431	697122	Elbow-Intake	947	694393	Solenoid-Fuel
445	698083	Filter-Air Cleaner Cartridge	950	691657	Screw (Float Bowl)
462	691261	Washer (Starter Cable)	967	697015	Filter-Pre Cleaner
474	696459	Alternator	968	698403	Cover-Air Cleaner
503	691532	Strap-Starter	975	495933	Bowl-Float
505	691251	Nut (Governor Control Lever)	977	690192	Gasket Set-Carburetor
510	693699	Drive-Starter	987	691326 Ø	Seal-Throttle Shaft
510A	497606	Drive-Starter	1005	699043	Fan-Flywheel
513	692024	Clutch-Drive	1019	699196	Kit-Label
523	699908	Dipstick	1022	272475 •+	Gasket-Rocker Cover
524	691032 •	Seal-Dipstick Tube	1023	692492	Cover-Rocker Arm
525	697184	Tube-Dipstick	1026	692003	Rod-Push (Intake)
544	692034	Starter-Armature	---	692011	Rod-Push (Exhaust)
552	697144	Bushing-Governor Crank	1029	691751	Arm-Rocker
559	697561	Screw (Remote Choke Stop)	1034	690822	Guide-Push Rod
559A	693675	Screw (Remote Choke Stop)	1036	790464	Label-Emission
562	691119	Bolt (Governor Control Lever)	1040	698368	Plate-Trim
579	691029	Nut (Starter Cable)	1044	698139	Screw (Flywheel)
584	697112	Cover-Breather Passage	1051	691265	Ring-Retaining
601	95162	Clamp-Hose	1058	275038	Owner's Manual
614	691620	Pin-Cotter	1059	698516	Kit-Screw/Washer
616	692012	Crank-Governor	1070	690372	Screw (Flywheel Fan)
617	692138 Ø •	Seal-O Ring (Intake Manifold)	1090	691293	Retainer-Brush
634	690801 Ø	Spring/Seal Assembly (Manual Choke)	1091	691333	Cap-Limiter
634A	690802 Ø	Spring/Seal Assembly (Choke A Matic)	1095	690190	Gasket Set-Valve
635	691909	Boot-Spark Plug	1119	691183	Screw (Alternator)
643	698401	Retainer-Air Filter	1263	697124	Reed-Breather
654	690958	Nut (Carburetor)	1264	697104	Screw (Breather Reed)
691	692407 •	Seal-Governor Shaft	1266	691917 •Ø	Seal-O Ring (Intake Elbow)
697	690372	Screw (Drive Cap)	1266A	697123 Ø	Seal-O Ring (Intake Elbow)
718	690959	Pin-Locating	1267	697419	Latch-Blower Housing
729	691224	Clip-Wire	1270	697156	Plug-AVS Counterweight
741	697128	Gear-Timing	1329	31C707-0230	Replacement Engine (Transfer the speed limiter control assembly and governor spring to the replacement engine)
757	697607	Link-Counterweight	1330	275038	Owner's Manual
758	697134	Counterweight			
759	697392	Pin-Counterweight			
783	693713	Gear-Pinion			
789	698329	Harness-Wiring	•		Included in Engine Gasket Set, Key. No. 358
789A	790544	Harness-Wiring	Ø		Included in Carburetor Overhaul Kit, Key. No. 121
797	693167	Nut (Brush Retainer)	‡		Included in Carburetor Gasket Set, Key. No. 977
801	691283	Cap-Drive	+		Included in Valve Gasket Set, Key. No. 1095
802	691286	Cap-End			
803	693757	Housing-Starter			

NOTE: All component dimensions given in U.S. inches 1 inch = 25.4 mm