



**REPAIR PARTS MANUAL**  
**MODEL NO. 288190**  
**Lawn Tractor**

---

**CRAFTSMAN®**

442605

number.

ector can be found on the fender under the seat.  
ive the following information:

190"

# NTENTS

..... 3

..... 4-5

..... 6-7

..... 8-9

..... 10-11

..... 12-13

..... 14-15

..... 16-17

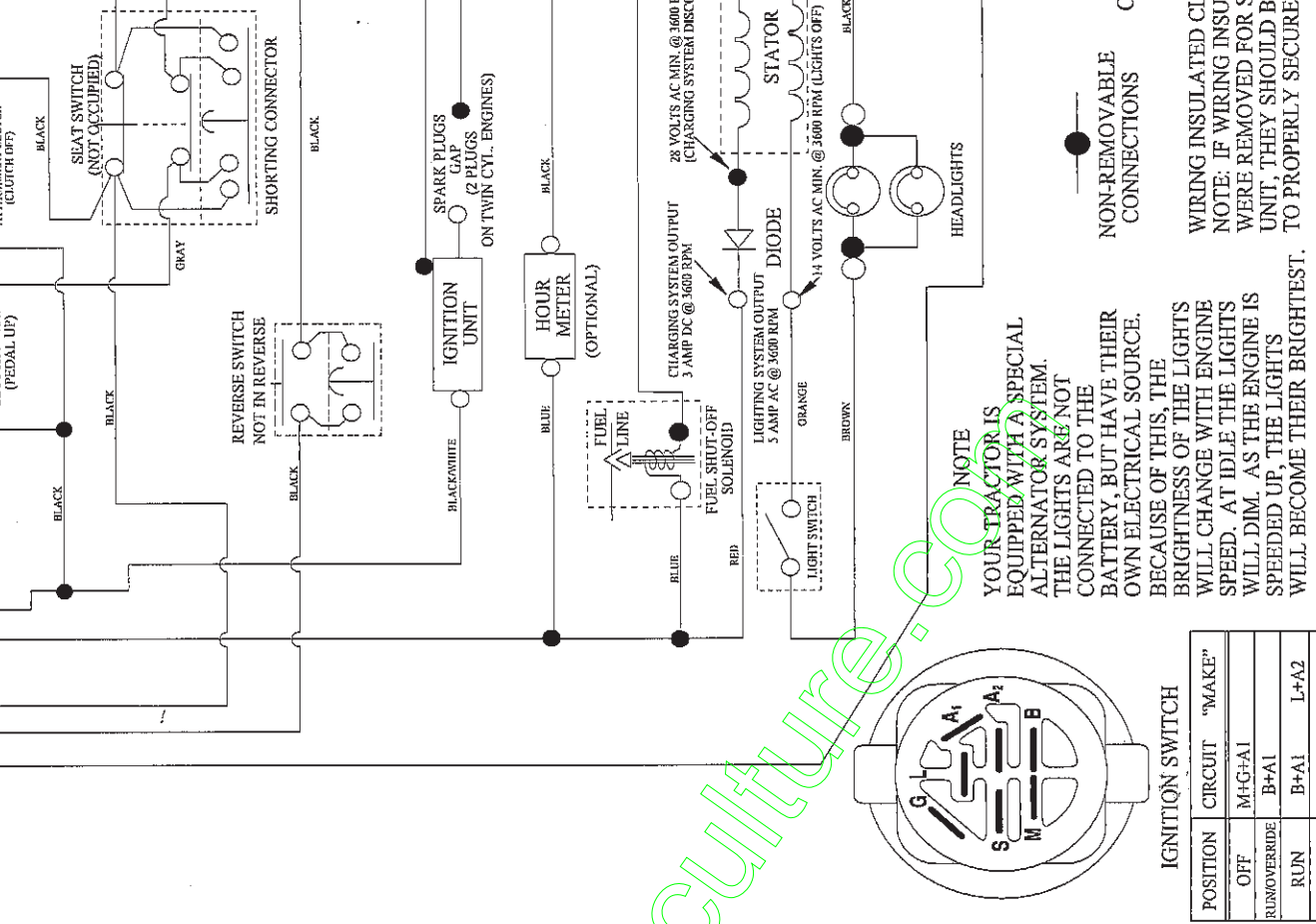
..... 18

..... 19

..... 20-21

..... 22-27

..... BACK COVER

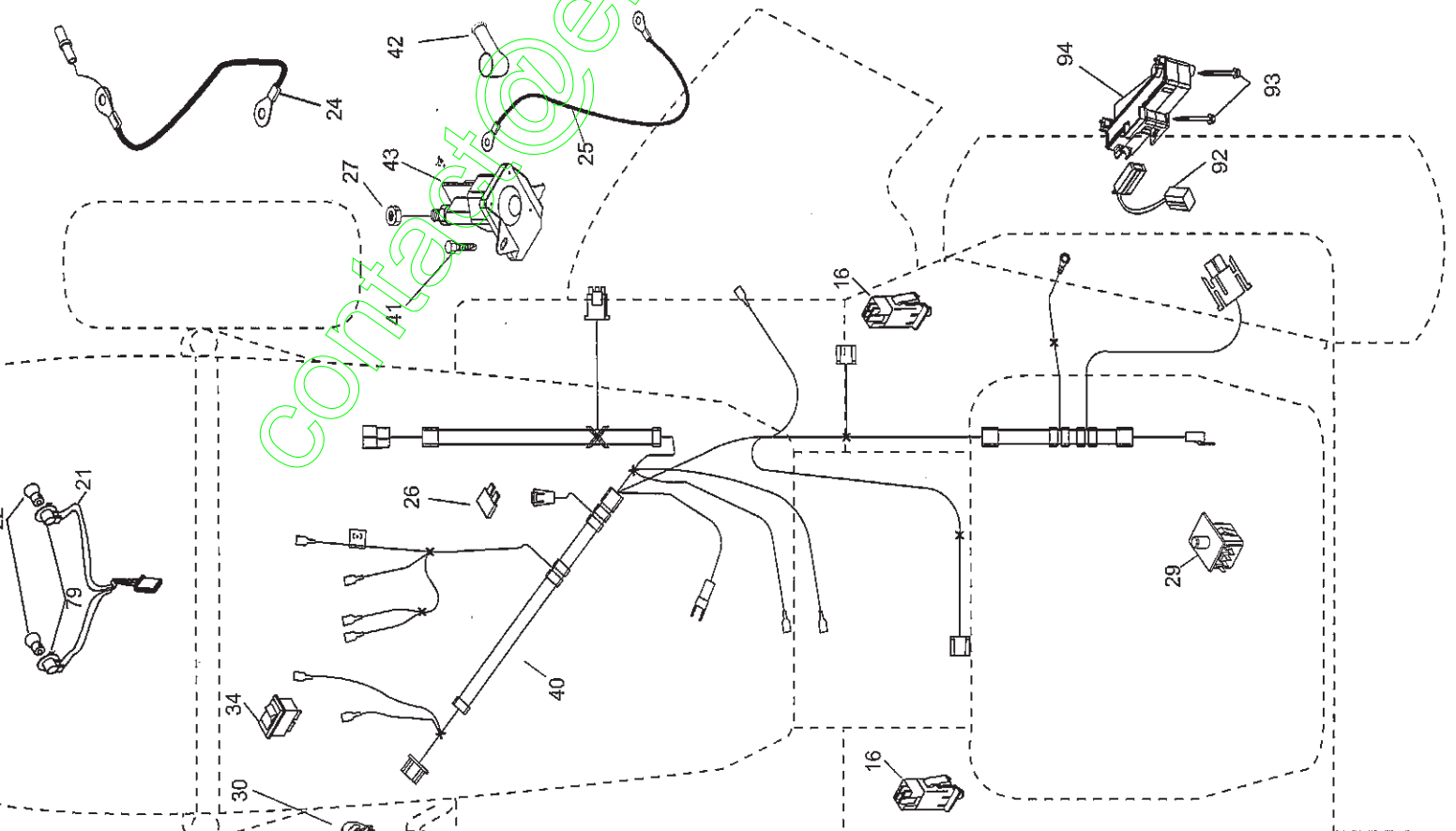


NON-REMOVABLE CONNECTIONS  
WIRING INSULATED C...  
NOTE: IF WIRING INSU...  
WERE REMOVED FOR S...  
UNIT, THEY SHOULD B...  
TO PROPERLY SECURE...

contact@emc-motoculture.com

KEY NO.	PART NO.	DESCRIPTION
1	163465	Battery
2	74760412	Bolt Hex Hd 1/4-20 unc x 3/4
8	176689	Box Battery Fender
16	176138	Switch, Interlock
21	175688	Harness Asm Light w/4152j
22	4152J	Bulb Light #1156
24	421297	Cable Battery 6 Ga. w/16 Wire Re
25	421299	Cable Battery 6 Ga. 11" Red
26	175158	Fuse 20 AMP
27	73510400	Nut, Keps Hex 1/4-20 unc
28	421298	Cable Ground 6 Ga. 12" Black
29	192749	Switch Seat
30	193350	Switch Ign
33	411934	Key/Chain
34	110712X	Switch Light
40	197428	Harness Ign
41	71110408	Bolt Blk. Fin Hex 1/4-20 unc x 1/2
42	131563	Cover Terminal Red
43	192507	Solenoid
79	175242	Socket Asm Bulb Twistlock
90	435395	Cover Battery Terminal
92	196615	Harness Pigtail
93	192540	Screw Plastic 10-14 x 2.0
94	191834	Module Reverse ROS

**NOTE:** All component dimensions give in U.S. inches  
1 inch = 25.4 mm

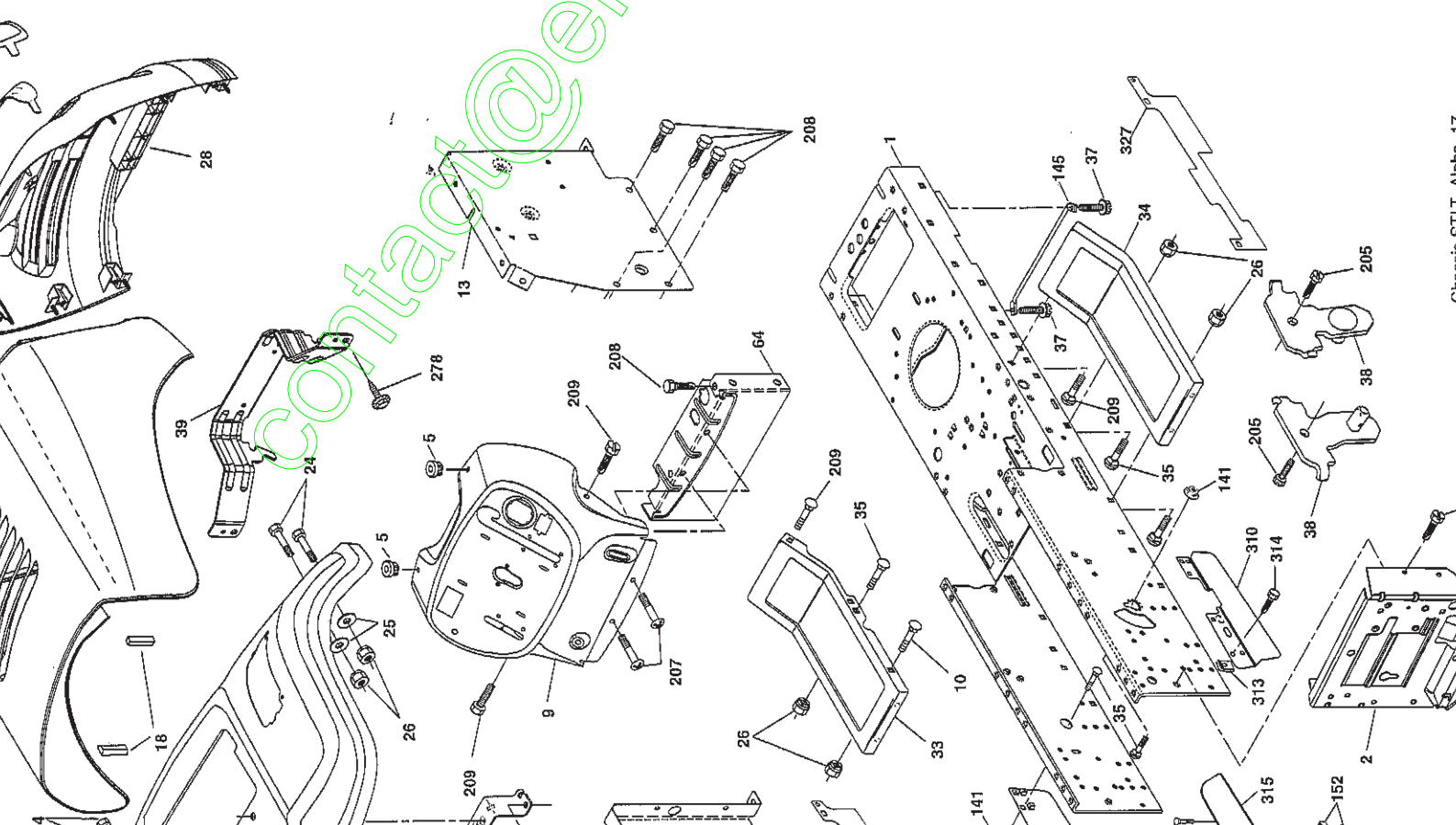


[contact@enc-motoculture.com](http://contact@enc-motoculture.com)

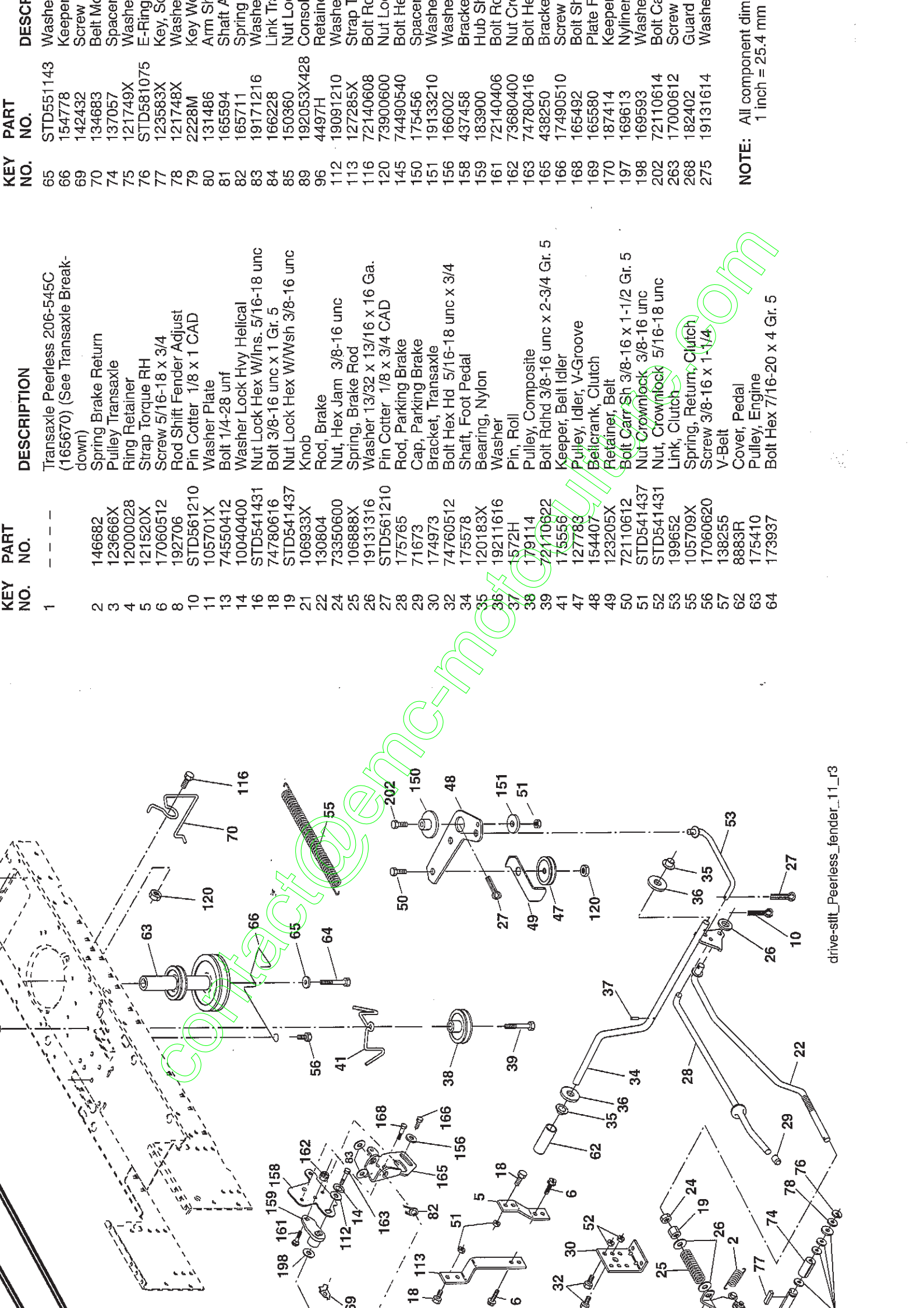
NO. PART NO. DESCRIPTION

1	174619	Chassis Stamping
2	176554	Drawbar
5	155272	Bumper Hood/Dash
9	193510X013	Dash
10	STD533710	Bolt, Carriage 3/8-16 x 1
11	174996	Panel, Dash, LH
13	172105X010	Panel, Dash, RH
17	187559X613	Hood Assembly Alpha
18	184921	Bumper Hood Large 1.75
24	STD523710	Bolt Fin Hex 3/8-16 unc x 1 Gr. 5
25	19131312	Washer 13/32 x 13/16 x 12 Ga.
26	73800600	Nut Lock Hex w/INS 3/8-16 unc
28	187565X428	Grille
29	187567X599	Lens, Alpha
30	192528X613	Fender
31	136619	Bracket, Fender Support
33	179716X613	Footrest LH
34	179717X613	Footrest RH
35	72110606	Bolt Rdhd Sht Sqnk 3/8-16 x 3/4
37	17490508	Screw Thdrol 5/16-18 x 1/2 Tyl
38	175710	Bracket Asm. Pivot Mower Rear
39	187568	Bracket Pivot Alpha
64	154798	Dash Lower
141	73900600	Nut Lock Flg 3/8-16 unc
145	409167	Rod Pivot Chassis/Hood
152	17720408	Screw THD Cut 1/4-20 x 1/2
159	169473X428	Cupholder
205	17490608	Screw Thdrol 3/8-16 x 1/2
207	17670508	Screw 5/16-18 x 1/2
208	17670608	Screw Thdrol 3/8-16 x 1/2
209	17000612	Screw Hex Wsh Thdr 3/8-16 x 3/4
212	187569	Insert Lens Reflective
278	416368	Screw #10 x 0.750 BOS THREAD
310	422766	Shield Lower RH
311	422767	Shield Lower LH
313	196688	Clip Threaded
314	137729	Screw Thd Roll 1/4-20 x 5/8
315	422866	Shield Upper RH
316	422868	Shield Upper LH
317	422860	Shield Rear
326	430227	Shield Deck LH
327	430225	Shield Deck RH
-	5479J	Plug, Button

NOTE: All component dimensions given in U.S. inches  
1 inch = 25.4 mm



contact@enc-motoculture.com



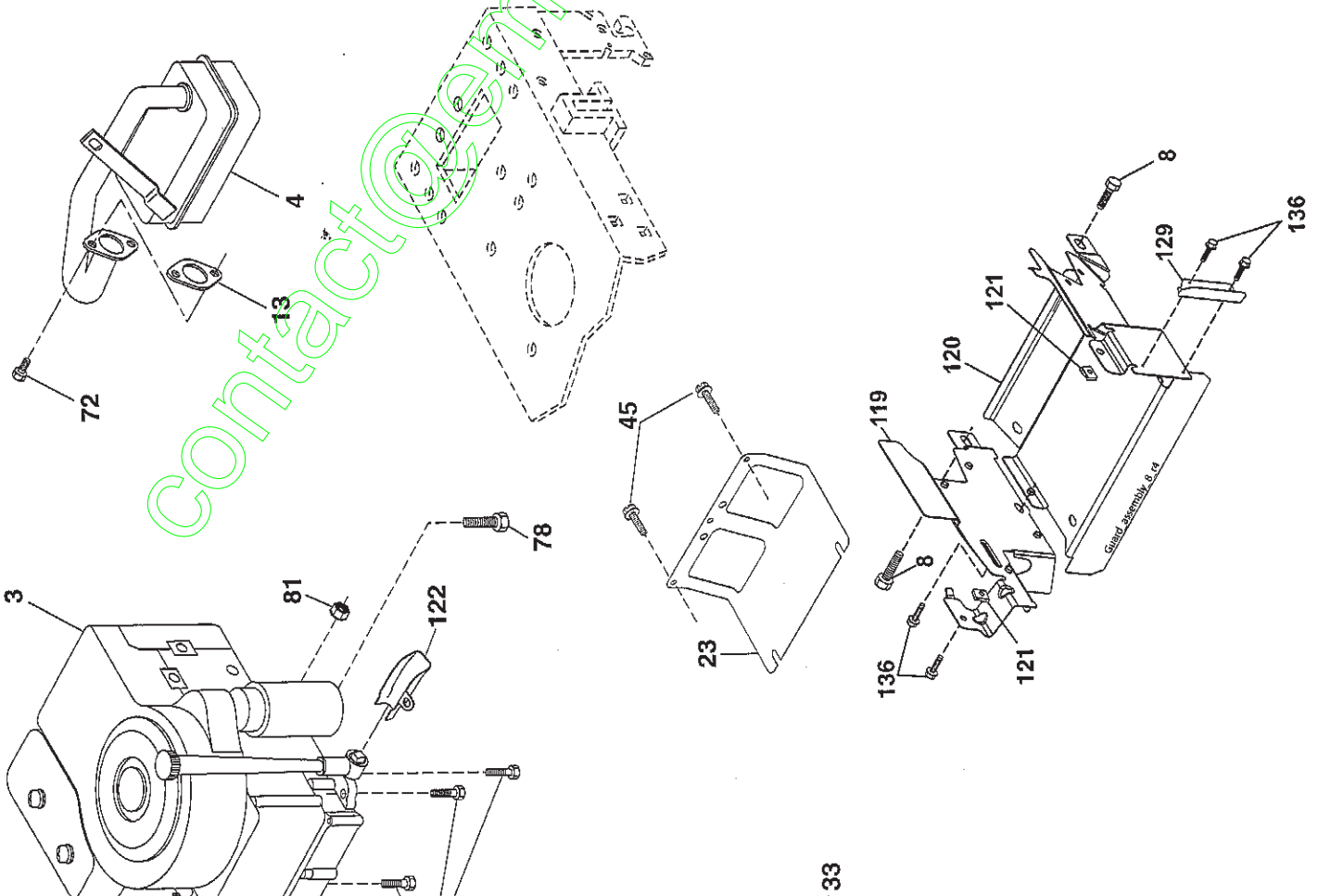
KEY NO.	PART NO.	DESCRIPTION	KEY NO.	PART NO.	DESC
1	---	Transaxle Peerless 206-545C (165670) (See Transaxle Break-down)	65	STD551143	Washer
2	146682	Spring Brake Return	66	154778	Keeper
3	123666X	Pulley Transaxle	69	142432	Screw
4	12000028	Ring Retainer	70	134683	Belt M
5	121520X	Strap Torque RH	74	137057	Spacer
6	17060512	Screw 5/16-18 x 3/4	75	121749X	Washer
8	192706	Rod Shift Fender Adjust	76	STD581075	E-Ring
10	STD561210	Pin Cotter 1/8 x 1 CAD	77	123583X	Key, S
11	105701X	Washer Plate	78	121748X	Washer
13	74550412	Bolt 1/4-28 unf	79	2228M	Key W
14	10040400	Washer Lock Hvy Helical	80	131486	Arm S
16	STD541431	Nut Lock Hex W/Ins. 5/16-18 unc	81	165594	Shaft A
18	74780616	Bolt 3/8-16 unc x 1 Gr. 5	82	165711	Spring
19	STD541437	Nut Lock Hex W/Wsh 3/8-16 unc	83	19171216	Washer
21	106933X	Knob	84	166228	Link Tr
22	130804	Rod, Brake	85	150360	Nut Lo
24	73350600	Nut, Hex Jam 3/8-16 unc	89	192053X428	Conso
25	106888X	Spring, Brake Rod	96	4497H	Retainr
26	19131316	Washer 13/32 x 13/16 x 16 Ga.	112	19091210	Washer
27	STD561210	Pin Cotter 1/8 x 3/4 CAD	113	127285X	Strap T
28	175765	Rod, Parking Brake	116	72140608	Bolt Rc
29	71673	Cap, Parking Brake	120	73900600	Nut Lo
30	174973	Bracket, Transaxle	145	74490540	Bolt He
32	74760512	Bolt Hex Hd 5/16-18 unc x 3/4	150	175456	Spacer
34	175578	Shaft, Foot Pedal	151	19133210	Washer
35	120183X	Bearing, Nylon	156	166002	Washer
36	19211616	Washer	158	437458	Bracket
37	1672H	Pin, Roll	159	183900	Hub Sh
38	179114	Pulley, Composite	161	72140406	Bolt He
39	72110622	Bolt Rdhd 3/8-16 unc x 2-3/4 Gr. 5	162	73680400	Nut Cr
41	175556	Keeper, Belt Idler	163	74780416	Bolt He
47	127783	Pulley, Idler, V-Groove	165	438250	Bracket
48	154407	Beltcrank, Clutch	166	17490510	Screw
49	123205X	Retainer, Belt	168	165492	Bolt Sh
50	72110612	Bolt Carr Sh 3/8-16 x 1-1/2 Gr. 5	169	165580	Plate F
51	STD541437	Nut Crownlock 3/8-16 unc	170	187414	Keeper
52	STD541431	Nut, Crownlock 5/16-18 unc	177	169613	Nyline
53	199652	Link, Clutch	198	169593	Washer
55	105709X	Spring, Return, Clutch	202	72110614	Bolt Ca
56	17060620	Screw 3/8-16 x 1-1/4	263	17000612	Screw
57	138255	V-Belt	268	182402	Guard
62	8883R	Cover, Pedal	275	19131614	Washer
63	175410	Pulley, Engine			
64	173937	Bolt Hex 7/16-20 x 4 Gr. 5			

**NOTE:** All component dim 1 inch = 25.4 mm

drive-sllt\_Peerless\_fender\_11\_r3

KEY NO.	PART NO.	DESCRIPTION
1	170545	Control, Throttle/Choke
2	17720408	Screw, Hex Head, Thread Cutting 1/4-20 x 1/2
3	--	Engine, Briggs Model No. 31A507-2391-B1 (438618) (See Engine Breakdown)
4	137352	Muffler
8	171877	Bolt 5/16-18 x 3/4
13	165291	Gasket
23	169837	Shield Brn/Dbr Guard
25	187770X428	Control Choke
29	137180	Arrestor, Spark
31	407516	Tank, Fuel
32	430220	Cap Fuel
33	123487X	Clamp, Hose
37	137040	Line, Fuel
40	124028X	Bushing Snap
44	17670412	Screw, Hex Washer Head, Thd., Roll. 1/4-20 x 3/4
45	17000612	Screw Hex Wsh Thdr 3/8-16 x 3/4
46	19091416	Washer 9/32 x 7/8 x 16 Ga.
72	192334	Screw Socket 5/16-18 x .75
78	17060620	Screw 3/8-16 x 1-1/4
81	73510400	Nut Keps Hex 1/4-20 unc
119	197949	Guard Asm Engine LH
120	197948	Guard Asm Engine RH
121	196688	Clip Threaded
122	421922	Extension Drain Oil
129	400328	Guard Pulley Engine Adapter
136	137729	Screw 1/4-20 x 5/8

**NOTE:** All component dimensions given in U.S. inches  
1 inch = 25.4 mm



### Engine Power Rating Information

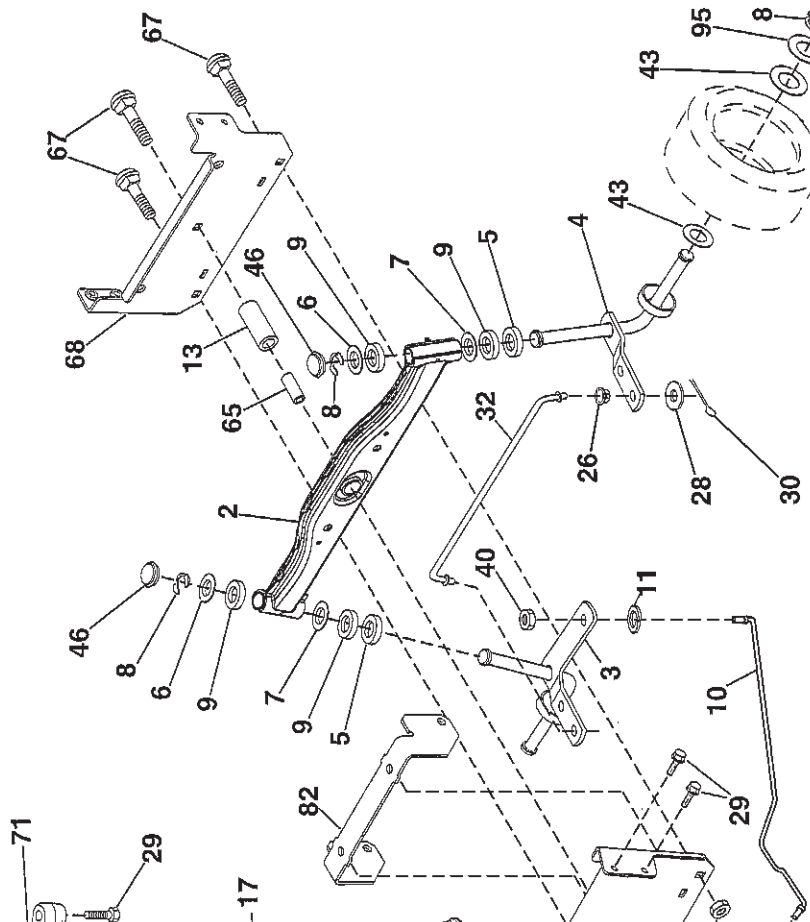
The gross power rating for individual gas engine models is labeled in accordance with SAE (engineers) code J1940 (Small Engine Power & Torque Rating Procedure), and rating performance corrected in accordance with SAE J1995 (Revision 2002-05). Torque values are derived at 3000 RPM. Actual gross engine power will be lower and is affected by, among other factors, the variety of environmental issues applicable to operating the equipment, the gas engine will power when used in a given piece of power equipment (actual "on-site" or net power). This of factors including, but not limited to, accessories (air cleaner, exhaust, humidity, altitude), and application limitations, ambient operating conditions (temperature, humidity, altitude), and Due to manufacturing and capacity limitations. Briggs & Stratton may substitute an engine

contact@emc-motoculture.com

NO.	NO.	DESCRIPTION
1	186780	Steering Wheel
2	418168	Axle Assembly
3	169840	Spindle Assembly, LH
4	169839	Spindle Assembly, RH
5	6266H	Bearing, Race, Thrust, Hardened
6	121748X	Washer 27/32 x 1-1/4 x 16 Ga.
7	19272016	Washer 25/32 x 1-1/2 x 14 Ga.
8	12000029	Ring, Klip
9	3366R	Bearing Col. Strg.
10	175121	Draglink
11	STD551137	Washer, Lock
13	136518	Spacer Brg Axle Front
15	73900600	Nut Lock Fig. 3/8-16 unc
17	190753	Shaft, Steering
26	126847X	Bushing, Link, Drag
28	19131416	Washer 13/32 x 7/8 x 16 Ga.
29	17000612	Screw 3/8-16 x 3/4
30	STD561210	Pin
32	192757	Rod, Tie
34	10040500	Washer Lock Hvy Hlcl Spr. 5/16
36	155099	Bushing, Steering
37	152927	Screw
38	186781	Insert, Steering Wheel
39	19113812	Washer 11/32 x 2-3/8 x 12 Ga.
40	73540600	Nut Crownlock 3/8-24
41	186737	Adaptor, Steering Wheel
42	145054x428	Boot, Steering Shaft
43	121749X	Washer 25/32 x 1-1/4 x 16 Ga.
44	190752	Extension Shaft Steering
46	121232X	Cap, Spindle
65	414736	Spacer Brace Axle
67	72110618	Bolt Rdhd Sqnk 3/8-16 x 2-1/4
68	169827	Axle, Brace
71	175146	Steering Asm
82	199978	Bracket Susp Chassis Front
88	175118	Bolt Shoulder 7/16-20
91	175553	Clip Steering
95	188967	Washer Hardened .793 x 1.637 x 1/4
97	428982	Bolt Fin Hex 5/16-18 x 4 w/Patch

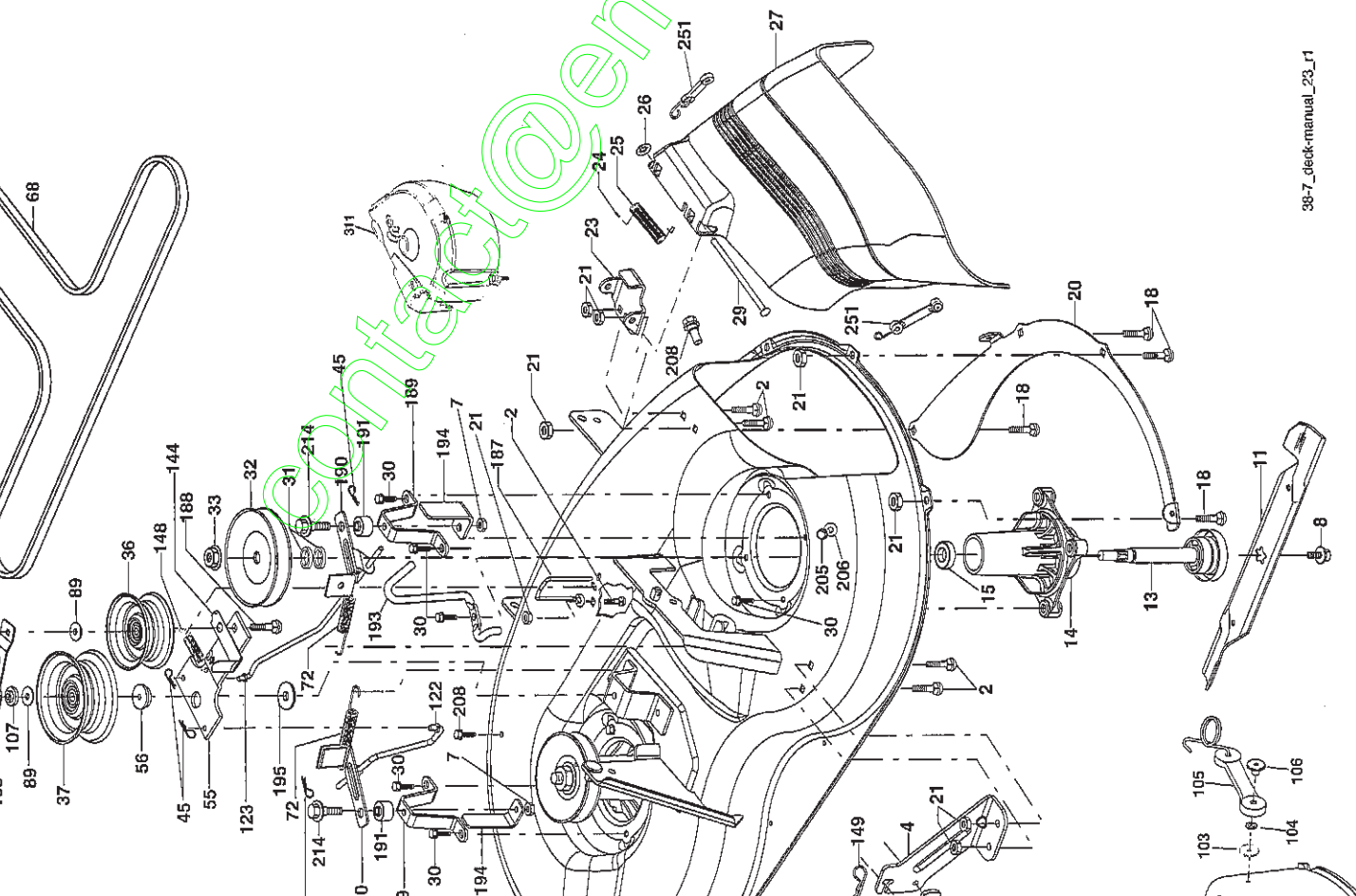
**NOTE:** All component dimensions given in U.S. inches  
1 inch = 25.4 mm

contact@emc-motoculture.com

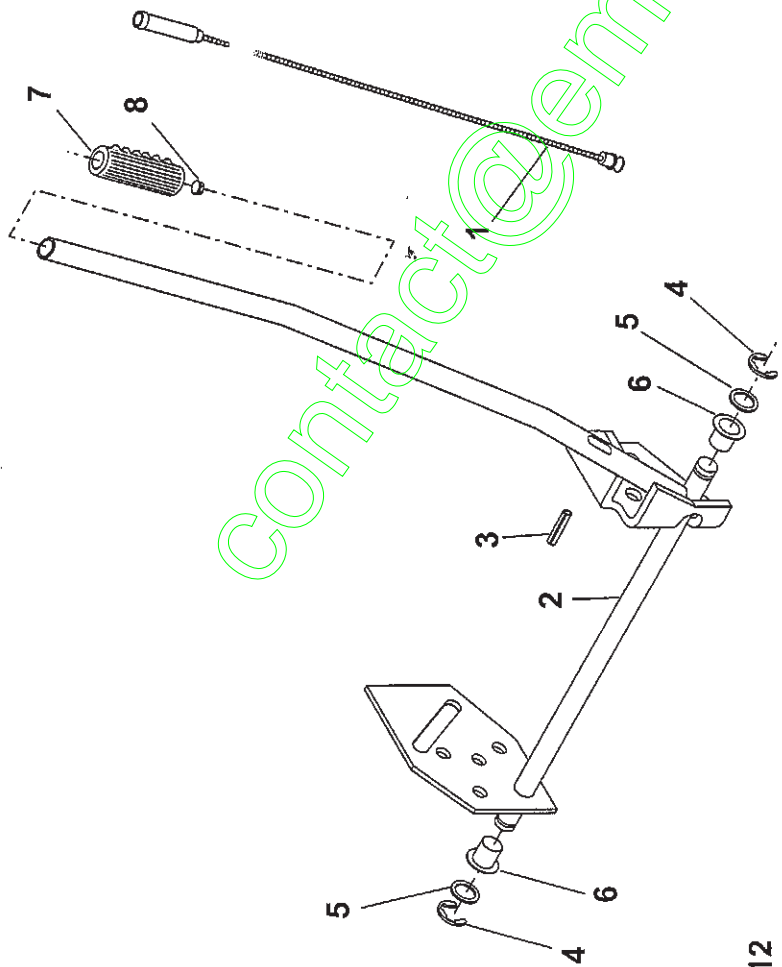


NO.	DESCRIPTION	NO.	DESCC
1	Mower Housing Assembly	108	Stiffene
2	Bolt Carriage 5/16-18 x 3/4	122	Link, Br
3	Bracket Asm Fr. Sway Bar	123	Link, Br
4	Bracket Deck Sway Bar 38"/42"	144	Keeper
5	Retainer Spring	148	Spring
6	Bar Sway Deck	149	Retaine
7	Nut Lock Hx w/INs. 5/16-18 unc	150	Washer
8	Bolt 3/8-24 x 1.25 Gr. 8	152	Clutch
11	Blade Mower	158	Screw
13	Shaft Assembly, Mandrel, Vented	185	Head A
14	Housing, Mandrel, Vented	186	Screw
15	Bearing, Ball, Mandrel		3/8-16
18	Bolt Rdhd Sqnk 5/16-18 x 5/8	187	Keeper
19	Bolt, Shoulder	188	Bolt Ca
20	Baffle Vortex Front	189	Stand,
21	Nut	190	Arm, Br
23	Bracket, Mower Deflector	191	Spacer,
24	Cap, Sleeve	193	Keeper
25	Spring, Torsion, Deflector	194	Guard
26	Nut, Push	195	Washer
27	Shield, Deflector	205	Screw
29	Rod, Hinge	206	Washer
30	Screw Thdrol.	208	Screw
31	Washer, Spacer	214	Bolt/Wa
32	Pulley, Mandrel	251	Kit Bun
33	Nut, Toplock		screw,
36	Pulley, Idler, Flat		latch, a
37	Pulley Idler Flat		cover
40	Nut, Crownlock 3/8-16 unc	310	Cover
45	Retainer	311	Cover
55	Spacer, Retainer	312	Shield
56	Knob	313	Shield
67	V-Belt	314	Assy SI
72	Spring Brake Return	--	Brake
89	Washer 13/32 x 13/16 x 11 Ga.	--	Arm an
101	Cover Mulching	--	Mandre
102	Screw/Pan-Hd Phillip 10-24 x 5/8	--	ing, sha
103	Washer #10	--	only - p
104	Washer Lock	431841	bolts/w
105	Latch Asm.		Replac
106	Nut Weld .327/304 #10-24		
107	Spacer Retainer		

**NOTE:** All component dimensions  
1 inch = 25.4 mm

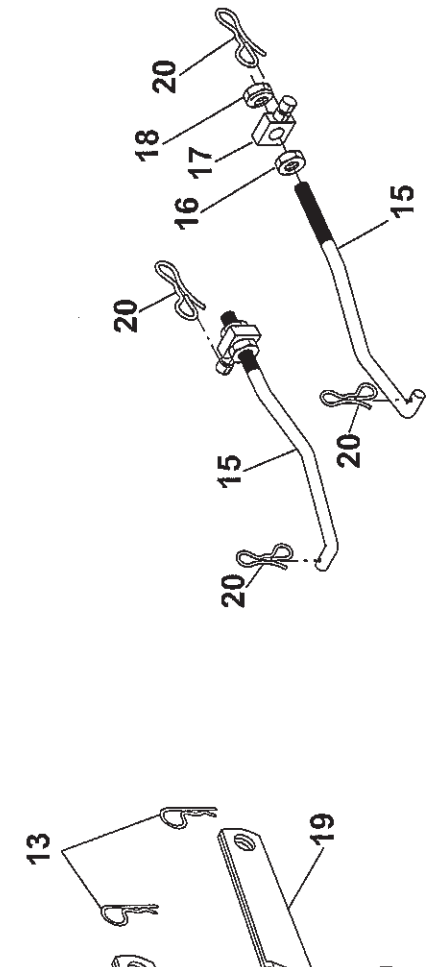






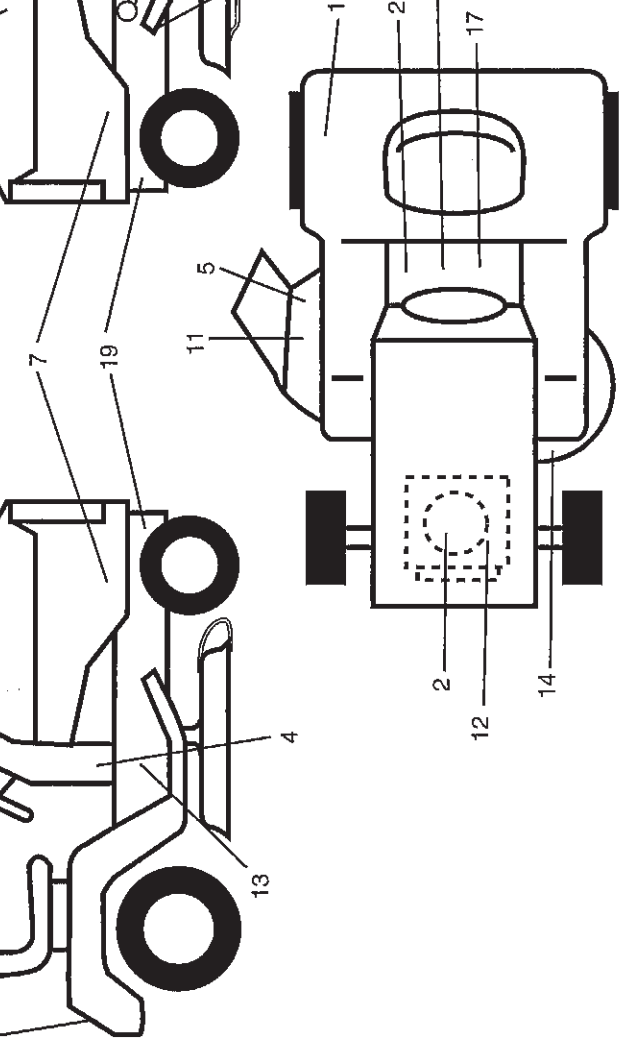
KEY NO.	PART NO.	DESCRIPTION
1	404981	Plunger Asm. Lift Lvr
2	159471	Shaft Assembly, Lift
3	105767X	Pin, Groove
4	12000002	E-Ring
5	19211621	Washer 21/32 x 1 x 21 Ga.
6	120183X	Bearing, Nylon
7	125631X	Grip, Handle, Fluted
8	122365X	Button, Plunger, Red
11	139865	Link, Lift, LH
12	139866	Link, Lift, RH
13	STD624008	Retainer Spring
15	173288	Link, Front
16	73350800	Nut, Hex, Jam 1/2-13 unc
17	175689	Trunnion
18	73800800	Locknut, Hex, w/Washer Insert 1/2
19	139868	Arm, Suspension, Rear
20	194209	Pin Cotter 7/16 Bow Tie Lock
31	169865	Bearing, Pvt, Lift
32	73540600	Nut, Crownlock 3/8-24
55	194208	Pin Cotter 5/16 Bow Tie Lock

**NOTE:** All component dimensions given in U.S. inches  
 1 inch = 25.4 mm



lift-rh.1pc.stlt\_17

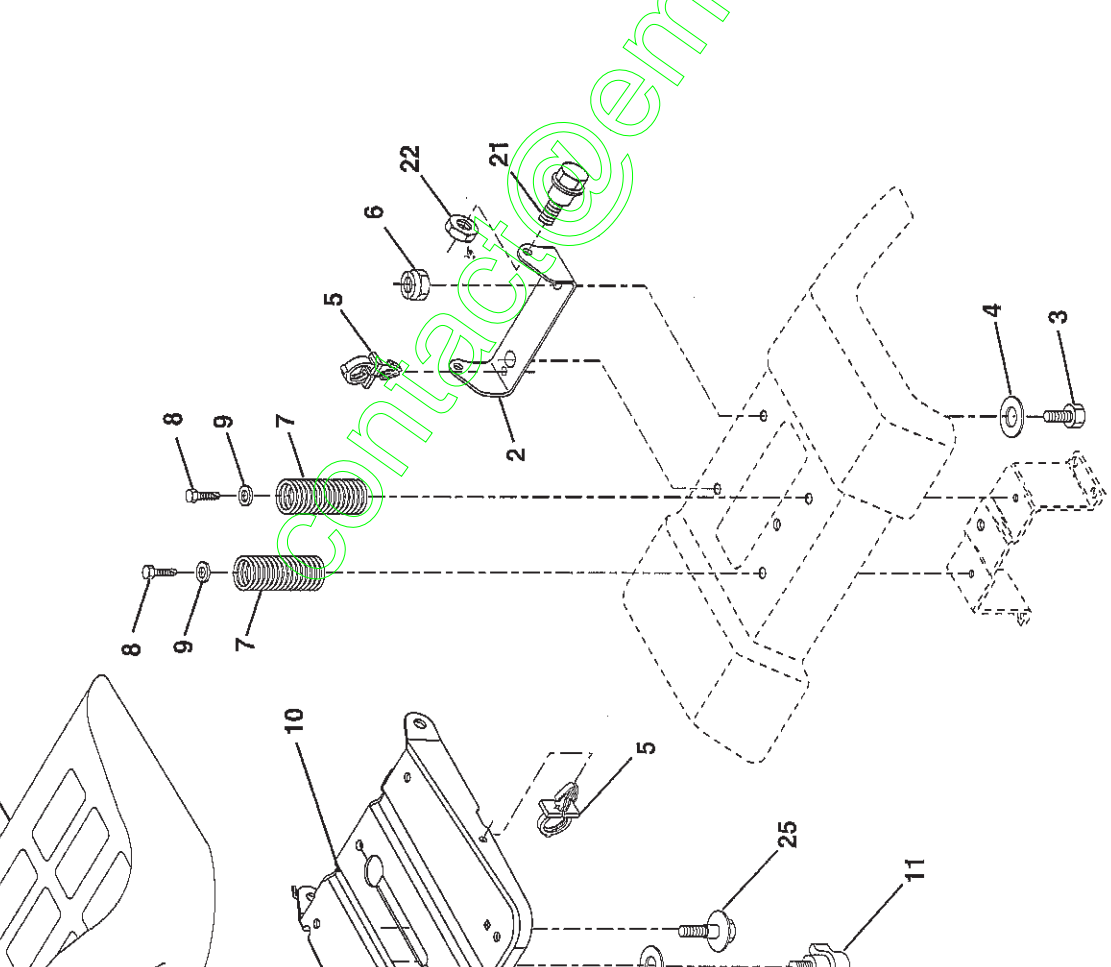
contact@enc-motoculture.com



KEY NO.	PART NO.	DESCRIPTION	DESCC
2	437412	Decal, HP Engine	Decal,
3	425123	Decal, Hood/Fender	Decal,
4	442599	Decal, Lower Dash	Decal,
5	196357	Decal, Warning	Decal,
7	404492	Decal, Hood Side Panels	Decal,
8	197490	Decal, V-Belt Schematic	Decal,
11	182166	Decal, Cutoffing CE	Decal,
12	196841	Decal, Warning, Sym.	Decal,
13	401146	Decal, Warning Service/Fire	Decal,
14	194302	Decal, V-Belt Schematic	Decal,
17	400389	Decal, Warning Sym. CE	Decal,
18	180432	Decal, Fender DB/CE	Decal,
19	159736	Manual, HP Engine	Manual
20	145005	Manual, Hood/Fender	Manual
21	159737	Manual, Lower Dash	Manual
22	140837	Manual, Warning	Manual
-	138311	Manual, Hood Side Panels	Manual
-	162598	Manual, V-Belt Schematic	Manual
-	442296	Manual, Cutoffing CE	Manual
-	443061	Manual, Warning, Sym.	Manual
-	443062	Manual, Warning Service/Fire	Manual
-	443063	Manual, V-Belt Schematic	Manual
-	442605	Manual, Warning Sym. CE	Manual

### WHEELS & TIRES

KEY NO.	PART NO.	DESCRIPTION	DESCC
1	59192	Valve	Valve
2	65139	Stem	Stem
3	106222X	Tire, F	Tire, F
4	59904	Tube, I	Tube, I
5	106732X613	(Not P) Rim, F	(Not P) Rim, F
6	278H	Fitting	Fitting
7	9040H	Bearin	Bearin
8	106108X613	Rim, R	Rim, R
9	420531	Tire, R	Tire, R
10	7152J	Tube, I	Tube, I
11	104757X428	(Not P) Cap, A	(Not P) Cap, A
-	144334	Sealan	Sealan



KEY NO.	PART NO.	DESCRIPTION
13	121248X	Bushing, Snap
14	72050412	Bolt, Carriage 1/4-20 x 1-1/2
15	134300	Spacer, Split .28 x .88
16	121250X	Spring
17	123976X	Locknut, Flange 1/4 Gr. 5
21	171852	Bolt, Shoulder 5/16-18 unc
22	STD541431	Nut
24	19171912	Washer 17/32 x 1-3/16 x 12 Ga.
25	127018X	Washer 17/32 x 1-3/16 x 12 Ga.

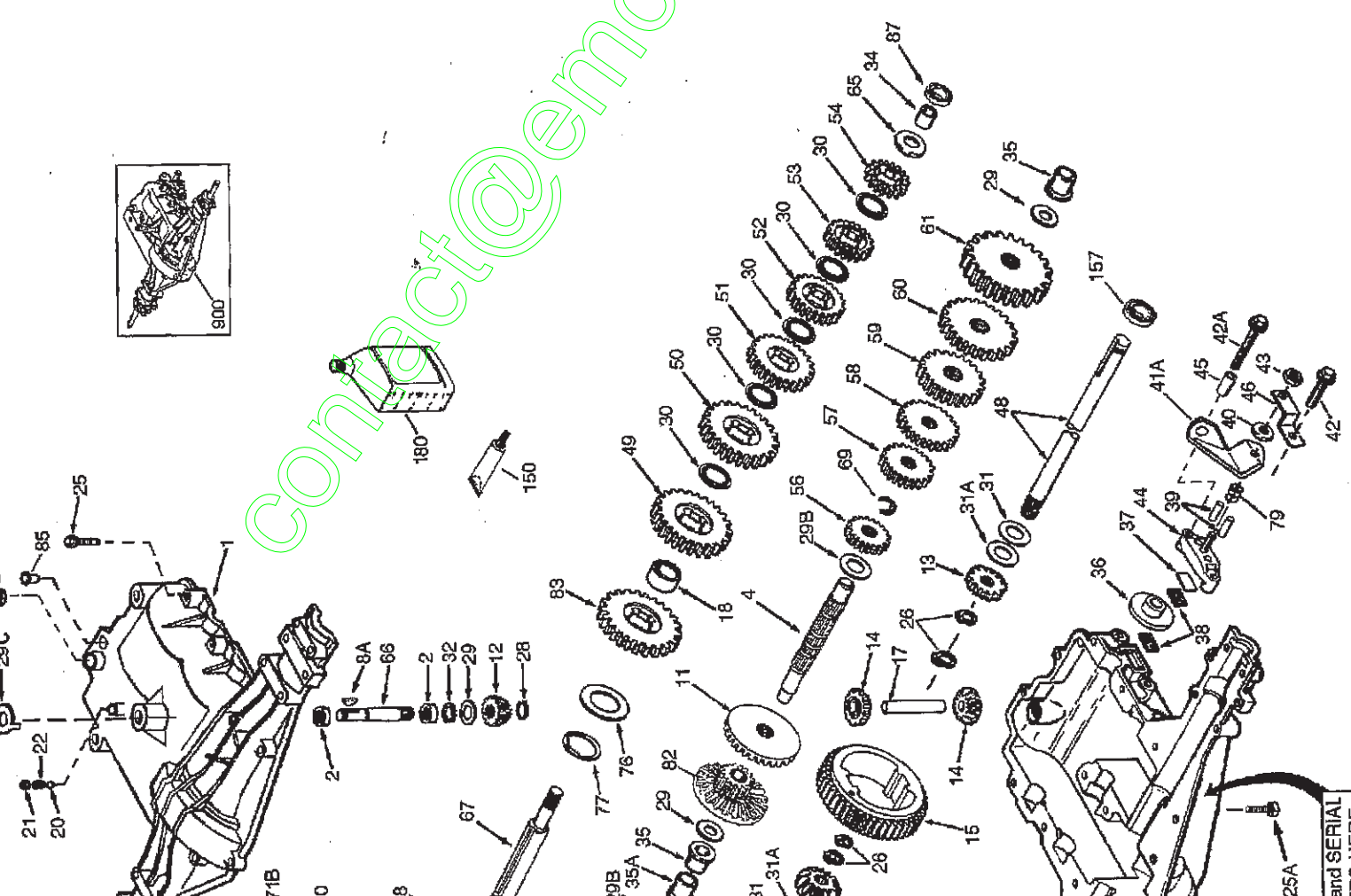
**NOTE:** All component dimensions given in U.S. inches  
1 inch = 25.4 mm

ch Mounting

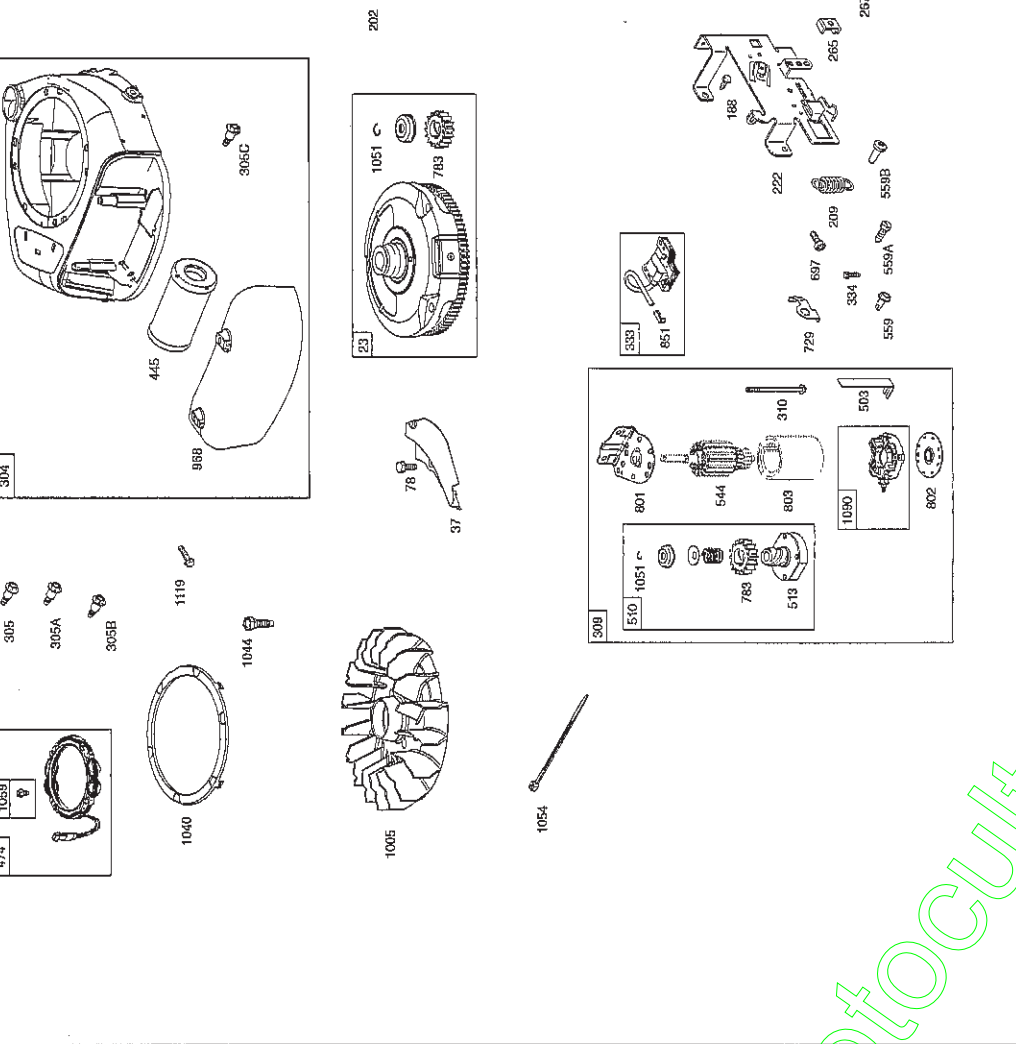
42A	792085A	Needle Bearing 5/8"
43	792075	Transaxle Case
44	790025	Countershaft
45	786066	Output Shaft
46	786086	Spur Gear (38 teeth)
47	774690	Spur Gear (15 teeth)
48	774691	Spur Gear (11 teeth)
49	778356	Shift Key
50	778338	Woodruff Key #9
51	778354	Shift Collar
52	778352	Shift Rod & Fork
53	778350	Bevel Gear (30 teeth)
54	778346	Input Bevel Pinion (13 teeth)
56	778355	Bevel Gear (13 teeth) (Include. 14)
57	778337	Bevel Pinion (13 teeth) (Include. 13)
58	778353	Ring Gear (43 teeth)
59	778351	Drive Pin
60	778349	Spacer 1.130 X .695
61	778345	Ball 5/16" dia
65	780189	Set Screw 3/8 - 16 x 3/8"
66	776422	Screw .310 OD x .625 L
67	776396	Screw 1/4 - 20 x 1-1/4"
69	792170	Screw 1/4-20 x 1-3/8"
70	786187	Retaining Ring (pkg of 2)
71	788069	Retaining Ring
71B	788092	Retaining Ring
76	780090	Thrust Washer .627 ID x .031W
77	788078A	Thrust Washer .762 ID x .031W
79	792144	Thrust Washer .762 ID x .031W
82	778333	Anti-Rotation Washer .632
83	778338	Cup Washer 1.127 ID x .032W
85	792154	Flat Washer .750 ID x .056W
87	788089A	(Use As Needed)
150	788093A	Flat Washer .750 ID x .062W
157	788088A	Oil Seal 5/8"
180	730229A	Bushing .563
900	794712	Flanged Bushing 5/8" ID

**NOTE:** All component dime  
1 inch = 25.4 mm

2	780086A
3	770128
4	776395
5	776409
6	778364
6A	778369
7	778330
8	792180
8A	792047
9	784352
10	784378
11	778334
12	778309
13	778368
14	778368
15	778370
17	786188
18	786102
20	792077A
21	792078
22	792079
25	792073A
25A	792177
26	792125
27	792035
28	788040
29	780072
29A	780160
29B	780051
29C	780199
30	780108
31	780001
31A	780195
32	788083
34	780194
35	780193
35A	780197
36	790075
37	790007
38	799021
39	786026
40	792076A
41A	790079



and SERIAL  
ERS HERE  
et Sériel  
re Ici



135	698780	Tube-Fuel Transfer	697144	552	697144	Bushing-Governor Crank	1026	692003
137	698781	Gasket-Float Bowl	697561	559	697561	Screw (Remote Choke Stop)	692011	692011
141	792777	Kit-Choke Shaft		559A	693675	Screw (Remote Choke Stop) (#8-32x.37) (Control Bracket)	1029	691751
146	691639	Key-Timing		559B	699881	Screw (Remote Choke Stop) (T-25x.4) (Control Bracket)	1034	690822
186	794873	Connector-Hose (Intake Manifold)				Screw (Remote Choke Stop) (T20 #8-32x.5) (Control Bracket)	1036	
187	791805	Line-Fuel (Formed)				Screw (Governor Control Lever)		
		(Cut to Required Length)				Cover-Breather Passage	1040	698368
188	691693	Screw (Control Bracket)	691119	562	691119	Gasket-Breather Passage	1044	698139
192	691986	Adjuster-Rocker Arm	794682	584	794682	Hose-Clamp (Green)	1051	691265
202	691841	Link-Mechanical Governor	697109	585	697109	Pin-Cotter	1054	280275
209	692208	Spring-Governor (Green)	791850	601	791850	Crank-Governor	1058	276344TRI
217	695409	Spring-Choke Return	691620	614	691620	Seal-O Ring (Intake Manifold) (Red)	1059	698516
222	694042	Bracket-Control	692012	616	692012	Seal-O Ring (Intake Manifold) (Red)	1090	691293
227	691374	Lever-Governor Control	692138	617	692138	Seal-Choke/Throttle Shaft	1091	691333
232	691842	Spring-Governor Link	699813	633	699813	(Choke Shaft)	1095	794152
238	691843	Cap-Valve	698779	634	698779	Spring/Seal Assembly	1119	691183
240	394358s	Filter-Fuel				(Choke Shaft)	1127	695407
265	691024	Clamp-Casing				Boot-Spark Plug	1263	697124
267	794904	Screw (Casing Clamp)	691909	635	691909	Nut (Carburetor)	1264	697104
276	695410	Washer-Sealing	690958	654	690958	Screw (Breather Assembly)	1266	691917
304	797900	Blower Housing	697157	684	697157	Seal-Governor Shaft	1266A	697123
305	697102	Screw (Blower Housing)	692407	691	692407	Screw (Drive Cap)	1270	799243
		(1/4-20x1.14)	791680	697	791680	Pin-Locating	1329	31A607-3026-G5
305A	793376	Screw (Blower Housing)	690959	718	690959	Clip-Wire	1330	272147
		(1/4-20x.82)	691224	729	691224	Gear-Timing		
305B	795891	Screw (Blower Housing)	697128	741	697128	Link-Counterweight		
		(10-16x.43)	793242	757	793242	Counterweight		
305C	799370	Screw (Blower Housing)	793763	758	793763	Pin-Counterweight		
		(1/4-20x.90)	697392	759	697392	Gear-Pinion		
306	796006	Shield-Cylinder	693713	783	693713	Harness-Wiring		
307	691693	Screw (Cylinder Shield)	698329	789	698329	Cap-Drive		
309	693551	Motor-Starter	691283	801	691283	Cap-End		
310	690323	Screw (Starter Motor)	691286	802	691286	Stud-Rocker Arm		
324	796308	Screen/Cup Assembly	691095	830	691095	Seal-O Ring (Dipstick Tube)		
333	795315	Armature-Magneto	691031	842	691031	Dipstick/Tube Assembly		
334	691061	Screw (Magneto Armature)	790442	847	790442	Sealant-Liquid		
337	691043	Plug-Spark	100106	850	100106	Terminal-Spark Plug		
358	796187	Gasket Set-Engine	692424	851	692424	Seal-Valve		
404	691691	Washer (Governor Crank)	690968	868	690968	Gasket-Exhaust		
415	794903	Plug (Intake Manifold)	692236	883	692236	Screw (Rocker Cover)		
415A	794129	Plug (Cover/Retainer)	697551	914	697551	Solenoid-Fuel		
431	797901	Elbow-Intake	699915	947	699915	Cap-Connector		
445	796031	Filter-Air Cleaner Cartridge	799159	964	799159	Cover-Air Cleaner		
474	696459	Alternator	697902	968	697902	Bowl-Fuel		
503	691532	Strap-Starter	699502	975	699502	Seal-Throttle Shaft		
505	691251	Nut (Governor Control Lever)	698777	987	698777	Fan-Flywheel		
510	693699	Drive-Starter	796201	1005	796201	Gasket-Rocker Cover		
513	692024	Clutch-Drive	272475s	1022	272475s	Cover-Rocker		
523	699908	Dipstick	797421	1023	797421			
524	691032	Seal-Dipstick Tube						
525	697184	Tube-Dipstick						

Engine Gasket Set  
Valve Gasket Set  
Carburetor Overhaul Kit

**NOTE:** All component dimensions  
1 inch = 25.4 mm

