



Pièces détachées

Tondeuse à conducteur Marchant

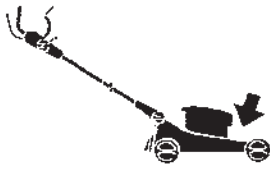
ADVANCE 40M



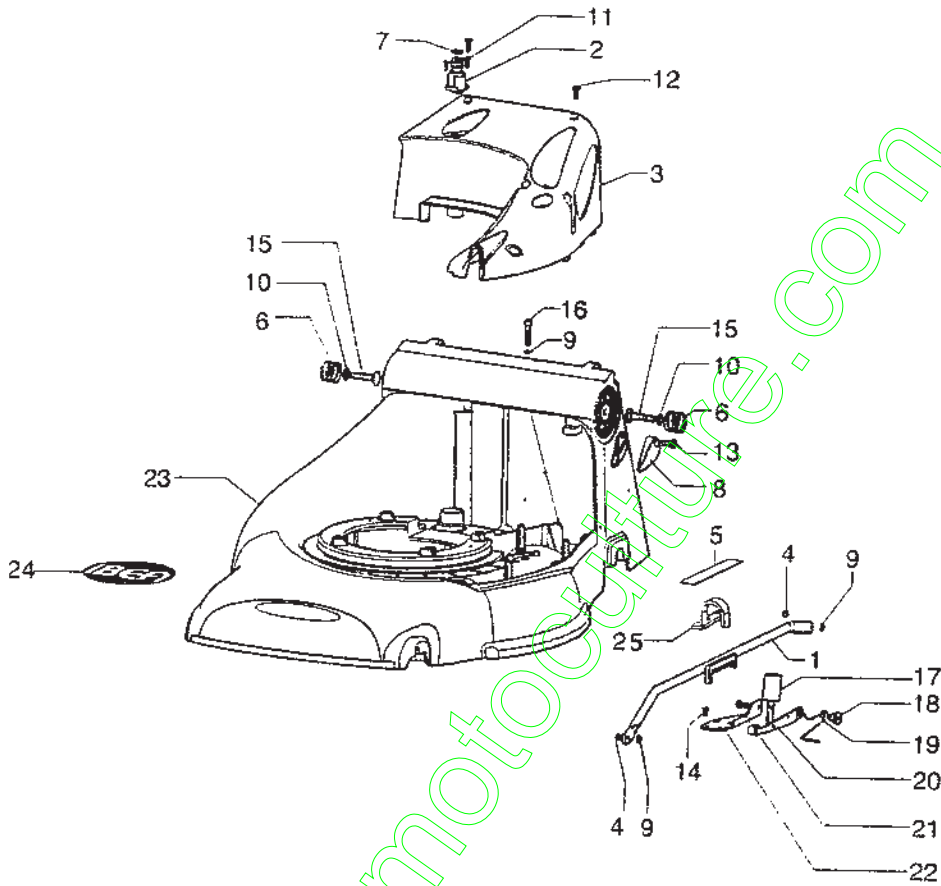
Yves Béal 21, Av. de l'Agriculture - B.P. 10
Z.I. du Breuil 63314 Clermont-Ferrand Cedex 2
Tél : 04 73 91 93 51 Téléphone : 04 73 90 23 11
www.yvesbeal.fr Email : info@yvesbeal.fr
R.C. B 304 973 886 - SIREN 304 973 886

03-000258-050329

Tav. 1



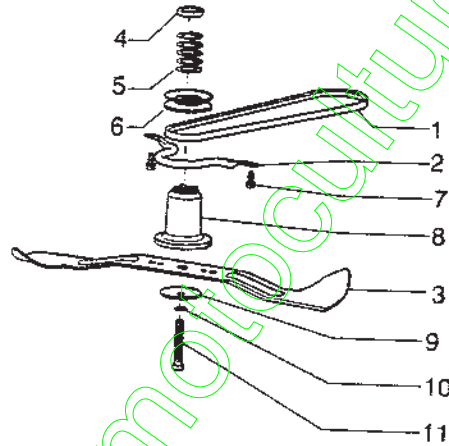
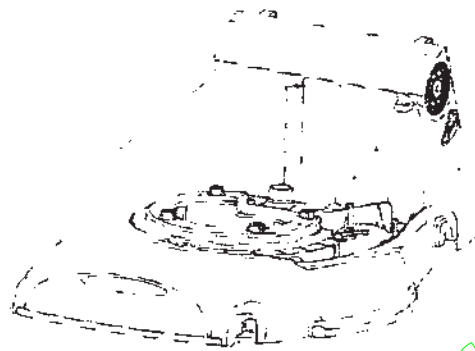
Châssis - Réglage hauteur de coupe



REF. N°	PART. N°	QTY	DESCRIZIONE	DESCRIPTION	DESCRIPTION	BESCHREIBUNG
1	P3060151ZT	1	ASTA DI COLLEGAMENTO	ROD	TIGE	STANGE
2	P2020485	1	ATTACCO ACQUA	FITTING WASHOUT	ATTELAGE	KUPPLUNG
3	P3060194	1	CARTER CINGHIA	BELT HOUSING	CARTER DE COURROIE	KEILRIEMEN GEHÄUSE
4	T050002A1	2	DADO	NUT	ÉCROU	MUTTER
5	P5140859	1	DECALCO ALTEZZA TAGLIO	CUTTING HEIGHT DECAL	AUTOCOLLANT HAUT. COUPE	AUFKLEBER SCHNITTHOHE
6	P3020071	2	MOLLA ATTACCO STEGOLA	SPRING	RESSORT	FEDER
7	P3170041	1	O-RING	O-RING	JOINT TORIQUE	GUMMING
8	P3050146VE	1	PRESSACAPO	CLAMP	COLLIER	RAPBAND
9	P1020168	3	ROSETTA ELASTICA	WASHER	RONDELLE	FEDERSCHEIBE
10	P1060020	2	STARLOCK	STARLOCK	STARLOCK	STARLOCK
11	P1010231	2	VITE	SCREW	VIS	SCHRAUBE
12	P1010330	6	VITE	SCREW	VIS	SCHRAUBE
13	P1010327	1	VITE	SCREW	VIS	SCHRAUBE
14	P1010328	4	VITE	SCREW	VIS	SCHRAUBE
15	T010026A1	2	VITE	SCREW	VIS	SCHRAUBE
16	P1010338	1	VITE	SCREW	VIS	SCHRAUBE
17	P2020479	1	PULSANTE	BUTTON	BOUION	SCHRAUBE
18	P3040579ZT	1	PERNO MOLLA	SPRING PIN	GOUPILLE RESSORT	DRUCKKNOPF
19	P3020058	1	MOLLA	SPRING	RESSORT	STIFT FEDER
20	P3060207	1	LEVA PULSANTE	LEVER	LEVIER	FEDER
21	P1010285	1	VITE	SCREW	VIS	HEBEL
22	P4010613ZT	1	PIASTRA LEVA	PLATE	PLAQUE	SCHRAUBE
23	P4090017VE	1	SCOCOA	DECK	CHÂSSIS	PLATTE
24	P5140857	1	FARGHETTA IBEA	DECAL IBEA	AUTOCOLLANT IBEA	GEHÄUSE
25	P3060308ZB	1	CAVALLOTTO	U BOLT	CAVALIER	AUFKLEBER IBEA
						BUGELBOLZEN

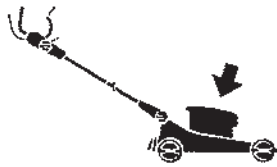


Groupe de lame

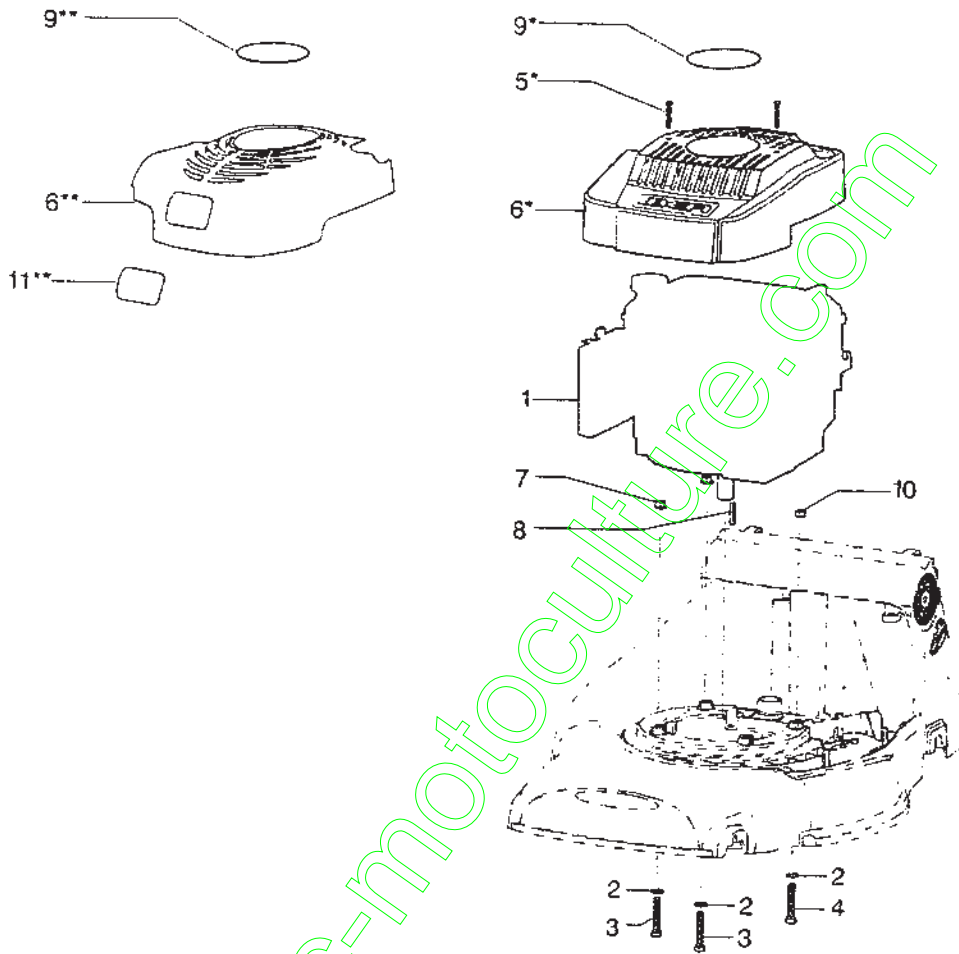


REF. N°	PART. N°	QTY	DESCRIZIONE	DESCRIPTION	DESCRIPTION	BESCHREIBUNG
1	P3010037	1	CINGHIA TRASMISSIONE	TRANSMISSION BELT	COURROÏE DE TRANSMISSION	RIEMEN
2	P3120182BR	1	GUIDA CINGHIA	BELT GUIDE	GUIDAGE DE COURROÏE	RIEMENFÜHRUNG
3	P4050045VE	1	LAMA	BLADE	COUÏEAU	MESSER
4	P30406432T	1	DISTANZIALE PULEGGIA	SPACER	DOUILLE	ABSTANDSTÜCK
5	P1020176	5	MOLLA A TAZZA	BELLEVILLE WASHER	RESSORT	TELLERFEDER
6	P30602752T	1	PULEGGIA MOTRICE	PULLEY POULIE	REIMEN	SCHEIBE
7	P1010360	2	VITE	SCREW	VIS	SCHRAUBE
8	P3050148	1	BUSSOLA LAMA	BLADE BUSHING	DOUILLE DE COUÏEAU	MESSERBÜCHSE
9	1110002A1	1	MOLLA A TAZZA	BELLEVILLE WASHER	RESSORT À GODET	FEDERSCHEIBE
10	P1020067	1	RONDELLA	WASHER	RONDELLE	SCHRAUBE
11	P1010050	1	VITE	SCREW	VIS	SCHRAUBE

Tav. 5



Couvercle moteur

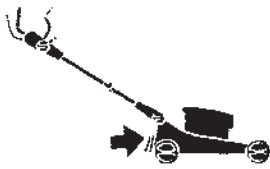


REF. N°	PART. N°	QTY	DESCRIZIONE	DESCRIPTION	DESCRIPTION	BESCHREIBUNG
1		1	MOTORE	ENGINE	MOTEUR	MOTOR
2	1020014A1	3	ROSETTA	WASHER	RONDELLE	SCHEIBE
3	P1010152	2	VITE	SCREW	VIS	SCHRAUBE
4	P1010097	1	VITE	SCREW	VIS	SCHRAUBE
5*	P1010154	2	VITE	SCREW	VIS	SCHRAUBE
6*	P2020165	1	CAPOTTINA	COVER	COUVERCLE	DECKEL
6**		1	CAPOTTINA	COVER	COUVERCLE	DECKEL
7	P1050011	2	DADO	NUT	ÉCROU	MUTTER
8	P1090026	1	CHIAVETTA	KEYING	CLAVETTE	KEIL
9*	P5140863	1	DECALCOMANIA	LABEL	AUTOCOLLANT	AUFKLEBER
9**	P5140897	1	DECALCOMANIA	LABEL	AUTOCOLLANT	AUFKLEBER
10	P1050013	1	DADO	NUT	ÉCROU	MUTTER
11**	P5140898	1	DECALCOMANIA	LABEL	AUTOCOLLANT	AUFKLEBER

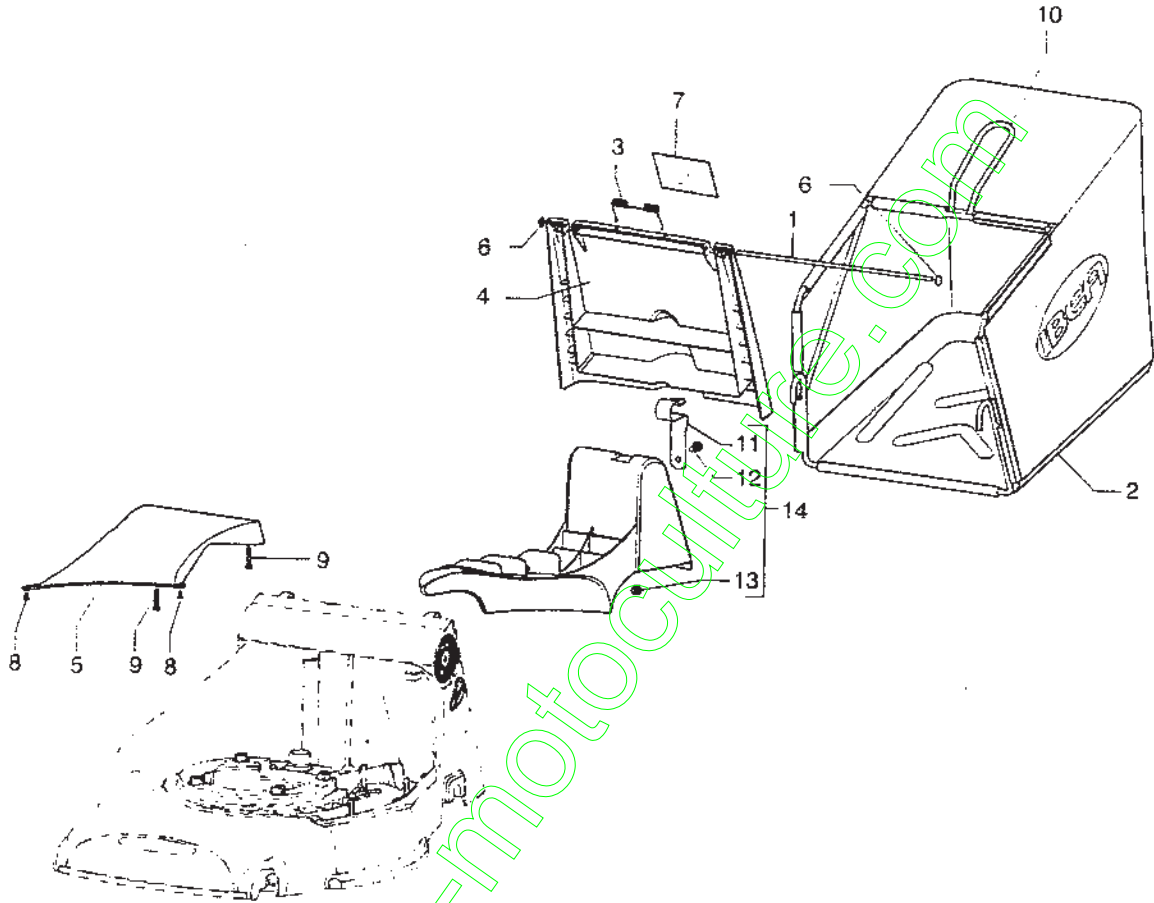
* = FINO AL N° SERIE/UP TO SERIAL N./JUSQU'À LA SÉRIE N./BIS SERIENNUMMER
 IB-50024B: 020500
 IB-50026B: 021889

** = DAL N° SERIE/FROM SERIAL N./DÈS LA SÉRIE N./VON SERIENNUMMER
 IB-50024B: 020501
 IB-50026B: 021890

Tav. 7

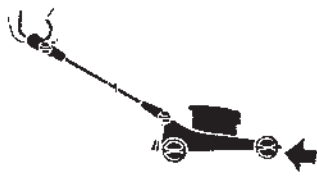


Sac - Protection posteriore

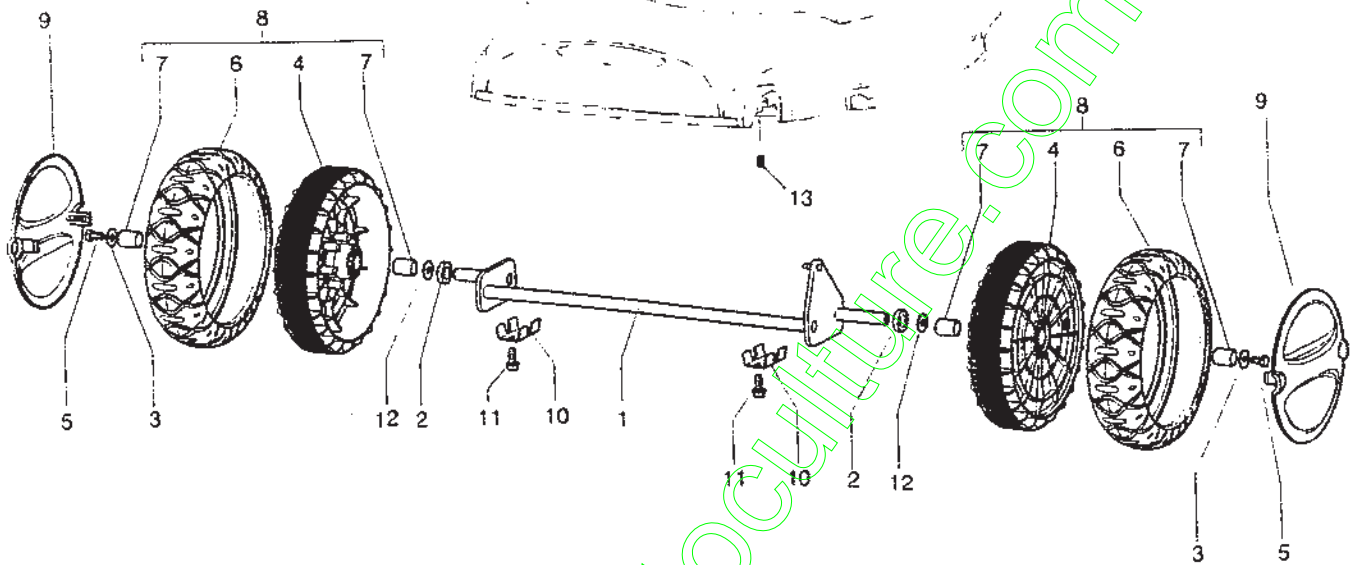


REF. N°	PART. N°	QTY	DESCRIZIONE	DESCRIPTION	DESCRIPTION	BESCHREIBUNG
1	P3100190ZT	1	ASTINA PORTELLO	ROD	TIGE	STANGE
2	P3160070	1	SACCO	BAG	SAC	GRASFANGSACK
3	P3020060ZT	1	MOLLA PORTELLO	SCHIELD SPRING	RESSORT PROTECTION	FEDER Klappe
4	P2020432	1	PORTELLO	SCHIELD	PROTECTION	Klappe
5	P2020494	1	SCIVOLO ERBA	CHUTE DOOR	DÉFLECTEUR	LEITBLECH
6	P1060004	2	STARLOCK	STARLOCK	STARLOCK	STARLOCK
7	P5140860	1	DECALCO SICUREZZA	SAFETY DECAL	AUTOCOLLANT DE SECURITE'	SICHERHEITSaufkleber
8	P1010356	2	VITE	SCREW	VIS	SCHRAUBE
9	P1010178	2	VITE	SCREW	VIS	SCHRAUBE
10	P3060144VE	1	RELAIO CESTELLO	BAG FRAME	CADRE DU SAC	SACKGESTELL
11	P4010704ZB	1	MOLLA	SPRING	RESSORT	FEDER
12	P1010119	1	VITE	SCREW	VIS	SCHRAUBE
13	P1050036	1	DADO	NUT	ECROU	MUTTER
14	P3060258	1	ASSIEME TAPPO MULCHING	MULCHING PLUG	BOUCHON MULCHING	MULCHING-ABDECKUNG

Tav. 8

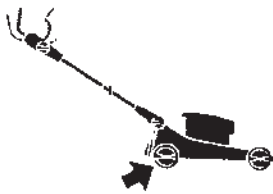


Essieu avant

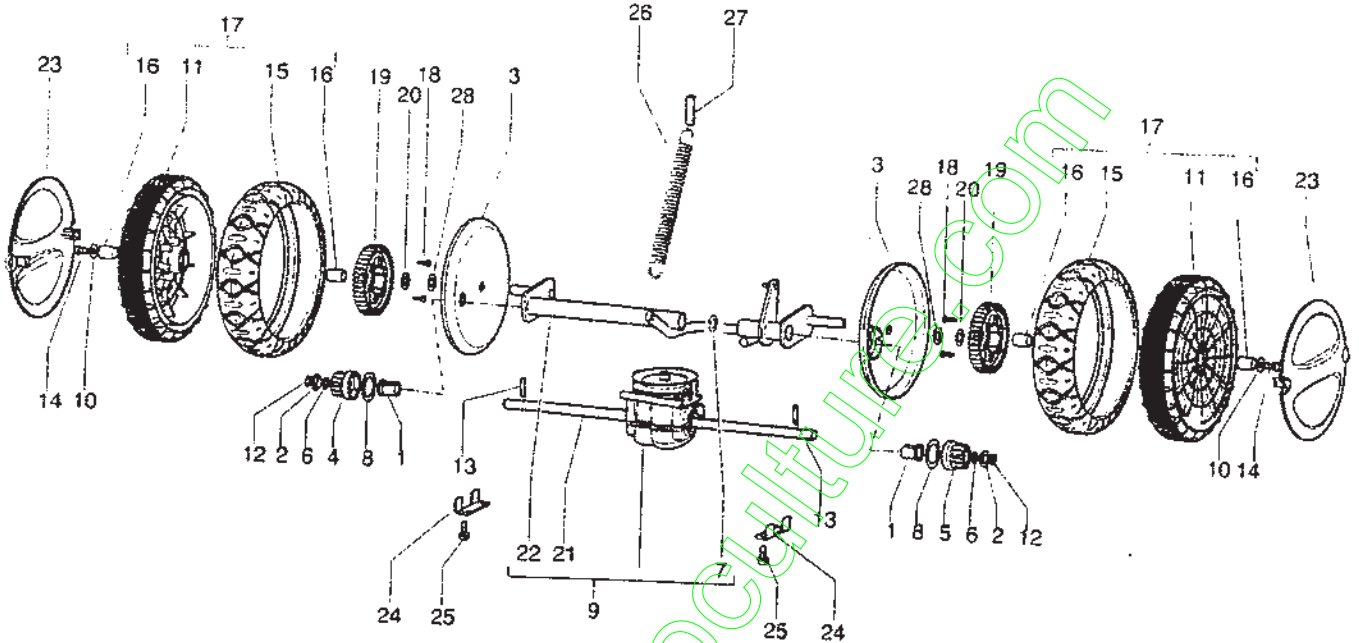


REF. N°	PART. N°	QTY	DESCRIZIONE	DESCRIPTION	DESCRIPTION	BESCHREIBUNG
1	P3060143ZT	1	ASSALE ANTERIORE	FRONT AXLE	ESSIEUX AVANT	VORDERACHSE
2	P2020088	2	DISTANZIALE PER RUOTE	SPACER	DOUILLE	ABSTANDSTÜCK
3	1020007A1	2	ROSETTA	WASHER	RONDELLE	FEDERSCHEIBE
4	P2020421	2	CERCHIONE	WHEEL HUB	JANTE	FELGE
5	1010018A1	2	VITE	SCREW	VIS	SCHRAUBE
6	P2020483	2	COPERTONE	TYRE	PNEU	REIFEN
7	P3050149	4	BUSSOLE	BUSHING	DOUILLE	BÜCHSE
8	P2080017	2	RUOTA COMPLETA	WHEEL ASSY	ROUE COMPL.	RAD KOMP.
9	P2020423	2	COPRICERCHIONE	WHEEL HUB COVER	PROTECTION JANTE	SCHUTZ FELGE
10	P4080015	2	SUPPORTO PER ASSALE	SUPPORT	SUPPORT	HALTER
11	P1010360	4	VITE	SCREW	VIS	SCHRAUBE
12	P1020179	2	ANELLO	O-RING	JOINT TORIQUE	GUMMIRING
13	P3020072	2	MOLLA ASSALE ANT.	FRONT AXLE SPRING	RESSORT ESSIEUX ANTERIEUR	FRÜHERUNDGETRIEBEFEDER

Tav. 10



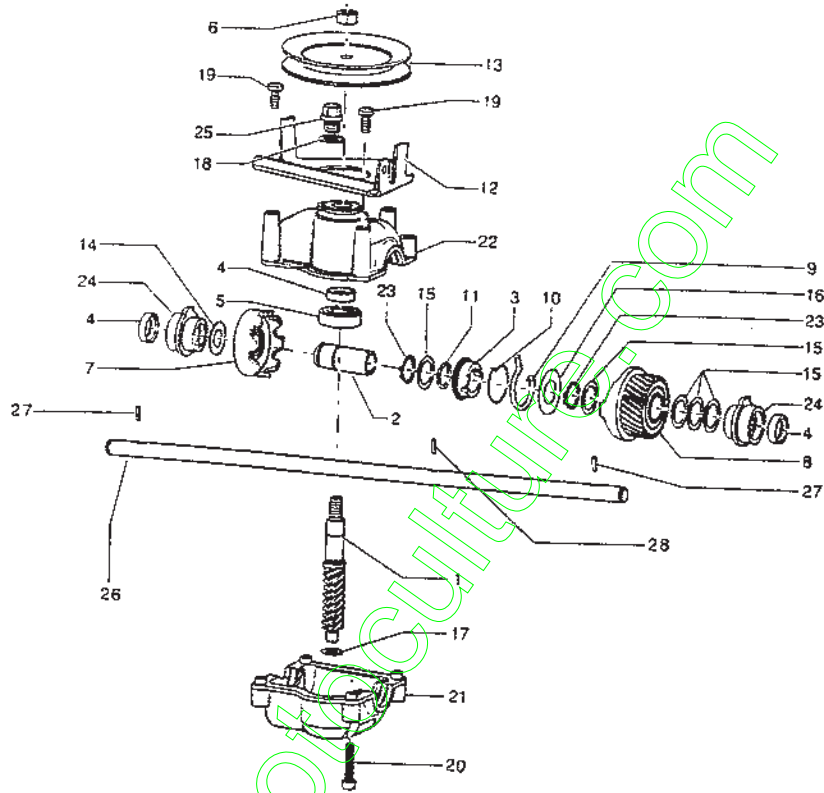
Essieu arriere



REF. N°	PART. N°	QTY	DESCRIZIONE	DESCRIPTION	DESCRIPTION	BESCHREIBUNG
1	P2020070	2	BUSSOLA ASSALE POSTERIORE	BUSHING	DOUILLE	BÜCHSE
2	P3040580ZT	2	BUSSOLA	BUSHING	DOUILLE	BÜCHSE
3	P2020420	2	COPRIRUOTA POSTERIORE	WHEEL COVER	PROTECTION ROUE	SCHUTZ RAD
4	P3050097	1	INGRANAGGIO CRICCHETTO	CROWN GEAR	ENGRENAGE	ZAHNRAD
5	P3050098	1	INGRANAGGIO CRICCHETTO	CROWN GEAR	ENGRENAGE	ZAHNRAD
6	P3170013	2	O-RING	O-RING	JOINT TORIQUE	ZAHNRAD
7	1020020A1	1	RASAMENTO	SPACER	DOUILLE	GUMMIRING
8	P1020164	2	RASAMENTO	SPACER	DOUILLE	ABSTANDSSTÜCK
9	P2090036	1	RIDUTTORE COMPLETO	GEAR BOX ASSY	TRANSMISSION COMPL.	ABSTANDSSTÜCK
10	1020007A1	2	ROSETTA	WASHER	RONDELLE	FAHRGETRIEBE KOMP.
11	P2020424	2	CERCHIONE	WHEEL HUB	JANTE	FEDERSCHEIBE
12	1070001A1	2	SEEGER	CIRCLIP	SEEGER	FELGE
13	P1080026	2	SPINA	PIN	GOUPILLE	SEEGER
14	1010018A1	2	VITE	SCREW	VIS	SPANNHÜLSE
15	P2020484	2	COPERTONE	TYRE	PNEU	SCHRAUBE
16	P3050149	1	BUSSOLE	BUSHING	DOUILLE	REIFEN
17	P2080012	2	RUOTA COMPLETA	WHEEL ASSY	ROUE COMPL.	BÜCHSE
18	P1010364	1	VITE	SCREW	VIS	RAD KOMP.
19	P2020427	2	INGRANAGGIO	CROWN GEAR	ENGRENAGE	SCHRAUBE
20	1020020A1	2	RONDELLA	WASHER	RONDELLE	ZAHNRAD
21	P3040454	1	ALBERO TRASMISSIONE	DRIVE SHAFT	ARBRE DE TRANSMISSION	SCHEIBE
22	P3060197ZT	1	ASSALE POSTERIORE TRAZ.	REAR AXLE	ESSEUX ARRIERE	ANTRIEBSWELLE
23	P2020426	2	COPRICERCHIONE	WHEEL HUB COVER	PROTECTION JANTE	HINTERACHSE
24	P4090011ZT	2	SUPPORTO	SUPPORT	SUPPORT	SCHUTZ FELGE
25	P1010360	4	VITE	SCREW	VIS	HALTER
26	P3020070	1	MOLLA	SPRING	RESSORT	SCHRAUBE
27	P3040615ZT	1	PERNO MOLLA ASSALE	AXLE SPRING PIN	GOUPILLE RESSORT ESSEUX	FEDER
28	P1020179	2	ANELLO	O-RING	JOINT TORIQUE	STIF HINTERACHSE FEDER
						GUMMIRING

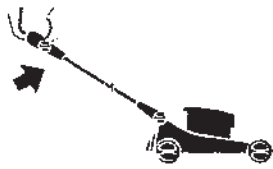


Transmission

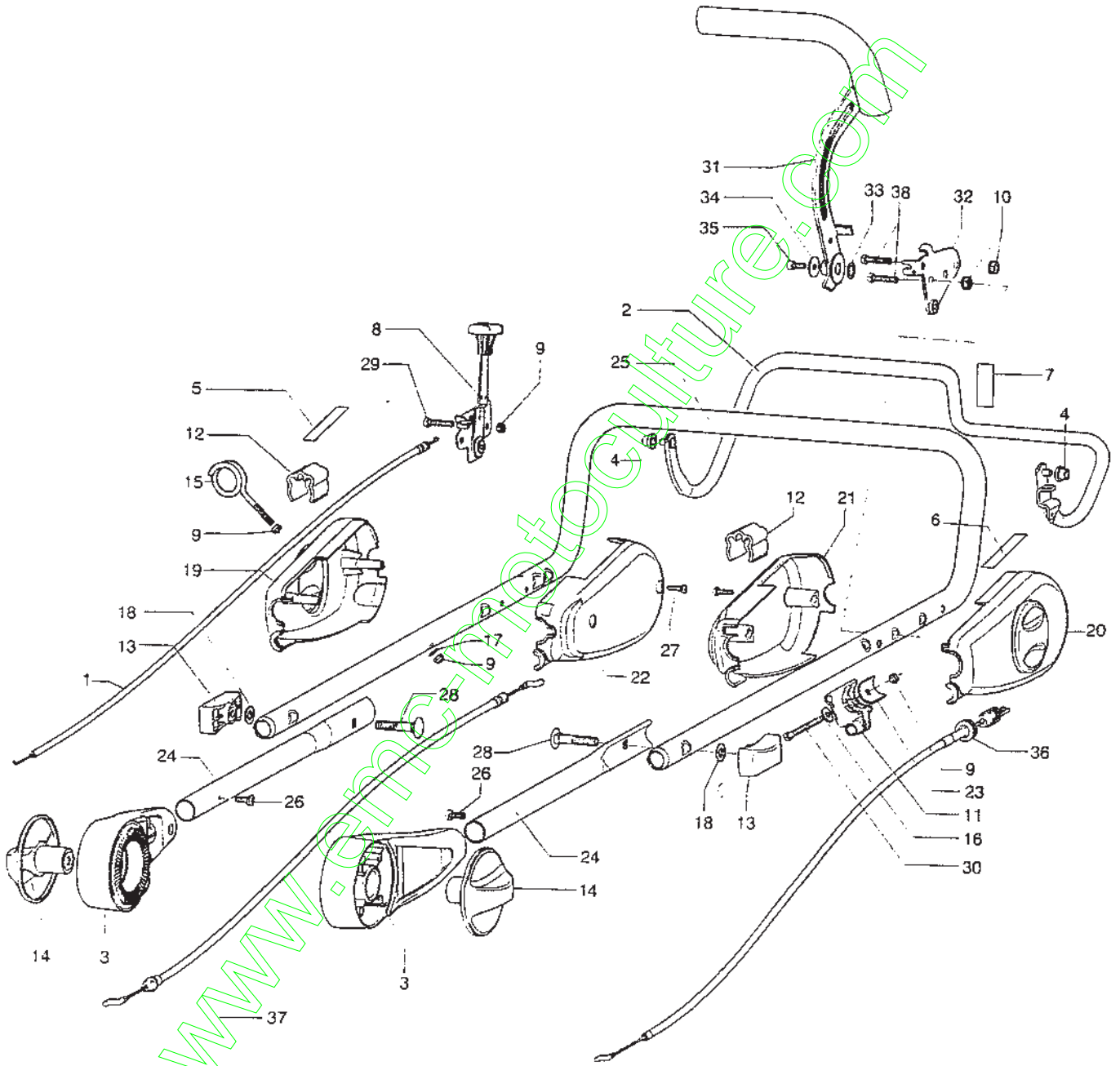


REF. N°	PART. N°	QTY	DESCRIZIONE	DESCRIPTION	DESCRIPTION	BESCHREIBUNG
1	P3040571	1	VITE SENZA FINE	WORM SCREW	VIS SANS FIN	SCHNECKE
2	P3040452	1	BUSSOLA	BUSHING	DOUILLE	BÜCHSE
3	P3050138	1	BUSSOLA PORTA MOLLA	BUSHING	DOUILLE	BÜCHSE
4	P3170011	3	PARAOLIO	OIL SEAL	JOINT	DICHTUNG
5	P3030010	1	CUSCINETTO	BEARING	PALIER	LAGER
6	P1010008	1	DADO	NUT	ÉCROU	MUTTER
7	P3050113	1	FLANGIA-INNESTO RIDUTTORE	FLANGE	BRIDE	FLANSCH
8	P3060170	1	INGRANAGGIO-INNESTO RID.	CROWN GEAR	ENGRENAGE	ZAHNRAD
9	P3020057	1	MOLLA INNESTO RIDUTTORE	SPRING	RESSORT	FEDER
10	P3020067	1	MOLLA	SPRING	RESSORT	FEDER
11	P3170039	1	O-RING	O-RING	JOINT TORIQUE	FEDER
12	P4010468ZT	1	PIASTRA	PLATE	PLAQUE	GUMMIRING
13	P3040570ZT	1	PULEGGIA CONDOTTA	PULLEY	PLAQUE	PLATTE
14	1020020A1	1	RASAMENTO	SPACER	POUILLE	RIEMENSCHLEIBE
15	P1020165	5	RASAMENTO	SPACER	DOUILLE	ABSTANDSTÜCK
16	P1020166	1	RASAMENTO	SPACER	DOUILLE	ABSTANDSTÜCK
17	P1020053	1	RASAMENTO	SPACER	DOUILLE	ABSTANDSTÜCK
18	P3170031	1	RONDELLA	WASHER	DOUILLE	ABSTANDSTÜCK
19	P1010324	3	VITE	SCREW	RONDELLE	FEDERSCHLEIBE
20	P1010325	4	VITE	SCREW	VIS	SCHRAUBE
21	P3050092	1	SCATOLA INFERIORE	LOWER HOUSING	VIS	SCHRAUBE
22	P3050091	1	SCATOLA SUPERIORE	UPPER HOUSING	BOÎTE INFÉRIEUR	SCHALE U.
23	P1070019	2	SEGER	CIRCLIP	BOÎTE SUPÉRIEUR	SCHALE O.
24	P3050115	2	SUPPORTO ALBERO	SHAFT SUPPORT	SEGER	SEGER
25	P1010249	1	TAPPO	PLUG	SUPPORT ARBRE	WELLE HALTER
26	P3040454	1	ALBERO TRAZIONE	DRIVE SHAFT	BOUCHON	KAPPE
27	P1080026	2	SPINA	PIN	ARBRE DE TRANSMISSION	ANTRIEBSWELLE
28	P1080015	1	SPINA CILINDRICA	PIN	GOUILLE	SPANNHULSE
					GOUILLE	SPANNHULSE

Tav. 13

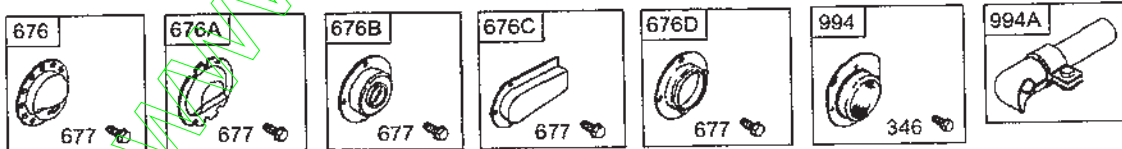
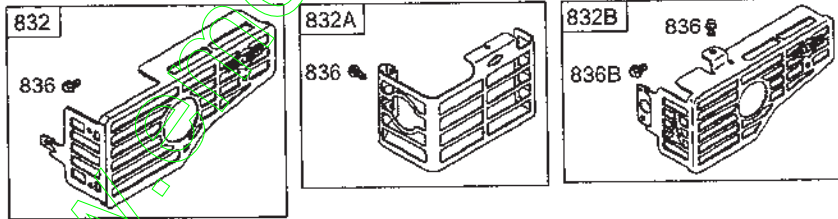
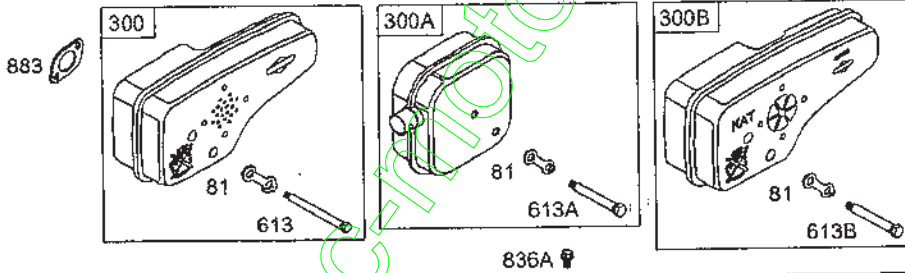
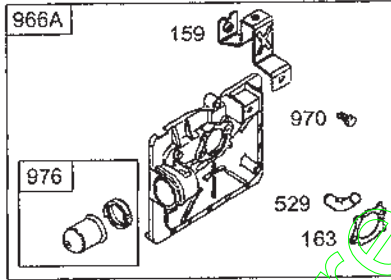
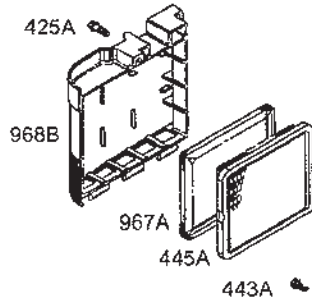


Guidon

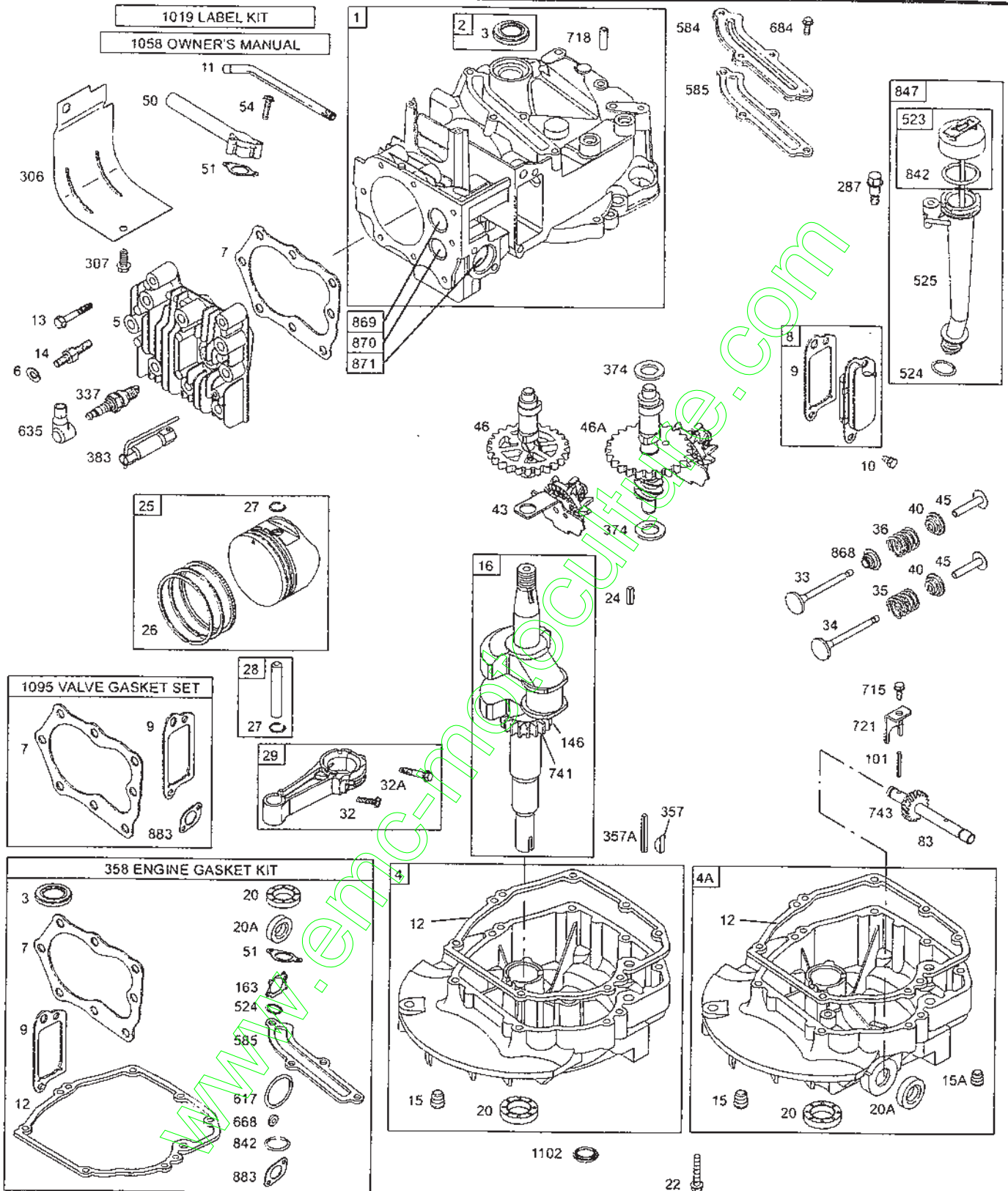


REF. N°	PART. N°	QTY	DESCRIZIONE	DESCRIPTION	DESCRIPTION	BESCHREIBUNG
1	P5020116	1	CAVO ACCELERATORE IB-50026B	THROTTLE CABLE IB-50026B	CÂBLE DE GAZ IB-50026B	GASKABEL IB-50026B
1	P5020094	1	CAVO ACCELERATORE IB-50026H	THROTTLE CABLE IB-50026H	CÂBLE DE GAZ IB-50026H	GASKABEL IB-50026H
2	P4080043VE	1	ASSIEME LEVA TRAZIONE	LEVER	LEVIER	HEBEL
3	P3050104VE	2	ATTACCO STEGOLA	JOINT	EMBRANCHEMENT	ANSCHLUSS
4	P2020153	2	BUSSOLA LEVA TRAZIONE	BUSHING	DOUILLE	BÜCHSE
5	P5140861	1	DECALCO ACCELERATORE	THROTTLE DECAL	AUTOCOLLANT GAZ	AUFKLEBER
6	P5140862	1	DECALCO - SYSTEM 2	DECAL - SYSTEM 2	AUTOCOLLANT - SYSTEM 2	AUFKLEBER - SYSTEM 2
7	P5140846	1	DECALCO TRAZIONE	TRACTION DECAL	AUTOCOLLANT TRACTION	ANTRIEBAUFKLEBER
8	P3090081	1	COMADO ACCELERATORE	THROTTLE CONTROL	GUIDON DE GAZ	GASLENKER
9	1050002A1	5	DADO	NUT	ÉCROU	MUTTER
10	P1050014	2	DADO	NUT	ÉCROU	MUTTER
11	P2020370	1	FERMACAVO PER PANNELLO	CABLE LOCK	ARRÊT DU CÂBLE	KABELHALTER
12	P2020080	2	FERMACAVO STEGOLE	CABLE LOCK	ARRÊT DU CÂBLE	KABELHALTER
13	P2020478	2	GALLETTO STEGOLA	KNOB	POIGNÉE	GRIFF
14	P2020428	2	MANOPOLA STEGOLA	KNOB	POIGNÉE	ZUGKNOPF
15	P3100152ZT	1	RICCIOLO PER AVVIATORE	STARTER HOLDER	SUPPORT	HALTER
16	P1020055	1	ROSETTA	WASHER	RONDELLE	FEDERSCHEIBE
17	P1020153	1	ROSETTA	WASHER	RONDELLE	FEDERSCHEIBE
18	1020014A1	2	ROSETTA	WASHER	RONDELLE	FEDERSCHEIBE
19	P2020444	1	SCATOLA COMANDI ESTERNA DX	CONTROL HOUSING, RH	BOÎTE ÉLÉMENTS DE COMMANDE	SCHACHELBEDENUNGSELEM.
20	P2020445	1	SCATOLA COMANDI ESTERNA SX	CONTROL HOUSING, LH	BOÎTE ÉLÉMENTS DE COMMANDE	SCHACHELBEDENUNGSELEM.
21	P2020447	1	SCATOLA COMANDI INTERNO SX	CONTROL HOUSING, LH	BOÎTE ÉLÉMENTS DE COMMANDE	SCHACHELBEDENUNGSELEM.
22	P2020446	1	SCATOLA COMANDI INTERNO DX	CONTROL HOUSING, RH	BOÎTE ÉLÉMENTS DE COMMANDE	SCHACHELBEDENUNGSELEM.
23	P4010638ZT	1	SPESSORE FERMACAVO	THICKNESS ELEMENT	ÉPAISSEUR	STÄRKE
24	P3120167VE	2	STEGOLA INFERIORE	LOWER HANDLE	GUIDON INFÉRIEUR	UNTERLENKER
25	P3120165VE	1	STEGOLA SUPERIORE	UPPER HANDLE	GUIDON SUPÉRIEUR	OBERLENKER
26	P1010330	2	VITE	SCREW	VIS	SCHRAUBE
27	P1010332	4	VITE	SCREW	VIS	SCHRAUBE
28	P1010153	2	VITE	SCREW	VIS	SCHRAUBE
29	P1010174	2	VITE	SCREW	VIS	SCHRAUBE
30	P1010244	1	VITE	SCREW	VIS	SCHRAUBE
31	P3060152PL	1	ASSIEME LEVA	LEVER	LEVIER	HEBEL
32	P3090111ZT	1	PIASTRA	PLATE	PLAQUE	PLATTE
33	P1020178	1	ROSETTA	WASHER	RONDELLE	FEDERSCHEIBE
34	P1020088	1	ROSETTA	WASHER	RONDELLE	SCHIBE
35	P1010207	1	VITE	SCREW	VIS	SCHRAUBE
36	P5010105	1	CAVO TRAZIONE	TRACTION CABLE	CÂBLE DE TRACTION	ANTRIEBSKABEL
37	P5010706	1	CAVO SYSTEM 2 IB-50026B	SYSTEM 2 CABLE IB-50026B	CÂBLE SYSTEM 2 IB-50026B	SYSTEM 2 KABEL IB-50026B
37	P5010114	1	CAVO SYSTEM 2 IB-50026H	SYSTEM 2 CABLE IB-50026H	CÂBLE SYSTEM 2 IB-50026H	SYSTEM 2 KABEL IB-50026H
38	P1010331	2	VITE	SCREW	VIS	SCHRAUBE

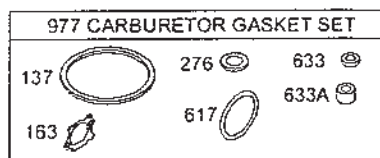
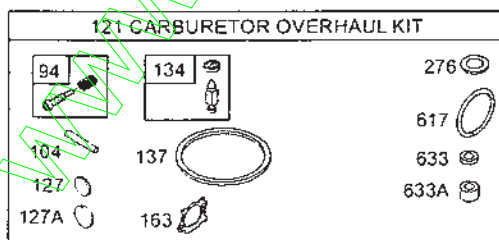
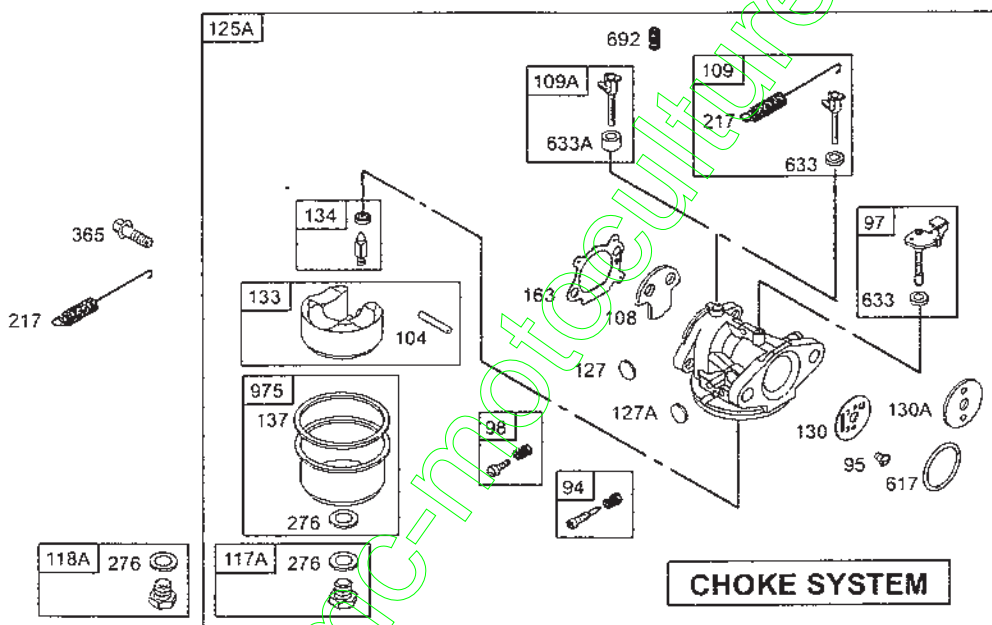
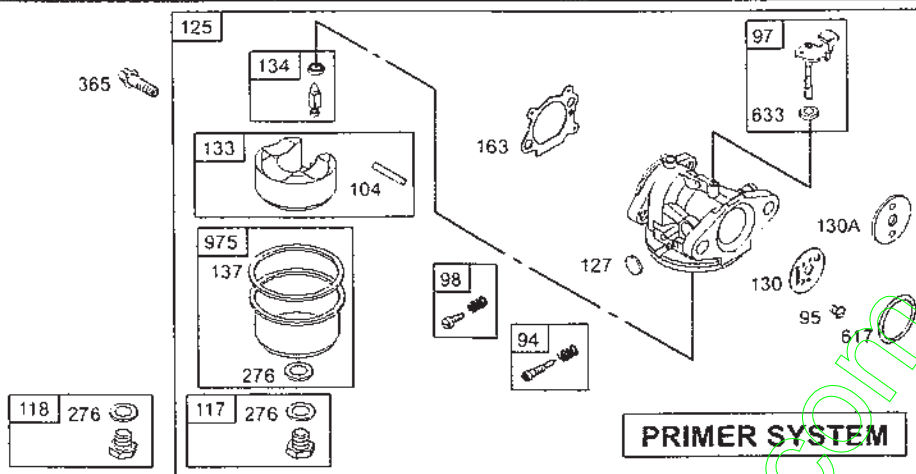
MOTEUR BRIGGS & STRATTON POUR ADVANCE 40M



12F800

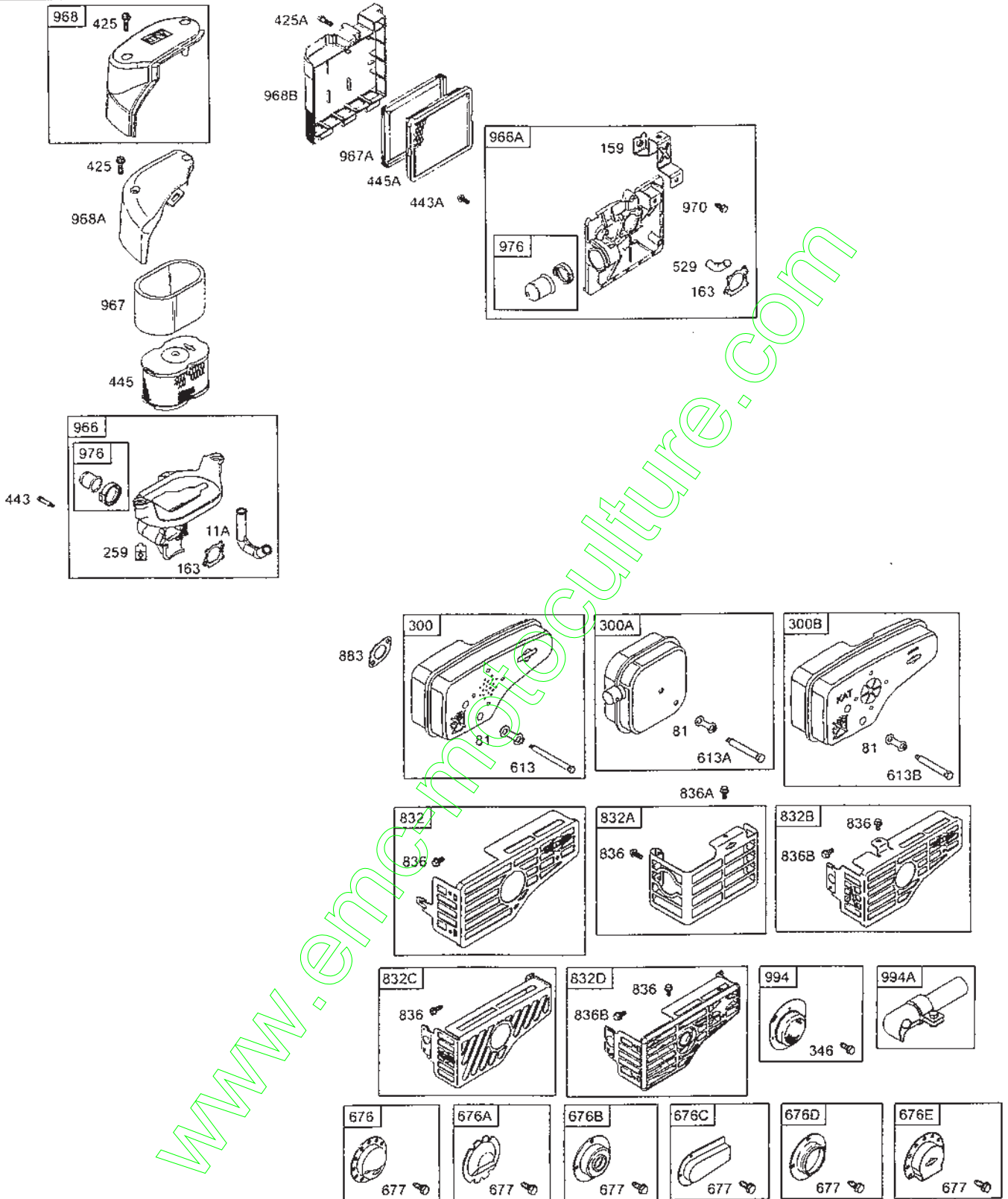


Illustrations cover a range of engines. Parts shown without corresponding text may not be used on your specific engine.
 0517-2 Assemblies include all parts shown in frames. 6C-7/2002

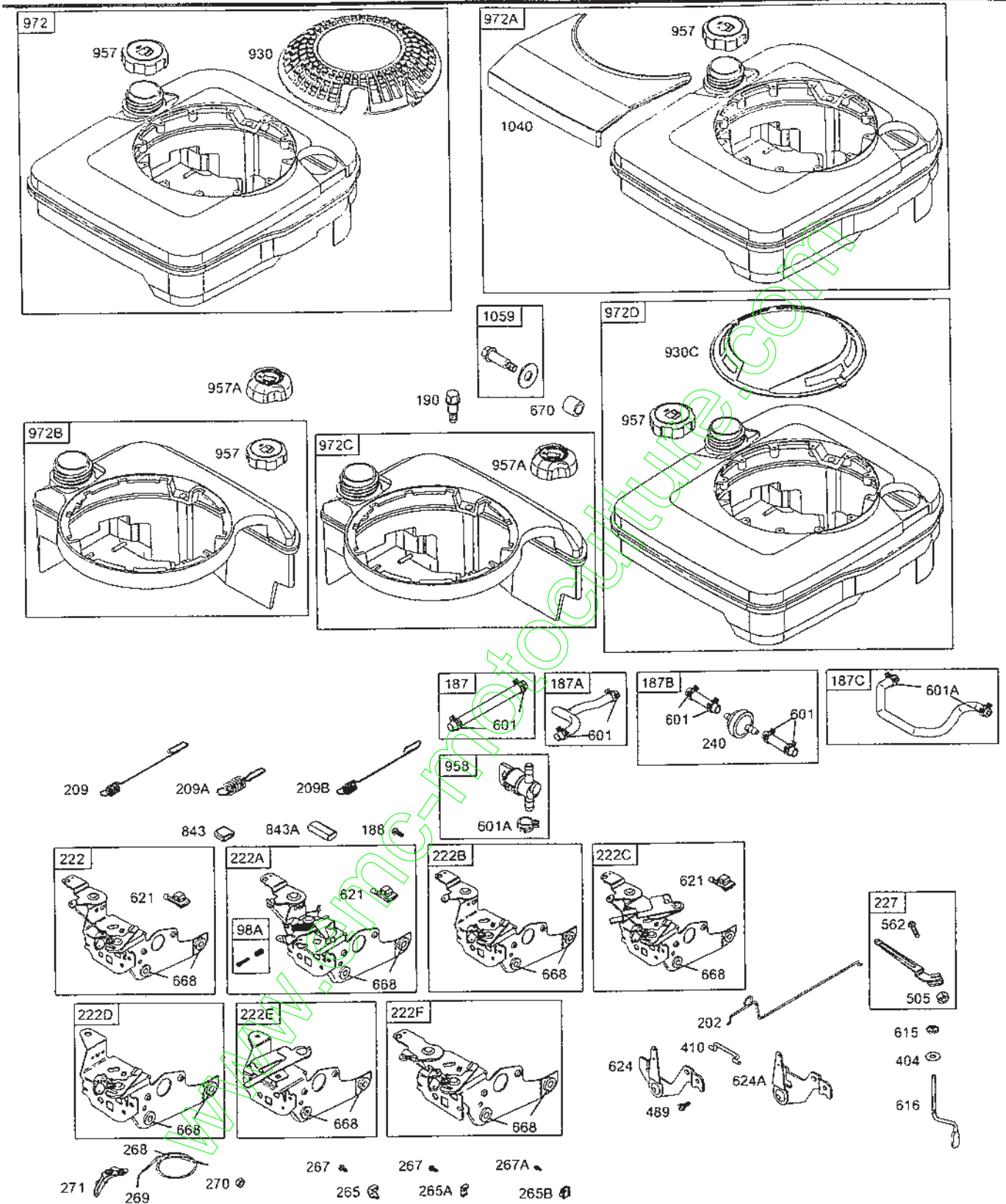


Illustrations cover a range of engines. Parts shown without corresponding text may not be used on your specific engine.
 0517-3 Assemblies include all parts shown in frames. 6C-7/2002

12F800

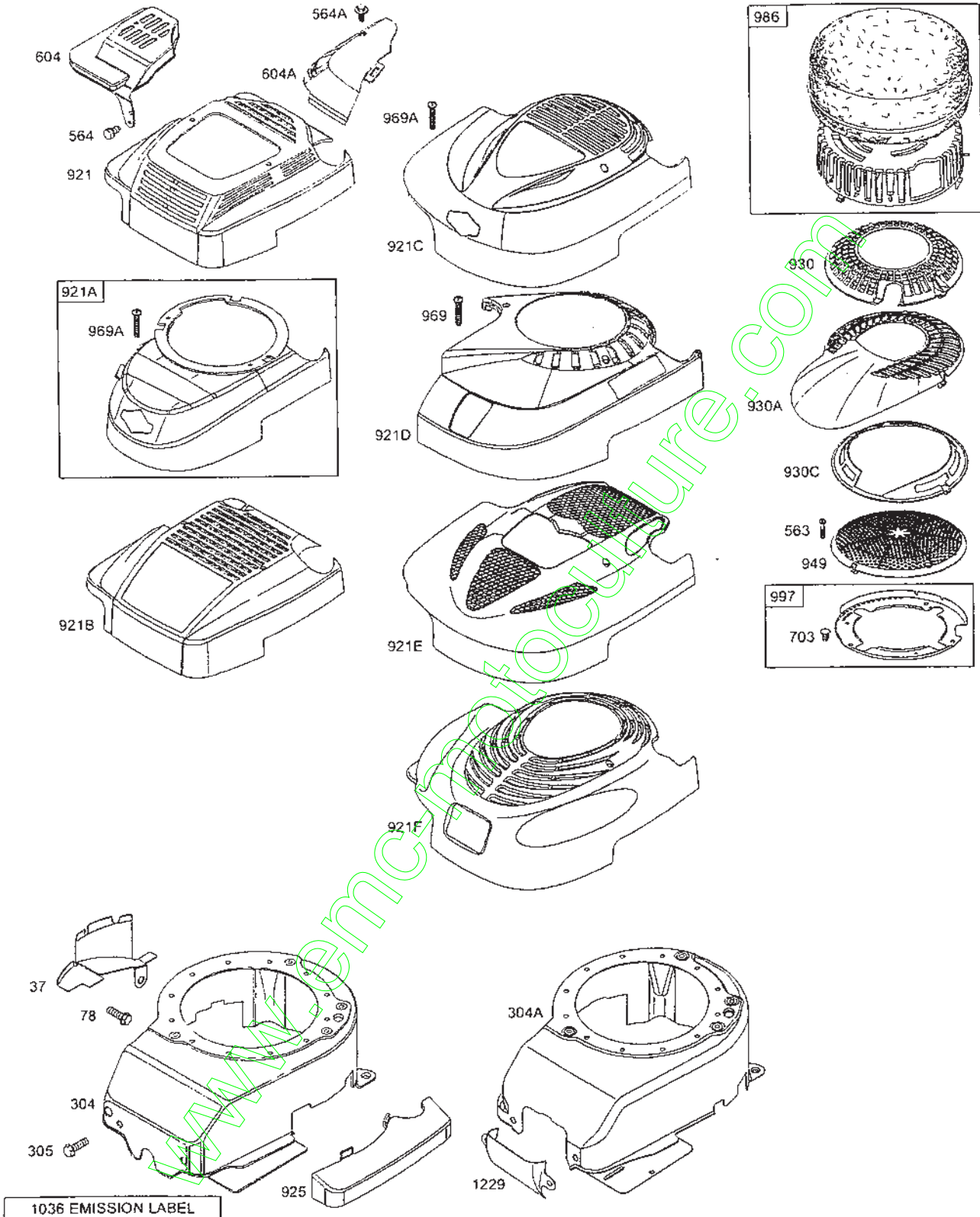


Illustrations cover a range of engines. Parts shown without corresponding text may not be used on your specific engine.
 0517-4 Assemblies include all parts shown in frames. 6C-7/2002



Illustrations cover a range of engines. Parts shown without corresponding text may not be used on your specific engine.
 0517-5 Assemblies include all parts shown in frames. 6C-7/2002

12F800

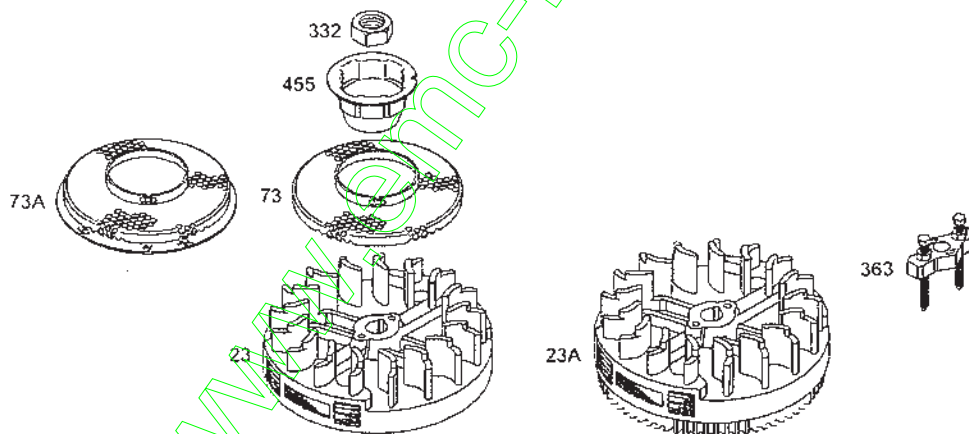
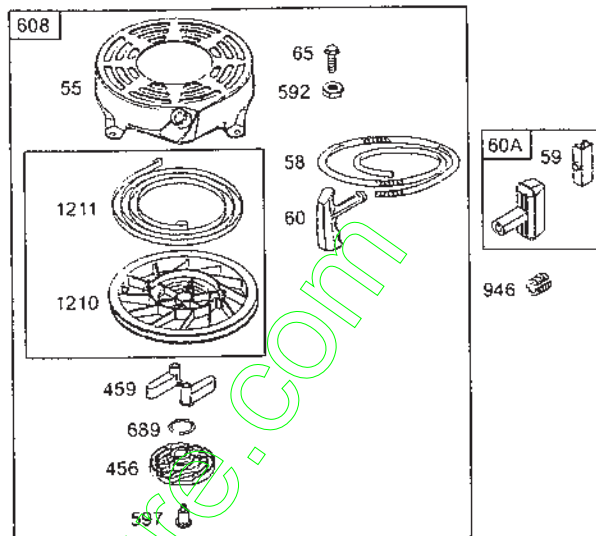
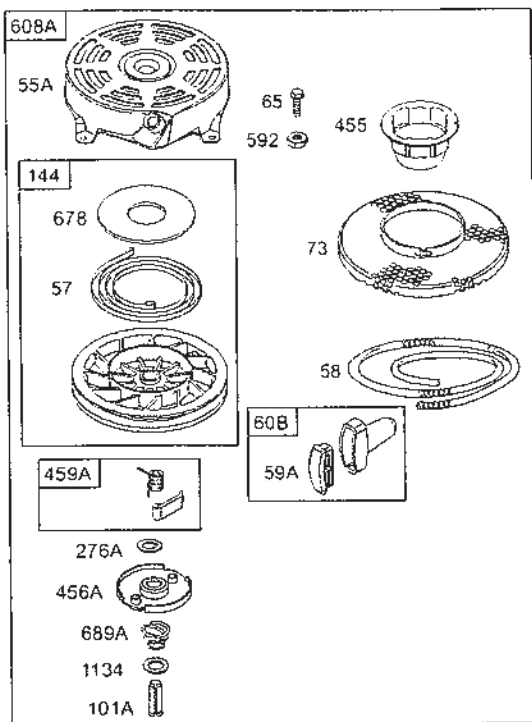


illustrations cover a range of engines. Parts shown without corresponding text may not be used on your specific engine.

0517-6

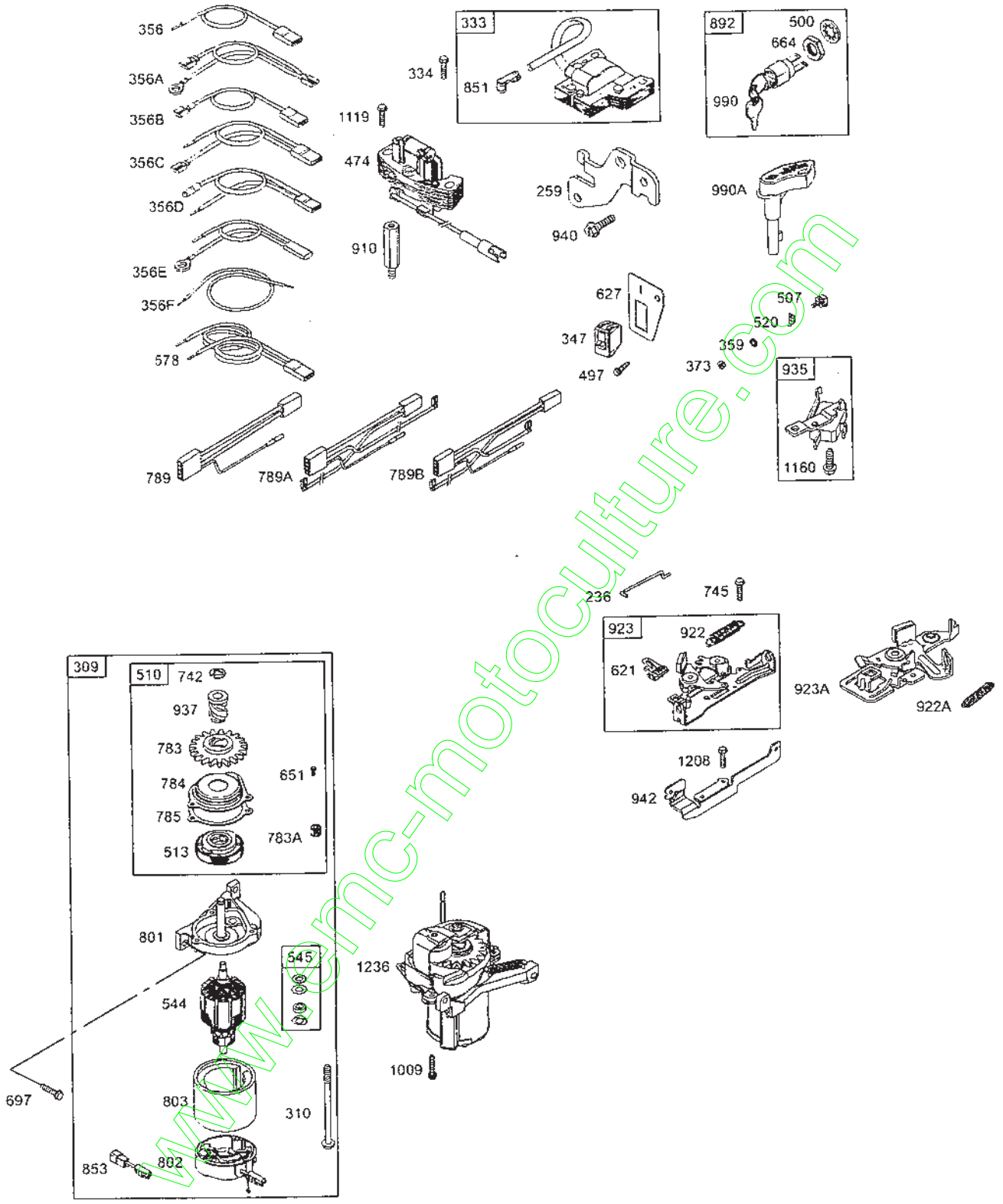
Assemblies include all parts shown in frames.

6C-712002



Illustrations cover a range of engines. Parts shown without corresponding text may not be used on your specific engine.
 0517-7 Assemblies include all parts shown in frames. 6C-7/2002

12F800



Illustrations cover a range of engines. Parts shown without corresponding text may not be used on your specific engine.
 0517-8 Assemblies include all parts shown in frames. 6C-7/2002

REF. NO.	PART NO.	DESCRIPTION	REF. NO.	PART NO.	DESCRIPTION	REF. NO.	PART NO.	DESCRIPTION
1	493260	Cylinder Assembly	5	691160	Head-Cylinder	12	★692232	Gasket-Crankcase
2	399269	Kit-Bushing/Seal (Magneto Side)	7	★Ø692249	Gasket-Cylinder Head	13	690912	Screw (Cylinder Head)
3	★299819	Seal-Oil (Magneto Side)	8	495786	Breather Assembly	15	691680	Plug-Oil Drain (Square Socket)
4	493279	Sump-Engine	9	★Ø272481	Gasket-Breather	15A	691093	Plug-Oil Drain (Hex Socket)
		———— Note ————	10	94650	Screw (Breather Assembly)			
		498983 Sump-Engine Used on Type No(s). 2026, 3116.	11	691781	Tube-Breather			
		696294 Sump-Engine Used on Type No(s). 1925, 2027, 2327, 2329, 2611, 2612, 2613, 3186.						
4A	493365	Sump-Engine (Auxiliary PTO)						

★ Included in Engine Gasket Set-Ref. No.358.

● Included in Carburetor Overhaul Kit-Ref. No. 121.

◆ Included in Carburetor Gasket Set-Ref. No. 977.

Ø Included in Valve Gasket Set-Ref. No 1095.

Illustrations cover a range of engines. Parts shown without corresponding text may not be used on your specific engine.

0517-9

Assemblies include all parts shown in frames.

6C-7/2002

12F800

REF. NO.	PART NO.	DESCRIPTION	REF. NO.	PART NO.	DESCRIPTION	REF. NO.	PART NO.	DESCRIPTION
16	691451	Crankshaft (Used After Code Date 97011200). Note 493362 Crankshaft (Used Before Code Date 97011300). 691450 Crankshaft (Used After Code Date 97011200). Used on Type No(s). 0600, 0808, 0820, 0833, 0835, 0838, 0840, 0841, 0842, 0852, 0863, 0876, 0884, 0890, 0906, 1108, 1110, 1147, 1149, 1154, 1159, 1160, 1162, 1163, 1173, 1174, 1188, 1191, 1312, 1508, 1523, 1524, 1557, 1558, 1560, 1569, 1573, 1700, 1908, 1976, 1985, 2006, 2011, 2021, 2308, 2310, 2373, 2374, 2608, 2611, 2612, 2613, 2623, 2624, 2625, 2925, 3112, 3180, 3185, 3186, 3187. 493282 Crankshaft (Used Before Code Date 97011300). Used on Type No(s). 0600, 0808, 0820, 0833, 0835, 0838, 0840, 0841, 0842, 0852, 0863, 0876, 0884, 0890, 0906, 1108, 1110, 1147, 1149, 1154, 1159, 1160, 1162, 1163, 1173, 1174, 1188, 1191, 1508, 1523, 1524, 1557, 1558, 1560, 1569, 1573, 1976. 691452 Crankshaft (Used After Code Date 99042500 and Before Code Date 99062500). Used on Type No(s). 1320.		691452	Crankshaft (Used After Code Date 97011200). Used on Type No(s). 0639, 0640, 0653, 0654, 0817, 0823, 0830, 0844, 0845, 0853, 0859, 0862, 0866, 0868, 0870, 0874, 0879, 0882, 0883, 0887, 0894, 0905, 0907, 0908, 0911, 0914, 0915, 0916, 0918, 1145, 1151, 1152, 1157, 1158, 1166, 1167, 1170, 1171, 1175, 1178, 1181, 1182, 1183, 1186, 1190, 1193, 1194, 1198, 1199, 1208, 1209, 1210, 1212, 1310, 1311, 1318, 1360, 1366, 1376, 1377, 1378, 1520, 1521, 1566, 1571, 1574, 1733, 1917, 1936, 1937, 1938, 1941, 1943, 1944, 1966, 1982, 2026, 2027, 2327, 2329, 2355, 2356, 2357, 2366, 2371, 2378, 2399, 2402, 2671, 2674, 3111, 3119, 3120, 3127, 3166, 3168, 3177, 3178. 694059 Crankshaft (Used Before Code Date 97011300). Used on Type No(s). 0639, 0640, 0817, 0823, 0830, 0844, 0845, 0853, 0859, 0862, 0866, 0868, 0870, 0874, 0879, 0882, 0883, 0887, 0894, 0907, 0908, 1145, 1151, 1152, 1157, 1158, 1166, 1167, 1170, 1171, 1175, 1178, 1181, 1182, 1183, 1186, 1190, 1194, 1310, 1311, 1366, 1376, 1377, 1520, 1521, 1566, 1571, 1574.		691454	Crankshaft Used on Type No(s). 0857, 0858, 0860, 0878, 0880, 1164, 1177, 1948, 1978, 1980, 3510, 3511. 691455 Crankshaft (Used After Code Date 97011200). Used on Type No(s). 0815, 0877, 0888, 1189, 1192, 1581, 1914, 1977, 2001, 2017, 2407, 2411, 2409, 2681, 2682, 2918. 691375 Crankshaft (Used Before Code Date 97011300). Used on Type No(s). 0815, 0877, 0888, 1189, 1581. 692980 Crankshaft (Used After Code Date 97011200). Used on Type No(s). 0650, 0667, 1750, 1767. 692005 Crankshaft (Used Before Code Date 97011300). Used on Type No(s). 0650, 0667, 1750. 692981 Crankshaft (Used After Code Date 97011200). Used on Type No(s). 1142. 692028 Crankshaft (Used Before Code Date 97011300). Used on Type No(s). 1142. 691482 Crankshaft Used on Type No(s). 3116. 694079 Crankshaft Used on Type No(s). 1769. 696009 Crankshaft Used on Type No(s). 1770.

- ★ Included in Engine Gasket Set—Ref. No.358.
- Included in Carburetor Overhaul Kit—Ref. No. 121.

- ◆ Included in Carburetor Gasket Set—Ref. No. 977.
- ⊗ Included in Valve Gasket Set—Ref. No 1095.

Illustrations cover a range of engines. Parts shown without corresponding text may not be used on your specific engine.
0517-10 Assemblies include all parts shown in frames. **6C-7/2002**

REF. NO.	PART NO.	DESCRIPTION	REF. NO.	PART NO.	DESCRIPTION	REF. NO.	PART NO.	DESCRIPTION
20	*399781	Seal-Oil (PTO Side)	25	499429	Piston Assembly (Standard) (Used After Code Date 97011200).	26	499425	Ring Set (Standard) (Used After Code Date 97011200).
20A	*691952	Seal-Oil (PTO Side) (Auxiliary PTO)			Note			Note
22	691092	Screw (Crankcase Cover/Sump)		493262	Piston Assembly (Standard) (Used Before Code Date 97011300).		493261	Ring Set (Standard) (Used Before Code Date 97011300).
23	692315	Flywheel (Rewind Start)		499430	Piston Assembly (.010" Oversize) (Used After Code Date 97011200).		499426	Ring Set (.010" Oversize) (Used After Code Date 97011200).
23A	691987	Flywheel (Electric Start) Note 691992 Flywheel (Electric Start) Used on Type No(s). 0645, 0817, 0882, 0883, 0905, 1189, 1192, 1570, 1571, 1580, 1581, 1914, 1917, 1982, 2001, 2017, 2026, 2325, 2356, 2403, 2404, 2405, 2407, 2671, 2681, 2682, 3116, 3181, 3182. 696291 Flywheel (Electric Start) Used on Type No(s). 1925, 2027, 2327, 2329, 2611, 2612, 2613, 3186.		493385	Piston Assembly (.010" Oversize) (Used Before Code Date 97011300).		493388	Ring Set (.010" Oversize) (Used Before Code Date 97011300).
				499431	Piston Assembly (.020" Oversize) (Used After Code Date 97011200).		499427	Ring Set (.020" Oversize) (Used After Code Date 97011200).
				493386	Piston Assembly (.020" Oversize) (Used Before Code Date 97011300).		493389	Ring Set (.020" Oversize) (Used Before Code Date 97011300).
				499432	Piston Assembly (.030" Oversize) (Used After Code Date 97011200).		499428	Ring Set (.030" Oversize) (Used After Code Date 97011200).
				493387	Piston Assembly (.030" Oversize) (Used Before Code Date 97011300).		493390	Ring Set (.030" Oversize) (Used Before Code Date 97011300).

* Included in Engine Gasket Set—Ref. No. 358.
 • Included in Carburetor Overhaul Kit—Ref. No. 121.

◆ Included in Carburetor Gasket Set—Ref. No. 977.
 ∅ Included in Valve Gasket Set—Ref. No. 1095.

Illustrations cover a range of engines. Parts shown without corresponding text may not be used on your specific engine.

12F800

REF. NO.	PART NO.	DESCRIPTION	REF. NO.	PART NO.	DESCRIPTION	REF. NO.	PART NO.	DESCRIPTION
27	691866	Lock-Piston Pin (Used After Code Date 97011200). ----- Note ----- 691588 Lock-Piston Pin (Used Before Code Date 67011300).	36	691270	Spring-Valve (Exhaust)	55	691421	Housing-Rewind Starter
28	499423	Pin-Piston (Standard) (Used After Code Date 97011200). ----- Note ----- 298909 Pin-Piston (Standard) (Used Before Code Date 97011300). 298908 Pin-Piston (.005" Oversize) (Used Before Code Date 97011300).	37	694086	Guard-Flywheel	55A	492831	Housing-Rewind Starter
29	499424	Rod-Connecting (Standard) (Used After Code Date 97011200). ----- Note ----- 490566 Rod-Connecting (Used Before Code Date 97011300). 490743 Rod-Connecting (.020" Undersize) (Used Before Code Date 97011300).	40	692194	Retainer-Valve	57	491889	Spring-Rewind Starter
32	691664	Screw (Connecting Rod)	43	691997	Slinger-Governor/Oil ----- Note ----- 691486 Slinger-Governor/Oil Used on Type No(s). 3116.	58	280399	Rope-Starter (Cut To Required Length)
32A	695759	Screw (Connecting Rod) (Used After Code Date 00042200).	45	690548	Tappet-Valve	59	396892	Insert-Grip
33	262651	Valve-Exhaust	46	691449	Camshaft (Used After Code Date 96060200). ----- Note ----- 492830 Camshaft (Used Before Code Date 96060300).	60	281434	Grip-Starter Rope (One Piece)
34	262652	Valve-Intake	46A	691459	Camshaft (Counterclockwise) (Used After Code Date 96060200). ----- Note ----- 493738 Camshaft (Counterclockwise) (Used Before Code Date 96060300).	60A	393152	Grip-Starter Rope (Two Piece)
35	691270	Spring-Valve (Intake)			65	690837	Screw (Rewind Starter)	
					73	691222	Screen-Rotating	
					73A	224527	Screen-Rotating	
					78	691108	Screw (Flywheel Guard)	
					81	691740	Lock-Muffler Screw	
					83	691778	Shaft-Auxiliary Drive ----- Note ----- 690522 Shaft-Auxiliary Drive Used on Type No(s). 1170, 2950, 2951. 690527 Shaft-Auxiliary Drive Used on Type No(s). 1141, 1172, 1516.	
					94	493765	Kit-Idle Mixture	
					95	691636	Screw (Throttle Valve)	
					97	493267	Shaft-Throttle ----- Note ----- 696565 Shaft-Throttle (Primer System) (Used After Code Date 01040800).	
					98	398185	Kit-Idle Speed (Carburetor)	
					98A	493280	Kit-Idle Speed (Control Bracket)	
					101	691623	Pin-Shaft	
					101A	262626	Pin-Shaft	

* Included in Engine Gasket Set-Ref. No. 358.
● Included in Carburetor Overhaul Kit-Ref. No. 121.

● Included in Carburetor Gasket Set-Ref. No. 977.
⊗ Included in Valve Gasket Set-Ref. No. 1095.

Illustrations cover a range of engines. Parts shown without corresponding text may not be used on your specific engine.
0517-12 Assemblies include all parts shown in frames. 6C-7/2002

REF. NO.	PART NO.	DESCRIPTION	REF. NO.	PART NO.	DESCRIPTION	REF. NO.	PART NO.	DESCRIPTION
104	●691242	Pin-Float Hinge						
108	691182	Valve-Choke						
109	494218	Shaft-Choke						
109A	498593	Shaft-Choke Used on Type No(s). 1910, 1914, 2001, 2017, 2026, 2403, 2404, 2405, 2407, 2681, 2682, 3116.	118	497315	Jet-Main (High Altitude) (Used After Code Date 96060200). ----- Note ----- 496495 Jet-Main (High Altitude) (Used After Code Date 95102900 and Before Code Date 96060300).	125	498170	Carburetor (Used After Code Date 96060200). ----- Note ----- 498254 Carburetor (Used Before Code Date 96060300).
117	494870	Jet-Main (Standard) (Used After Code Date 96060200). ----- Note ----- 497466 Jet-Main (Standard) (Used After Code Date 95102900 and Before Code Date 96060300). 497315 Jet-Main (Standard) (Used Before Code Date 95103000).	118A	498981	Jet-Main (High Altitude) (Used After Code Date 96060200). ----- Note ----- 496063 Jet-Main (High Altitude) (Used Before Code Date 96060300). 498975 Jet-Main (High Altitude) Used on Type No(s). 1910, 1914, 2001, 2017, 2026, 2403, 2404, 2405, 2407, 2681, 2682, 3116.	125A	498965	Carburetor (Used After Code Date 96060200). ----- Note ----- 499059 Carburetor (Used After Code Date 96060200). Used on Type No(s). 1910, 1914, 2001, 2017, 2026, 2403, 2404, 2405, 2407, 2681, 2682, 3116. 494217 Carburetor (Used Before Code Date 96060300).
117A	498977	Jet-Main (Standard) (Used After Code Date 96060200). ----- Note ----- 493637 Jet-Main (Standard) (Used Before Code Date 96060300). 498978 Jet-Main (Standard) Used on Type No(s). 1910, 1914, 2001, 2017, 2026, 2403, 2404, 2405, 2407, 2681, 2682, 3116.	121	498260	Kit-Carburetor Overhaul	127	●694468	Plug-Welch
						130	691203	Valve-Throttle Used on Type No(s). 1910, 1914, 2001, 2017, 2026, 2403, 2404, 2405, 2407, 2681, 2682, 3116. ----- Note ----- 696564 Valve-Throttle (Primer System) (Used After Code Date 01040800).
						130A	691181	Valve-Throttle
						133	398187	Float-Carburetor
						134	●398188	Kit-Needle/Seat
						137	●●693981	Gasket-Float Bowl

★ Included in Engine Gasket Set-Ref. No. 358.
● Included in Carburetor Overhaul Kit-Ref. No. 121.

● Included in Carburetor Gasket Set-Ref. No. 977.
⊗ Included in Valve Gasket Set-Ref. No. 1095.

Illustrations cover a range of engines. Parts shown without corresponding text may not be used on your specific engine.
0517-13 Assemblies include all parts shown in frames. 6C-7/2002

12F800

REF. NO.	PART NO.	DESCRIPTION	REF. NO.	PART NO.	DESCRIPTION	REF. NO.	PART NO.	DESCRIPTION
144	493824	Pulley/Spring Assembly		691290	Spring-Governor	209A	691835	Spring-Governor
146	690979	Key-Timing			Used on Type No(s). 1910, 1914, 2026.			Note
159	691753	Bracket-Air Cleaner Primer		691291	Spring-Governor			690568 Spring-Governor
163	272653	Gasket-Air Cleaner			Used on Type No(s). 0848, 0878, 0880, 0890, 1189, 1733, 1948, 1978, 1980.			Used on Type No(s). 1192.
187	691050	Line-Fuel (Cut to Required Length)			Used on Type No(s). 0600, 0610, 0625, 0630, 0632, 0639, 0640, 0808, 0817, 0821, 0823, 0826, 0829, 0836, 0839, 0853, 0883, 0899, 0909, 1108, 1119, 1128, 1141, 1145, 1148, 1152, 1153, 1156, 1172, 1199, 1313, 1315, 1508, 1516, 1521, 1574, 1700, 1725, 1732, 1908, 1915, 1917, 1943, 1999, 2009, 2022, 2308, 2319, 2353, 2409, 2608, 2674, 2684, 3113, 3115, 3187.			691275 Spring-Governor
		Note			Used on Type No(s). 0853, 2612, 2613.			Used on Type No(s). 0833, 0835, 1110, 1173, 1174, 1581.
		296004 Line-Fuel (Cut to Required Length)			Used on Type No(s). 0600, 0610, 0625, 0630, 0632, 0639, 0640, 0808, 0817, 0821, 0823, 0826, 0829, 0836, 0839, 0853, 0883, 0899, 0909, 1108, 1119, 1128, 1141, 1145, 1148, 1152, 1153, 1156, 1172, 1199, 1313, 1315, 1508, 1516, 1521, 1574, 1700, 1725, 1732, 1908, 1915, 1917, 1943, 1999, 2009, 2022, 2308, 2319, 2353, 2409, 2608, 2674, 2684, 3113, 3115, 3187.			691833 Spring-Governor
187A	691371	Line-Fuel (Molded)			Used on Type No(s). 0600, 0610, 0625, 0630, 0632, 0639, 0640, 0808, 0817, 0821, 0823, 0826, 0829, 0836, 0839, 0853, 0883, 0899, 0909, 1108, 1119, 1128, 1141, 1145, 1148, 1152, 1153, 1156, 1172, 1199, 1313, 1315, 1508, 1516, 1521, 1574, 1700, 1725, 1732, 1908, 1915, 1917, 1943, 1999, 2009, 2022, 2308, 2319, 2353, 2409, 2608, 2674, 2684, 3113, 3115, 3187.			Used on Type No(s). 0837, 0841, 0869, 1176.
187B	692042	Line-Fuel (Includes Filter)			Used on Type No(s). 0600, 0610, 0625, 0630, 0632, 0639, 0640, 0808, 0817, 0821, 0823, 0826, 0829, 0836, 0839, 0853, 0883, 0899, 0909, 1108, 1119, 1128, 1141, 1145, 1148, 1152, 1153, 1156, 1172, 1199, 1313, 1315, 1508, 1516, 1521, 1574, 1700, 1725, 1732, 1908, 1915, 1917, 1943, 1999, 2009, 2022, 2308, 2319, 2353, 2409, 2608, 2674, 2684, 3113, 3115, 3187.			691834 Spring-Governor
187C	696292	Line-Fuel (Molded)			Used on Type No(s). 0600, 0610, 0625, 0630, 0632, 0639, 0640, 0808, 0817, 0821, 0823, 0826, 0829, 0836, 0839, 0853, 0883, 0899, 0909, 1108, 1119, 1128, 1141, 1145, 1148, 1152, 1153, 1156, 1172, 1199, 1313, 1315, 1508, 1516, 1521, 1574, 1700, 1725, 1732, 1908, 1915, 1917, 1943, 1999, 2009, 2022, 2308, 2319, 2353, 2409, 2608, 2674, 2684, 3113, 3115, 3187.			Used on Type No(s). 0822, 1188.
		Note			Used on Type No(s). 0600, 0610, 0625, 0630, 0632, 0639, 0640, 0808, 0817, 0821, 0823, 0826, 0829, 0836, 0839, 0853, 0883, 0899, 0909, 1108, 1119, 1128, 1141, 1145, 1148, 1152, 1153, 1156, 1172, 1199, 1313, 1315, 1508, 1516, 1521, 1574, 1700, 1725, 1732, 1908, 1915, 1917, 1943, 1999, 2009, 2022, 2308, 2319, 2353, 2409, 2608, 2674, 2684, 3113, 3115, 3187.			690569 Spring-Governor
		698164 Line-Fuel (Molded)			Used on Type No(s). 0600, 0610, 0625, 0630, 0632, 0639, 0640, 0808, 0817, 0821, 0823, 0826, 0829, 0836, 0839, 0853, 0883, 0899, 0909, 1108, 1119, 1128, 1141, 1145, 1148, 1152, 1153, 1156, 1172, 1199, 1313, 1315, 1508, 1516, 1521, 1574, 1700, 1725, 1732, 1908, 1915, 1917, 1943, 1999, 2009, 2022, 2308, 2319, 2353, 2409, 2608, 2674, 2684, 3113, 3115, 3187.			Used on Type No(s). 0637, 0638, 0645, 0818, 0819, 0918, 1159, 1210, 1212, 1941, 1944, 2329, 2357, 2377, 2378, 3168.
188	690877	Screw (Control Bracket)			Used on Type No(s). 0600, 0610, 0625, 0630, 0632, 0639, 0640, 0808, 0817, 0821, 0823, 0826, 0829, 0836, 0839, 0853, 0883, 0899, 0909, 1108, 1119, 1128, 1141, 1145, 1148, 1152, 1153, 1156, 1172, 1199, 1313, 1315, 1508, 1516, 1521, 1574, 1700, 1725, 1732, 1908, 1915, 1917, 1943, 1999, 2009, 2022, 2308, 2319, 2353, 2409, 2608, 2674, 2684, 3113, 3115, 3187.			691276 Spring-Governor
190	690940	Screw (Fuel Tank)			Used on Type No(s). 0600, 0610, 0625, 0630, 0632, 0639, 0640, 0808, 0817, 0821, 0823, 0826, 0829, 0836, 0839, 0853, 0883, 0899, 0909, 1108, 1119, 1128, 1141, 1145, 1148, 1152, 1153, 1156, 1172, 1199, 1313, 1315, 1508, 1516, 1521, 1574, 1700, 1725, 1732, 1908, 1915, 1917, 1943, 1999, 2009, 2022, 2308, 2319, 2353, 2409, 2608, 2674, 2684, 3113, 3115, 3187.			Used on Type No(s). 0892, 0917.
202	691829	Link-Mechanical Governor			Used on Type No(s). 0600, 0610, 0625, 0630, 0632, 0639, 0640, 0808, 0817, 0821, 0823, 0826, 0829, 0836, 0839, 0853, 0883, 0899, 0909, 1108, 1119, 1128, 1141, 1145, 1148, 1152, 1153, 1156, 1172, 1199, 1313, 1315, 1508, 1516, 1521, 1574, 1700, 1725, 1732, 1908, 1915, 1917, 1943, 1999, 2009, 2022, 2308, 2319, 2353, 2409, 2608, 2674, 2684, 3113, 3115, 3187.			262663 Spring-Governor
209	691292	Spring-Governor			Used on Type No(s). 0600, 0610, 0625, 0630, 0632, 0639, 0640, 0808, 0817, 0821, 0823, 0826, 0829, 0836, 0839, 0853, 0883, 0899, 0909, 1108, 1119, 1128, 1141, 1145, 1148, 1152, 1153, 1156, 1172, 1199, 1313, 1315, 1508, 1516, 1521, 1574, 1700, 1725, 1732, 1908, 1915, 1917, 1943, 1999, 2009, 2022, 2308, 2319, 2353, 2409, 2608, 2674, 2684, 3113, 3115, 3187.			Used on Type No(s). 0642, 0644, 0911.
		Note			Used on Type No(s). 0600, 0610, 0625, 0630, 0632, 0639, 0640, 0808, 0817, 0821, 0823, 0826, 0829, 0836, 0839, 0853, 0883, 0899, 0909, 1108, 1119, 1128, 1141, 1145, 1148, 1152, 1153, 1156, 1172, 1199, 1313, 1315, 1508, 1516, 1521, 1574, 1700, 1725, 1732, 1908, 1915, 1917, 1943, 1999, 2009, 2022, 2308, 2319, 2353, 2409, 2608, 2674, 2684, 3113, 3115, 3187.			
		691851 Spring-Governor			Used on Type No(s). 0600, 0610, 0625, 0630, 0632, 0639, 0640, 0808, 0817, 0821, 0823, 0826, 0829, 0836, 0839, 0853, 0883, 0899, 0909, 1108, 1119, 1128, 1141, 1145, 1148, 1152, 1153, 1156, 1172, 1199, 1313, 1315, 1508, 1516, 1521, 1574, 1700, 1725, 1732, 1908, 1915, 1917, 1943, 1999, 2009, 2022, 2308, 2319, 2353, 2409, 2608, 2674, 2684, 3113, 3115, 3187.			
		Used on Type No(s). 0820, 0838, 0842, 0843, 0847, 0875, 0876, 0906, 0910, 0919, 1147, 1160, 1175, 1187, 1191, 1312, 1317, 1379, 1520, 1559, 1560, 1562, 1568, 1573, 1911, 1912, 1918, 1925, 1940, 1975, 1976, 2001, 2006, 2010, 2011, 2013, 2021, 2310, 2373, 2374, 2403, 2404, 2405, 3112, 3117, 3118, 3120, 3179, 3180, 3183, 3184, 3185, 3186.			Used on Type No(s). 0600, 0610, 0625, 0630, 0632, 0639, 0640, 0808, 0817, 0821, 0823, 0826, 0829, 0836, 0839, 0853, 0883, 0899, 0909, 1108, 1119, 1128, 1141, 1145, 1148, 1152, 1153, 1156, 1172, 1199, 1313, 1315, 1508, 1516, 1521, 1574, 1700, 1725, 1732, 1908, 1915, 1917, 1943, 1999, 2009, 2022, 2308, 2319, 2353, 2409, 2608, 2674, 2684, 3113, 3115, 3187.			
		691852 Spring-Governor			Used on Type No(s). 0600, 0610, 0625, 0630, 0632, 0639, 0640, 0808, 0817, 0821, 0823, 0826, 0829, 0836, 0839, 0853, 0883, 0899, 0909, 1108, 1119, 1128, 1141, 1145, 1148, 1152, 1153, 1156, 1172, 1199, 1313, 1315, 1508, 1516, 1521, 1574, 1700, 1725, 1732, 1908, 1915, 1917, 1943, 1999, 2009, 2022, 2308, 2319, 2353, 2409, 2608, 2674, 2684, 3113, 3115, 3187.			
		Used on Type No(s). 1210, 1212, 1380, 1381, 1770, 1941, 1944, 2329, 2357, 2375, 2376, 2377, 2378, 3128, 3181, 3168.			Used on Type No(s). 0600, 0610, 0625, 0630, 0632, 0639, 0640, 0808, 0817, 0821, 0823, 0826, 0829, 0836, 0839, 0853, 0883, 0899, 0909, 1108, 1119, 1128, 1141, 1145, 1148, 1152, 1153, 1156, 1172, 1199, 1313, 1315, 1508, 1516, 1521, 1574, 1700, 1725, 1732, 1908, 1915, 1917, 1943, 1999, 2009, 2022, 2308, 2319, 2353, 2409, 2608, 2674, 2684, 3113, 3115, 3187.			
		690241 Spring-Governor			Used on Type No(s). 0600, 0610, 0625, 0630, 0632, 0639, 0640, 0808, 0817, 0821, 0823, 0826, 0829, 0836, 0839, 0853, 0883, 0899, 0909, 1108, 1119, 1128, 1141, 1145, 1148, 1152, 1153, 1156, 1172, 1199, 1313, 1315, 1508, 1516, 1521, 1574, 1700, 1725, 1732, 1908, 1915, 1917, 1943, 1999, 2009, 2022, 2308, 2319, 2353, 2409, 2608, 2674, 2684, 3113, 3115, 3187.			
		Used on Type No(s). 3116.			Used on Type No(s). 0600, 0610, 0625, 0630, 0632, 0639, 0640, 0808, 0817, 0821, 0823, 0826, 0829, 0836, 0839, 0853, 0883, 0899, 0909, 1108, 1119, 1128, 1141, 1145, 1148, 1152, 1153, 1156, 1172, 1199, 1313, 1315, 1508, 1516, 1521, 1574, 1700, 1725, 1732, 1908, 1915, 1917, 1943, 1999, 2009, 2022, 2308, 2319, 2353, 2409, 2608, 2674, 2684, 3113, 3115, 3187.			
		693187 Spring-Governor			Used on Type No(s). 0600, 0610, 0625, 0630, 0632, 0639, 0640, 0808, 0817, 0821, 0823, 0826, 0829, 0836, 0839, 0853, 0883, 0899, 0909, 1108, 1119, 1128, 1141, 1145, 1148, 1152, 1153, 1156, 1172, 1199, 1313, 1315, 1508, 1516, 1521, 1574, 1700, 1725, 1732, 1908, 1915, 1917, 1943, 1999, 2009, 2022, 2308, 2319, 2353, 2409, 2608, 2674, 2684, 3113, 3115, 3187.			
		Used on Type No(s). 2681, 2682, 2407.						

★ Included in Engine Gasket Set-Ref. No.358.

● Included in Carburetor Overhaul Kit-Ref. No. 121.

◆ Included in Carburetor Gasket Set-Ref. No. 977.

⊘ Included in Valve Gasket Set-Ref. No 1095.

Illustrations cover a range of engines. Parts shown without corresponding text may not be used on your specific engine.

0517-14

Assemblies include all parts shown in frames.

6C-7/2002

REF. NO.	PART NO.	DESCRIPTION	REF. NO.	PART NO.	DESCRIPTION	REF. NO.	PART NO.	DESCRIPTION
217	690354	Spring-choke Return	268	691025	Casing-Control Wire (72" Long) (Cut to Required Length)	304	493293	Housing-Blower ----- Note ----- 493294 Housing-Blower
222	692031	Bracket-Control (Remote/Manual Friction)(Primer)						Used on Type No(s). 0645, 0653, 0817, 0837, 0841, 0842, 0843, 0847, 0859, 0862, 0869, 0875, 0879, 0882, 0883, 0905, 0906, 0908, 0910, 0917, 0919, 1160, 1161, 1162, 1167, 1175, 1176, 1177, 1178, 1181, 1182, 1186, 1187, 1189, 1191, 1192, 1198, 1199, 1312, 1314, 1360, 1379, 1524, 1558, 1559, 1560, 1562, 1568, 1570, 1571, 1573, 1580, 1581, 1733, 1910, 1914, 1917, 1918, 1940, 1943, 1975, 1982, 2001, 2006, 2010, 2013, 2017, 2023, 2026, 2325, 2356, 2403, 2404, 2405, 2407, 2624, 2625, 2671, 2681, 2682, 3110, 3112, 3116, 3117, 3120, 3179, 3180, 3181, 3182, 3184, 695892 Housing-Blower
222A	692021	Bracket-Control (Remote Choke A Matic, Non Compliance)			----- Note ----- 691072 Casing-Control Wire (48" Long) (Cut to Required Length)			Used on Type No(s). 0645, 0653, 0817, 0837, 0841, 0842, 0843, 0847, 0859, 0862, 0869, 0875, 0879, 0882, 0883, 0905, 0906, 0908, 0910, 0917, 0919, 1160, 1161, 1162, 1167, 1175, 1176, 1177, 1178, 1181, 1182, 1186, 1187, 1189, 1191, 1192, 1198, 1199, 1312, 1314, 1360, 1379, 1524, 1558, 1559, 1560, 1562, 1568, 1570, 1571, 1573, 1580, 1581, 1733, 1910, 1914, 1917, 1918, 1940, 1943, 1975, 1982, 2001, 2006, 2010, 2013, 2017, 2023, 2026, 2325, 2356, 2403, 2404, 2405, 2407, 2624, 2625, 2671, 2681, 2682, 3110, 3112, 3116, 3117, 3120, 3179, 3180, 3181, 3182, 3184, 695892 Housing-Blower
222C	692150	Bracket-Control (Remote/Manual Friction) (Variable Speed and 5 Position Manual Choke)	269	691026	Wire-Control (78" Long) (Cut to Required Length)			Used on Type No(s). 1925, 2027, 2327, 2329, 2611, 2612, 2613, 3186.
222D	692467	Bracket-Control (Remote/Manual Friction) (Variable Speed and 5 Position Manual Choke, Without Stopswitch)			----- Note ----- 691589 Wire-Control (54" Long) (Cut to Required Length)			
222E	692982	Bracket-Control (Fixed Speed and 5 Position Manual Choke)	270	691027	Nut (Control Wire Casing)			
227	690783	Lever-Governor Control	271	691028	Lever-Control			
236	262461	Link-Lockout	276	271716	Washer-Sealing			
240	298090	Filter-Fuel	276A	280973	Washer-Sealing (Pawl Friction Plate)			
259	691223	Bracket-Casing Clamp	287	690940	Screw (Dipstick Tube)			
265	690798	Clamp-Casing	300	496106	Muffler (Tuned)			
265A	691024	Clamp-Casing	300A	494343	Muffler (Square Lo Tone)			
267	691044	Screw (Casing Clamp)	300B	497681	Muffler (Catalyst)			

* Included in Engine Gasket Set-Ref. No.358.

● Included in Carburetor Overhaul Kit-Ref. No. 121.

● Included in Carburetor Gasket Set-Ref. No. 977.

⊗ Included in Valve Gasket Set-Ref. No 1095.

Illustrations cover a range of engines. Parts shown without corresponding text may not be used on your specific engine.

0517-15

Assemblies include all parts shown in frames.

6C-7/2002

12F800

REF. NO.	PART NO.	DESCRIPTION	REF. NO.	PART NO.	DESCRIPTION	REF. NO.	PART NO.	DESCRIPTION
305	691108	Screw (Blower Housing)	455	695161	Cup-Flywheel	613	691340	Screw (Muffler)
306	690450	Shield-Cylinder	456	692299	Plate-Pawl Friction	613A	691653	Screw (Muffler)
307	690345	Screw (Cylinder Shield)	456A	224321	Plate-Pawl Friction	613B	691114	Screw (Muffler)
309	695550	Motor-Starter (Used After Code Date 00040600).	459	281505	Pawl-Ratchet	615	690340	Retainer-Governor Shaft
		Note	459A	492833	Pawl-Ratchet	616	691308	Crank-Governor
		691376 Motor-Starter (Used Before Code Date 00040700).	474	691991	Alternator	617	270344	Seal-O Ring (Intake Manifold)
310	692327	Bolt (Starter Motor)	497	690664	Screw (Stopswitch Bracket)	621	692310	Switch-Stop
322	690662	Nut (Flywheel)	500	691086	Washer (Key Switch)	627	692872	Bracket-Stopswitch
332	690662	Nut (Flywheel)	505	691251	Nut (Governor Control Lever)	633	691321	Seal-Choke/Throttle Shaft
333	802574	Armature-Magneto	507	691972	Insulator	633A	693867	Seal-Choke/Throttle Shaft Used on Type No(s). 1910, 1914, 2001, 2017, 2026, 2403, 2404, 2407, 2681, 2682, 3116.
334	691061	Screw (Magneto Armature)	510	494147	Drive-Starter	635	66538	Boot-Spark Plug
337	802592	Plug-Spark	513	692358	Clutch-Drive	651	93490	Screw (Starter Gear Cover)
346	690661	Screw (Spark Arrestor)	520	691084	Terminal-Ground	664	691087	Nut (Key Switch)
347	691396	Switch-Rocker	523	495264	Dipstick	668	493823	Spacer (Includes 2)
356	692390	Wire-Stop	524	692296	Seal-Dipstick Tube	670	692294	Spacer-Fuel Tank
356A	690650	Wire-Stop	525	495265	Tube-Dipstick	676	396548	Deflector-Muffler (Louvered)
356B	693010	Wire-Stop	529	691923	Grommet	676A	393756	Deflector-Muffler (Side Out) (Shallow)
356C	690808	Wire-Stop	544	690786	Armature-Starter	676B	397931	Deflector-Muffler (Direct Out)
356D	496381	Wire-Stop	545	492919	Washer Set (Starter Motor)	676C	493871	Deflector-Muffler (Side Out) (Extended) (Horseshoe)
358	497316	Gasket Set-Engine	562	92613	Bolt (Governor Control Lever)	676D	497682	Deflector-Muffler (For TUV)
359	691077	Washer (Ground Terminal)	564	690664	Screw (Control Cover)	677	690661	Screw (Muffler Deflector)
363	19069	Pulley-Flywheel	564A	691142	Screw (Control Cover)	678	224278	Spacer-Rewind
365	692524	Screw (Carburetor)	578	398153	Wire Assembly			
373	691612	Nut (Ground Terminal)	584	692342	Cover-Breather Passage			
374	691074	Washer (Camshaft)	585	691879	Gasket-Breather Passage			
383	89838	Wrench-Spark Plug	592	690800	Nut (Rewind Starter)			
404	690272	Washer (Governor Crank)	597	691696	Screw (Pawl Friction Plate)			
425A	690670	Screw (Air Cleaner Cover)	601	95162	Clamp-Hose (Green)			
443A	692523	Screw (Air Cleaner Primer Base)	601A	691038	Clamp-Hose (Black)			
445A	491588	Filter-Air Cleaner Cartridge	604	691757	Cover-Control			
			604A	691344	Cover-Control			
			608	497680	Starter-Rewind			
			608A	497598	Starter-Rewind			

* Included in Engine Gasket Set-Ref. No.358.

• Included in Carburetor Overhaul Kit-Ref. No. 121.

◆ Included in Carburetor Gasket Set-Ref. No. 977.

∅ Included in Valve Gasket Set-Ref. No 1095.

Illustrations cover a range of engines. Parts shown without corresponding text may not be used on your specific engine.

0517-16

Assemblies include all parts shown in frames.

6C-7/2002

REF. NO.	PART NO.	DESCRIPTION	REF. NO.	PART NO.	DESCRIPTION	REF. NO.	PART NO.	DESCRIPTION
684	690345	Screw (Breather Passage Cover)	789B	494544	Harness-Wiring ----- Note ----- 696547 Harness-Wiring	871	262001	Bushing-Valve Guide (Exhaust) ----- Note -----
689	691855	Spring-Friction						63709 Bushing-Valve Guide (Intake)
689A	262625	Spring-Friction (Rewind Starter)			Used on Type No(s). 0644, 0654, 0918, 1209, 1210, 1212, 1324, 1936, 1944, 2377, 3127, 3510.			883 *Ø691881 Gasket-Exhaust
692	690572	Spring-Detent						892 690646 Switch-Key
697	691127	Screw (Drive Cap)						910 691094 Stud (Alternator)
715	691693	Screw (Shaft Stop)	801	690782	Cap-Drive			921 497233 Cover-Blower Housing (Red)
721	690449	Stop-Shaft	802	695267	Cap-End (Used After Code Date 00040600).			921A 695886 Cover-Blower Housing (Black)
741	691830	Gear-Timing			----- Note ----- 695975 Cap-End (Used Before Code Date 00040700).			921B 692931 Cover-Blower Housing (Black) ----- Note -----
742	93941	Retainer-E Ring						692932 Cover-Blower Housing (Red)
743	691772	Gear-Drive (Counterclockwise) ----- Note ----- 690516 Gear-Drive (Clockwise) Used on Type No(s). 0860, 2950.	803	695266	Housing-Starter (Used After Code Date 00040600). ----- Note ----- 695975 Housing-Starter (Used Before Code Date 00040700).			921E 696262 Cover-Blower Housing (Black)
745	691648	Screw (Brake)						922 691831 Spring-Brake ----- Note -----
776	396526	Guide-Rope						692135 Spring-Brake Used on Type No(s). 2411.
783	691918	Gear-Pinion (Starter)	832	499034	Guard-Muffler			923 691994 Brake ----- Note -----
783A	691269	Gear-Pinion	832A	691424	Guard-Muffler			695891 Brake Used on Type No(s). 2411.
784	692341	Cover-Starter Gear	832B	497683	Guard-Muffler			
785	692352	Gasket-Starter Cover	836	690664	Screw (Muffler Guard)			
789	695551	Harness-Wiring (Used After Code Date 00040600). ----- Note ----- 690790 Harness-Wiring (Used Before Code Date 00040700). 696546 Harness-Wiring Used on Type No(s). 2405.	836A	690661	Screw (Muffler Guard)			
			836B	691147	Screw (Muffler Guard) Used on Type No(s). 0915, 1194, 1318.			
			842	*691031	Seal-O Ring (Dipstick Tube)			
			843	691884	Sleeve-Lever (Speed Control)			
			843A	691895	Sleeve-Lever (Choke)			
789A	695552	Harness-Wiring (Used After Code Date 00040600). ----- Note ----- 691372 Harness-Wiring (Used Before Code Date 00040700).	847	692017	Dipstick/Tube Assembly			
			851	493880	Terminal-Spark Plug			
			853	695268	Adapter-Wire			
			869	691155	Seat-Valve (Intake)			
			870	690380	Seat-Valve (Exhaust)			
								930 691919 Guard-Rewind (Round)
								930A 691345 Guard-Rewind (Tear Drop)
								930C 690598 Guard-Rewind (Trim Ring)
								935 499421 Switch-Interlock (Used After Code Date 92100600). ----- Note -----
								398758 Switch-Interlock (Used Before Code Date 92100700).
								937 691325 Spline-Starter

* Included in Engine Gasket Set-Ref. No.358.
 • Included in Carburetor Overhaul Kit-Ref. No. 121.

◆ Included in Carburetor Gasket Set-Ref. No. 977.
 Ø Included in Valve Gasket Set-Ref. No 1095.

Illustrations cover a range of engines. Parts shown without corresponding text may not be used on your specific engine.
 0517-17 Assemblies include all parts shown in frames. 6C-7/2002

12F800

REF. NO.	PART NO.	DESCRIPTION	REF. NO.	PART NO.	DESCRIPTION	REF. NO.	PART NO.	DESCRIPTION
940	691004	Screw (Casing Clamp Bracket)	977	498261	Gasket Set—Carburetor	1058	275177	Owner's Manual
946	691738	Stop—Rope	990	691959	Key Set			Note
957	397974	Cap—Fuel Tank (Plastic)	990A	695951	Key Set (Touch N Mow)			274940 Owner's Manual (Touch N Mow)
958	494768	Valve—Fuel Shut Off (Plastic)	994	398067	Arrestor—Spark	1059	692311	Kit—Screw/Washer
966A	496116	Base—Air Cleaner Primer	994A	692957	Arrestor—Spark	1095	498528	Gasket Set—Valve
967A	493537	Filter—Pre Cleaner	1009	696255	Screw (Starter Motor)	1102	691255	Pilot—Guide
968B	692298	Cover—Air Cleaner	1019	494256	Kit—Label	1119	691648	Screw (Alternator)
969	690700	Screw (Blower Housing Cover)	1036	695111	Label—Emission (Used After Code Date 99093000).	1134	224322	Washer (Pawl Friction Plate)
969A	691138	Screw (Blower Housing Cover)			Note	1160	691627	Screw (Interlock Switch)
970	691669	Screw (Air Cleaner Primer Bracket)			697378 Label— Emission (Used on D1 Trim Engines Only)	1210	498144	Pulley/Spring Assembly (Pulley)
972B	495224	Tank—Fuel (Plastic)			694458 Label— Emission (Used After Code Date 98123100 and Before Code Date 99100100).	1211	498144	Pulley/Spring Assembly (Spring)
		Note			499341 Label— Emission (Used After Code Date 97012000 and Before Code Date 99010100).	1236	695959	Starter—Mechanical (Touch N Mow) (Do Not Service Individual Parts, Only As A Whole)
975	493640	Bowl—Float			499340 Label— Emission (Used Before Code Date 97012100).			
976	694395	Primer—Carburetor (Used After Code Date 99051200).						
		Note						
		496115 Primer— Carburetor (Used Before Code Date 99051300).						

* Included in Engine Gasket Set—Ref. No.358.

● Included in Carburetor Overhaul Kit—Ref. No. 121.

◆ Included in Carburetor Gasket Set—Ref. No. 977.

∅ Included in Valve Gasket Set—Ref. No 1095.

Illustrations cover a range of engines. Parts shown without corresponding text may not be used on your specific engine.

0517-18

Assemblies include all parts shown in frames.

6C-7/2002



**Yvan Béal - 21, av. de l'Agriculture - B.P. 16
Z.I. du Brézet - 63014 Clermont-Ferrand Cedex 2
Tél : 04 73 91 93 51 - Télécopie : 04 73 90 23 11
www.yvanbeal.fr - E-mail : info@yvanbeal.fr
R.C.S. Clermont-Fd B 304 973 886 - S.A.S. au capital de 612 000 €**