



Pièces détachées

Tondeuse à conducteur Marchant

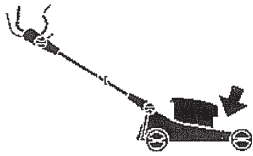
ADVANCE 50M



Yves Béal 21, Av. de l'Agriculture - B.P. 10
Z.I. du Bécou 63314 Clermont-Ferrand Cedex 2
Tél : 04 73 91 93 51 Téléphone : 04 73 90 23 11
www.yvesbeal.fr Email : info@yvesbeal.fr
R.C. B 304 973 886 - SIREN 304 973 886

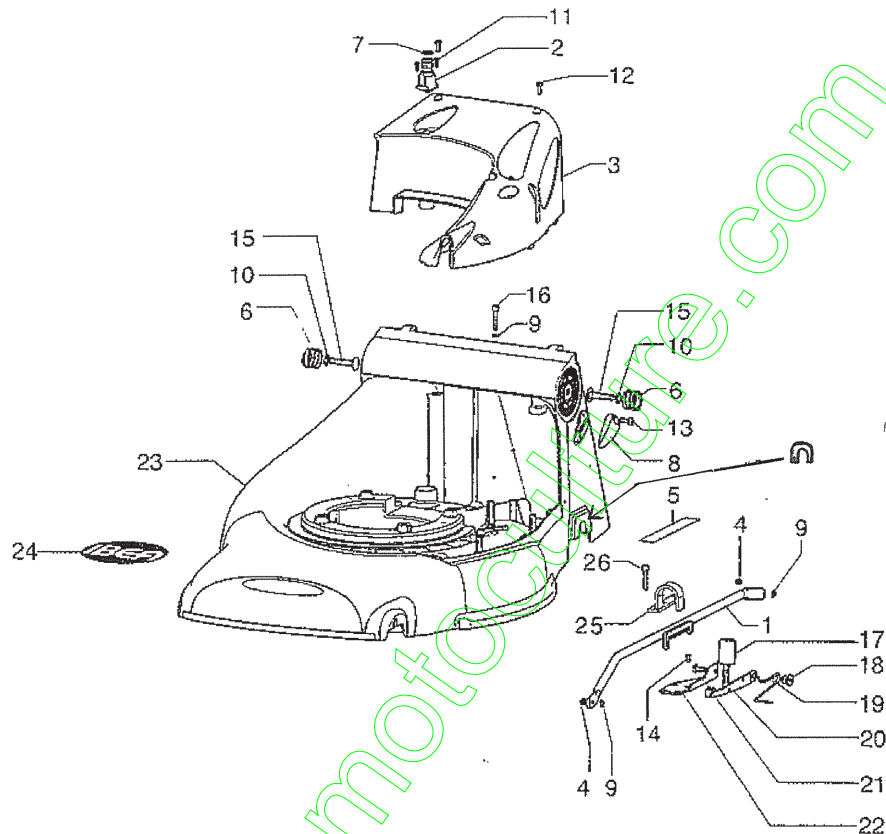
03-000257-050329

Tav. 1



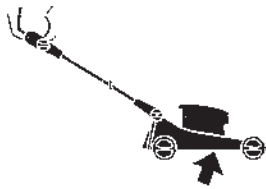
Châssis - Réglage hauteur de coupe

Mod. 55029B



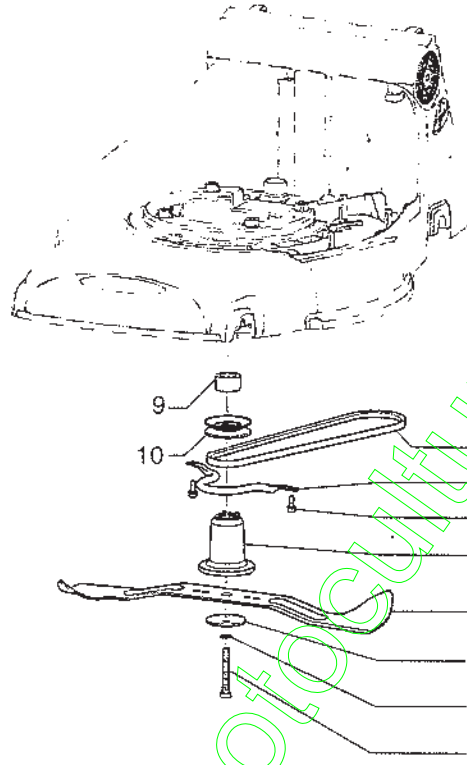
REF. N°	PART. N°	QTY	DESCRIZIONE	DESCRIPTION	DESCRIPTION	BESCHREIBUNG
1	P306030028	1	ASTA DI COLLEGAMENTO	ROD	TIGE	STANGE
2	P2020485	1	ATTACCO ACQUA	FITTING WASHOUT	ATELAGE	KUPPLUNG
3	P3060194	1	CARTER CINGHIA	BELT HOUSING	CARTER DE COURROIE	KEILRIEMEN GEHÄUSE
4	1050002A1	2	DADO	NUT	ÉCROU	MUTTER
5	P5140859	1	DECALCO ALTEZZA TAGLIO	CUTTING HEIGHT DECAL	AUTOCOLLANT HAUT. COUPE	AUFKLEBER SCHNITTHÖHE
6	P3020071	2	MOLLA ATTACCO STEGOLA	SPRING	RESSORT	FEDER
7	P3170041	1	O-RING	O-RING	JOINT TORIQUE	GUMMIRING
8	P3050146VE	1	PRESSACAVO	CLAMP	COLLIER	RAPBAND
9	P1020168	3	ROSETTA ELASTICA	WASHER	RONDELLE	FEDERSCHEIBE
10	P1060020	2	STARLOCK	STARLOCK	STARLOCK	STARLOCK
11	P1010231	2	VITE	SCREW	VIS	SCHRAUBE
12	P1010330	6	VITE	SCREW	VIS	SCHRAUBE
13	P1010327	1	VITE	SCREW	VIS	SCHRAUBE
14	P1010328	2	VITE	SCREW	VIS	SCHRAUBE
15	1010026A1	2	VITE	SCREW	VIS	SCHRAUBE
16	P1010338	1	VITE	SCREW	VIS	SCHRAUBE
17	P2020479	1	PULSANTE	BUTTON	BOUTON	DRÜCKKNOPF
18	P3040579ZT	1	PERNO MOLLA	SPRING PIN	GOUPILLE RESSORT	STIFT FEDER
19	P3020058	1	MOLLA	SPRING	RESSORT	FEDER
20	P3060207	1	LEVA PULSANTE	LEVER	LEVIER	HEBEL
21	P1010285	1	VITE	SCREW	VIS	SCHRAUBE
22	P4010613ZT	1	PIASTRA LEVA	PLATE	PLAQUE	PLATTE
23	P4090021VE	1	SCOCOA	DECK	CHÂSSIS	GEHÄUSE
24	P5140857	1	TARGHETTA IBEA	DECAL IBEA	AUTOCOLLANT IBEA	AUFKLEBER IBEA
25	P3060308Z8	1	CAVALLOITO	U BOLT	CAVALIER	BÜGELBOLZEN
26	P1010369	2	VITE	SCREW	VIS	SCHRAUBE
27	ISP2020506	2			COUSSINET	

Tav. 2



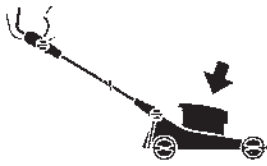
Groupe de lame

Mod. 55029B



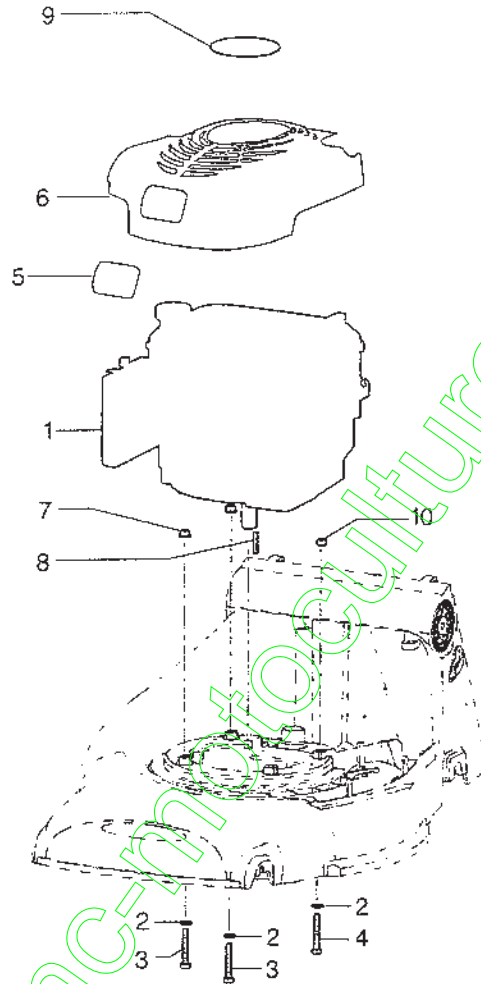
REF. N°	PART. N°	QTY	DESCRIZIONE	DESCRIPTION	DESCRIPTION	BESCHREIBUNG
1	P3010056	1	CINGHIA TRASMISSIONE	TRANSMISSION BELT	COURROIE DE TRANSMISSION	RIEMEN
2	P3120186ZB	1	GUIDA CINGHIA	BELT GUIDE	GUIDAGE DE COURROIE	RIEMENFÜHRUNG
3	P1010360	2	VITE	SCREW	VIS	SCHRAUBE
4	P3050148	1	BUSSOLA LAMA	BLADE BUSHING	DOUILLE DE COUPEAU	MESSERBÜCHSE
5	P4050047VE	1	LAMA	BLADE	COUPEAU	MESSER
6	1110002A1	1	MOLLA A TAZZA	BELLEVILLE WASHER	RESSORT À GODET	BECHERFEDER
7	P1020067	1	RONDELLA	WASHER	RONDELLE	FEDERSCHEIBE
8	P1010050	1	VITE	SCREW	VIS	SCHRAUBE
9	P3040661ZB	1	DISTANZIALE PULEGGIA IB-55029H	SPACER IB-55029H	DOUILLE IB-55029H	ABSTANDSTÜCK IB-55029H
9	P3040660ZB	1	DISTANZIALE PULEGGIA IB-55029B, IB-55050B	SPACER IB-55029B, IB-55050B	DOUILLE IB-55029B, IB-55050B	ABSTANDSTÜCK IB-55029B, IB-55050B
10	P3060657ZB	1	PULEGGIA MOTRICE	PULLEY	POULIE	REIMENSCHNEIBE

Tav. 3



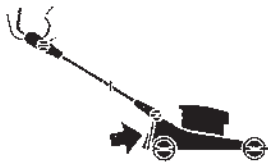
Mod. 55029B

Couvercle moteur



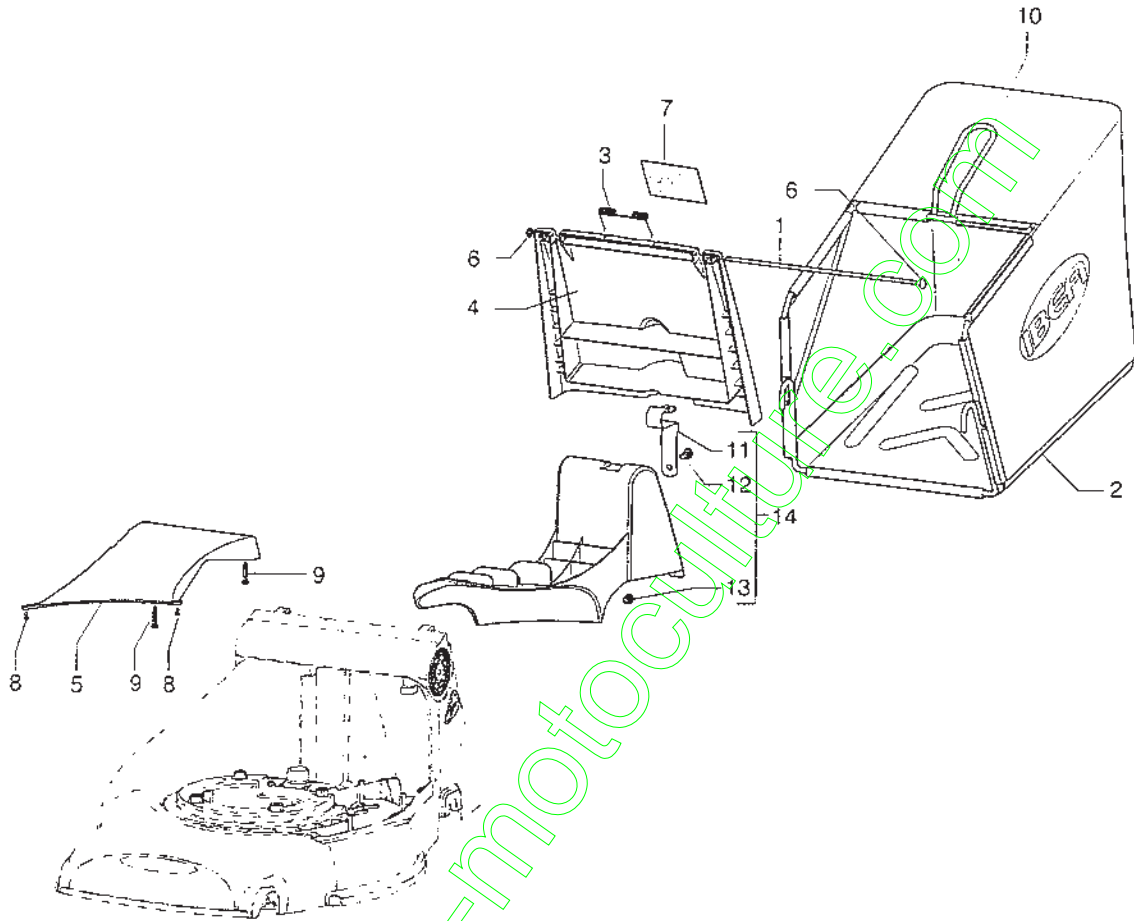
REF. N°	PART. N°	QTY	DESCRIZIONE	DESCRIPTION	DESCRIPTION	BESCHREIBUNG
1		1	MOTORE	ENGINE	MOTEUR	MOTOR
2	1020014A1	3	ROSETTA	WASHER	RONDELLE	SCHEIBE
3	P1010152	2	VITE	SCREW	VIS	SCHRAUBE
4	P1010097	1	VITE	SCREW	VIS	SCHRAUBE
5	P5140898	1	DECALCOMANIA	LABEL	AUTOCOLLANT	AUFKLEBER
6		1	CAPOTTINA	COVER	COUVERCLE	DECKEL
7	P1050011	2	DADO	NUT	ÉCROU	MUTTER
8	P1090026	1	CHIAVETTA	KEYING	CLAVETTE	KEIL
9	P5140897	1	DECALCOMANIA	LABEL	AUTOCOLLANT	AUFKLEBER
10	P1050013	1	DADO	NUT	ÉCROU	MUTTER

Tav. 5



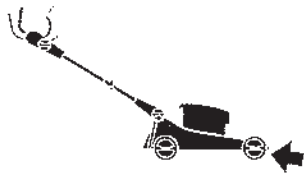
Sac - Protection posteriore

Mod. 55029B



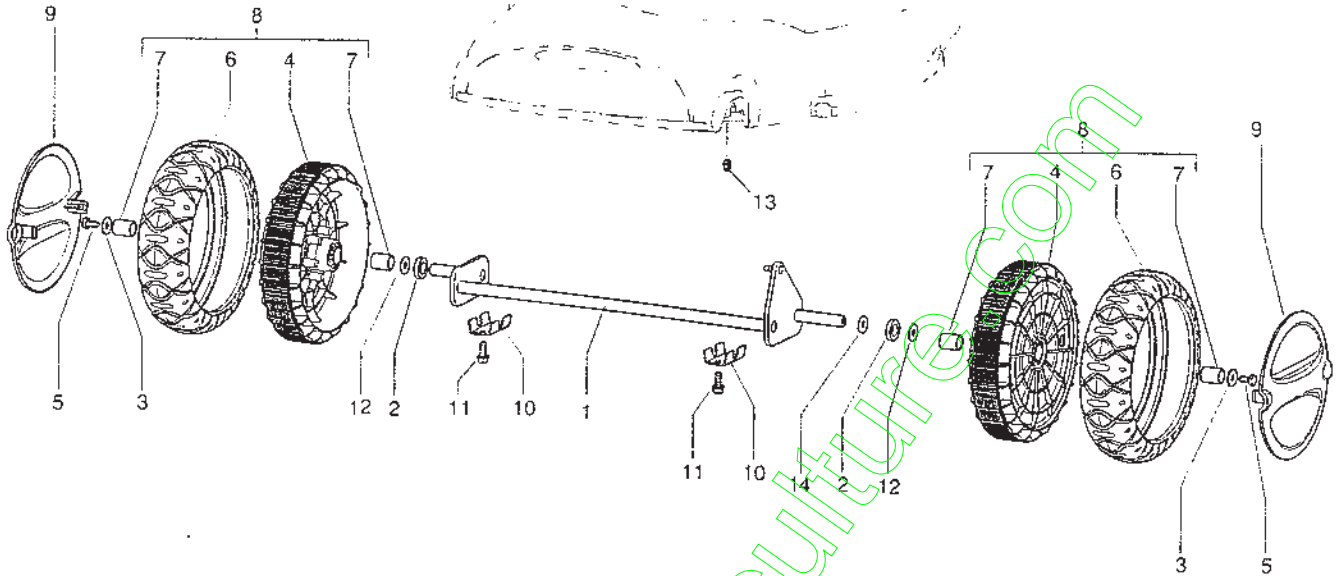
REF. N°	PART. N°	QTY	DESCRIZIONE	DESCRIPTION	DESCRIPTION	BESCHREIBUNG
1	P3100190ZT	1	ASTINA PORTELLO	ROD	TIGE	STANGE
2	P3160070	1	SACCO	BAG	SAC	GRASFANGSACK
3	P3020060ZT	1	MOLLA PORTELLO	SCHIELD SPRING	RESSORT PROTECTION	FEDER Klappe
4	P2020432	1	PORTELLO	SCHILD	PROTECTION	Klappe
5	P2020507	1	SCIVOLO ERBA	CHUTE DOOR	DÉFLECTEUR	LEITBLECH
6	P1060004	2	STARLOCK	STARLOCK	STARLOCK	STARLOCK
7	P5140860	1	DECALCO SICUREZZA	SAFETY DECAL	AUTOCOLLANT DE SECURITE'	SICHERHEITSaufkleber
8	P1010356	2	VITE	SCREW	VIS	SCHRAUBE
9	P1010178	2	VITE	SCREW	VIS	SCHRAUBE
10	P3060144VE	1	TELAIO CESTELLO	BAG FRAME	CADRE DU SAC	SACKGESTELL
11	P4010704ZB	1	MOLLA	SPRING	RESSORT	FEDER
12	P1010119	1	VITE	SCREW	VIS	SCHRAUBE
13	P1050036	1	DADO	NUT	ÉCROU	MUTTER
14	P3060313	1	ASSIEME TAPPO MULCHING	MULCHING PLUG	BOUCHON MULCHING	MULCHING-ABDECKUNG

Tav. 6

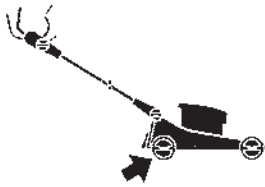


Essieu avant

Mod. 55029B

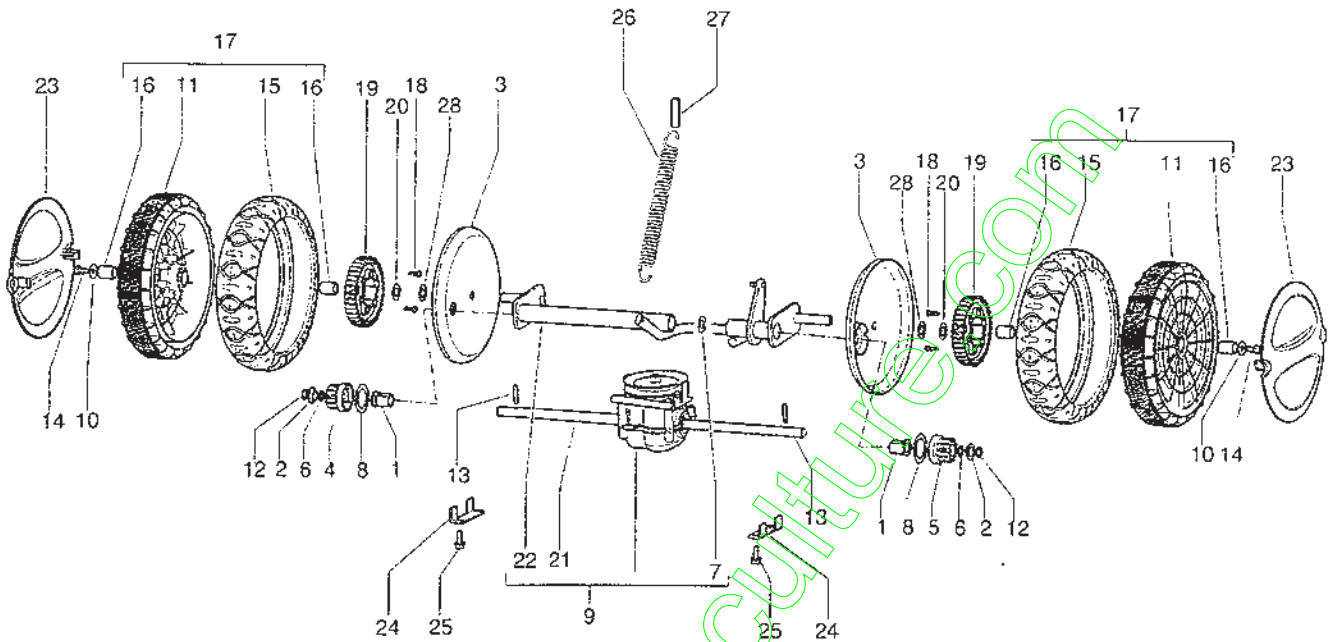


REF. N°	PART. N°	QTY	DESCRIZIONE	DESCRIPTION	DESCRIPTION	BESCHREIBUNG
1	P3060314ZB	1	ASSALE ANTERIORE	FRONT AXLE	ESSIEUX AVANT	VORDERACHSE
2	P2020088	2	DISTANZIALE PER RUOTE	SPACER	DOUILLE	ABSTANDSSTÜCK
3	1020007A1	2	ROSETTA	WASHER	RONDELLE	FEDERSCHEIBE
4	P2020421	2	CERCHIONE	WHEEL HUB	JANTE	FELGE
5	1010018A1	2	VITE	SCREW	VIS	SCHRAUBE
6	P2020483	2	COPERTONE	TYRE	PNEU	REIFEN
7	P3050149	4	BUSSOLE	BUSHING	DOUILLE	BUCHSE
8	P2080017	2	RUOTA COMPLETA	WHEEL ASSY	ROUE COMPL.	RAD KOMP.
9	P2020423	2	COPRICERCHIONE	WHEEL HUB COVER	PROTECTION JANTE	SCHUTZ FELGE
10	P4080015	2	SUPPORTO PER ASSALE	SUPPORT	SUPPORT	HALTER
11	P1010360	4	VITE	SCREW	VIS	SCHRAUBE
12	P1020179	2	ANELLO	O-RING	JOINT TORIQUE	GUMMING
13	P3020072	2	MOLLA ASSALE ANT.	FRONT AXLE SPRING	RESSORT ESSIEUX ANTERIEUR	FRÜHERUNDGETRIEBEFEDER
14	P1020123	2	RONDELLA	WASHER	RONDELLE	SCHEIBE



Essieu arrière

Mod. 55029B

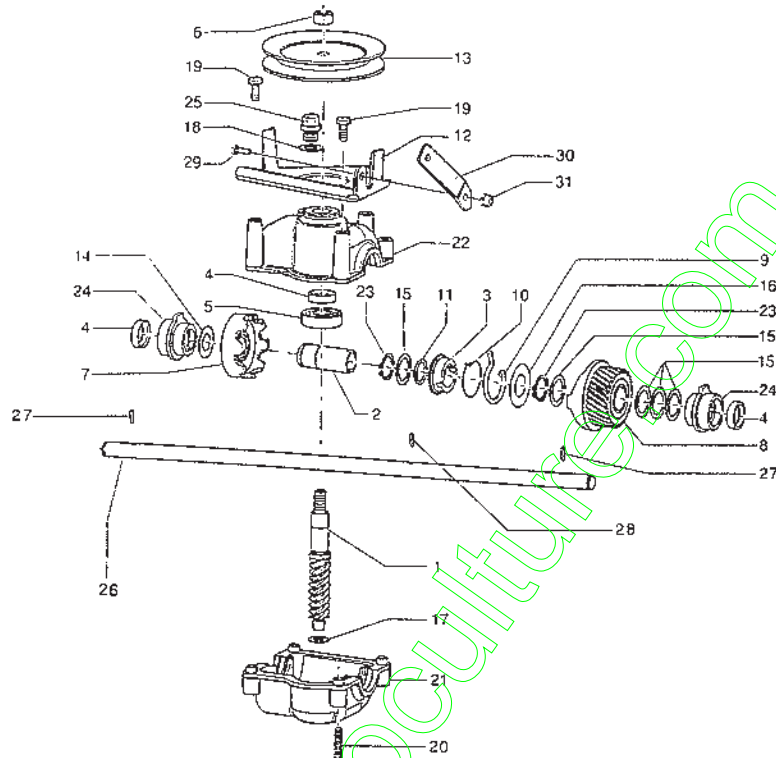


REF. N°	PART. N°	QTY	DESCRIZIONE	DESCRIPTION	DESCRIPTION	BESCHREIBUNG
1	P2020070	2	BUSSOLA ASSALE POSTERIORE	BUSHING	DOUILLE	BÜCHSE
2	P3040580ZT	2	BUSSOLA	BUSHING	DOUILLE	BÜCHSE
3	P2020420	2	COPRIRUOTA POSTERIORE	WHEEL COVER	PROTECTION ROUE	SCHUTZ RAD
4	P3050097	1	INGRANAGGIO CRICCHETTO	CROWN GEAR	ENGRENAGE	ZAHNRAD
5	P3050098	1	INGRANAGGIO CRICCHETTO	CROWN GEAR	ENGRENAGE	ZAHNRAD
6	P3170013	2	O-RING	O-RING	JOINT TORIQUE	GUMMIRING
7	1020020A1	1	RASAMENTO	SPACER	DOUILLE	ABSTANDSSTÜCK
8	P1020164	2	RASAMENTO	SPACER	DOUILLE	ABSTANDSSTÜCK
9	P2090036	1	RIDUTTORE COMPLETO	GEAR BOX ASSY	TRANSMISSION COMPL.	FAHRGETRIEBE KOMP.
10	1020007A1	2	ROSETTA	WASHER	RONDELLE	FEDERSCHEIBE
11	P2020424	2	CERCHIONE	WHEEL HUB	JANTE	FELGE
12	1070001A1	2	SEEGER	CIRCLIP	SEEGER	SEEGER
13	P1080026	2	SPINA	PIN	GOUPILLE	SPANNHÜLSE
14	1010018A1	2	VITE	SCREW	VIS	SCHRAUBE
15	P2020484	2	COPERTONE	TYRE	PNEU	REIFEN
16	P3050149	4	BUSSOLE	BUSHING	DOUILLE	BÜCHSE
17	P2080012	2	RUOTA COMPLETA	WHEEL ASSY	ROUE COMPL.	RAD KOMP.
18	P1010364	4	VITE	SCREW	VIS	SCHRAUBE
19	P2020427	2	INGRANAGGIO	CROWN GEAR	ENGRENAGE	ZAHNRAD
20	1020020A1	2	RONDELLA	WASHER	RONDELLE	SCHEIBE
21	P3040454	1	ALBERO TRASMISSIONE	DRIVE SHAFT	ARBRE DE TRANSMISSION	ANTRIEBSWELLE
22	P3060197ZI	1	ASSALE POSTERIORE ITRAZ.	REAR AXLE	ESSIEUX ARRIÈRE	HINTERACHSE
23	P2020426	2	COPRIRCERCHIONE	WHEEL HUB COVER	PROTECTION JANTE	SCHUTZ FELGE
24	P4080044ZT	2	SUPPORTO	SUPPORT	SUPPORT	HALTER
25	P1010360	4	VITE	SCREW	VIS	SCHRAUBE
26	P3020070	1	MOLLA	SPRING	RESSORT	FEDER
27	P3040615ZI	1	PERNO MOLLA ASSALE	AXLE SPRING PIN	GOUPILLE RESSORT ESSIEU	STIFT-HINTERACHSE FEDER
28	P1020179	2	ANELLO	O-RING	JOINT TORIQUE	GUMMIRING

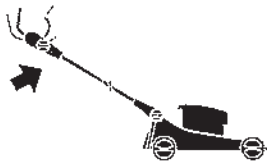


Transmission

Mod. 55029B

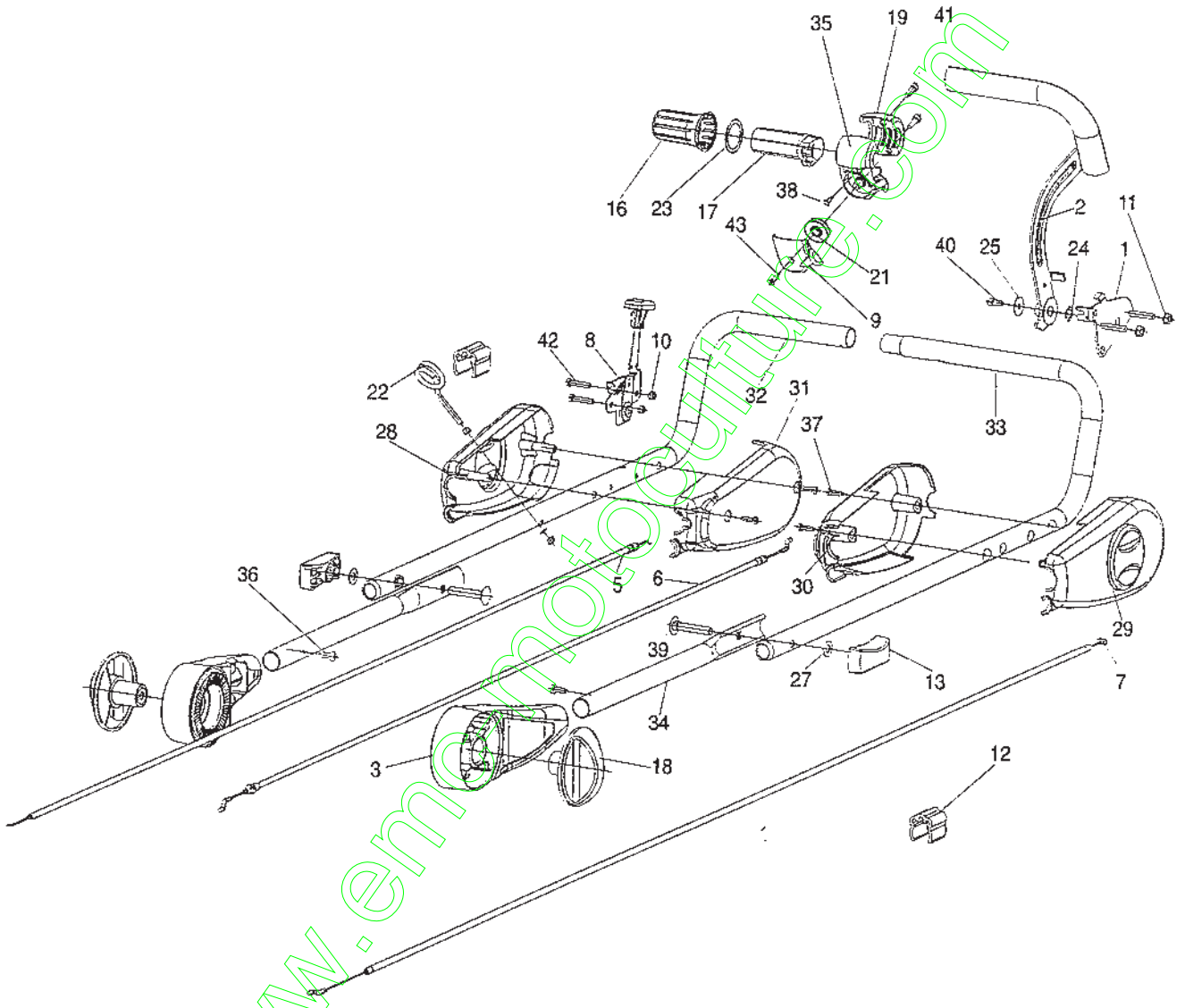


REF. N°	PART. N°	QTY	DESCRIZIONE	DESCRIPTION	DESCRIPTION	BESCHREIBUNG
1	P3040571	1	VITE SENZA FINE	WORM SCREW	VIS SANS FIN	SCHNECKE
2	P3040452	1	BUSSOLA	BUSHING	DOUILLE	BÜCHSE
3	P3050138	1	BUSSOLA PORTA MOLLA	BUSHING	DOUILLE	BÜCHSE
4	P3170011	3	PARAOILIO	OIL SEAL	JOINT	DICHTUNG
5	P3030010	1	CUSCINETTO	BEARING	PALIER	LAGER
6	P1010008	1	DADO	NUT	ÉCROU	MUTTER
7	P3050113	1	FLANGIA-INNESTO RIDUTTORE	FLANGE	BRIDE	FLANSCH
8	P3060170	1	INGRANAGGIO-INNESTO RID.	CROWN GEAR	ENGRENAGE	ZAHNRAD
9	P3020057	1	MOLLA INNESTO RIDUTTORE	SPRING	RESSORT	FEDER
10	P3020067	1	MOLLA	SPRING	RESSORT	FEDER
11	P3170039	1	O-RING	O-RING	JOINT TORIQUE	GUMMING
12	P4010468ZT	1	PIASTRA	PLATE	PLAQUE	PLATE
13	P3040570ZT	1	PULEGGIA CONDOTTA	PULLEY	POUILLE	RIEMENSCHLEIBE
14	1020020A1	1	RASAMENTO	SPACER	DOUILLE	ABSTANDSSTÜCK
15	P1020165	5	RASAMENTO	SPACER	DOUILLE	ABSTANDSSTÜCK
16	P1020166	1	RASAMENTO	SPACER	DOUILLE	ABSTANDSSTÜCK
17	P1020053	1	RASAMENTO	SPACER	DOUILLE	ABSTANDSSTÜCK
18	P3170031	1	RONDELLA	WASHER	RONDELLE	FEDERSCHLEIBE
19	P1010324	3	VITE	SCREW	VIS	SCHRAUBE
20	P1010325	4	VITE	SCREW	VIS	SCHRAUBE
21	P3050092	1	SCATOLA INFERIORE	LOWER HOUSING	BOÎTE INFÉRIEUR	SCHALE U.
22	P3050091	1	SCATOLA SUPERIORE	UPPER HOUSING	BOÎTE SUPÉRIEUR	SCHALE O.
23	P1070019	2	SEGER	CIRCLIP	SEGER	SEGER
24	P3050115	2	SUPPORTO ALBERO	SHAFT SUPPORT	SUPPORT ARBRE	WELLE HALTER
25	P1010249	1	TAPPO	PLUG	BOUCHON	KAPPE
26	P3040454	1	ALBERO TRAZIONE	DRIVE SHAFT	ARBRE DE TRANSMISSION	ANTRIEBSWELLE
27	P1080026	2	SPINA	PIN	GOUPILLE	SPANNHULSE
28	P1080015	1	SPINA CILINDRICA	PIN	GOUPILLE	SPANNHULSE
29	P1010353	1	VITE	SCREW	VIS	SCHRAUBE
30	P4010730ZB	1	PIASTRINA	PLATE	PLAQUE	PLATE
31	P1010237	1	DADO	NUT	ÉCROU	MUTTER



Guidon

Mod. 55029B



REF. N°	PART. N°	QTY	DESCRIZIONE	DESCRIPTION	DESCRIPTION	BESCHREIBUNG
1	P3060218	1	SUPPORTO	BRACKET	SUPPORT	HALTER
2	P3060152ZT	1	ASSIEME LEVA SYSTEM 2	SYSTEM 2 LEVER ASSY	LEVIER SYSTEME 2 COMPL.	SYSTEM 2 HEBEL KOMPL.
3	P3050104	2	ATTACCO STEGOLA	JOINT	EMBRANCHEMENT	ANSCHLUSS
5	P5020120	1	CAVO ACCELERATORE IB-55029H	THROTTLE CABLE IB-55029H	CÂBLE DE GAZ IB-55029H	GASKABEL IB-55029H
5	P5020119	1	CAVO ACCELERATORE IB-55029B	THROTTLE CABLE IB-55029B	CÂBLE DE GAZ IB-55029B	GASKABEL IB-55029B
6	P5010114	1	CAVO SYSTEM 2	SYSTEM 2 CABLE	CÂBLE SYSTEM 2	SYSTEM 2 KABEL
7	P5010113	1	CAVO TRAZIONE	TRACTION CABLE	CÂBLE DE TRACTION	ANTRIEBSKABEL
8	P3090081	1	LEVA ACCELERATORE	THROTTLE CONTROL	GUIDON DE GAZ	GASLENKER
9	P2020514	1	COPERCHIETTO	COVER	COUVERCLE	DECKEL
10	1050002A1	4	DADO	NUT	ÉCROU	MUTTER
11	P1050014	2	DADO	NUT	ÉCROU	MUTTER
12	P1020080	2	FERMACAVO	CABLE LOCK	ARRÊT DU CÂBLE	KABELHALTER
13	P2020478	2	GALLETTO STEGOLA	WING NUT	ÉCROU À AILETTES	FLÜGELMUTTER
16	P2020518	1	MANOPOLA ESTERNA	TRACTION HANDLE	POIGNÉE DE TRACTION	ANTRIEBSGRIFF
17	P2020515	1	MANOPOLA INTERNA	TRACTION HANDLE	POIGNÉE DE TRACTION	ANTRIEBSGRIFF
18	P2020428	2	MANOPOLA STEGOLA	KNOB	POIGNÉE	ZUGKNOPF
19	P2020516	1	SUPPORTO MANETTINO	SUPPORT	SUPPORT	HALTER
21	P2020513	1	PULEGGIA	PULLEY	POULIE	REIMENSCHLEIBE
22	P3100152ZT	1	RICCIOLO PER AVVIATORE	STARTER HOLDER	SUPPORT	HALTER
23	P2020517	1	RONDELLA	WASHER	RONDELLE	FEDERSCHLEIBE
24	P1020178	1	RONDELLA ELASTICA	WASHER	RONDELLE	FEDERSCHLEIBE
25	P1020088	1	RONDELLA	WASHER	RONDELLE	FEDERSCHLEIBE
27	1020014A1	2	RONDELLA	WASHER	RONDELLE	FEDERSCHLEIBE
28	P2020444	1	SCATOLA COMANDI EST.DX	CONTROL HOUSING, RH	BOÎTE ÉLÉMENTS DE COMMANDE	SCHACHTELBEDIENUNGSELEM.
29	P2020445	1	SCATOLA COMANDI EST. SX	CONTROL HOUSING, LH	BOÎTE ÉLÉMENTS DE COMMANDE	SCHACHTELBEDIENUNGSELEM.
30	P2020447	1	SCATOLA COMANDI INT.SX	CONTROL HOUSING, LH	BOÎTE ÉLÉMENTS DE COMMANDE	SCHACHTELBEDIENUNGSELEM.
31	P2020446	1	SCATOLA COMANDI INT.DX	CONTROL HOUSING, RH	BOÎTE ÉLÉMENTS DE COMMANDE	SCHACHTELBEDIENUNGSELEM.
32	P3120185VE	1	SEMISTEGOLA SUP. DX	UPPER HANDLE, HALF RH	GUIDON SUPERIEUR	OBERLENKER
33	P3120184VE	1	SEMISTEGOLA SUP. SX	UPPER HANDLE, HALF LH	GUIDON SUPERIEUR	OBERLENKER
34	P3120167VE	2	STEGOLA INFERIORE	LOWER HANDLE	GUIDON INFERIEUR	UNTERLENKER
35	P2020512	1	SUPPORTO MANETTINO	SUPPORT	SUPPORT	HALTER
36	P1010330	2	VITE	SCREW	VIS	SCHRAUBE
37	P1010332	5	VITE	SCREW	VIS	SCHRAUBE
38	P1010323	1	VITE	SCREW	VIS	SCHRAUBE
39	P1010153	2	VITE M8X45	SCREW M8X45	VIS M8X45	SCHRAUBE M8X45
40	P1010207	1	VITE M5X12	SCREW M5X12	VIS M5X12	SCHRAUBE M5X12
41	P1010121	2	VITE M5X14	SCREW M5X14	VIS M5X14	SCHRAUBE M5X14
42	P1010174	2	VITE M5X25	SCREW M5X25	VIS M 5X25	SCHRAUBE M 5X25
43	P1010115	1	VITE 4X16	SCREW 4X16	VIS 4X16	SCHRAUBE 4X16

ADVANCE 50M

FORM MS-0990-6C-6/2002
REPLACES FORM MS-0990-5C-3/2002
FILE IN SECT. 2 OF SERVICE MANUAL

12H800

Illustrated Parts List

Model Series

12H800

TYPE NUMBERS
0652 through 6699.

For Use On Engines Built Before Date Code -- 02063000

TABLE OF CONTENTS

Alternator	8
Air Cleaner	4
Blower Housing/Shrouds	6
Brake	8
Cams	2
Carburetor	3
Controls	5
Crankcase Cover/Sump	2
Crankshaft	2
Cylinder Group	2
Electric Starter	8
Electrical	8
Flywheel	7
Fuel Tank	5
Governor Spring	5
Ignition	8
Kits/Gaskets	2 & 3
Muffler	4
Oil	2
Piston Group	2
Rewinds	7
Valves	2



BRIGGS & STRATTON

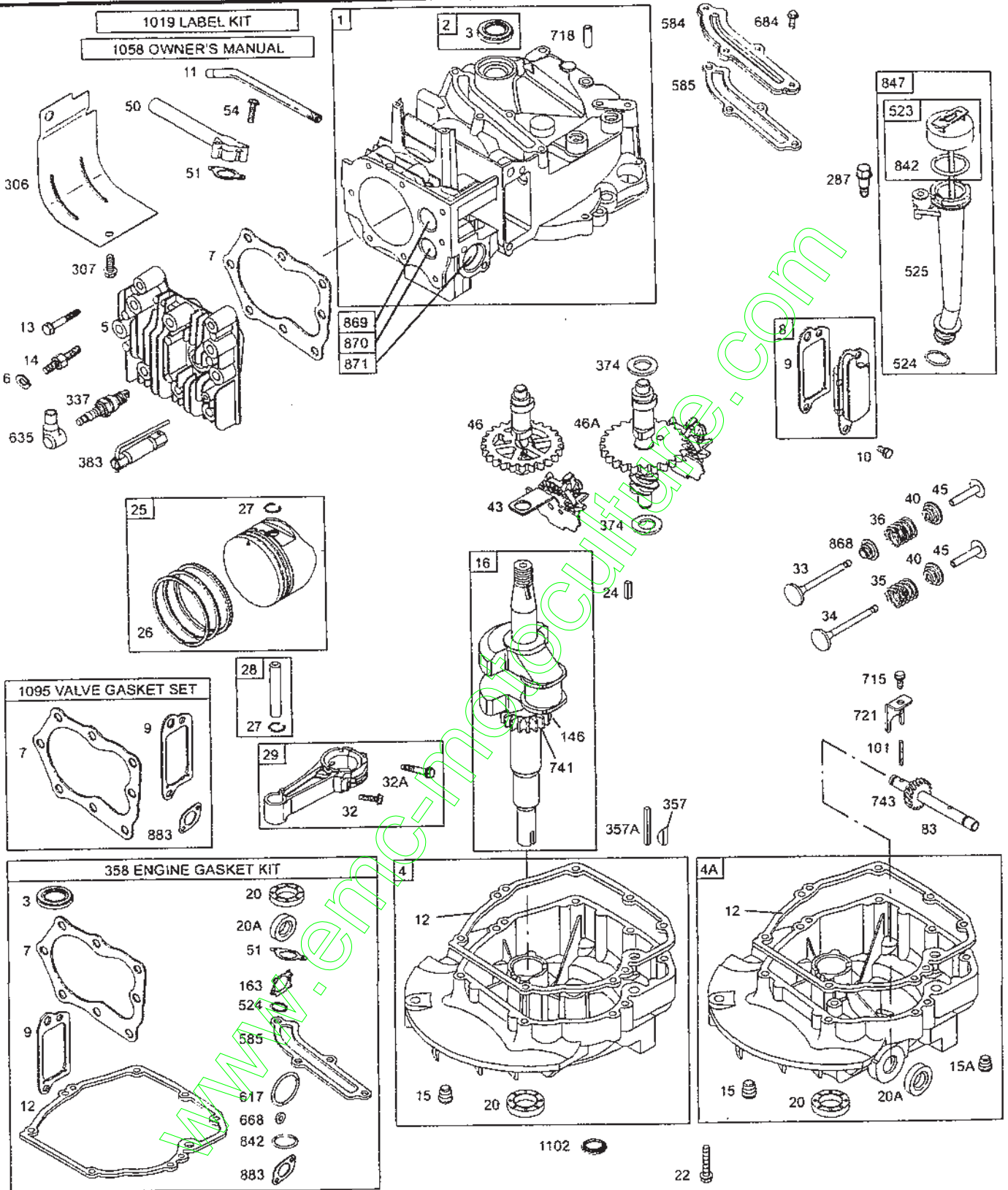


PRINTED IN U.S.A.

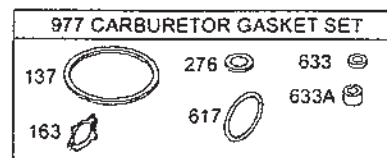
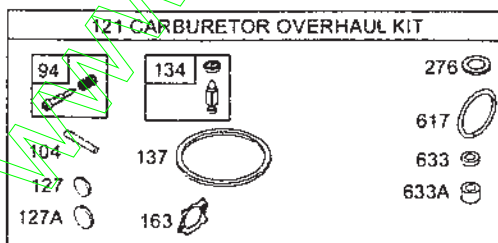
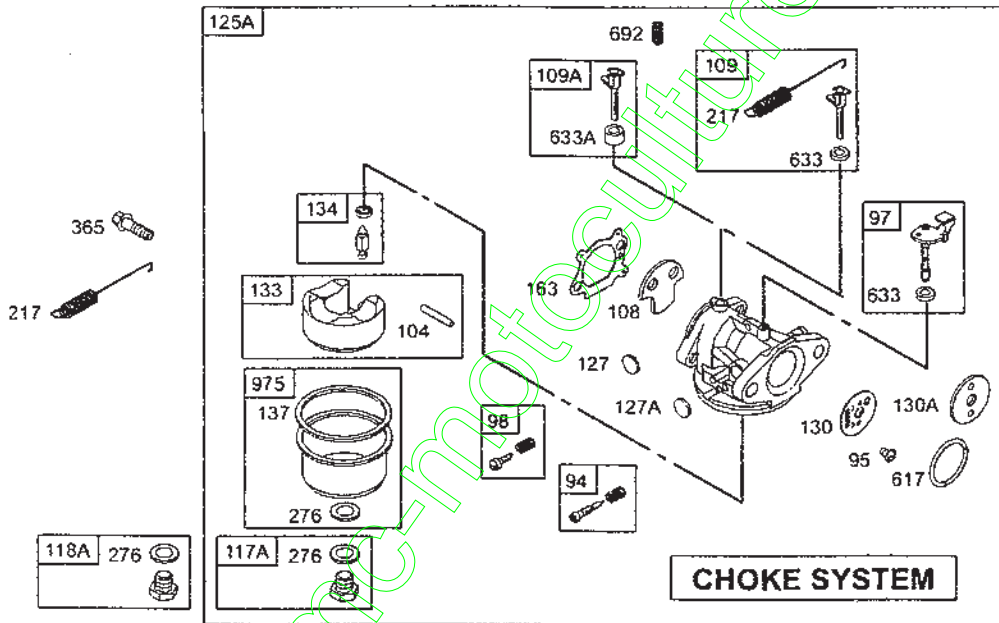
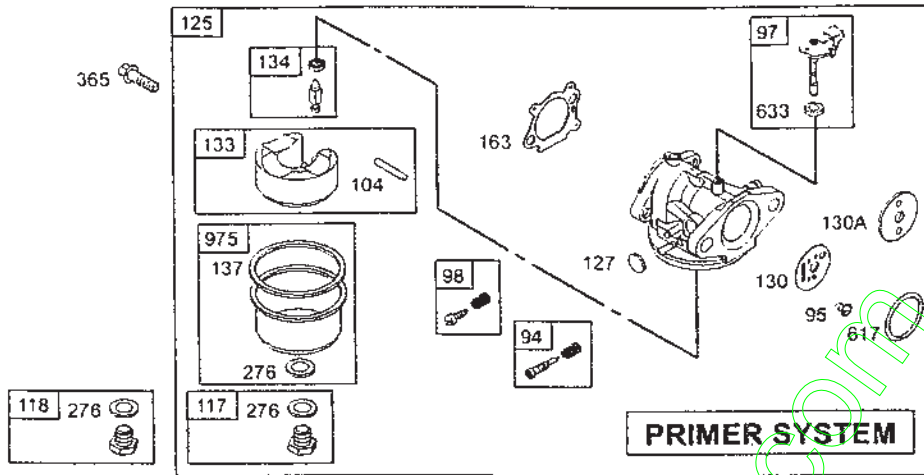
COPYRIGHT by BRIGGS & STRATTON CORPORATION

All rights reserved. No part of this material may be reproduced or transmitted, in any form or by any means, electronic or mechanical, including photocopying, recording or by any information storage and retrieval system, without permission in writing from Briggs & Stratton Corporation.

12H800

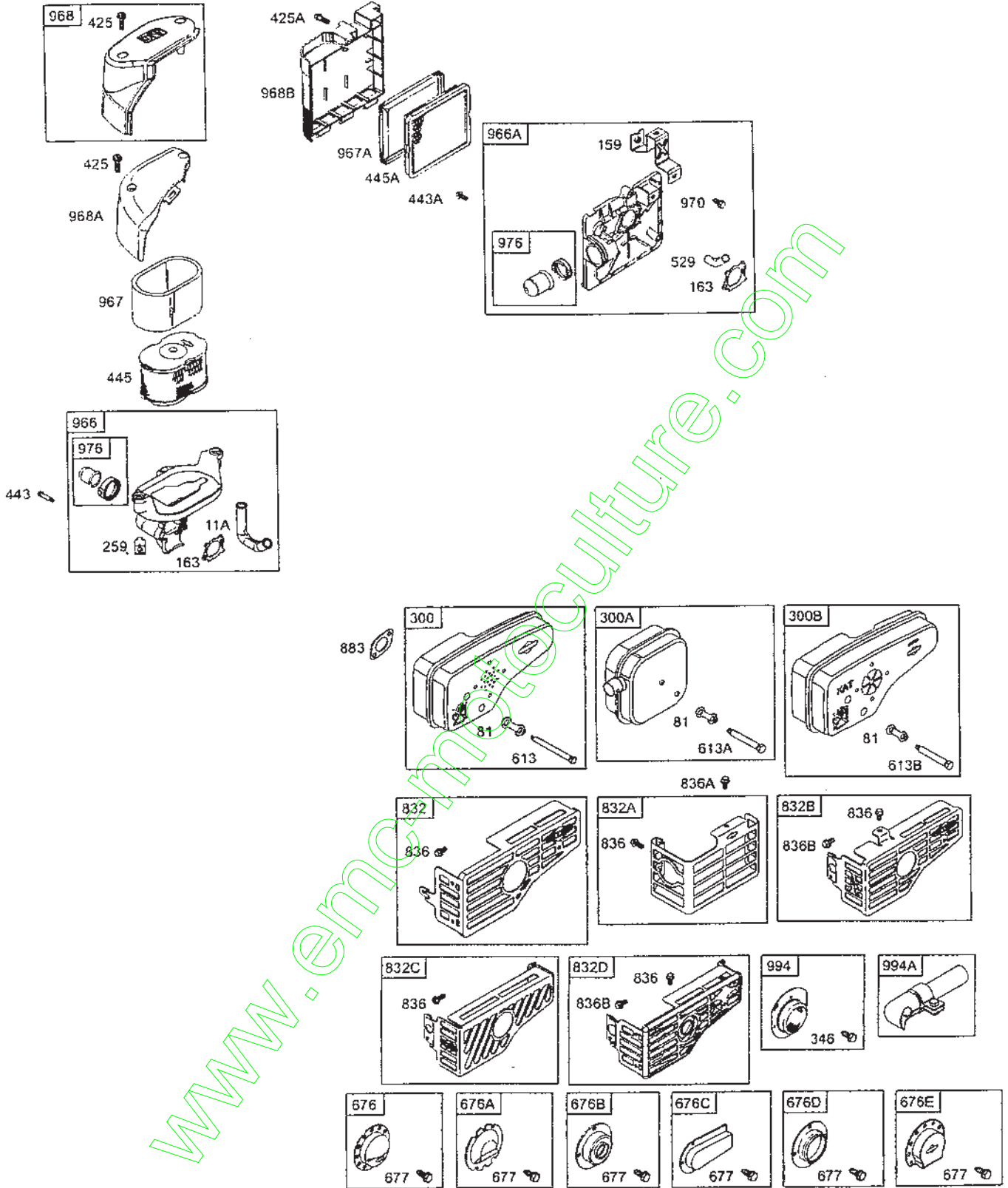


Illustrations cover a range of engines. Parts shown without corresponding text may not be used on your specific engine.
 0990-2 Assemblies include all parts shown in frames. 6C-6/2002

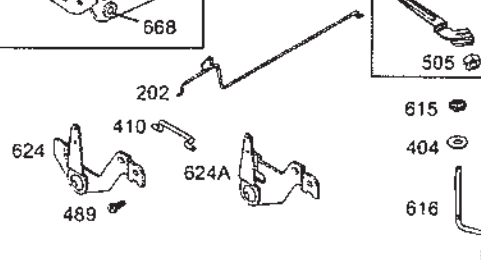
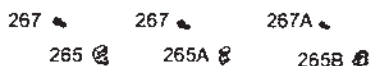
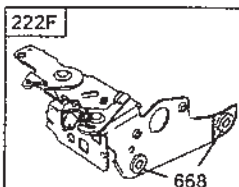
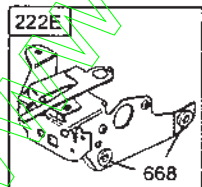
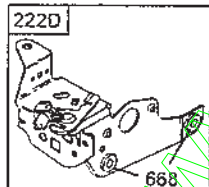
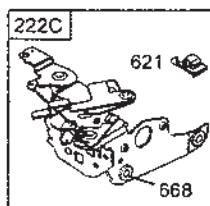
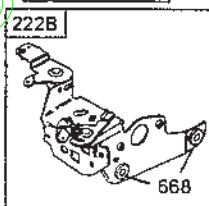
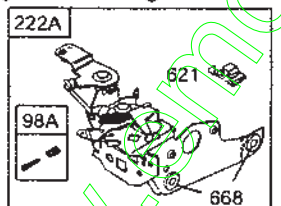
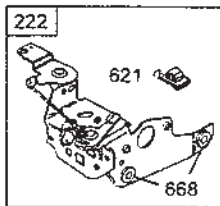
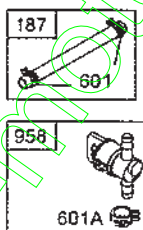
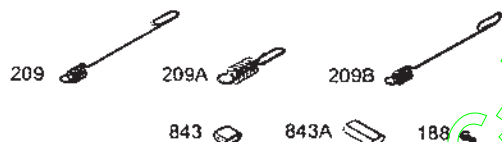
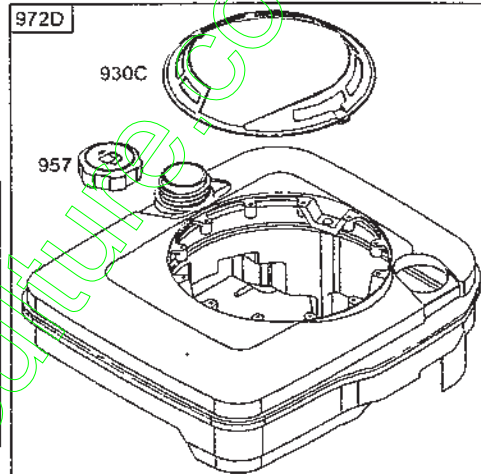
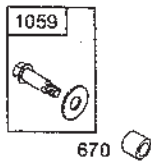
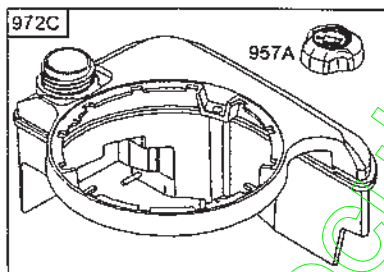
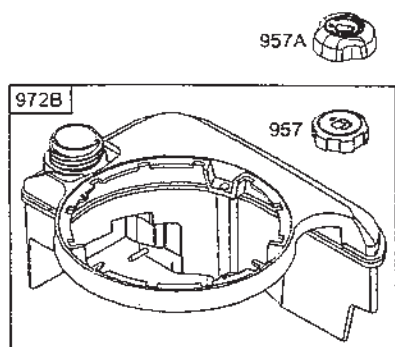
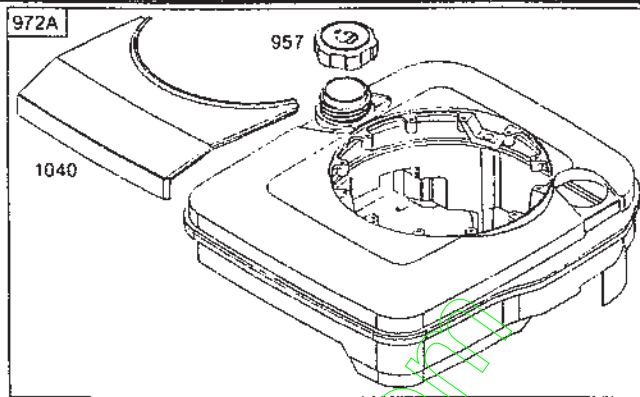
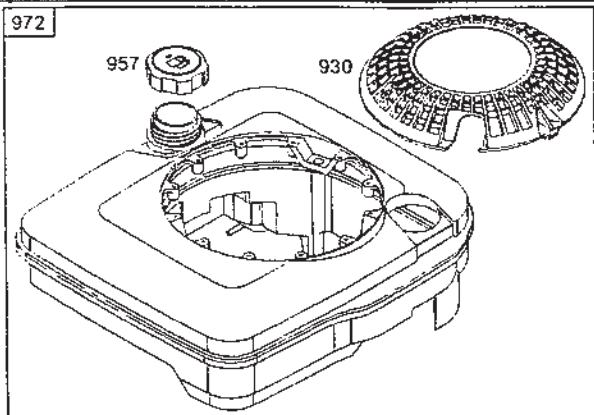


Illustrations cover a range of engines. Parts shown without corresponding text may not be used on your specific engine.
 0990-3 Assemblies include all parts shown in frames. 6C-6/2002

12H800

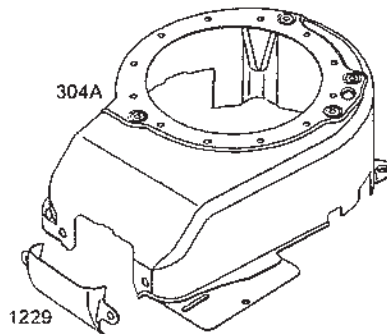
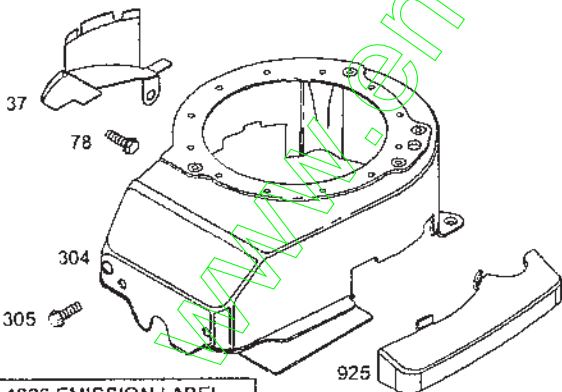
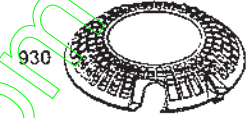
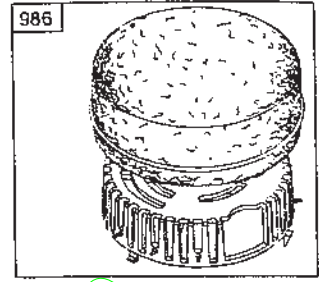
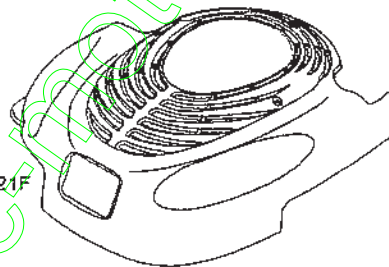
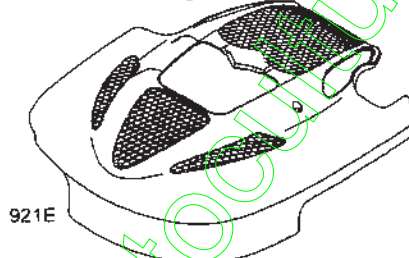
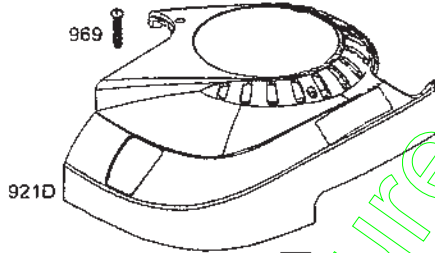
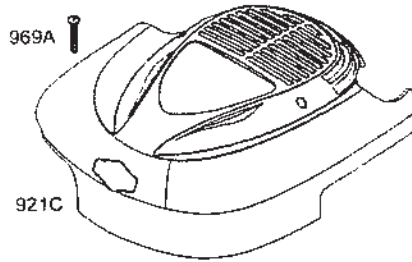
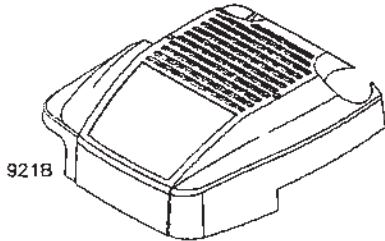
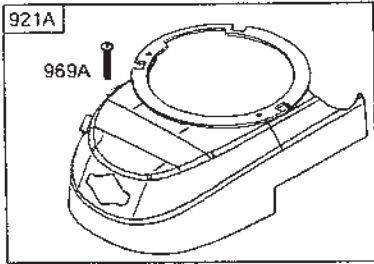
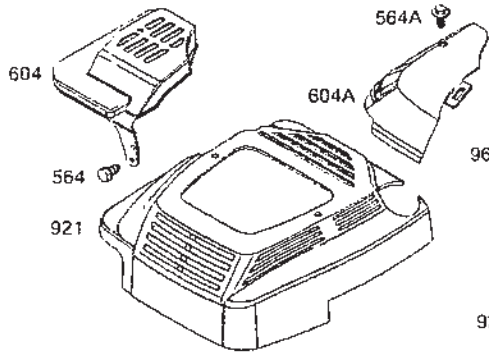


Illustrations cover a range of engines. Parts shown without corresponding text may not be used on your specific engine.
 0990-4 Assemblies include all parts shown in frames. 6C-6/2002

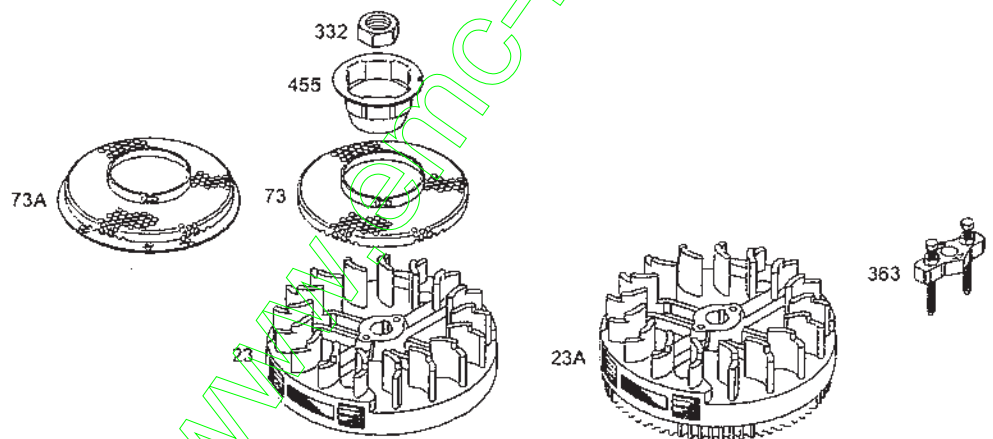
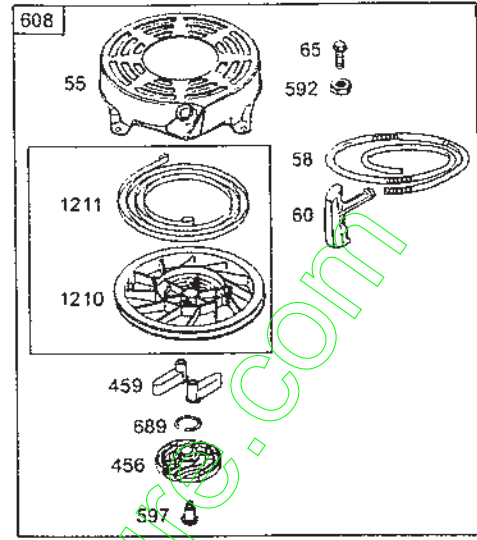
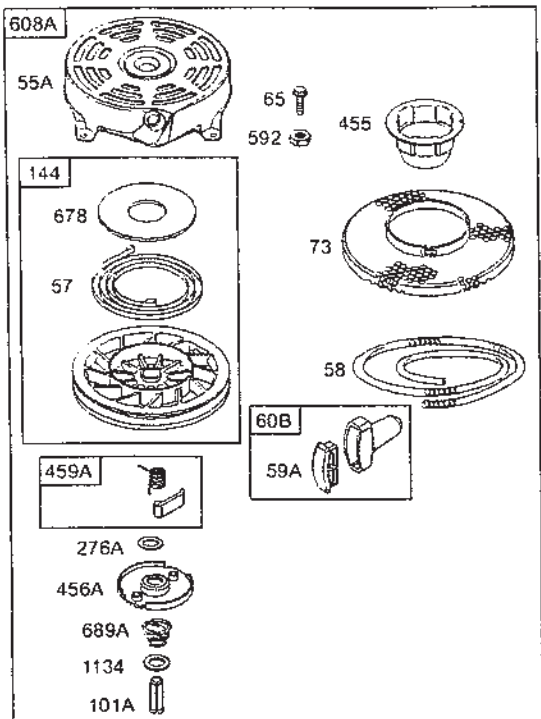


Illustrations cover a range of engines. Parts shown without corresponding text may not be used on your specific engine.
 0990-5 Assemblies include all parts shown in frames. 6C-6/2002

12H800

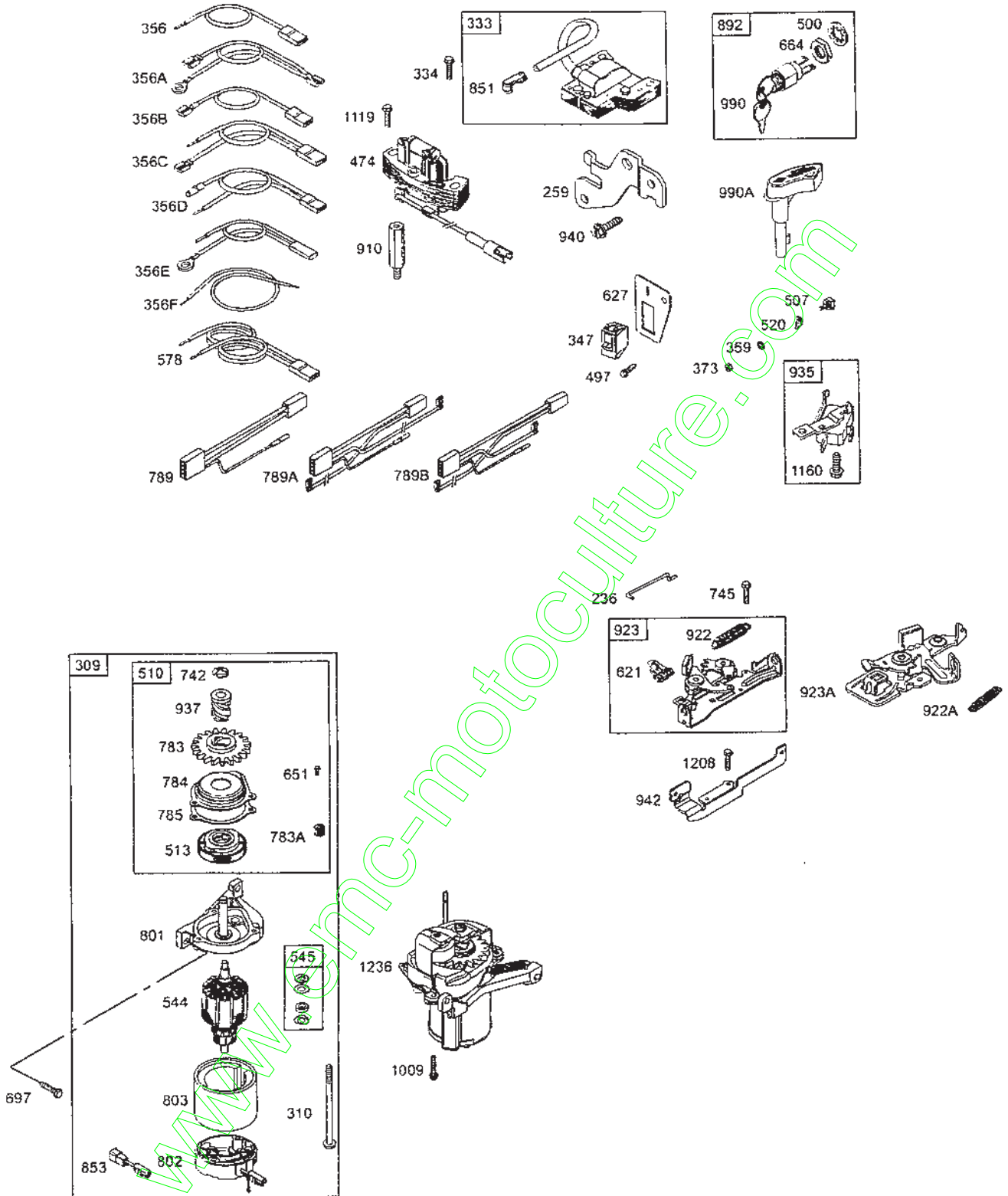


Illustrations cover a range of engines. Parts shown without corresponding text may not be used on your specific engine.
 0990-6 Assemblies include all parts shown in frames. 6C-6/2002



Illustrations cover a range of engines. Parts shown without corresponding text may not be used on your specific engine.
 0990-7 Assemblies include all parts shown in frames. 6C-6/2002

12H800



Illustrations cover a range of engines. Parts shown without corresponding text may not be used on your specific engine. 0990-8 Assemblies include all parts shown in frames. 6C-6/2002

REF. NO.	PART NO.	DESCRIPTION	REF. NO.	PART NO.	DESCRIPTION	REF. NO.	PART NO.	DESCRIPTION
1	493260	Cylinder Assembly		2678, 2679, 3120,				691375 Crankshaft
2	399269	Kit-Bushing/Seal (Magneto Side)		3123, 3167, 3176.				(Used Before Code Date 97011300).
3	*299819	Seal-Oil (Magneto Side)		493282 Crankshaft				Used on Type No(s). 1149, 1548.
4	493279	Sump-Engine		(Used Before Code Date 97011300).				
		Note		Used on Type No(s). 0823, 1520, 1530, 1531, 1532, 1533, 1567, 2630, 2631.				692980 Crankshaft
		498983 Sump-Engine						(Used After Code Date 97011200).
		Used on Type No(s). 1167, 1715, 1955, 2320, 2324, 2331, 2367, 2673, 2681, 3182.						Used on Type No(s). 0658, 0660, 1570, 1758, 1760, 1763, 2634, 2670.
		696294 Sump-Engine		691452 Crankshaft				692005 Crankshaft
		Used on Type No(s). 1717, 1718, 1719, 1754, 2326, 3181.		(Used After Code Date 97011200).				(Used Before Code Date 97011300).
4A	493365	Sump-Engine (Auxilliary PTO)		Used on Type No(s). 0664, 0665, 0666, 0670, 0671, 0672, 0840, 0866, 0868, 0873, 0877, 1150, 1166, 1170, 1171, 1332, 1366, 1368, 1370, 1371, 1372,				Used on Type No(s). 0658, 0660, 1758, 2634.
5	691160	Head-Cylinder		1544, 1559, 1569, 1770, 1771, 1784,				692822 Crankshaft
7	*Ø692249	Gasket-Cylinder Head		1919, 1920, 1926, 1932, 1935, 1936, 1941, 1942, 1943, 1947, 1966, 1973, 1976, 1977, 1983, 1985, 1988, 1991, 1992, 2350, 2644, 2669, 2676, 3130, 3132, 3166, 3169, 3181, 3313, 3314, 3315.				Used on Type No(s). 1766.
8	495786	Breather Assembly		694059 Crankshaft				Used on Type No(s). 1955, 1986, 3178.
9	*Ø272481	Gasket-Breather		(Used Before Code Date 97011300).				694478 Crankshaft
10	94650	Screw (Breather Assembly)		Used on Type No(s). 0866, 0868, 0873, 0877, 1166, 1170, 1332, 1366, 1368, 1370, 1371, 1544, 1559, 1569, 1977.				Used on Type No(s). 1777.
11	691781	Tube-Breather						694849 Crankshaft
12	*692232	Gasket-Crankcase						Used on Type No(s). 1714, 2349, 2383, 2391, 2635, 2683.
13	690912	Screw (Cylinder Head)						694850 Crankshaft
15	691680	Plug-Oil Drain (Square Socket)						Used on Type No(s). 2331, 2681.
15A	691093	Plug-Oil Drain (Hex Socket)						696009 Crankshaft
16	691451	Crankshaft (Used After Code Date 97011200).						Used on Type No(s). 1720, 1776, 1778.
		Note						696290 Crankshaft
		493362 Crankshaft						Used on Type No(s). 2320.
		(Used Before Code Date 97011300).						
		691450 Crankshaft						
		(Used After Code Date 97011200).						
		Used on Type No(s). 0823, 1520, 1530, 1531, 1532, 1533, 1567, 1718, 1769, 1923, 1939, 1940, 1950, 1951, 1952, 1979, 1980, 1987, 2375, 2376, 2379, 2380, 2609, 2610, 2611, 2612, 2630, 2631, 2667, 2677,						
		691455 Crankshaft						
		(Used After Code Date 97011200).						
		Used on Type No(s). 1149, 1548, 1925, 2312, 2313, 2314, 2315, 2316, 2324, 2328, 2349, 2352, 2360, 2370, 2373, 2381, 2383, 2384, 2394, 2395, 2396, 3172, 3173.						

* Included in Engine Gasket Set-Ref. No.358.

• Included in Carburetor Overhaul Kit-Ref. No. 121.

◆ Included in Carburetor Gasket Set-Ref. No. 977.

Ø Included in Valve Gasket Set-Ref. No 1095.

Illustrations cover a range of engines. Parts shown without corresponding text may not be used on your specific engine.

0990-9

Assemblies include all parts shown in frames.

6C-6/2002

12H800

REF. NO.	PART NO.	DESCRIPTION	REF. NO.	PART NO.	DESCRIPTION	REF. NO.	PART NO.	DESCRIPTION
20	*399781	Seal-Oil (PTO Side)	25	499429	Piston Assembly (Standard) (Used After Code Date 97011200).	26	499425	Ring Set (Standard) (Used After Code Date 97011200).
20A	*691952	Seal-Oil (PTO Side) (Auxilliary PTO)			Note			Note
22	691092	Screw (Crankcase Cover/ Sump)		493262	Piston Assembly (Standard) (Used Before Code Date 97011300).		493261	Ring Set (Standard) (Used Before Code Date 97011300).
23	692315	Flywheel (Rewind Start)						
23A	691987	Flywheel (Electric Start) Note		499430	Piston Assembly (.010" Oversize) (Used After Code Date 97011200).		499426	Ring Set (.010" Oversize) (Used After Code Date 97011200).
		691992 Flywheel (Electric Start) Used on Type No(s). 0667, 1149, 1167, 1369, 1548, 1559, 1569, 1714, 1715, 1919, 1932, 1941, 1942, 1955, 2320, 2324, 2331, 2349, 2367, 2383, 2391, 2635, 2669, 2673, 2681, 3133, 3178, 3179, 3183.		493385	Piston Assembly (.010" Oversize) (Used Before Code Date 97011300).		493388	Ring Set (.010" Oversize) (Used Before Code Date 97011300).
		696291 Flywheel (Electric Start) Used on Type No(s). 1717, 1718, 1719, 1754, 2326, 3181.		499431	Piston Assembly (.020" Oversize) (Used After Code Date 97011200).		499427	Ring Set (.020" Oversize) (Used After Code Date 97011200).
24	222698	Key-Flywheel		493386	Piston Assembly (.020" Oversize) (Used Before Code Date 97011300).		493389	Ring Set (.020" Oversize) (Used Before Code Date 97011300).
				499432	Piston Assembly (.030" Oversize) (Used After Code Date 97011200).		499428	Ring Set (.030" Oversize) (Used After Code Date 97011200).
				493387	Piston Assembly (.030" Oversize) (Used Before Code Date 97011300).	27	691866	Lock-Piston Pin (Used After Code Date 97011200).
								Note
							691588	Lock-Piston Pin (Used Before Code Date 97011300).

* Included in Engine Gasket Set-Ref. No.358.
● Included in Carburetor Overhaul Kit-Ref. No. 121.

◆ Included in Carburetor Gasket Set-Ref. No. 977.
∅ Included in Valve Gasket Set-Ref. No 1095.

Illustrations cover a range of engines. Parts shown without corresponding text may not be used on your specific engine.
0990-10 Assemblies include all parts shown in frames. 6C-6/2002

REF. NO.	PART NO.	DESCRIPTION	REF. NO.	PART NO.	DESCRIPTION	REF. NO.	PART NO.	DESCRIPTION
28	499423	Pin-Piston (Standard) (Used After Code Date 97011200). ————— Note ————— 298909 Pin-Piston (Standard) (Used Before Code Date 97011300). 298908 Pin-Piston (.005" Oversize) (Used Before Code Date 97011300).	43	691997	Slinger-Governor/Oil ————— Note ————— 691486 Slinger-Governor/Oil Used on Type No(s). 1167, 1715, 2367, 2673, 3183.	50	497465	Manifold-Intake
29	499424	Rod-Connecting (Standard) (Used After Code Date 97011200). ————— Note ————— 490566 Rod-Connecting (Standard) (Used Before Code Date 97011300). 490743 Rod-Connecting (.020" Undersize) (Used Before Code Date 97011300).	45	690548	Tappet-Valve	51	*272199	Gasket-Intake
32	691664	Screw (Connecting Rod)	46	691449	Camshaft (Used After Code Date 96060200). ————— Note ————— 492830 Camshaft (Used Before Code Date 96060300).	54	691650	Screw (Intake Manifold)
32A	695759	Screw (Connecting Rod) (Used After Code Date 00042200).	46A	691460	Camshaft (Clockwise) (Used After Code Date 96060200). Used on Type No(s). 0823, 1923. ————— Note ————— 493740 Camshaft (Clockwise) (Used Before Code Date 96060300). Used on Type No(s). 0823.	55	691421	Housing-Rewind Starter
33	262651	Valve-Exhaust				58	280399	Rope-Starter (Cut To Required Length)
34	262652	Valve-Intake				60	281434	Grip-Starter Rope
35	691270	Spring-Valve (Intake)				65	690837	Screw (Rewind Starter)
36	691270	Spring-Valve (Exhaust)				78	691108	Screw (Flywheel Guard)
37	694086	Guard-Flywheel				81	691740	Lock-Muffler Screw
40	692194	Retainer-Valve				83	691778	Shaft-Auxiliary Drive Used on Type No(s). 0823, 1923, 1947, 1949, 1989. ————— Note ————— 690527 Shaft-Auxiliary Drive Used on Type No(s). 0662, 1315, 1538, 1762, 2312, 2313, 2314, 2315, 2316, 2351, 2352, 2360, 2378, 2385, 2394, 3115, 3173. 690521 Shaft-Auxiliary Drive Used on Type No(s). 1934, 1982, 2330.
						95	691636	Screw (Throttle Valve)
						97	493267	Shaft-Throttle ————— Note ————— 696565 Shaft-Throttle (Primer System) (Used After Code Date 01040800).
						98A	493280	Kit-Idle Speed
						101	691623	Pin-Shaft
						104	◆691242	Pin-Float Hinge
						108	691182	Valve-Choke
						109A	498593	Shaft-Choke

* Included in Engine Gasket Set-Ref. No.358.
● Included in Carburetor Overhaul Kit-Ref. No. 121.

◆ Included in Carburetor Gasket Set-Ref. No. 977.
⊗ Included in Valve Gasket Set-Ref. No 1095.

Illustrations cover a range of engines. Parts shown without corresponding text may not be used on your specific engine.
0990-11 Assemblies include all parts shown in frames. 6C-6/2002

12H800

REF. NO.	PART NO.	DESCRIPTION	REF. NO.	PART NO.	DESCRIPTION	REF. NO.	PART NO.	DESCRIPTION
117	494870	Jet—Main (Standard) Note 497466 Jet—Main (Standard) Used on Type No(s). 1538. 498977 Jet—Main (Standard) Used on Type No(s). 0664, 0665, 0666, 0667, 0671, 0672, 1149, 1167, 1170, 1368, 1369, 1370, 1373, 1548.	125	498170	Carburetor (Primer System) (Used After Code Date 95102900). Note 498254 Carburetor (Primer System) Used on Type No(s). 1538.	133	398187	Float—Carburetor
117A	498978	Jet—Main (Standard)	125A	499059	Carburetor (Choke System) Used on Type No(s). 1714, 1715, 1777, 1926, 1932, 1942, 1955, 2329, 2331, 2349, 2367, 2383, 2391, 2635, 2673, 2681, 3178, 3183. Note 498965 Carburetor (Choke System) Used on Type No(s). 0664, 0665, 0666, 0667, 0671, 0672, 1149, 1167, 1170, 1368, 1369, 1370, 1373, 1548.	134	398188	Kit—Needle/Seat
118	497315	Jet—Main (High Altitude) 496495 Jet—Main (High Altitude) Used on Type No(s). 1538. 498978 Jet—Main (High Altitude) Used on Type No(s). 0664, 0665, 0666, 0667, 0671, 0672, 1149, 1167, 1170, 1368, 1369, 1370, 1373, 1548.	127	694468	Plug—Welch	137	693981	Gasket—Float Bowl
118A	498975	Jet—Main (High Altitude)	130	691203	Valve—Throttle Note 696564 Valve—Throttle (Primer System) (Used After Code Date 01040800).	146	690979	Key—Timing
121	498260	Kit—Carburetor Overhaul				159	691753	Bracket—Air Cleaner Primer
						163	692653	Gasket—Air Cleaner
						187	691050	Line—Fuel (15" Long) (Cut to Required Length)
						187A	691371	Line—Fuel (Molded)
						187B	692042	Line—Fuel (Included Filter) (1 1/3" And 4 5/8" Long) (Cut to Required Length)
						187C	696292	Line—Fuel (Molded) Used on Type No(s). 1717, 1718, 1719, 1754, 2326, 3181.
						188	690877	Screw. (Control Bracket)
						190	690940	Screw (Fuel Tank)
						202	691829	Link—Mechanical Governor

* Included in Engine Gasket Set—Ref. No.358.
● Included in Carburetor Overhaul Kit—Ref. No. 121.

● Included in Carburetor Gasket Set—Ref. No. 977.
∅ Included in Valve Gasket Set—Ref. No 1095.

Illustrations cover a range of engines. Parts shown without corresponding text may not be used on your specific engine.
0990-12 Assemblies include all parts shown in frames. 6C-6/2002

REF. NO.	PART NO.	DESCRIPTION	REF. NO.	PART NO.	DESCRIPTION	REF. NO.	PART NO.	DESCRIPTION
209	691864	Spring-Governor (Light Blue) Used on Type No(s). 2329, 2349. ----- Note ----- 690242 Spring-Governor (Orange) Used on Type No(s). 1932. 690241 Spring-Governor Used on Type No(s). 3183.	209B	691851	Spring-Governor (Yellow) ----- Note ----- 691290 Spring-Governor (Meadow Green, 436 Load) Used on Type No(s). 1714, 2367, 2673, 2635, 2681. 691291 Spring-Governor (Red) Used on Type No(s). 1715, 1777, 1942, 1955, 1986, 2320, 2324, 2331, 2349, 2391, 3178. 690319 Spring-Governor (White) Used on Type No(s). 0652, 0656, 0661, 0662, 0822, 0824, 0828, 0837, 0838, 0839, 0877, 1148, 1315, 1316, 1322, 1324, 1325, 1332, 1534, 1540, 1544, 1547, 1569, 1570, 1571, 1721, 1752, 1754, 1756, 1761, 1762, 1764, 1770, 1771, 1784, 1922, 1928, 1934, 1937, 1938, 1947, 1949, 1977, 1978, 1982, 1983, 1987, 1989, 1990, 2312, 2314, 2316, 2319, 2323, 2326, 2328, 2330, 2348, 2351, 2371, 2372, 2378, 2381, 2384, 2385, 2386, 2387, 2388, 2389.			2390, 2394, 2395, 2396, 2632, 2634, 2641, 2642, 2643, 2644, 2645, 2646, 2647, 2348, 2670, 2671, 2672, 2675, 2676, 2680, 2682, 2684, 2685, 3115, 3116, 3122, 3124, 3127, 3128, 3129, 3132, 3172, 3173, 3174, 3180, 3306, 3307, 3308, 3312, 3509, 6699. 691292 Spring-Governor (Black) Used on Type No(s). 0658, 0840, 0866, 0868, 0873, 1150, 1166, 1171, 1365, 1366, 1367, 1371, 1372, 1520, 1559, 1717, 1718, 1719, 1758, 1760, 1763, 1764, 1765, 1766, 1767, 1768, 1775, 1778, 1925, 1926, 1936, 1940, 1943, 1966, 1974, 1976, 1985, 1991, 1992, 2352, 3125, 3130, 3165, 3179, 3181, 3314, 3315. 691852 Spring-Governor (Purple) Used on Type No(s). 0670, 1720, 2379, 2380, 3169. 693187 Spring-Governor (Silver) Used on Type No(s). 2383, 2683.
209A	690567	Spring-Governor (Platinum) Used on Type No(s). 1167. ----- Note ----- 690568 Spring-Governor (Navajo White) Used on Type No(s). 1149, 1548. 691835 Spring-Governor (Meadow Green, 365 Load) Used on Type No(s). 0664, 0665, 0666, 0667, 1170, 1368, 1369, 1370, 1373. 262663 Spring-Governor (Purple) Used on Type No(s). 0671, 0672.						

★ Included in Engine Gasket Set-Ref. No.358.
● Included in Carburetor Overhaul Kit-Ref. No. 121.

◆ Included in Carburetor Gasket Set-Ref. No. 977.
⊗ Included in Valve Gasket Set-Ref. No 1095.

Illustrations cover a range of engines. Parts shown without corresponding text may not be used on your specific engine.
0990-13 Assemblies include all parts shown in frames. 6C-6/2002

12H800

REF. NO.	PART NO.	DESCRIPTION	REF. NO.	PART NO.	DESCRIPTION	REF. NO.	PART NO.	DESCRIPTION
217	690354	Spring-Choke Return	276	◆◆271716	Washer-Sealing (Main Jet)	305	691108	Screw (Blower Housing)
222	692031	Bracket-Control (Remote/Manual Friction)(Primer)	287	690940	Screw (Dipstick Tube)	306	690450	Shield-Cylinder
222A	692021	Bracket-Control (Remote, Choke A Matic, Non Compliance) ----- Note ----- 690839 Bracket-Control (Manual Friction) (Choke A Matic) Used on Type No(s). 1149, 1167, 1548.	300	692038	Muffler (Super Lo Tone)	307	690345	Screw (Cylinder Shield)
222B	693006	Bracket-Control (Fixed Speed Auto Primer Control)	300A	494343	Muffler (Square Lo Tone)	309	695550	Motor-Starter (Used After Code Date 00040600). ----- Note ----- 691376 Motor-Starter (Used Before Code Date 00040700).
222C	692150	Bracket-Control (Variable Speed) (5 Position Manual Choke)	300B	497681	Muffler (Catalyst)	310	692327	Bolt (Starter Motor)
222D	692467	Bracket-Control (Fixed Speed)	304	493293	Housing-Blower ----- Note ----- 493294 Housing-Blower Used on Type No(s). 0666, 0667, 0868, 1149, 1150, 1167, 1171, 1369, 1548, 1559, 1569, 1714, 1715, 1766, 1777, 1919, 1926, 1932, 1941, 1942, 1955, 1988, 2320, 2324, 2329, 2331, 2349, 2350, 2367, 2383, 2391, 2635, 2669, 2673, 2681, 3110, 3120, 3123, 3133, 3167, 3176, 3178, 3179, 3183.	332	690662	Nut (Flywheel)
222E	692982	Bracket-Control (Manual Friction, 5 Position Manual Choke)	695892	Housing-Blower Used on Type No(s). 1721, 1784, 1989, 2320, 2360, 2370, 2384, 2385, 2386, 2389, 2390, 2394, 2395, 2641, 2643, 2646, 2684, 2685, 3129, 3180, 3182, 3308, 3509.	333	802574	Armature-Magneto	
227	690783	Lever-Governor Control	696298	Housing-Blower Used on Type No(s). 1717, 1718, 1719, 1754, 2326, 3181.	334	691061	Screw (Magneto Armature)	
236	691826	Link-Lockout			337	802592	Plug-Spark	
240	298090	Filter-Fuel			346	690661	Screw (Spark Arrestor)	
259	691223	Bracket-Casing Clamp (Control Wire Casing)			347	691396	Switch-Rocker	
265	690798	Clamp-Casing			356	692390	Wire-Stop	
267	691044	Screw (Casing Clamp)			356A	690650	Wire-Stop	
268	691072	Casing-Control Wire (48" Long) (Cut to Required Length)			356B	693010	Wire-Stop	
269	691589	Wire-Control (54" Long) (Cut to Required Length)			356D	496381	Wire-Stop	
270	691027	Nut (Control Wire Casing)			356F	494250	Wire-Stop	
271	691028	Lever-Control			358	497316	Gasket Set-Engine	
					359	691077	Washer (Ground Terminal)	
					363	19069	Flywheel Puller	
					365	692524	Screw (Carburetor)	
					373	691612	Nut (Ground Terminal)	
					374	691074	Washer (Camshaft)	
					383	89838	Wrench-Spark Plug	
					404	690272	Washer (Governor Crank)	
					425A	690670	Screw (Air Cleaner Cover)	
					443A	692523	Screw (Air Cleaner Primer Base)	

★ Included in Engine Gasket Set-Ref. No.358.
● Included in Carburetor Overhaul Kit-Ref. No. 121.

◆ Included in Carburetor Gasket Set-Ref. No. 977.
⊗ Included in Valve Gasket Set-Ref. No 1095.

Illustrations cover a range of engines. Parts shown without corresponding text may not be used on your specific engine.
0990-14 Assemblies include all parts shown in frames. 6C-6/2002

REF. NO.	PART NO.	DESCRIPTION	REF. NO.	PART NO.	DESCRIPTION	REF. NO.	PART NO.	DESCRIPTION
445A	491588	Filter--Air Cleaner Cartridge	601	95162	Clamp--Hose	689	691855	Spring--Friction
455	695161	Cup--Flywheel	604	691757	Cover--Control	692	690572	Spring--Detent
456	692299	Plate--Pawl Friction	604A	691344	Cover--Control	697	691127	Screw (Drive Cap)
459	281505	Plate--Ratchet	608	497680	Starter--Rewind	715	691693	Screw (Shaft Stop)
474	691991	Alternator	613	691340	Screw (Muffler)	718	690959	Pin--Locating
497	690664	Screw (Stop Switch Bracket)	613A	691653	Screw (Muffler)	721	690449	Stop--Shaft
500	691086	Washer (Key Switch)	613B	691114	Screw (Muffler)	741	691830	Gear--Timing
505	691251	Nut (Governor Control Lever)	615	690340	Retainer--Governor Shaft	742	693941	Retainer--E Ring
507	691972	Insulator	616	691308	Crank--Governor	743	691772	Gear--Drive (Counterclockwise)
510	494147	Drive--Starter	617	691344	Seal--O Ring (Intake Manifold)	----- Note -----		
513	692358	Clutch--Drive	621	692310	Switch--Stop	690516	Gear--Drive (Clockwise)	
520	691084	Terminal--Ground	627	692872	Bracket--Stop Switch	Used on Type No(s). 0823.		
523	495264	Dipstick	633	691321	Seal--Choke/Throttle Shaft (Throttle)	745	691648	Screw (Brake)
		----- Note -----	633A	693867	Seal--Choke/Throttle Shaft (Choke)	783	691918	Gear--Pinion (19 Teeth) (Starter Drive)
		499621 Dipstick Used on Type No(s). 1720.	635	66538	Boot--Spark Plug	783A	691269	Gear--Pinion (12 Teeth)
524	692296	Seal--Dipstick Tube	651	93490	Screw (Starter Gear Cover)	784	692341	Cover--Starter Gear
525	495265	Tube--Dipstick	664	691087	Nut (Key Switch)	785	692352	Gasket--Starter Cover
529	691923	Grommet	668	493823	Spacer (Includes 2)	789	695551	Harness--Wiring Used on Type No(s). 3179.
544	690786	Armature--Starter	670	692294	Spacer--Fuel Tank	789A	695552	Harness--Wiring (Used After Code Date 00040600).
545	492919	Washer Set (Starter Motor)	676	396548	Deflector--Muffler (Louvered)	----- Note -----		
562	92613	Bolt (Governor Control Lever)	676A	393756	Deflector--Muffler (Side Out)	691372	Harness-- Wiring	
564	690664	Screw (Control Cover)	676B	397931	Deflector--Muffler (Direct Out)	(Used Before Code Date 00040700).		
		----- Note -----	676C	493871	Deflector--Muffler (Side Out) (Extended)	789B	696547	Harness--Wiring Used on Type No(s). 0665, 0672, 1373, 1936, 1990, 1991, 2388, 2396, 2648, 3127, 3130, 3312, 3315.
564A	691142	Screw (Control Cover)	677	690661	Screw (Muffler Deflector)			
584	692342	Cover--Breather Passage	684	690345	Screw (Breather Passage Cover)			
585	691879	Gasket--Breather Passage						
592	690800	Nut (Rewind Starter)						
597	691696	Screw (Pawl Friction Plate)						

* Included in Engine Gasket Set--Ref. No. 358.

● Included in Carburetor Overhaul Kit--Ref. No. 121.

◆ Included in Carburetor Gasket Set--Ref. No. 977.

⊘ Included in Valve Gasket Set--Ref. No. 1095.

Illustrations cover a range of engines. Parts shown without corresponding text may not be used on your specific engine.

0990-15

Assemblies include all parts shown in frames.

6C-6/2002

12H800

REF. NO.	PART NO.	DESCRIPTION	REF. NO.	PART NO.	DESCRIPTION	REF. NO.	PART NO.	DESCRIPTION
801	690782	Cap-Drive	870	690380	Seat-Valve (Exhaust)	923	691994	Brake
802	695267	Cap-End (Used After Code Date 00040600). Note _____ 695975 Cap-End (Used Before Code Date 00040700).	871	262001	Bushing-Valve Guide (Exhaust) Note _____ 63709 Bushing-Valve Guide (Intake)	923A	695891	Brake
803	695266	Housing-Starter (Used After Code Date 00040600). Note _____ 695975 Housing- Starter (Used Before Code Date 00040700).	883	*Ø691881	Gasket-Exhaust	925	690595	Cover-Linkage
832	499034	Guard-Muffler	892	690646	Switch-Key	930	691919	Guard-Rewind (Round)
832A	691424	Guard-Muffler	910	691094	Stud (Alternator)	930A	691345	Guard-Rewind (Teardrop)
832B	497683	Guard-Muffler	921	497233	Cover-Blower Housing (Static Guard) (5.5) Note _____ 692933 Cover-Blower Housing Used on Type No(s). 1520, 1530, 1531, 1567, 2611, 2612, 2630, 2631, 2667, 2678.	935	499421	Switch-Interlock (Used After Code Date 92100600). Note _____ 398758 Switch- Interlock (Used Before Code Date 92100700).
836	690664	Screw (Muffler Guard)	921A	695886	Cover-Blower Housing (Black)	937	691325	Spline-Starter
836A	690661	Screw (Muffler Guard)	921B	692931	Cover-Blower Housing (Static Guard) (XTE) Used on Type No(s). 2320, 2331, 2626, 2391, 2396.	940	690664	Screw (Casing Clamp Bracket)
836B	691147	Screw (Muffler Guard)	921C	695889	Cover-Blower Housing (Static Guard) (Satin Black) Used on Type No(s). 2324, 2384, 2385, 2386, 2387, 2388, 2389, 2390, 2394, 2395.	957	397974	Cap-Fuel Tank (Plastic) (Black) Note _____ 692662 Cap-Fuel Tank (Plastic) (Red) Used on Type No(s). 2384, 3312.
842	*691031	Seal-O Ring (Dipstick Tube)	921E	696262	Cover-Blower Housing	957A	692046	Cap-Fuel Tank (Plastic)
843	691884	Sleeve-Lever (Speed Control)	921F	697343	Cover-Blower Housing	966A	496116	Base-Air Cleaner Primer
843A	691895	Sleeve-Lever (Choke)	922	691831	Spring-Brake	967A	493537	Filter-Pre Cleaner
847	692017	Dipstick/Tube Assembly Note _____ 692047 Dipstick/Tube Assembly Used on Type No(s). 1720.	922A	692135	Spring-Brake	968B	692298	Cover-Air Cleaner
851	493880	Terminal-Spark Plug				969	690700	Screw (Blower Housing Cover)
853	695268	Adapter-Wire				969A	691138	Screw (Blower Housing Cover)
869	691155	Seat-Valve (Intake)						

* Included in Engine Gasket Set-Ref. No. 358.

• Included in Carburetor Overhaul Kit-Ref. No. 121.

• Included in Carburetor Gasket Set-Ref. No. 977.

Ø Included in Valve Gasket Set-Ref. No. 1095.

Illustrations cover a range of engines. Parts shown without corresponding text may not be used on your specific engine.

0990-16

Assemblies include all parts shown in frames.

6C-6/2002

REF. NO.	PART NO.	DESCRIPTION	REF. NO.	PART NO.	DESCRIPTION	REF. NO.	PART NO.	DESCRIPTION
970	691669	Screw (Air Cleaner Primer Bracket)	1019	494256	Kit-Label	1059	692311	Kit-Screw/Washer
972B	495224	Tank-Fuel (Plastic)	1036	695111	Emission Label (Used After Code Date 99093000).			Note 696293 Kit-Screw/Washer Used on Type No(s). 1717, 1718, 1719, 1754, 2326.
		Note 499618 Tank-Fuel (Plastic) Used on Type No(s). 1720, 2384. 695960 Tank-Fuel (Plastic) Used on Type No(s). 1717, 1718, 1719, 1754, 2326, 3181.			Note 694458 Emission Label (Used After Code Date 98123100 and Before Code Date 99100100). 499341 Emission Label (Used After Code Date 97052500 and Before Code Date 99010100). 499340 Emission Label (Used Before Code Date 97052600). 697378 Emission Label (Used on Engines with Trim D1)	1095	498528	Gasket Set-Valve
975	493640	Bowl-Float				1102	691266	Pilot-Guide Used on Type No(s). 1167, 1715, 2367, 2673.
976	694395	Primer-Carburetor (Used After Code Date 99051200).						Note 691255 Pilot-Guide Used on Type No(s). 1955, 2681, 3183.
		Note 496115 Primer-Carburetor (Used Before Code Date 99051300).	1058	275177	Owner's Manual Note 274940 Owner's Manual Used on Type No(s). 1717, 1718, 1719, 1754, 2326.	1119	691648	Screw (Alternator)
977	498261	Gasket Set-Carburetor				1160	691627	Screw (Interlock Switch)
986	693514	Filter-Debris Foam				1210	498144	Pulley/Spring Assembly (Pulley)
990	691959	Key Set				1211	498144	Pulley/Spring Assembly (Spring)
990A	695951	Key Set (Touch N Mow)				1236	695959	Starter-Mechanical (Touch N Mow) (Do Not Service Individual Parts, Only As A Whole)
994	398067	Arrestor-Spark						
1009	696255	Screw (Starter Motor)						

- ★ Included in Engine Gasket Set-Ref. No.358.
- Included in Carburetor Overhaul Kit-Ref. No. 121.

- ◆ Included in Carburetor Gasket Set-Ref. No. 977.
- ⊘ Included in Valve Gasket Set-Ref. No 1095.

Illustrations cover a range of engines. Parts shown without corresponding text may not be used on your specific engine.
0990-17 Assemblies include all parts shown in frames. 6C-6/2002



**Yvan Béal - 21, av. de l'Agriculture - B.P. 16
Z.I. du Brézet - 63014 Clermont-Ferrand Cedex 2
Tél : 04 73 91 93 51 - Télécopie : 04 73 90 23 11
www.yvanbeal.fr - E-mail : info@yvanbeal.fr
R.C.S. Clermont-Fd B 304 973 886 - S.A.S. au capital de 612 000 €**