

ALPINA

AT2 66 QA (2020)

2T0053404/A18

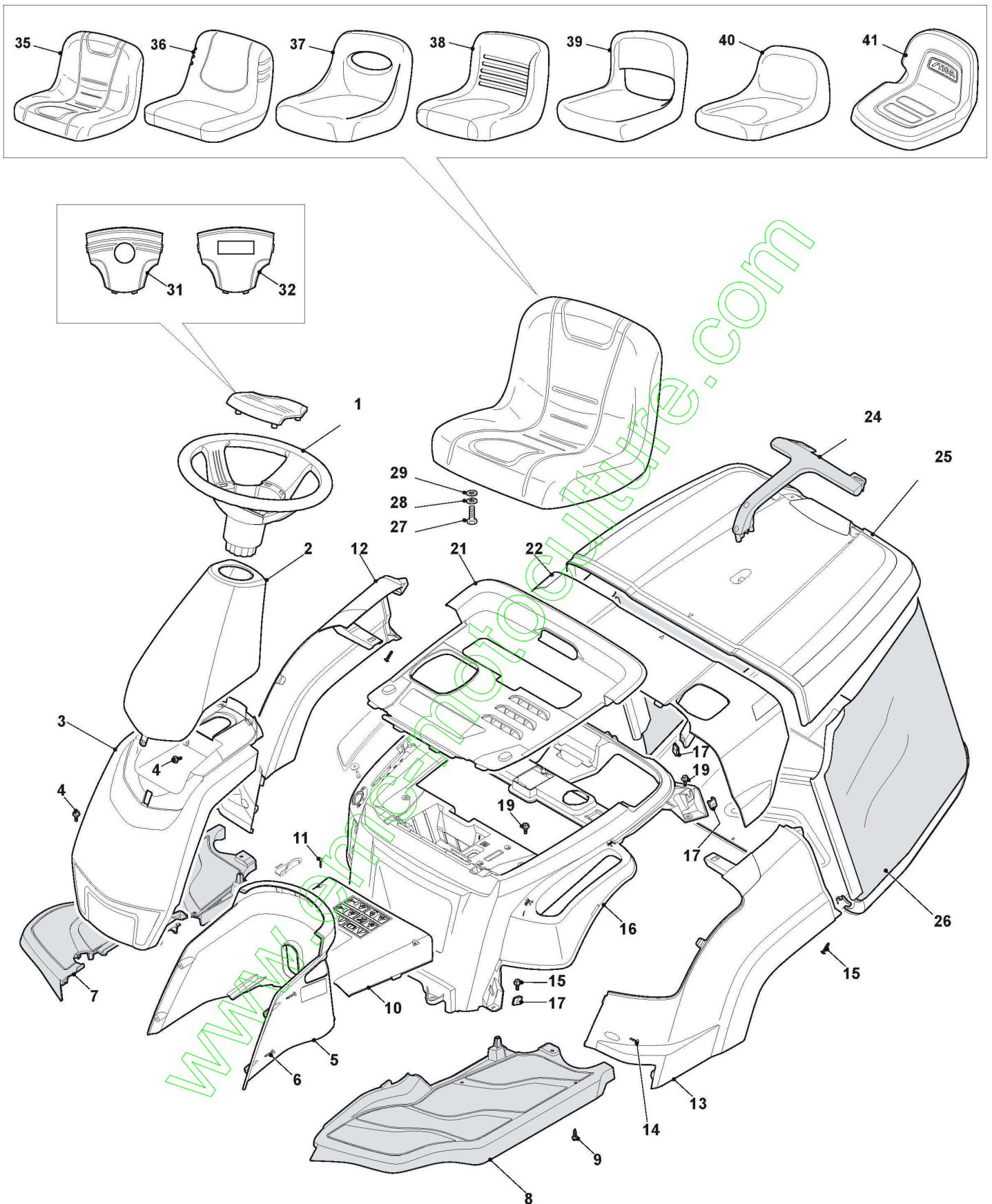


Spare parts list Reservdelar Repuestos Ersatzteile Pièces détachées Reserve onderdelen Catalogo ricambi

www.emc-motoculture.com

- Use ST. S.p.A. Genuine Spare Parts specified in the parts list for repair and/or replacement.
- The contents described in the parts list may change due to improvement.
- The drawings of the spare parts are only indicative And might Not represent the part in question exactly.
- The indications "right" - "left" - "front" - "rear" refer to the position of the operator when using the machine.
- When placing orders of parts for repair And/Or replacement, make sure that the illustrated parts list is the one applying to the machine's year of manufacture, as shown on the identification plate attached to the machine.

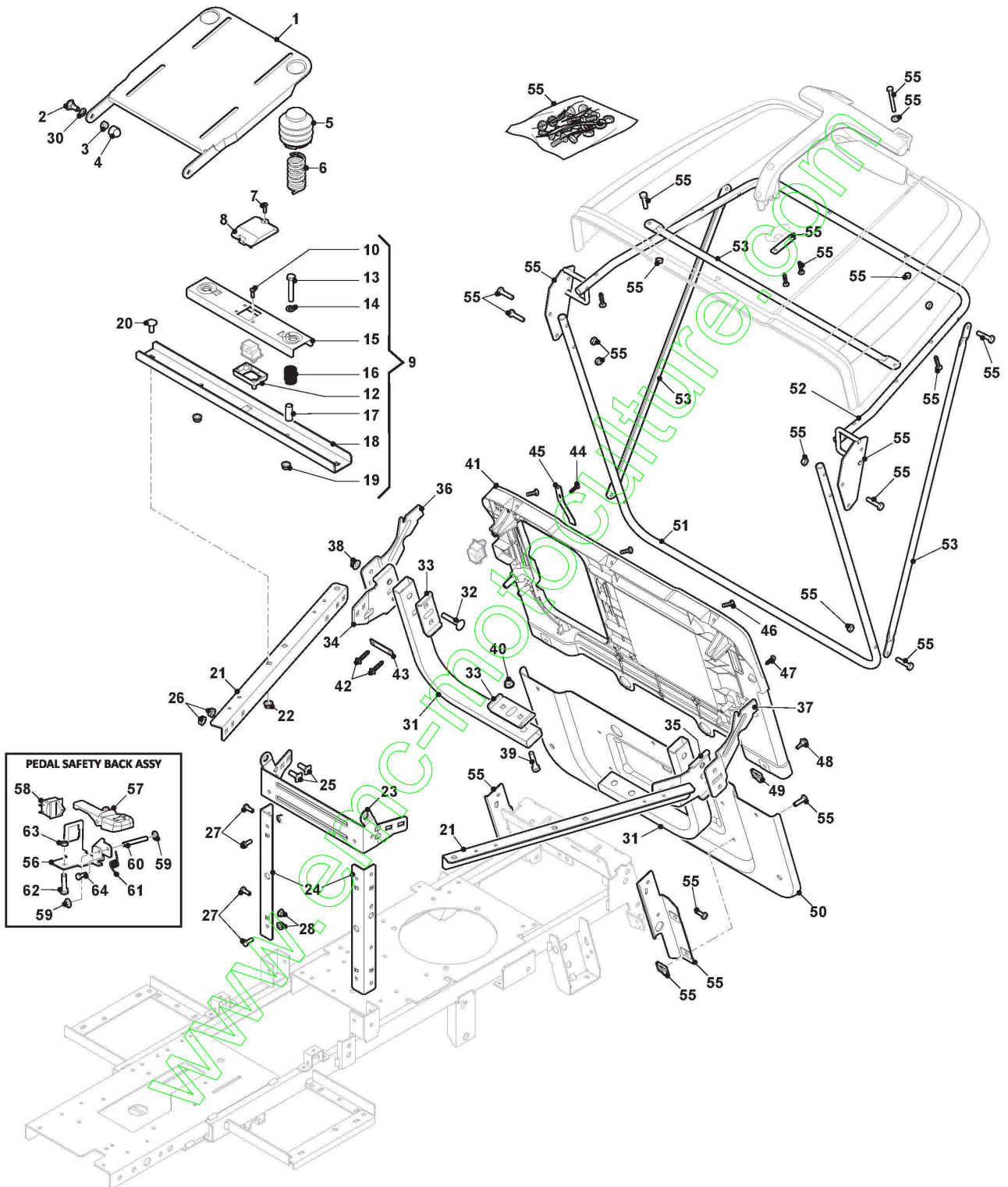
All rights reserved. No part Of this material may be reproduced Or transmitted, in any form Or by any means, electronic Or mechanical, including photocopying, recording Or by any information storage And retrieval system, without permission in writing from ST. S.p.A.



Carrosserie

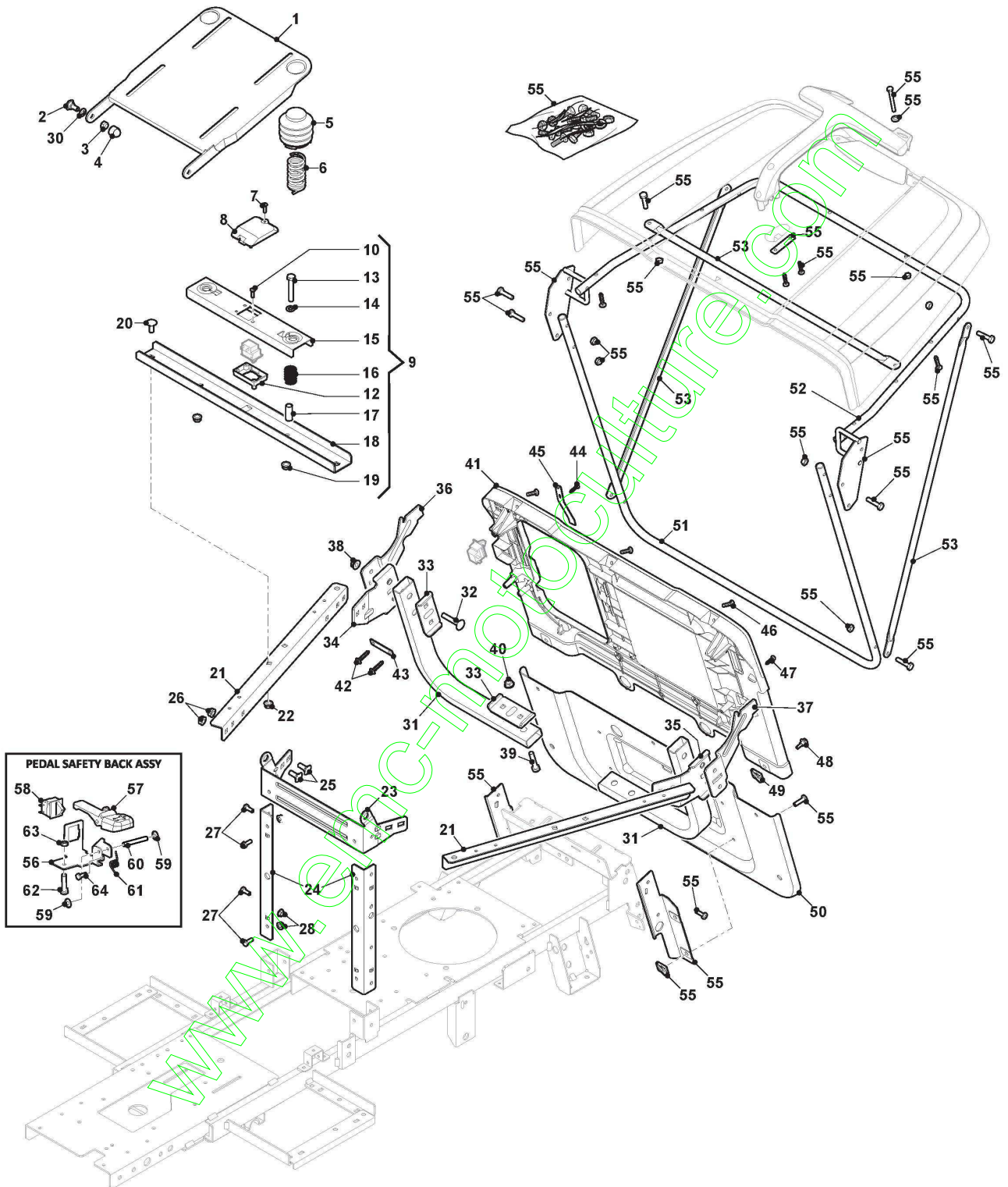
| Réf. N° | Q.té : | Code article | Description | Articles | De | Jusqu'à |
|---------|--------|--------------|--|----------|----|---------|
| 1 | 1 | 325961220/0 | Volant | | | |
| 2 | 1 | 327110486/0 | Couvercle de direction supérieur, Gris | | | |
| 2 | 1 | 327110487/0 | Couvercle de direction supérieur, Noire | | | |
| 3 | 1 | 327110537/0 | Couvercle de direction avant, Noir | | | |
| 4 | 4 | 125943010/0 | Vis | | | |
| 5 | 1 | 327110483/0 | Couvercle de colonne de direction arrière, Gris | | | |
| 5 | 1 | 327110522/0 | Couvercle de colonne de direction arrière, Noire | | | |
| 6 | 4 | 112728300/0 | Vis | | | |
| 7 | 1 | 327500501/0 | Marchepied Droit | | | |
| 8 | 1 | 327500500/0 | Marchepied Gauche | | | |
| 9 | 14 | 112735402/0 | Vis | | | |
| 10 | 1 | 327110566/0 | Couvre Central, Gris | | | |
| 10 | 1 | 327110568/0 | Couvre Central, Noir | | | |
| 11 | 2 | 112728300/0 | Vis | | | |
| 12 | 1 | 327110533/0 | Couverture de roue arrière droite, Noir | | | |
| 13 | 1 | 327110534/0 | Couverture de roue arrière gauche, Noir | | | |
| 14 | 6 | 112727801/0 | Vis | | | |
| 15 | 6 | 112728300/0 | Vis | | | |
| 16 | 1 | 327110480/1 | Couvercle Gris | | | |
| 16 | 1 | 327110521/1 | Couverture de cadre, Noir | | | |
| 17 | 10 | 112437507/0 | Plaquette | | | |
| 19 | 6 | 125943010/0 | Vis | | | |
| 21 | 1 | 327110481/1 | Couvre Moteur Noir | | | |
| 22 | 1 | 327110536/0 | Couvercle Arrier Noire | | | |
| 24 | 1 | 327394004/0 | Poignée Noir | | | |
| 25 | 1 | 327110535/0 | Couvre-Bac Noir | | | |
| 26 | 1 | 184106074/0 | Sac, Toile | | | |
| 27 | 4 | 112793101/0 | Vis | | | |
| 28 | 4 | 112583500/0 | Grower | | | |
| 29 | 4 | 112523060/0 | Rondelle | | | |
| 31 | 1 | 325580503/0 | Plaque Volant | | | |
| 40 | 1 | 125722470/0 | Siege | | | |

www.emc-motoculture.com



Chassis

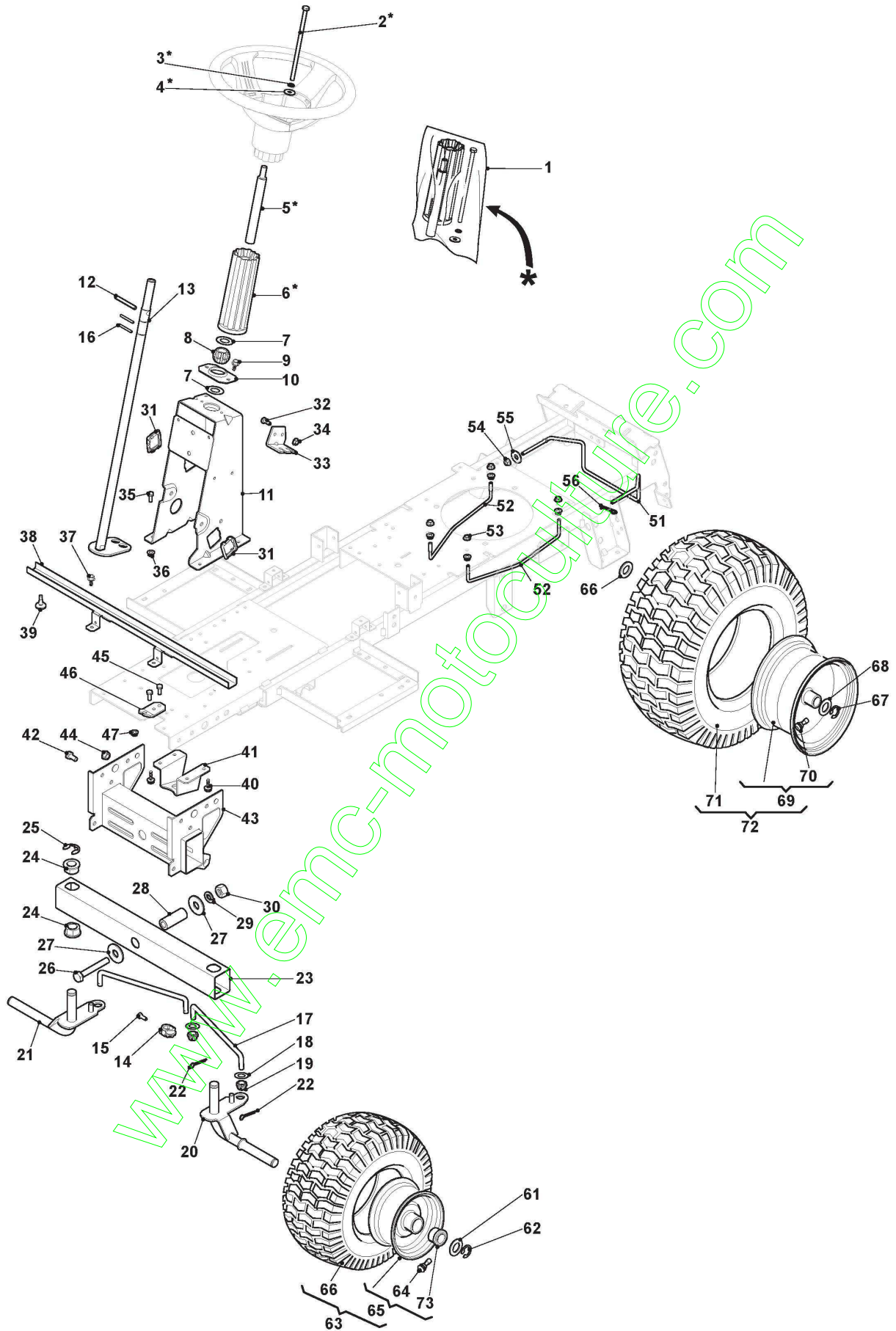
| Réf. N° | Q.té : | Code article | Description | Articles | De | Jusqu'à |
|---------|--------|--------------|---|----------|----|---------|
| 1 | 1 | 382547061/0 | Plaquette | | | |
| 2 | 2 | 122524970/3 | Goupille | | | |
| 3 | 2 | 112155010/0 | Ecrou | | | |
| 4 | 2 | 118203854/0 | Capot | | | |
| 5 | 2 | 327737500/0 | Protecteur | | | |
| 6 | 2 | 127430589/0 | Ressort | | | |
| 7 | 1 | 112728706/0 | Vis | | | |
| 8 | 1 | 327110508/0 | Couvercle D'Interrupteur De Siège, Noir | | | |
| 9 | 1 | 384394751/1 | Micro interrupteur | | | |
| 10 | 2 | 112728697/0 | Vis | | | |
| 12 | 1 | 325785379/1 | Support | | | |
| 13 | 2 | 112691400/0 | Vis | | | |
| 14 | 2 | 112521350/0 | Rondelle | | | |
| 15 | 1 | 327543047/0 | Plaque | | | |
| 16 | 2 | 125430263/0 | Ressort | | | |
| 17 | 2 | 125160048/0 | Entretoise | | | |
| 18 | 1 | 327787089/0 | Support | | | |
| 19 | 2 | 112293201/0 | Ecrou | | | |
| 20 | 2 | 112818700/0 | Vis | | | |
| 21 | 2 | 327650131/0 | Renforcer supérieur | | | |
| 22 | 2 | 112293201/0 | Ecrou | | | |
| 23 | 1 | 327543039/0 | Plaquette de support | | | |
| 24 | 2 | 327010209/0 | Angulaire | | | |
| 25 | 8 | 112818700/0 | Vis | | | |
| 26 | 8 | 112293201/0 | Ecrou | | | |
| 27 | 8 | 112791400/0 | Vis | | | |
| 28 | 8 | 112154510/0 | Ecrou | | | |
| 30 | 2 | 9694-0001-00 | Rondelle | | | |
| 31 | 2 | 327869063/0 | Tube | | | |
| 32 | 4 | 112819105/0 | Vis | | | |
| 33 | 4 | 327543029/0 | Plaque | | | |
| 34 | 1 | 327772171/0 | Etrier Droit | | | |
| 35 | 1 | 327772225/0 | Etrier Gauche | | | |
| 36 | 1 | 327772213/0 | Etrier Droit | | | |
| 37 | 1 | 327772215/1 | Support | | | |
| 38 | 4 | 112154210/0 | Ecrou | | | |
| 39 | 4 | 112691115/0 | Vis | | | |
| 40 | 4 | 112154210/0 | Ecrou | | | |
| 41 | 1 | 327543027/0 | Plaque | | | |
| 42 | 4 | 112728300/0 | Vis | | | |
| 43 | 2 | 322545142/0 | Plaquette | | | |
| 44 | 1 | 112728300/0 | Vis | | | |
| 45 | 1 | 127430600/0 | Ressort | | | |
| 46 | 3 | 112727801/0 | Vis | | | |
| 47 | 2 | 112728300/0 | Vis | | | |
| 48 | 2 | 125943010/0 | Vis | | | |
| 49 | 2 | 112437507/0 | Plaquette | | | |
| 50 | 1 | 327543025/0 | Plaque | | | |



Chassis

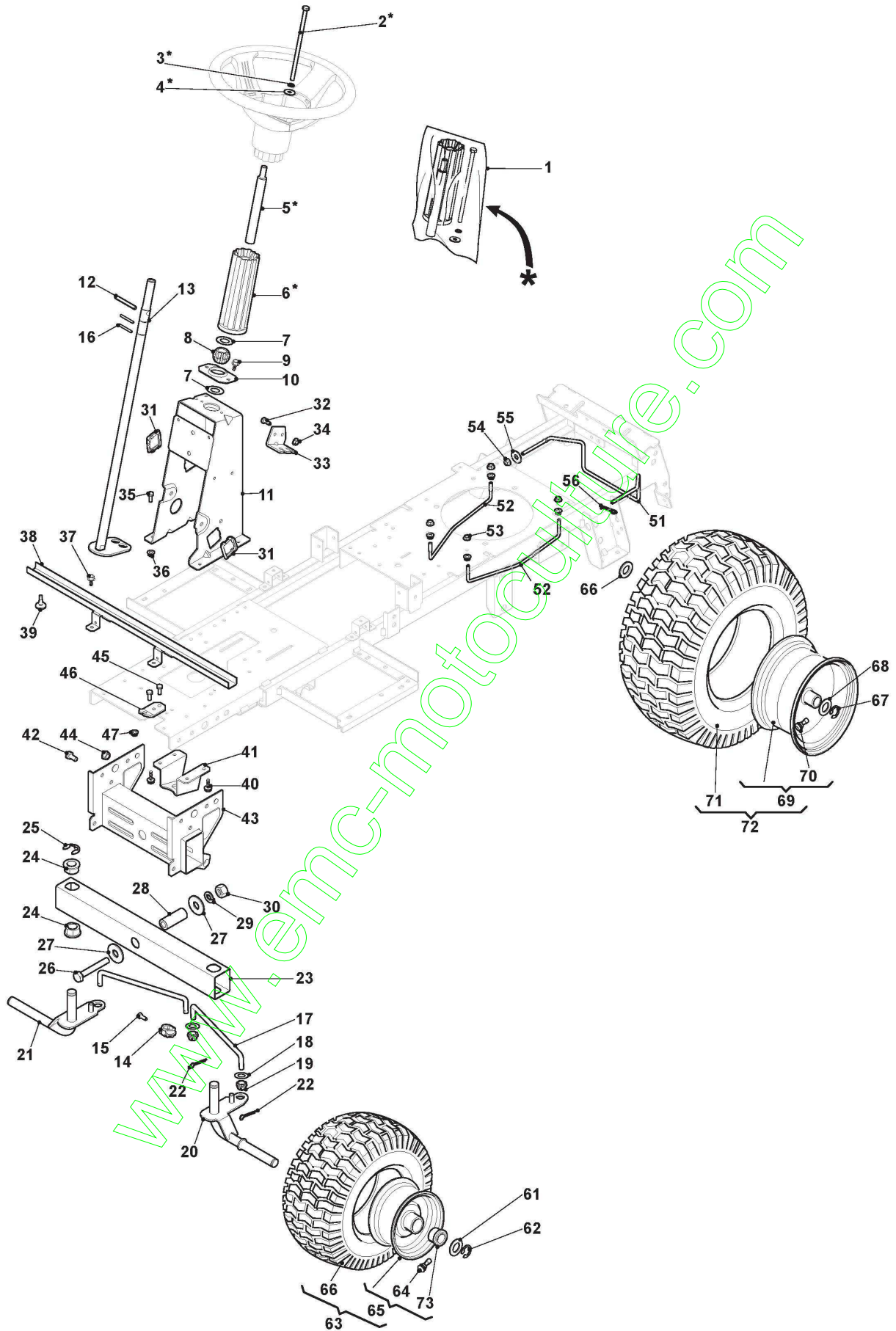
| Réf. N° | Q.té : | Code article | Description | Articles | De | Jusqu'à |
|---------|--------|--------------|--------------------------|----------|----|---------|
| 51 | 1 | 384801145/0 | Chassis Bac De Ramassage | | | |
| 52 | 1 | 384801147/0 | Chassis Superieur Bac | | | |
| 53 | 3 | 327650133/0 | Renforcer supérieur | | | |
| 55 | 1 | 384180218/1 | Dotation Visserie | | | |
| 56 | 1 | 327772241/0 | Etrier | | | |
| 57 | 1 | 327500065/0 | Pedal | | | |
| 58 | 1 | 119410623/0 | Microinterrupteur | | | |
| 59 | 1 | 112604896/0 | Fixateur A Couronne | | | |
| 60 | 1 | 122517866/0 | Pivot | | | |
| 61 | 1 | 122450457/0 | Ressort | | | |
| 62 | 2 | 112791400/0 | Vis | | | |
| 63 | 2 | 112292102/0 | Ecrou | | | |
| 64 | 1 | 112728440/0 | Vis | | | |

www.emc-motoculture.com



Barre De Direction

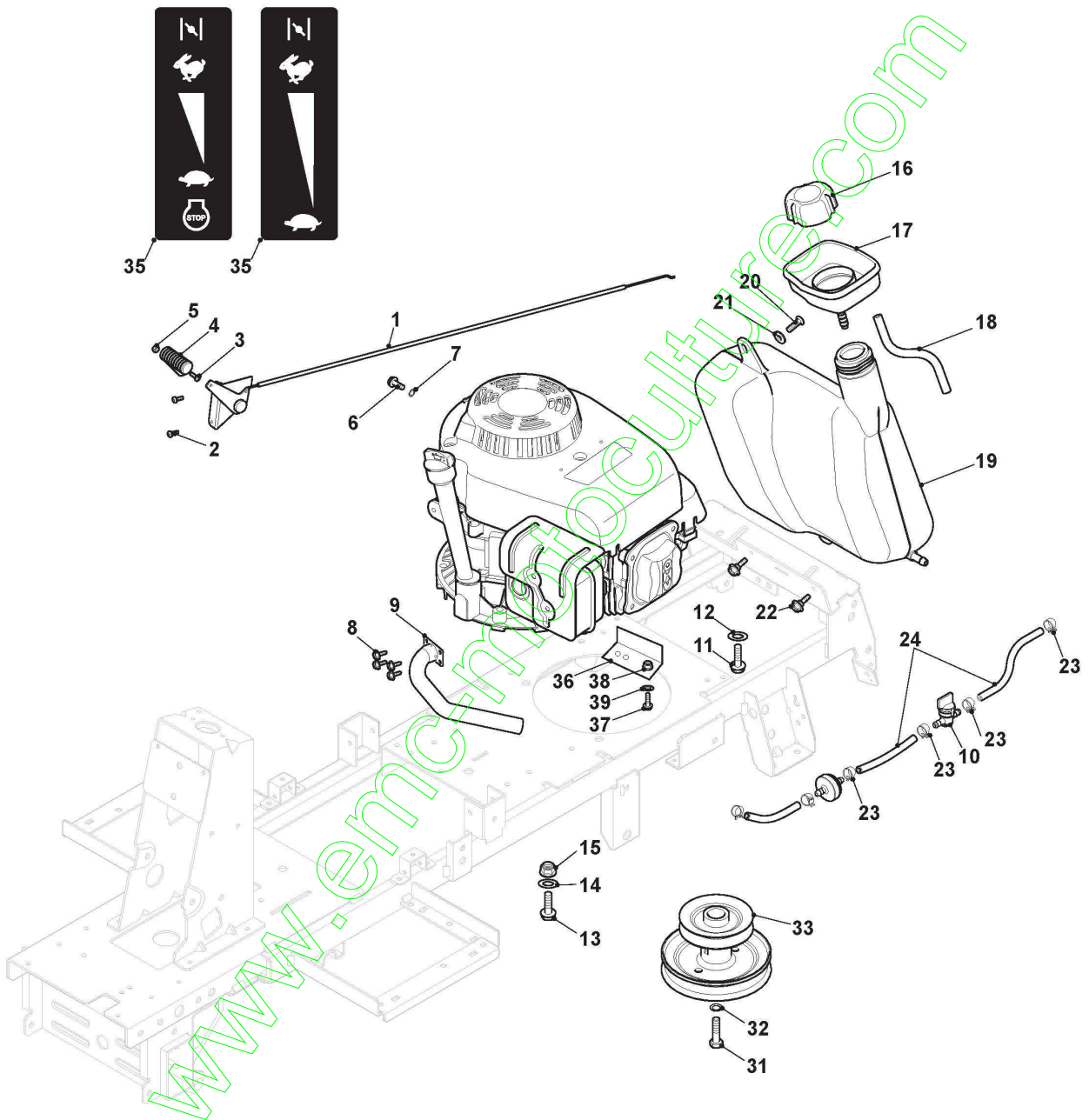
| Réf. N° | Q.té : | Code article | Description | Articles | De | Jusqu'à |
|---------|--------|--------------|----------------------------------|----------------------------|----|---------|
| 1 | 1 | 384180219/0 | Équipement de fixation de volant | | | |
| 2 | 1 | 127840055/0 | Tige | | | |
| 3 | 1 | 112540260/0 | Rondelle | | | |
| 4 | 1 | 112523070/0 | Rondelle | | | |
| 5 | 1 | 127160060/0 | colonne d'extension | | | |
| 6 | 1 | 325785419/0 | Support Volant | | | |
| 7 | 2 | 125670023/0 | Rondelle | | | |
| 8 | 1 | 122746617/0 | Joint | | | |
| 10 | 1 | 327787091/0 | Support Joint | | | |
| 11 | 1 | 384773575/0 | Support avant | | | |
| 12 | 1 | 112620300/0 | Goupille 6x50 | | | |
| 13 | 1 | 384520051/0 | Tube De Direction | | | |
| 14 | 1 | 327045074/0 | Douille | | | |
| 15 | 2 | 125943004/0 | Vis | | | |
| 16 | 2 | 112620210/0 | Goupille Élastique | | | |
| 17 | 2 | 127034091/0 | Tige | | | |
| 18 | 4 | 112521350/0 | Rondelle | | | |
| 19 | 4 | 327045072/0 | Douille | | | |
| 20 | 1 | 384230411/0 | Fuseau Gauche | for wheels 11"-13"/13"-15" | | |
| 21 | 1 | 384230409/0 | Fuseau Droit | for wheels 11"-13"/13"-15" | | |
| 22 | 4 | 124487995/0 | Goupille | | | |
| 23 | 1 | 327869061/0 | Tube | | | |
| 24 | 4 | 127047019/0 | Douille | | | |
| 25 | 2 | 112000970/0 | Anneau (Benzing) | | | |
| 26 | 1 | 112794950/0 | Vis | | | |
| 27 | 2 | 112523080/0 | Rondelle | | | |
| 28 | 1 | 127160062/0 | Entretoise | | | |
| 29 | 1 | 112585100/0 | Rondelle | | | |
| 30 | 1 | 112295200/0 | Ecrou | | | |
| 31 | 2 | 327580500/0 | Plaque | | | |
| 32 | 2 | 112791200/1 | Vis | | | |
| 33 | 1 | 327772199/0 | étrier avant | | | |
| 34 | 2 | 112292102/0 | Ecrou | | | |
| 35 | 4 | 112791200/1 | Vis | | | |
| 36 | 4 | 112292102/0 | Ecrou | | | |
| 37 | 4 | 112735122/1 | Vis | | | |
| 38 | 1 | 384783061/0 | Support Marchepied | | | |
| 39 | 1 | 127275000/0 | Caoutchouc | | | |
| 40 | 4 | 112735122/1 | Vis | | | |
| 41 | 1 | 327772165/1 | Etrier | | | |
| 42 | 4 | 112792611/0 | Vis | | | |
| 43 | 1 | 384783059/0 | Support Avantrain | | | |
| 44 | 4 | 112293201/0 | Ecrou | | | |
| 45 | 2 | 112791200/1 | Vis | | | |
| 46 | 1 | 327772209/0 | Etrier | | | |
| 47 | 2 | 112292102/0 | Ecrou | | | |
| 51 | 1 | 127294009/0 | Guide De Courroie Poulie | | | |
| 52 | 2 | 127294010/1 | Guide De Courroie Poulie | | | |



Barre De Direction

| Réf. N° | Q.té : | Code article | Description | Articles | De | Jusqu'à |
|---------|--------|--------------|----------------------------------|----------|----|---------|
| 53 | 8 | 112292102/0 | Ecrou | | | |
| 54 | 1 | 112154510/0 | Ecrou | | | |
| 55 | 1 | 112521330/0 | Rondelle | | | |
| 56 | 1 | 124487997/0 | Goupille | | | |
| 61 | 2 | 112521390/0 | Rondelle | | | |
| 62 | 2 | 112000970/0 | Anneau (Benzing) | | | |
| 63 | 2 | 384680073/0 | Roue Avant | 11" | | |
| 64 | 2 | 125950000/0 | Vanne | | | |
| 65 | 2 | 184044014/0 | Bandage Roue Arriere | 11" | | |
| 66 | 2 | 127590067/0 | Pneu 11x4.00-4 PR2 TL P512 WANDA | 11" | | |
| 67 | 2 | 112001010/0 | Anneau Benzing | | | |
| 68 | 4 | 125670005/2 | Rondelle | | | |
| 69 | 2 | 184044013/0 | Bandage Roue Arriere | | | |
| 70 | 2 | 125950000/0 | Vanne | | | |
| 71 | 2 | 125590018/0 | Pneu 13x5.00-6 P512 WANDA | 13" | | |
| 72 | 2 | 384680075/0 | Roue Arriere | 13" | | |

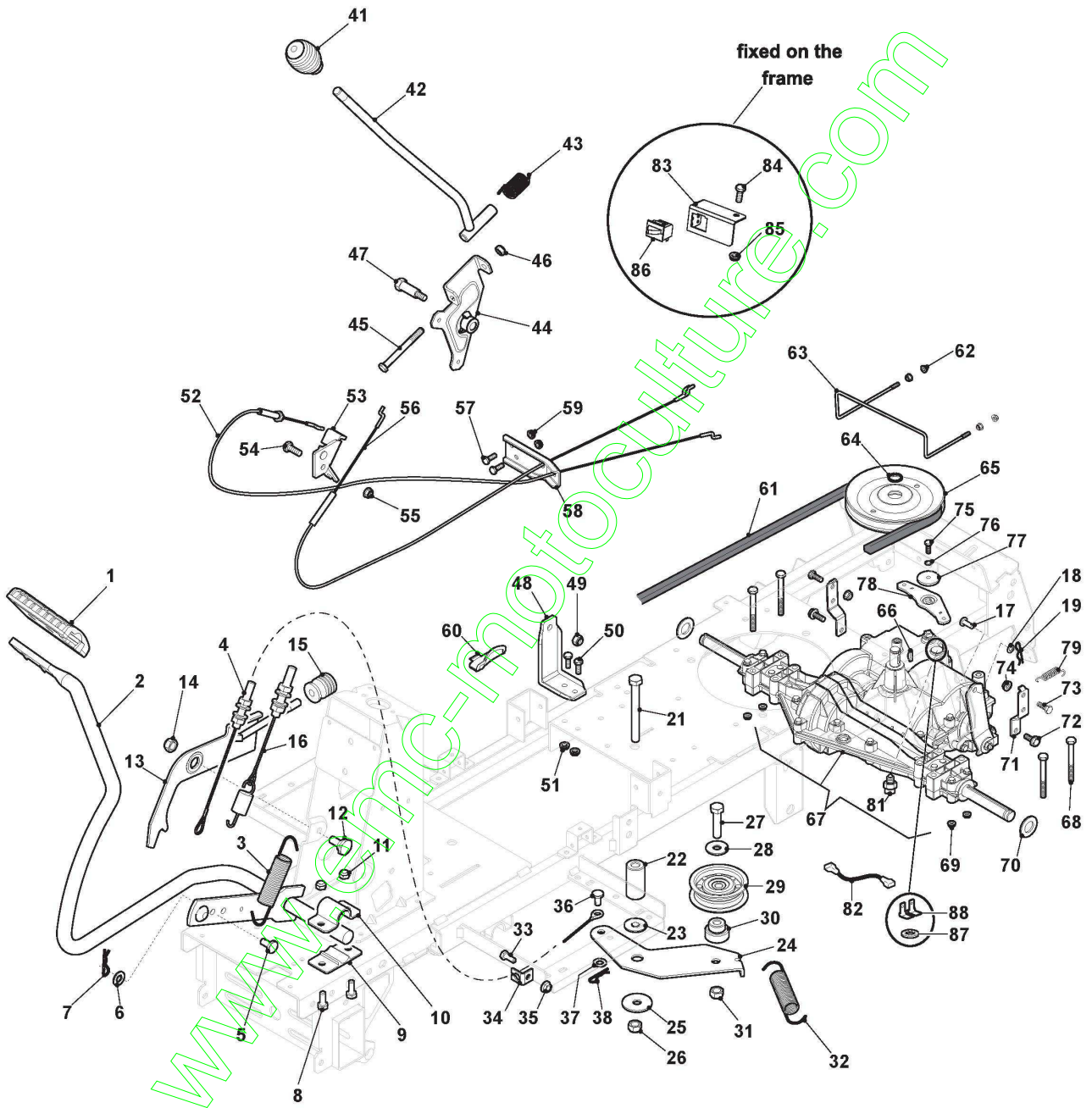
www.emc-motoculture.com



Moteur - ST.

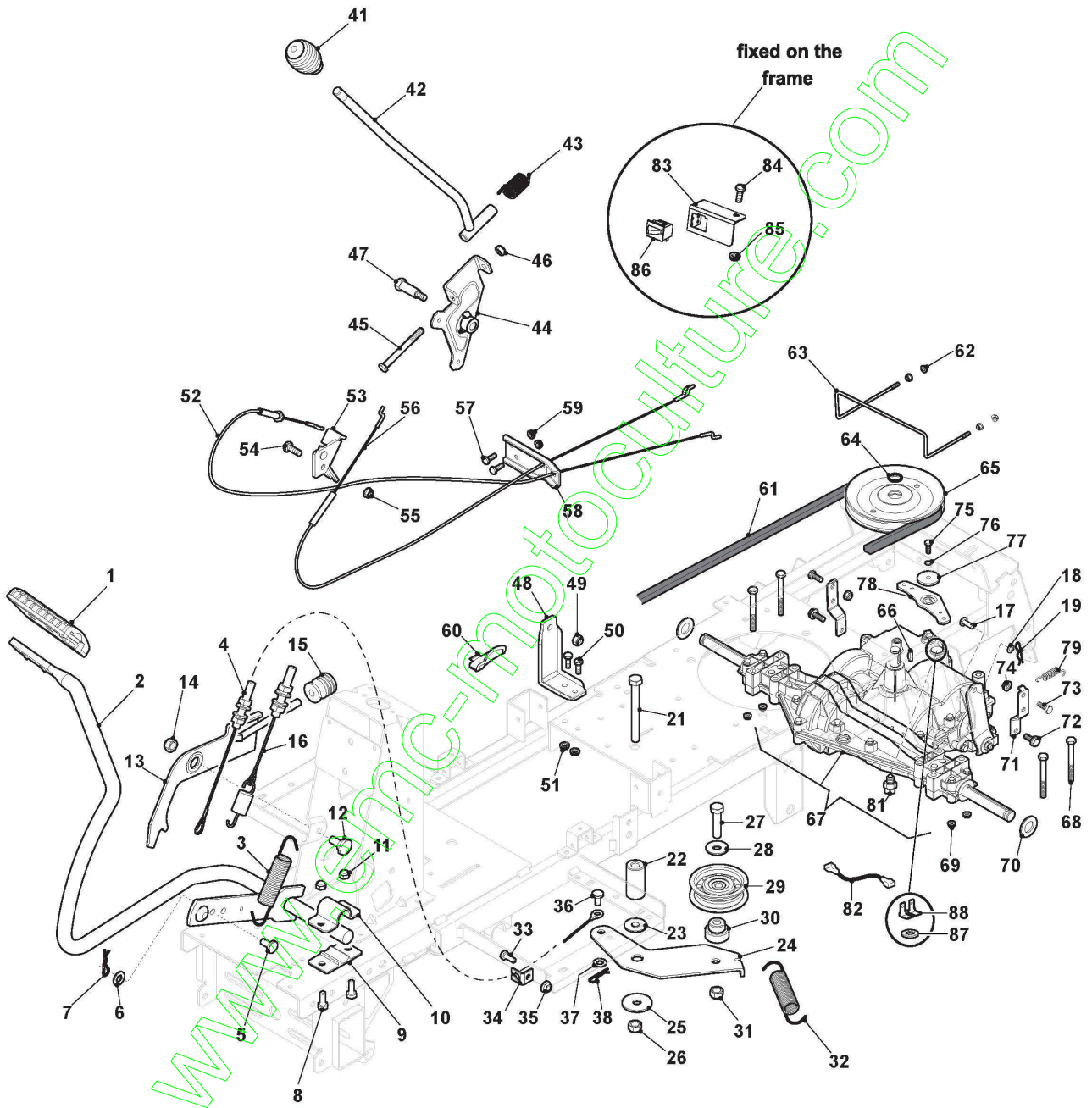
| Réf. N° | Q.té : | Code article | Description | Articles | De | Jusqu'à |
|---------|--------|--------------|--------------------------------|---------------|--------------------------------|----------------------------|
| 1 | 1 | 184000257/0 | Câble Accélérateur | | | |
| 2 | 2 | 112726389/0 | Vis | | From | |
| 2 | 2 | 125943012/0 | Vis | | | To 31-Decemb er-2019 |
| 3 | 1 | 112726388/0 | Vis | | | |
| 3 | 1 | 112726389/0 | Vis | | From | |
| 4 | 1 | 125394501/0 | Poignée | | 01-January- 2020 | |
| 5 | 1 | 112290800/0 | Ecrou | | | |
| 6 | 1 | 112735599/0 | Vis | | | |
| 7 | 1 | 112540040/0 | Rondelle | | | |
| 8 | 4 | 112735110/0 | Vis | | | |
| 9 | 1 | 118738261/1 | Tuyau de raccord d'échappement | | From S/N 19AA1RON 001830 | |
| 10 | 1 | 118562996/0 | Rubinet | | | |
| 11 | 2 | 112735109/2 | Vis | | | |
| 12 | 2 | 112540070/0 | Rondelle | | | |
| 13 | 1 | 112691200/0 | Vis | | | To 31-Decemb er-2019 |
| 13 | 1 | 112791213/1 | Vis | | From | |
| 14 | 1 | 112521350/0 | Rondelle | | | |
| 15 | 1 | 112154210/0 | Ecrou | | | |
| 16 | 1 | 127790000/1 | Bouchon Reservoir | | | |
| 17 | 1 | 327600180/0 | Protection de réservoir | | | |
| 18 | 1 | 327869054/1 | Tube De Echappement | | | |
| 19 | 1 | 327733008/0 | Réservoir à carburant | | | |
| 20 | 1 | 112727801/0 | Vis | | | |
| 21 | 1 | 112523040/0 | Rondelle | | | |
| 22 | 2 | 125943010/0 | Vis | | | |
| 23 | 4 | 118375051/1 | Fixation De Cable | | | |
| 24 | 1 | 325869035/1 | Tube De Connexion | | | |
| 31 | 1 | 112735694/0 | Vis | Wheels Type B | | |
| 32 | 1 | 112543000/0 | Rondelle | | | |
| 33 | 1 | 384601501/1 | Riemenscheibe | Wheels Type B | | |
| 35 | 1 | 114366874/0 | Etiquette | | | |
| 36 | 1 | 327772239/0 | Etrier | | | |
| 37 | 3 | 112791200/1 | Vis | | | To 31-Decemb er-2019 |
| 37 | 3 | 112791213/1 | Vis | | From | |
| 38 | 3 | 112154510/0 | Ecrou | | | |
| 39 | 2 | 9694-0001-00 | Rondelle | | | |

www.emc-motoculture.com



Transmission

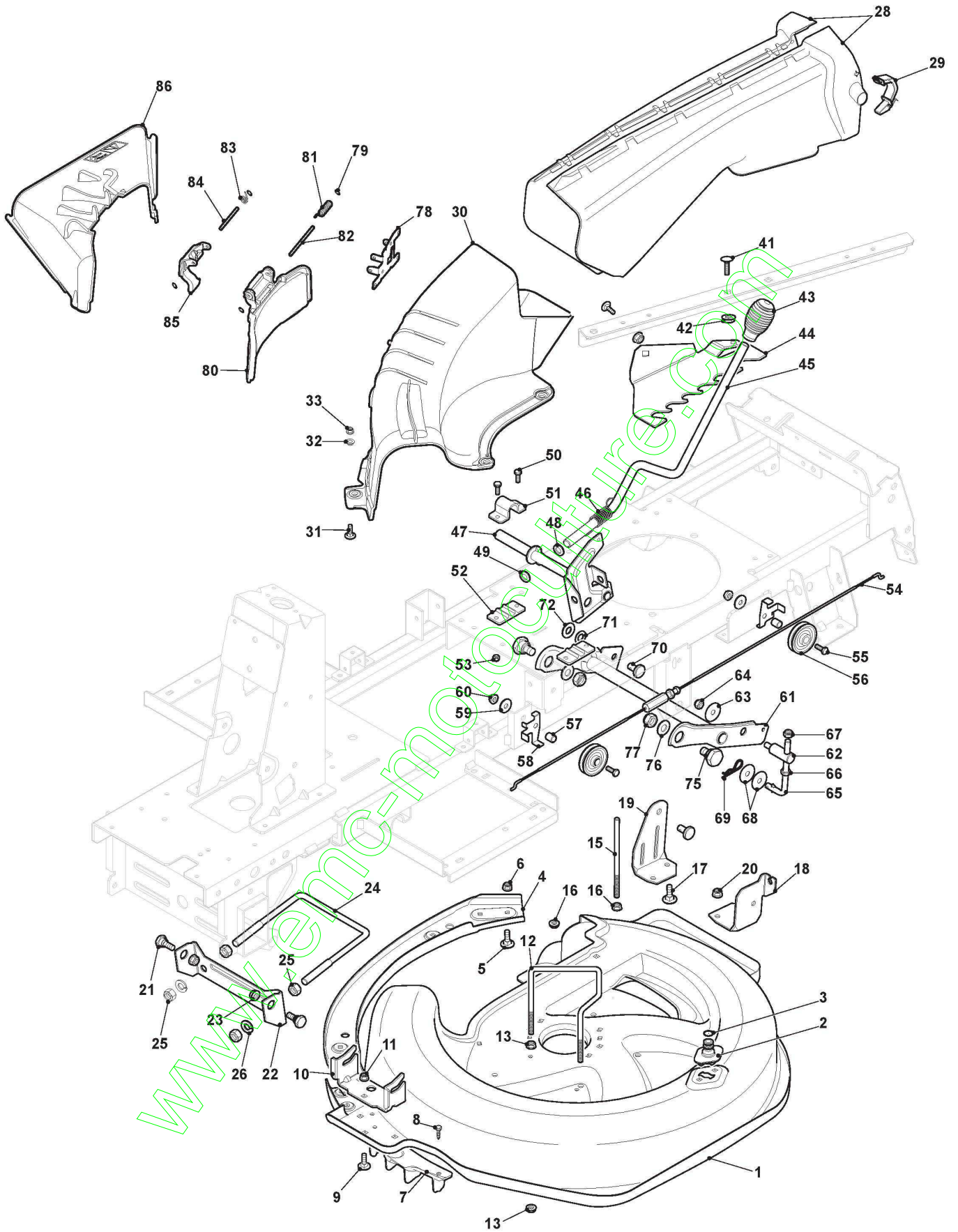
| Réf. N° | Q.té : | Code article | Description | Articles | De | Jusqu'à |
|---------|--------|--------------|----------------------------------|----------|----------|----------|
| 1 | 1 | 325110391/0 | Couvre Etrier | | | |
| 2 | 1 | 384503013/0 | Pedal | | | |
| 3 | 2 | 127430594/0 | Ressort | | | |
| 4 | 1 | 384004607/0 | Câble de commande Poulie | | | |
| 5 | 1 | 127510120/0 | Pivot | | | |
| 6 | 1 | 112521350/0 | Rondelle | | | |
| 7 | 1 | 124487997/0 | Goupille | | | |
| 8 | 4 | 112791400/0 | Vis | | | |
| 9 | 2 | 325785350/0 | Support | | | |
| 10 | 2 | 325547231/0 | Plaquette | | | To S/N |
| 10 | 2 | 325547231/1 | Plaquette | | From S/N | 00142501 |
| 11 | 4 | 112154510/0 | Ecrou | | 20JA3RON | |
| 12 | 1 | 122524970/3 | Goupille | | 000567 | |
| 13 | 1 | 384002097/0 | Tige Commande Frein | | | |
| 14 | 1 | 112154210/0 | Ecrou | | | |
| 15 | 1 | 127395050/1 | Poignée | | | |
| 16 | 1 | 384004603/0 | Cable Frein Moteur | | | |
| 17 | 1 | 127510120/0 | Pivot | | | |
| 18 | 1 | 325670011/0 | Rondelle Antifriction | | | |
| 19 | 1 | 124487997/0 | Goupille | | | |
| 21 | 1 | 112691900/0 | Vis | | | |
| 22 | 1 | 127160065/0 | Entretoise | | | |
| 23 | 1 | 122041980/0 | Douille | | | |
| 24 | 1 | 384307003/0 | Levier | | | |
| 25 | 1 | 112523070/0 | Rondelle | | | |
| 26 | 1 | 112155000/0 | Ecrou | | | |
| 27 | 1 | 112691115/0 | Vis | | | |
| 28 | 1 | 112523060/0 | Rondelle | | | |
| 29 | 1 | 127604015/0 | Poulie | | | |
| 30 | 1 | 127160064/0 | Entretoise | | | |
| 31 | 1 | 112155000/0 | Ecrou | | | |
| 32 | 1 | 127430594/0 | Ressort | | | |
| 33 | 1 | 112791200/1 | Vis | | | |
| 34 | 1 | 322806619/0 | Support | | | |
| 35 | 1 | 112292102/0 | Ecrou | | | |
| 36 | 1 | 127510120/0 | Pivot | | | |
| 37 | 1 | 112521350/0 | Rondelle | | | |
| 38 | 1 | 125110802/0 | Goupille | | | |
| 41 | 1 | 125394510/0 | Poignée | | | |
| 42 | 1 | 384317097/0 | Levier, Comm. Changement Vitesse | | | |
| 43 | 1 | 125430226/0 | Ressort | | | |
| 44 | 1 | 384773579/0 | Etrier | | | |
| 45 | 1 | 112692050/0 | Vis | | | |
| 46 | 1 | 112155000/0 | Ecrou | | | |
| 47 | 1 | 127510122/1 | Etrier | | | |
| 48 | 1 | 327772197/0 | Etrier | | | |
| 49 | 1 | 112154210/0 | Ecrou | | | |
| 50 | 2 | 112791200/1 | Vis | | | |



Transmission

| Réf. N° | Q.té : | Code article | Description | Articles | De | Jusqu'à |
|---------|--------|--------------|---|--|----|---------|
| 51 | 2 | 112292102/0 | Ecrou | | | |
| 52 | 1 | 384004602/0 | Fil | | | |
| 53 | 1 | 327772195/0 | étrier avant | | | |
| 54 | 1 | 112792611/0 | Vis | | | |
| 55 | 1 | 112293201/0 | Ecrou | | | |
| 56 | 1 | 384004609/0 | Fil | | | |
| 57 | 2 | 112791200/1 | Vis | | | |
| 58 | 1 | 327787093/0 | Support | | | |
| 59 | 2 | 112292102/0 | Ecrou | | | |
| 60 | 1 | 327110509/0 | Couverture de fermeture centrale | | | |
| 61 | 1 | 135061430/0 | Courroie | | | |
| 62 | 4 | 112292102/0 | Ecrou | | | |
| 63 | 1 | 127294011/0 | Guide De Courroie Poulie | | | |
| 64 | 1 | 112608950/0 | Seeger | | | |
| 65 | 1 | 182601509/0 | Poulie | | | |
| 66 | 1 | 112139430/0 | Langnette | | | |
| 67 | 1 | 118400981/1 | Groupe Transmission (Peerless MST-204-581A) | | | |
| 68 | 4 | 112691800/0 | Vis | | | |
| 69 | 4 | 112154210/0 | Ecrou | | | |
| 70 | 4 | 125670005/2 | Rondelle | | | |
| 71 | 2 | 327772189/0 | Etrier | | | |
| 72 | 2 | 112735150/0 | Vis | | | |
| 73 | 2 | 112792611/0 | Vis | | | |
| 74 | 2 | 112293201/0 | Ecrou | | | |
| 75 | 1 | 112735520/0 | Vis | | | |
| 76 | 1 | 112540040/0 | Rondelle | | | |
| 77 | 1 | 322680009/0 | Rondelle | | | |
| 78 | 1 | 327543055/0 | Plaque | | | |
| 79 | 1 | 127430597/0 | Ressort | | | |
| 81 | 1 | 119410608/1 | Micro. Point Mort (Mec.) | | | |
| 82 | 1 | 127065069/0 | Fil | | | |
| 83 | 1 | 327787109/0 | Halter | | | |
| 84 | 1 | 112791400/0 | Vis | | | |
| 85 | 1 | 112292102/0 | Ecrou | | | |
| 86 | 1 | 119410614/0 | Microinterrupteur | | | |
| 87 | 2 | 112540221/0 | Rondelle | | | |
| 88 | 2 | 133800001/0 | Faston Terminal | No more supplied with the transmission | | |

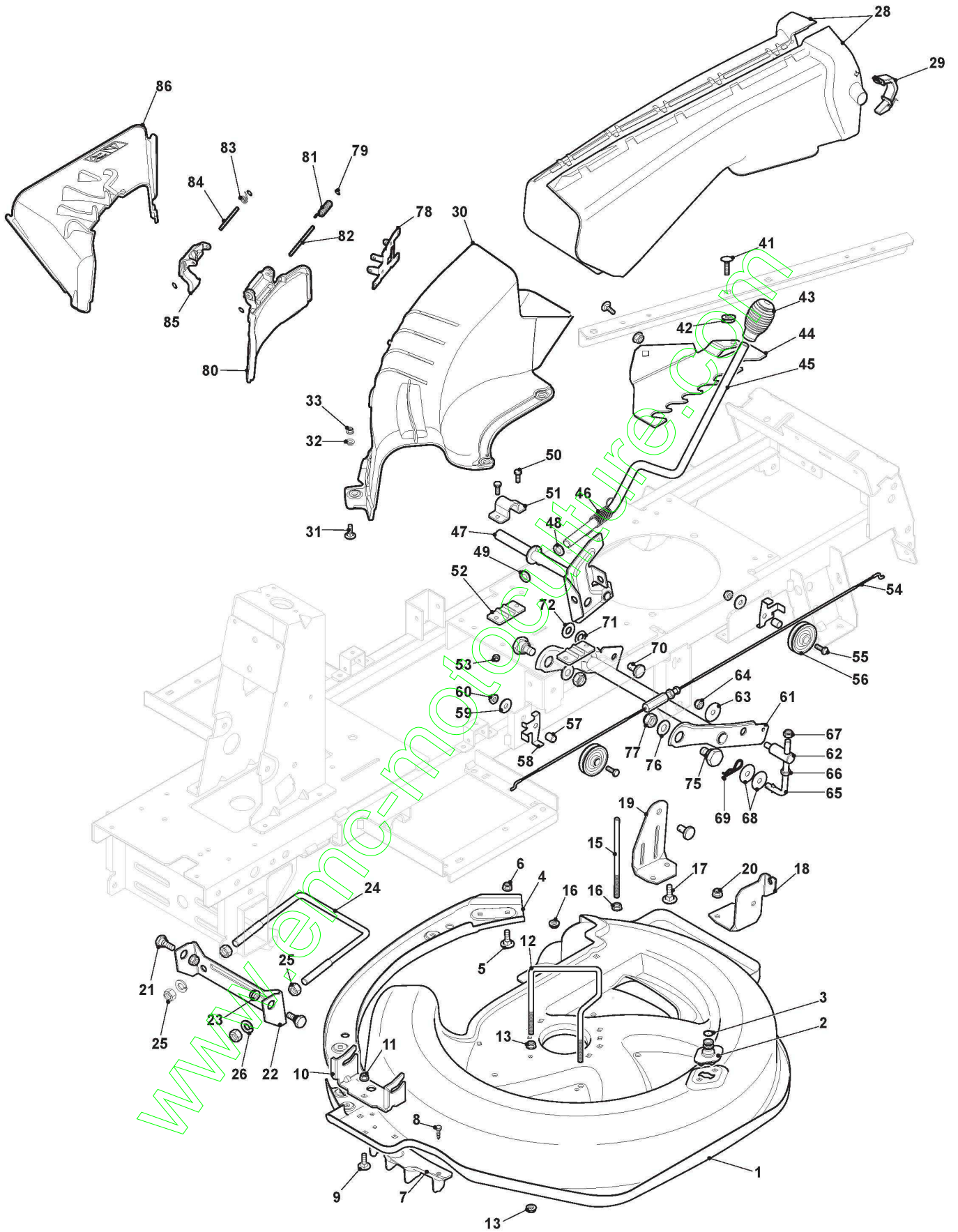
www.emc-motoculture.com



Plateau De Coupe

| Réf. N° | Q.té : | Code article | Description | Articles | De | Jusqu'à |
|---------|--------|--------------|----------------------------------|----------|----------------------|------------------------------|
| 1 | 1 | 384564114/0 | Plateau De Coupe Noir | | | To S/N 20LA3RON 007215 |
| 1 | 2 | 384564114/1 | Plateau De Coupe Noir | | From S/N 20LA3RON | |
| 2 | 1 | 325033086/0 | Raccord Tuyau D'Eau | | | |
| 3 | 1 | 119035000/0 | Joint Or | | | |
| 4 | 1 | 384650107/0 | Renforcement | | | |
| 5 | 4 | 112815200/0 | Vis | | | |
| 6 | 4 | 112292102/0 | Ecrou | | | |
| 7 | 1 | 327488001/0 | Peigne Avant | | | |
| 8 | 3 | 112735402/0 | Vis | | | |
| 9 | 3 | 112818690/0 | Vis | | | |
| 10 | 1 | 327772175/0 | étrier avant | | | |
| 11 | 3 | 112154210/0 | Ecrou | | | |
| 12 | 1 | 127294008/0 | Guide De Courroie Poulie | | | |
| 13 | 4 | 112292102/0 | Ecrou | | | |
| 15 | 1 | 127580077/0 | Guide Curroire | | | |
| 16 | 2 | 112293201/0 | Ecrou | | | |
| 17 | 4 | 112818690/0 | Vis | | | |
| 18 | 1 | 327772179/0 | Etrier Gauche | | | |
| 19 | 1 | 327772177/0 | Etrier Droit | | | |
| 20 | 4 | 112154210/0 | Ecrou | | | |
| 21 | 2 | 127510121/0 | Plaque | | | |
| 22 | 1 | 327543043/0 | Plaque | | | |
| 23 | 2 | 112154210/0 | Ecrou | | | |
| 24 | 1 | 127840056/0 | Tirant | | | |
| 25 | 4 | 112293200/0 | Ecrou | | | |
| 26 | 2 | 112585100/0 | Rondelle | | | |
| 28 | 1 | 384108054/0 | Convoyeur | | | |
| 29 | 2 | 325774499/0 | Etrier | | | |
| 30 | 1 | 327107504/0 | Convoyeur | | | |
| 31 | 4 | 112815200/0 | Vis | | | |
| 32 | 4 | 325160039/0 | Entretoise | | | |
| 33 | 4 | 112292102/0 | Ecrou | | | |
| 41 | 2 | 112818690/0 | Vis | | | |
| 42 | 2 | 112293200/0 | Ecrou | | | |
| 43 | 1 | 125394510/0 | Poignée | | | |
| 44 | 1 | 327734067/0 | Secteur Reglage Hauteur | | | |
| 45 | 1 | 327315135/0 | Levier Soulevament Plateau Coupe | | | |
| 46 | 1 | 127430595/0 | Ressort | | | |
| 47 | 1 | 384001035/1 | Axe Point d'Appui | | | |
| 48 | 1 | 112521370/0 | Rondelle | | | |
| 49 | 1 | 122020050/0 | Anneau | | | |
| 50 | 4 | 112791400/0 | Vis | | | |
| 51 | 2 | 325547231/0 | Plaquette | | | To S/N 20JA3RON 000566 |
| 51 | 2 | 325547231/1 | Plaquette | | From S/N 20JA3RON | |
| 52 | 2 | 325785350/0 | Support | | | |
| 53 | 4 | 112154510/0 | Ecrou | | | |
| 54 | 1 | 384004600/0 | Fil | | | To S/N 54264 |
| 54 | 1 | 384004600/1 | Fil | | From S/N | |

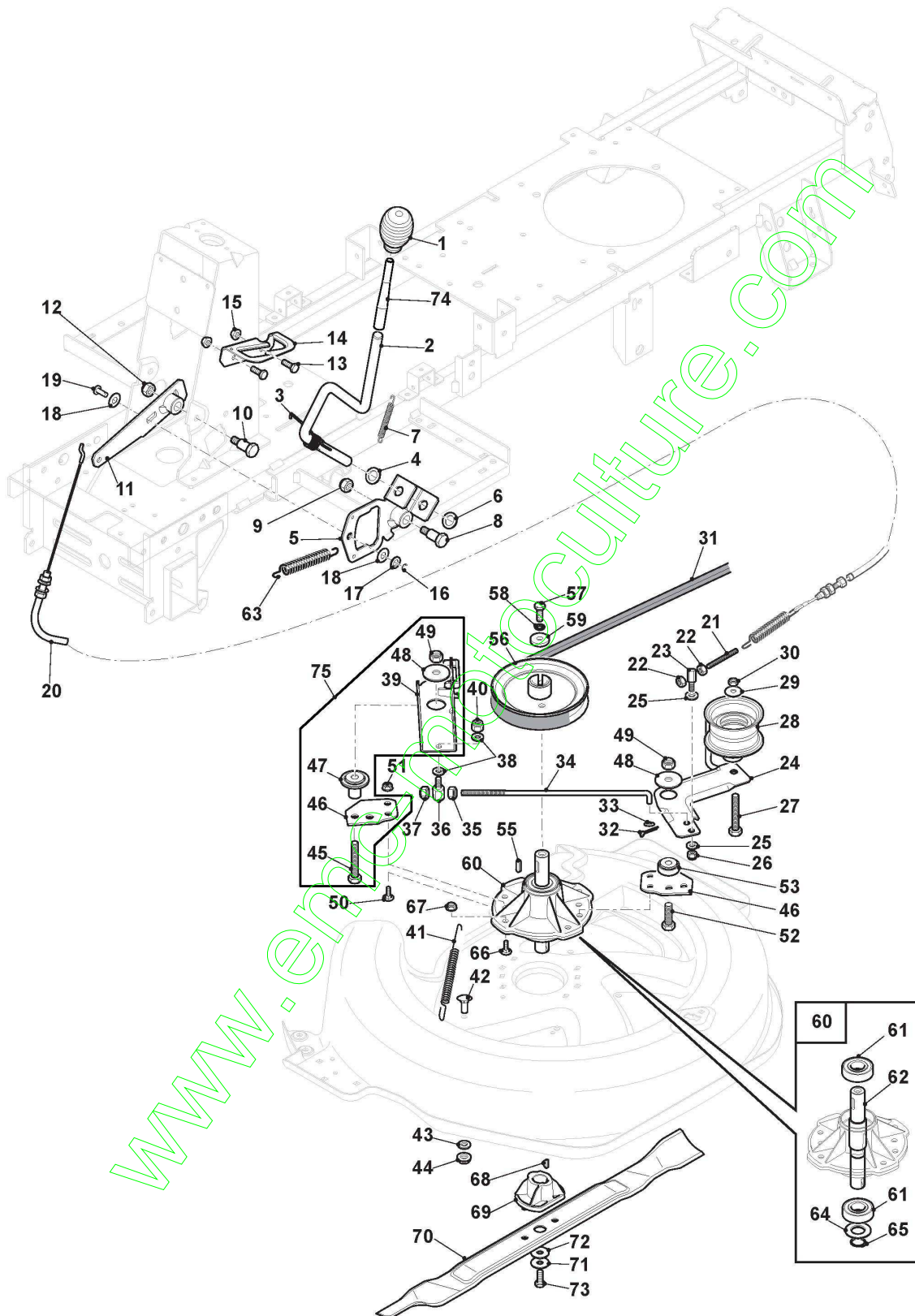
www.emc-motoculture.com



Plateau De Coupe

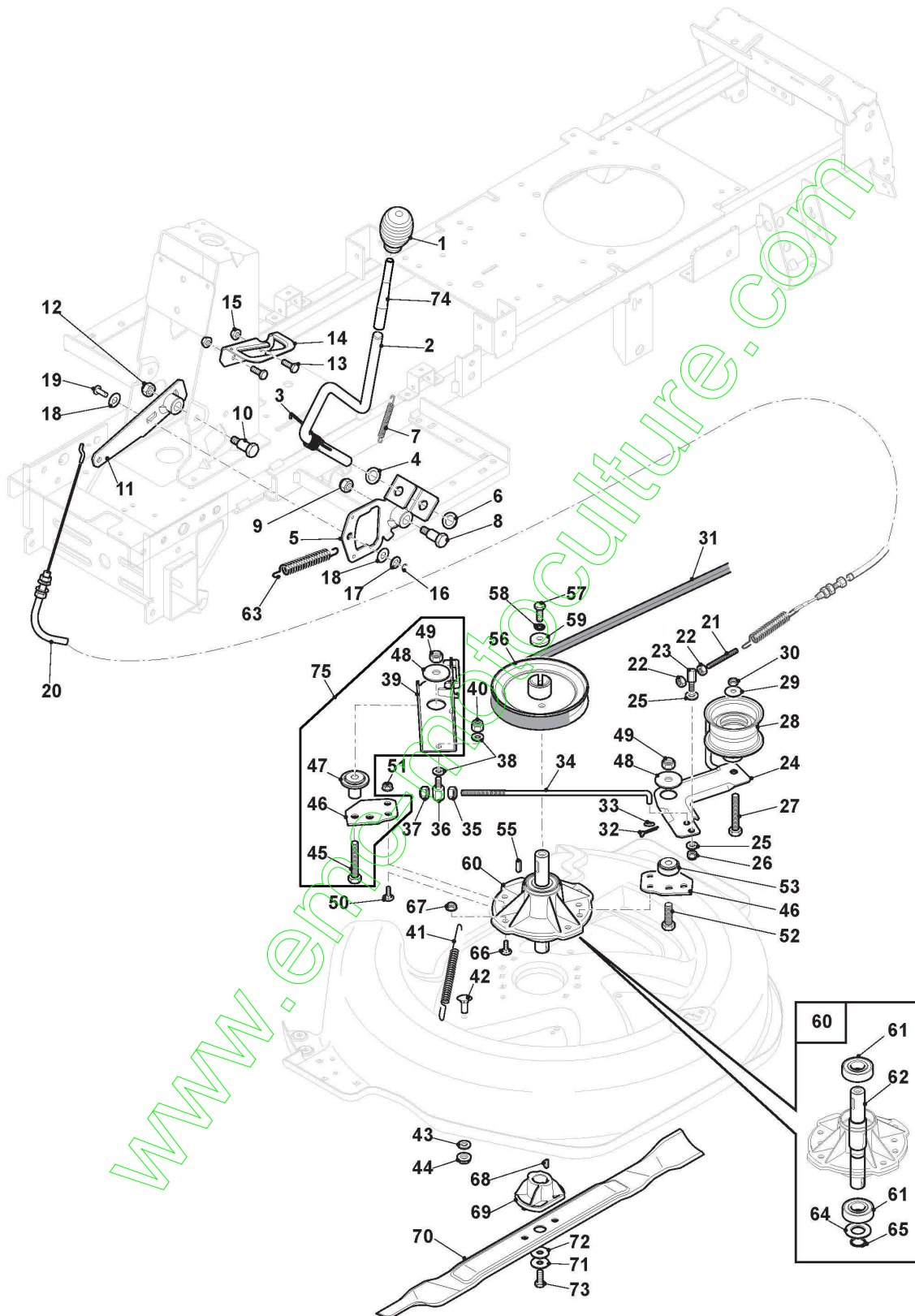
| Réf. N° | Q.té : | Code article | Description | Articles | De | Jusqu'à |
|---------|--------|--------------|-----------------------|----------|---------------------|-------------------|
| 55 | 2 | 112691100/0 | Vis | | | |
| 56 | 2 | 125601579/0 | Poulie | | | |
| 57 | 2 | 125040636/1 | Douille | | | |
| 58 | 2 | 327543037/0 | Patin | | | |
| 59 | 2 | 112523060/0 | Rondelle | | | |
| 60 | 2 | 112293201/0 | Ecrou | | | |
| 61 | 1 | 384001037/0 | Axe | | | |
| 62 | 1 | 127510125/0 | Pivot | | | |
| 63 | 1 | 322672152/0 | Rondelle Antifriction | | | |
| 64 | 2 | 112155000/0 | Ecrou | | | |
| 65 | 1 | 127840057/0 | Tirant | | | |
| 66 | 4 | 112295200/0 | Ecrou | | | |
| 67 | 2 | 112155000/0 | Ecrou | | | |
| 68 | 2 | 322672152/0 | Rondelle Antifriction | | | |
| 69 | 1 | 125110803/0 | Goupille | | | |
| 70 | 1 | 127510114/0 | Pivot | | | |
| 71 | 1 | 325670008/1 | Rondelle | | | |
| 72 | 1 | 112521360/0 | Rondelle | | | |
| 75 | 2 | 127510123/0 | Pivot | | | |
| 76 | 2 | 112521360/0 | Rondelle | | | |
| 77 | 2 | 112156602/0 | Ecrou | | | |
| 78 | 1 | 327772231/0 | Support | | | |
| 79 | 4 | 112604896/0 | Fixateur A Couronne | | | |
| 80 | 1 | 327486200/0 | Protection Sortie | | | |
| 81 | 1 | 122450456/0 | Ressort | | | To S/N 1901319 |
| 81 | 1 | 122450456/1 | Ressort | | From S/N 1221222 | |
| 82 | 1 | 127510129/0 | Pivot | | | |
| 83 | 1 | 127430599/0 | Ressort | | | |
| 84 | 1 | 127510128/0 | Pivot | | | |
| 85 | 1 | 327745000/0 | Safety Device | | | |
| 86 | 1 | 327107506/0 | Convoyeur | | | |

www.emc-motoculture.com



Embrayage des Lames

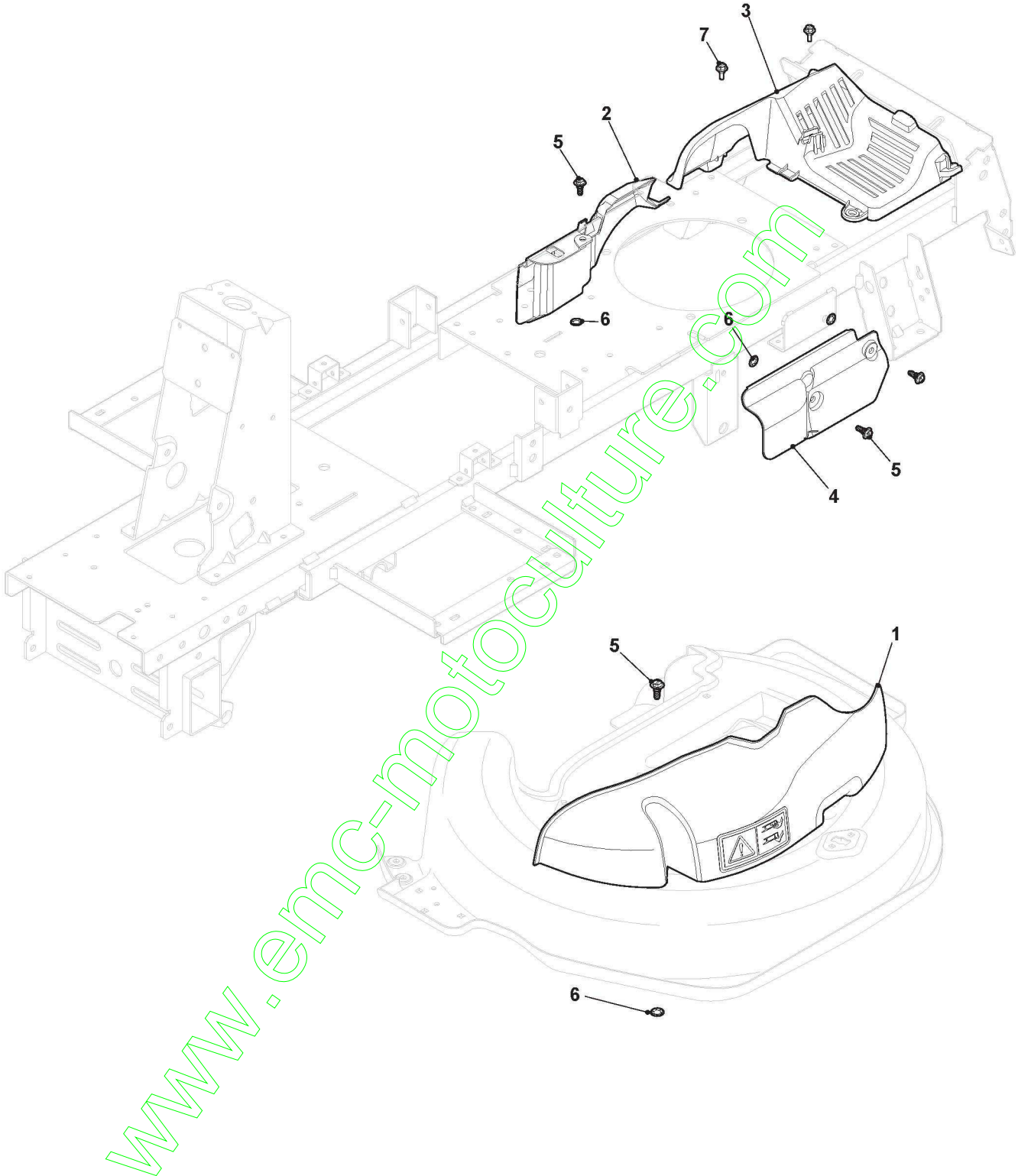
| Réf. N° | Q.té : | Code article | Description | Articles | De | Jusqu'à |
|---------|--------|--------------|-----------------------|----------|-------------------------------|--------------------|
| 1 | 1 | 125394510/0 | Poignée | | | |
| 2 | 1 | 327315149/0 | Levier | | | |
| 3 | 1 | 127430595/0 | Ressort | | | |
| 4 | 1 | 112521370/0 | Rondelle | | | |
| 5 | 1 | 384317099/0 | Levier | | | |
| 6 | 1 | 122020050/0 | Anneau | | | |
| 7 | 1 | 125430208/1 | Ressort | | | |
| 8 | 1 | 127510122/0 | Etrier | | | To |
| 8 | 1 | 127510122/1 | Etrier | | From 01-Septem ber-2014 | |
| 9 | 1 | 112154210/0 | Ecrou | | | |
| 10 | 1 | 127510122/0 | Etrier | | | To |
| 10 | 1 | 127510122/1 | Etrier | | From | 31-August- 2014 |
| 11 | 1 | 384773577/0 | Etrier | | | |
| 12 | 1 | 112154210/0 | Ecrou | | | |
| 13 | 2 | 112815200/0 | Vis | | | |
| 14 | 1 | 327734065/0 | Secteur | | | |
| 15 | 2 | 112292102/0 | Ecrou | | | |
| 16 | 1 | 112000930/0 | Anneau Benzing | | | |
| 17 | 1 | 112521350/0 | Rondelle | | | |
| 18 | 2 | 325670011/0 | Rondelle Antifriction | | | |
| 19 | 1 | 125510085/1 | Pivot | | | |
| 20 | 1 | 384004606/0 | Fil Embrayage Lame | | | |
| 21 | 1 | 127840058/0 | Tirant | | | To |
| 21 | 1 | 127840058/1 | Tirant | | From | 31-August- 2013 |
| 22 | 2 | 112293200/0 | Ecrou | | | |
| 23 | 1 | 127510126/0 | Pivot | | | |
| 24 | 1 | 384307001/0 | Levier | | | To |
| 24 | 1 | 384307001/1 | Levier | | From | 31-August- 2015 |
| 25 | 2 | 325670011/0 | Rondelle Antifriction | | | |
| 26 | 1 | 112155000/0 | Ecrou | | | |
| 27 | 1 | 112691600/0 | Vis | | | |
| 28 | 1 | 127604008/0 | Poulie | | | |
| 29 | 1 | 112523060/0 | Rondelle | | | |
| 30 | 1 | 112155000/0 | Ecrou | | | |
| 31 | 1 | 135061428/0 | Courroie | | | |
| 32 | 1 | 124487995/0 | Goupille | | | |
| 33 | 1 | 325670011/0 | Rondelle Antifriction | | | |
| 34 | 1 | 127034085/0 | Tige De Connexion | | | |
| 35 | 1 | 112293200/0 | Ecrou | | | |
| 36 | 1 | 127510126/0 | Pivot | | | |
| 37 | 1 | 112155000/0 | Ecrou | | | |
| 38 | 2 | 325670011/0 | Rondelle Antifriction | | | |
| 39 | 1 | 384220505/0 | Frein Lames | | | |
| 40 | 1 | 112155000/0 | Ecrou | | | |
| 41 | 1 | 127430592/0 | Ressort Frein | | | |
| 42 | 1 | 112818690/0 | Vis | | | To |
| 42 | 1 | 9897-0820-16 | Vis | | From 01-Septem ber-2017 | |
| 43 | 1 | 112521350/0 | Rondelle | | | |



Embrayage des Lames

| Réf. N° | Q.té : | Code article | Description | Articles | De | Jusqu'à |
|---------|--------|--------------|--------------------|----------|-----------|------------|
| 44 | 1 | 112293201/0 | Ecrou | | | |
| 45 | 1 | 112692395/1 | Vis | | | To |
| 45 | 1 | 112692395/2 | Vis | | From | |
| 46 | 2 | 327772191/0 | Etrier | | 01-Septem | |
| 47 | 1 | 127047021/0 | Douille | | ber-2017 | |
| 48 | 2 | 112523090/0 | Rondelle | | | |
| 49 | 2 | 112155020/0 | Ecrou | | | |
| 50 | 4 | 112818700/0 | Vis | | | |
| 51 | 4 | 112154210/0 | Ecrou | | | |
| 52 | 1 | 112794400/0 | Vis | | | |
| 53 | 1 | 127047017/0 | Douille | | | |
| 55 | 1 | 112139480/0 | Clavette | | | |
| 56 | 1 | 127604014/0 | Poulie | | | |
| 57 | 1 | 112793102/0 | Vis | | | |
| 58 | 1 | 112583500/0 | Grower | | | |
| 59 | 1 | 125670007/0 | Rondelle | | | |
| 60 | 1 | 384207251/0 | Support Arbre Lame | | | |
| 61 | 2 | 119216040/0 | Roulement | | | |
| 62 | 1 | 127023003/0 | Arbre | | | |
| 63 | 1 | 125430259/0 | Ressort | | | |
| 64 | 1 | 325160501/0 | Protege-Poussiere | | | To S/N |
| 64 | 1 | 325160501/1 | Protege-Poussiere | | From S/N | 19CA3RON |
| 65 | 1 | 112609260/0 | Seeger | | | 000143 |
| 66 | 4 | 112818700/0 | Vis | | | To |
| 66 | 4 | 9959-0825-16 | Vis | | From | |
| 67 | 4 | 112154210/0 | Ecrou | | 01-Septem | |
| 68 | 1 | 112139100/0 | Langnette | | ber-2017 | |
| 69 | 1 | 125463200/0 | Moyeu Lame | | | |
| 70 | 1 | 184109505/0 | Lame Ailetée | | | |
| 71 | 1 | 112508125/0 | Disque Elastique | | | |
| 72 | 1 | 112523080/0 | Rondelle | | | |
| 73 | 1 | 112735694/0 | Vis | | | |
| 74 | 1 | 327315151/0 | Levier | | | To |
| 74 | 1 | 327315151/1 | Levier | | From | 31-August- |
| 75 | 1 | 384220506/1 | Ens. Frein Lames | | | 2014 |

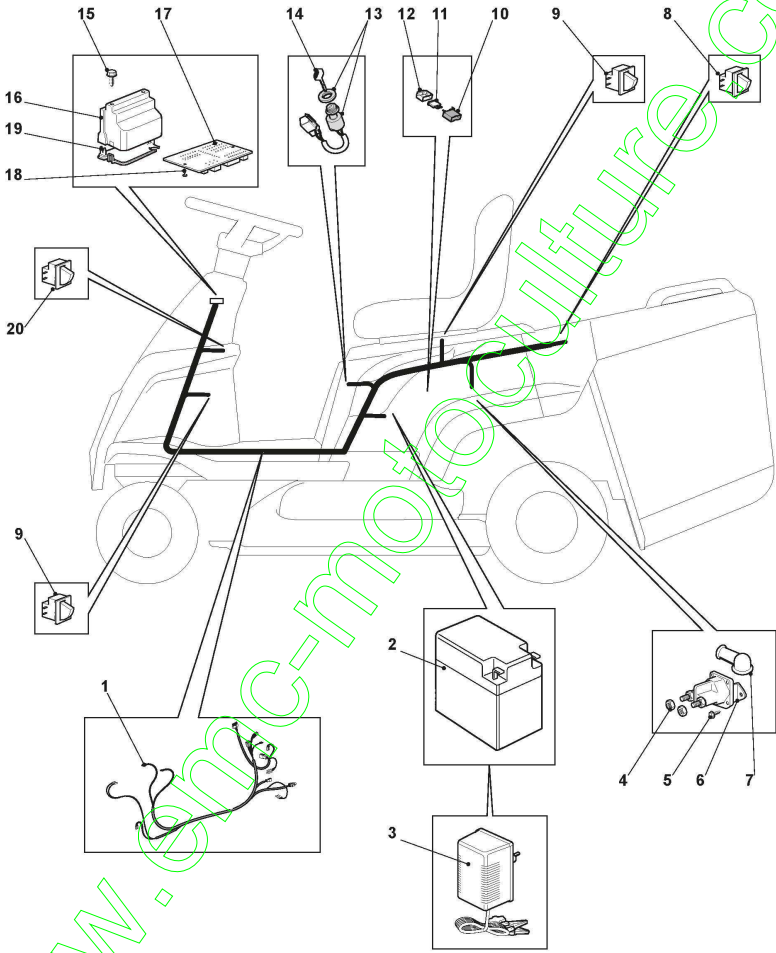
www.emc-motoculture.com



Protections

| Réf. N° | Q.té : | Code article | Description | Articles | De | Jusqu'à |
|---------|--------|--------------|-----------------------------------|----------|------|-------------------|
| 1 | 1 | 327060111/0 | Carter Protection | | | To |
| 1 | 1 | 327060111/1 | Carter | | From | 31-August-2013 |
| 2 | 1 | 327060109/0 | Carter Protection Courroie Droit | | | |
| 3 | 1 | 327060108/0 | Protection Transmission Lames | | | To |
| 3 | 1 | 327060108/1 | Carter | | From | 01-September-2013 |
| 4 | 1 | 327060110/0 | Carter Protection Courroie Gauche | | | |
| 5 | 5 | 125943011/0 | Vis | | | To |
| 5 | 5 | 125943014/0 | Vis | | From | 31-August-2016 |
| 6 | 4 | 112604899/0 | Fixateur A Couronne | | | |
| 7 | 2 | 125943010/0 | Vis | | | |

www.emc-motoculture.com

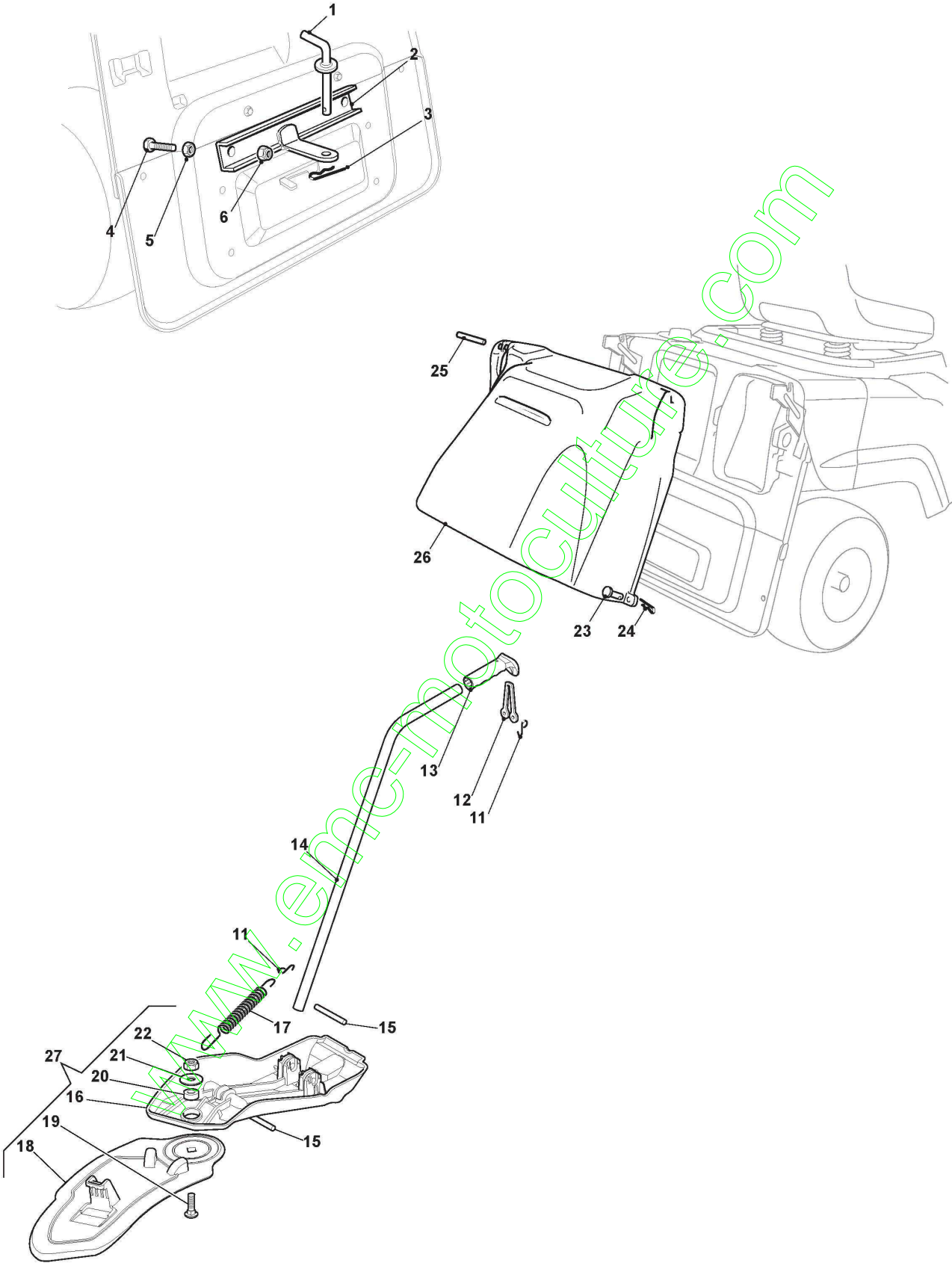


www.stc-motoculture.com

Parties Electriques

| Réf. N° | Q.té : | Code article | Description | Articles | De | Jusqu'à |
|---------|--------|---------------|--------------------------------|----------------|----|---------|
| 1 | 1 | 184040142/0 | Ens. Cablages - ISO | | | |
| 2 | 1 | 118120010/0 | Batterie avec Câbles Intégrés | | | |
| 3 | 1 | 182180051/0LC | KIT Chargeur Batterie | CE plug - 0,2A | | |
| 4 | 2 | 112360352/0 | Ecrou | | | |
| 5 | 2 | 112735110/0 | Vis | | | |
| 6 | 1 | 118736113/0 | Relais D'Allumage | | | |
| 7 | 2 | 118564861/2 | Capuchon | | | |
| 8 | 1 | 119410622/1 | Microinterrupteur | | | |
| 9 | 2 | 119410622/1 | Microinterrupteur | | | |
| 10 | 1 | 133500007/0 | Tableau De Fusible | | | |
| 11 | 1 | 133340040/0 | Fusible 10 A | | | |
| 12 | 1 | 133215000/0 | Couvercle | | | |
| 13 | 1 | 118450075/1 | Interrupteur Demarrage | | | |
| 14 | 1 | 118210023/0 | Clef A Demarrage | | | |
| 15 | 2 | 112728711/0 | Vis | | | |
| 16 | 1 | 127600119/0 | Electronis Card Upper Protecti | | | |
| 17 | 1 | 127722359/1 | Carte Electronique | | | |
| 18 | 2 | 112729601/1 | Vis | | | |
| 19 | 1 | 127600118/0 | Electronic Card Lower Protecti | | | |
| 20 | 1 | 119410614/0 | Microinterrupteur | | | |

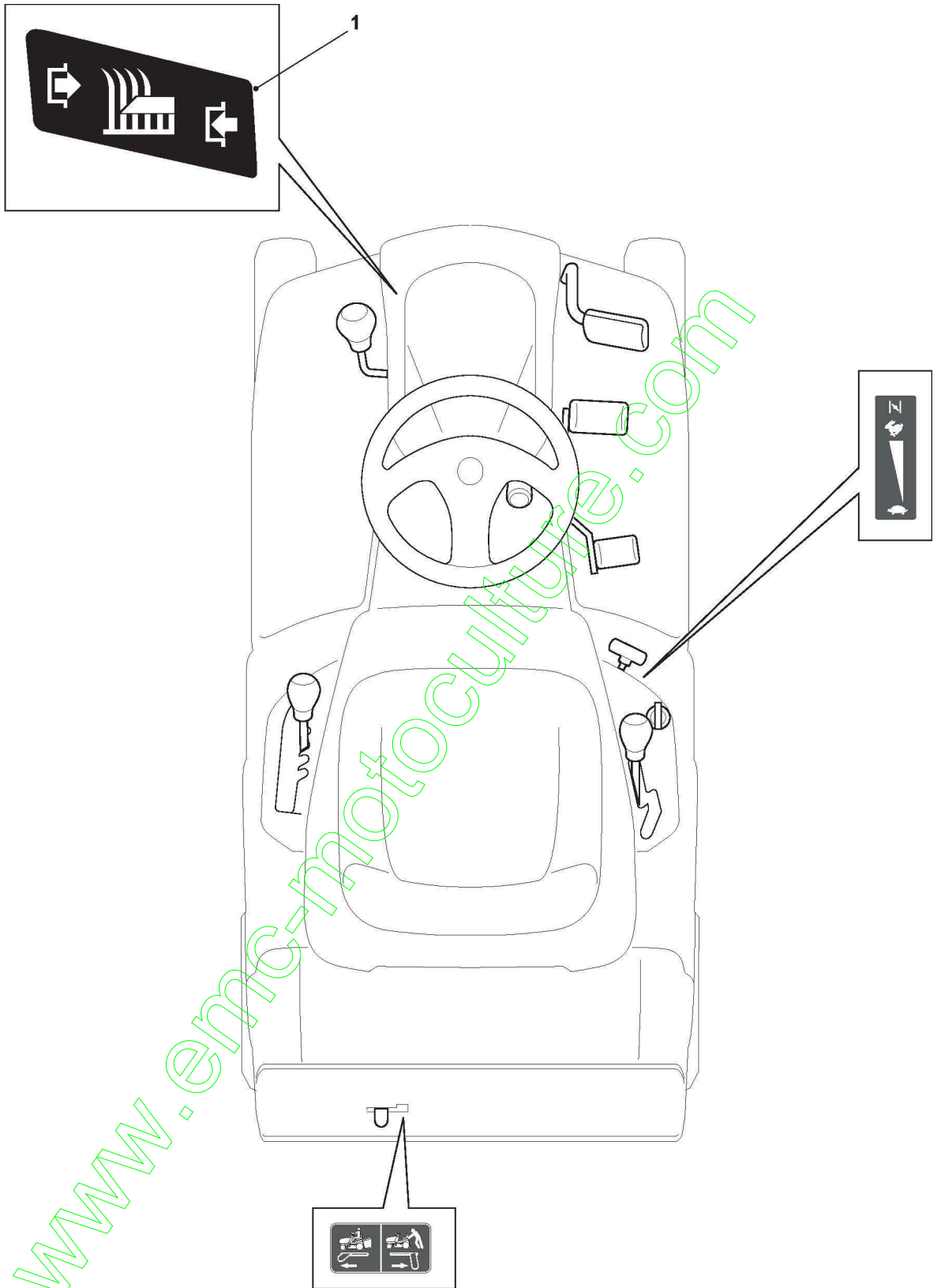
www.emc-motoculture.com



Accessoires Sur Demande

| Réf. N° | Q.té : | Code article | Description | Articles | De | Jusqu'à |
|---------|--------|--------------|-----------------------------|----------|----|---------|
| 1 | 1 | 125510021/1 | Pivot | | | |
| 2 | 1 | 382033109/0 | Tige | | | |
| 3 | 1 | 124487999/0 | Goupille | | | |
| 4 | 2 | 112794300/0 | Vis | | | |
| 5 | 2 | 112295200/0 | Ecrou | | | |
| 6 | 2 | 112156602/0 | Ecrou | | | |
| 11 | 3 | 125253004/0 | Crochet Fixage Kit Mulching | | | |
| 12 | 1 | 125840011/1 | Tirant | | | |
| 13 | 1 | 325280000/1 | Branche | | | |
| 14 | 1 | 327394003/2 | Guidon | | | |
| 15 | 2 | 127510116/0 | Pivot | | | |
| 16 | 1 | 327140058/0 | Deflecteur, Arriere | | | |
| 17 | 1 | 125430218/1 | Ressort | | | |
| 18 | 1 | 327140057/0 | Deflecteur, Avant | | | |
| 19 | 1 | 112818700/0 | Vis | | | |
| 20 | 1 | 127047013/1 | Douille | | | |
| 21 | 1 | 322672152/0 | Rondelle Antifricion | | | |
| 22 | 1 | 112155000/0 | Ecrou | | | |
| 23 | 2 | 125510022/1 | Pivot | | | |
| 24 | 2 | 124487998/0 | Goupille | | | |
| 25 | 2 | 127510127/0 | Pivot | | | |
| 26 | 1 | 327600181/0 | Pare-Pierres, Noir | | | |
| 27 | 1 | 384150052/0 | Ens. Deflecteur | | | |

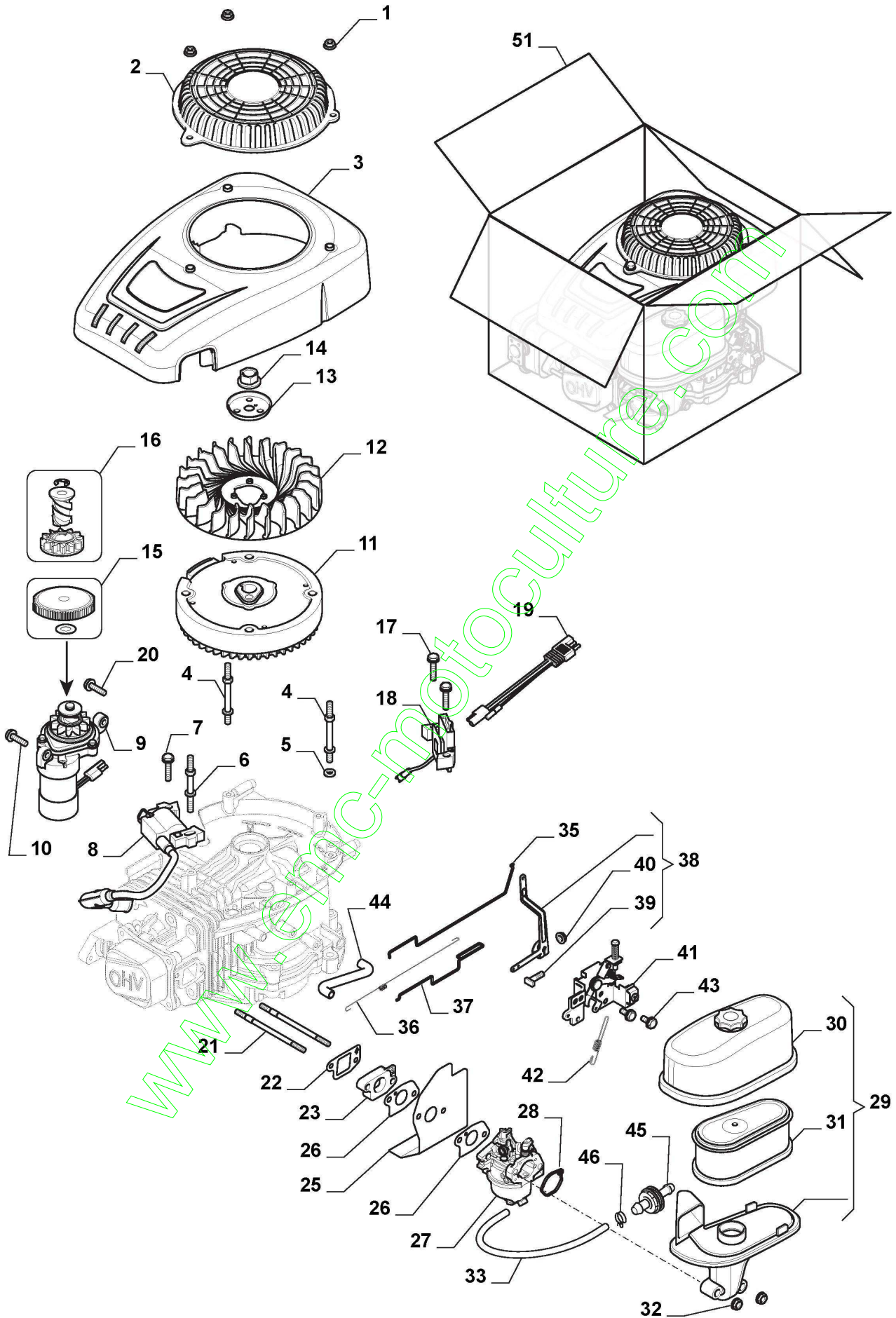
www.emc-motoculture.com



Etiquettes

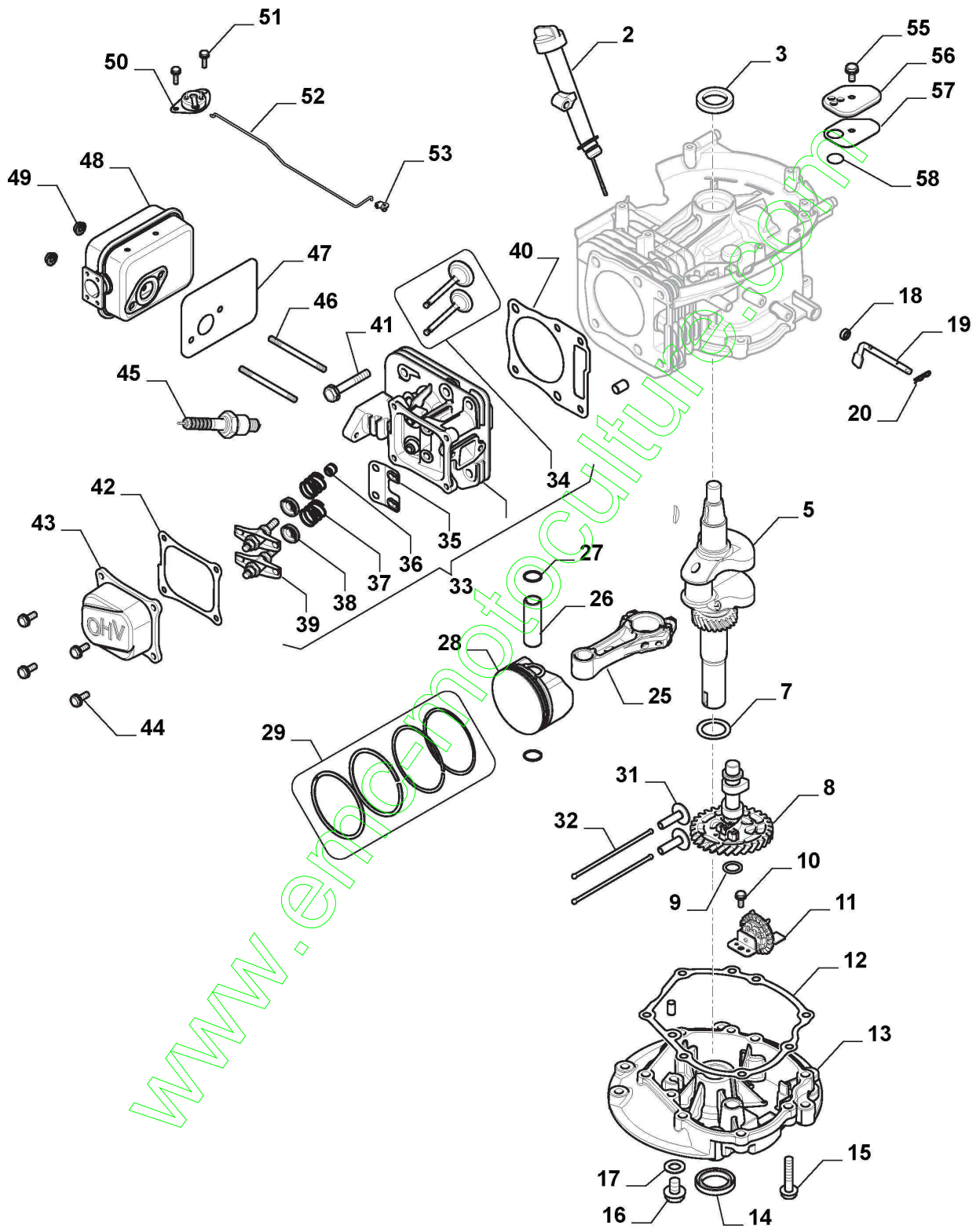
| Réf. N° | Q.té : | Code article | Description | Articles | De | Jusqu'à |
|---------|--------|--------------|-------------|----------|----|---------|
| 1 | 1 | 114366875/0 | Etiquette | | | |

www.emc-motoculture.com



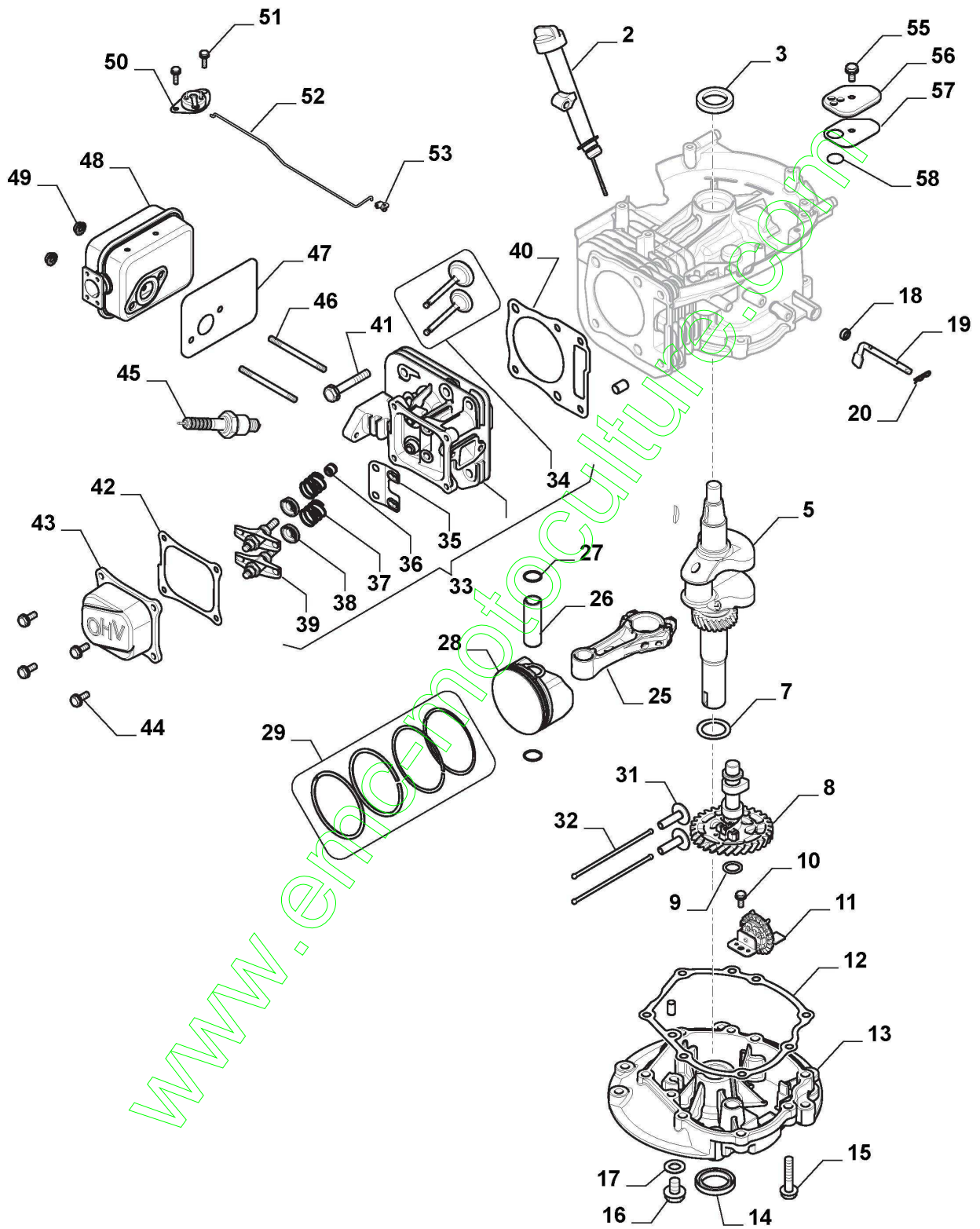
Moteur - Carburateur, Ens. Filtre A Air

| Réf. N° | Q.té : | Code article | Description | Articles | De | Jusqu'à |
|---------|--------|--------------|--------------------------|----------|----|---------|
| 1 | 5 | 118550806/0 | Ecrou | | | |
| 2 | 1 | 118551136/1 | Démarrreur | | | |
| 3 | 1 | 118551120/0 | Capot | | | |
| 4 | 2 | 118551149/0 | Pivot | | | |
| 5 | 1 | 118551147/0 | Douille | | | |
| 6 | 1 | 118551148/0 | Pivot | | | |
| 7 | 1 | 9959-0620-16 | Vis | | | |
| 8 | 1 | 118551435/0 | Bobine Électronique | | | |
| 9 | 1 | 118551434/0 | Ens. Moteur De Demarreur | | | |
| 10 | 1 | 112674550/0 | Vis | | | |
| 11 | 1 | 118551137/0 | Ens. Volant | | | |
| 12 | 1 | 118550254/0 | Ventilateur | | | |
| 13 | 1 | 118551436/0 | Coupe Démarrreur | | | |
| 14 | 1 | 118550336/0 | Ecrou | | | |
| 15 | 1 | 118551155/0 | Kit Réparation | | | |
| 16 | 1 | 118551154/0 | Kit Réparation | | | |
| 17 | 2 | 112674550/0 | Vis | | | |
| 18 | 1 | 118551138/0 | Ens. Bobine, Chargeur | | | |
| 19 | 1 | 118551140/0 | Ens. Câble Démarrage | | | |
| 20 | 1 | 112674700/0 | Vis | | | |
| 21 | 2 | 118551142/0 | Prisonnier | | | |
| 22 | 1 | 118551123/0 | Garniture | | | |
| 23 | 1 | 118551125/0 | Insulator | | | |
| 25 | 1 | 118551126/0 | Insulator | | | |
| 26 | 2 | 118551122/0 | Garniture | | | |
| 27 | 1 | 118551496/0 | Carburateur | | | |
| 28 | 1 | 118551124/0 | Garniture | | | |
| 29 | 1 | 118551133/0 | Ens. Filtre A Air | | | |
| 30 | 1 | 118551156/0 | Couvercle Filtre Air | | | |
| 31 | 1 | 118551157/0 | Element Filtrant | | | |
| 32 | 2 | 118550806/0 | Ecrou | | | |
| 33 | 1 | 118551430/0 | Conduite Combustible | | | |
| 35 | 1 | 118551127/0 | Lien De Gouverneur | | | |
| 36 | 1 | 118551437/0 | Ressort | | | |
| 37 | 1 | 118551158/0 | Levier de Commande d'air | | | |
| 38 | 1 | 118550266/0 | Ens. Gouverneur Levier | | | |
| 39 | 1 | 118550805/0 | Vis | | | |
| 40 | 1 | 118550806/0 | Ecrou | | | |
| 41 | 1 | 118551131/0 | Comand Du Accelérateur | | | |
| 42 | 1 | 118551128/0 | Ressort | | | |
| 43 | 2 | 9959-0612-16 | Vis | | | |
| 44 | 1 | 118551146/0 | Tuyau Soupirlail | | | |
| 45 | 1 | 118550427/0 | Filtre Carburant | | | |
| 46 | 2 | 118551429/0 | Collier Tuyau | | | |
| 51 | 1 | 118551159/2 | Moteur Complete | | | |



Moteur - Piston, Arbre Moteur

| Réf. N° | Q.té : | Code article | Description | Articles | De | Jusqu'à |
|---------|--------|--------------|--|----------|----|---------|
| 2 | 1 | 118551431/0 | Ensemble Tuyau Niveau Huile | | | |
| 3 | 1 | 118550300/0 | Anneau De Tenue | | | |
| 5 | 1 | 118551115/0 | Arbre Moteur | | | |
| 7 | 1 | 118550283/0 | Rondelle | | | |
| 8 | 1 | 118551433/0 | Arbre À Cames | | | |
| 9 | 1 | 118551144/0 | Rondelle | | | |
| 10 | 1 | 112789000/0 | Vis | | | |
| 11 | 1 | 118551132/0 | Ens. Régulateur De Vitesse | | | |
| 12 | 1 | 118551107/0 | Garniture Carter | | | |
| 13 | 1 | 118551153/1 | Carter Moteur | | | |
| 14 | 1 | 118550379/0 | Anneau De Tenue | | | |
| 15 | 7 | 9959-0840-16 | Vis | | | |
| 16 | 1 | 118550780/1 | Boulon | | | |
| 17 | 1 | 118550793/0 | Rondelle | | | |
| 18 | 1 | 118550935/0 | Anneau De Tenue | | | |
| 19 | 1 | 118551130/0 | Tringle Commande De Puissance De Carburateur | | | |
| 20 | 1 | 118550934/0 | Goupille | | | |
| 25 | 1 | 118551432/0 | Ens. Bielle | | | |
| 26 | 1 | 118550786/0 | Pointeau Piston | | | |
| 27 | 2 | 118551145/0 | Circlip Pointeau | | | |
| 28 | 1 | 118551113/0 | Piston | | | |
| 29 | 1 | 118551114/0 | Ens. Bagues Élastiques | | | |
| 31 | 2 | 118550291/0 | Ens. Poussoir De Valve | | | |
| 32 | 2 | 118551118/0 | Tige | | | |
| 33 | 1 | 118551151/0 | Ens. Culasse Du Cylindre | | | |
| 34 | 1 | 118551150/0 | Ens. Soupape Aspiration + Évacuation | | | |
| 35 | 1 | 118551119/0 | Plaquette | | | |
| 36 | 1 | 118551117/0 | Seal | | | |
| 37 | 2 | 118550896/0 | Ressort | | | |
| 38 | 2 | 118550895/0 | Butée | | | |
| 39 | 2 | 118550273/0 | Ens. Culbuteur | | | |
| 40 | 1 | 118551110/0 | Garniture | | | |
| 41 | 6 | 118550297/0 | Vis | | | |
| 42 | 1 | 118551112/0 | Garniture | | | |
| 43 | 1 | 118551111/0 | Couvercle | | | |
| 44 | 4 | 9959-0616-16 | Vis | | | |
| 45 | 1 | 118550658/0 | Bougie | | | |
| 46 | 2 | 118551495/0 | Prisonnier | | | |
| 47 | 1 | 118551135/0 | Garniture Silencieux | | | |
| 48 | 1 | 118551497/0 | Silencieux | | | |
| 49 | 2 | 118550806/0 | Ecrou | | | |
| 50 | 1 | 118551350/0 | Commande Starter | | | |
| 51 | 2 | 112789000/0 | Vis | | | |
| 52 | 1 | 118551351/0 | Tige | | | |
| 53 | 1 | 118551352/0 | Butée | | | |
| 55 | 1 | 112790781/0 | Vis | | | |
| 56 | 1 | 118551108/0 | Couvercle | | | |



Moteur - Piston, Arbre Moteur

| Réf. N° | Q.té : | Code article | Description | Articles | De | Jusqu'à |
|---------|--------|--------------|-------------|----------|----|---------|
| 57 | 1 | 118551109/0 | Garniture | | | |
| 58 | 1 | 118550902/0 | Vanne | | | |

www.emc-motoculture.com