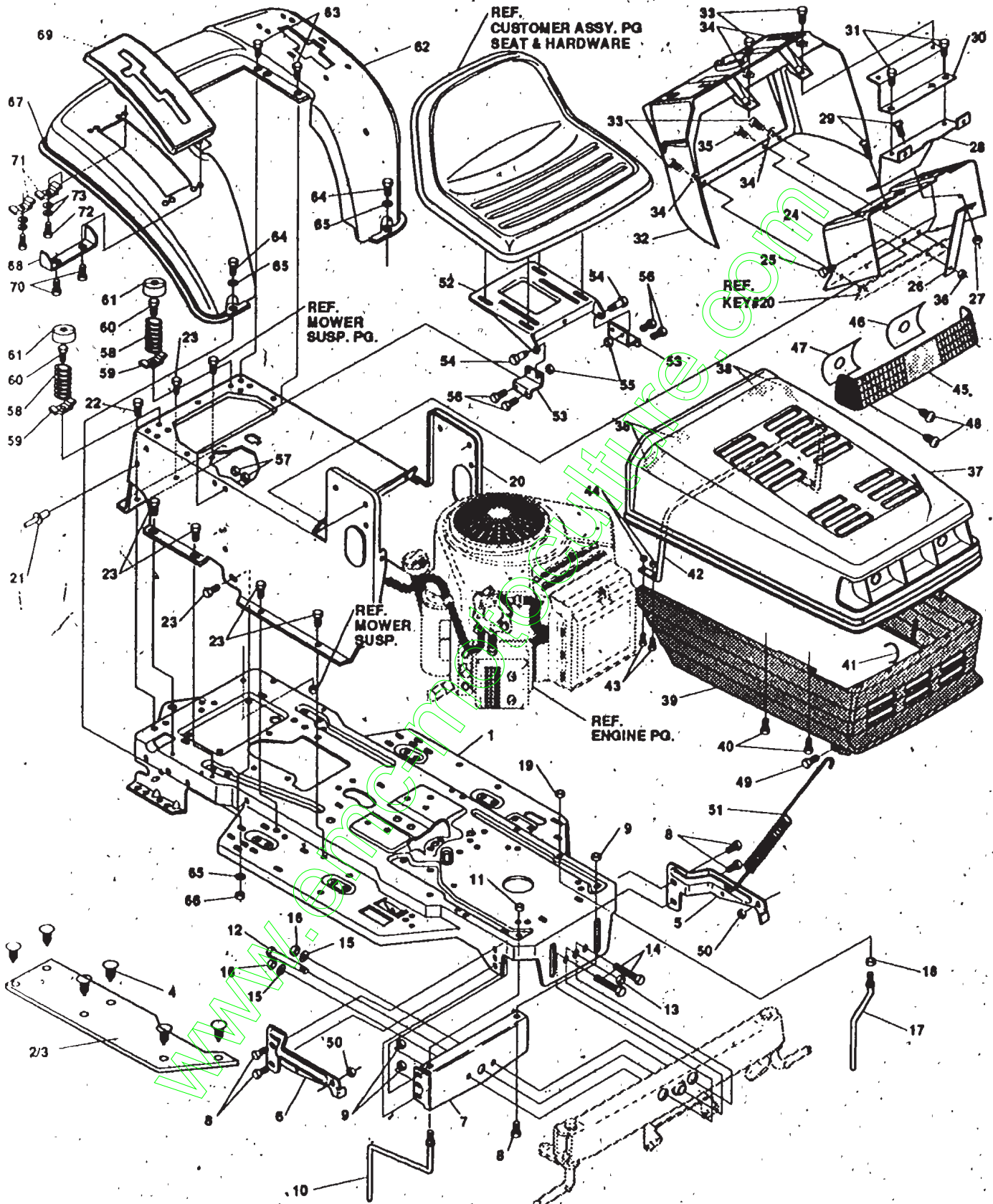


# 43" LAWN TRACTOR MODEL B3560-650

## CHASSIS & HOOD ASSEMBLY



NOTE: ALWAYS USE ORIGINAL EQUIPMENT PARTS. Use of service/replacement parts other than original equipment parts may void your warranty.

REF. STEERING PG. FRONT AXLE ASSY.

ALL UNNUMBERED ITEMS ARE INTERCHANGABLE WITH OPPOSITE SIDE

316548A

# 43" LAWN TRACTOR MODEL B3560-650

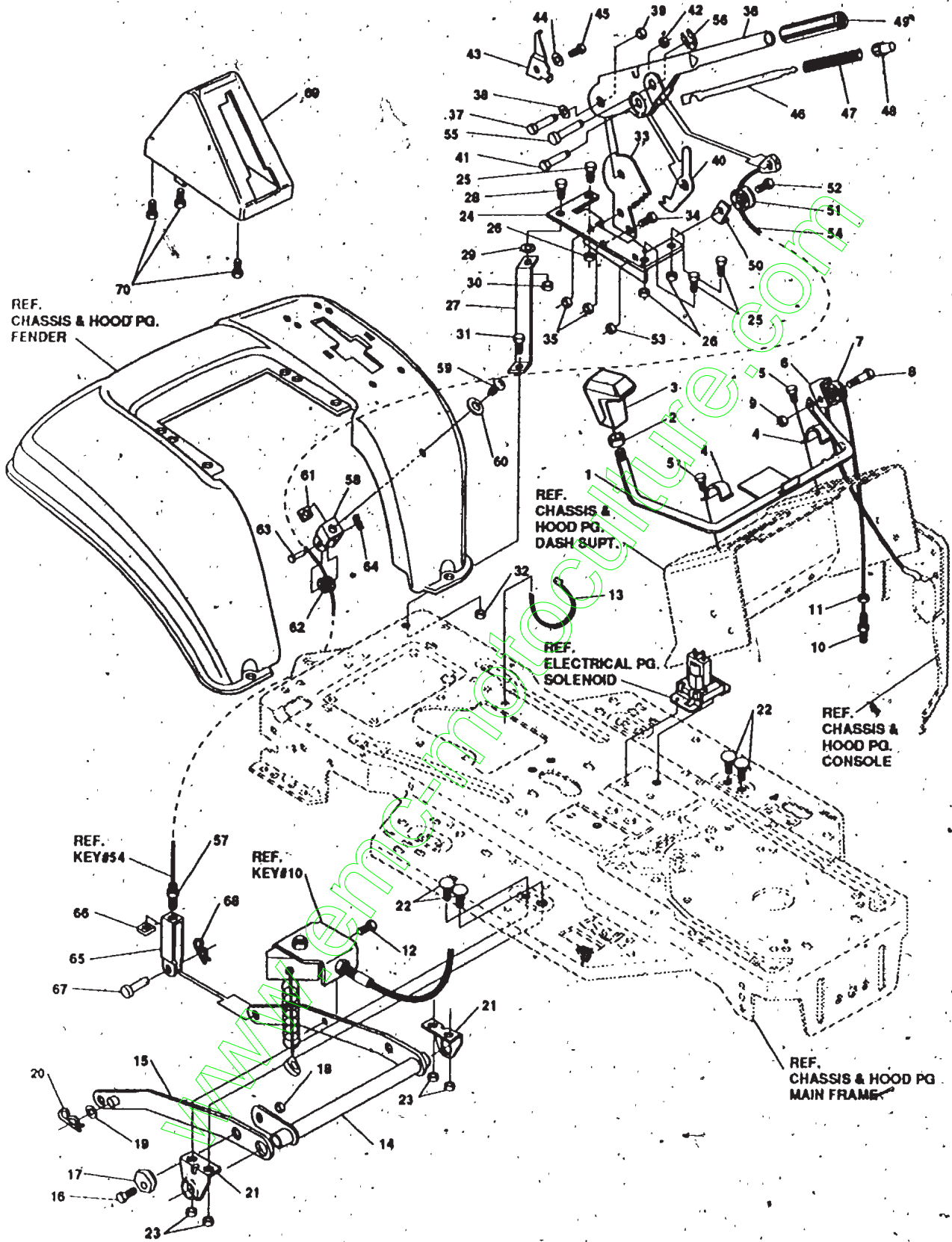


key#	part#	description	qty.
1	315967	FRAME	1
2	310005	FOOTPAD,LH	1
3	310006	FOOTPAD,RH	1
4	309235	FASTENER, RATCHET	12
5	9785	BRACKET,GRILLE LH	1
6	9784	BRACKET,GRILLE RH	1
7	56361	BRACKET, FRONT AXLE	1
8	056030	SCREW, 5/16-18X.75WDFLLK	5
9	055273	NUT, 5/16-18 HXWDFLLK	5
10	300440	GUIDE, BELT, RIDER	1
11	01498	NUT, 5/16-18 REGHEXCTRLK	1
12	308207	BOLT, .625X2.180 HSH 1/2-13	1
13	0309008	NUT, 1/2-13 REGHCTRLK	1
14	0122207	SCREW, 3/8-16X3.00 HHC	2
15	2483	WASHER, .391DX1.25DX.07 BELLVIL	2
16	01499	NUT, 3/8-16 REGHXCTRLK	2
17	300635	GUIDE, SHORT BELT RIDER 15"WH	1
18	0124824	NUT, 5/16-18 HEXJAM	1
19	0271190	NUT, 3/8-16 HEXKEPS	1
20	315918	CONSOLE, W/O TOP SHIFT	1
21	46763	RIVET, POP .187DIA X .450LG	1
22	035497	SCREW, 5/16-18X .50 WAHHTAP	1
23	0995346	SCREW, 1/4-20X .50 WAHHTAP	12
24	9132	SUPPORT, DASH	1
25	0300303	SCREW, .25X.75X.75HHWAPLASTITE	2
26	9197	BRACE, DASH SUPT LOWER	1
27	01502	NUT, 1/4-20 REGHEXCTRLK	1
28	9744	BRKT, GAS TANK	1
29	0995346	SCREW, 1/4-20X .50 WAHHTAP	2
30	9208	BRACE, DASH SUPT UPPER	1
31	0995346	SCREW, 1/4-20X .50 WAHHTAP	2
32	305429	DASH	1
33	0995346	SCREW, 1/4-20X .50 WAHHTAP	4
34	316868	WASHER, SHOULDER NYLON .255X.46	4
35	044811	SCREW, 1/4-20X .75 HXWATAP	1
36	01502	NUT, 1/4-20 REGHEXCTRLK	2
37	307033	HOOD	1
38	302502	PAD, ADHESIVE 1.00 X	4
39	303037	GRILLE, LWR	1
40	0300302	SCREW, #10 X .50 HHTAPPST	4
41	310203	CLIP, HOG RING C-SHAPED	1
42	301425	BRACE, HOOD SUPPORT	1
43	0301542	SCREW, 10-24X1.00HWATAPBLKPHOS	4
44	0271166	NUT, #10-24 HEXKEPS	1
45	302333	LENS, SMOKED W/TAB	1
46	301541	FOIL, REFLECTOR LENS, LH	1
47	301540	FOIL, REFLECTOR LENS, RH	1
48	057796	SCREW, #6 X .50 PLASTITE	4
49	56676	BOLT, .375X .580 HSH 5/16-18	2
50	01498	NUT, 5/16-18 REGHEXCTRLK	2
51	57478	SPRING, HOOD LATCH	2
52	304761	PLATE, SEAT	1
53	310444	BRACKET, SEAT SUPPORT	1
54	20507	BOLT, .437X .156 HSH 5/16-18	2
55	01498	NUT, 5/16-18 REGHEXCTRLK	2
56	0120228	SCREW, 5/16-18X .63 HHC	4
57	01498	NUT, 5/16-18 REGHEXCTRLK	4
58	57153	SPRING, SEAT 2.63LG.1.49OD	2
59	1341	CLAMP, SPRING 1.17"ID ZPL	2
60	044811	SCREW, 1/4-20X .75 HXWATAP	2
61	56907	COVER, SEAT SPRING 1.51DX1.0	2
62	312405	FENDER, FDR SHIFT	1
63	0995346	SCREW, 1/4-20X .50 WAHHTAP	4
64	0122017	SCREW, 5/16-18X1.00 HHC	2
65	0446363	WASHER, FLAT .375X .88X.082	4
66	01498	NUT, 5/16-18 REGHEXCTRLK	2
67	55021	TRIM, STRIP	77.5IN
68	313213	BRKT COVER, FNRD SHIFT	1
69	311209	COVER PLASTIC	1
70	0311331	SCREW, 1/4-15X.44/53 HILOHWA	2
71	1341	CLAMP, SPRING 1.17"ID	2
72	0311331	SCREW, 1/4-15X.44/53 HILOHWA	2
73	0120392	WASHER, FLAT .281X .63X.065	4
74	317990	OPERATOR'S MANUAL (NOT ILLUSTRATED)	1
75	317852	PARTS MANUAL (NOT ILLUSTRATED)	1

◇ Indicates STANDARD HARDWARE ITEMS.

# 43" LAWN TRACTOR MODEL B3560-650

## MOWER SUSPENSION ASSEMBLY



**NOTE: ALWAYS USE ORIGINAL EQUIPMENT PARTS.** Use of service/replacement parts other than original equipment parts may void your warranty.

**ALL UNNUMBERED ITEMS ARE INTERCHANGABLE WITH OPPOSITE SIDE**

315597A

# 43" LAWN TRACTOR MODEL B3560-650

key#	part#	description	qty.
1	9792	ASSY,WELD,CLUTCH HANDLE	1
2	0120238	NUT, 1/2-13 HEXJAM	1
3	304438	KNOB,SHIFT	1
4	9129	CLIP, RETAINING BRKT	2
5	0995338	SCREW, 1/4-20X .63 HHWATAP	2
6	1288	BRACKET,CABLE RETAINER	1
7	39298	PULLEY, .906X.305 NYLON	1
8	57322	BOLT, .375X.375 HSSH 1/4-20	1
9	01502	NUT, 1/4-20 REGHEXQTRLK	1
10	301491	ASSY,CL. CABLE GEN PWR	1
11	0120613	NUT, 1/4-28 HJAM	1
12	015498	SCREW, 5/16-18X.75 WAHHTAP	1
13	57444	TIE, CABLE BLACK NYLON 5.62L	1
14	9185	ASSY,REAR LIFT	1
15	9186	ASSY,LINK,RIGHT SIDE	1
16	0180079	SCREW, 5/16-18X1.00 HHC	1
17	058247	ADJUSTING NUT	1
18	01498	NUT, 5/16-18 REGHEXCTRLK	1
19	0120396	WASHER, FLAT .531X1.06X.095	2
20	8260	PIN, HAIR .091 DIA X1.66LG	2
21	9117	BRACKET,REAR HANGER SUSP.	2
22	126211	BOLT, 5/16-18X .63 CARR	4
23	01498	NUT, 5/16-18 REGHEXCTRLK	4
24	58333	BRACKET,HEIGHT ADJUST	1
25	0180077	SCREW, 5/16-18X.75 HHC	3
26	01498	NUT, 5/16-18 REGHEXCTRLK	3
27	304766	BRACE, FENDER	1
28	0180079	SCREW, 5/16-18X1.00 HHC	1
29	045602	WASHER, FLAT .333X.87X.119	1
30	01498	NUT, 5/16-18 REGHEXCTRLK	1
31	0180079	SCREW, 5/16-18X1.00 HHC	1
32	01498	NUT, 5/16-18 REGHEXCTRLK	1
33	301238	QUADRANT,HEIGHT ADJUST	1
34	0180077	SCREW, 5/16-18X.75 HHC	2
35	01498	NUT, 5/16-18 REGHEXCTRLK	2
36	9788	HANDLE,LIFT HEIGHT ADJUST.	1
37	300171	BOLT, .500X.270 HSSH 5/16-18	1
38	996418	WASHER, FLAT .506X.75X.024	1
39	044108	NUT, 5/16-18 HWDFLQTRLK	1
40	301239	PAWL, HEIGHT ADJUST	1
41	300171	BOLT, .500X.270 HSSH 5/16-18	1
42	044108	NUT, 5/16-18 HWDFLCTRLK	1
43	9435	POINTER,HEIGHT ADJUST	1
44	138479	WASHER, EXLK .195X.41X.03	1
45	035287	SCREW, #8-32X.38 HHWATAPGR2	1
46	303027	ROD,ACTUATOR-SHORT	1
47	58326	SPRING, HEIGHT ADJUST	1
48	58325	KNOB,HEIGHT ADJUST PUSH BUTTON	1
49	58329	GRIP .750 OD W/ HOLE BLK	1
50	9149	BRACKET,CABLE RETAINER	1
51	39298	PULLEY, .906X.305 NYLON	1
52	58336	BOLT, .375X.375 HSSH 1/4-20	1
53	01502	NUT, 1/4-20 REGHEXCTRLK	1
54	314177	CABLE, LIFT 23.30 F-5 20X8-8	1
55	300310	PIN,CLEVIS .310DIA+.475LG	1
56	300311	RING, RET E .31X.24	1
57	0120375	NUT, 1/4-20 REGHEX	1
58	9239	CLEVIS	1
59	0439455	SCREW, 5/16-18X 56PHPNMA BKPH	1
60	301551	WASHER, .344IDX1.50DX.09 CU BPH	1
61	0120373	NUT, 5/16-18 SQ	1
62	39298	PULLEY, .906X.305 NYLON	1
63	300317	PIN, CLEVIS .38 DIA X1.00 LG	1
64	8260	PIN, HAIR .091 DIA X1.66LG	1
65	9405	CLEVIS, LIFT CABLE	1
66	0120372	NUT, 1/4-20 REGSQ	1
67	39522	PIN, CLEVIS .312 X .812	1
68	121222	PIN, COTTER .090/086X.75LG	1
69	100335	LIFT COVER-39" F5	1
70	0300340	SCREW, #10 X .75 HHPLAST	3

◇ STANDARD HARDWARE ITEMS

# 43" LAWN TRACTOR MODEL B3560-650

## FRONT WHEEL STEERING ASSEMBLY

REF. CUSTOMER ASSY. PG. STEERING WHEEL & HARDWARE

Ref. CHASSIS & HOOD PG DASH

REF. TO CHASSIS & HOOD PG MAIN FRAME

REFER TO CHASSIS & HOOD PG, FRONT AXLE SUPPORT

REF. KEY#1

ALL UNNUMBERED ITEMS ARE INTERCHANGABLE WITH OPPOSITE SIDE

NOTE: ALWAYS USE ORIGINAL EQUIPMENT PARTS. Use of service/replacement parts other than original equipment parts may void your warranty.

317130A

# 43" LAWN TRACTOR MODEL B3560-650

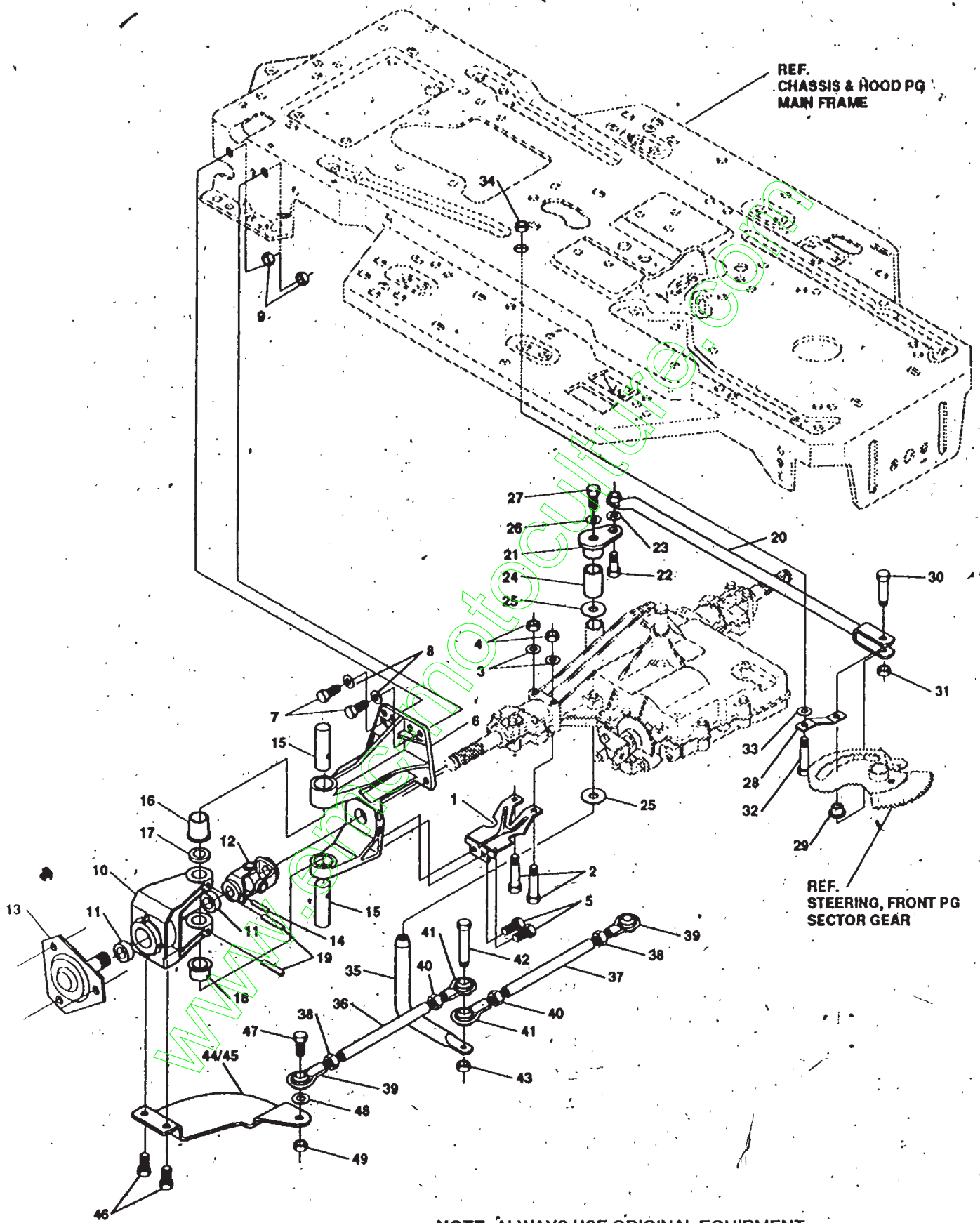
key#	part#	description	qty.
1	*	AXLE,FRONT ASSY LONGSUS4WSLF	1
2	300272	ASSY FRONT AXLE SUSPENDED	1
3	52407	SPINDLE BEARING	4
4	9180	ASSY,SPINDLE,RH	1
5	314088	ASSY,SPINDLE,LH	1
6	36625	RING, RETEX .57X.05TRU5133-75	2
7	53373	AXLE COVER	2
8	304590	TIE ROD ASSY 19.81LG W-SECTION	1
9	0180128	SCREW, 3/8-16X1.75 HHC	2
10	0120382	WASHER, REGSPTLK.393X.68X.10	2
11	0120377	NUT, 3/8-16 REGHEX	2
12	313634	ASSY SECTOR GEAR	1
13	313629	BUSHING,SECTOR GEAR	1
14	313672	SUPPORT,SECTOR GEAR	1
15	0315196	SCREW, 1/2-20X3.00 HHC	1
16	0274654	NUT, 1/2-20 REGHXCTRLK	1
17	302498	BEARING FLANGE 0.5 BORE	1
18	56030	SCREW, 5/16-18X.75WDFLLK GR5	2
19	55273	NUT, 5/16-18 HXWDFLLK	2
20	302863	DRAG LINK .625 DIA	1
21	124925	NUT, 3/8-24 REGHEXJAM	1
22	57158	BALL JOINT 3/8 THD SHORT STUD	1
23	0272123	NUT, 7/16-20 HXJAM	1
24	302865	BALL JOINT 7/16-20	1
25	46692	NUT, 3/8-24 WDFLHLK WHIZ	1
26	120396	WASHER, FLAT .531X1.06X.095	1
27	0120383	WASHER, REGSPTLK.459X.78X.12	1
28	0271506	NUT, 7/16-20 REGHX	1
29	313699	SHAFT, STEERING 4WS LF	1
30	302314	PINION,STEERING	1
31	302524	PIN DOWEL STR ERO LT	1
32	315194	WASHER,FLAT 1.38X.51X.043 Z/Y	1
33	2968	WASHER, FLAT .504X.75X.059	1
34	20864	RING, RET E .39X.04TRU5133-50	1

\* ORDER INDIVIDUAL PARTS.

◊ Indicates STANDARD HARDWARE ITEMS.

# 43" LAWN TRACTOR MODEL B3560-650

## REAR WHEEL STEERING ASSEMBLY



ALL UNNUMBERED  
ITEMS ARE INTERCHANGABLE  
WITH OPPOSITE SIDE

NOTE: ALWAYS USE ORIGINAL EQUIPMENT  
PARTS. Use of service/replacement parts other  
than original equipment parts may void your  
warranty.

315291C

# 43" LAWN TRACTOR MODEL B3560-650

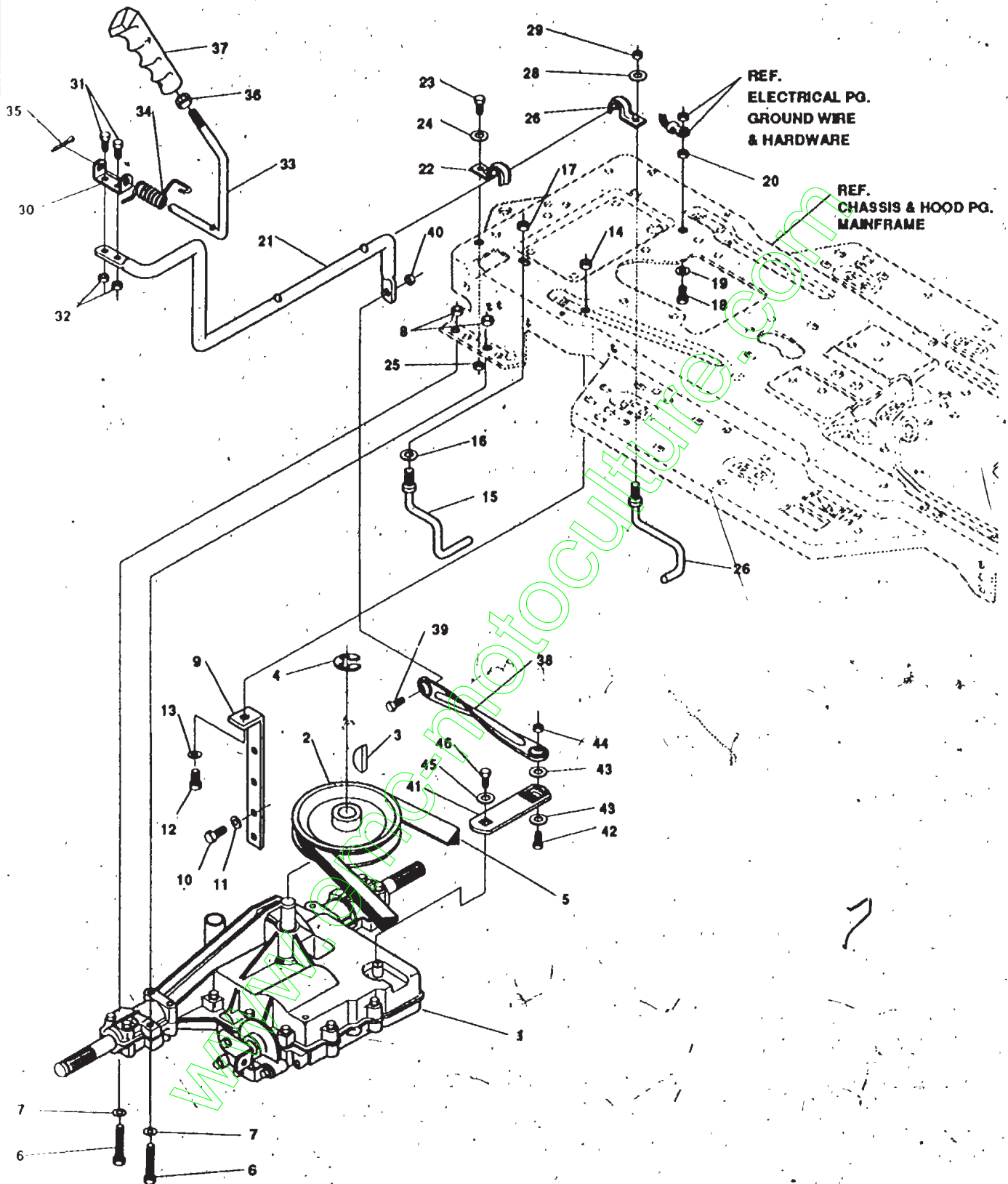
key#	part#	description	qty.
1	306001	BRKT X-AXLE MTG	2
2	180089	◇ SCREW, 5/16-18X2.25 HHC	4
3	120393	WASHER, FLAT .344X.69X.065	4
4	1498	◇ NUT, 5/16-18 REGHEXCTRLK	4
5	451814	◇ SCREW, 5/16-18X.63HWATAP	4
6	314267	BRCKT, STRG PIVOT W/DRILL HOLES	2
7	122017	◇ SCREW, 5/16-18X1.00 HHC	8
8	120393	WASHER, FLAT .344X.69X.065	8
9	1498	◇ NUT, 5/16-18 REGHEXCTRLK	8
10	12465	BRACKET, STR PIVOT	2
11	12325	BEARING	4
12	12290	U-JOINT ASSEMBLY	2
13	315480	HUB ASSEMBLY GREY 861	2
14	36311	PIN, GROOVED .250 DIA X 1.50 LG	2
15	12289	PIN, STEERING HINGE	4
16	12288	BUSHING, SHOULDERED (OILITE	2
17	21682	WASHER, FLAT .765X1.25X.042 PL	2
18	12321	BUSHING, SHOULDERED (OILITE	2
19	456722	PIN, SPRING .250 DIA X 1.50 LG HVPL	4
20	313628	ROD ASM., DRAGLINK	1
21	308719	PIVOT, STEERING	1
22	12319	BOLT, .562X.340 HSSH 3/8-24	1
23	120394	WASHER, FLAT .406X.81X.065	1
24	304115	SPACER, STEERING SHAFT	1
25	25177	WASHER, FLAT .765X1.19X.048	2
26	45602	WASHER, FLAT .333X.87X.119	1
27	421051	◇ SCREW, 5/16-24X1.00 HHC	1
28	302594	ARM ROLLER SWING 4 W	1
29	304116	CAM YOKE ROLLER	1
30	304122	SHOULDER BOLT CAM ROLLER	1
31	274654	◇ NUT, 1/2-20 REGHXCTRLK	1
32	302588	SHOUL BOLT CAM FOLLOWER	1
33	120394	WASHER, FLAT .406X.81X.065	1
34	412349	◇ NUT, 3/8-24 HXCTRLK	1
35	308720	SHAFT, STEERING PIVOT	1
36	308447	ROD, TIE 1/2" D X 8.00 LG	1
37	308446	ROD, TIE 1/2" D X 9.5 LG	1
38	308399	◇ NUT, 3/8-24 LH THD REGHJAM	2
39	308384	ROD, TIE END LH 3/8-24 EURO	2
40	124925	◇ NUT, 3/8-24 REGHEXJAM	2
41	304260	ROD, TIE END RH	2
42	181646	◇ SCREW, 3/8-24X1.75 HHC	1
43	412349	◇ NUT, 3/8-24 HXCTRLK	1
44	306217	ARM RW STR ERO RH	1
45	306218	ARM RW STR ERO LH	1
46	39728	◇ SCREW, 3/8-16X.75WAHHTAP BK	4
47	181639	◇ SCREW, 3/8-24X1.25 HHC	2
48	120382	WASHER, REGSPTLK.393X.68X.10	2
49	412349	◇ NUT, 3/8-24 HXCTRLK	2

◇ Indicates STANDARD HARDWARE ITEMS



# 43" LAWN TRACTOR MODEL B3560-650

## MOTION DRIVE ASSEMBLY



**NOTE: ALWAYS USE ORIGINAL EQUIPMENT PARTS.**  
Use of service/replacement parts other than original equipment parts may void your warranty.

**ALL UNNUMBERED  
ITEMS ARE INTERCHANGABLE  
WITH OPPOSITE SIDE**

315591B

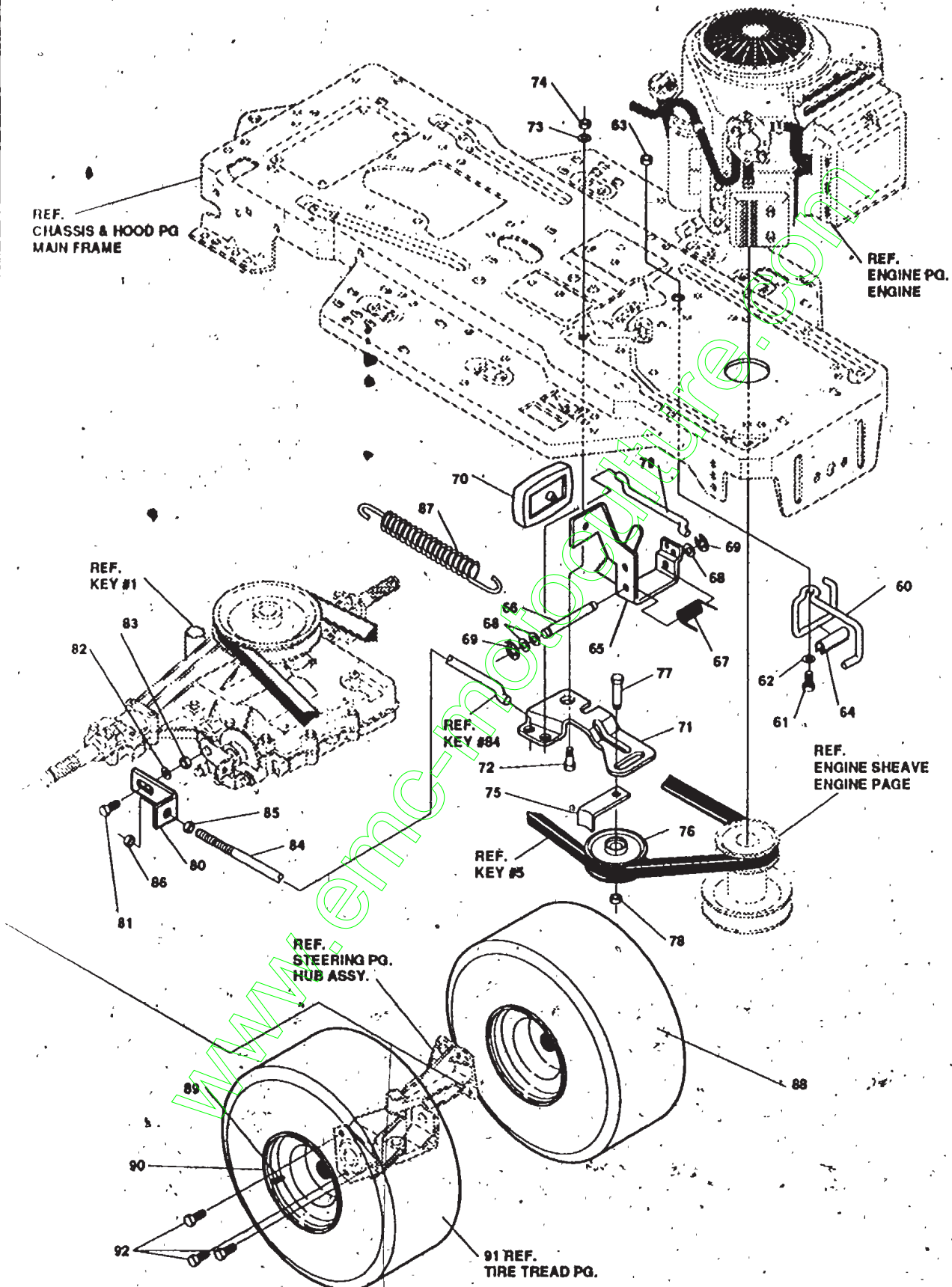
# 43" LAWN TRACTOR MODEL B3560-650

key#	part#	description	qty.
1	TRANSAXLE	F4360-6 6SP (SEE ENGINE MANUAL)	1
2	303109	PULLEY, V4L	1
3	3021	KEY, WDRF 606 .750X.187X.312	1
4	22053	RING, RETEX .58X.04TRU5100-62	1
5	314120	BELT, V 4L 87.25	1
6	◊180112	SCREW, 5/16-18X2.75 HHC	4
7	120393	WASHER, FLAT .344X .69X.065	4
8	◊1498	NUT, 5/16-18 REGHEXCTRLK	4
9	12632	STABILIZER BRKT	1
10	◊35498	SCREW, 5/16-18X .75 WAHTAP	2
11	120638	WASHER, HVSPTLK .328X.60X.09	2
12	◊122017	SCREW, 5/16-18X1.00 HHC	1
13	120393	WASHER, FLAT .344X .69X.065	1
14	◊1498	NUT, 5/16-18 REGHEXCTRLK	1
15	314935	GUIDE, BELT 5/16-18THD	1
16	120638	WASHER, HVSPTLK .328X.60X.09	1
17	◊1498	NUT, 5/16-18 REGHEXCTRLK	1
18	◊120228	SCREW, 5/16-18X .63 HHC	1
19	138538	WASHER, REGINTLK.320X.61X 03	1
20	◊1498	NUT, 5/16-18 REGHEXCTRLK	1
21	310029	LEVER,SHIFT,LWR	1
22	310348	CLIP-SHIFT LEVER .62 ROD	1
23	◊180077	SCREW, 5/16-18X .75 HHC	1
24	996416	WASHER, FLAT .391X1.00X.125	1
25	◊1498	NUT, 5/16-18 REGHEXCTRLK	1
26	310348	CLIP-SHIFT LEVER .62 ROD	1
27	57259	GUIDE, BELT 5/16-18THD	1
28	996416	WASHER, FLAT .391X1.00X.125	1
29	◊1498	NUT, 5/16-18 REGHEXCTRLK	1
30	310356	PIVOT BRKT LEVER	1
31	◊180018	SCREW, 1/4-20X .62 HHC	2
32	◊1502	NUT, 1/4-20 REGHEXCTRLK	2
33	309635	LEVER, SHIFT UPPER SF 1/2-13TH	1
34	310265	SPRING, TORS. .56X.95X.095	1
35	137185	PIN, COTTER .125 DIA X1.00LG	1
36	◊120238	NUT, 1/2-13 HEXJAM	1
37	306690	HANDLE 1/2-13-	1
38	314971	LINK TIE ROD SHIFTER	1
39	◊180124	SCREW, 3/8-16X1.25 HHC	1
40	◊1499	NUT, 3/8-16 REGHXCTRLK	1
41	309637	BRACKET,SHIFT	1
42	◊180124	SCREW, 3/8-16X1.25 HHC	1
43	120394	WASHER, FLAT .406X .81X.065	2
44	◊1499	NUT, 3/8-16 REGHXCTRLK	1
45	57157	WASHER, .750X.250 SP-TRANSAXLE	1
46	◊56255	SCREW, 1/4-28X .75 NYLHHC	1

◊ Indicates STANDARD HARDWARE ITEMS.

# 43" LAWN TRACTOR MODEL B3560-650

## MOTION DRIVE ASSEMBLY



**NOTE: ALWAYS USE ORIGINAL EQUIPMENT PARTS.**  
Use of service/replacement parts other than original equipment parts may void your warranty.

**ALL UNNUMBERED  
ITEMS ARE INTERCHANGABLE  
WITH OPPOSITE SIDE**

315591B

# 43" LAWN TRACTOR MODEL B3560-650

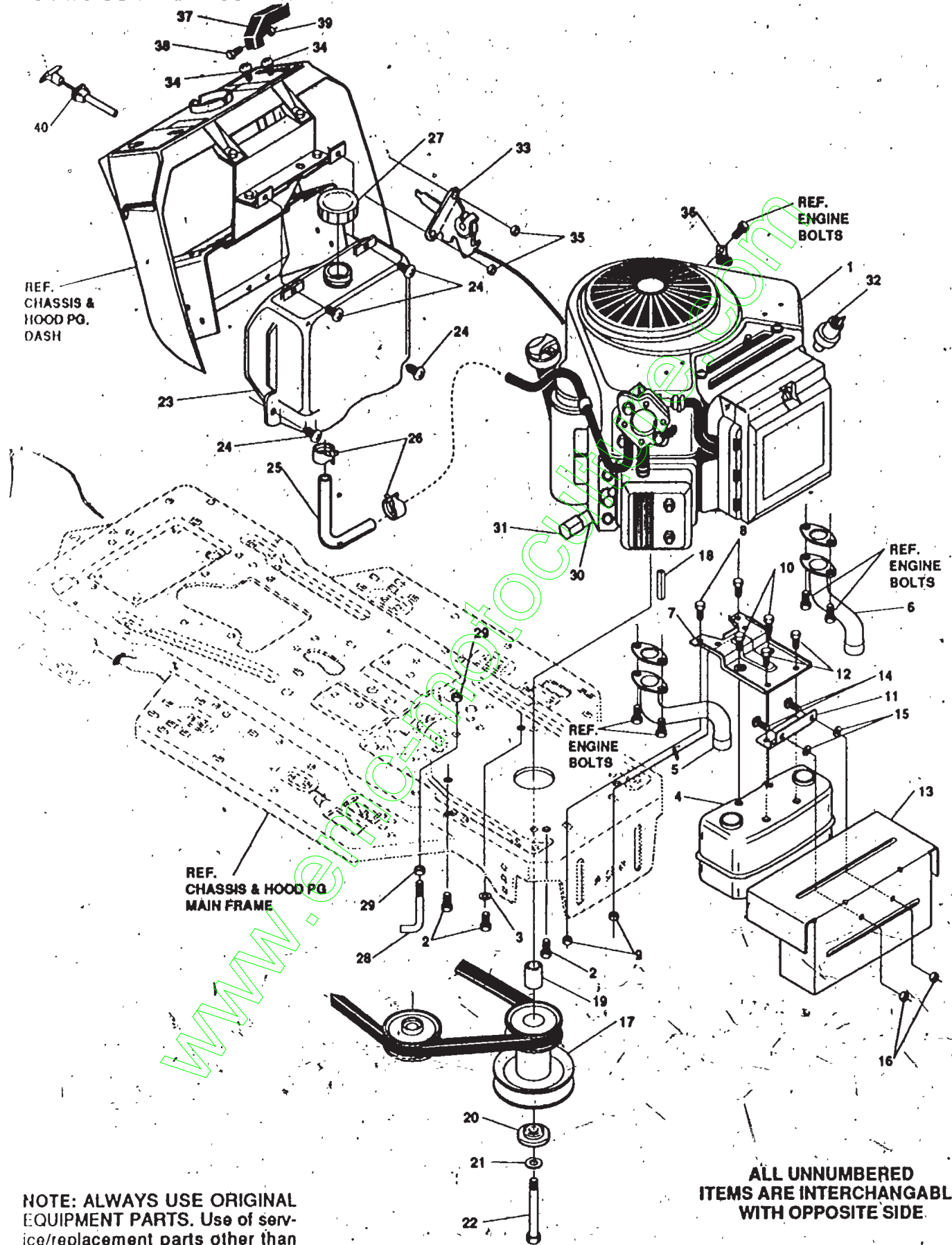
key#	part#	description	qty.
60	315359	GUIDE-BELT/DRAGLINK	1
61	0180079	SCREW, 5/16-18X1.00 HHC	1
62	45602	WASHER, FLAT .333X.87X.119	1
63	01498	NUT, 5/16-18 REGHEXCTRLK	1
64	303278	PLASTIC EXTRUSION-BELT GUIDE	1
65	300308	PEDAL ASSY, BRAKE/CLUTCH	1
66	57196	ROD, PIVOT .50 OD, 4.44LG	1
67	57847	SPRING, BRAKE PEDAL	1
68	2968	WASHER, FLAT .504X.75X.059	3
69	20864	RING, RET E .39X.04TRU5133-50	2
70	48180	PAD, CLUTCH BRAKE	1
71	300154	ARM, IDLER TRACTION DR.	1
72	300793	BOLT, .625X.135 HSSH 5/16-18	1
73	45602	WASHER, FLAT .333X.87X.119	1
74	01498	NUT, 5/16-18 REGHEXCTRLK	1
75	39659	RETAINER, STRAP BELT	1
76	35374	PULLEY, IDLER V4L 3.06X .62	1
77	45892	BOLT, 3/8-16X1.50 CARR	1
78	01499	NUT, 3/8-16 REGHXCTRLK	1
79	57204	ROD, CLUTCH	1
80	57217	BRACKET, BRAKE ROD	1
81	20507	BOLT, .437X.156 HSSH 5/16-18	1
82	45602	WASHER, FLAT .333X.87X.119	1
83	01498	NUT, 5/16-18 REGHEXCTRLK	1
84	313659	ROD, BRAKE P920 4WS LF 23.50	1
85	0271184	NUT, 5/16-18 HEXKEPS	1
86	01498	NUT, 5/16-18 REGHEXCTRLK	1
87	313660	SPRING, CLUTCH .113X.750X8.75	1
88		TIRE & RIM, PU 20-10X8 WHIT134	2
89	24167	VALVE STEM	1
90	316667	RIM, WHEEL 20X8	1
91		REFER TO TIRE TREAD PAGE	
92	0123418	SCREW, 1/2-20X.50 HHC	6

\* Order Individual Parts.

0 Indicates STANDARD HARDWARE ITEMS.

# 43" LAWN TRACTOR MODEL B3560-650

## ENGINE & CONTROL ASSEMBLY



**NOTE: ALWAYS USE ORIGINAL EQUIPMENT PARTS.** Use of service/replacement parts other than original equipment parts may void your warranty.

**ALL UNNUMBERED ITEMS ARE INTERCHANGABLE WITH OPPOSITE SIDE.**

316541A

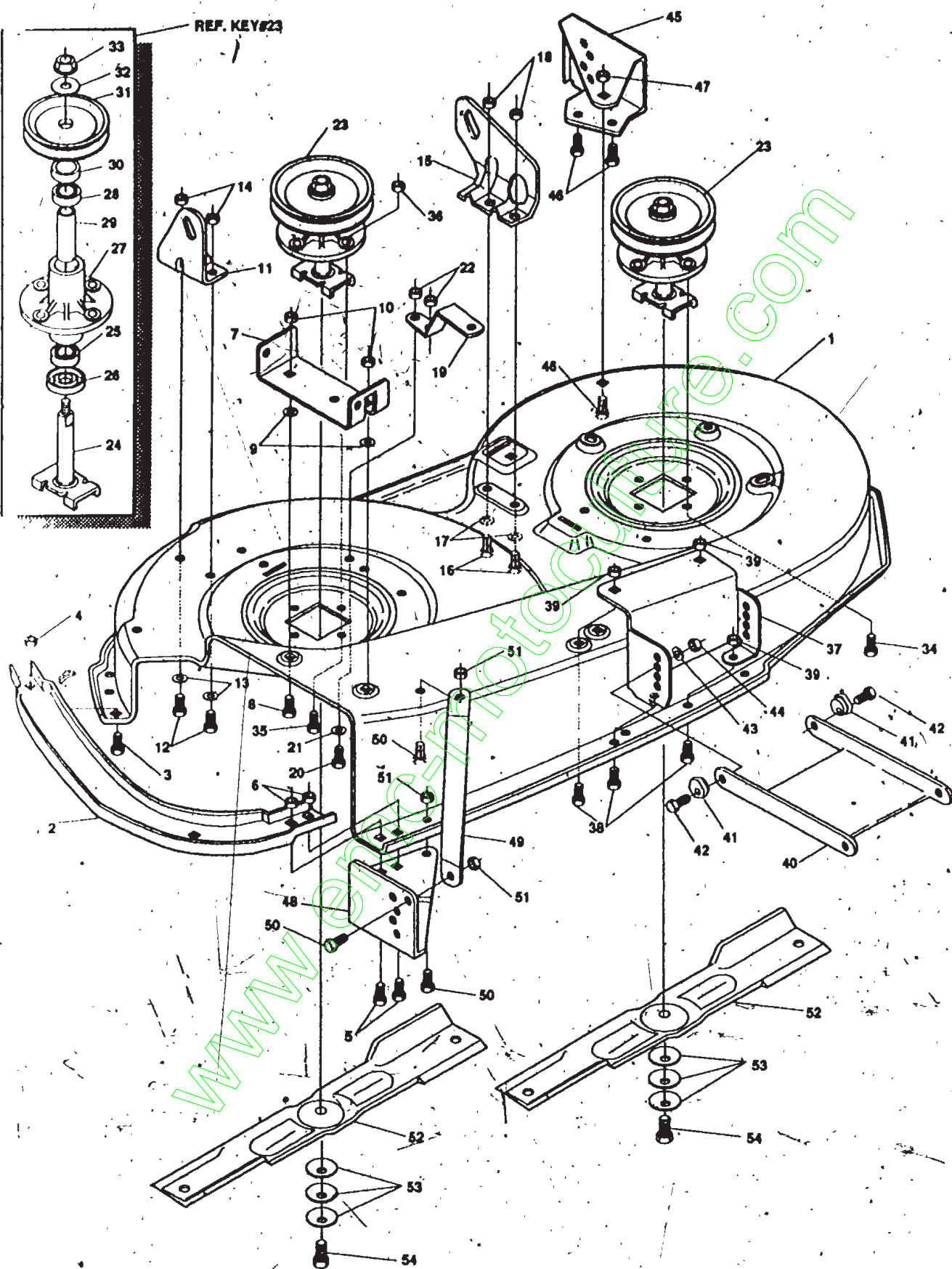
# 43" LAWN TRACTOR MODEL B3560-650

key#	part#	description	qty.
1	ENGINE	14HP BS V/TWIN 16AMP (SEE ENGINE MANUAL)	1
2	050947	SCREW, 3/8-16X1.25 WAHTAP	4
3	138489	WASHER, EXLK .384X.69X.04	1
4	305553	MUFFLER 15HP B&S VANG	1
5	305554	EXHAUST TUBE 15HP RH	1
6	305555	EXHAUST TUBE 15HP LH	1
7	306577	BRACKET, MUFFLER	1
8	056030	SCREW, 5/16-18X.75WDFLLK GR5	2
9	055273	NUT, 5/16-18 HXWDFLLK	2
10	0995346	SCREW, 1/4-20X .50 WAHTAP	2
11	9796	BRKT, TRANSAXLE	1
12	0995338	SCREW, 1/4-20X .63 HHWATAP	2
13	308144	HEAT SHIELD, MUFFLER	1
14	126211	BOLT, 5/16-18X .63 CARR	2
15	309436	PUSHNUT, 5/16 BOLT RETAINER	2
16	055273	NUT, 5/16-18 HXWDFLLK	2
17	316802	PULLEY, ENG 4.40OFF/5.00D/3.00D	1
18	57791	KEY, SQUARE .250SQX5.00LG	1
19	304246	SPACER, 1.01X1.484 ENGIN PULLEY	1
20	56431	WASHER, .980IDX1.38ODX.437PILOT	1
21	0120383	WASHER, REGSPTLK.459X.78X.12	1
22	0428644	SCREW, 7/16-20X5.00 HHC	1
23	314991	TANK, FUEL	1
24	049050	SCREW, 1/4-10X .75PHPNTAPGR	6
25	47452	GAS LINE	10'
26	48672	CLAMP, FUEL LINE	2
27	300304	CAP, FUEL - 2.0 THROAT	1
28	301713	ROD, UPSTOP	1
29	045171	NUT, 3/8-16 HWDFL WHIZ LOCK ZN	2
30	307174	NIPPLE 3/8-18 NPT X 4"	1
31	47828	CAP, PIPE 3/8-18 NPT	1
32	314797	OIL SENSOR, B&S TWIN CYL.	1
33	309092	THROTTLE CONTROL 34.00LG CAPRO	1
34	0159943	SCREW, #10-24X .63PHPNMA GR2BK	2
35	0271166	NUT, #10-24 HEXKEPS	2
36	57569	RETAINER, .311DX.62X.03 WIRE	1
37	300508	KNOB, THROTTLE CONTROL HANDGRIP	1
38	0159585	SCREW, #8-32X .38 PHPNMA	1
39	0120622	NUT, #8-32 REGHX	1
40	309093	CHOKE CONTROL 42.0LG .12PAN	1

◊ Indicates STANDARD HARDWARE ITEMS.

# 43" LAWN TRACTOR MODEL B3560-650

## PRE-PAINTED DECK ASSEMBLY



NOTE: ALWAYS USE ORIGINAL EQUIPMENT PARTS. Use of service/replacement parts other than original equipment parts may void your warranty.

ALL UNNUMBERED ITEMS ARE INTERCHANGABLE WITH OPPOSITE SIDE

315657A

# 43" LAWN TRACTOR MODEL B3560-650

key#	part#	description	qty.
1	317038	MOWER DECKS, RIDER 43"	1
2	304102	TOE GUARD	1
3	180075	SCREW, 5/16-18X .63 HHC	1
4	1498	NUT, 5/16-18 REGHEXCTRLK	1
5	122007	SCREW, 5/16-18X .75 HHC	2
6	1498	NUT, 5/16-18 REGHEXCTRLK	2
7	302364	BRACKET CHUTE MOUNT	1
8	180075	SCREW, 5/16-18X .63 HHC	2
9	120393	WASHER, FLAT .344X .69X.065	2
10	1498	NUT, 5/16-18 REGHEXCTRLK	2
11	58250	LIFT BRACKET, REAR, RH	1
12	180077	SCREW, 5/16-18X .75 HHC	2
13	120393	WASHER, FLAT .344X .69X.065	2
14	1498	NUT, 5/16-18 REGHEXCTRLK	2
15	58251	BRACKET, DECK LIFT REAR LH	1
16	180077	SCREW, 5/16-18X .75 HHC GR5	2
17	120393	WASHER, FLAT .344X .69X.065	2
18	1498	NUT, 5/16-18 REGHEXCTRLK	2
19	302363	BRACE IDLER	1
20	180077	SCREW, 5/16-18X .75 HHC	2
21	120393	WASHER, FLAT .344X .69X.065	2
22	44108	NUT, 5/16-18 HWDFLCTRLK	2
23	56424	QUILL, ASSY, 36/39/40/43	2
24	56425	SHAFT/SADDLE 36"	1
25	49562	BRNG, BALL	1
26	50816	DUST SHIELD	1
27	55547	QUILL CASTING (1046)	1
28	49562	BRNG, BALL	1
29	50818	SPACER, 3.797LGX.669IDX.88OD	1
30	51449	SPACER, .438LGX.932ODX.672ID	1
31	56390	PULLEY, 26/36" QUILL V5L	1
32	56365	SPECIAL WASHER	1
33	1282	NUT, 7/16-20 WDFLLK	1
34	50634	SCREW, 5/16-18X .88 WAHHTAP	7
35	300345	SCREW, 5/16-18X1.38 WATAP	1
36	1498	NUT, 5/16-18 REGHEXCTRLK	1
37	313778	BRACKET FRT.	1
38	180075	SCREW, 5/16-18X .63 HHC	4
39	1498	NUT, 5/16-18 REGHEXCTRLK	4
40	58305	LINK BRACKET, DECK FR	1
41	58247	ADJUSTING NUT	2
42	122017	SCREW, 5/16-18X1.00 HHC	2
43	35214	WASHER, FLAT .328X1.06X.062	2
44	1498	NUT, 5/16-18 REGHEXCTRLK	2
45	304426	BRACKET, GAGE WHEEL L.H.	1
46	180075	SCREW, 5/16-18X .63 HHC	3
47	1498	NUT, 5/16-18 REGHEXCTRLK	3
48	313925	BRACKET, GAGE WHEEL R.H. FRNT	1
49	314282	BRACKET, STABILIZER	1
50	180075	SCREW, 5/16-18X .63 HHC	3
51	1498	NUT, 5/16-18 REGHEXCTRLK	3
52	314369	BLADE, 43" STD-LIFT 21.70	2
53	2483	WASHER, .39IDX1.25DX.07 BELLVIL	6
54	39573	SCREW, 3/8-24X1.00 NYLHHC	2

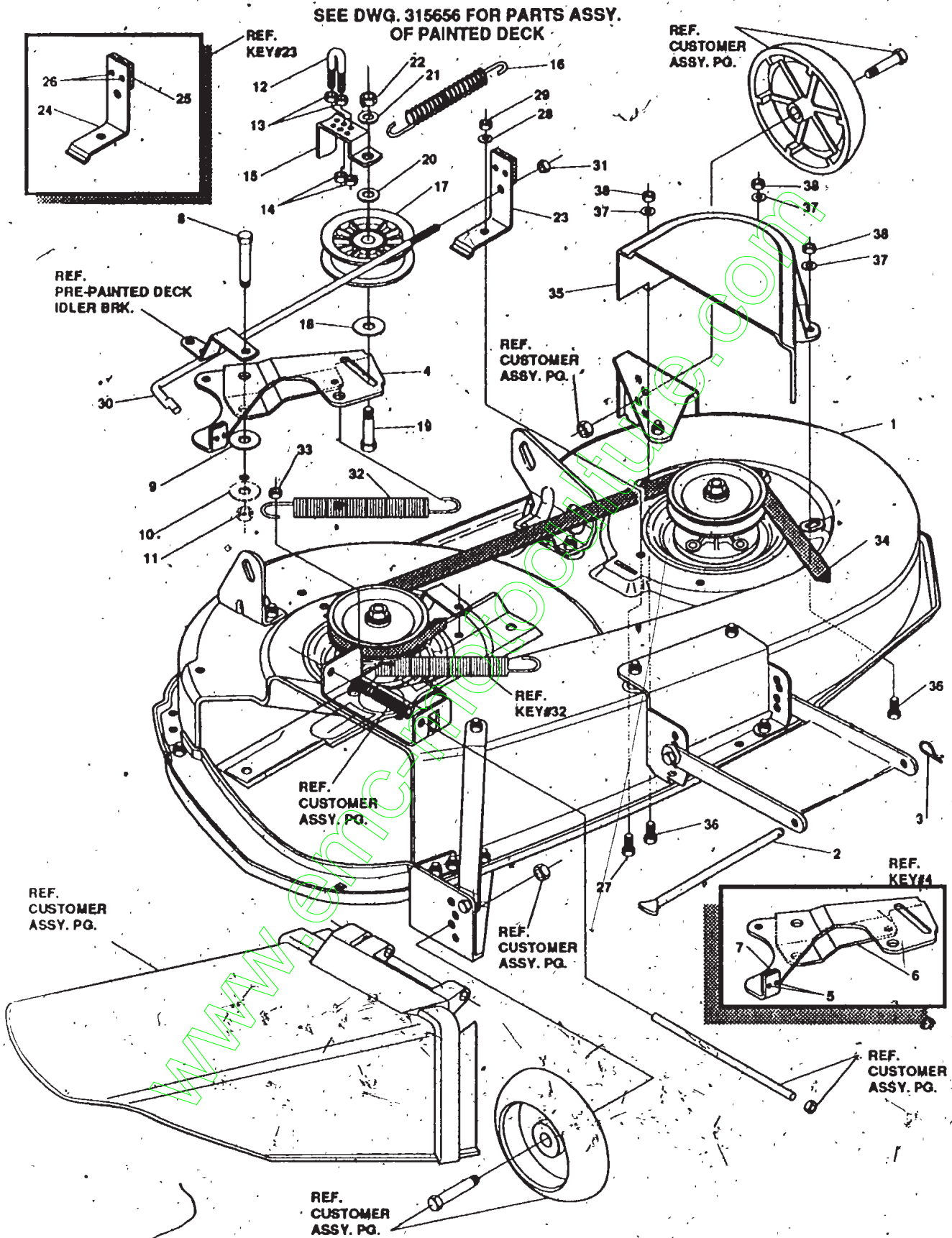
\* Raw part number. For a list of Painted part numbers refer to chart on decal page.

**BOLD** descriptions on parts page apply to box items and/or parts bag items.



# 43" LAWN TRACTOR MODEL B3560-650

## FINAL DECK ASSEMBLY



**NOTE: ALWAYS USE ORIGINAL EQUIPMENT PARTS.**  
Use of service/replacement parts other than original equipment parts may void your warranty.

**ALL UNNUMBERED ITEMS ARE INTERCHANGABLE WITH OPPOSITE SIDE**

315596A

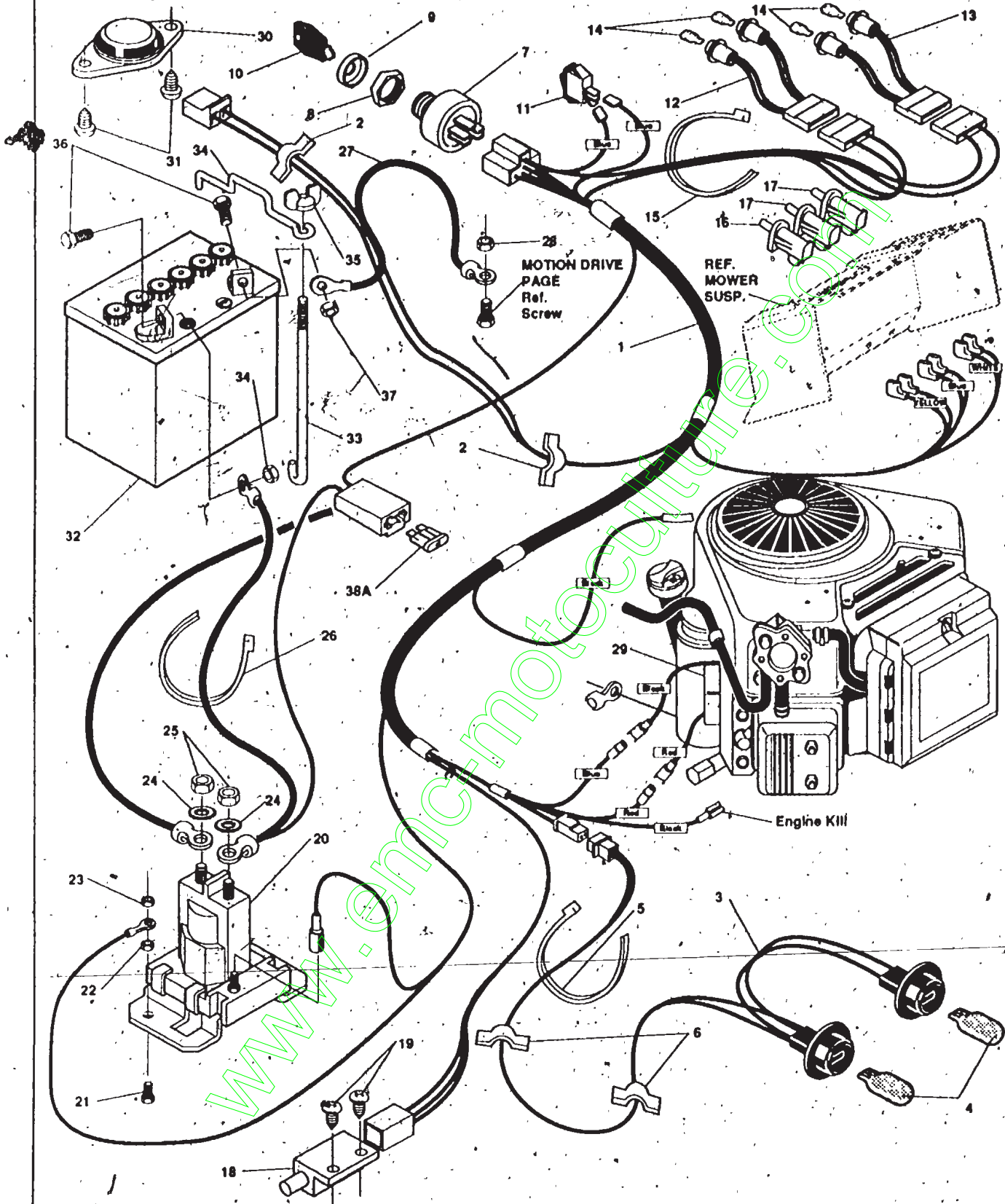
# 43" LAWN TRACTOR MODEL B3560-650

key#.	part#	description	qty.
1		DECK ASSEMBLY, 43" MOWER 2-WH EXP	1
2	58306	ROD, DECK HITCH	1
3	8260	PIN, HAIR .091 DIA X 1.68 LG	1
4	304414	ASSY. IDLER ARM	1
5	41601	RIVET, OVSET .187 DIA X .50 LG ST	2
6	305298	ARM IDLER	1
7	306973	BRAKE PAD	1
8	304420	BOLT, .500 X 2.15 HXHDCPSH	1
9	0996307	WASHER, FLAT .391 X 1.00 X 209	1
10	0996416	WASHER, FLAT .391 X 1.00 X 125	2
11	045171	NUT, 3/8-16 HWDFL WHIZ-LOCK	1
12	317303	U-BOLT 10-24 X .30 X 85	1
13	0271166	NUT, #10-24 HEXKEPS	2
14	0997316	NUT, #10-24 REGHEXCTRLK	1
15	315873	GUIDE, BELT, IDLER	1
16	314107	SPRING, TENSION 5.00 LG + 17 LB IN	1
17	310326	PULLEY, IDLER BFF 4.00 WIDE FL	1
18	25210	WASHER, FLAT .392 X 1.25 X .09	1
19	57325	BOLT, 3/8-16 X 2.00 CARR	1
20	0996307	WASHER, FLAT .391 X 1.00 X 209	1
21	0120382	WASHER, REGSPTLK .393 X .68 X .10	1
22	0120377	NUT, 3/8-16 REGHX	1
23	304118	BLADE BRAKE ASSY.	1
24	308241	BRAKE ARM	1
25	306973	BRAKE PAD	1
26	135624	RIVET, TRSET .185 DIA X .41 LG ST	2
27	0120228	SCREW, 5/16-18 X .63 HHC	1
28	120393	WASHER, FLAT .344 X .69 X .065	1
29	01498	NUT, 5/16-18 REGHEXCTRLK	1
30	314079	ROD, BRAKE	1
31	01502	NUT, 1/4-20 REGHEXCTRLK	1
32	35410	SPRING .071 X .62 X 4.97	1
33	01498	NUT, 5/16-18 REGHEXCTRLK	1
34	314108	BELT, V 5L 86.00 KEVLAR	1
35	314106	GUARD, BELT LH PLASTIC	1
36	0120228	SCREW, 5/16-18 X .63 HHC	3
37	0120393	WASHER, FLAT .344 X .69 X .065	3
38	01498	NUT, 5/16-18 REGHEXCTRLK	3

\* ORDER INDIVIDUAL PARTS  
 ♦ STANDARD HARDWARE ITEMS

# 43" LAWN TRACTOR MODEL B3560-650

## ELECTRICAL ASSEMBLY



**NOTE: ALWAYS USE ORIGINAL EQUIPMENT PARTS.**  
Use of service/replacement parts other than original equipment parts may void your warranty.

**ALL UNNUMBERED  
ITEMS ARE INTERCHANGABLE  
WITH OPPOSITE SIDE**

317710A

# 43" LAWN TRACTOR MODEL B3560-650

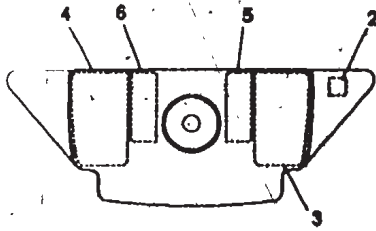
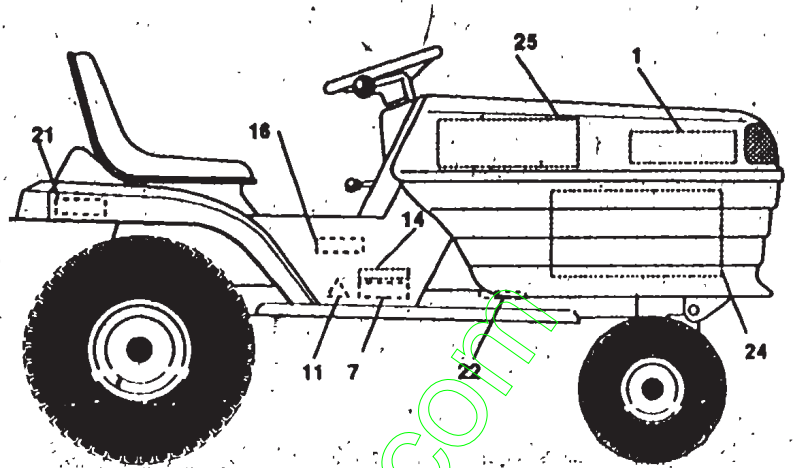
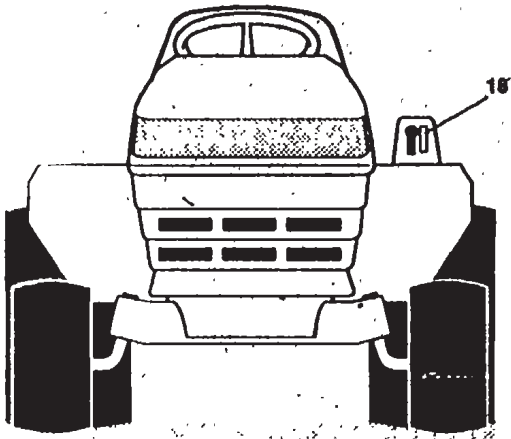
key#	part#	description	qty.
1	317084	WIRE HARNESS 14-18B&SVANG GP	1
2	41482	PRESS CLIP,1.380LG .255ID	2
3	303064	ASSY,LIGHT WIRE-1/4 TURN	1
4	62572	BULB, HEADLAMP	2
5	57444	TIE, CABLE BLACK NYLON 5.62L	1
6	41482	PRESS CLIP,1.380LG .255ID	2
7	305720	SWITCH-IGN.(AFTER FIRE) 3 POSN	1
8	◇ 300193	NUT, 5/8-32 IGN SWIT PLAS	1
9	300194	BOOT,SWITCH	1
10	300626	KEY, IGNITION SWITCH	1
11	300334	LIGHT SWITCH ON/OFF PANEL MNT	1
12	317005	LIGHT HARNESS 2 I.L. MOWER/CL	1
13	305702	HARNESS LIGHT 2 I.L.	4
14	57769	BULB, INDICATOR	4
15	57444	TIE, CABLE BLACK NYLON 5.62L	1
16	300220	SWITCH,SNAPMNT NO .055/.116	1
17	58277	SWITCH,SNAPMNT NC .055/.166	2
18	57476	SWITCH,SCR MNT DP NC NO	1
19	◇ 57220	SCREW, #12 X .50 PHPNHTAP	2
20	53716	SOLENOID	1
21	◇ 187745	SCREW, 1/4-20X .75 HXSEMMA	2
22	◇ 1502	NUT, 1/4-20 REGHEXCTRLK	2
23	◇ 271172	NUT, 1/4-20 REGHEXKEPS	1
24	138485	WASHER, EXLK.320X.61X.03	2
25	◇ 120368	NUT, 5/16-24 REGHEX	2
26	57444	TIE, CABLE BLACK NYLON 5.62L	1
27	55511	WIRE, GROUND, 12.5"	1
28	◇ 271184	NUT, 5/16-18 HEXKEPS	1
29	315602	REGULATOR,SEN VOLT BS W/SENSOR	1
30	57547	SWITCH, SEAT	1
31	◇ 160505	SCREW, 1/4-20X .38PHPNHMAGR2	2
32	302257	BATTERY 12V 7 PLATE	1
33	57551	ROD, BATTERY	1
34	57552	ROD, BATTERY TOP	1
35	310067	NUT, WING 1/4-20 SMALL PLASTIC	1
36	◇ 120854	SCREW, 1/4-20X .63 HHC	2
37	◇ 271172	NUT, 1/4-20 REGHEXKEPS	2
38A	** 302031	FUSE, 15 AMP SPADE TYPE	1
38B	** 49211	FUSE, 15 AMP CLYRINDRICAL TYPE	

◇STANDARD HARDWARE ITEMS

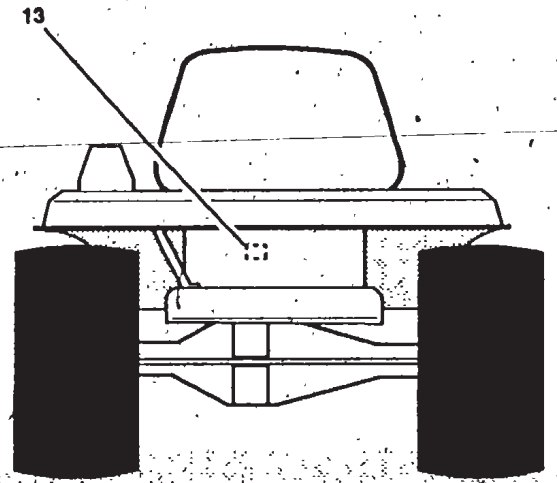
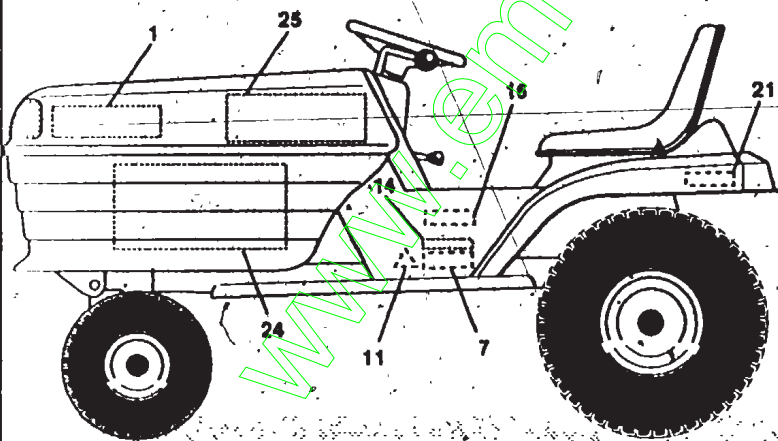
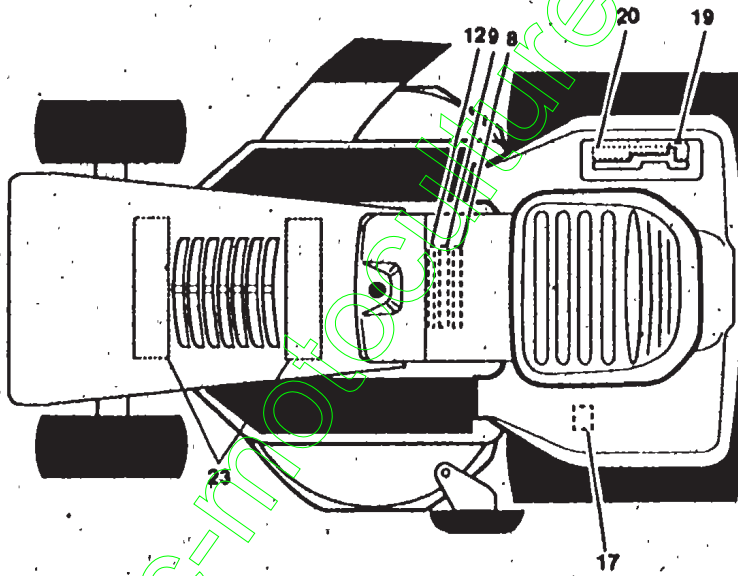
\*\*Cylindrical or Spade type fuses are included with the wire harness.

# 43" LAWN TRACTOR MODEL B3560-650

## DECALS



DASH DECALS



**NOTE: ALWAYS USE ORIGINAL EQUIPMENT PARTS.**  
Use of service/replacement parts other than original equipment parts may void your warranty.

**ALL UNNUMBERED  
ITEMS ARE INTERCHANGABLE  
WITH OPPOSITE SIDE**

315751A

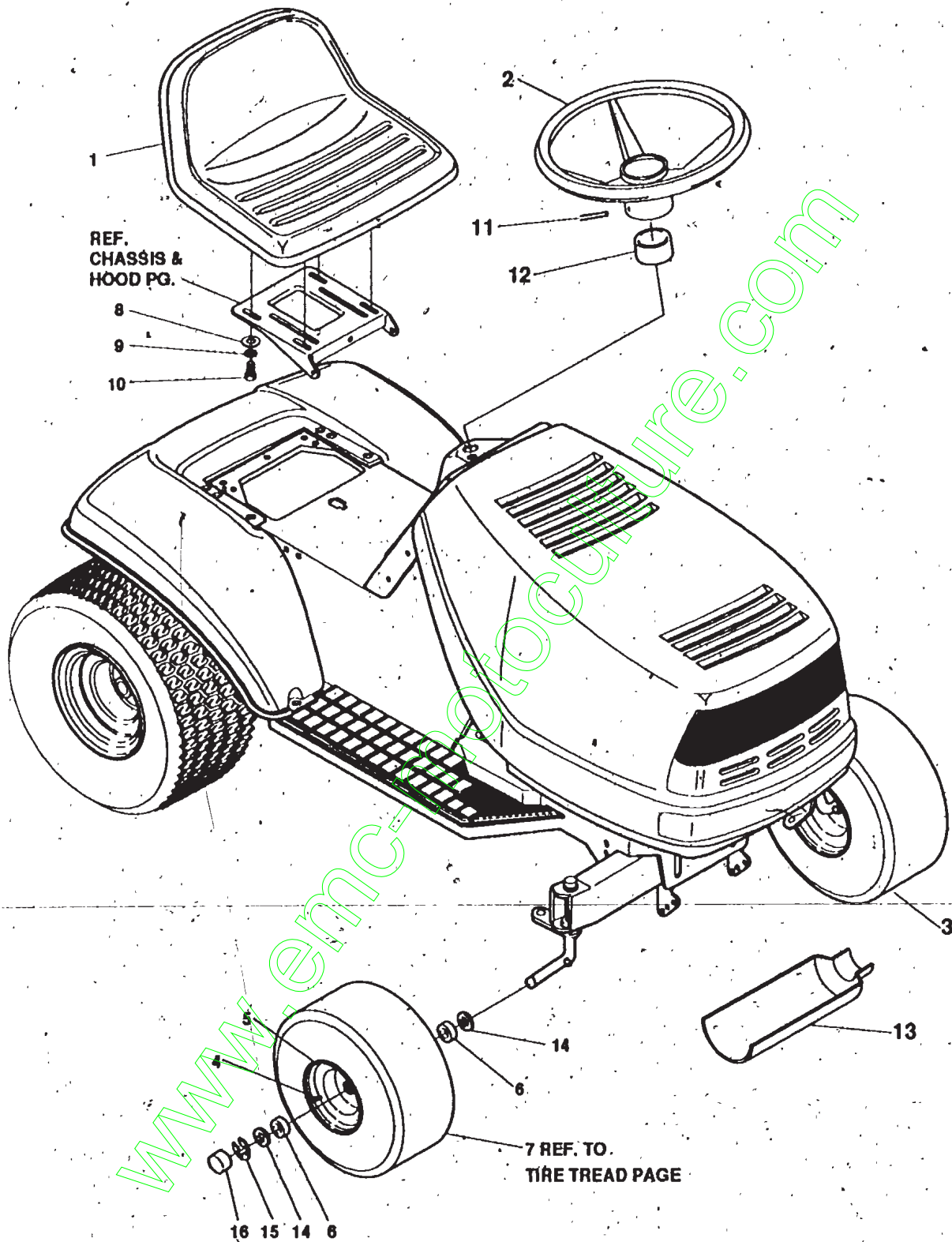
# 43" LAWN TRACTOR MODEL B3560-650

KEY#	PART#	DESCRIPTION	QTY
1	311198	NAMEPLATE AL-KO	2
2	68900	DECAL, BLADE ENGAGE EUROPE	1
3	305786	DECAL, DASH, RH IGN	1
4	305787	DECAL, DASH, LH	1
5	314900	DECAL, DASH RH	1
6	314901	DECAL, DASH LH	1
7	68902	DECAL, WARNING, FRENCH/GERMAN	2
8	68524	DECAL, INSTRUCT CONSOLE TOP GER	1
9	68525	DECAL, INSTRUCT CONSOLE TOP FR	1
10		REFERENCE ONLY	
11	305770	DECAL, CAUTION TRIANGLE EUROPE	2
12	307383	DECAL, INSTR. CONSOLE TOP ENGL	1
13	310438	DECAL, FRENCH SAFETY CERT.	1
14	310553	DECAL, DANGER ENGLISH	2
15		REFERENCE ONLY	1
16	317067	DECAL, RH CONSOLE T14/110SD-4WS	2
17	68901	DECAL, BLADE HEIGHT ADJ. EUROPE	1
18	301897	DECAL, LIFT DECK BLADE HEIGHT	1
19	311394	DECAL, SHIFT REV/NEUTRAL	1
20	311395	DECAL, SHIFTER POSITION F4360-6	1
21	314118	DECAL, ALL-WHEEL STEER	2
22	68903	DECAL, BRAKE/CLUTCH EUROPE	1
23	305602	FOAM HOOD 4X15	2
24	305604	FOAM HOOD 7X12	2
25	305603	PAD, 18 X 6 FOAM HOOD	2

www.emc-motoculture.com

# 43" LAWN TRACTOR MODEL B3560-650

## CUSTOMER ASSEMBLY



317693A

**CUSTOMER ASSEMBLY VIEW**  
**317690 PARTS BAG ASSY QTY1**

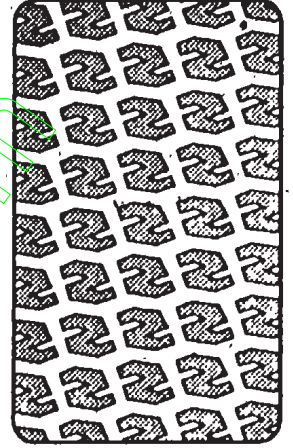
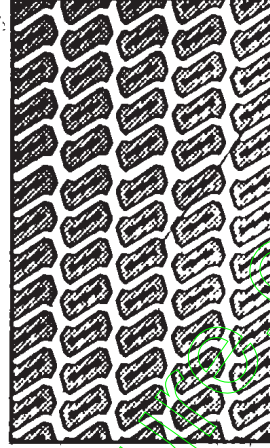
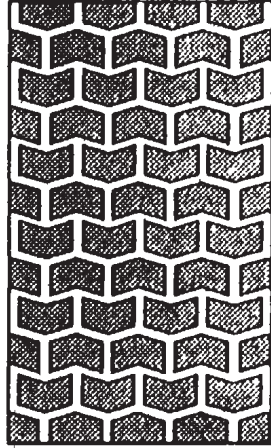
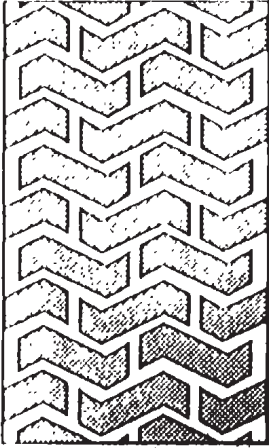
key#	part#	description	qty
1	57454	SEAT,450 MICH.	1
2	301251	WHEEL, STEERING, 13"	1
3	.	TIRE & RIM, PU 15X6.0X6 TURF	2
4	24167	VALVE STEM	1
5	39829	WHEEL W/BRG.	1
6	39979	BEARING,FL1.38OD+.753ID PM	2
7		REFER TO TIRE TREAD PAGE	
8	120393	WASHER, FLAT .344X .69X.065	4
9	120638	WASHER, HVSP TLK .328X.60X.09	4
10	122007	SCREW, 5/16-18X .75 HHC	4
11	456378	PIN, SPRING.250DIAX2 00LG HVPL	1
12	57212	COVER, STEERING SHAFT	1
13	54873	TROUGH, OIL DRAIN	1
14	642	WASHER, FLAT .755X1.31X.075	4
15	36625	RING, RETEX .57X.05TRU5133-75	2
16	40394	CAP, 1.500ID X 7/8LG HUB	2

\* ORDER INDIVIDUAL PARTS.

[www.emc-motoculture.com](http://www.emc-motoculture.com)



# TREAD PATTERNS



TIRE SIZE	"A"	"B"	"C"	"D"
11 X 4.00 - 5	42295			
13 X 5.00 - 6	41060			
15 X 6.00 - 6	301140	316702	39830	313952
16 X 6.50 - 8		41081		314539
18 X 6.50 - 8				
18 X 9.50 - 8		316701		313950
20 X 8.00 - 8	314584			
20 X 10.00 - 8	58276			313565
20 X 10.00 - 10		55893		
23 X 9.50 - 12	314370			
23 X 9.50 - 12		53655		

www.emcsmotoculture.com

## ACCESSORIES

**Contact the dealer where your tractor was purchased for the available accessories. If you are unable to contact the dealer, write to the address on the front cover of this manual.**

### Rear Engine Rider

Model	Description
5708-16	Bagger - Fits 32" Side Discharge
5708-17	Bagger - Fits 36" Side Discharge
5709-02	Front Weight Box - holds 35 lbs.
5648-16	Lawn Sweeper w/dump Release

### Lawn Tractor

Model	Description
5708-22	Bagger - Fits 30" Side Discharge
5708-13	Bagger - Fits 36", 38", 39" & 45" Side Discharge
5705-04	36" Two-Stage Snowblower - Fits 36", 38", 39", & 45" Side Discharge
5661-06	42" Snowblade - Fits 36", 38", 39", & 45"
5592-00	Tire Chains - 18" x 6.50"
5585-00	Tire Chains - 18" x 9.50" & 20" x 8"
5672-01	Wheel Weights - Front - 1 pr. w/mtg. hdw. - Fits 15" tires
5673-02	Wheel Weights - Rear - 1 pr. w/mtg. hdw. - Fits 18" & 20" tires
5709-03	Front Weights - Fits 30" & 32" Side Discharge
5648-16	Lawn Sweeper w/dump Release

### Garden Tractor - Light Ground Engaging

Model	Description
5708-13	Bagger - Fits 36", 38", 39", & 45" Side Discharge
5705-04	36" Two - Stage Snowblower - Fits 36", 38", 39", & 45"
5661-06	42" Snowblade - Fits 36", 38", 39", & 45"
5672-01	Wheel Weights - Front 1 pr. w/mtg. hdw. - Fits 15" tires
5673-02	Wheel Weights - Rear - 1 pr. w/mtg. hdw. - Fits 18" & 20" tires
5648-16	Lawn Sweeper w/dump Release
5667-02	Sleeve Hitch - w/lift bar. - Fits 45"
5668-01	Adaptor (sleeve hitch) for use w/23" tires
5706-00	Tire Chains - 20" x 10"
5671-00	Tire Chains - 23" x 9.50"
5672-02	Wheel Weights - Front - 1 pr. w/mtg. hdw. Fits 16" tires
5673-00	Wheel Weights - Rear - 1 pr. w/mtg. hdw. Fits 23" tires
5674-01*	10" One Bottom Moldboard Plow
5675-01*	Cultivator - 7 row - Adj. 6" - 42" width
5676-01*	Disc Harrow - 8" & 11" disc - Adj. width & disc angle
5677-02*	Tiller - 5 H.P. Self-Powered - 28" width

### Four Wheel Steer

Model	Description
5708-14	Bagger - Fits 40" & 46" Side Discharge
5705-05	42" One-Stage Snowblower - Fits 40" & 46"
5661-07	48" Snowblade - Fits 40" & 46"
5709-04	Rear Weight Box for 40" & 46"
5648-16	Lawn Sweeper w/dump Release
5706-00	Tire Chains 20" x 10"
5671-00	Tire Chains 23" x 9.50"
5672-02	Wheel Weights - Front - 1 pr. w/mtg. hdw. Fits 16" tires
5673-00	Wheel Weights - Rear - 1 pr. w/mtg. hdw. Fits 23" tires
5672-01	Wheel Weights - Front - 1 pr. w/mtg. hdw. Fits 15" tires
5673-02	Wheel Weights - Rear - 1 pr. w/mtg. hdw. Fits 18" & 20" tires

### Four Wheel Steer Garden Tractor

Model	Description
5667-04	Sleeve Hitch - w/lift bar Fits 46"
5674-01*	10" One Bottom Moldboard Plow
5675-01*	Cultivator - 7 row - Adj. 6" - 42" width
5676-01*	Disc Harrow 8" & 11" Disc. Adj. width & disc angle
5677-02*	Tiller 5 H.P. Self-Powered - 28" width
5648-16	Lawn Sweeper w/dump Release

\*Requires a sleeve hitch

Part No. 317852