

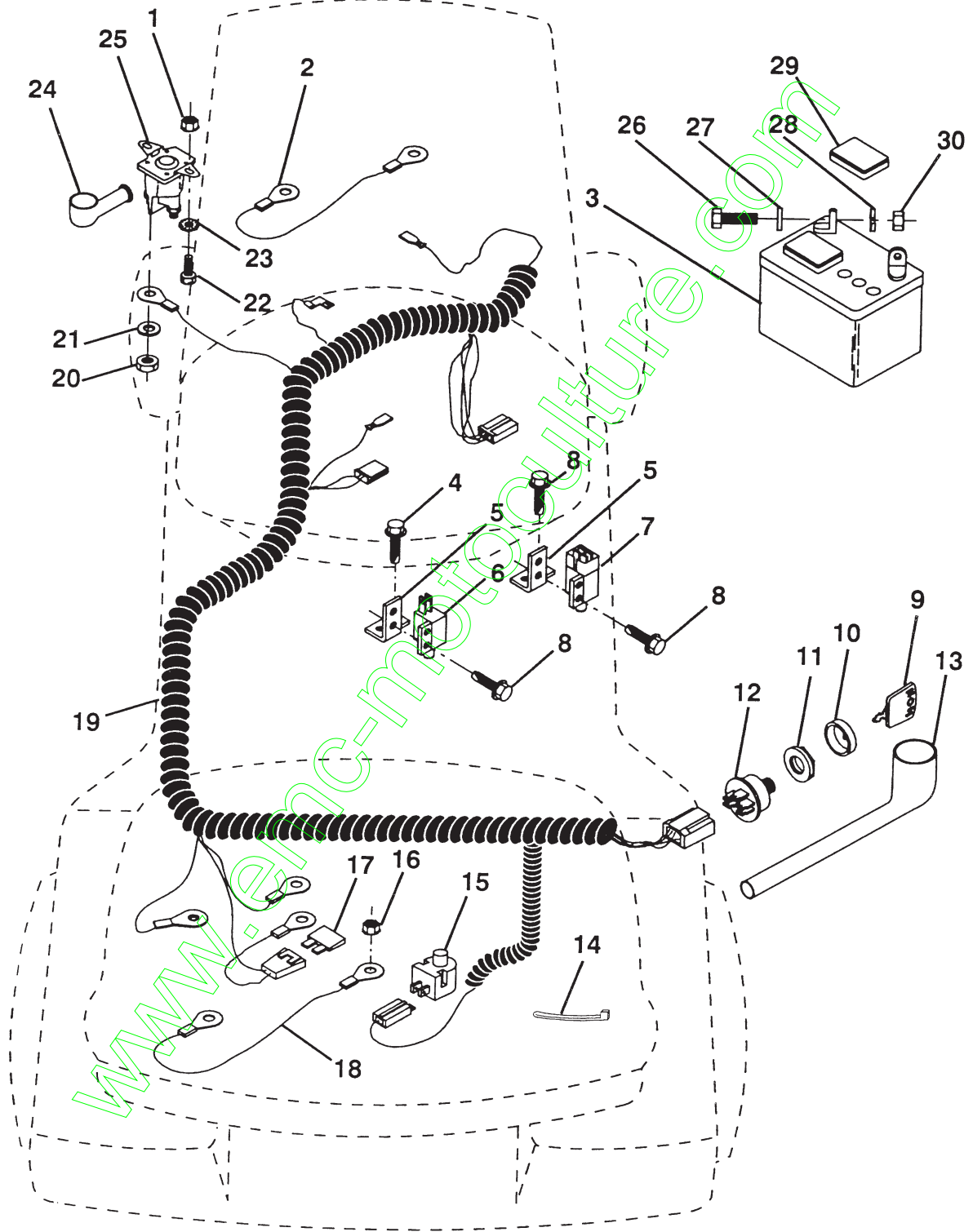
ILLUSTRATED PARTS BREAKDOWN

**BERNARD LOISIRS
12 HP LAWN RIDER
MODEL NO. BL1236C
954 00 22-41**

www.emc-motoculture.com

ILLUSTRATED PARTS BREAKDOWN

ELECTRICAL



ILLUSTRATED PARTS BREAKDOWN

ELECTRICAL

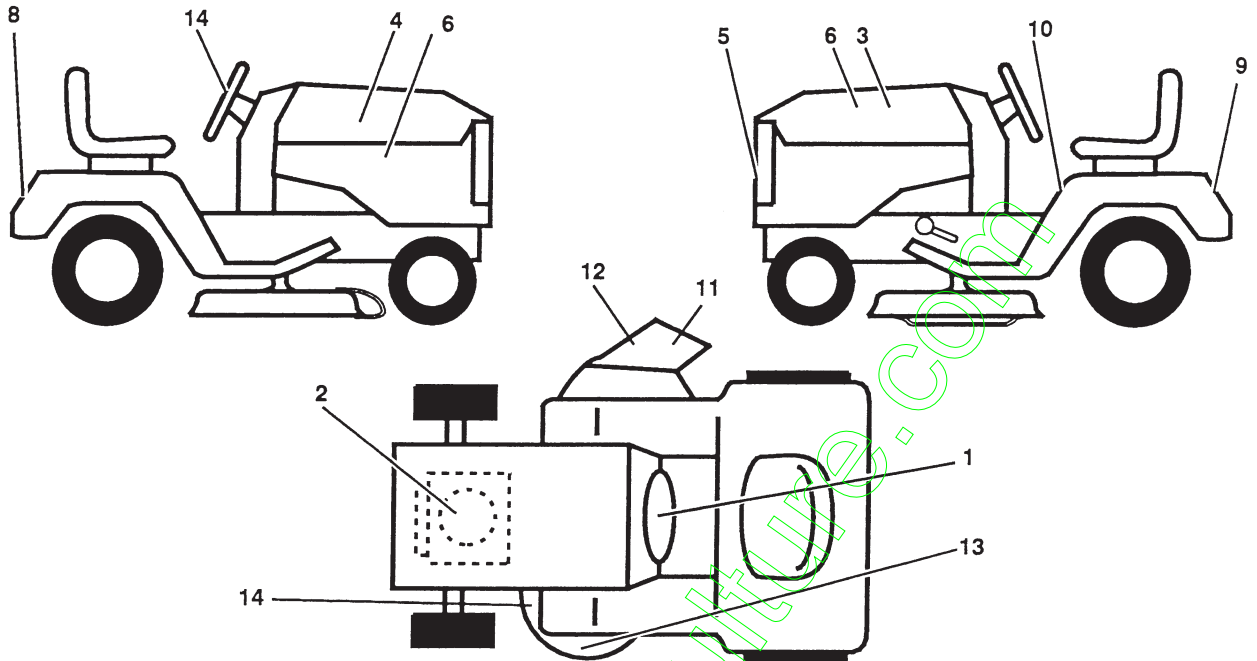
KEY NO.	PART NO.	DESCRIPTION	KEY NO.	PART NO.	DESCRIPTION
1	873510400	Nut, Hex Keps 1/4-20	16	873510500	Nut, Keps 5/16-18
2	532108423	Assembly, Cable	17	532108824	Fuse
3	532121265	Battery	18	532128353	Assembly, Cable
4	817211008	Screw, Hex Wsh. Tap #10-16 x 1/2	19	532132223	Harness, Ignition
5	532108236	Bracket, Switch	20	873350400	Nut, Hex Jam 1/4-20
6	532104445	Switch, Interlock	21	810090400	Washer, Lock 1/4
7	532109553	Switch, Interlock	22	874780408	Bolt, Fin. Hex 1/4-20 UNC x 1/2 Gr. 5
8	817021008	Screw, Tap Hex Hd.	23	811050400	Washer, Lock Ext. Tooth 1/4
9	532122147	Key, Molded	24	532131563	Cover, Terminal
10	532123620	Cover, Key Ignition	25	532109081	Solenoid
11	532124211	Nut, Ignition	26	874760412	Bolt, Hex Hd. 1/4-20 UNC x 1 1/2
12	4406R	Switch, Ignition	27	819091016	Washer 9/32 x 5/8 x 16
13	532124083	Cover, Ignition Switch	28	810040400	Washer, Lock 1/4
14	532124756	Tie, Cable	29	532121264	Cap, Battery
15	532121305	Switch, Plunger	30	873220400	Nut, Fin. Hex 1/4-20 UNC

HARDWARE SHOWN LARGER FOR EASIER IDENTIFICATION

www.emc-motocult.com

ILLUSTRATED PARTS BREAKDOWN

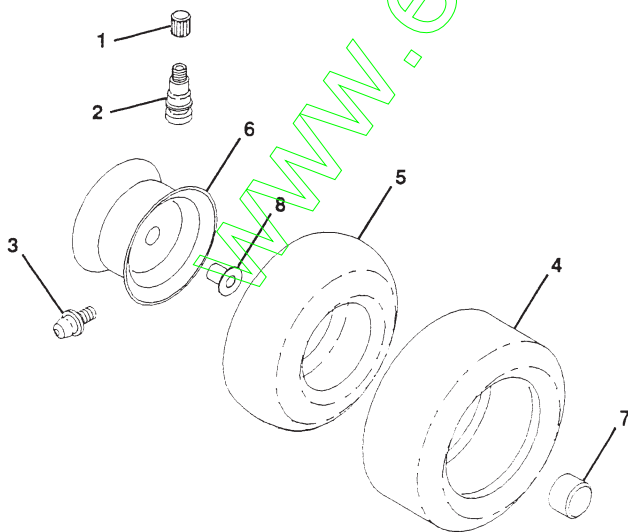
DECALS



KEY NO.	PART NO.	DESCRIPTION
1	532123637	Decal, Operating
2	532120601	Decal, Engine
3	532125816	Decal, Hood Stipe L.H.
4	532125817	Decal, Hood Stipe R.H.
5	532125820	Decal, Grill
6	532125859	Decal Side Panel
8	532125819	Decal, Fender
9	532125690	Decal, 100 DBA

KEY NO.	PART NO.	DESCRIPTION
10	532120822	Decal, Caution\
11	532126192	Decal, Warning, Deflector
12	532126194	Decal, Caution, Deflector
13	532126196	Decal, Rotating Blades
14	532125835	Decal, Steering Wheel Insert
--	532131819	Manual, Operator's

WHEELS & TIRE

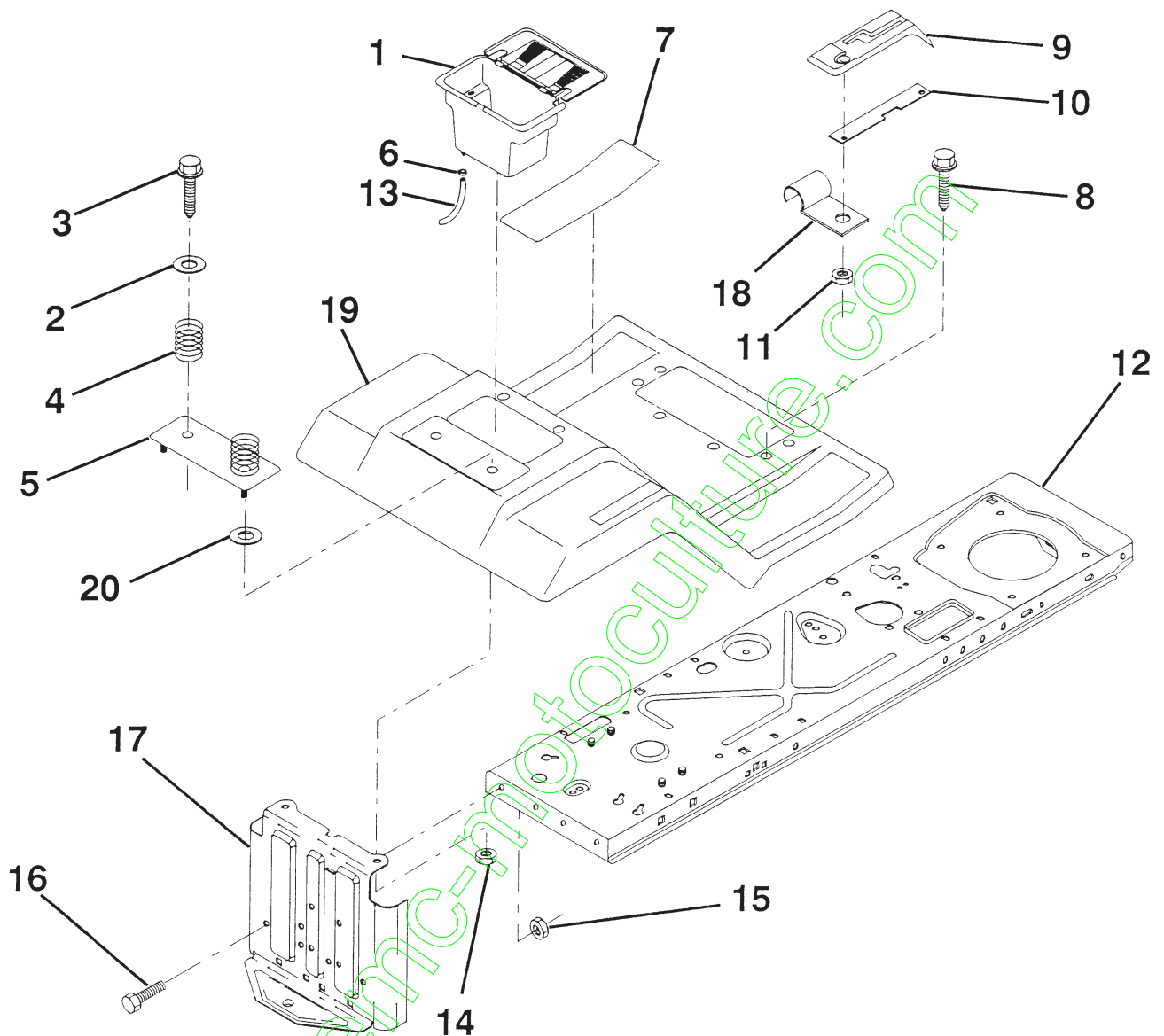


KEY NO.	PART NO.	DESCRIPTION
1	532059192	Cap, Valve
2	532065139	Stem, Valve
3	532124957	Fitting, Grease
4	532123411	Tire, Rear
	532123410	Tire, Front
5	532008134	Tube, Rear (Opt. Serv. Items Only)
	532059904	Tube, Front (Opt. Serv. Items Only)
6	532124843	Rim, Front
	532124844	Rim, Rear
7	532104757	Cap, Axle
8	532124959	Bearing, Flange (Front Wheels Only)

HARDWARE SHOWN LARGER FOR EASIER IDENTIFICATION

ILLUSTRATED PARTS BREAKDOWN

FENDER / CHASSIS

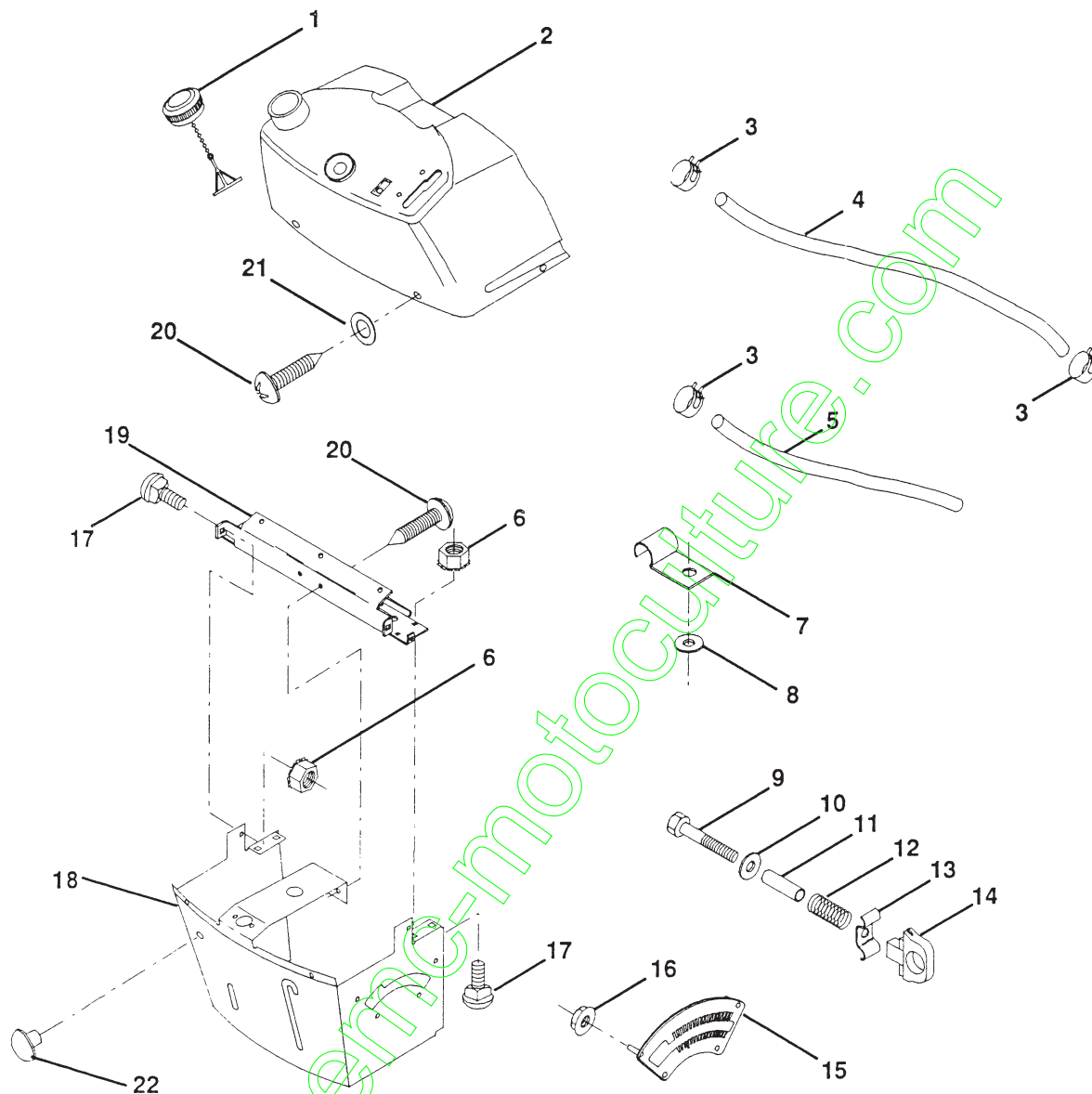


KEY NO.	PART NO.	DESCRIPTION	KEY NO.	PART NO.	DESCRIPTION
1	532129965	Case, Battery	11	532124346	Nut, Self-Threading, Washer Head 3/16
2	819132012	Washer 13/32 x 1-1/4 x 12 Gauge	12	532133384	Assembly, Frame
3	817490612	Screw, Hex Wsh. Thrdol. 3/8-16 x 3/4	13	532105687	Tube, Battery Drain
4	532124181	Spring, Compression, Seat	14	873510400	Nut, Keps 1/4-20 UNC
5	532125139	Plate, Asm. Battery	15	873680500	Nut, Crownlock 5/16-18
6	532109596	Clamp, Hose	16	874760512	Bolt, Hex Hd. 5/16-18 UNC x 3/4
7	532124144	Pad, Footrest	17	532127880	Drawbar
8	817490512	Screw, Hex Wsh. Thrdol. 5/16-18 x 3/4	18	532126470	Clip, Insulated
9	532126995	Console, Shift Control	19	532125140	Fender/Footrest
10	532124307	Bar, Shift Lock	20	819091413	Washer 9/32 x 7/8 x 13 Ga.

HARDWARE SHOWN LARGER FOR EASIER IDENTIFICATION

ILLUSTRATED PARTS BREAKDOWN

DASH

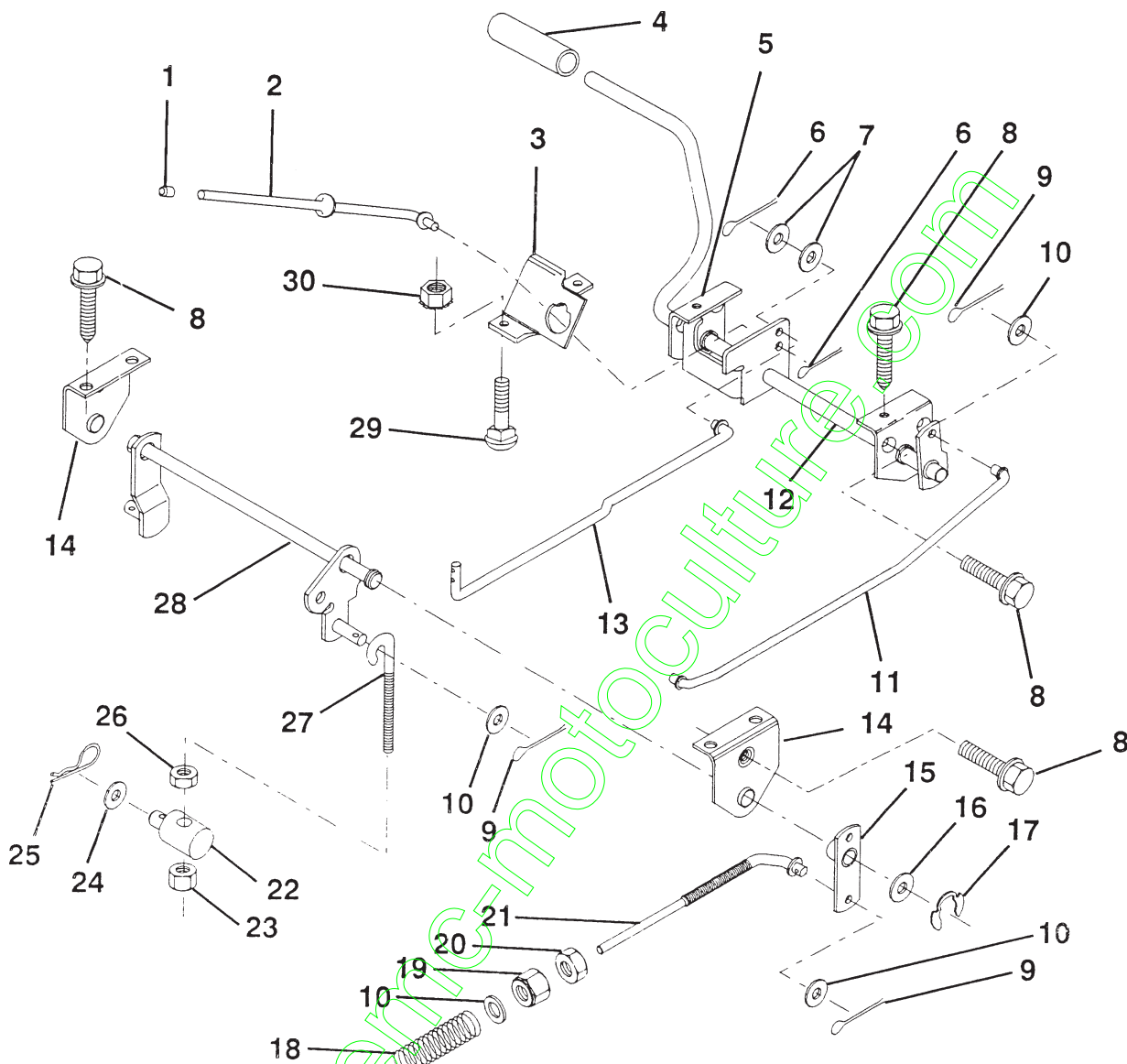


KEY NO.	PART NO.	DESCRIPTION	KEY NO.	PART NO.	DESCRIPTION
1	532122015	Cap, Fuel	12	532003720	Spring
2	532130913	Assembly, Dash & Fuel Tank	13	532126450	Clip, Height Adjustment
3	532123487	Clamp, Hose	14	532126115	Knob, Height Stop
4	532008544	Line, Fuel	15	532122023	Adjustment, Quadrant Height
5	532008548	Line, Fuel	16	532124346	Nut, Self-Threading 3/16-18
6	873510400	Nut, Hex, Keys 1/4-20	17	872110404	Bolt, Carriage 1/4-20 x 1/2 Gr. 5
7	532124996	Clip, Fuel Line	18	532130745	Support Assembly, Dash
8	819091216	Washer 9/32 x 3/4 x 16 Ga.	19	532130722	Brace, Cross
9	874760428	Bolt, Hex, Fin 1/4-20 x 1-3/4	20	818000408	Screw, Self-Tapping 1/4-20 x 1/2
10	819091413	Washer 11/32 x 11/16 x 16 Ga.	21	819090816	Washer 9/32 x 1/2 x 16 Ga.
11	532121249	Spacer, Split	22	532134014	Plug

HARDWARE SHOWN LARGER FOR EASIER IDENTIFICATION

ILLUSTRATED PARTS BREAKDOWN

BRAKE / REAR MOWER LIFT ASSEMBLY

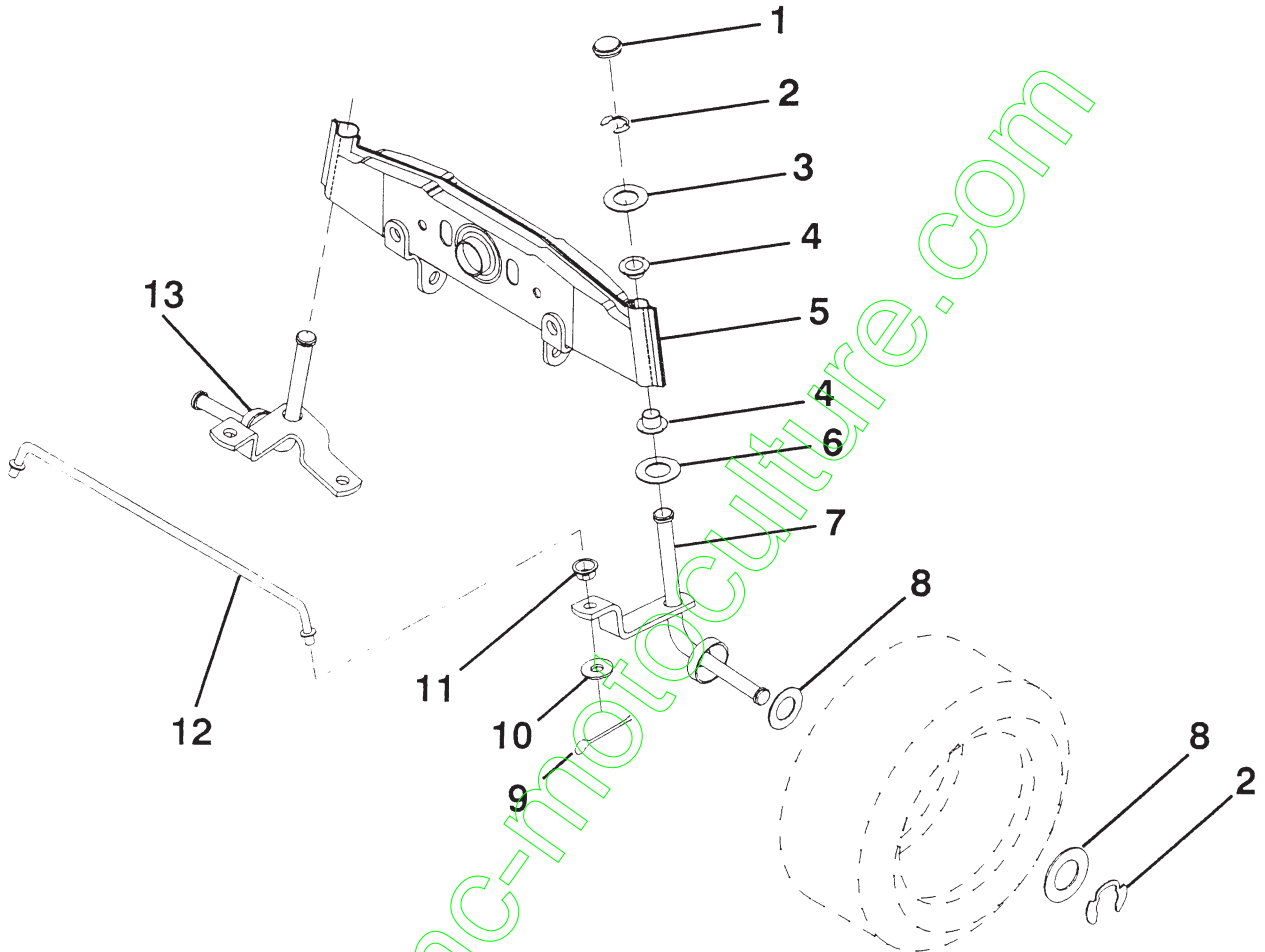


KEY NO.	PART NO.	DESCRIPTION	KEY NO.	PART NO.	DESCRIPTION
1	532071673	Cap, Plunger	16	819251816	Washer 25/32 x 1-1/8 x 16 Ga.
2	532123436	Rod, Parking Brake	17	812000034	Ring, Klip
3	532123437	Bracket, Parking Brake	18	532106888	Spring, Brake Rod
4	532124872	Cover, Pedal	19	873800600	Locknut, Hex w/Washer insert 3/8-16 UNC
5	532122504	Bracket, Clutch/Brake Pedal, L.H.	20	873350600	Nut, Hex, Jam 3/8-16 UNC
6	876020312	Pin, Cotter 3/32 x 3/4	21	532131460	Rod, Rear Brake
7	819131016	Washer 13/32 x 5/8 x 16 Ga.	22	532127378	Trunnion, Lift
8	817490508	Screw, Hex, Thd. Roll. 5/16-18 x 1/2	23	873680600	Nut, Crownlock 3/8-16 UNC
9	876020412	Pin, Cotter 1/8 x 3/4	24	819132012	Washer 13/32 x 1-1/4 x 12 Ga.
10	819131316	Washer 13/32 x 13/16 x 16 Ga.	25	532124961	Spring, Retainer
11	532123543	Rod, Brake Front	26	873930600	Nut, Centerlock 3/8-16 UNC
12	532129567	Assembly, Clutch/Brake Pedal	27	532127369	Link, Threaded
13	532123364	Rod, Clutch	28	532127358	Assembly, Rear Mower Lift
14	532121978	Bracket, Lift, Shaft	29	872110506	Bolt, Carriage 5/16-18 UNC x 3/4
15	532123611	Assembly, Brake, Pivot, Arm	30	873510500	Nut, Keps 5/16-16 UNC

HARDWARE SHOWN LARGER FOR EASIER IDENTIFICATION

ILLUSTRATED PARTS BREAKDOWN

FRONT AXLE



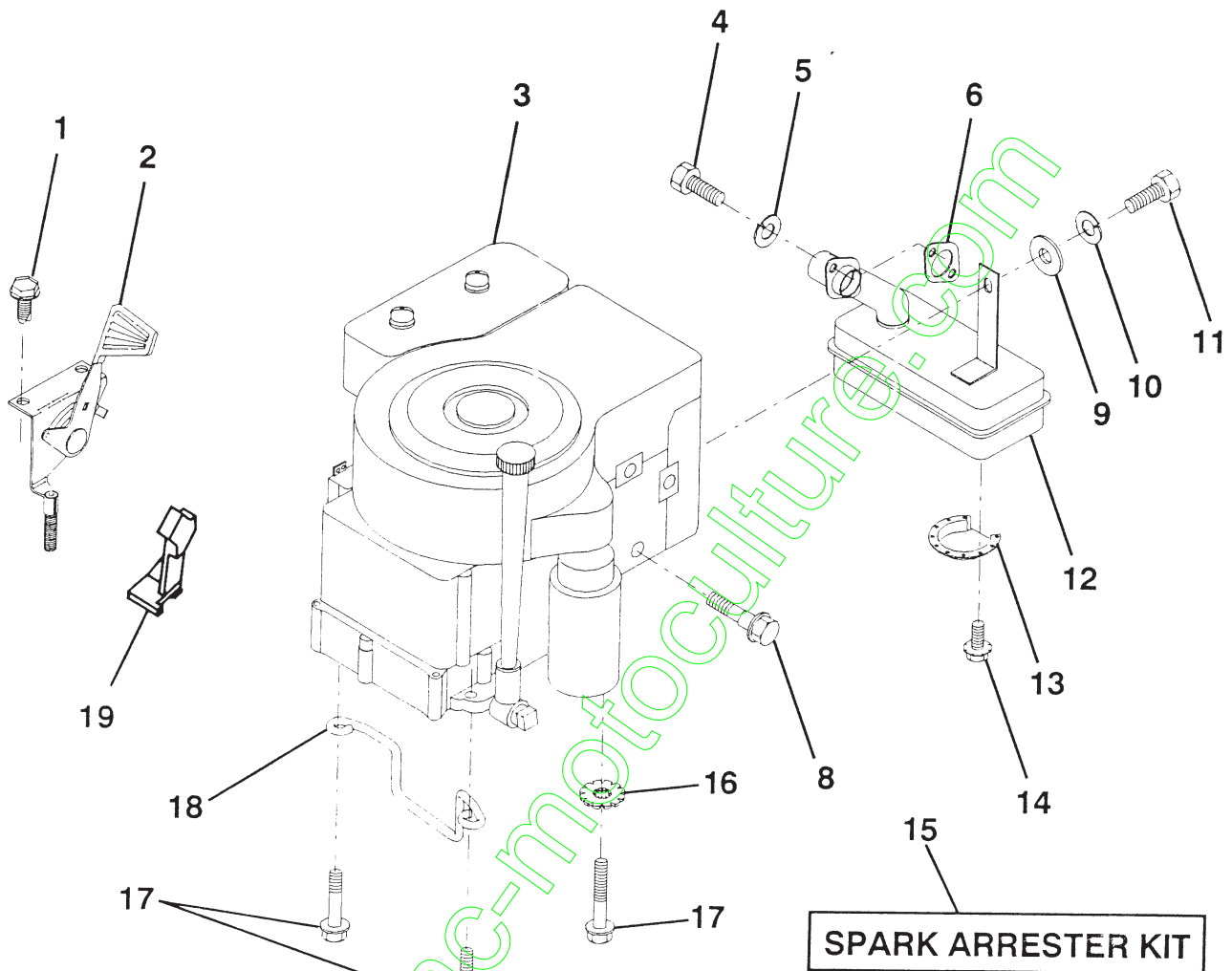
KEY NO.	PART NO.	DESCRIPTION
1	532121232	Cap, Spindle
2	812000029	Ring, Clip
3	532121748	Washer 25/32 x 1-5/8 x 16 Ga.
4	532121922	Nyliner
5	532128543	Axle, Front
6	532124931	Bearing, Thrust
7	532121919	Spindle, R.H. Asm.

KEY NO.	PART NO.	DESCRIPTION
8	532121749	Washer 25/32 x 1-1/4 x 16 Ga.
9	876020412	Pin, Cotter 1/8 x 3/4
10	819131316	Washer 13/32 x 13/16 x 16 Ga.
11	532126847	Bushing
12	532121924	Rod, Tie
13	532121916	Spindle, L.H. As.n.

HARDWARE SHOWN LARGER FOR EASIER IDENTIFICATION

ILLUSTRATED PARTS BREAKDOWN

ENGINE / THROTTLE



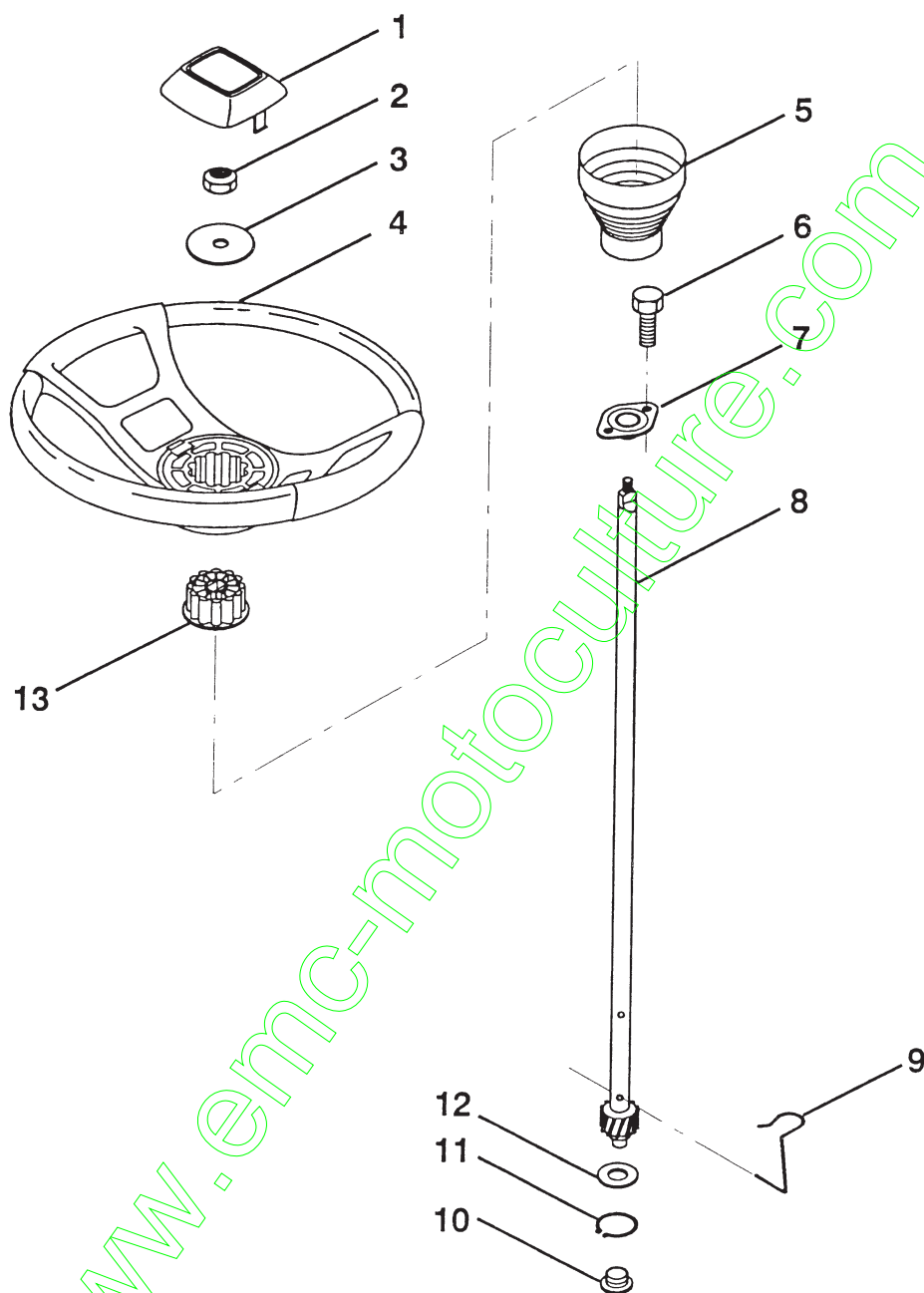
KEY NO.	PART NO.	DESCRIPTION
1	817720408	Screw, Hex Thd. Cut 1/4-20 x 1/2
2	532133025	Control, Throttle
3	-----	Engine, Briggs and Stratton Model No. 283707
4	871070512	Screw, Hex, Cap 5/16-18 x 3/4
5	810040500	Washer, Lock Heavy Helical Spring 5/16
6	532125593	Gasket, Exhaust
8	532121094	Bolt, Shoulder 5/16
9	819101216	Washer 5/16 x 3/4 x 16
10	810040400	Washer, Lock Heavy Helical Spring 1/4

KEY NO.	PART NO.	DESCRIPTION
11	874780412	Bolt, Hex Fin. 1/4-20 UNC x 3/4
12	532123676	Muffler
13	532101326	Deflector, Muffle
14	817030808	Screw, Spiderlock Hex Hd. 8 x 1/2 ABTPS
15	532121851	Arrester, Spark (Optional equipment)
16	811050600	Lock, Washer E: t. Tooth 3/8
17	817490624	Screw, Hex Wsh: Hd Thdrol 3/8-16 x 1-1/2
18	532126636	Keeper, Ground Drive Belt
19	532133097	Stop, Throttle

HARDWARE SHOWN LARGER FOR EASIER IDENTIFICATION

ILLUSTRATED PARTS BREAKDOWN

STEERING WHEEL



KEY NO.	PART NO.	DESCRIPTION
---------	----------	-------------

1	532100710	Insert, Wheel, Steering
2	532124701	Nut, Lock 3/8-24 UNF
3	819133808	Washer 12/32 x 2-3/8 x 8 Ga.
4	532100713	Wheel, Steering
5	532121897	Sleeve, Steering
6	817431008	Screw, Hex #10-16 x 1/2 TY-B
7	532102803	Bushing, Steering

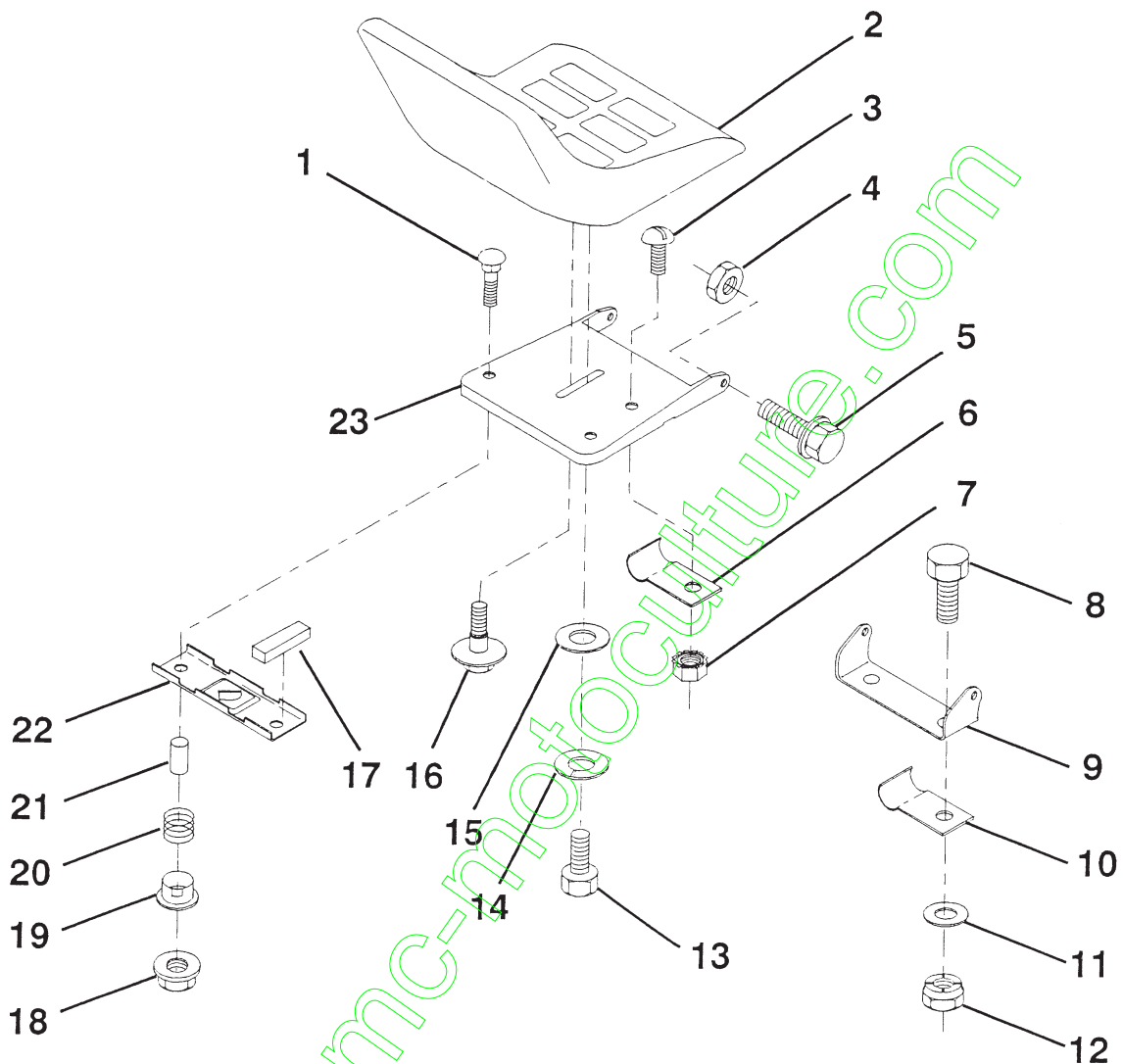
KEY NO.	PART NO.	DESCRIPTION
---------	----------	-------------

8	532123651	Shaft, Steering
9	532124210	Clip, Steering
10	532123438	Bushing, Lower, Steering
11	812000045	Ring, Retaining
12	819211616	Washer 21/32 x 1 x 16 Ga.
13	532104820	Adaptor, Wheel, Steering

HARDWARE SHOWN LARGER FOR EASIER IDENTIFICATION

ILLUSTRATED PARTS BREAKDOWN

SEAT

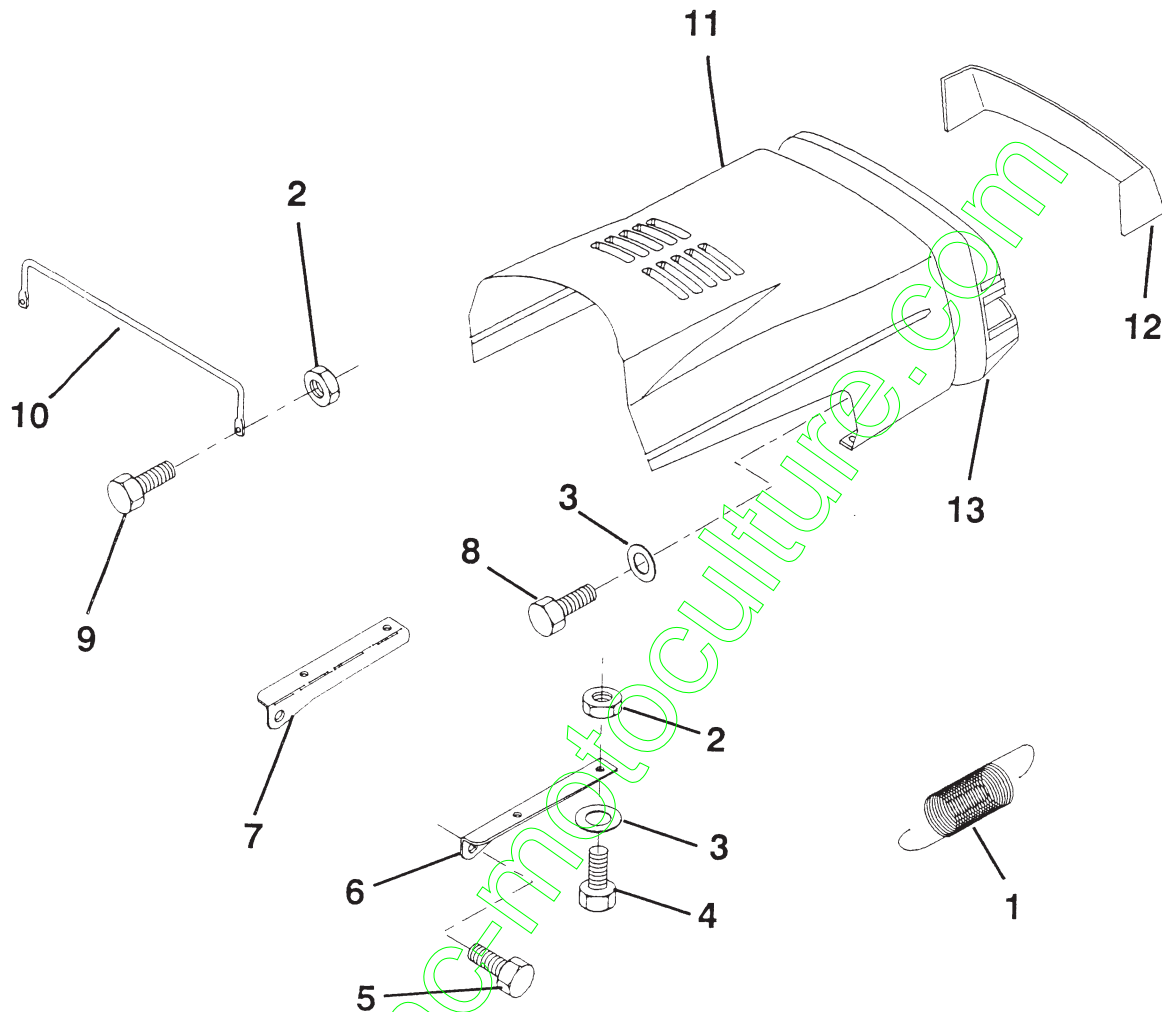


KEY NO.	PART NO.	DESCRIPTION	KEY NO.	PART NO.	DESCRIPTION
1	872050411	Bolt, Carriage 1/4-20 x 1-3/8	13	874780814	Bolt, Fin Hex 1/2-13 UNC x 7/8 Gr. 5
2	532127423	Seat	14	810040800	Washer, Lock Hvy Helical Spring
3	874641008	Screw, Slotted Pan Head #10-32 x 1/2	15	819171912	Washer, 17/32 x 1-3/16 x 12 Ga.
4	873680500	Nut, Crownlock 5/16-18	16	532127018	Bolt, Shoulder
5	532105529	Bolt, Shoulder 5/16-18 UNC	17	532121251	Strip, Foam
6	532124967	Clip, Insulated	18	532123976	Nut, Hex Large Flange Lock
7	873951000	Nut, Keps #10-32 UNF	19	532121248	Bushing, Snap
8	874760612	Bolt, Fin Hex 3/8-16 UNC x 3/4	20	532121250	Spring, Compression
9	532126471	Clip, Insulated	21	532121249	Spacer, Split 28 Id. x .88 Lg.
10	532126656	Bracket, Pivot Seat	22	532121246	Bracket, Switch, Mounting
11	819133210	Washer 12/32 x 3/4 x 10 Ga.	23	532124294	Pan, Seat
12	873680600	Nut, Crownlock 3/8-16 UNC			

HARDWARE SHOWN LARGER FOR EASIER IDENTIFICATION

ILLUSTRATED PARTS BREAKDOWN

HOOD



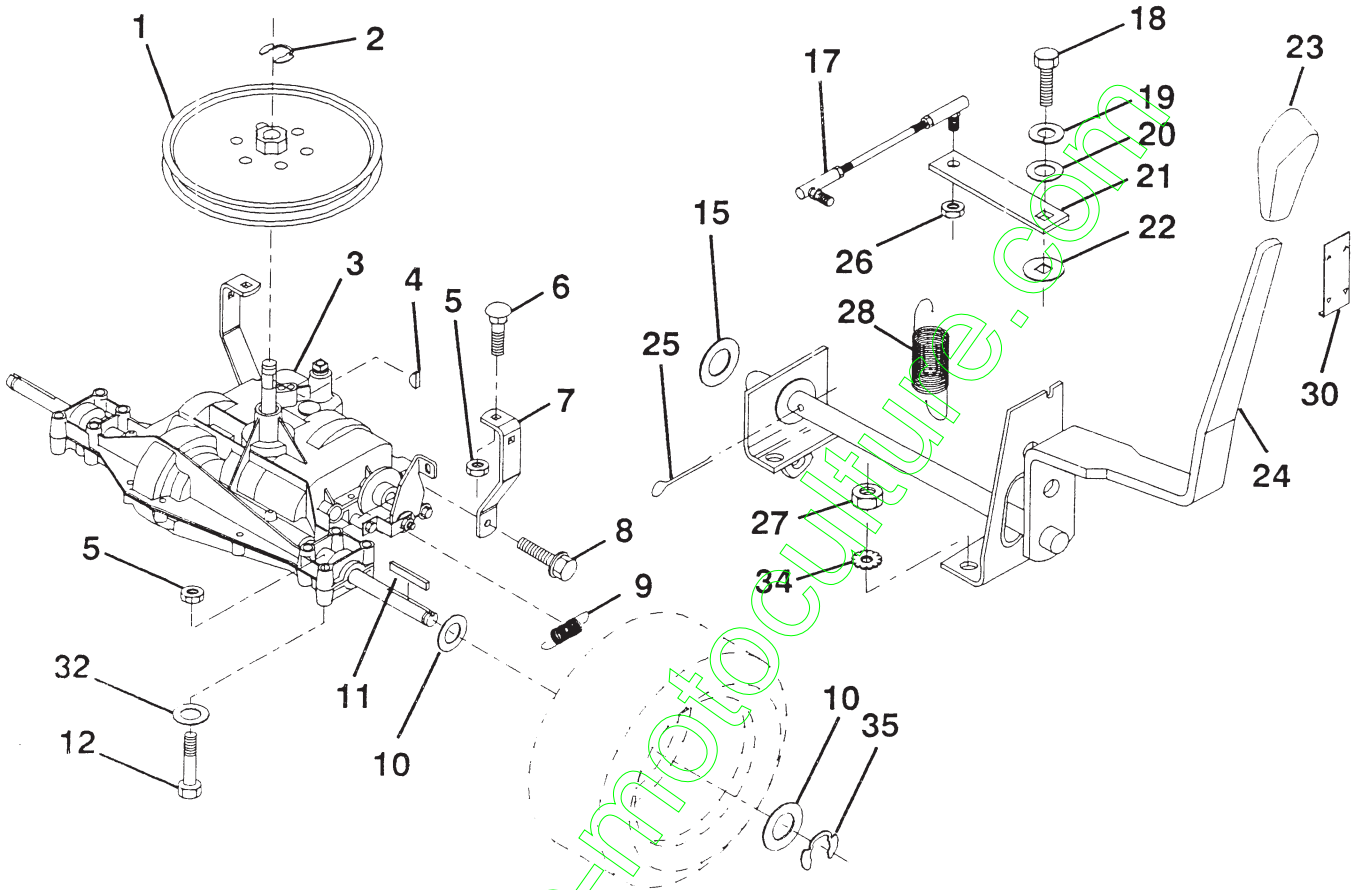
KEY NO.	PART NO.	DESCRIPTION
1	532124657	Extension, Spring
2	873510400	Nut, Hex, Keps 1/4-20
3	819091016	Washer, 9/32 x 5/8 x 16 Ga.
4	874780410	Bolt, Hex Fin. 1/4-20 UNC 5/8 Gr.5
5	532126675	Bolt, Shoulder
6	532122549	Bracket, Hood R. H.

KEY NO.	PART NO.	DESCRIPTION
7	532122548	Bracket, Hood L.H.
8	817411310	Screw, Fin. Hex #13-16 Hi-Lo x 5/3
9	874780412	Bolt, Hex Fin. 1/4-20 x 3/4 Gr. 5
10	532123693	Brace, Hood
11	532124816	Hood
12	532127659	Lens, Plate, Grill
13	532125747	Grill

HARDWARE SHOWN LARGER FOR EASIER IDENTIFICATION

ILLUSTRATED PARTS BREAKDOWN

TRANSAXLE

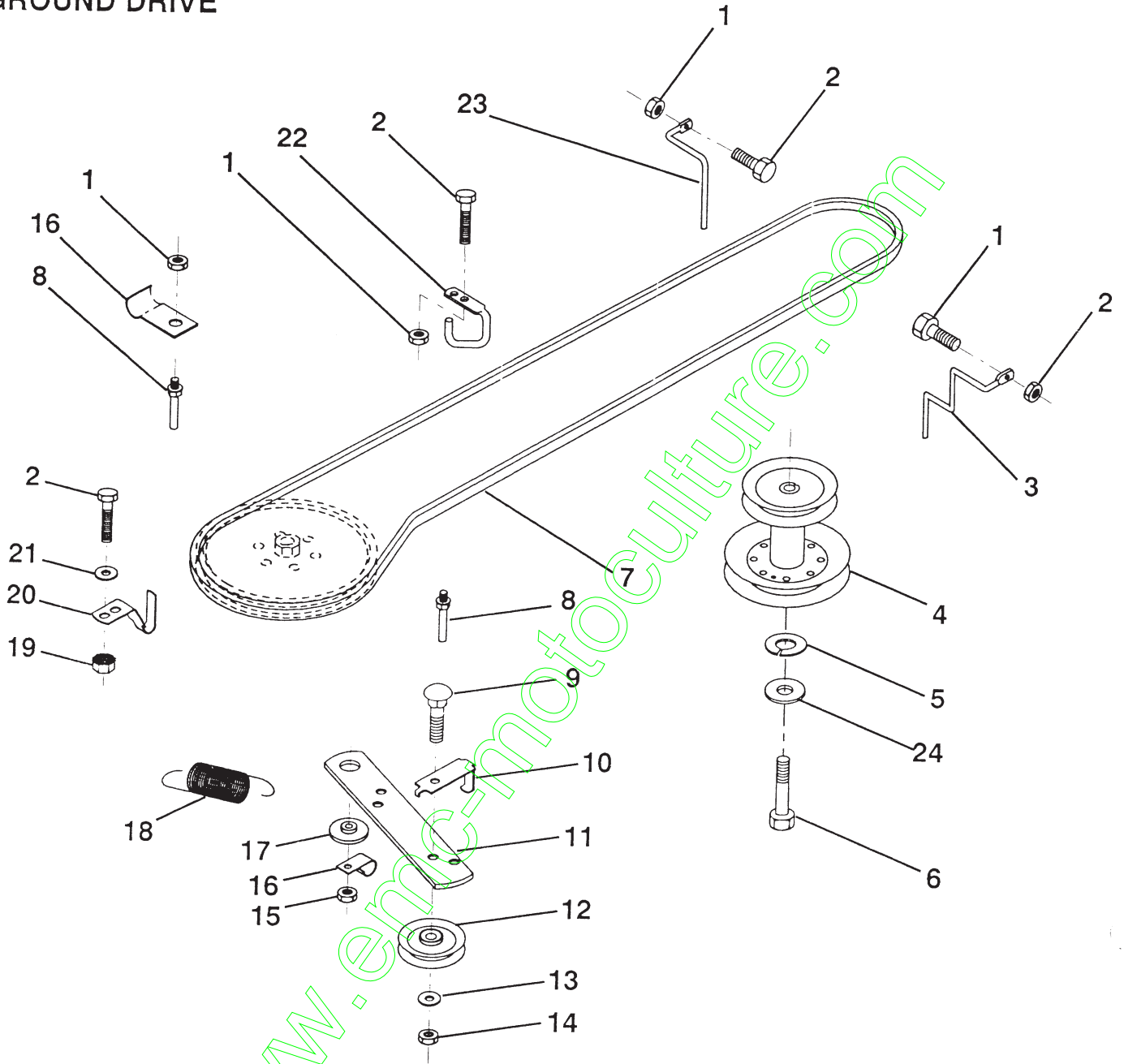


KEY NO.	PART NO.	DESCRIPTION	KEY NO.	PART NO.	DESCRIPTION
1	532123385	Pulley	19	810040400	1/4-28 UNF x 3/4 Gr. 8
2	812000028	Ring, Retainer	20	819091210	Washer, Lock 1/4
3	532127054	Transaxle, Peerless 5-Speed Model # 143.930-028	21	532126292	Washer 9/32 x 3/4 x 10 Ga.
4	532125096	Key, Woodruff #9	22	532105701	Arm, Shift
5	873680500	Nut, Crownlock 5/16-18	23	532122011	Washer, Shift Plate
6	872140506	Bolt, Carriage 5/16-18 UNC x 3/4	24	532128202	Knob, Golf Club
7	532123378	Strap, Torque	25	876020416	Shift Rod
8	817490508	Screw, Hex Thdrol 5/16-18 x 1/2	26	873810500	Pin, Cotter 1/8 x 1
9	532110422	Spring, Brake	27	873510500	Nut, Hex Nylon
10	532121749	Washer 25/32 x 1-1/4 x 16 Ga.	28	532128085	Nut, Keps 5/16- 8
11	532123583	Key, Square	30	532123692	Extension, Spring
12	874760540	Bracket, Transaxle	32	532123692	Knob, Retainer
13	817490512	Screw 5/16-18 x 3/4	34	819111116	Washer 11/32 x 11/16 x 16 Ga.
14	819171616	Washer 17/32 x 1 x 16 Ga.	35	811050500	Washer, Ext. Tooth, Lock 5/16
15	532126293	Link, Shift	36	532121748	Washer
17	871040412	Bolt, Fin Hex		812000001	E-Ring

HARDWARE SHOWN LARGER FOR EASIER IDENTIFICATION

ILLUSTRATED PARTS BREAKDOWN

GROUND DRIVE



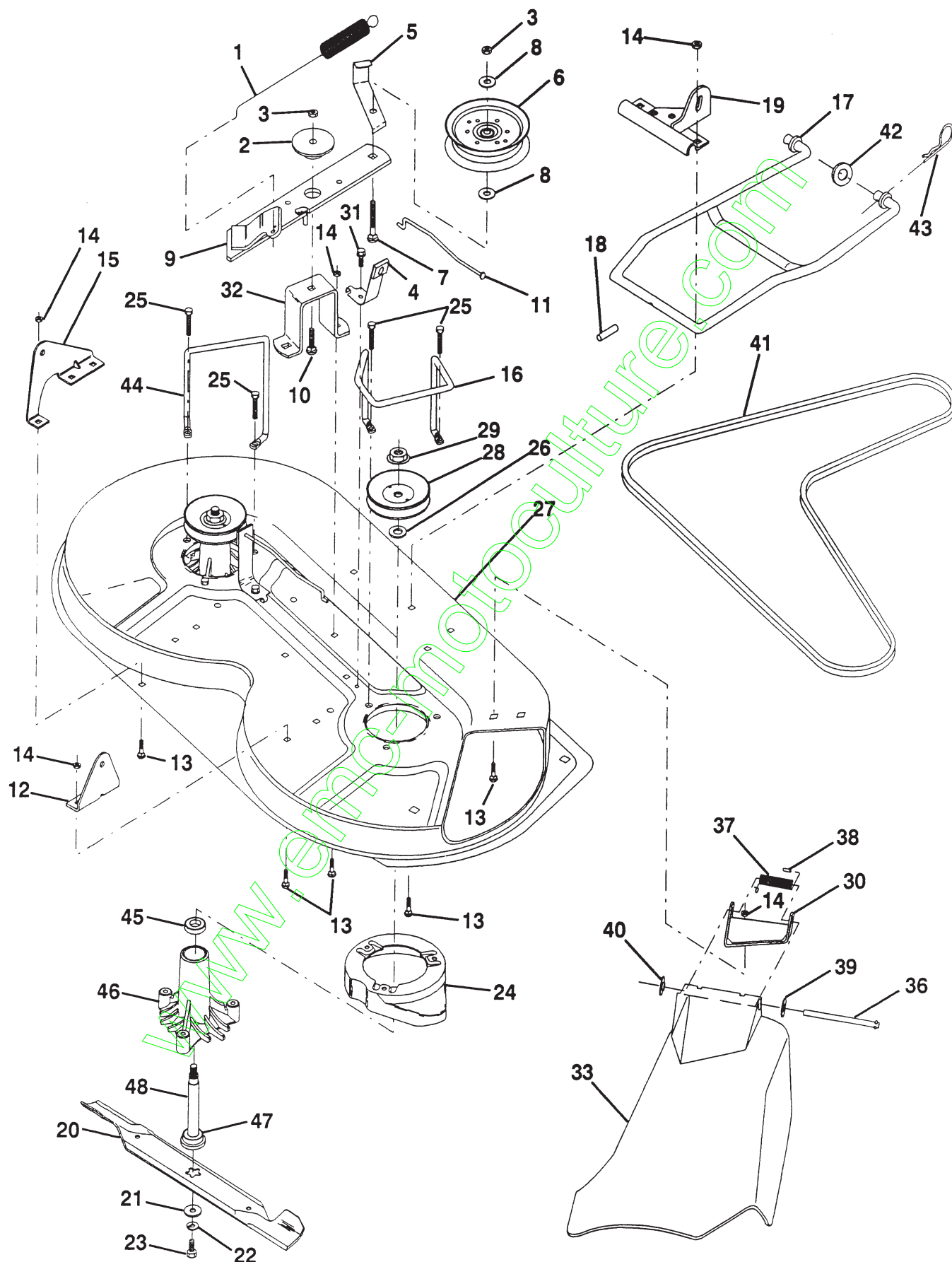
KEY NO.	PART NO.	DESCRIPTION	KEY NO.	PART NO.	DESCRIPTION
1	873680500	Nut, Crownlock 5/16-18	13	819131316	Washer 13/32 x 13/16 x 16 Ga.
2	874760512	Bolt, Hex Hd 5/16-18 UNC x 3/4	14	873930600	Nut, Centerlock 3/8-16 UNC
3	532131205	Keeper, Mower Drive, R. H.	15	873680600	Nut, Crownlock 3/8-16 UNC
4	532131004	Pulley, Engine	16	532126471	Clip, Insulated
5	810040700	Washer, Lock 7/16	17	532122052	Spacer, Retainer
6	871170744	Bolt Hex 7/16-20 Gr. 5	18	532131459	Spring Extension
7	532126520	Traction, V-Belt Drive	19	873510500	Nut, Keps 5/16-18 UNC
8	532123405	Keeper, T/A Ground Drive Belt	20	532123891	Keeper, T/A Ground Drive Belt
9	872140612	Bolt, Carr. 3/8-16 UNC x 1-1/2	21	819111016	Washer 11/32 x 5/8 x 16 Ga.
10	532123390	Keeper, Belt Ground Drive Idler	22	532123404	Keeper, Frame Ground Drive Belt
11	532123395	Arm, Ground Drive Clutch	23	532131204	Keeper, Mower Drive, L. H.
12	532004850	Idler, Flat	24	532126197	Washer 1 - 1/2 OD X 15/32 ID x 250

HARDWARE SHOWN LARGER FOR EASIER IDENTIFICATION

BL12360

ILLUSTRATED PARTS BREAKDOWN

MOWER DECK



ILLUSTRATED PARTS BREAKDOWN

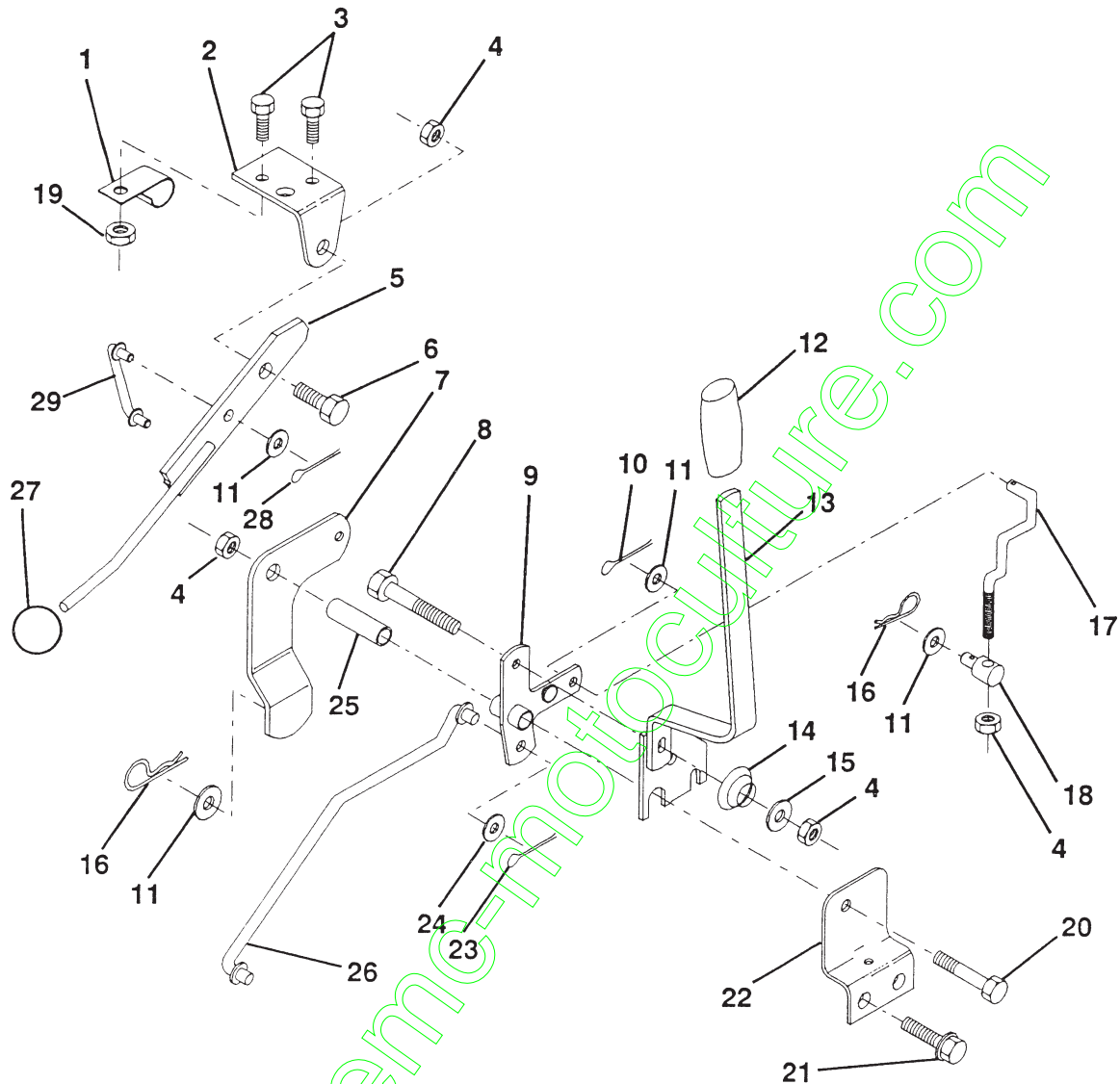
MOWER DECK

KEY NO.	PART NO.	DESCRIPTION	KEY NO.	PART NO.	DESCRIPTION
1	532127743	Spring, Mower Clutch	25	532078158	Bolt 5/16-18 x 1-1/4
2	532122052	Spacer, Retainer	26	532129963	Washer .150 Thk.
3	873680600	Nut, Crownlock	27	532129983	Housing Assembly
4	532130840	Brake Asm.	28	532129207	Pulley, Mandrell
5	532131251	Guide, Belt Idler	29	873050900	Nut, Flangelock 9/16
6	532121316	Pulley, Flat Idler	30	532126361	Bracket, Asm. Deflector
7	872110616	Bolt, Carr. 3/8-16 x 2 Gr. 5	31	817490508	Screw, Hex Wsh. Thdrol. 5/16-18 x 1/2
8	819131410	Washer 13/21 x 7/8 x 10 Ga.	32	532122051	Arm, Support Idler Mower
9	532127744	Arm Asm., Idler Mower	33	532131560	Deflector
10	872110608	Bolt, Carriage 3/8-16 x 1	36	532121980	Rod, Hinge
11	532130841	Rod, Brake	37	532123713	Spring, Torsion Deflector
	532127356	Bracket, Lift R. H. Rear	38	532105304	Cap, Sleeve
13	872140505	Bolt, Carriage 5/16-18 x 5/8	39	819111016	Washer 11/32 x 5/8 x 16 Ga.
14	873680500	Nut, Crownlock 5/16-18	40	532110452	Pushnut
15	532127357	Bracket, Lift L. H. Rear	41	532131264	V-Belt
16	532130837	Keeper, R. H.	42	819171616	Washer 11/32 x 5/8 16 Ga.
17	532128508	Link, Asm. Mower Stabilizer	43	532124660	Retainer, Spring
18	532128511	Pin, Drive	44	532130836	Keeper, L. H.
19	532127380	Bracket, Asm. Front	45	532110485	Bearing
20	532127841	Blade	46	532128774	Housing, Mandrel, Vented
21	532129962	Washer, Hard	47	532129895	Bearing
22	810030600	Washer, Lock 3/8	48	532128285	Shaft, Mandrel (Includes key #47)
23	532850857	Bolt 3/8-24 x 1-1/4 Gr. 8	--	532136316	Deck, Complete, Service
24	532128961	Stripper	--	532130794	Mandrel Assembly, (Includes key nos. 45-48, 21-23, 26 and 29)

HARDWARE SHOWN LARGER FOR EASIER IDENTIFICATION

ILLUSTRATED PARTS BREAKDOWN

MOWER LIFT LEVER



KEY NO.	PART NO.	DESCRIPTION
1	532126470	Clip, Insulated
2	532122018	Bracket, Mower Clutch
3	874780408	Bolt, Fin. Hex 1/4-20 UNC x 1/2 Gr. 5
4	873680600	Nut, Crownlock 3/8-16 UNC
5	532123417	Assembly, Clutch Lever
6	532106451	Bolt, Shoulder
7	532123491	Assembly, Mower Clutch Arm
8	874760636	Bolt, Hex 3/8-16 UNC x 2-1/4
9	532121930	Assembly, Bracket Lift
10	876020412	Pin, Cotter 1/8 x 3/4
11	819131316	Washer 13/32 x 13/16 x 16 Ga.
12	532122027	Grip, Handle
13	532127028	Assembly, Lift Handle
14	532123496	Spring, Compression
15	819131212	Washer 13/32 x 3/4 x 12 Ga.

KEY NO.	PART NO.	DESCRIPTION
16	532124961	Retainer, Spring
17	532127359	Link, Front Lift
18	532133205	Trunnion, Adj. 3/8-16 unc x 1.30
19	873680400	Nut, Crownlock 1/4-20
20	874760644	Bolt, Fin. Hex 3/8-16 UNC x 2-3/4
21	817490508	Screw, Hex Thdrcl. 5/16-18 x 1/2
22	532121929	Bracket, Mower Height
23	876020416	Pin, Cotter 1/8 x 1
24	819171616	Washer 17/32 x 1 x 16 Ga.
25	532121933	Tube, Spacer
26	532121934	Rod, Mower Lift
27	532121466	Knob
28	876020312	Pin, Cotter 3/32 x 3/4
29	532123671	Link, Mower Clutch

HARDWARE SHOWN LARGER FOR EASIER IDENTIFICATION