

CATALOGUE PIECES DE RECHANGE

BERNARD **Loisirs**

TRACTEUR DE PELOUSE

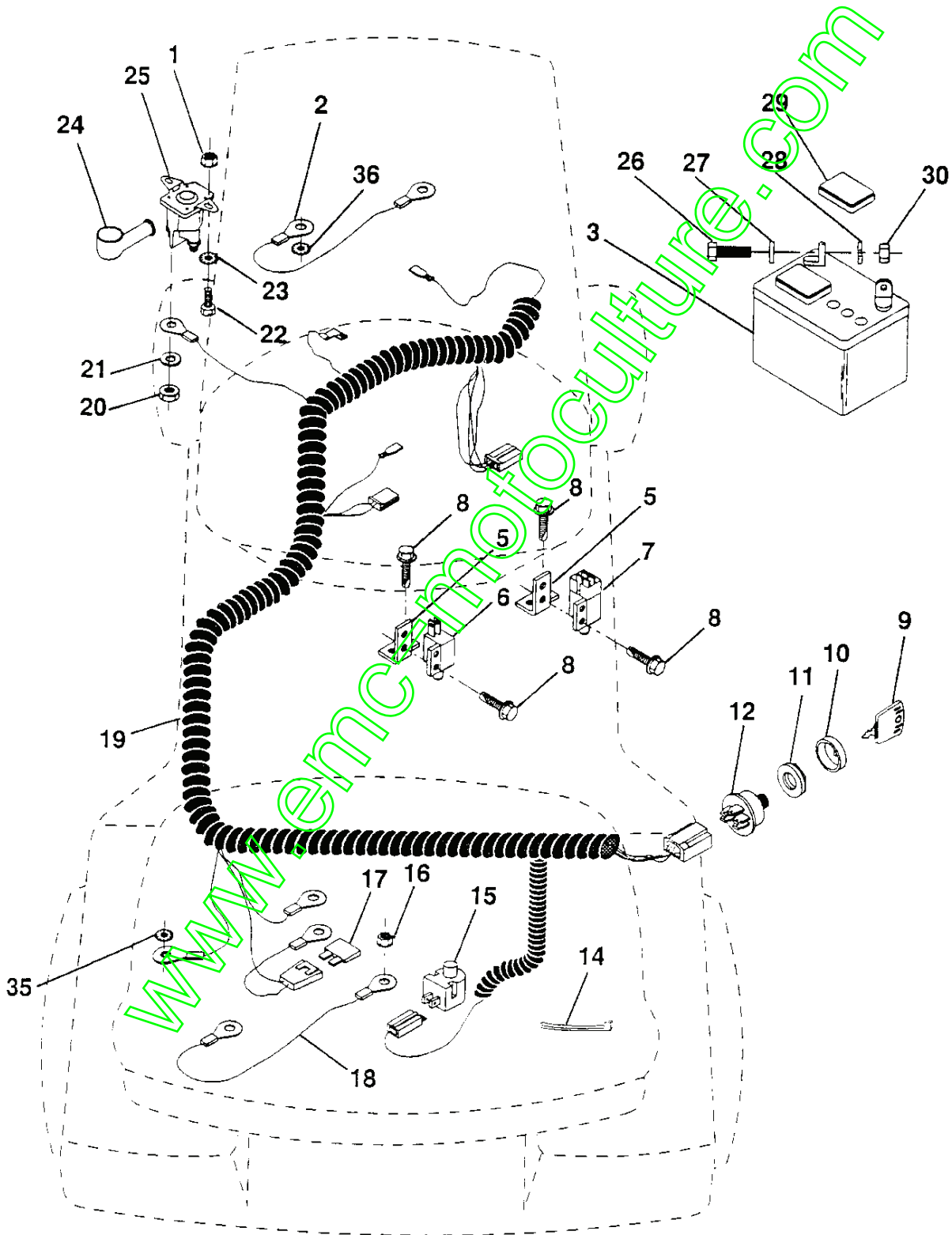
MODELE : BL 1236 SP

N° DE PRODUIT : 9540023-81

REPAIR PARTS

12 HP 36" TRACTOR - - MODEL NUMBER BL12T36B

ELECTRICAL



REPAIR PARTS**12 HP 36" TRACTOR - - MODEL NUMBER BL12T36B****ELECTRICAL**

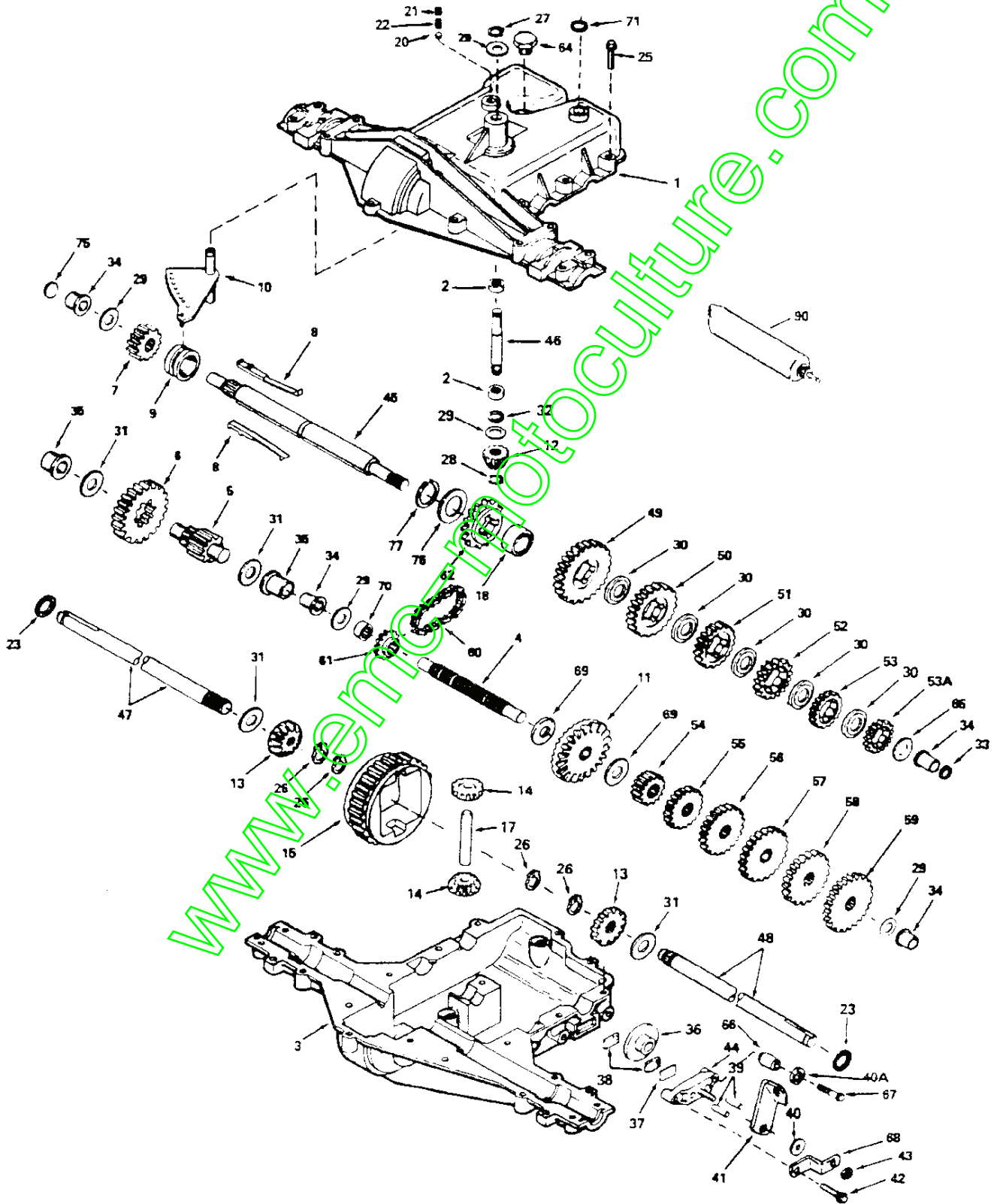
| KEY NO. | PART NO. | DESCRIPTION | KEY NO. | PART NO. | DESCRIPTION |
|---------|-----------|----------------------|---------|-----------|---|
| 1 | 873510400 | Nut, Hex Keps 1/4-20 | 19 | 532132223 | Harness, Ignition |
| 2 | 532108423 | Assembly, Cable | 20 | 873350400 | Nut, Hex Jam 1/4-20 |
| 3 | 532133909 | Battery | 21 | 810090400 | Washer, Lock 1/4 |
| 5 | 532108236 | Bracket, Switch | 22 | 874780408 | Bolt, Fin Hex 1/4-20 UNC x 1/2 Gr. 5 |
| 6 | 532104445 | Switch, Interlock | 23 | 811050400 | Washer, Lock Ext. Tooth 1/4 |
| 7 | 532109553 | Switch, Interlock | 24 | 532131563 | Cover, Terminal |
| 8 | 817021008 | Screw, Tap Hex Hd. | 25 | 532138406 | Solenoid |
| 9 | 532122147 | Key, Molded | 26 | 874760412 | Bolt, Hex Hd. 1/4-20 UNC x 3/4 |
| 10 | 532123620 | Cover, Key Ignition | 27 | 819091016 | Washer 9/32 x 5/8 x 16 |
| 11 | 532124211 | Nut, Ignition | 28 | 810040400 | Washer, Lock 1/4 |
| 12 | 532125104 | Switch, Ignition | 29 | 532101264 | Cap, Battery |
| 14 | 532124756 | Tie, Cable | 30 | 873220400 | Nut, Fin Hex 1/4-20 UNC |
| 15 | 532121305 | Switch, Plunger | 34 | 873510600 | Bolt, Hex 3/8-16 |
| 16 | 873510500 | Nut, Keps 5/16-18 | 35 | 811050600 | Washer, Lock, Ext. Tooth 3/8 |
| 17 | 532108824 | Fuse | 36 | 811030400 | Washer Lock 1/4 Ext. |
| 18 | 532128353 | Assembly, Cable | | | |

HARDWARE SHOWN LARGER FOR EASIER IDENTIFICATION

REPAIR PARTS

12 HP 36" TRACTOR - - MODEL NUMBER BL12T36B

TRANSAXLE PEERLESS - MODEL NUMBER 930-028



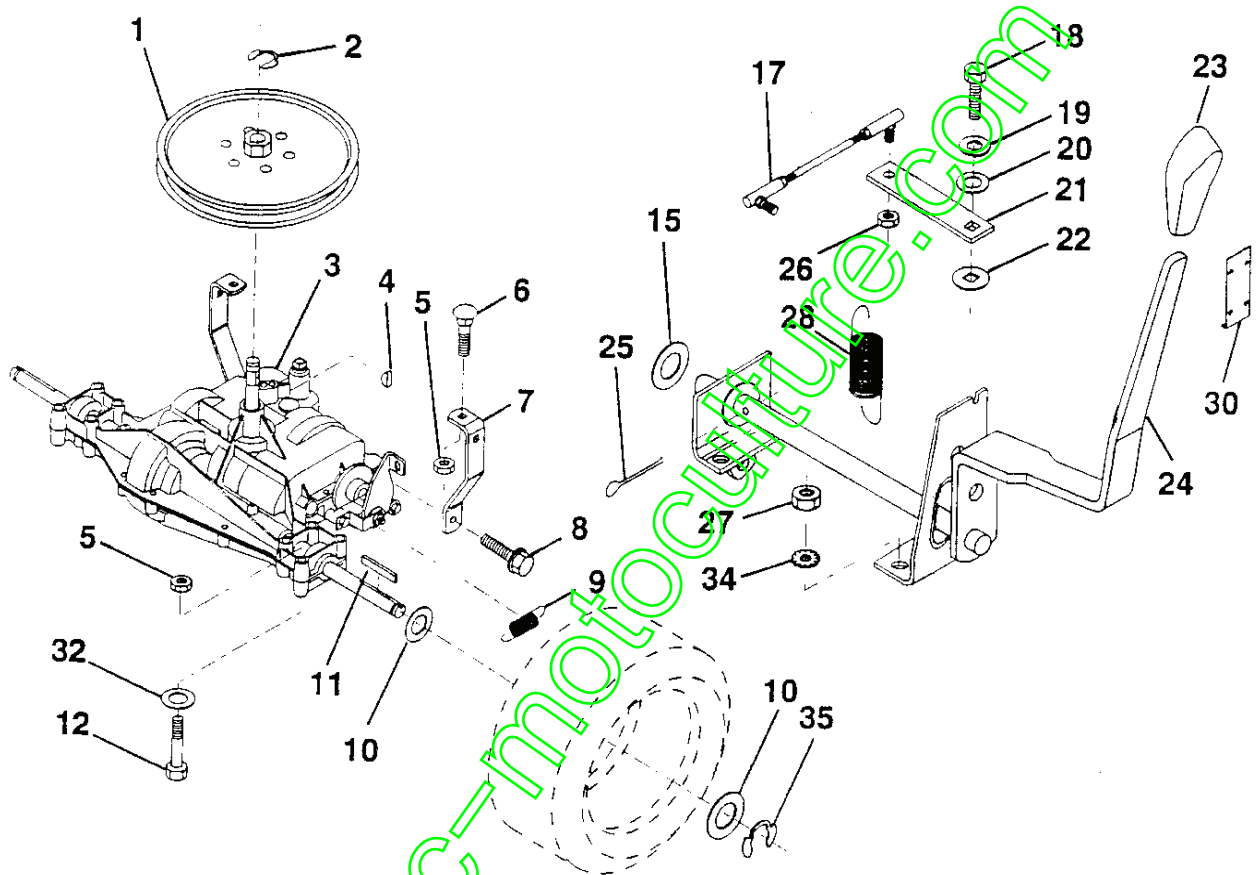
REPAIR PARTS**12 HP 36" TRACTOR - - MODEL NUMBER BL12T36B****TRANSAXLE PEERLESS - MODEL NUMBER 930-028**

| REF PART NO. NO. | DESCRIPTION | REF PART NO. NO. | DESCRIPTION | | |
|------------------|-------------|--|-------------|---------|--|
| 1 | 772108 | Cover, Transaxle | | | |
| 2 | 780086 | Bearing, Needle | 42 | 792073 | Screw, Flanged Hex Head, Thread Forming 1/4-20 x 1-1/4 |
| 3 | 770102 | Case, Transaxle | 43 | 792075 | Locknut 5/16-24 |
| 4 | 776260 | Shaft, Counter | 44 | 790025 | Holder, Brake Pad |
| 5 | 776219 | Shaft and Pinion Assembly, Output | 45 | 776315A | Shaft, Brake, 4-Keyed |
| 6 | 778139 | Gear, Output | 46 | 776135 | Shaft, Input |
| 7 | 778136 | Gear, Spur 15 Teeth | 47 | 774883 | Axle, 10-5/8" long |
| 8 | 792136 | Key | 48 | 774884 | Axle, 15-1/4" long |
| 9 | 784352 | Collar, Shifter | 49 | 778191 | Gear, Spur 37 Teeth |
| 10 | 784355 | Rod and Fork Assembly, Shift | 50 | 778125 | Gear, Spur 35 Teeth |
| 11 | 778229 | Gear, Bevel 42 Teeth | 51 | 778124A | Gear, Spur 30 Teeth |
| 12 | 778113A | Bevel Pinion, Input | 52 | 778123A | Gear, Spur 25 Teeth |
| 13 | 778221 | Gear, Bevel | 53 | 778122A | Gear, Spur 22 Teeth |
| 14 | 778068 | Gear, Bevel Pinion | 53A | 778209 | Gear, Spur 19 Teeth |
| 15 | 778260 | Gear, Ring | 54 | 778230 | Gear, Spur 12 Teeth |
| 17 | 786139 | Pin, Drive | 55 | 778151 | Gear, Spur 15 Teeth |
| 18 | 786102 | Spacer, Neutral | 56 | 778126A | Gear, Spur 20 Teeth |
| 20 | 792077 | Ball, Steel 5/16" diameter | 57 | 778127A | Gear, Spur 25 Teeth |
| 21 | 792078 | Set Screw 3/8-16 x 3/8 | 58 | 778128A | Gear, Spur 28 Teeth |
| 22 | 792079 | Spring | 59 | 778163 | Gear, Spur 31 Teeth |
| 23 | 788061 | Ring, Felt | 60 | 786081 | Chain, Roller (Number 41 Chain, 24 Links) |
| 25 | 792073 | Screw, Flanged Hex Head, Thread Forming 1/4-20 x 1-1/4 | 61 | 786082 | Sprocket 9 Teeth |
| 26 | 792125 | Ring, Retainer (4 required, package of 2) | 62 | 786123 | Sprocket 18 Teeth |
| 27 | 792035 | Ring, Retainer | 64 | 792074 | Plug, Hex Head 9/16-18 Thread |
| 28 | 788040 | Ring, Retainer | 65 | 780109 | Washer, Thrust |
| 29 | 780072 | Washer, Thrust | 66 | 786067 | Spacer |
| 30 | 780108 | Washer, Thrust | 67 | 792085 | Screw, Flanged Hex Head, Thread Forming 1/4-20 x 2-1/4 |
| 31 | 780001 | Washer | 68 | 786086 | Bracket, Brake Lever |
| 32 | 792001 | "O" Ring | 69 | 780051 | Washer, Thrust |
| 33 | 788051 | Seal, Square Cut | 70 | 786118 | Spacer |
| 34 | 780105A | Bushing, Flanged | 71 | 788069 | Seal, Square Cut |
| 35 | 780118A | Bushing, Flanged | 75 | 786116 | Disk |
| 36 | 790003 | Disk, Brake | 76 | 780090 | Washer, Thrust |
| 37 | 790007 | Plate, Brake Pad | 77 | 788075 | Ring, Retaining |
| 38 | 790006 | Pad, Brake | 90 | 788067B | Grease, Bentonite (32 Oz. Bottle) |
| 39 | 786026 | Pin, Dowel | | | |
| 40 | 792076 | Washer, Flat | | | |
| 40A | 792128 | Washer, Flat | | | |
| 41 | 790047 | Lever, Brake | | | |

NOTE: All component dimensions given in U.S. inches
1 inch = 25.4 mm

Parts must be ordered from Tecumseh Products Co.

HARDWARE SHOWN LARGER FOR EASIER IDENTIFICATION

REPAIR PARTS**12 HP 36" TRACTOR - - MODEL NUMBER BL12T36B****TRANSAXLE**

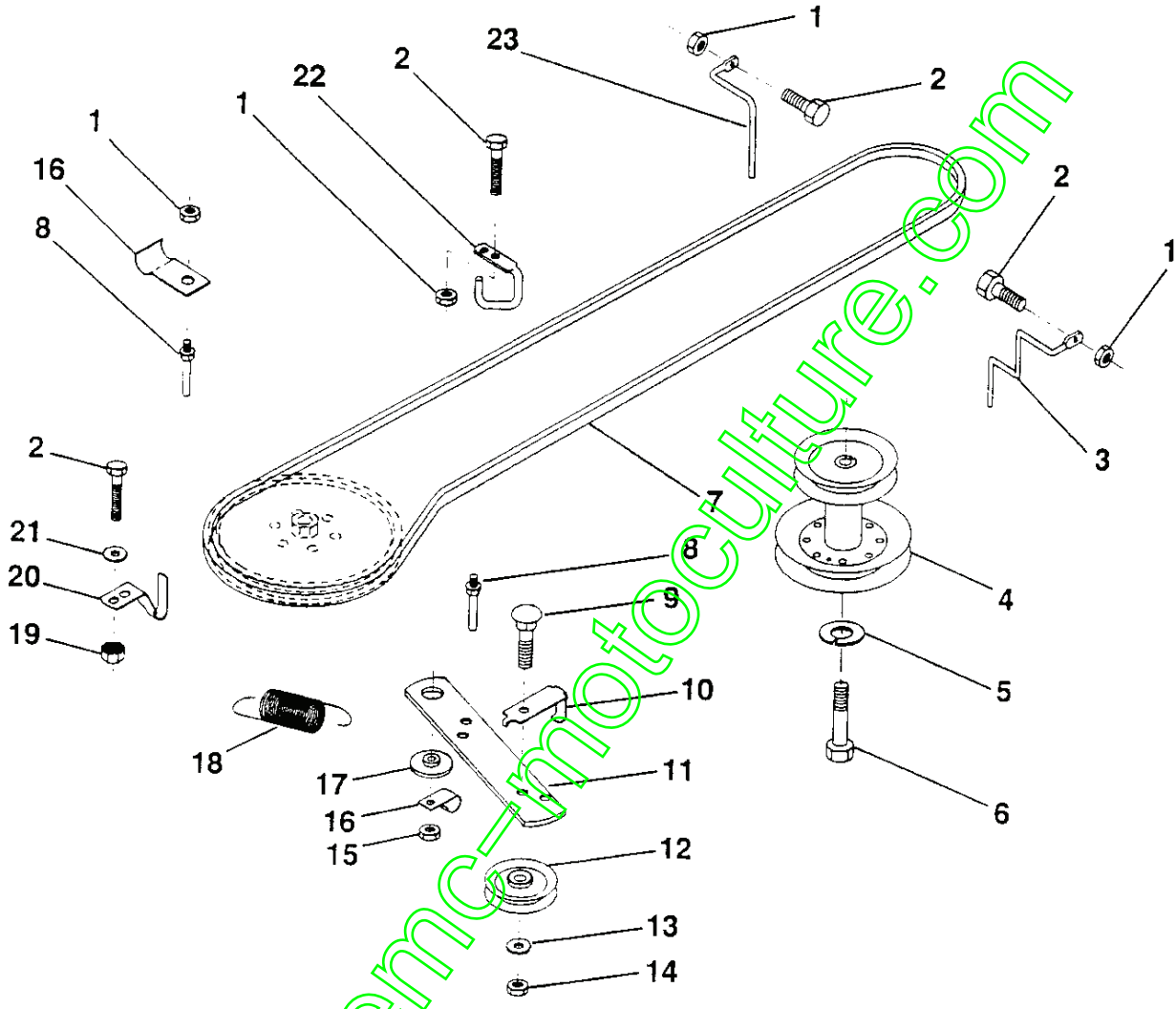
| KEY NO. | PART NO. | DESCRIPTION | KEY NO. | PART NO. | DESCRIPTION |
|---------|-----------|--------------------------------------|---------|-----------|-------------------------------|
| 1 | 532123385 | Pulley | 19 | 810040400 | Washer, Lock 1/4 |
| 2 | 812000028 | Ring, Retainer | 20 | 819091210 | Washer 9/32 x 3/4 x 10 Ga. |
| 3 | 532127054 | Transaxle 6 Sp. Peerless 930 | 21 | 532126292 | Arm, Shift |
| 4 | 532125096 | Key, Woodruff #9 | 22 | 532105701 | Washer, Shift Plate |
| 5 | 873680500 | Nut, Crownlock 5/16-18 | 23 | 532122011 | Knob, Golf Club |
| 6 | 872140506 | Bolt, Carriage 5/16-18 UNC x 3/4 | 24 | 532128202 | Handle Asm. Shift |
| 7 | 532123378 | Strap, Torque | 25 | 876020416 | Pin, Cotter 1/8 x 1 |
| 8 | 817490512 | Screw 5/16-18 x 3/4 | 26 | 873810500 | Nut, Hex Nylon |
| 9 | 532110422 | Spring, Brake | 27 | 873510500 | Nut, Keps 5/16-18 |
| 10 | 532121749 | Washer 25/32 x 1-1/4 x 16 Ga. | 28 | 532128085 | Extension, Spring |
| 11 | 532123583 | Key, Square | 30 | 532123692 | Knob, Retainer |
| 12 | 874760540 | Bolt, Fin Hex 5/16-18 x 2-1/2 | 32 | 819111116 | Washer 11/32 x 11/16 x 16 Ga. |
| 17 | 532126293 | Link, Shift | 34 | 811050500 | Washer, External Tooth 5/16 |
| 18 | 871040412 | Bolt, Fin Hex 1/4-28 UNF x 3/4 Gr. 8 | 35 | 812000001 | E-Ring |

HARDWARE SHOWN LARGER FOR EASIER IDENTIFICATION

REPAIR PARTS

12 HP 36" TRACTOR - - MODEL NUMBER BL12T36B

GROUND DRIVE



| KEY NO. | PART NO. | DESCRIPTION |
|---------|-----------|---------------------------------|
| 1 | 873680500 | Nut, Crownlock 5/16-18 |
| 2 | 874760512 | Bolt, Hex Hd 5/16-18 UNC x 3/4 |
| 3 | 532131205 | Keeper, Mower Drive, R. H. |
| 4 | 532134828 | Pulley, Engine |
| 5 | 810040700 | Washer, Lock 7/16 |
| 6 | 871170744 | Bolt, Fin. Hex 7/16-20 |
| 7 | 532126520 | Traction, V-Belt Drive |
| 8 | 532123405 | Keeper, T/A Ground Drive Belt |
| 9 | 872140612 | Bolt, Carr. 3/8-16 UNC x 1-1/2 |
| 10 | 532123396 | Keeper, Belt Ground Drive Idler |
| 11 | 532123395 | Arm, Ground Drive Clutch |
| 12 | 532123674 | Idler, Flat |

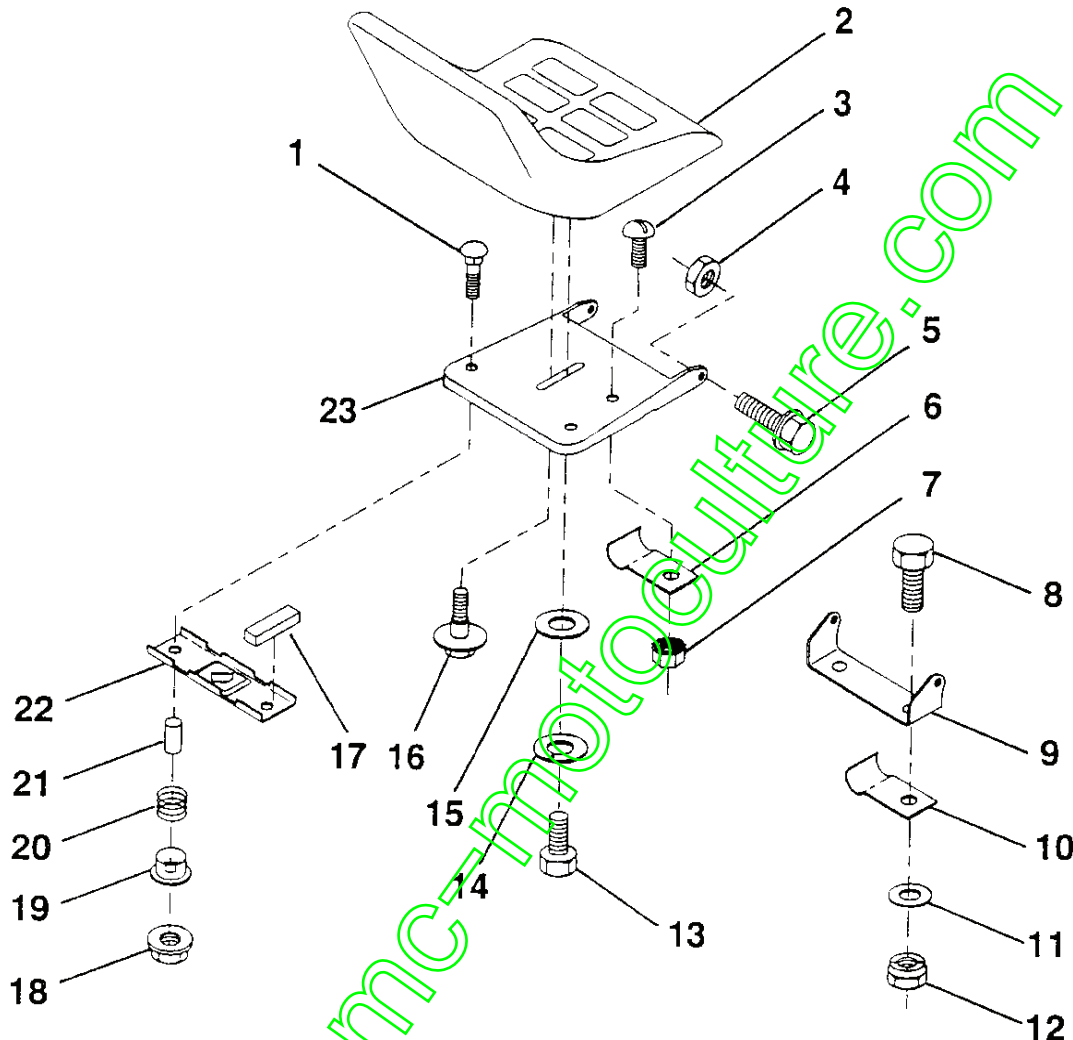
| KEY NO. | PART NO. | DESCRIPTION |
|---------|-----------|---------------------------------|
| 13 | 819131316 | Washer 13/32 x 13/16 x 16 Ga. |
| 14 | 873930600 | Nut, Centerlock 3/8-16 UNC |
| 15 | 873680600 | Nut, Crownlock 3/8-16 UNC |
| 16 | 532126471 | Clip, Insulated |
| 17 | 532122052 | Spacer, Retainer |
| 18 | 532131459 | Spring Extension |
| 19 | 873510500 | Nut, Keps 5/16-18 UNC |
| 20 | 532123891 | Keeper, T/A Ground Drive Belt |
| 21 | 819111016 | Washer 11/32 x 5/8 x 16 Ga. |
| 22 | 532123404 | Keeper, Frame Ground Drive Belt |
| 23 | 532131204 | Keeper, Mower Drive, L. H. |

HARDWARE SHOWN LARGER FOR EASIER IDENTIFICATION

REPAIR PARTS

12 HP 36" TRACTOR - - MODEL NUMBER BL12T36B

SEAT



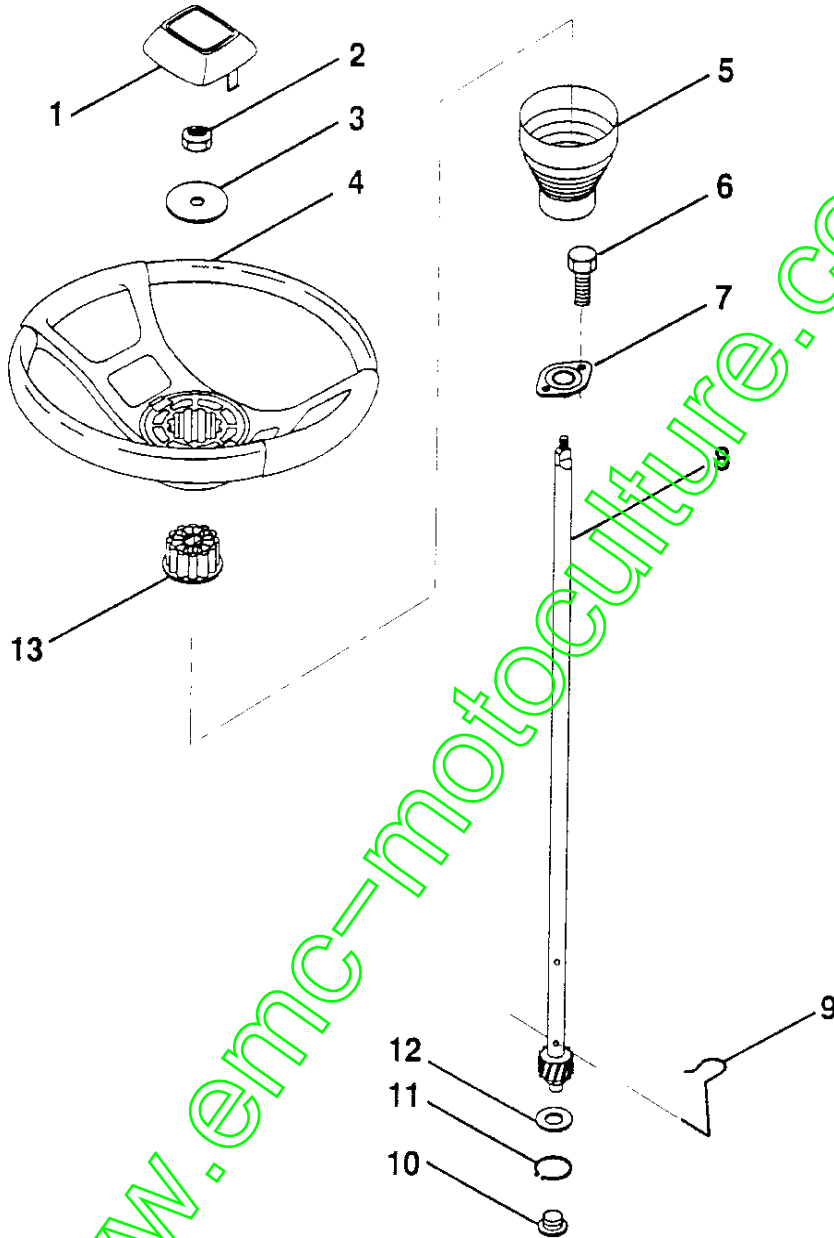
| KEY NO. | PART NO. | DESCRIPTION | KEY NO. | PART NO. | DESCRIPTION |
|---------|-----------|--------------------------------------|---------|-----------|--------------------------------------|
| 1 | 872050411 | Bolt, Carriage 1/4-20 x 1-1/4 | 13 | 874780814 | Bolt, Fin Hex 1/2-13 UNC x 7/8 Gr. 5 |
| 2 | 532127427 | Seat | 14 | 810040800 | Washer, Lock Hvy Helical Spring |
| 3 | 874641008 | Screw, Slotted Pan Head #10-32 x 1/2 | 15 | 819171912 | Washer, 17/32 x 1-3/16 x 12 Ga. |
| 4 | 873680500 | Nut, Crownlock 5/16-18 | 16 | 532127018 | Bolt, Shoulder |
| 5 | 532105529 | Bolt, Shoulder 5/16-18 UNC | 17 | 532121251 | Strip, Foam |
| 6 | 532004171 | Clip, Insulated | 18 | 532123976 | Nut, Hex Large Flange Lock |
| 7 | 873951000 | Nut, Keps #10-32 UNF | 19 | 532121248 | Bushing, Snap |
| 8 | 874760612 | Bolt, Fin Hex 3/8-16 UNC x 3/4 | 20 | 532121250 | Spring, Compression |
| 9 | 532126656 | Bracket, Pivot Seat | 21 | 532121249 | Spacer, Split 28 Id. x .88 Lg. |
| 10 | 532126471 | Clip, Insulated | 22 | 532121246 | Bracket, Switch, Mounting |
| 11 | 819133210 | Washer 12/32 x 2 x 10 Ga. | 23 | 532131451 | Pan, Seat |
| 12 | 873680600 | Nut, Crownlock 3/8-16 UNC | | | |

HARDWARE SHOWN LARGER FOR EASIER IDENTIFICATION

REPAIR PARTS

12 HP 36" TRACTOR - - MODEL NUMBER BL12T36B

STEERING WHEEL



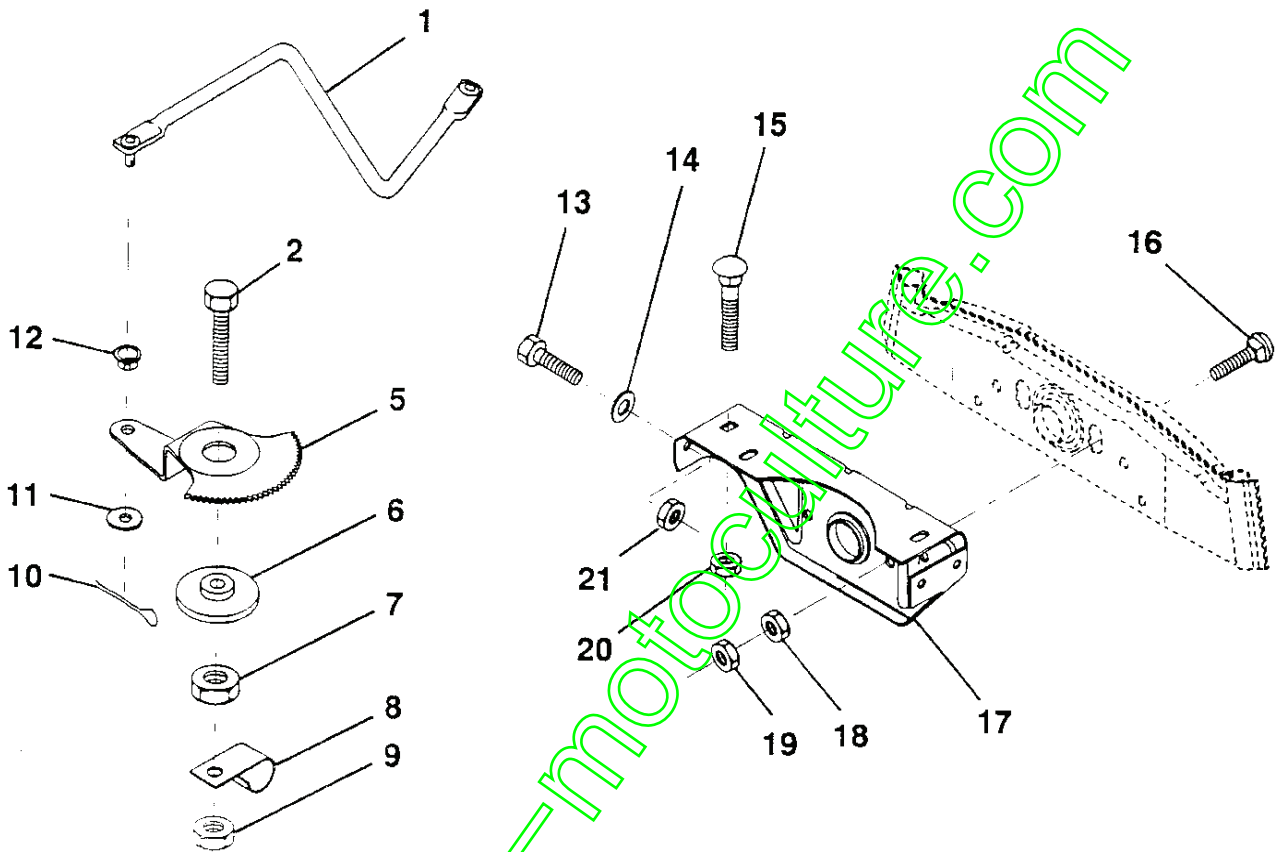
| KEY NO. | PART NO. | DESCRIPTION | KEY NO. | PART NO. | DESCRIPTION |
|---------|-----------|------------------------------|---------|-----------|---------------------------|
| 1 | 532133742 | Insert, Wheel, Steering | 8 | 532123651 | Shaft, Steering |
| 2 | 532124701 | Nut, Lock 3/8-24 UNF | 9 | 532124210 | Clip, Steering |
| 3 | 819133808 | Washer 12/32 x 2-3/8 x 8 Ga. | 10 | 532123438 | Bushing, Lower, Steering |
| 4 | 532133741 | Wheel, Steering | 11 | 812000045 | Ring, Retaining |
| 5 | 532121897 | Sleeve, Steering | 12 | 819211616 | Washer 21/32 x 1 x 16 Ga. |
| 6 | 817431008 | Screw, Hex #10-16 x 1/2 TY-B | 13 | 532104820 | Adaptor, Wheel, Steering |
| 7 | 532102803 | Bushing, Steering | | | |

HARDWARE SHOWN LARGER FOR EASIER IDENTIFICATION

REPAIR PARTS

12 HP 36" TRACTOR - - MODEL NUMBER BL12T36B

SECTOR GEAR / AXLE SUPPORT



| KEY NO. | PART NO. | DESCRIPTION |
|---------|-----------|------------------------------------|
| 1 | 532132566 | Link, Drag |
| 2 | 874780828 | Bolt, Fin Hex 1/2-13 x 1-3/4 |
| 5 | 532121926 | Gear, Sector |
| 6 | 532121927 | Bushing |
| 7 | 873030800 | Nut, Heavy Hex Top Lock 1/2-13 UNC |
| 8 | 532126472 | Clip, Insulated |
| 9 | 873680800 | Nut, Crownlock 3/8-16 |
| 10 | 876020412 | Pin, Cotter 1/8 x 3/4 |
| 11 | 819131316 | Washer, 13/32 x 13/16 x 16 Ga. |

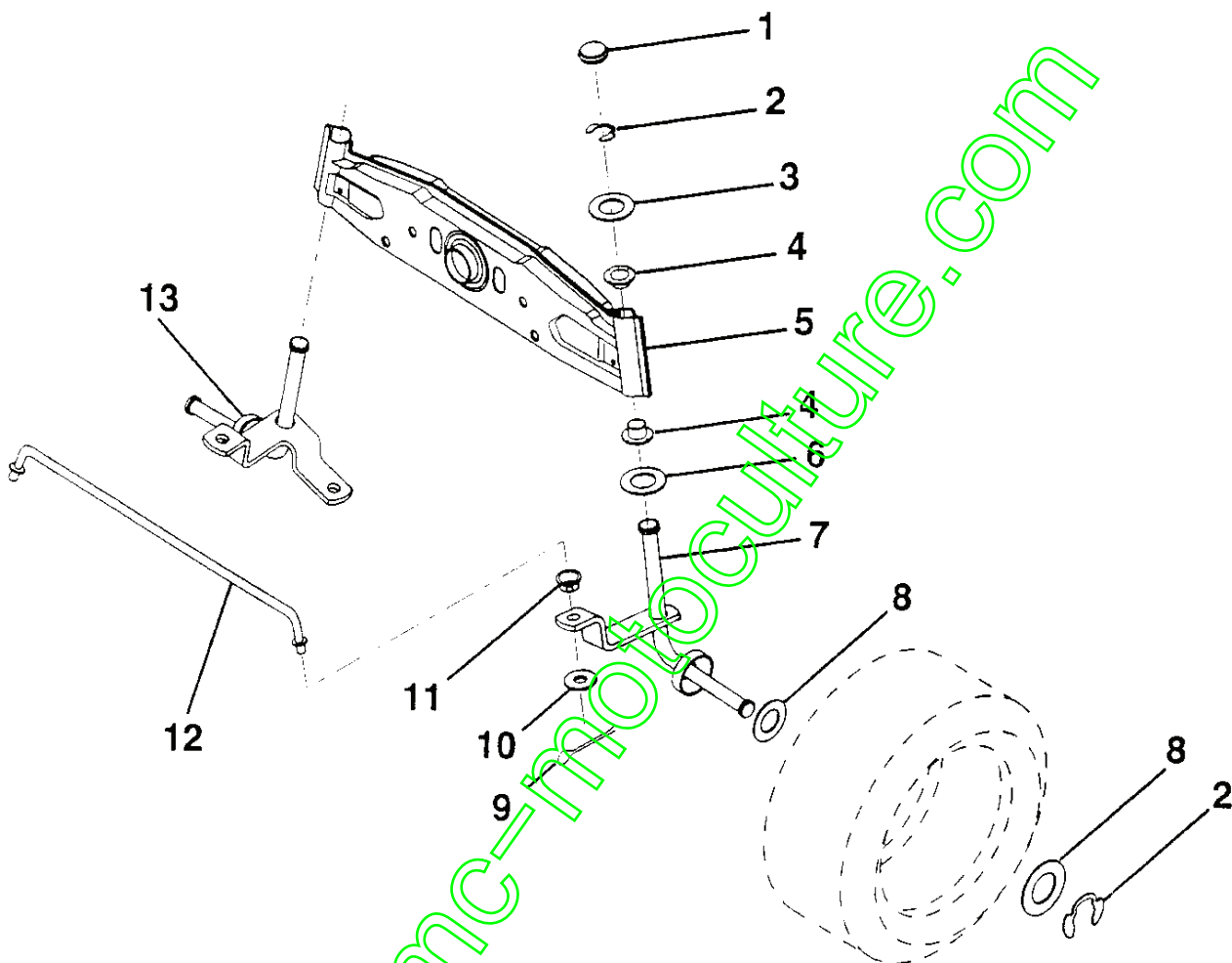
| KEY NO. | PART NO. | DESCRIPTION |
|---------|-----------|---------------------------------|
| 12 | 532126847 | Bushing |
| 13 | 874760512 | Bolt, Hex Hd. 5/16-18 UNC x 3/4 |
| 14 | 819111416 | Washer 11/32 x 7/8 x 16 Ga. |
| 15 | 872110606 | Bolt, Carriage 3/8-16 UNC x 3/4 |
| 16 | 872140622 | Bolt, Carriage |
| 17 | 532121912 | Support, Front Axle |
| 18 | 873220600 | Nut, Fin Hex 3/8-16 UNC |
| 19 | 873930600 | Nut, Centerlock 3/8-16 UNC |
| 20 | 873680600 | Nut, Crownlock 3/8-16 UNC |
| 21 | 873680500 | Nut, Crownlock 5/16-18 |

HARDWARE SHOWN LARGER FOR EASIER IDENTIFICATION

REPAIR PARTS

12 HP 36" TRACTOR - - MODEL NUMBER BL12T36B

FRONT AXLE



| KEY NO. | PART NO. | DESCRIPTION |
|---------|-----------|-------------------------------|
| 1 | 532121232 | Cap, Spindle |
| 2 | 812000029 | Ring, Clip |
| 3 | 532121748 | Washer 25/32 x 1-5/8 x 16 Ga. |
| 4 | 532121922 | Nylon |
| 5 | 532121914 | Axle, Front |
| 6 | 532124931 | Bearing, Thrust |
| 7 | 532121919 | Spindle, R.H. Asm. |

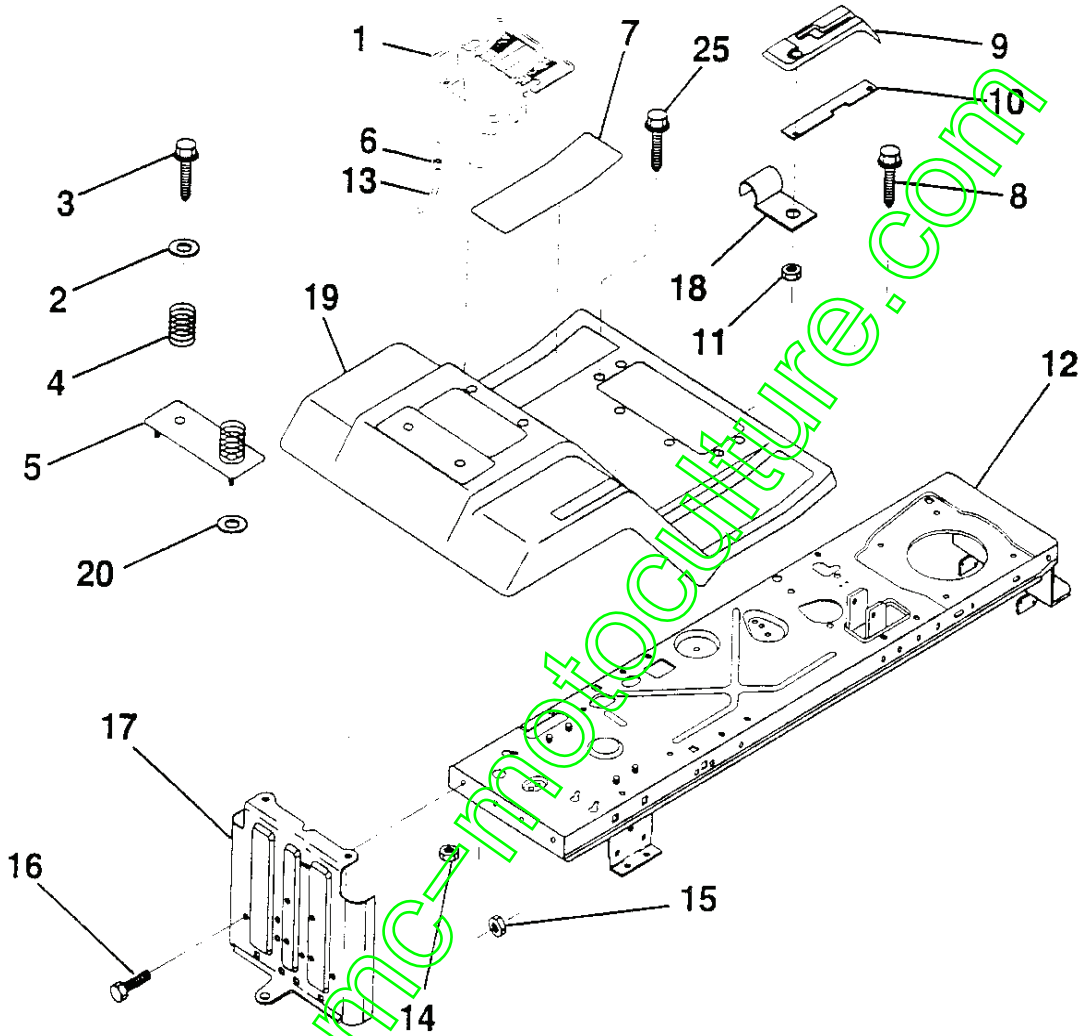
| KEY NO. | PART NO. | DESCRIPTION |
|---------|-----------|-------------------------------|
| 8 | 532121749 | Washer 25/32 x 1-1/4 x 16 Ga. |
| 9 | 876020412 | Pin, Cotter 1/8 x 3/4 |
| 10 | 819131316 | Washer 13/32 x 13/16 x 16 Ga. |
| 11 | 532126847 | Bushing |
| 12 | 532121924 | Rod, Tie |
| 13 | 532121916 | Spindle, L.H. Asm. |

HARDWARE SHOWN LARGER FOR EASIER IDENTIFICATION

REPAIR PARTS

12 HP 36" TRACTOR - - MODEL NUMBER BL12T36B

FENDER / CHASSIS



| KEY NO. | PART NO. | DESCRIPTION |
|---------|-----------|---------------|
| 1 | 532129965 | Case, Battery |

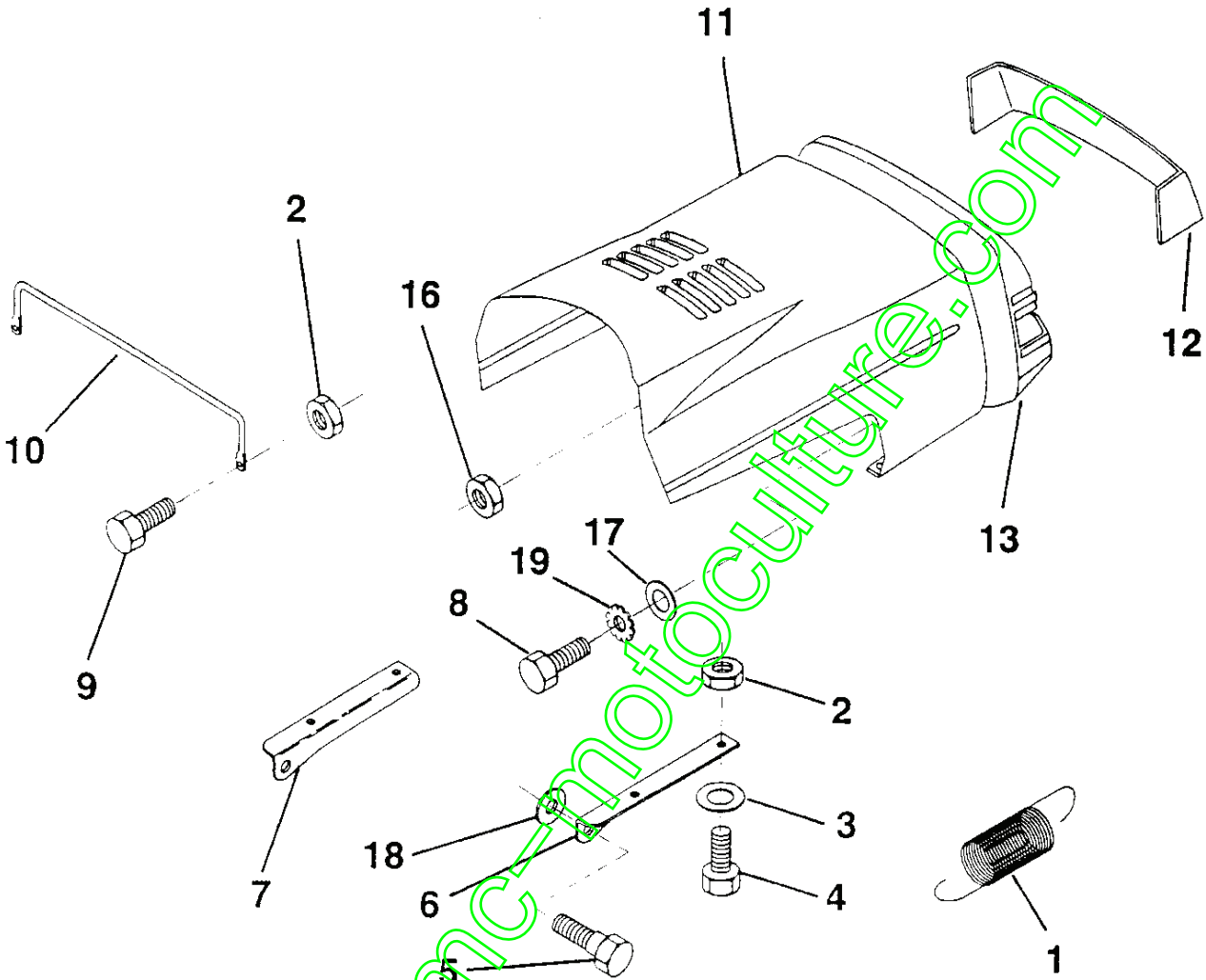
| KEY NO. | PART NO. | DESCRIPTION |
|---------|-----------|----------------------------------|
| 11 | 532124246 | Nut, Self-Threading, Washer Head |

www.emcmotoculture.com

REPAIR PARTS

12 HP 36" TRACTOR - - MODEL NUMBER BL12T36B

HOOD



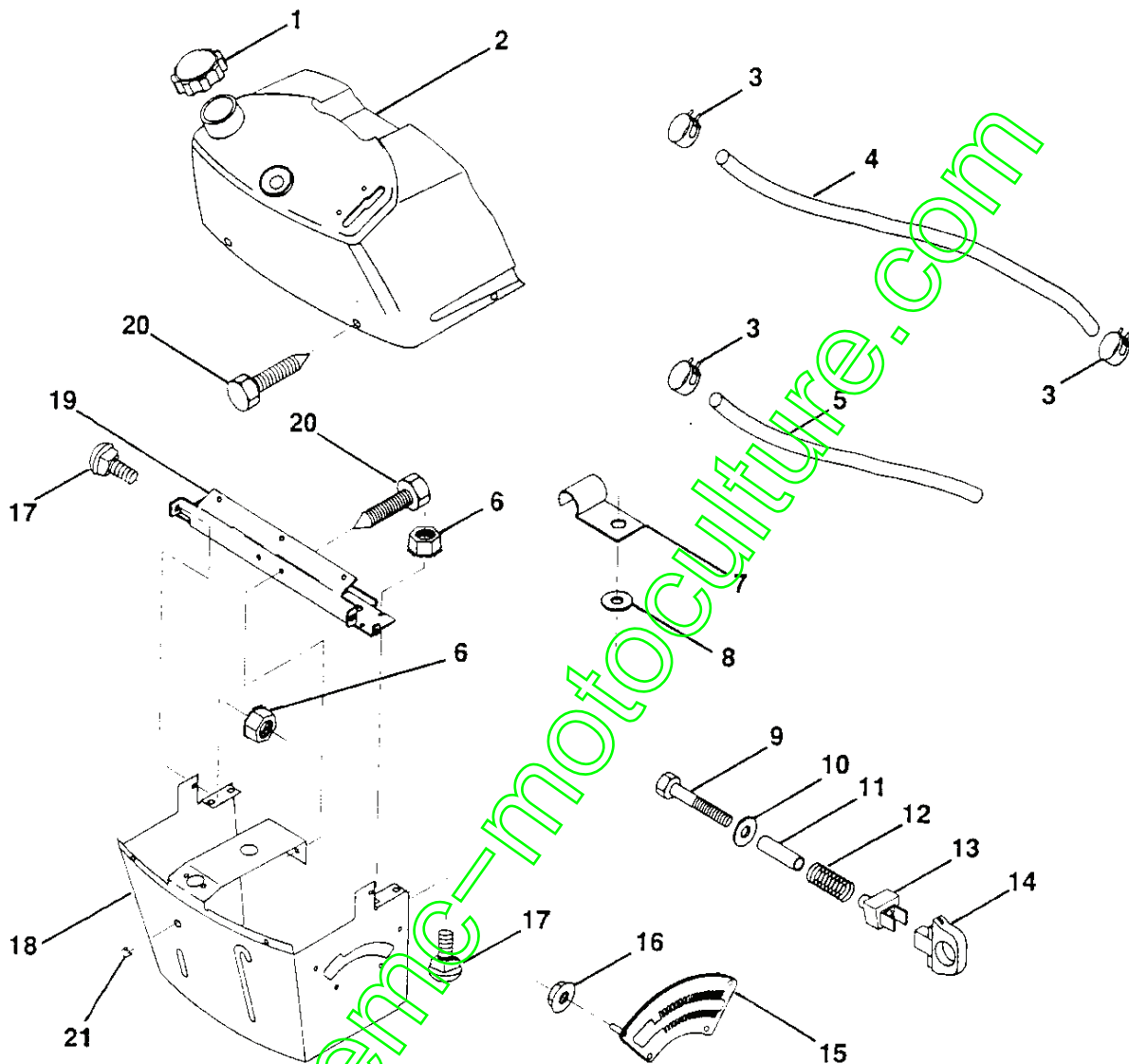
| KEY NO. | PART NO. | DESCRIPTION | KEY NO. | PART NO. | DESCRIPTION |
|---------|-----------|------------------------------------|---------|-----------|-----------------------------------|
| 1 | 532124657 | Extension, Spring | 10 | 532123693 | Brace, Hood |
| 2 | 873510400 | Nut, Hex, Keps 1/4-20 | 11 | 532132918 | Hood |
| 3 | 819091016 | Washer, 9/32 x 5/8 x 16 Ga. | 12 | 532127659 | Lens, Plate, Grill |
| 4 | 874780410 | Bolt, Hex Fin. 1/4-20 UNC 5/8 Gr.5 | 13 | 532125747 | Grill |
| 5 | 532126675 | Bolt, Shoulder | 16 | 532124346 | Nut, Self Thread, Washer Head 1/4 |
| 6 | 532122549 | Bracket, Hood R. H. | 17 | 819091016 | Washer 9/32 x 5/8 x 16 Ga. |
| 7 | 532122548 | Bracket, Hood L.H. | 18 | 819111116 | Washer 11/32 x 11/16 x 16 Ga. |
| 8 | 817411310 | Screw, Fin. Hex #13-16 Hi-Lo x 5/8 | 19 | 811030400 | Washer Lock Ext. 1/4 |
| 9 | 874780412 | Bolt, Hex Fin. 1/4-20 x 3/4 Gr. 5 | | | |

HARDWARE SHOWN LARGER FOR EASIER IDENTIFICATION

REPAIR PARTS

12 HP 36" TRACTOR - - MODEL NUMBER BL12T36B

DASH



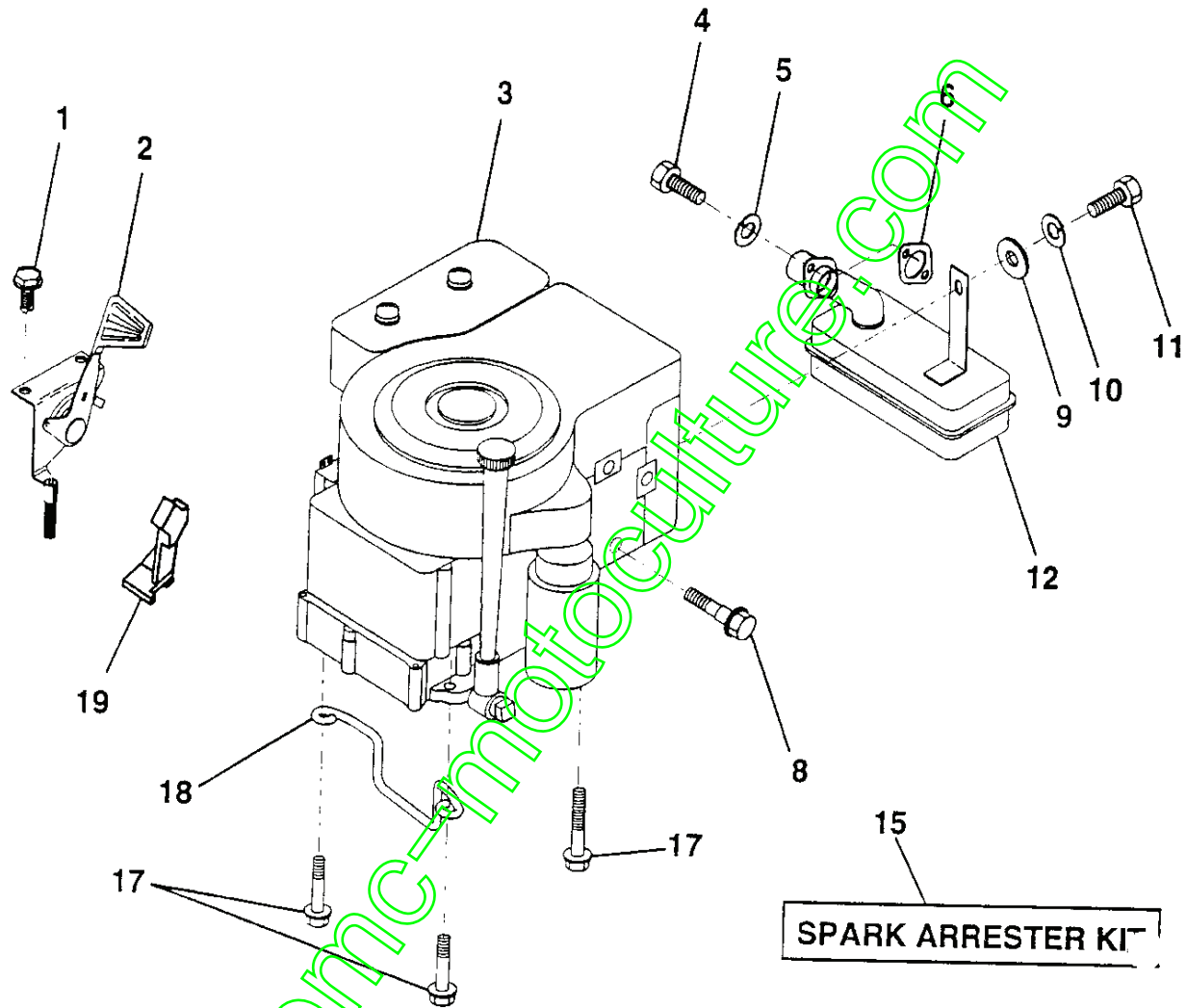
| KEY NO. | PART NO. | DESCRIPTION | KEY NO. | PART NO. | DESCRIPTION |
|---------|-----------|-------------------------------|---------|-----------|-----------------------------------|
| 1 | 532132734 | Cap, Fuel | 12 | 532003720 | Spring |
| 2 | 532138393 | Assembly, Dash & Fuel Tank | 13 | 532126450 | Clip, Height Adjustment |
| 3 | 532123487 | Clamp, Hose | 14 | 532126115 | Knob, Height Stop |
| 4 | 532008544 | Line, Fuel | 15 | 532122023 | Adjustment, Quadrant Height |
| 5 | 532008548 | Line, Fuel | 16 | 532124346 | Nut, Self-Threading 3/16-18 |
| 6 | 873510400 | Nut, Hex, Keps 1/4-20 | 17 | 872110404 | Bolt, Carriage 1/4-20 x 1/2 Gr. 5 |
| 7 | 532124996 | Clip, Fuel Line | 18 | 532130745 | Support Assembly, Dash |
| 8 | 819091216 | Washer 9/32 x 3/4 x 16 Ga. | 19 | 532134744 | Brace, Cross |
| 9 | 874760428 | Bolt, Hex, Fin 1/4-20 x 1-3/4 | 20 | 818000408 | Screw, Self-Tapping 1/4-20 x 1/2 |
| 10 | 819091413 | Washer 11/32 x 11/16 x 16 Ga. | 21 | 819090816 | Washer 9/32 x 1/2 x 16 Ga. |
| 11 | 532121249 | Spacer, Split | 22 | 532134014 | Plug, Dome |

HARDWARE SHOWN LARGER FOR EASIER IDENTIFICATION

REPAIR PARTS

12 HP 36" TRACTOR - - MODEL NUMBER BL12T36B

ENGINE / THROTTLE



| KEY NO. | PART NO. | DESCRIPTION |
|---------|-----------|--|
| 1 | 817720408 | Screw, Hex Thd. Cut 1/4-20 x 1/2 |
| 2 | 532133025 | Control, Throttle |
| 3 | ---- | Engine, Tecumseh OVXL 120 |
| 4 | 532123528 | Bolt, Hex Head Phillips |
| 5 | 810040500 | Washer, Lock Heavy Helical Spring 5/16 |
| 6 | 532002949 | Gasket, Exhaust |
| 8 | 532081328 | Bolt, Shoulder 5/16 |
| 9 | 819101216 | Washer 5/16 x 3/4 x 16 Ga. |

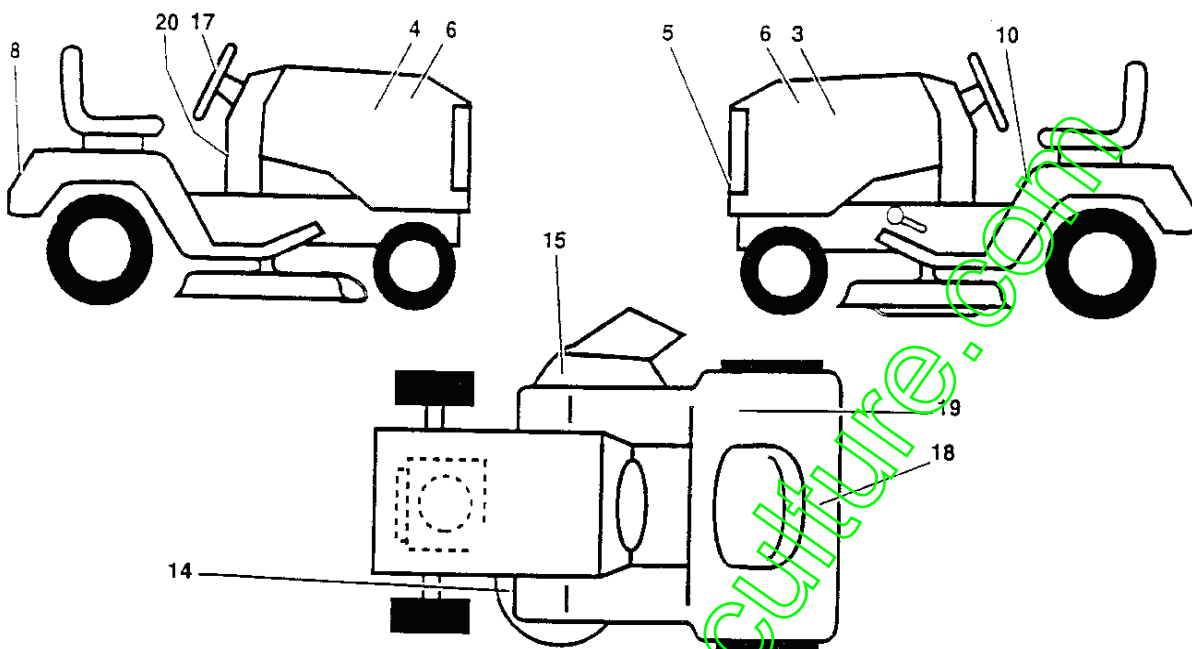
| KEY NO. | PART NO. | DESCRIPTION |
|---------|-----------|--|
| 10 | 810040400 | Washer, Lock Hvy. Helical 1/4 |
| 11 | 874760412 | Bolt Hex Hd 1/4-20 Unc x 3/4 |
| 12 | 532138032 | Muffler |
| 15 | 532137180 | Arrester, Spark (Optional equipment) |
| 17 | 817490624 | Screw, Hex Wsh Hd Thrdrol 3/8-16 x 1-1/2 |
| 18 | 532126636 | Keeper, Ground Drive Belt |
| 19 | 532134085 | Stop, Throttle |

HARDWARE SHOWN LARGER FOR EASIER IDENTIFICATION

REPAIR PARTS

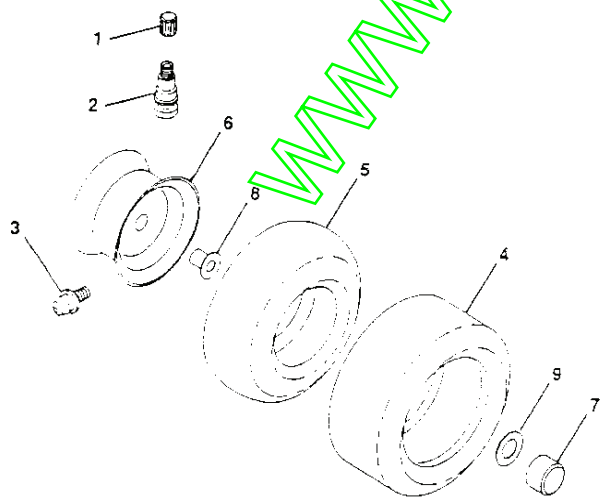
12 HP 36" TRACTOR - - MODEL NUMBER BL12T36B

DECALS



| KEY NO. | PART NO. | DESCRIPTION | KEY NO. | PART NO. | DESCRIPTION |
|---------|-----------|--|--|-----------|--|
| 3 | 532125816 | Decal, Hood, L. H. | 15 | 532126194 | Decal, Caution, Deflector, (English/ French/German/Dutch) |
| 4 | 532125817 | Decal, Hood, R. H. | 17 | 532125835 | Decal, Steering Wheel |
| 5 | 532125820 | Decal, Grill | 18 | 532121549 | Decal, Caution, Battery, (French/ German) |
| 6 | 532136314 | Decal, Side Panel | 19 | 532125690 | Decal DBA |
| 8 | 532125819 | Decal, Fender | 20 | 532123637 | Decal, Instruction, Operating, (English/French) |
| 10 | 532133795 | Decal, Caution, (English/French) | -- | 532131745 | Manual, Operator's |
| 14 | 532126192 | Decal, Warning, Deflector, (English/ French/German/Dutch) | Available accessories not included with tractor: | | |
| | | | -- | CE36 | Grass Catcher |

WHEELS & TIRES

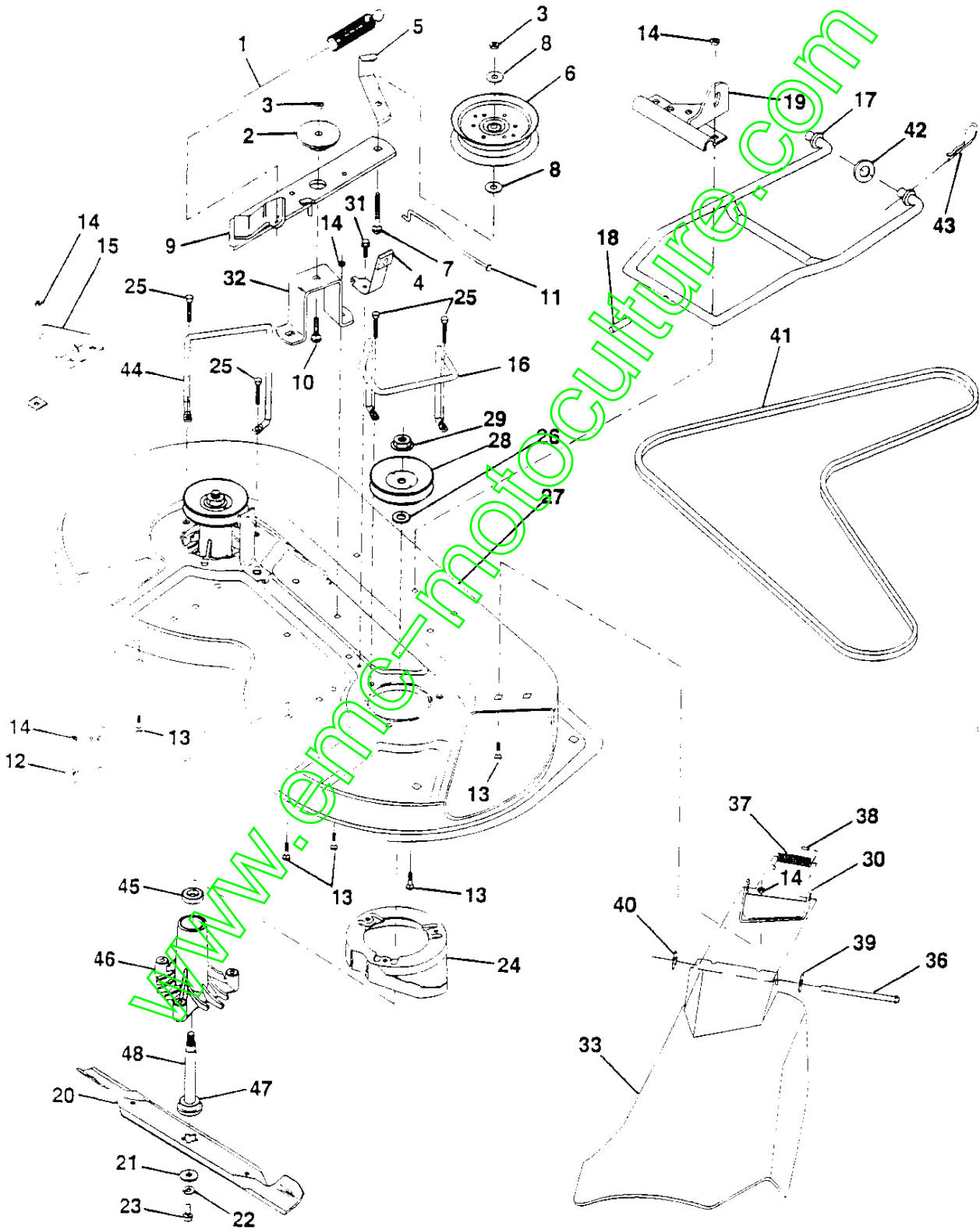


| KEY NO. | PART NO. | DESCRIPTION |
|---------|-----------|---|
| 1 | 532059192 | Cap, Valve |
| 2 | 532065139 | Stem, Valve |
| 3 | 532124957 | Fitting, Grease (Front Wheels Only) |
| 4 | 532132696 | Tire, Front |
| 4 | 532132703 | Tire, Rear |
| 5 | 532059904 | Tube, Front (Optional Service Item Only) |
| 5 | 532008134 | Tube, Rear (Optional Service Item Only) |
| 6 | 532124843 | Rim, Front |
| 6 | 532124844 | Rim, Rear |
| 7 | 532104757 | Cap, Axle |
| 8 | 532124959 | Bearing, Flange |
| 9 | 532121748 | Washer 25/32 x 1-5/8 x 16 Ga. |
| 10 | 532104757 | Cap, Axle |

REPAIR PARTS

12 HP 36" TRACTOR - - MODEL NUMBER BL12T36B

MOWER DECK



REPAIR PARTS**12 HP 36" TRACTOR - - MODEL NUMBER BL12T36B****MOWER DECK**

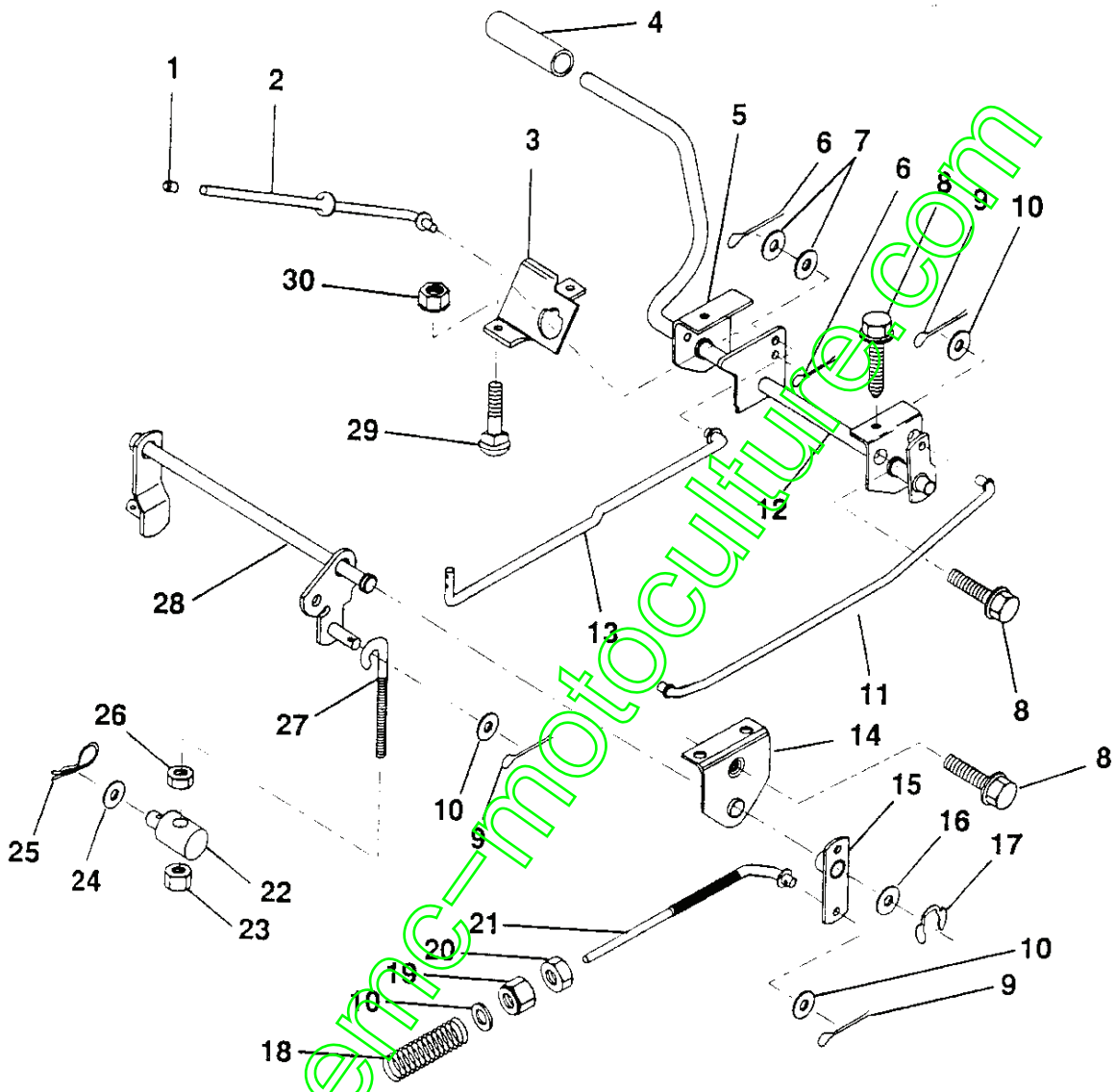
| KEY NO. | PART NO. | DESCRIPTION | KEY NO. | PART NO. | DESCRIPTION |
|---------|-----------|------------------------------|---------|-----------|--|
| 1 | 532127743 | Spring, Mower Clutch | 26 | 532129963 | Washer 150 Thk. |
| 2 | 532122052 | Spacer, Retainer | 27 | 532129983 | Deck Assembly |
| 3 | 873680600 | Nut, Crownlock | 28 | 532129207 | Pulley, Mandrel |
| 4 | 532130840 | Brake Asm. | 29 | 873050900 | Nut, Flangelock 9/16 |
| 5 | 532131251 | Guide, Belt Idler | 30 | 532136631 | Bracket, Asm. Deflector |
| 6 | 532121316 | Pulley, Fiat Idler | 31 | 817490508 | Screw, Hex Wsh. Thdrol. 5/16-18 x 1/2 |
| 7 | 872110616 | Bolt, Carr. 3/8-16 x 2 Gr. 5 | 32 | 532122051 | Arm, Support Idler Mower |
| 8 | 819131410 | Washer 13/21 x 7/8 x 10 Ga. | 33 | 532131580 | Deflector |
| 9 | 532127744 | Arm Asm., Idler Mower | 36 | 532121980 | Rod, Hinge |
| 10 | 872110608 | Bolt, Carriage 3/8-16 x 1 | 37 | 532123713 | Spring, Torsion Deflector |
| 11 | 532130841 | Rod, Brake | 38 | 532105304 | Cap, Sleeve |
| 12 | 532127356 | Bracket, Lift R.H. Rear | 39 | 819111016 | Washer 11/32 x 5/8 x 16 Ga. |
| 13 | 872140505 | Bolt, Carriage 5/16-18 x 5/8 | 40 | 532110452 | Pushnut |
| 14 | 873680500 | Nut, Crownlock 5/16-18 | 41 | 532131264 | V-Belt |
| 15 | 532127357 | Bracket, Lift L.H. Rear | 42 | 819171616 | Washer 11/32 x 5/8 x 16 Ga. |
| 16 | 532130837 | Keeper, R.H. | 43 | 532124660 | Retainer, Spring |
| 17 | 532128508 | Link, Asm. Mower Stabilizer | 44 | 532130836 | Keeper, L.H. |
| 18 | 532128511 | Pin, Drive | 45 | 532110485 | Bearing |
| 19 | 532127380 | Bracket, Asm. Front | 46 | 532128774 | Housing, Mandrel |
| 20 | 532128496 | Blade | 47 | 532129895 | Bearing |
| 21 | 532129962 | Washer, Hard | 48 | 532133172 | Shaft, Asm. Mandrel (Incl. Key #47) |
| 22 | 810030600 | Washer, Lock 3/8 | — | 532130794 | Mandrel Asm. (Includes Key Nos. 21-23, 26, 29 and 45-48) |
| 23 | 532850857 | Bolt 3/8-24 x 1-1/4 Gr. 8 | — | 532136316 | Deck, Service Complete |
| 24 | 532136929 | Stripper | | | |
| 25 | 532078158 | Bolt 5/16-18 x 1-1/4 | | | |

HARDWARE SHOWN LARGER FOR EASIER IDENTIFICATION

REPAIR PARTS

12 HP 36" TRACTOR - - MODEL NUMBER BL12T36B

BRAKE / REAR MOWER LIFT ASSEMBLY



| KEY NO. | PART NO. | DESCRIPTION | KEY NO. | PART NO. | DESCRIPTION |
|---------|-----------|--------------------------------------|---------|-----------|---|
| 1 | 532071673 | Cap, Plunger | 16 | 819251816 | Washer 25/32 x 1-1/8 x 16 Ga. |
| 2 | 532123436 | Rod, Parking Brake | 17 | 812000034 | Ring, Klip |
| 3 | 532123437 | Bracket, Parking Brake | 18 | 532106888 | Spring, Brake Rod |
| 4 | 532124872 | Cover, Pedal | 19 | 873800600 | Locknut, Hex w/Washer Insert 3/8-16 UNC |
| 5 | 532122504 | Bracket, Clutch Pedal, LH | 20 | 873350600 | Nut, Hex, Jam 3/8-16 UNC |
| 6 | 876020312 | Pin, Cotter 3/32 x 3/4 | 21 | 532130841 | Rod, Rear Brake |
| 7 | 819131016 | Washer 13/32 x 5/8 x 16 Ga. | 22 | 532127378 | Trunnion, Lift |
| 8 | 817490508 | Screw, Hex, Thd. Roll. 5/16-18 x 1/2 | 23 | 873680600 | Nut, Crownlock 3/8-16 UNC |
| 9 | 876020412 | Pin, Cotter 1/8 x 3/4 | 24 | 819132012 | Washer 13/32 x 1-1/4 x 12 Ga. |
| 10 | 819131316 | Washer 13/32 x 13/16 x 16 Ga. | 25 | 532124961 | Spring, Retainer |
| 11 | 532123543 | Rod, Brake Front | 26 | 873930600 | Nut, Centerlock 3/8-16 UNC |
| 12 | 532129567 | Assembly, Clutch/Brake Pedal | 27 | 532127369 | Link, Threaded |
| 13 | 532123394 | Rod, Clutch | 28 | 532127358 | Assembly, Rear Mower Lift |
| 14 | 532121978 | Bracket, Lift, Shaft | 29 | 872110506 | Bolt, Carriage 5/16-18 UNC x 3/4 |
| 15 | 532123641 | Assembly, Brake, Pivot, Arm | 30 | 873510500 | Nut, Keps 5/16-16 UNC |

HARDWARE SHOWN LARGER FOR EASIER IDENTIFICATION