

ILLUSTRATED PARTS BREAKDOWN

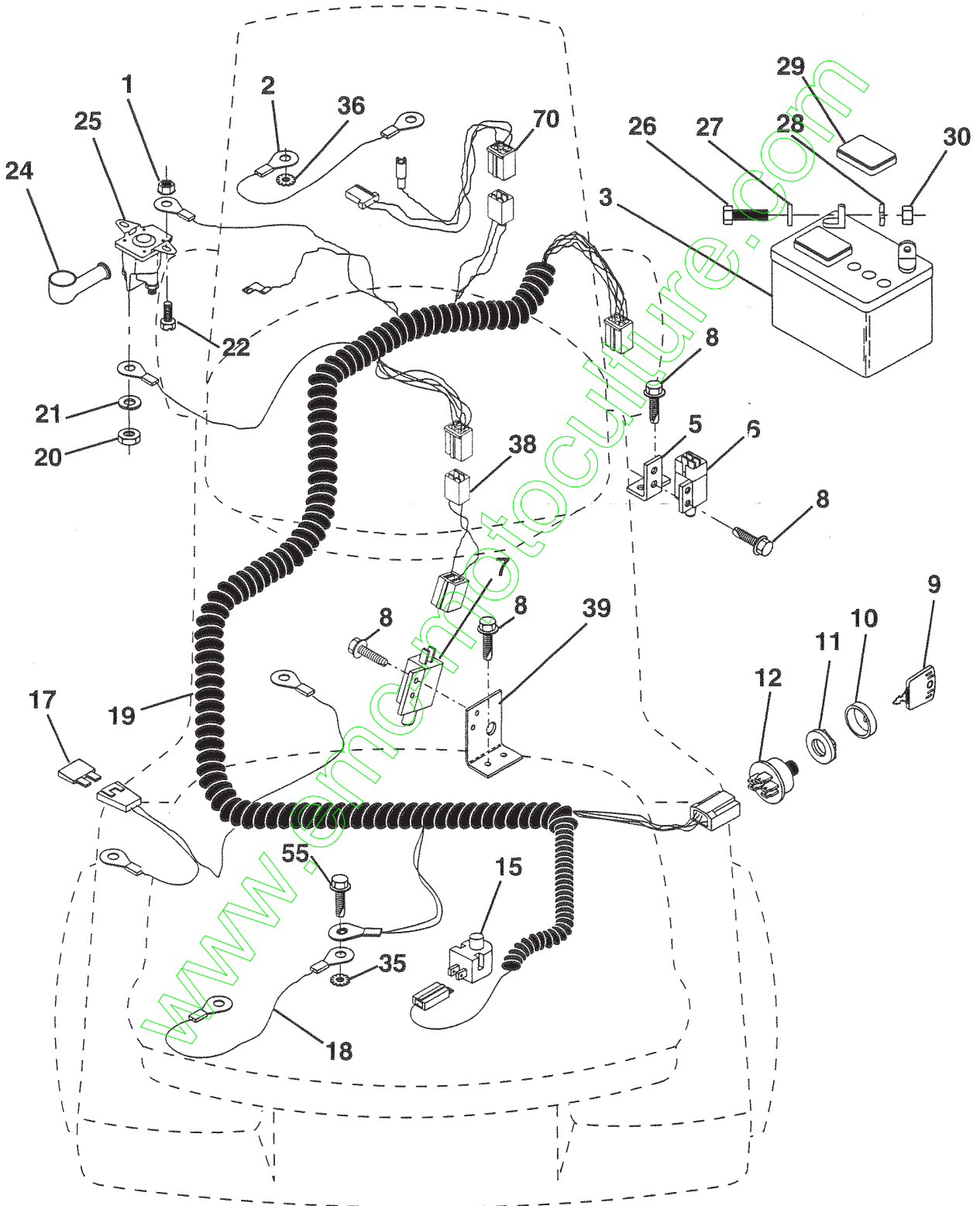
**BERNARD LOISIRS
12 HP LAWN TRACTOR
MODEL NO. BL1238TB
954 00 23-71**

www.emc-motoculture.com

REPAIR PARTS

12 HP 38" TRACTOR - - MODEL NUMBER BL1238TB

ELECTRICAL



REPAIR PARTS

12 HP 38" TRACTOR - - MODEL NUMBER BL1238TB

ELECTRICAL

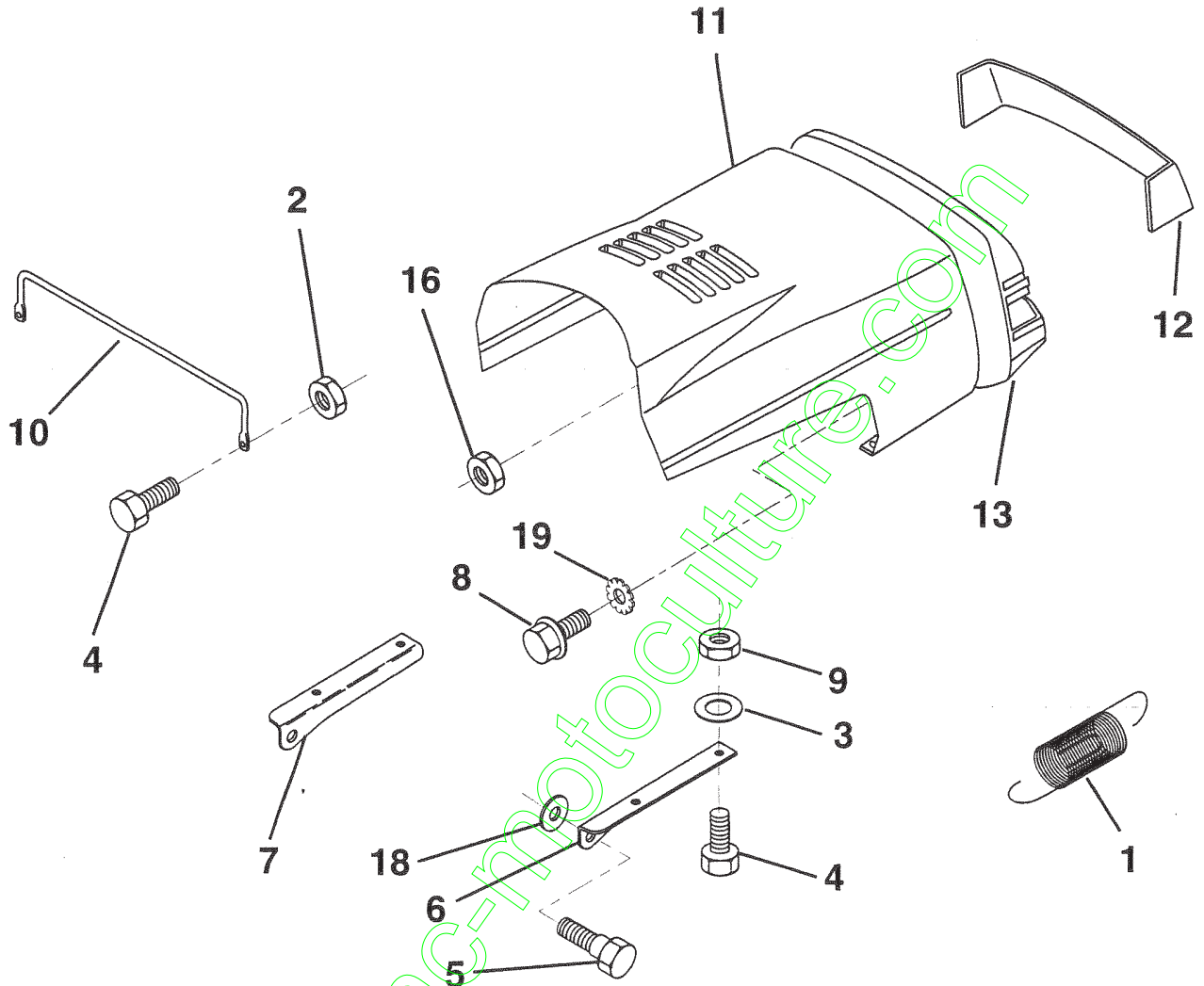
KEY NO.	PART NO.	DESCRIPTION
1	873510400	Nut, Hex Keps 1/4-20
2	532108423	Assembly, Cable
3	532133909	Battery
5	532108236	Bracket, Switch
6	532109553	Switch, Interlock 4 terminal
7	532104445	Switch, Interlock 2 terminal
8	817021008	Screw, Tap Hex Hd.
9	532140401	Key, Molded
10	532123620	Cover, Key Ignition
11	532140400	Nut, Ignition
12	532140399	Switch, Ignition
14	532124756	Tie, Cable
15	532121305	Switch, Plunger
17	532108824	Fuse
18	532128353	Assembly, Cable
19	532143131	Harness, Ignition
20	873350400	Nut, Hex Jam 1/4-20
21	810090400	Washer, Lock 1/4
22	874780408	Bolt, Fin Hex 1/4-20 UNC x 1/2 Gr. 5
24	532131563	Cover, Terminal
25	532138406	Solenoid
26	874760412	Bolt, Hex Hd. 1/4-20 UNC x 3/4
27	819091016	Washer 9/32 x 5/8 x 16
28	810040400	Washer, Lock 1/4
29	532121264	Cap, Battery
30	873220400	Nut, Fin Hex 1/4-20 UNC
35	811050500	Washer, Lock Ext. Tooth 5/16
36	811150400	Washer Lock Int. Tooth 1/4
38	532140660	Harness, Adapter
39	532141735	Bracket Switch Clutch
55	817490508	Screw Thdrol 5/16-18 x 1/2
70	532140413	Harness, Engine

HARDWARE SHOWN LARGER FOR EASIER IDENTIFICATION

REPAIR PARTS

12 HP 38" TRACTOR -- MODEL NUMBER BL1238TB

HOOD



KEY NO.	PART NO.	DESCRIPTION
1	532124657	Extension, Spring
2	873510400	Nut, Hex, Keps 1/4-20
3	819091416	Washer 9/32 x 7/8 x 16 Ga.
4	874780412	Bolt, Hex Fin. 1/4-20 x 3/4 Gr. 5
5	532126675	Bolt, Shoulder
6	532122549	Bracket, Hood R. H.
7	532122548	Bracket, Hood L.H.
8	817521310	Screw, Sltd Hx Hd w/Pl Washer

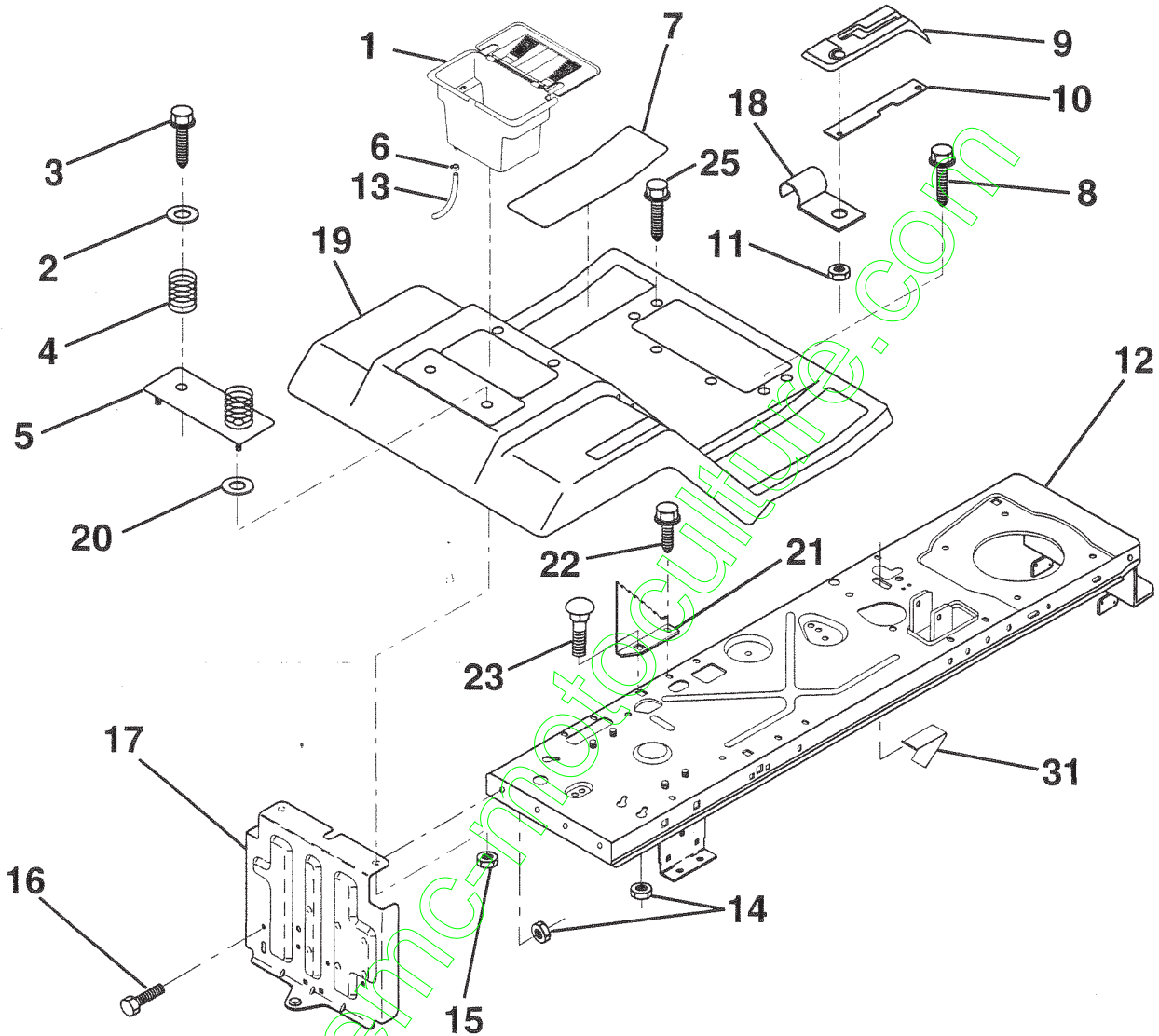
KEY NO.	PART NO.	DESCRIPTION
9	873800400	Nut, Lock w/insert 1/4-20 Unc
10	532123693	Brace, Hood
11	532125386	Hood
12	532140126	Lens, Plate, Grill
13	532140110	Grill
16	532124346	Nut, Self Thd.
18	819111116	Washer 11/32 x 11/16 x 16 Ga.
19	811030400	Washer Lock 1/4 Int/Ext Tooth

HARDWARE SHOWN LARGER FOR EASIER IDENTIFICATION

REPAIR PARTS

12 HP 38" TRACTOR -- MODEL NUMBER BL1238TB

FENDER / CHASSIS



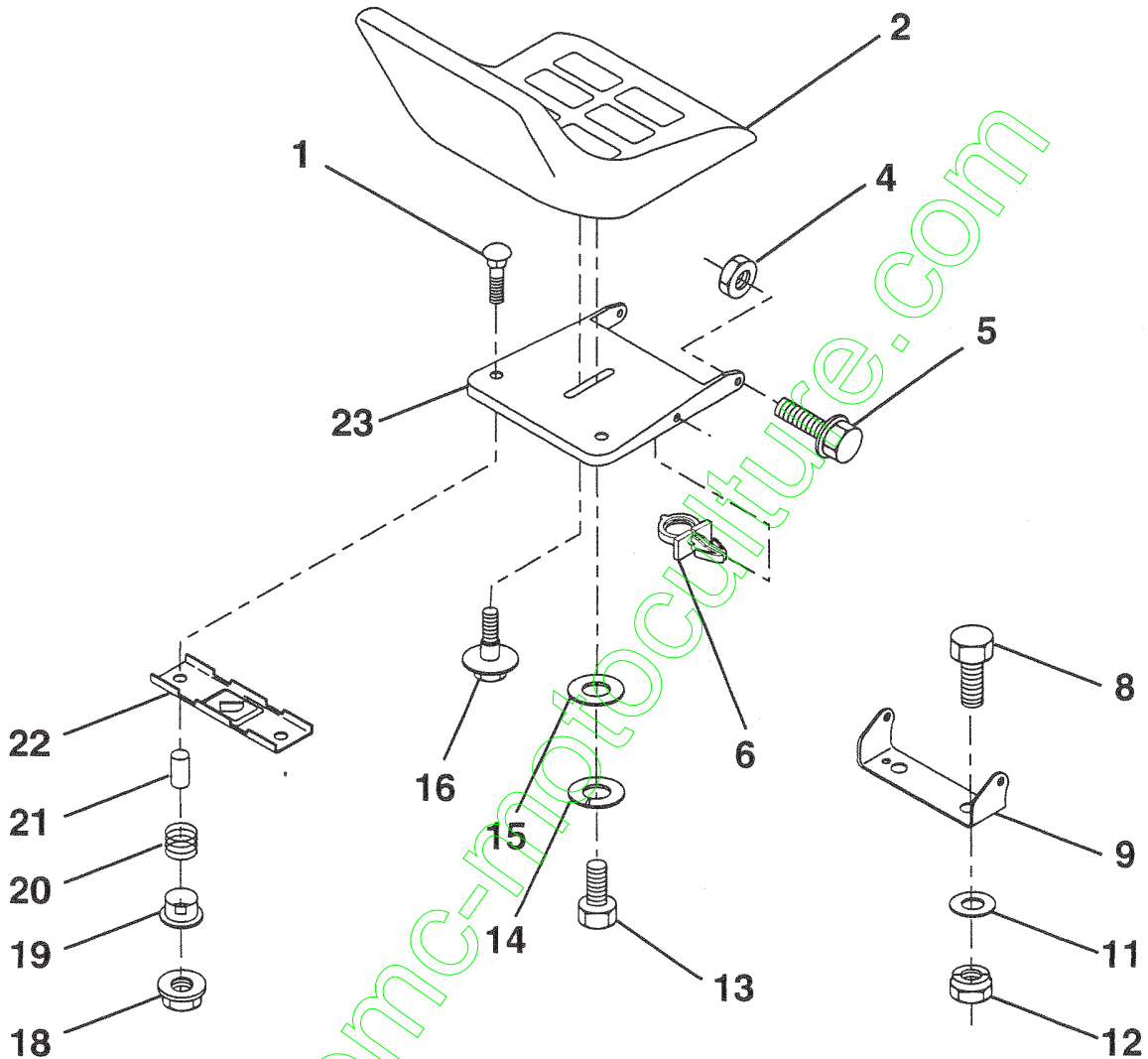
KEY NO.	PART NO.	DESCRIPTION	KEY NO.	PART NO.	DESCRIPTION
1	532129965	Case, Battery	12	532140784	Assembly, Frame
2	819132012	Washer 13/32 x 1-1/4 x 12 Gauge	13	532109238	Tube, Battery Drain
3	817490612	Screw, Hex Wsh. Thrdrol. 3/8-16 x 3/4	14	873800500	Nut Lock Hex W/Wsh 5/16-18
4	532124181	Spring, Compression, Seat	15	873510400	Nut, Keps 1/4-20 UNC
5	532125139	Plate, Asm. Battery	16	874760512	Bolt, Hex Hd. 5/16-18 UNC x 3/4
6	532109596	Clamp, Hose	17	532127880	Drawbar
7	532124144	Pad, Footrest	18	532126470	Clip, Insulated
8	817490512	Screw, Hex Wsh. Thrdrol. 5/16-18 x 3/4	19	532141471	Fender/Footrest
9	532126995	Console, Shift Control	20	819091413	Washer 9/32 x 7/8 x 13 Ga.
10	532139783	Bar, Shift Lock	21	532140297	Plate Stop Depth
11	532124346	Nut, Self-Threading, Washer Head 3/16	22	817490508	Screw Thdrol 5/16-18 x 1/2
			23	872110506	Bolt Rdhd Sqnk 5/16-18 x 3/4
			25	817490516	Screw Hx Wsh Thd Rol 5/16-18x1
			31	532141736	Switch Actuator

HARDWARE SHOWN LARGER FOR EASIER IDENTIFICATION

REPAIR PARTS

12 HP 38" TRACTOR -- MODEL NUMBER BL1238TB

SEAT



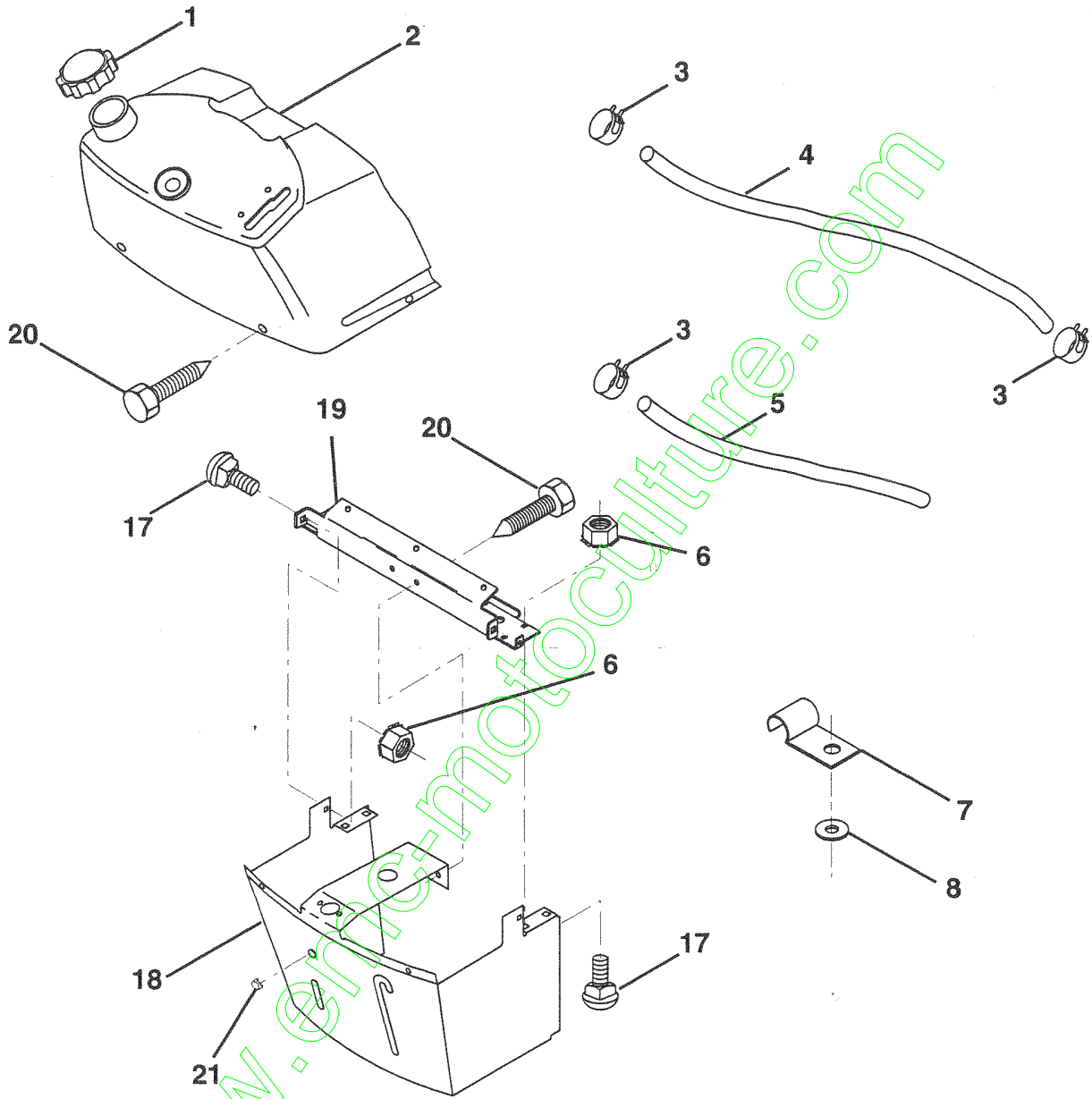
KEY NO.	PART NO.	DESCRIPTION	KEY NO.	PART NO.	DESCRIPTION
1	872050411	Bolt, Carriage 1/4-20 x 1-3/8	14	810040800	Washer, Lock Hvy Helical Spring
2	532127427	Seat	15	819171912	Washer 17/32 x 1-3/16 x 12 Ga.
4	873800500	Nut, Lock Hex W/Wsh 5/16-18	16	532127018	Bolt, Shoulder
5	532139888	Bolt, Shoulder 5/16-18 UNC	18	532123976	Nut, Hex Large Flange Lock
6	532140407	Clip, Push-In	19	532121248	Bushing, Snap
8	874760612	Bolt, Fin Hex 3/8-16 UNC x 3/4	20	532121250	Spring, Compression
9	532126656	Bracket, Pivot Seat	21	532134300	Spacer, Split 28 Id. x .96 Lg.
11	819133210	Washer 12/32 x 3/4 x 10 Ga.	22	532121246	Bracket, Switch, Mounting
12	873800600	Nut, Lock Hex W/Ins 3/8-16 UNC	23	532140552	Pan, Seat
13	874780814	Bolt, Fin Hex 1/2-13 UNC x 7/8 Gr. 5			

HARDWARE SHOWN LARGER FOR EASIER IDENTIFICATION

REPAIR PARTS

12 HP 38" TRACTOR - - MODEL NUMBER BL1238TB

DASH



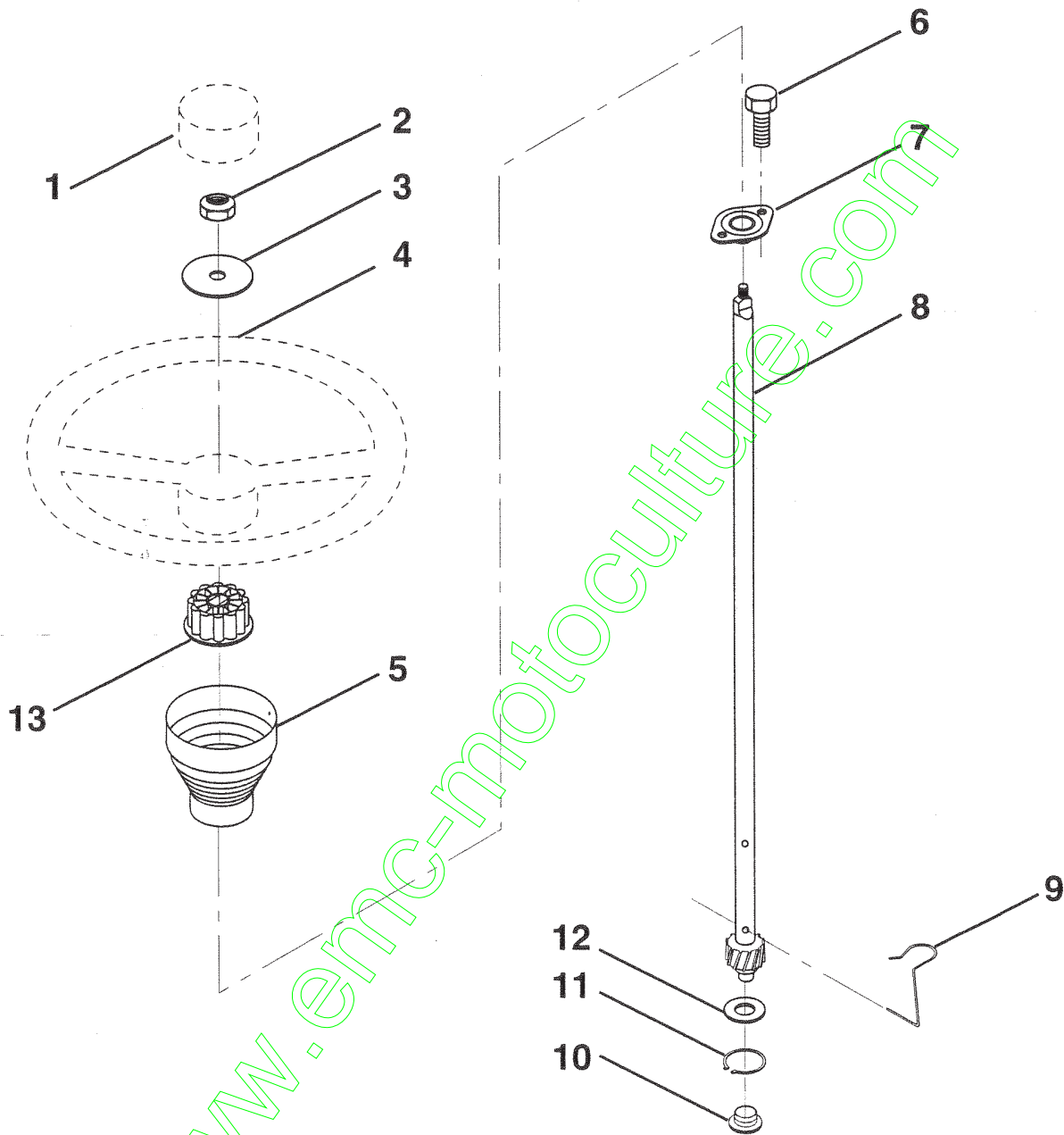
KEY NO.	PART NO.	DESCRIPTION	KEY NO.	PART NO.	DESCRIPTION
1	532132734	Cap, Fuel	8	819091216	Washer 9/32 x 3/4 x 16 Ga.
2	532138393	Assembly, Dash & Fuel Tank	17	872110404	Bolt, Carriage 1/4-20 x 1/2 Gr. 5
3	532123487	Clamp, Hose	18	532131886	Support Assembly, Dash
4	532008544	Line, Fuel	19	532134744	Brace, Cross
5	532008548	Line, Fuel	20	817060408	Screw, Self-Tapping 1/4-20 x 1/2
6	873510400	Nut, Hex, Keps 1/4-20	21	532134014	Plug Dome Blk
7	532124996	Clip, Fuel Line			

HARDWARE SHOWN LARGER FOR EASIER IDENTIFICATION

REPAIR PARTS

12 HP 38" TRACTOR - - MODEL NUMBER BL1238TB

STEERING WHEEL



KEY NO.	PART NO.	DESCRIPTION
1	532133742	Insert, Wheel, Steering
2	532124701	Nut, Lock 3/8-24 UNF
3	819133808	Washer 12/32 x 2-3/8 x 8 Ga.
4	532133741	Wheel, Steering
5	532121897	Sleeve, Steering
6	817431008	Screw, Hex #10-16 x 1/2 TY-B
7	532102803	Bushing, Steering

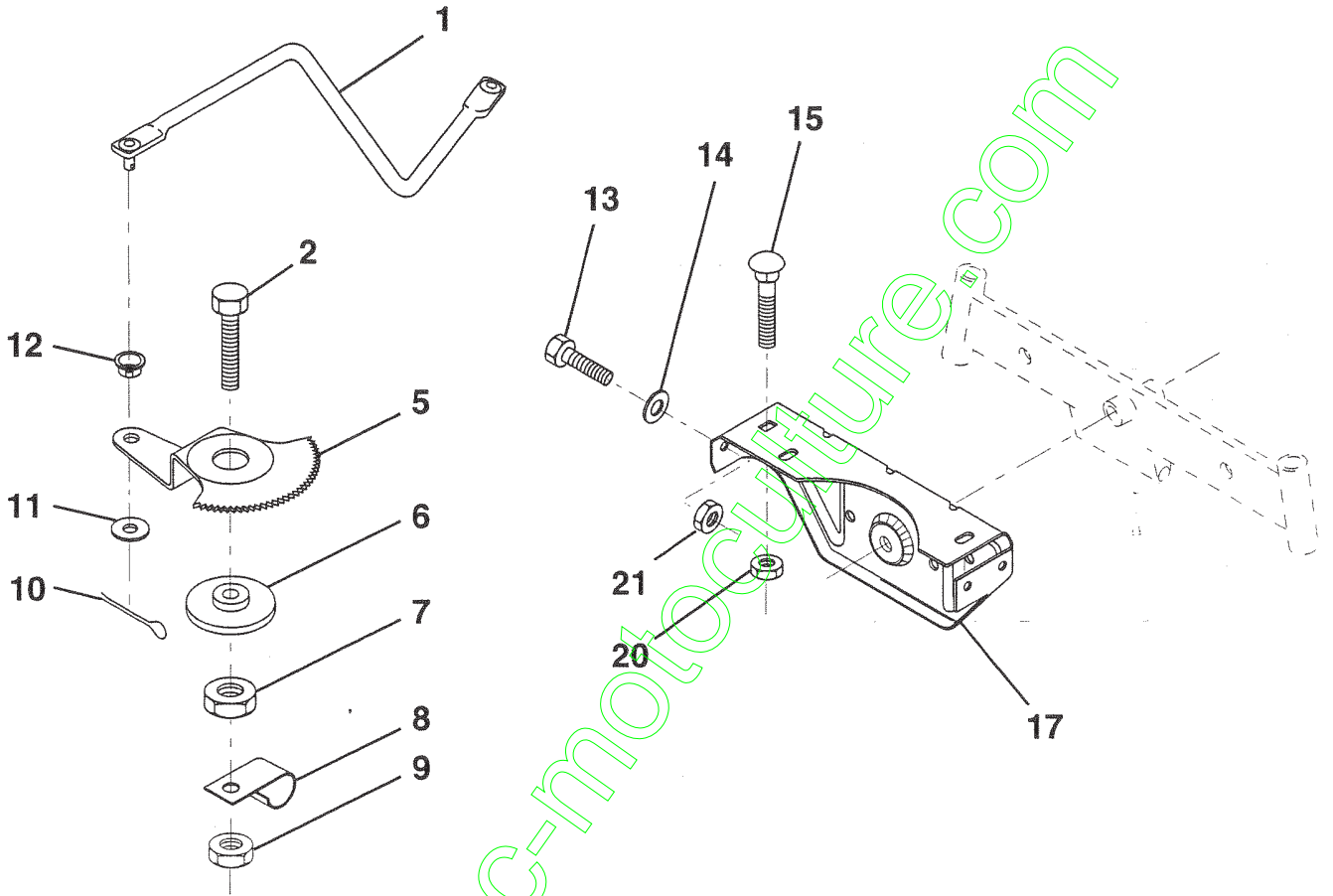
KEY NO.	PART NO.	DESCRIPTION
8	532123651	Shaft, Steering
9	532124210	Clip, Steering
10	532123438	Bushing, Lower, Steering
11	812000045	Ring, Retaining
12	819211616	Washer 21/32 x 1 x 16 Ga.
13	532104820	Adaptor, Wheel, Steering

HARDWARE SHOWN LARGER FOR EASIER IDENTIFICATION

REPAIR PARTS

12 HP 38" TRACTOR - - MODEL NUMBER BL1238TB

SECTOR GEAR / AXLE SUPPORT



KEY NO.	PART NO.	DESCRIPTION
1	532132566	Link, Drag
2	874780828	Bolt, Fin Hex 1/2-13 x 1-3/4
5	532121926	Gear, Sector
6	532121927	Bushing
7	873030800	Nut, Hvy Hex Top Lock 1/2-13 UNC
8	532126472	Clip, Insulated
9	873680800	Nut, Crownlock 3/8-16
10	876020412	Pin, Cotter 1/8 x 3/4
11	819131316	Washer, 13/32 x 13/16 x 16 Ga.

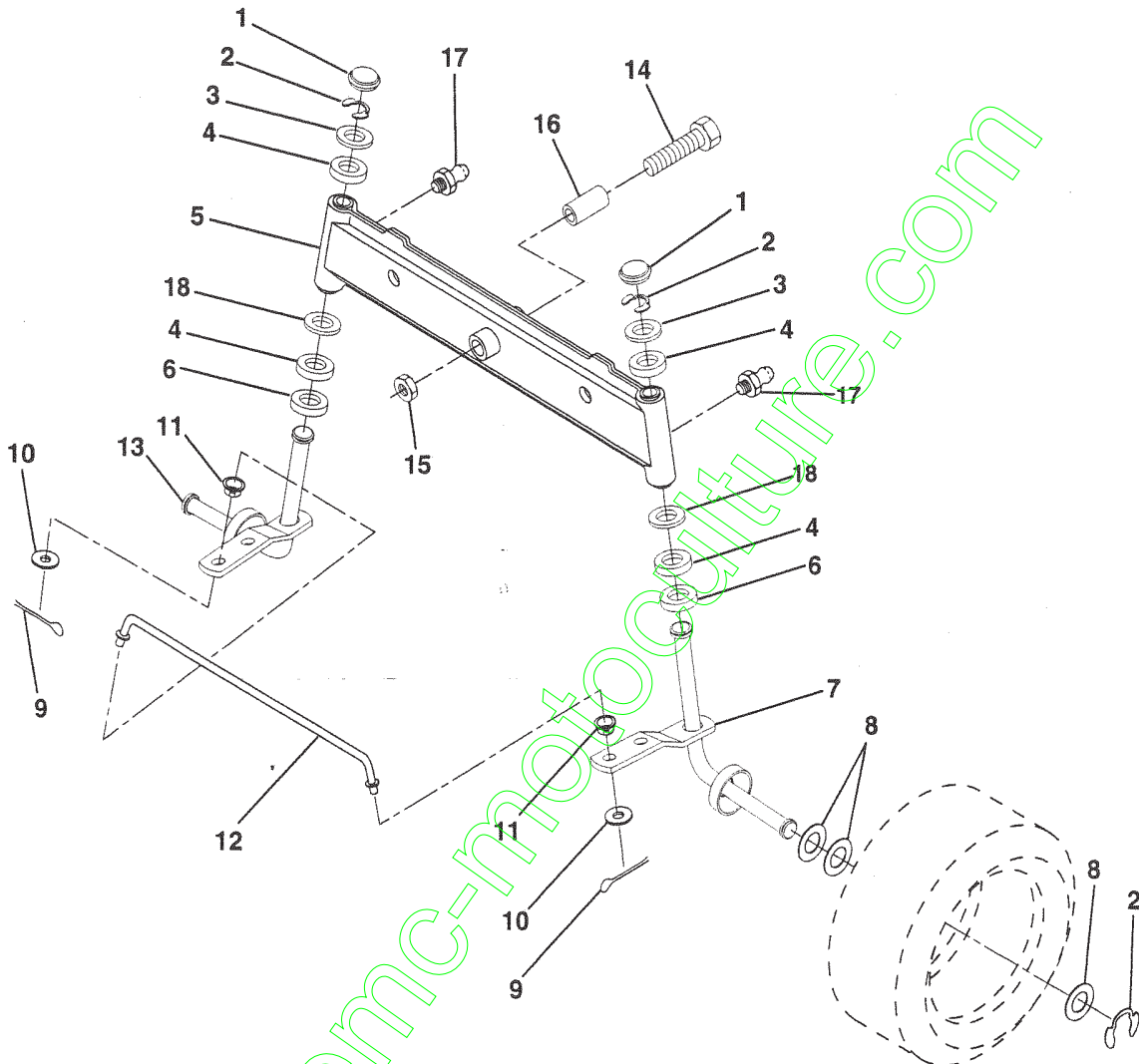
KEY NO.	PART NO.	DESCRIPTION
12	532126847	Bushing
13	874760512	Bolt, Hex Hd. 5/16-18 UNC x 3/4
14	819111416	Washer 11/32 x 7/8 x 16 Ga.
15	872110606	Bolt, Carriage 3/8-16 UNC x 3/4
17	532137096	Support, Front Axle
20	873800600	Nut, Lock Hex W/Ins. 3/8-16 UNC
21	873800500	Nut, Lock Hex W/Wsh 5/16-18

HARDWARE SHOWN LARGER FOR EASIER IDENTIFICATION

REPAIR PARTS

12 HP 38" TRACTOR -- MODEL NUMBER BL1238TB

FRONT AXLE



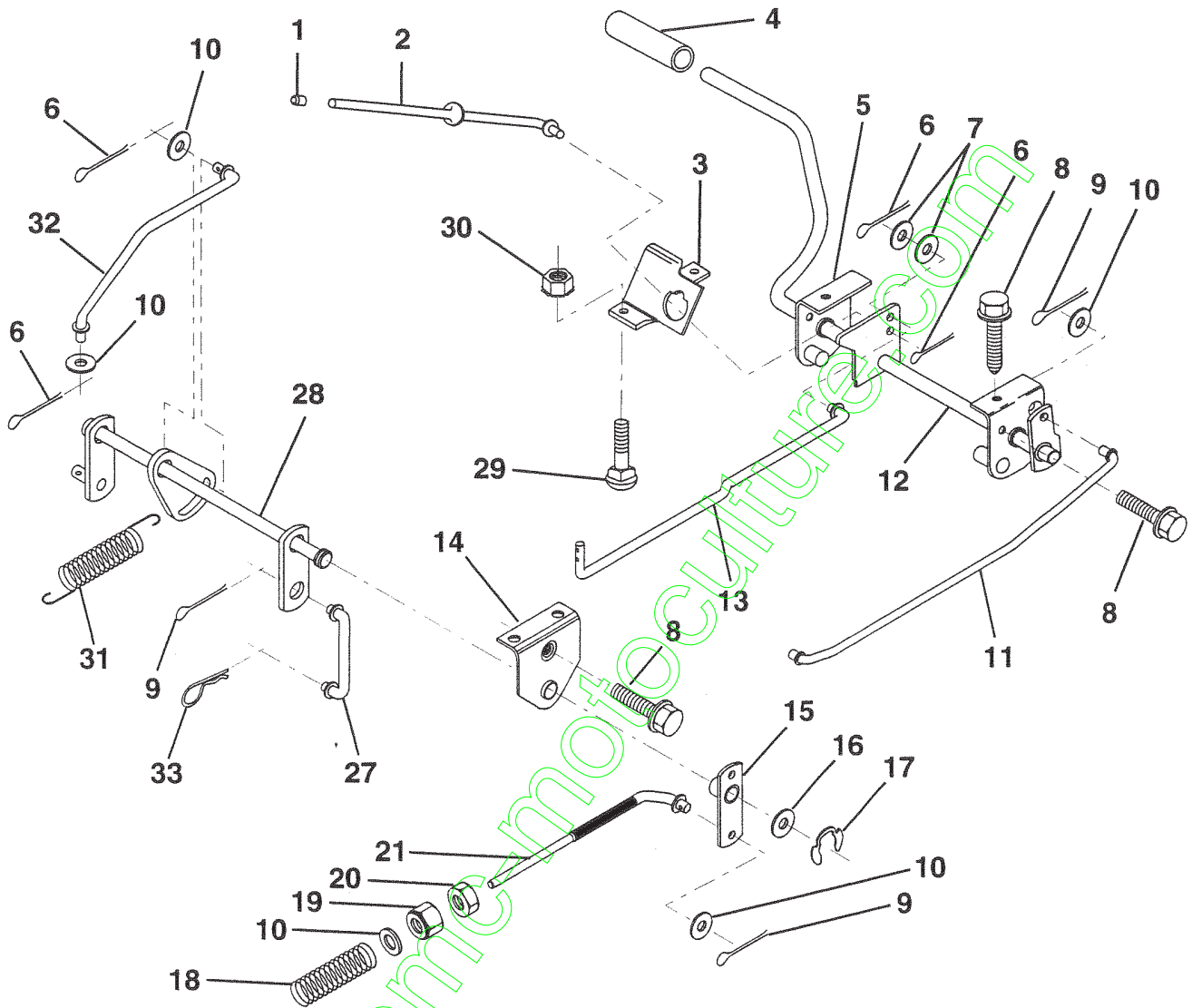
KEY NO.	PART NO.	DESCRIPTION	KEY NO.	PART NO.	DESCRIPTION
1	532121232	Cap, Spindle	10	819131316	Washer 13/32 x 13/16 x 16 Ga.
2	812000029	Ring, Clip	11	532126847	Bushing
3	532121748	Washer 25/32 x 1-5/8 x 16 Ga.	12	532130465	Rod, Tie
4	532124937	Bearing Col Strg Blk	13	532137061	Spindle, L.H. Asm.
5	532142033	Axle, Front	14	874011056	Bolt Hex 5/8-11 x 3-1/2
6	532124931	Bearing, Thrust	15	873901000	Locknut Flange 5/8-11
7	532137062	Spindle, R.H. Asm.	16	532110438	Spacer Bearing Axle Front
8	532121749	Washer 25/32 x 1-1/4 x 16 Ga.	17	532124836	Fitting Grease
9	876020412	Pin, Cotter 1/8 x 3/4	18	819272016	Washer 27/32 x 1-1/4 x 16 Ga.

HARDWARE SHOWN LARGER FOR EASIER IDENTIFICATION

REPAIR PARTS

12 HP 38" TRACTOR - - MODEL NUMBER BL1238TB

BRAKE / REAR MOWER LIFT ASSEMBLY



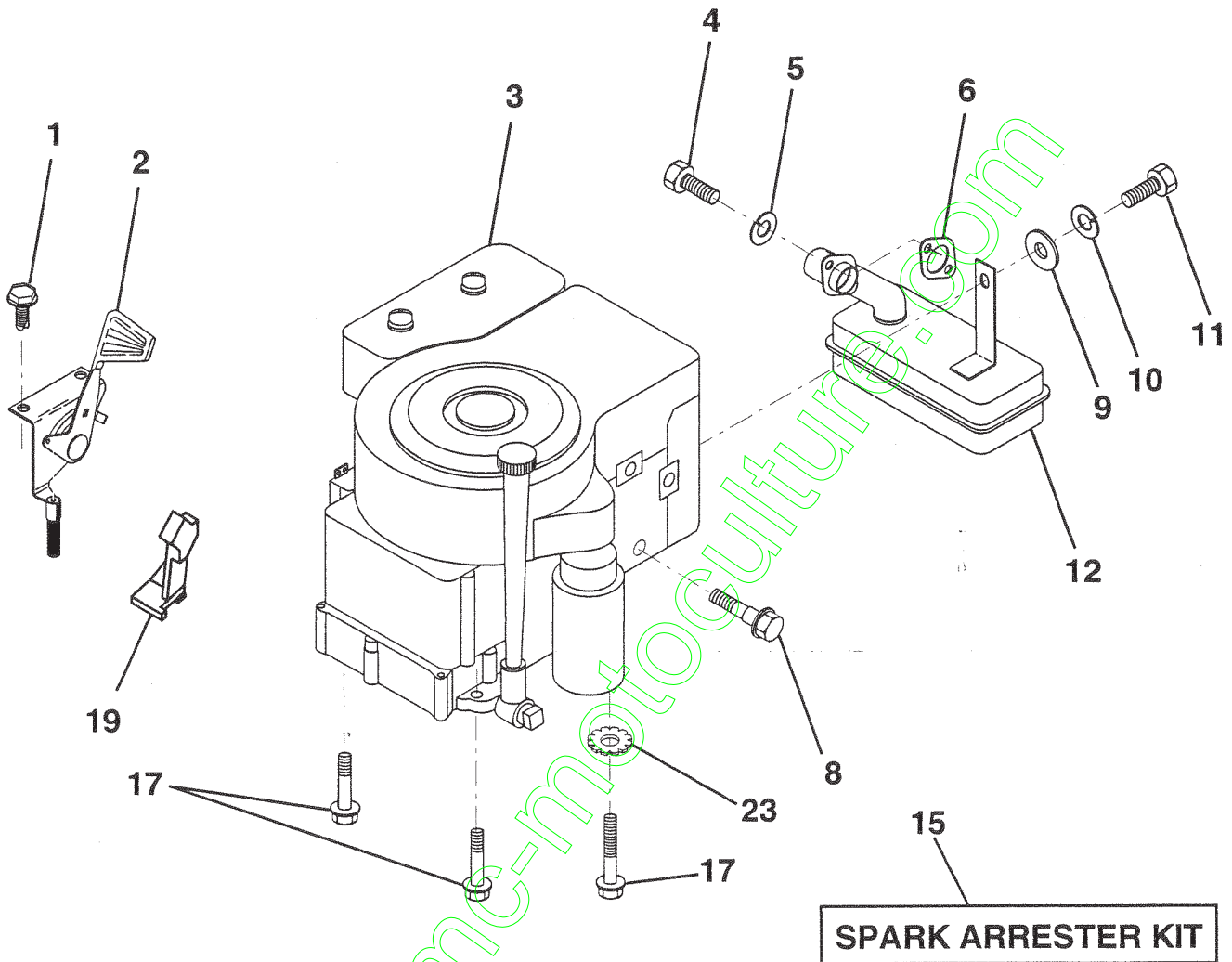
KEY NO.	PART NO.	DESCRIPTION	KEY NO.	PART NO.	DESCRIPTION
1	532071673	Cap, Plunger	15	532123641	Assembly, Brake, Pivot, Arm
2	532123436	Rod, Parking Brake	16	819251816	Washer 25/32 x 1-1/8 x 16 Gauge
3	532123437	Bracket, Parking Brake	17	812000034	Ring, Klip
4	532124872	Cover, Pedal	18	532106888	Spring, Brake Rod
5	532132205	Bracket, Clutch/Brake Pedal, L.H.	19	873800600	Nut, Lock Hex W/Ins 3/8-16
6	876020312	Pin, Cotter 3/32 x 3/4	20	873350600	Nut, Hex, Jam 3/8-16 UNC
7	819131016	Washer 13/32 x 5/8 x 16 Gauge	21	532131460	Rod, Brake, Rear
8	817490508	Screw, Hex Head, Thd., Roll 5/16-18 x 1/2	27	532136780	Link, Lift Rear
9	876020412	Pin, Cotter 1/8 x 3/4	28	532136779	Assembly, Rear Mower Lift
10	819131316	Washer 13/32 x 13/16 x 16 Gauge	29	872110506	Bolt, Carriage 5/16-18 UNC x 3/4
11	532123543	Rod, Brake, Front	30	873510500	Nut, Hex, Keps 5/16-16 UNC
12	532139934	Assembly, Clutch/Brake Pedal	31	532133095	Spring, Counterbalance
13	532123394	Rod, Clutch	32	532133721	Link, Lift Lever
14	532121978	Bracket, Lift Shaft	33	532124670	Spring, Retainer

HARDWARE SHOWN LARGER FOR EASIER IDENTIFICATION

REPAIR PARTS

12 HP 38" TRACTOR -- MODEL NUMBER BL1238TB

ENGINE / THROTTLE



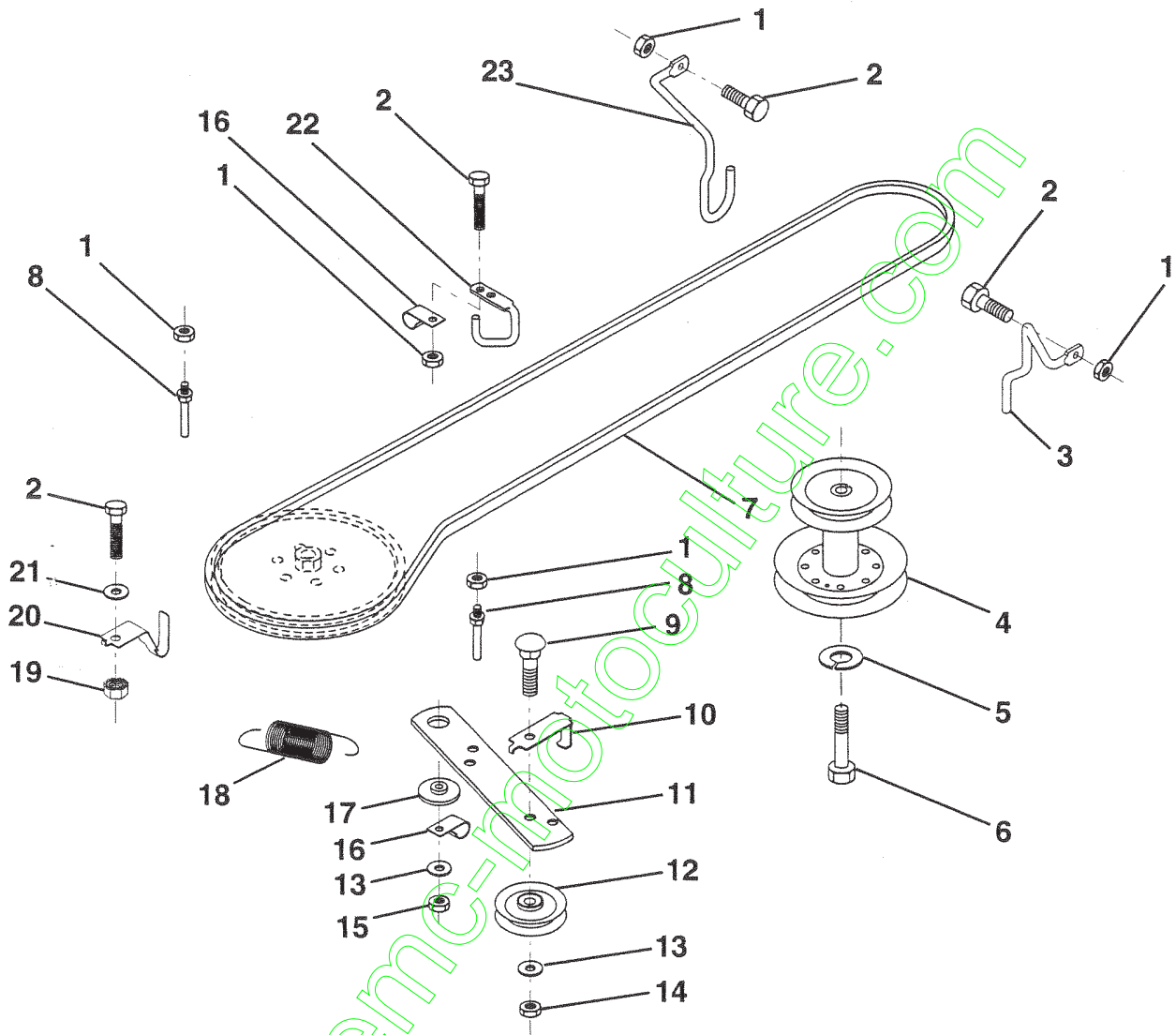
KEY NO.	PART NO.	DESCRIPTION	KEY NO.	PART NO.	DESCRIPTION
1	817060408	Screw, Hex Thd. Cut 1/4-20 x 1/2	10	810040400	Washer, Lock Heavy Helical Spring 1/4
2	532133025	Control, Throttle	11	-----	Bolt, Hex (Order from B & S)
3	-----	Engine, Briggs and Stratton Model No. 283707	12	532137437	Muffler
4	871070512	Screw, Hex, Cap 5/16-18 x 3/4	15	532137180	Arrester, Spark (Optional equipment)
5	810040500	Washer, Lock Heavy Helical Spring 5/16	17	817490624	Screw, Hex Wsh Hd Thdrol 3/8-16 x 1-1/2
6	532125593	Gasket, Exhaust	19	532127951	Stop, Throttle
8	532121094	Bolt, Shoulder 5/16	23	811050600	Washer Lock Hex Ext. Tooth 3/8
9	819101216	Washer 5/16 x 3/4 x 16			

HARDWARE SHOWN LARGER FOR EASIER IDENTIFICATION

REPAIR PARTS

12 HP 38" TRACTOR -- MODEL NUMBER BL1238TB

GROUND DRIVE



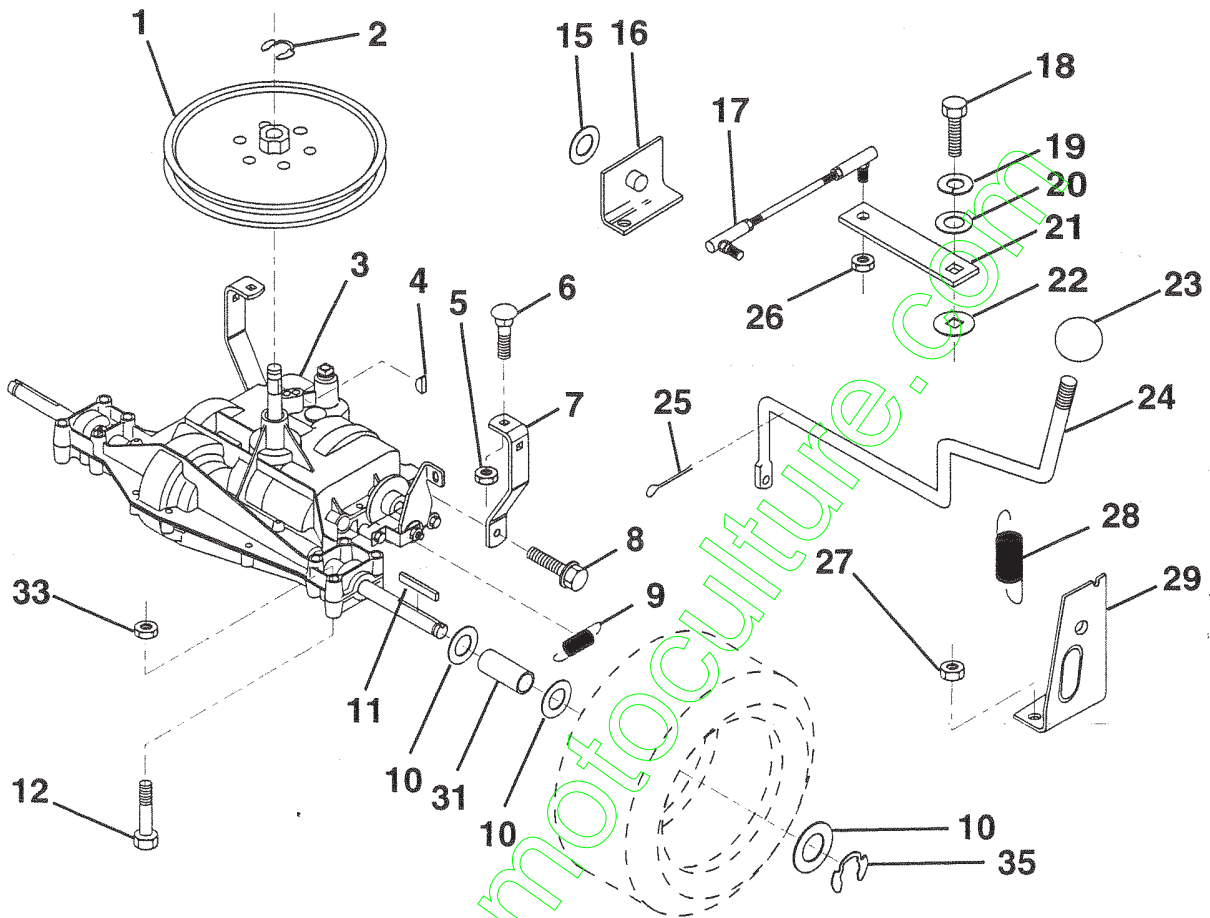
KEY NO.	PART NO.	DESCRIPTION	KEY NO.	PART NO.	DESCRIPTION
1	873800500	Nut, Lock Hex W/Wsh. 5/16-18	12	532123674	Idler, Flat
2	874760512	Bolt, Hex Hd 5/16-18 UNC x 3/4	13	819131316	Washer 13/32 x 13/16 x 16 Ga.
3	532141341	Keeper, Mower Drive, R. H.	14	873930600	Nut, Centerlock 3/8-16 UNC
4	532138029	Pulley, Engine	15	873800600	Nut, Lock Hex W/Ins. 3/8-16 UNC
5	810040700	Washer, Lock 7/16	16	532126472	Clip, Insulated
6	871170744	Bolt, Hex 7/16-20 Gr. 5	17	532122052	Spacer, Retainer
7	532124525	Traction, V-Belt Drive	18	532131459	Spring Extension
8	532123405	Keeper, T/A Ground Drive Belt	19	873510500	Nut, Keps 5/16-18 UNC
9	872140612	Bolt, Carr. 3/8-16 UNC x 1-1/2	20	532139919	Keeper, T/A Rear
10	532123396	Keeper, Belt Ground Drive Idler	21	819111016	Washer 11/32 x 5/8 x 16 Ga.
11	532123395	Arm, Ground Drive Clutch	22	532123404	Keeper, Frame Ground Drive Belt
			23	532142240	Keeper Belt LH

HARDWARE SHOWN LARGER FOR EASIER IDENTIFICATION

REPAIR PARTS

12 HP 38" TRACTOR - - MODEL NUMBER BL1238TB

TRANSAXLE



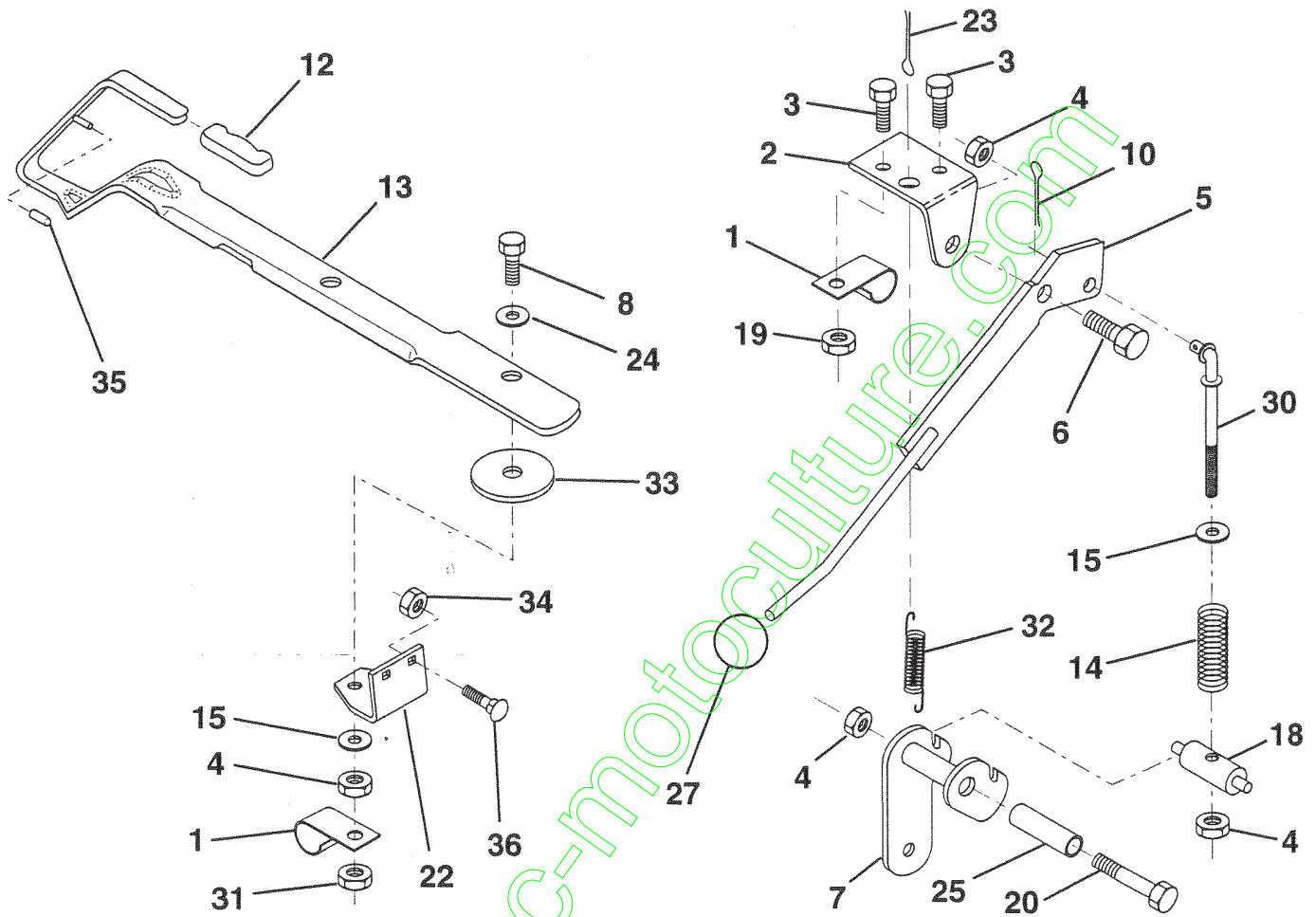
KEY NO.	PART NO.	DESCRIPTION	KEY NO.	PART NO.	DESCRIPTION
1	532123385	Pulley	18	871040412	Bolt, Fin Hex 1/4-28 UNF x 3/4 Gr. 8
2	812000028	Ring, Retainer	19	810040400	Washer, Lock 1/4
3	-----	Transaxle, Dana 6-Speed Model # D4360-79	20	819091210	Washer 9/32 x 3/4 x 10 Ga.
4	532125096	Key, Woodruff #9	21	532123539	Arm, Shift
5	873800500	Nut, Lock Hex W/Wsh. 5/16-18	22	532105701	Washer, Shift Plate
6	872140506	Bolt, Carriage 5/16-18 UNC x 3/4	23	532106933	Knob
7	532123378	Strap, Torque	24	532130714	Shift Rod
8	817490512	Screw 5/16-18 x 3/4	25	876020416	Pin, Cotter 1/8 x 1
9	532110422	Spring, Brake	26	873810500	Nut, Hex Nylon
10	532121749	Washer 25/32 x 1-1/4 x 16 Ga.	27	873510500	Nut, Keps 5/16-18
11	532123583	Key, Square	28	532128085	Extension, Spring
12	874760644	Bolt, Fin Hex 3/8-16 x 2-3/4	29	532128084	Support Handle Shift RH
15	819171616	Washer 17/32 x 1 x 16 Ga.	31	532109502	Spacer, Split
16	532124600	Support Handle Shift LH	33	873800600	Nut, Lock Hex W/Ins. 3/8-16
17	532123632	Link, Shift	35	812000001	E-Ring

HARDWARE SHOWN LARGER FOR EASIER IDENTIFICATION

REPAIR PARTS

12 HP 38" TRACTOR - - MODEL NUMBER BL1238TB

MOWER LIFT LEVER



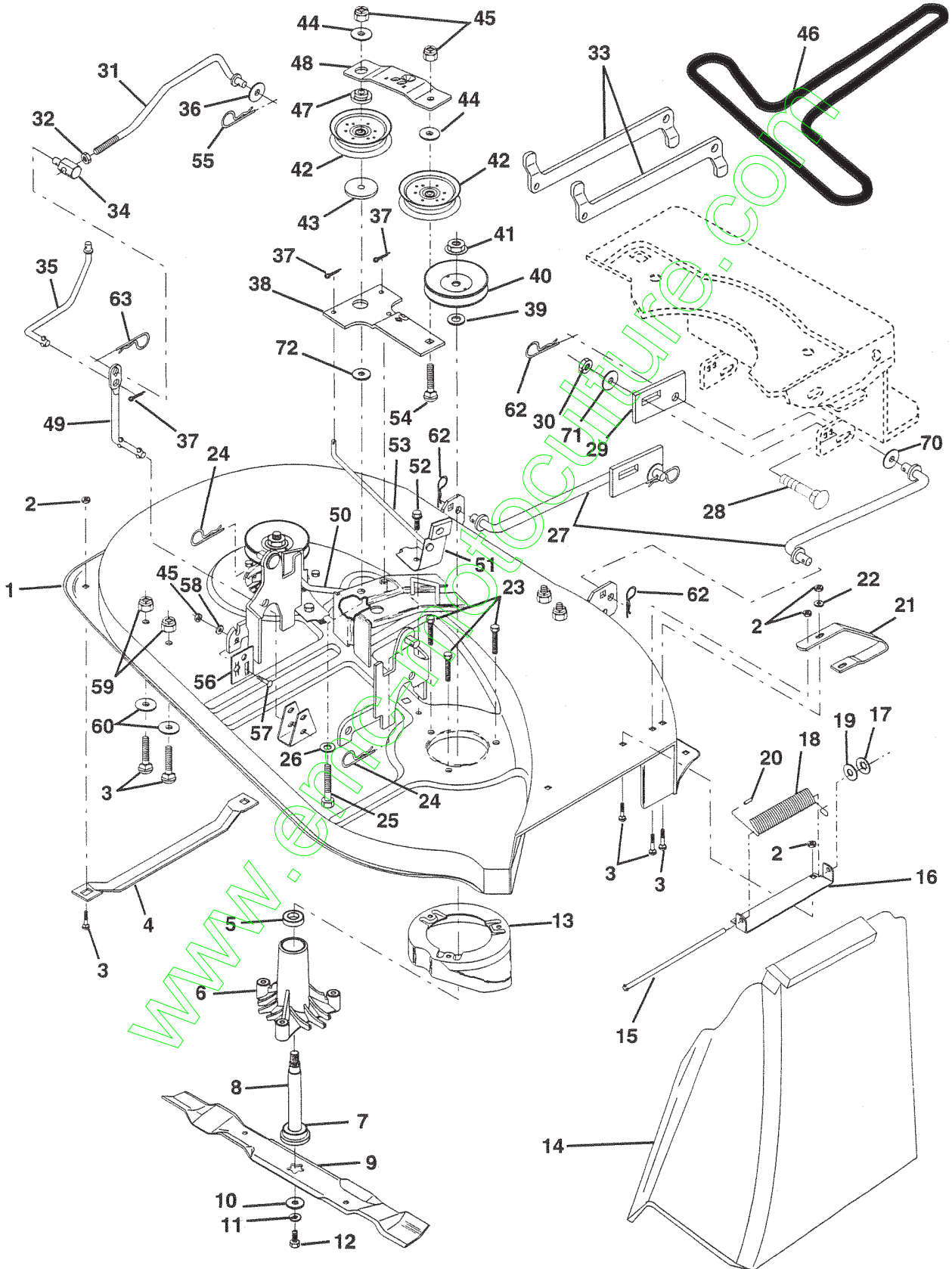
KEY NO.	PART NO.	DESCRIPTION	KEY NO.	PART NO.	DESCRIPTION
1	532126470	Clip, Insulated	19	873680400	Nut, Crownlock 1/4-20
2	532122018	Bracket, Mower Clutch	20	874760644	Bolt, Hex Head, Fin. 3/8-16 UNC x 2-3/4
3	874780408	Bolt, Hex Head, Fin. 1/4-20 UNC x 1/2 Grade 5	22	532132561	Bracket, Lift Lever
4	873800600	Nut, Lock Hex W/Ins. 3/8-16 UNC	23	876020312	Pin, Cotter 3/32 x 3/4
5	532132552	Assembly, Clutch Lever	24	532007672	Washer 25/64 x 1-1/4 x 12 Gauge
6	532106451	Bolt, Shoulder	25	532121933	Tube, Spacer
7	532135110	Assembly, Mower Clutch Arm	27	532121466	Knob
8	874930624	Bolt, Hex Head 3/8-16 UNC x 1-1/2	30	532135039	Rod, Tension, Clutch
10	876020412	Pin, Cotter 1/8 x 3/4	31	873930600	Nut, Centerlock
12	532122027	Handle, Lift Lever	32	532133435	Spring, Extension, Return
13	532136658	Assembly, Lift Handle	33	532062333	Washer
14	532133939	Spring, Compression	34	873800500	Nut, Lock Hex W/Wsh. 5/16-18
15	819131616	Washer 13/32 x 1 x 11 Gauge	35	532133603	Cap, Vinyl, Red
18	532135107	Trunnion, Threaded 3/8-16	36	872140506	Bolt, Carriage 5/16-18 x 3/4

HARDWARE SHOWN LARGER FOR EASIER IDENTIFICATION

REPAIR PARTS

12 HP 38" TRACTOR -- MODEL NUMBER BL1238TB

MOWER DECK



REPAIR PARTS

12 HP 38" TRACTOR - - MODEL NUMBER BL1238TB

MOWER DECK

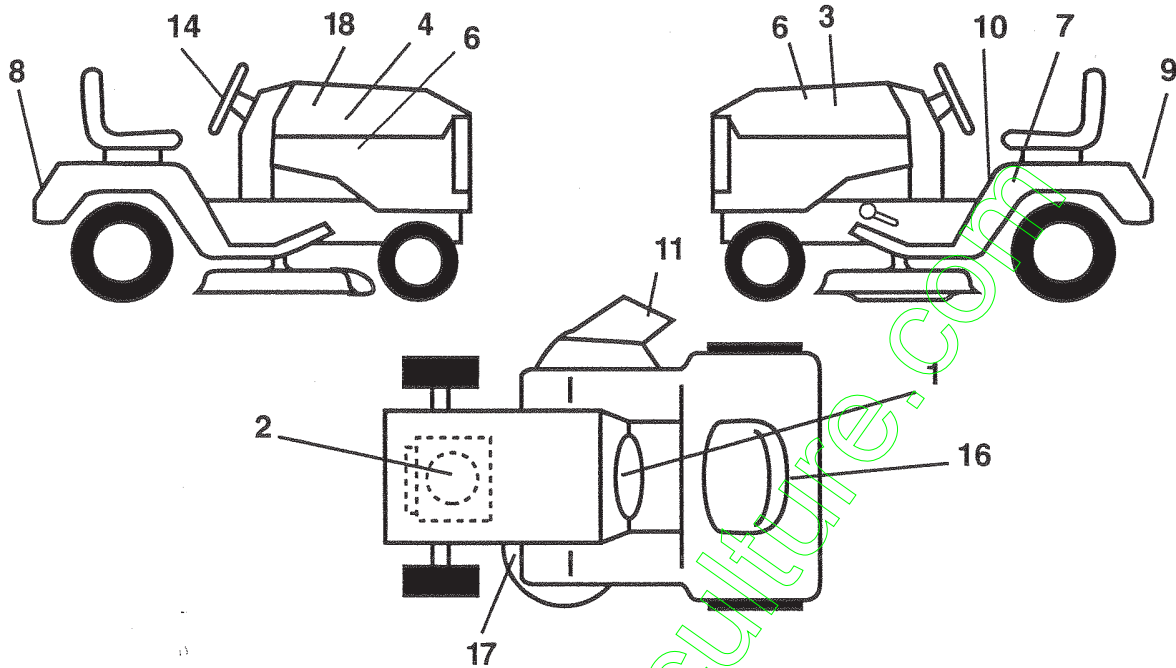
KEY NO.	PART NO.	DESCRIPTION	KEY NO.	PART NO.	DESCRIPTION
1	532142830	Mower Deck Assembly	35	532132554	Clutch Rod, Secondary
2	873800500	Nut, Lock Hex 5/16-18	36	819131316	Washer 13/32 x 13/16 x 16 Gauge
3	872140506	Bolt, Carriage 5/16-18 x 3/4	37	876020312	Pin, Cotter 3/32 x 3/4
4	532125074	Runner, L.H.	38	532133840	Idler Arm
5	532110485	Bearing	39	532129963	Washer .150 Thick
6	532128774	Housing, Mandrel	40	532129206	Pulley, Mandrel
7	532129895	Bearing	41	532137266	Nut, Flangelock 9/16
8	532137645	Shaft and Bearing Assembly, Mandrel (Includes Key Number 7)	42	532121316	Pulley, Flat Idler
9	532134148	Blade, 38" Mulching	43	532122052	Spacer, Retainer
10	532140296	Washer, Hardened	44	819131612	Washer 13/32 x 1 x 12 Gauge
11	810030600	Washer, Lock 3/8	45	873800600	Nut, Lock Hex W/Ins. 3/8-16
12	532850857	Bolt, Hex 3/8-24 x 1-1/4 Grade 8	46	532126520	Belt
13	532136929	Stripper, Mower, Vented	47	532133502	Spacer, Idler Arm
14	532106736	Shield, Deflector	48	532133503	Stiffener, Idler Arm
15	532106735	Rod, Hinge	49	532133551	Rod, Pivot
16	532137607	Bracket Assembly, Deflector	50	532131289	Rod, Brake, L.H.
17	532110452	Pushnut	51	532130840	Brake Assembly
18	532123713	Spring, Deflector	52	817490512	Screw, Hex Washer Head, Thd., Roll. 5/16-18 x 3/4
19	819111016	Washer 11/32 x 5/8 x 16 Gauge	53	532131288	Rod, Brake, R.H.
20	532105304	Cap, Sleeve	54	872110614	Bolt, Carriage 3/8-16 x 1-3/4 Grade 5
21	532128772	Runner, R.H.	55	532124961	Spring, Retainer
22	819111216	Washer 11/32 x 3/4 x 16 Gauge	56	532136782	Plate Adj. Link Rear LH
23	817580520	Bolt 5/16-18 x 1.25	57	872140608	Bolt Rdhd Sqnk 3/8-16 Unc x 1
24	532124670	Retainer, Spring	58	819131212	Washer 13/32 x 3/4 x 12 Ga.
25	874600636	Bolt, Carriage 3/8-16 x 2-1/4	59	873800500	Locknut Hex w/Ins. 5/16-18
26	819131612	Washer 13/32 x 1 x 12 Gauge	60	819111112	Washer 11/32 x 11/16 x 16 Ga.
27	532139756	Link Assembly, Front	62	532124660	Retainer Spring
28	872140608	Bolt, Rdhd Sqnk 3/8 - 16 x 1	63	532124788	Spring, Retainer
29	532139757	Plate Slide Link	70	819162016	Washer 1/2 x 1-1/4 x 16 Ga.
30	873800600	Nut, Lock Hex w/Washer 1/2-13 UNC	71	819131610	Washer Flat 13/32 x 1 x 10 Ga.
31	532132553	Clutch Rod, Primary	72	532133943	Washer Hardened
32	873350600	Nut, Hex, Jam 3/8-16	--	532130794	Mandrel Assembly (Includes Key Numbers 5-8, 10-12, 39 and 41)
33	532132559	Arm, Suspension, Rear	--	532142862	Mower Deck, Complete
34	532133604	Trunnion 3/8-16			

HARDWARE SHOWN LARGER FOR EASIER IDENTIFICATION

REPAIR PARTS

12 HP 38" TRACTOR -- MODEL NUMBER BL1238TB

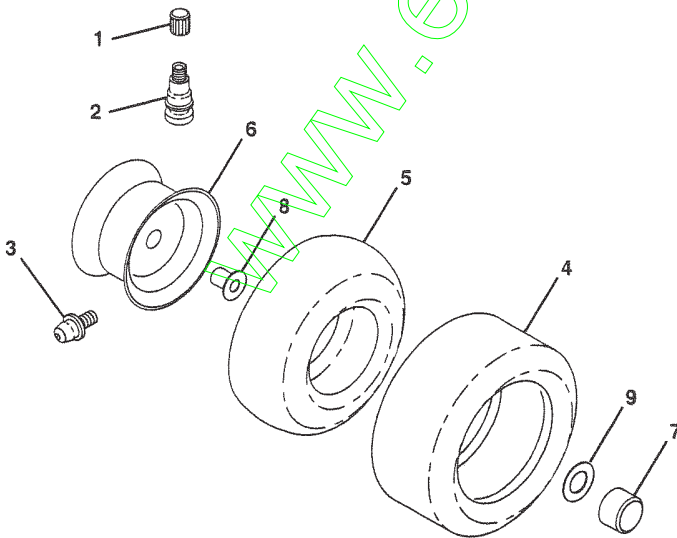
DECALS



KEY NO.	PART NO.	DESCRIPTION
1	532138269	Decal, Operating
2	532120601	Decal, Engine
3	532125816	Decal, Hood Stipe L.H.
4	532125817	Decal, Hood Stipe R.H.
6	532138365	Decal Side Panel
7	532135073	Height Indicator
8	532125819	Decal, Fender

KEY NO.	PART NO.	DESCRIPTION
9	532125690	Decal, 100 DBA
10	532133795	Decal, Caution
11	532137259	Decal, Warning, Deflector
14	532125835	Decal, Steering Wheel Insert
16	532121549	Decal, Caution Battery
17	532136830	Decal, V-Belt Sch.
18	532144309	Decal, Conformance
--	532141356	Manual, Operator's
Available accessories not included with tractor:		
--	CE38	Grass Catcher
--	MP38	Mulch Plate

WHEELS & TIRE



KEY NO.	PART NO.	DESCRIPTION
1	532059192	Cap, Valve
2	532065139	Stem, Valve
3	532124957	Fitting, Grease
4	532132703	Tire, Rear
	532137422	Tire, Front
5	532008134	Tube, Rear (Opt. Serv. Items Only)
	532059904	Tube, Front (Opt. Serv. Items Only)
6	532141472	Rim, Front
	532141268	Rim, Rear
7	532104757	Cap, Axle
8	532124959	Bearing, Flange (Front Wheels Only)
9	532121748	Washer

HARDWARE SHOWN LARGER FOR EASIER IDENTIFICATION