

**CATALOGUE PIECES DE RECHANGE**

**BERNARD Loisirs**

**TRACTEUR DE PELOUSE**

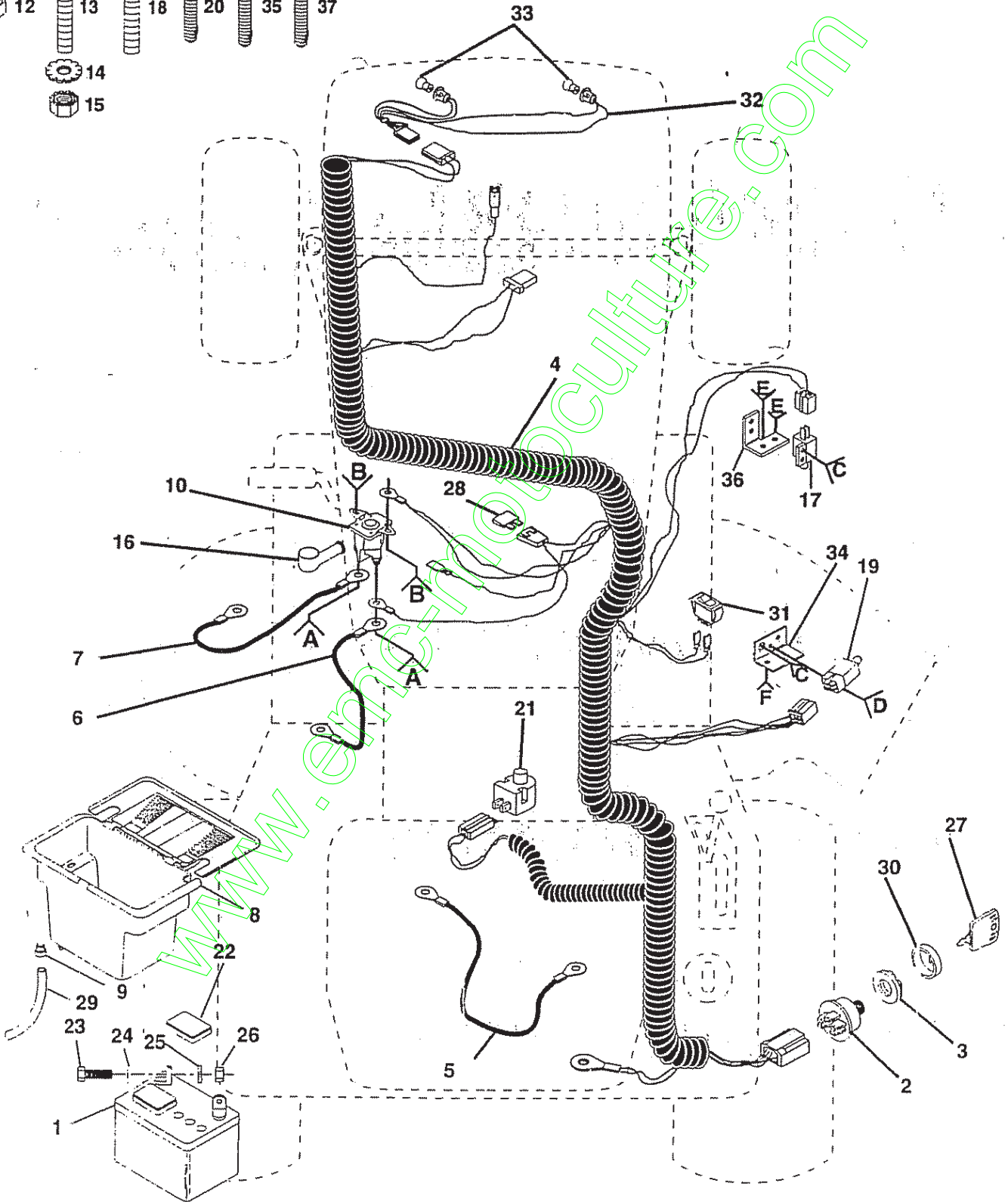
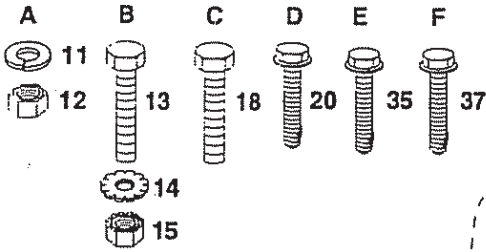
**MODELE BL 1238 XP**

**N° DE PRODUIT : 9540023-11**

# REPAIR PARTS

12 HP 38" TRACTOR -- MODEL NO. BL1238E, PRODUCT NO. 954 00 23-11

## ELECTRICAL



# REPAIR PARTS

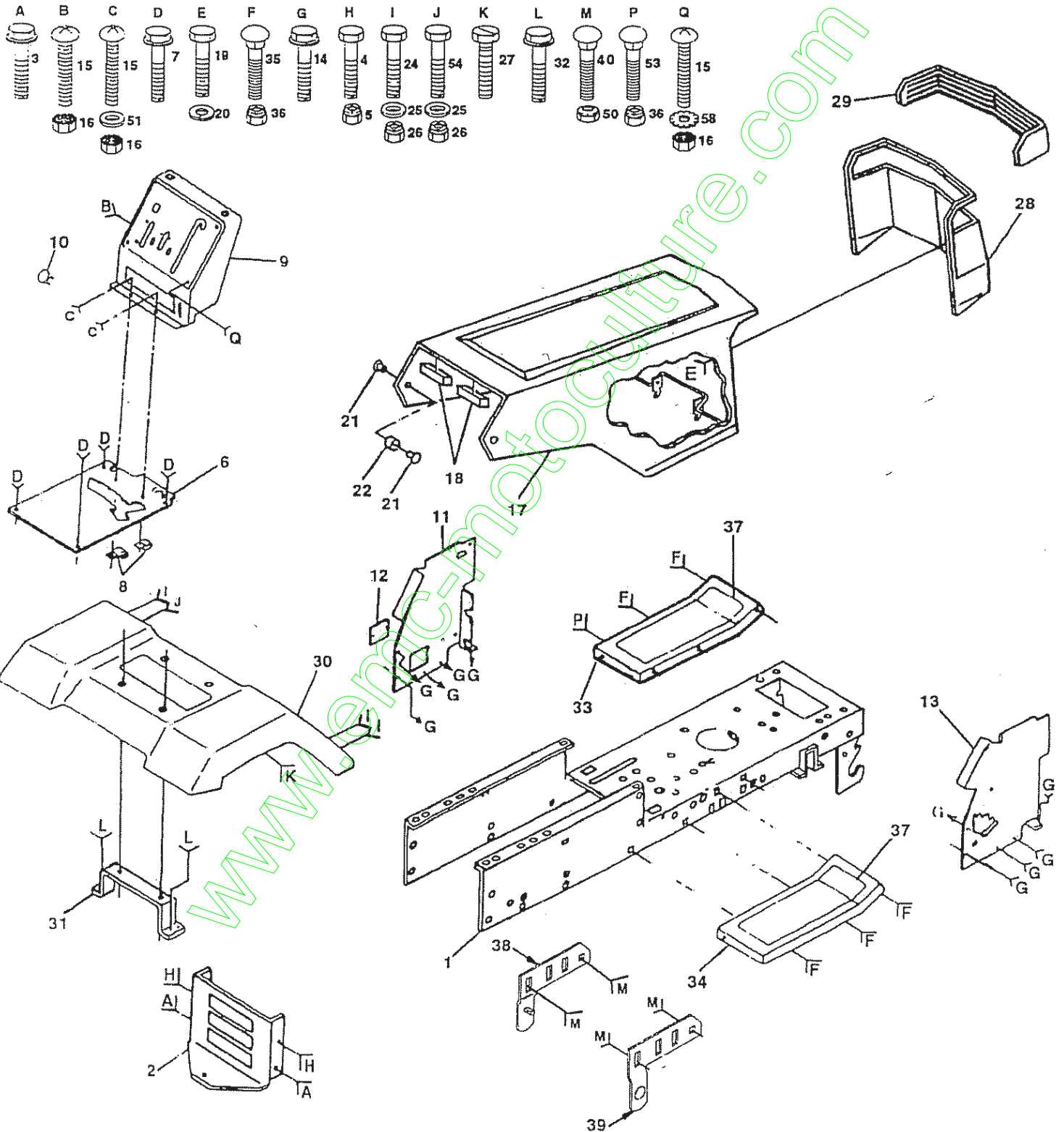
12 HP 38" TRACTOR - - MODEL NO. BL1238E, PRODUCT NO. 954 00 23-11  
ELECTRICAL

KEY PART NO.	NO.	DESCRIPTION
1	532121265	Battery 12v 25 AMP
2	532125104	Switch Ign 5 Term Wo/wash/nut
3	532124211	Nut Ignition
4	532132653	Harness Ign B&S Fender HI
5	532124773	Cable Ground 6 Ga 12"black
6	532132202	Cable Battery 6 Ga 43"red
7	532124780	Cable Battery 6 Ga 11"red
8	532129965	Case Battery Hng Mech W/lid
9	532109596	CLAMP Hose Olive
10	532109081	Solenoid
11	810090400	Washer Lock 1/4
12	873350400	Nut Jam Hex 1/4-20 Unc
13	874780408	Bolt
14	811050400	Washer Lock Ext Tooth 1/4
15	873510400	Nut Keps Hex 1/4-20 Unc
16	532131563	Cover Terminal Red
17	532109553	Switch Intlk Clutch Red 4 Term
18	817021008	Screw Tap Hex #10-24unc X 1/2
19	532104445	Switch Intlk Clutch Red 2 Term
20	817021008	Screw Tap Hex #10-24unc X 1/2
21	532121305	Switch Plunger Nc Gray
22	532121264	Caps Battery 20/25/30 AMP
23	874760412	Bolt Hex Hd 1/4-20unc X 3/4
24	819091016	Washer 9/32 X 5/8 X 16 Ga
25	810040400	Washer Lock Hvy Helical 1/4
26	873220400	Nut Fin Hex 1/4-20 Unc
27	532122147	Key Ign Molded Generic
28	532108824	Fuse 30 AMP Auto Green
29	532109238	Tube Plastic 12"
30	532123620	Cover Sw Key Blk 1 25 Text SLT
31	532110712	Switch Light Blk Blk Red
32	532127441	Harness Socket Light
33	532124893	Bulb Light #1141
34	532108236	Bracket Switch Clutch
35	817021008	Screw Tap Hex #10-24unc X 1/2
36	532130890	Bracket Switch Interlock
37	817021008	Screw Tap Hex #10-24unc X 1/2

NOTE: All component dimensions given in U.S. inches.  
1 inch = 25.4 mm.

# REPAIR PARTS

12 HP 38" TRACTOR - - MODEL NO. BL1238E, PRODUCT NO. 954 00 23-11  
CHASSIS AND ENCLOSURES



# REPAIR PARTS

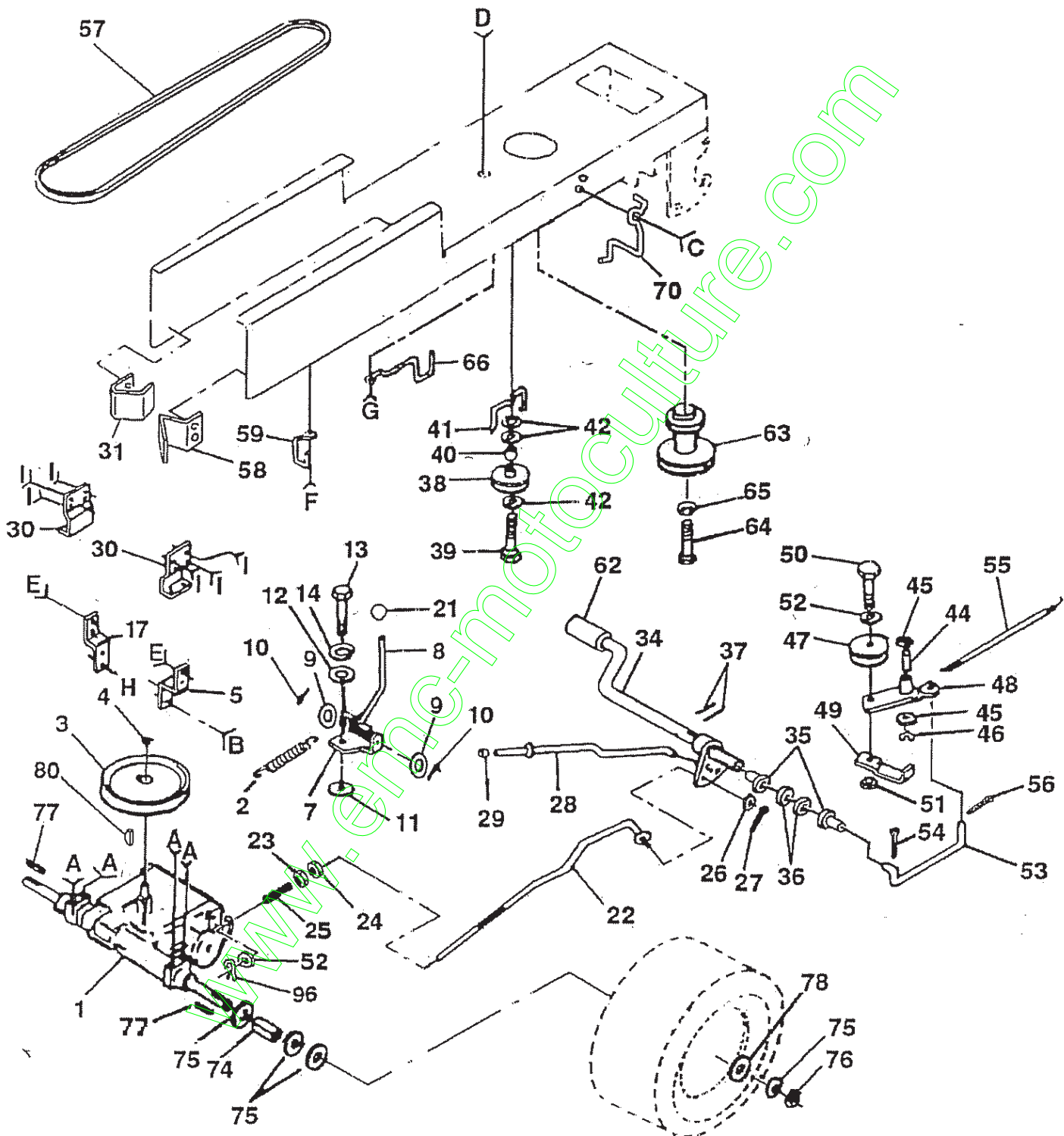
12 HP 38" TRACTOR - - MODEL NO. BL1238E, PRODUCT NO. 954 00 23-11  
CHASSIS AND ENCLOSURES

KEY NO.	PART NO.	DESCRIPTION
1	532135034	Chassis Wldmt 12 Ga 38/42 W/pvt
2	532137275	Drawbar, Stretch
3	817490612	Screw Thdrol 3/8-16x3/4 Ty-tt
4	874760612	Bolt Fin Hex 3/8-16unc X 3/4
5	873680600	Nut Crownlock 3/8-16 Unc
6	532138333	Saddle Slk 5sp P Sym S/s Non/s
7	817490608	Screw Thdrol 3/8-16x1/2 Ty-tt
8	532124996	Clip Line Fuel 13/32 Mtg Hole
9	532125447	Dash Slkscr 1-pc M W/I N/c Sym
10	532005479	Plug Button Blk 359 Dia Choke
11	532122795	Panel Dash LH
12	532121794	Cover Access Black Square
13	532124829	Panel Slkscr Dash RH Wld Notch
14	817490608	Screw Thdrol 3/8-16x1/2 Ty-tt
15	874180512	Screw Mach TRHD 5/16-18uncx3/4
16	873510500	Nut Keps 5/16-18 Unc
17	532125153	Hood Asm Pnt Weld Yel Slope
18	532126938	Bumper Hood
19	874760408	Bolt Fin Hex 1/4-20unc X 1/2
20	810040400	Washer Lock Hvy Helical 1/4
21	532122933	Rivet Ratchet
22	532124479	Washer Nylon Blk 28x 75x 19
24	874760612	Bolt Fin Hex 3/8-16unc X 3/4
25	819131312	Washer 13/32 X 13/16 X 12 Ga
26	873680600	Nut Crownlock 3/8-16 Unc
27	817490608	Screw Thdrol 3/8-16x1/2 Ty-tt
28	532123916	Grille Grey
29	532124029	Lens Headlight Bar Clear
30	532124887	Fender Pnt
31	532136619	Bracket Fender Repl 109873x
32	817490612	Screw Thdrol
33	532124899	Footrest Pnt LH (Husq Gray)
34	532124914	Footrest Pnt RH (Husq Gray)
35	872110606	Bolt Rdhd Sht Sqnk 3/8-16 X3/4
36	873680600	Nut Crownlock 3/8-16 Unc
37	532126333	Pad Footrest Abrasive 10 750
38	532134618	Bracket Asm Pvt38 LH MWR Rear
39	532134617	Bracket Asm Pvt38 RH MWR Rear
40	872140608	Bolt Rdhd Sqnk 3/8-16unc X1
50	873800600	Nut Lock Hex W/wsh 3/8-16unc
51	819131216	Washer 13/32 X 3/4 X 16 Ga
53	872140608	Bolt Rdhd Sqnk 3/8-16unc X 1
54	874760614	Bolt Fin Hex 3/8-16unc X 7/8
58	811050600	Washer Lock Ext. Tooth 3/8

NOTE: All component dimensions given in U.S. inches  
1 inch = 25.4 mm.

# REPAIR PARTS

12 HP 38" TRACTOR - - MODEL NO. BL1238E, PRODUCT NO. 954 00 23-11  
DRIVE



- |          |          |          |          |          |          |          |          |          |
|----------|----------|----------|----------|----------|----------|----------|----------|----------|
| <b>A</b> | <b>B</b> | <b>C</b> | <b>D</b> | <b>E</b> | <b>F</b> | <b>G</b> | <b>H</b> | <b>I</b> |
|          |          |          |          |          |          |          |          |          |
|          |          |          |          |          |          |          |          |          |
|          |          |          |          |          |          |          |          |          |

# REPAIR PARTS

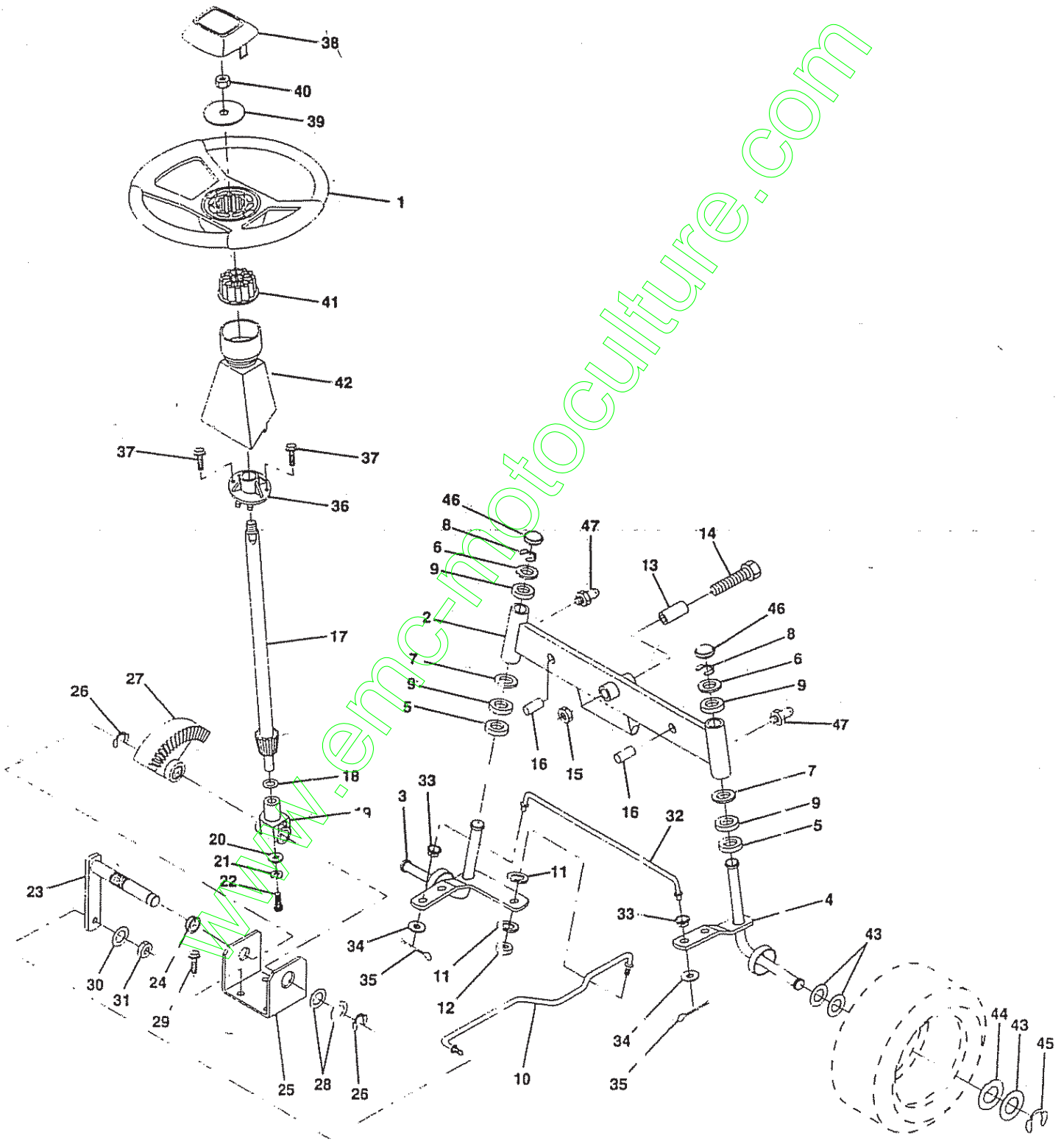
12 HP 38" TRACTOR - - MODEL NO. BL1238E, PRODUCT NO. 954 00 23-11  
DRIVE

KEY NO.	PART NO.	DESCRIPTION	KEY NO.	PART NO.	DESCRIPTION
1	-----	Transaxle 5sp 930 Peerless LT Model No 930-009	41	532109070	Keeper Belt Retainer
2	532110422	Spring Return Brake T/a Zinc	42	819131312	Washer 13/32 X 13/16 X 12 Ga
3	532123666	Pulley Transaxle 18"tires	43	873680600	Nut Crownlock 3/8-16 Unc
4	812000028	Ring Retainer # 5100-62	44	532105706	Bearing Nyl 503 X 628 X 1 25
5	532121520	Strap Torque 30 Degrees	45	532110812	Washer Hardened
6	817490512	Screw Thdrol 5/16-18 X 3/4 TYT	46	812000039	Ring Klip #15304-50
7	532106919	Plate Rod Shift T/a	47	532127783	Pulley Idler V Groove Plastic
8	532133428	Rod Shift Blk Peerless 930	48	532123789	Bellcrank Asm Clutch
9	819151216	Washer 15/32 X 3/4 X 16 Ga	49	532123205	Retainer Belt Style Spring
10	876020416	Pin Cotter 1/8 X 1 Cad	50	874760624	Bolt Hex Hd 3/8-16unc X 1-1/2
11	532105701	Washer Plate Shf 388 Sq Hole	51	873680600	Nut Crownlock 3/8-16 Unc
12	819091210	Washer 9/32 X 3/4 X 10 Ga	52	819131316	Washer 13/32 X 13/16 X 16 Ga
13	871040412	Bolt Fin Hex 1/4-28unfx3/4 Gr8	53	532105710	Link Clutch 7 66
14	810040400	Washer Lock Hvy Helical 1/4	54	876020412	Pin Cotter 1/8 X 3/4 Cad
15	874760540	Bolt Fin Hex 5/16-18uncx 2-1/2	55	532105709	Spring Return Clutch 6 75
16	873680500	Nut Crown Lock 5/16-18	56	876020412	Pin Cotter 1/8 X 3/4 Cad
17	532121520	Strap Torque 30 Degrees	57	532125907	V-Belt Ground Drive 90 00
18	874760612	Bolt Fin Hex 3/8-16unc X 3/4	58	532127274	Keeper Belt RH LT Pnt/zinc 16g
19	873680600	Nut Crownlock 3/8-16 Unc	59	532136715	Keeper Belt Chassis Span Ctr
20	81749	Screw Thdrol 5/16-18 X 3/4 TYT	60	819131312	Washer 13/32 X 13/16 X 12 Ga
21	532106933	Knob Rd 1/2-13 Plstc Thds Blk	61	817490612	Screw Thdrol 3/8-16x3/4 Ty-tt
22	532131867	Rod Brake LT	62	532124872	Cover Pedal Blk Round
23	873800600	Nut Lock Hex W/wsh 3/8-16unc	63	532134825	Engine Pulley LT/YT
24	873350600	Nut Hex Jam 3/8-16 Unc	64	871170764	Bolt Hex 7/16-20x4 Gr 5
25	532106888	Spring Rod Brake 2 00 Zinc	65	810040700	Washer Lock Hvy Hicl Spr 7/16
26	819131316	Washer 13/32 X 13/16 X 16 Ga	66	532129921	Keeper Belt Engine LH LT
27	876020412	Pin Cotter 1/8 X 3/4 Cad	67	874760616	Bolt Fin Hex 3/8-16unc X 1
28	532128904	Rod Brake Parking LT	68	819131312	Washer 13/32 X 13/16 X 12 Ga
29	532071673	Cap Brake Parking Black	69	873680600	Nut Crownlock 3/8-16 Unc
30	532109167	Bracket Transmission	70	532134683	Guide Belt Mower Drive RH
31	532127275	Keeper Belt LH LT 14 Ga	71	874760616	Bolt Fin Hex 3/8-16unc X 1
32	874760612	Bolt Fin Hex 3/8-16unc X 3/4	72	819132012	Washer 13/32 X 1-1/4 X 12 Ga
33	873680600	Nut Crownlock 3/8-16 Unc	73	873680600	Nut Crownlock 3/8-16 Unc
34	532122424	Shaft Asm Pedal Foot 1 930	74	532137057	Spacer Axle
35	532120183	Bearing Nylon Blk 629 Id	75	532121749	Washer 25/32 X 1 1/4 X 16 Ga
36	819211616	Washer 21/32 X 1 X 16 Ga	76	812000001	E-ring #5133-75
37	532124963	Pin Roll 3/16 X 1 "	77	532123583	Key Square 2 0 X 1845/ 1865
38	532123674	Pulley Idler Flat	78	532121748	Washer 25/32 X 1-5/8 X 16 Ga
39	874760644	Bolt Fin Hex 3/8-16unc X 2-3/4	79	819111116	Washer 11/32 X 11/16 X 16 Ga
40	532124965	Spacer Split 395 X 59 Bzp	80	532125096	Key Woodruff #9 3/16 X 3/4
			96	532124788	Retainer Spring

NOTE: All component dimensions given in U.S. inches  
1 inch = 25.4 mm

# REPAIR PARTS

12 HP 38" TRACTOR - - MODEL NO. BL1238E, PRODUCT NO. 954 00 23-11  
STEERING ASSEMBLY





# REPAIR PARTS

12 HP 38" TRACTOR - - MODEL NO. BL1238E, PRODUCT NO. 954 00 23-11  
STEERING ASSEMBLY

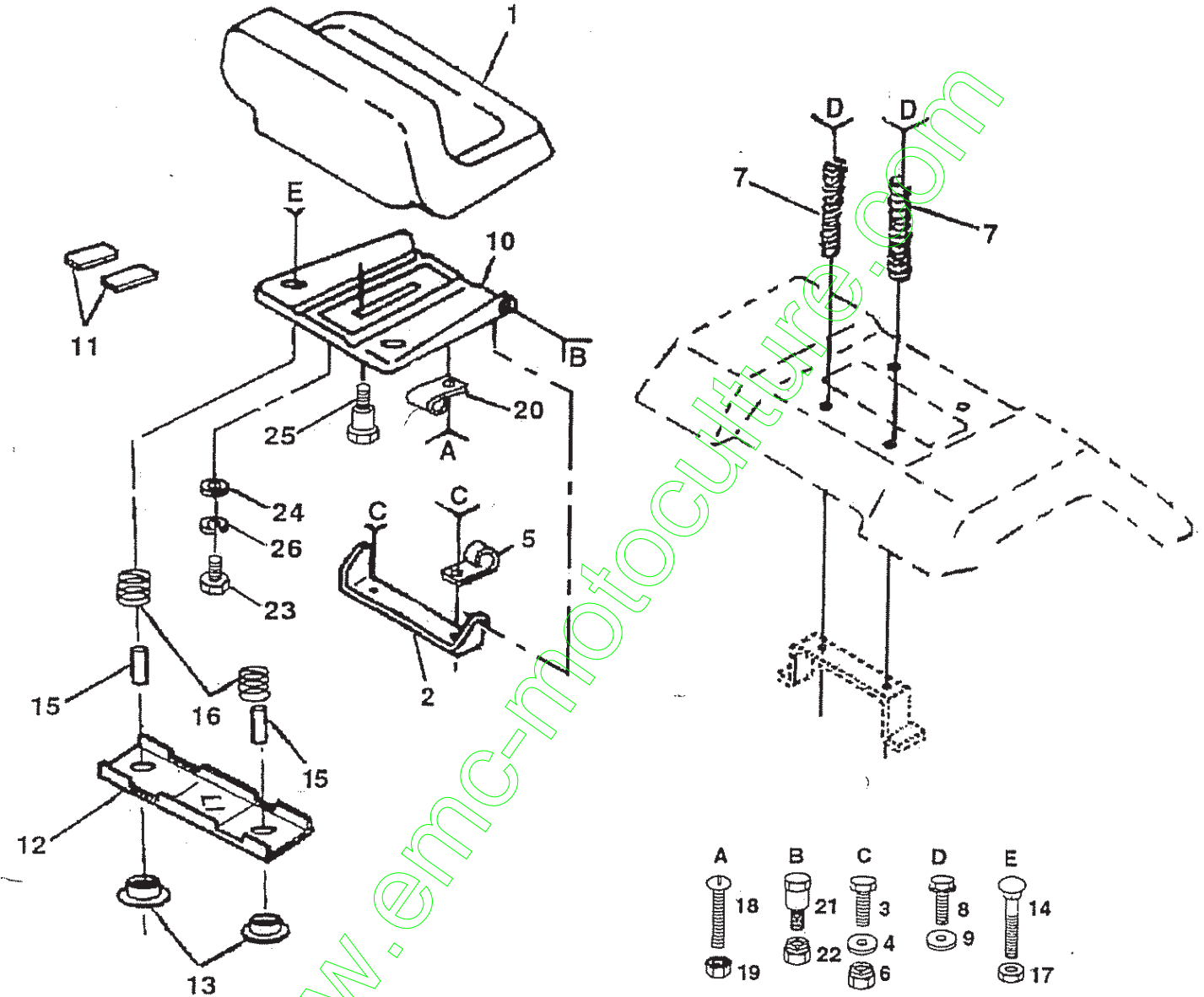
KEY NO.	PART NO.	DESCRIPTION
1	532133741	Wheel Steering App/kelch Blk
2	532133988	Axle Asm Fr LT W/gzks 38/42
3	532135227	Spindle Asm LH
4	532135228	Spindle Asm RH
5	532124931	Bearing Race Thrust Harden
6	532121748	Washer 25/32 X 1-5/8 X 16 Ga
7	819272016	Washer 27/32 X 1-1/4 X 16 Ga
8	812000029	Ring Klip #t5304-75
9	532124937	Bearing Col Strg Blk
10	532130468	Link Drag Sol Ball Jt 20 064
11	810040600	Washer Lock Hvy Hlcl Spr 3/8
12	873610600	Nut Fin Hex 3/8-24 Unf
13	532110438	Spacer Bearing Axle Front
14	874011056	Bolt Hex 5/8-11 Unc X 3-1/2
15	873901000	Nut Lock Flange 5/8-11 Unc
16	532132624	Pin Axle 5/8 X 1 55/1 54 Lg
17	532132614	Shaft Asm Strg 5/8 X 15 19 LT
18	532057079	Washer Thrust 515x 750x 033
19	532124035	Support Shaft
20	532126684	Washer Shim 1/4 X 5/8 X 062
21	810040400	Washer Lock Hvy Helical 1/4
22	871070410	Screw Hex Socket 1/4-20 X 5/8
23	532127501	Shaft Asm Pittman
24	532109816	Nyliner Snap In
25	532124036	Bracket Steering
26	812000029	Ring Klip #t5304-75
27	532124034	Gear Sector
28	532124931	Bearing Race Thrust Harden
29	817490612	Screw Thdrol 3/8-16x3/4 Ty-tt
30	810040600	Washer Lock Hvy Hlcl Spr 3/8
31	873610600	Nut Fin Hex 3/8-24 Unf
32	532130465	Rod Tie Wire Form 19 75 Mech
33	532126847	Bushing Link Drag Blk LR
34	819131416	Washer 13/32 X 7/8 X 16 Ga
35	876020412	Pin Cotter 1/8 X 3/4 Cad
36	532132196	Bushing Strg 5/8 Id Dash
37	817431008	Screw Slftp #10-16 X 1/2 Ty-b
38	532100710	Insert Cap Strg Wheel Std Blk
39	819133808	Washer 13/32 X 2-3/8 X 8 Ga
40	532124701	Nut Lock Center 3/8-24unf
41	532104820	Adaptor Wheel Strg 640/ 635id
42	532124418	Boot Shaft Steering Blk
43	532121749	Washer 25/32 X 1 1/4 X 16 Ga
44	532121748	Washer 25/32 X 1-5/8 X 16 Ga
45	812000029	Ring Klip #t5304-75
46	532121232	Cap Spindle Fr Top Blk
47	532124836	Fitting Grease

NOTE: All component dimensions given in U.S. inches.  
1 inch = 25.4 mm

# REPAIR PARTS

12 HP 38" TRACTOR - - MODEL NO. BL1238E, PRODUCT NO. 954 00 23-11

## SEAT ASSEMBLY



KEY NO.	PART NO.	DESCRIPTION
1	532127427	Seat V350 Blk/blk Std
2	532126656	Bracket Pivot Seat 8 720
3	874760612	Bolt Fin Hex 3/8-16unc X 3/4
4	819131610	Washer 13/32 X 1 X 10 Ga
5	532124996	Clip Line Fuel 13/32 Mtg Hole
6	873680600	Nut Crownlock 3/8-16 Unc
7	532124181	Spring Seat Cprsn 2 250 Blk Zi
8	817490616	Screw Thdrol 3/8-16 X 1 Ty-tt
9	819131614	Washer 13/32 X 1 X 14 Ga
10	532131451	Pan Seat
11	532121251	Strip Foam Gray Or Black
12	532121246	Bracket Mounting Switch
13	532121248	Bushing Snap Blk Nyl 50 Id

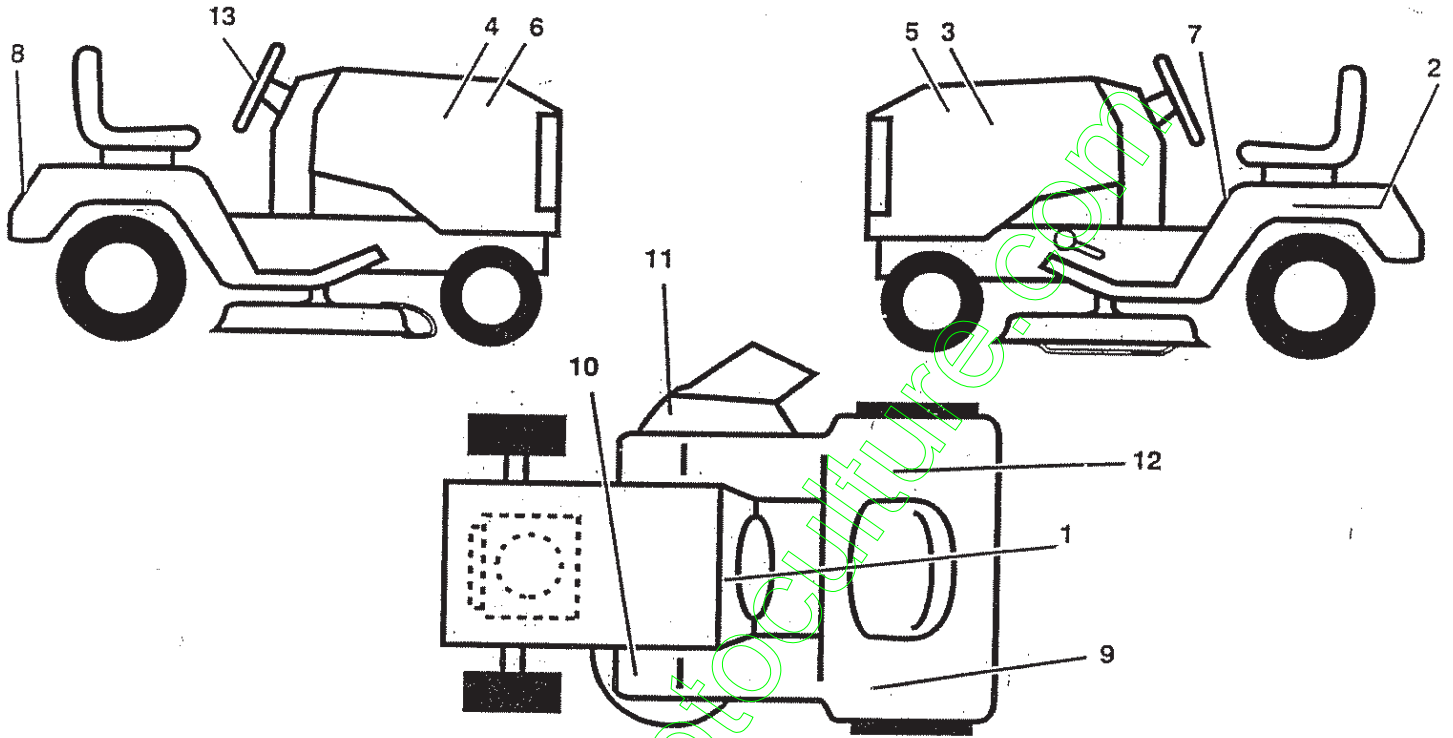
KEY NO.	PART NO.	DESCRIPTION
14	872050411	Bolt Rdhd Sht Nk 1/4-20x1-3/8
15	532134300	Spacer Split 28x 96 Yel Zinc
16	532121250	Spring Cprsn 1 27 Blk Pnt
17	532123976	Nut Lock 1/4 Lge Flg Gr 5 Zinc
18	874641008	Screw SLTD Pan Hd #10-32 X 1/2
19	873951000	Nut Keps #10-32 Unf
20	532124967	Clip Insulated 11/32 Mtg Hole
21	532105529	Bolt Shoulder 5/16-18 Unc Blkz
22	873680500	Nut Crown Lock 5/16-18
23	874780814	Bolt Hex 1/2-13 x 7/8
24	819171912	Washer 17/32 X 1-3/16 X 12 Ga
25	532127018	Bolt Shoulder 5/16-18 X 62
26	810040800	Washer Lock Heavy Helical Spring

NOTE: All component dimensions given in U.S. inches.  
1 inch = 25.4 mm.

# REPAIR PARTS

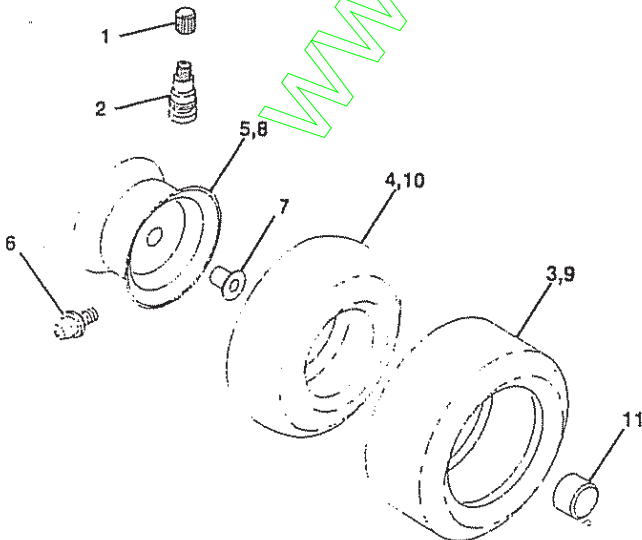
12 HP 38" TRACTOR - - MODEL NO. BL1238E, PRODUCT NO. 954 00 23-11

## DECALS



KEY NO.	PART NO.	DESCRIPTION	KEY NO.	PART NO.	DESCRIPTION
1	532136795	Decal Instruction Dash Eng/fr	10	532101892	Decal Clutch/brake Eng/fr
2	532121549	Decal Caution Battery Fr/ger	11	532121349	Decal Danger Deflec Eng/fr
3	532125934	Decal Hood Lh	12	532125690	Decal 100 DbA
4	532125935	Decal Hood Rh	13	532125835	Decal Strg Wheel Cap Berd/lois
5	532138371	Decal Side Panel Lh	--	532137372	Manual Oper Gen 93 38/42" e/f
6	532138370	Decal Side Panel Rh	--	532138159	Manual Instruction Asm Bl1 238e
7	532133795	Decal Caution	Available accessories not included with tractor:		
8	532125819	Decal Fender	--	CE38	BAGGER
9	532138385	Decal Conformance	--	BD20	42" Snow Blade
			--	SB20	40" Snow Thrower
			--	CH12	Tire Chains ( 18 x 8.5 x 8 Turf)
			--	LC05	33 lb. Wheel Weights (Pair)

## WHEELS & TIRES

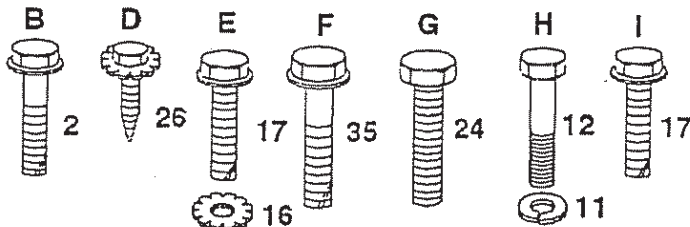
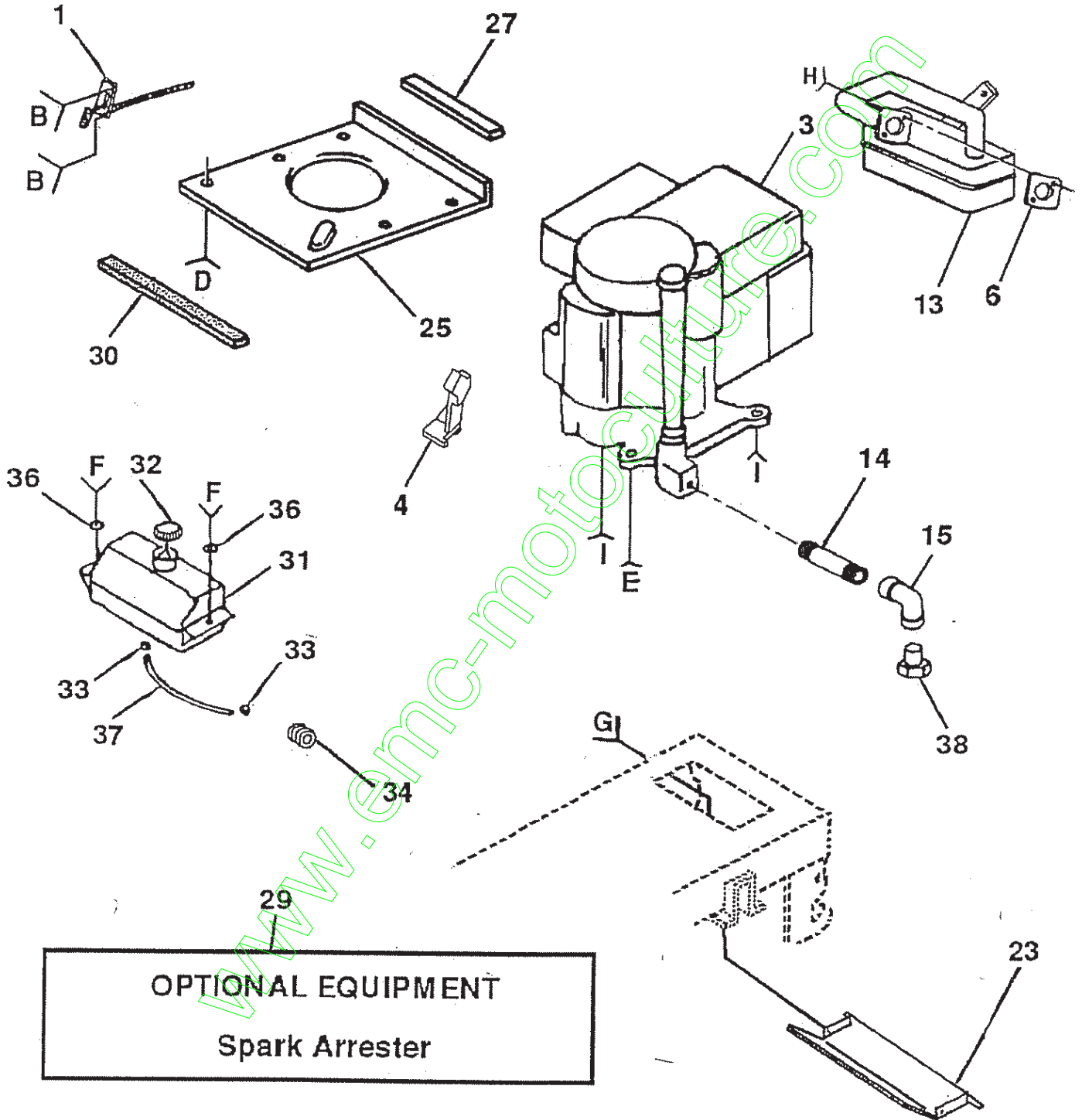


KEY NO.	PART NO.	DESCRIPTION
1	532059192	Cap Valve Tire
2	532065139	Stem Valve
3	532106222	Tire F Ts 15 X 6 0 - 6 Service
4	532059904	Tube Front (Service Item Only)
5	532125021	Rim Asm 6"front Yellow Service
6	532124957	Fitting Grease (Front Wheel Only)
7	532124959	Bearing Flange (Front Wheel Only)
8	532124789	Rim Asm 8"rear Yellow Service
9	532124635	Tire R Ts 18x8 5-8 C Service
10	532124926	Tube Rear (Service Item Only)
11	532104757	Cap Axle Bik 1 50 X 1 00

NOTE: All component dimensions given in U.S. inches  
1 inch = 25.4 mm

# REPAIR PARTS

12 HP 38" TRACTOR -- MODEL NO. BL1238E, PRODUCT NO. 954 00 23-11  
ENGINE



# REPAIR PARTS

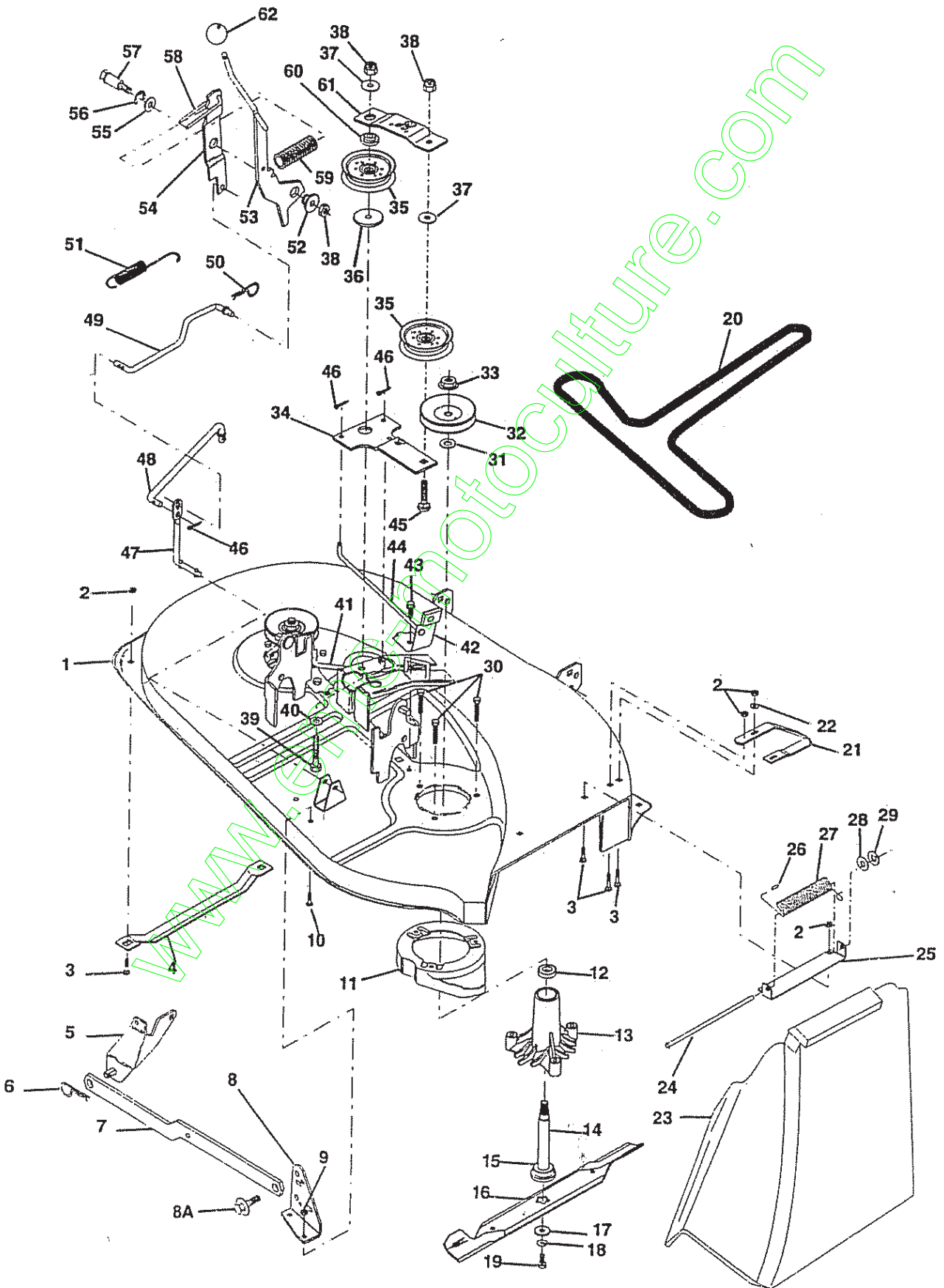
12 HP 38" TRACTOR - - MODEL NO. BL1238E, PRODUCT NO. 954 00 23-11  
ENGINE

KEY NO.	PART NO.	DESCRIPTION
1	532132623	Control Th/ch RH Blk Tee 15 10
2	817720410	Screw Hex Thd Cut 1/4-20x5/8 T
3	-----	Engine B&S 12HP I/c Dual 1 Vt Model No 283707-0217-01
4	532127951	Stop Throt 3000 Rpm
6	532125593	Gasket Eng 1 313 Id Tin Plated
11	871070512	Screw Hexhd Cap 5/16-18x 3/4
12	810040500	Washer Lock Hvy Hlcl Spr 5/16
13	532137348	Muffler LT B&S 12/12 5 HP
14	813280324	Nipple Pipe 3/8 Npt X 3"
15	813200300	Elbow Std 90 Degree 3/8-18 Npt
16	811050600	Washer Lock Ext Tooth 3/8
17	817490620	Screw Thdrol 3/8-16x1-1/4 TYTT
23	532128953	Shield Heat Browning LT/YT
24	817021008	Screw Tap Hex #10-24unc X 1/2
25	532124027	Shield Heat Hood LT
26	817030808	Screw Spiderloc Hexhd#8x1/2 Ab
27	532105037	Strip Foam 18"
29	532137180	Kit Spark Arrestor (Flat Scrn)
30	532127057	Pinch Weld Hood Black 2 00
31	532109202	Tank Fuel Front 1 25
32	532123549	Cap Asm Fuel W/sym Vented
33	532123487	CLAMP Hose Blk
34	532124028	Bushing Snap Nyl Blk Fuel Line
35	817490412	Screw Hexwsh Thdrol 1/4-20x3/4
36	819091416	Washer 9/32 X 7/8 X 16 Ga
37	532101335	Line Fuel 9 50"
38	-----	Plug Oil Drain (Order From Engine Manufacturer)

NOTE: All component dimensions given in U.S. inches  
1 inch = 25.4 mm

# REPAIR PARTS

12 HP 38" TRACTOR - - MODEL NO. BL1238E, PRODUCT NO. 954 00 23-11  
38" MOWER



# REPAIR PARTS

12 HP 38" TRACTOR - - MODEL NO. BL1238E, PRODUCT NO. 954 00 23-11

38" MOWER

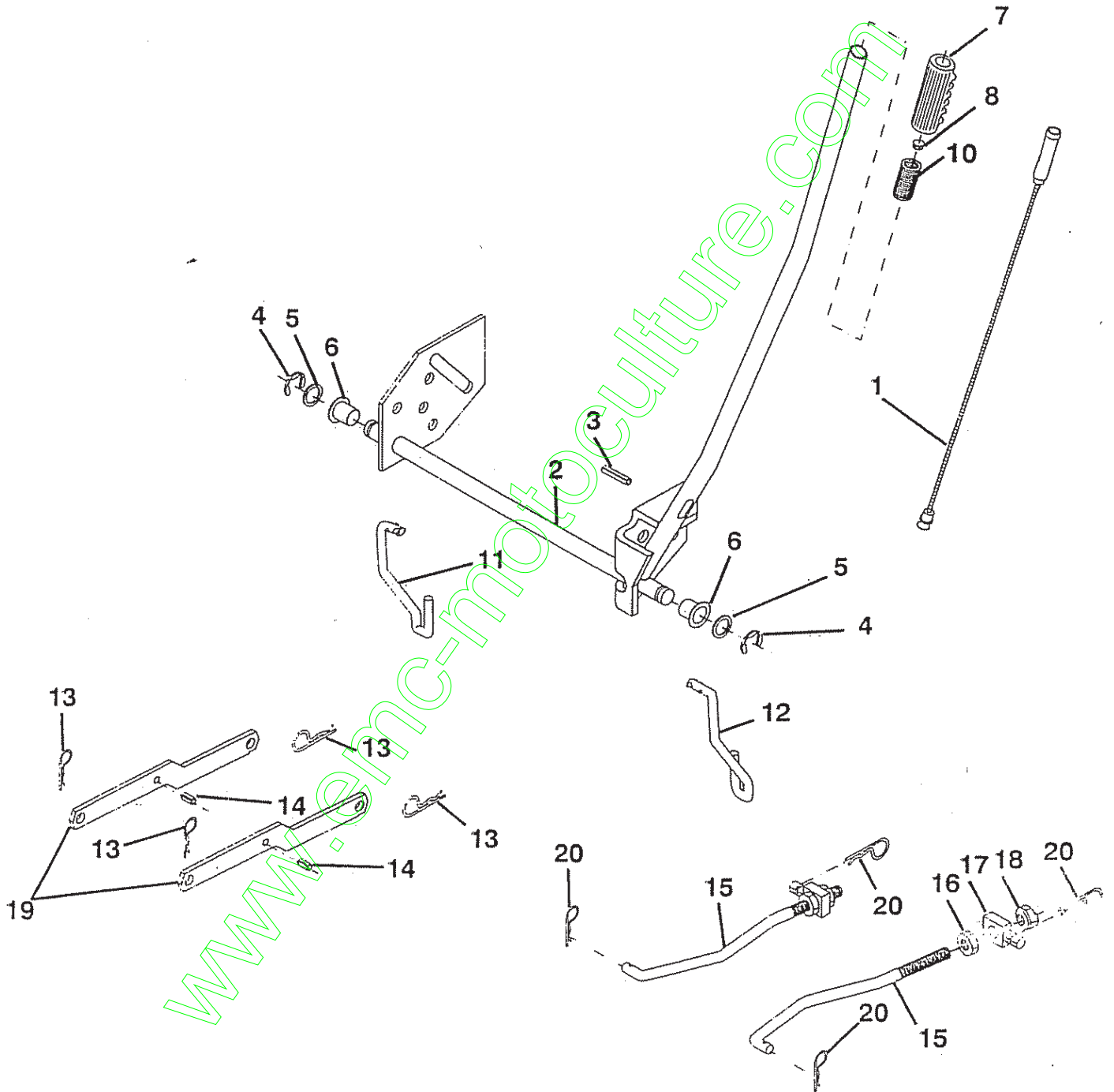
KEY NO.	PART NO.	DESCRIPTION	KEY NO.	PART NO.	DESCRIPTION
1	532138026	Deck Asm Weldment 38"sway Bar	33	873050900	Nut 9/16 Toplock Fling Oil Dip
2	873680500	Nut Crown Lock 5/16-18	34	532133840	Arm Idler 38"
3	872140506	Bolt Rdhd Sqnk 5/16-18unc X3/4	35	532131494	Pulley Idler Flat 3 060
4	532125074	Runner Mower LH 10 00	36	532122052	Spacer Retainer Pm Mower
5	532138017	Bracket Asm Fr Sway Bar 38/42	37	819131612	Washer 13/32 X 1 X 12 Ga
6	532124670	Retainer Spring	38	873680600	Nut Crownlock 3/8-16 Unc
7	532130832	Arm Suspension Rear	39	874600636	Bolt Hex 3/8-16 X 2-1/4
8	532138440	Bracket Asm Deck Sway Bar 38"	40	819131612	Washer 13/32 X 1 X 12 Ga
8a	532132827	Bolt Shoulder	41	532131289	Rod Brake Mandrel LH 4 856
9	873800500	Locknut-hex W/ins 5/16-18unc P	42	532130840	Brake Asm Mower Vented
10	872140506	Bolt Rdhd Sqnk 5/16-18unc X3/4	43	817490512	Screw Thdrol 5/16-18 X 3/4 TYT
11	532128961	Stripper MWR Repld By 136929	44	532131288	Rod Brake Mandrel RH 10 744
12	532110485	Bearing Ball Mandrel	45	872110614	Bolt Rdhd 3/8-16uncx1-3/4 Gr5
13	532128774	Housing Mandrel	46	876020312	Pin Cotter 3/32 X 3/4 Cad
14	532133172	Shaft Asm W/lower Bearing	47	532133551	Rod Pivot W/nibs
15	532129895	Bearing Ball	48	532133504	Rod Clutch Secondary W/nibs
16	532131322	Blade 38"euro	49	532134666	Rod Clutch Primary 38/42
17	532129962	Washer Hard Blade Mower Vented	50	532124788	Spring Retainer 1" Zinc/cad
18	810030600	Washer Lock Hvy 3/8 Unplated	51	532131870	Spring Return
19	532850857	Bolt 3/8 - 24 X 1 - 1/4	52	532127498	Bushing 747 Od X 794 Lg Brass
20	532131290	V-Belt Mower 88 12 Black 38"	53	532133573	Arm Asm Clutch Primary
21	532128772	Runner RH 38"	54	532127847	Arm Clutch Secondary
22	819111216	Washer 11/32 X 3/4 X 16 Ga	55	532121748	Washer 25/32 X 1-5/8 X 16 Ga
23	532106736	Shield Deflector Mower 38"blk	56	812000029	Ring Klip #t5304-75
24	532106735	Rod Hinge Brt/blk Zinc 9 88 Lg	57	532128903	Bolt Shoulder 3/8-16 Unc 1 44
25	532105896	Bracket Deflector Mower	58	532127845	Keeper Spring 4 000
26	532105304	Cap Sleeve 80x 112 Blk Mower	59	532128759	Spring Clutch Mower 2 750 Zinc
27	532106734	Spring Deflector 4 46 Blk	60	532133502	Spacer Arm Idler Upper Hdn 42"
28	819111016	Washer 11/32 X 5/8 X 16 Ga	61	532133503	Stiffener Arm Idler Upper 42"
29	532110452	Nut Push Phos & Oil	62	532106932	Knob Rd 3/8-16 Plstc Thds Blk
30	532078158	Bolt 5/16-18 X 1 25 T/t	--	532138360	Deck Serv 38HP Mech Sb Eng/fr
31	532129963	Washer Spacer Mower Vented	--	532130794	Mandrel Asm Service (Includes Key
32	532129206	Pulley Mandrel 38"Single			Nos. 12-15, 17-19, 31 and 33)

NOTE: All component dimensions given in U.S. inches  
1 inch = 25.4 mm

# REPAIR PARTS

12 HP 38" TRACTOR -- MODEL NO. BL1238E, PRODUCT NO. 954 00 23-11

LIFT





# REPAIR PARTS

12 HP 38" TRACTOR - - MODEL NO. BL1238E, PRODUCT NO. 954 00 23-11  
LIFT

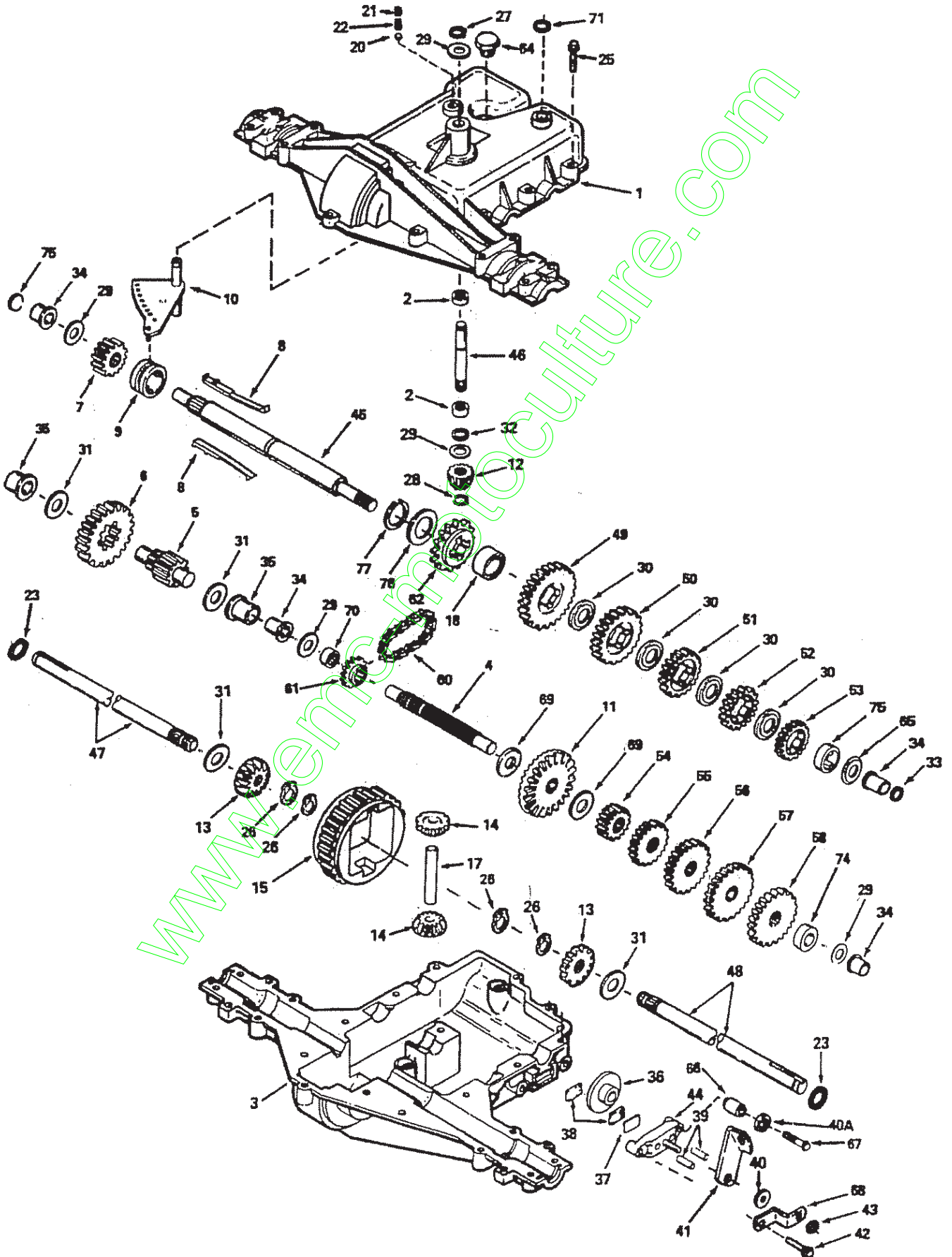
KEY NO.	PART NO.	DESCRIPTION
1	532122514	Rod Asm Lever 9 219 Bend Stake
2	532122507	Shaft Asm Lift 9 680
3	532105767	Pin Groove 1 500 Zinc
4	812000002	E Ring #5133-62
5	819211416	Washer 21/32 X 7/8 X 16 Ga
6	532120183	Bearing Nylon Blk 629 1d
7	532109413	Grip Handle Bicycle Matte Blk
8	532124526	Button Plunger Black
10	532122512	Spring Cprsn 3 750 Oiled
11	532134619	Link Lift LH Fixed Length
12	532135388	Link Lift RH Fixed Length
13	532124670	Retainer Spring
14	532135563	Pin Roll SLT 5/16 X 1 25 Blk O
15	532127218	Link Front
16	873350800	Nut Jam Hex 1/2-13 Unc
17	532130171	Trunnion Blk Zinc
18	873800800	Nut Lock W/wsh 1/2-13unc
19	532130832	Arm Suspension Rear
20	532124660	Retainer Spring

NOTE: All component dimensions given in U.S. inches.  
1 inch = 25.4 mm.

# REPAIR PARTS

(xP)

12 HP 38" TRACTOR - - MODEL NO. BL1238E, PRODUCT NO. 954 00 23-11  
PEERLESS TRANSAXLE - MODEL NUMBER 930-009



# REPAIR PARTS

12 HP 38" TRACTOR - - MODEL NO. BL1238E, PRODUCT NO. 954 00 23-11  
PEERLESS TRANSAXLE - MODEL NUMBER 930-009

REF NO.	PART NO.	DESCRIPTION	REF NO.	PART NO.	DESCRIPTION
1	772108	Cover, Transaxle	42	792073	Screw, Flanged Hex Head, Thread Forming 1/4-20 x 1-1/4
2	780086	Bearing, Needle	43	792075	Locknut 5/16-24
3	770102	Case, Transaxle	44	790025	Holder, Brake Pad
4	776260	Shaft, Counter	45	776315A	Shaft, Brake, 4-Keyed
5	776219	Shaft and Pinion Assembly, Output	46	776135	Shaft, Input
6	778139	Gear, Output	47	774690	Axle, 11-15/16
7	778136	Gear, Spur, 15 Teeth	48	774691	Axle, 16-1/2
8	792136	Key	49	778191	Gear, Spur, 37 Teeth
9	784352	Collar, Shifter	50	778124A	Gear, Spur, 30 Teeth
10	784355	Rod and Fork Assembly, Shift	51	778123A	Gear, Spur, 25 Teeth
11	778229	Gear, Bevel, 42 Teeth	52	778122A	Gear, Spur, 22 Teeth
12	778113A	Bevel Pinion, Input	53	778209	Gear, Spur, 19 Teeth
13	778221	Gear, Bevel	54	778230	Gear, Spur, 12 Teeth
14	778068	Gear, Bevel Pinion	55	778126A	Gear, Spur, 20 Teeth
15	778260	Gear, Ring	56	778127A	Gear, Spur, 25 Teeth
17	786139	Pin, Drive	57	778128A	Gear, Spur, 28 Teeth
18	786102	Spacer, Neutral	58	778163	Gear, Spur, 31 Teeth
20	792077	Ball, Steel, 5/16 diameter	60	786081	Chain, Roller (Number 41 Chain, 24 Links)
21	792078	Screw, Set 3/8-16 x 3/8	61	786082	Sprocket, 9 Teeth
22	792079	Spring	62	786123	Sprocket, 18 Teeth
23	788061	Ring, Felt	64	792074	Plug, Hex Head, Threaded 9/16-18
25	792073	Screw, Flanged Hex Head, Thread Forming 1/4-20 x 1-1/4	65	780139	Washer, Thrust
26	792125	Ring, Retainer (4 Required, Package Of 2)	66	786067	Spacer
27	792035	Ring, Retainer	67	792085	Screw, Flanged Hex Head, Thread Forming 1/4-20 x 2-1/4
28	788040	Ring, Retainer	68	786086	Bracket, Brake Lever
29	780072	Washer, Thrust	69	780051	Washer, Thrust
30	780108	Washer, Thrust	70	786118	Spacer
31	780001	Washer	71	788069	Seal, Square Cut
32	792001	"O" Ring	72	786116	Disk
33	788051	Seal, Square Cut	74	786071	Spacer
34	780105A	Bushing, Flanged	75	786072	Spacer
35	780118A	Bushing, Flanged	76	780090	Washer, Thrust
36	790003	Disk, Brake	77	788075	Ring, Retaining
37	790007	Plate, Brake Pad			
38	790006	Pad, Brake			
39	786026	Pin, Dowel			
40	792076	Washer, Flat			
40A	792128	Washer, Flat			
41	790047	Lever, Brake			

**NOTE:** All component dimensions given in U.S. inches  
1 inch = 25.4 mm

Parts must be ordered from Tecumseh Products Co.