

**ILLUSTRATED PARTS BREAKDOWN**

**BERNARD  
12 HP LAWN RIDER  
MODEL NO. BL12T36A  
954 00 22-91**

[www.emc-motoculture.com](http://www.emc-motoculture.com)



# ILLUSTRATED PARTS BREAKDOWN

## ELECTRICAL

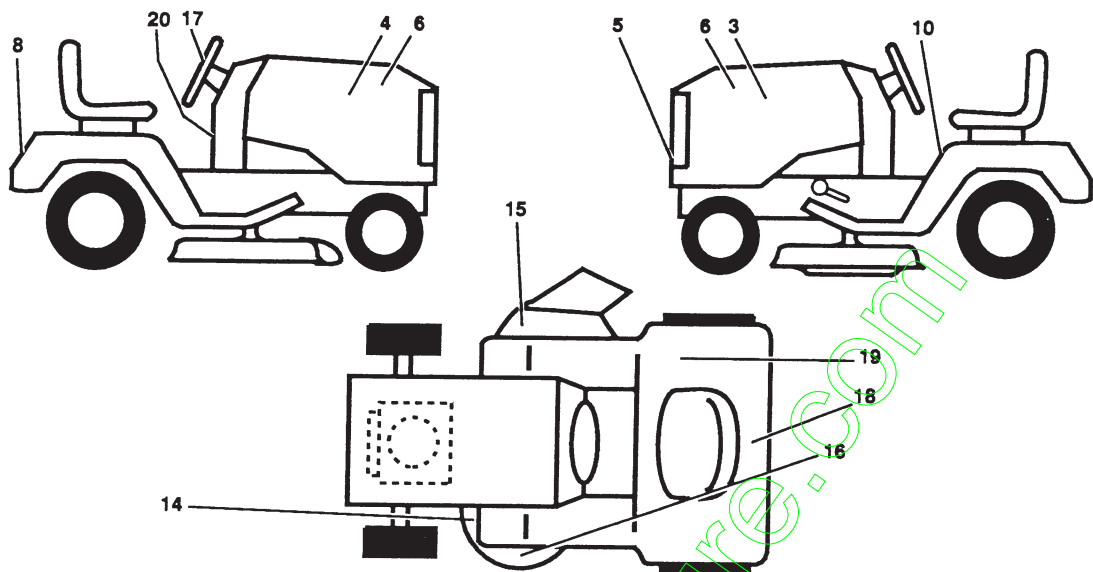
KEY NO.	PART NO.	DESCRIPTION	KEY NO.	PART NO.	DESCRIPTION
1	873510400	Nut, Hex Keps 1/4-20	19	532134860	Harness, Ignition
2	532108423	Assembly, Cable	20	873350400	Nut, Hex Jam 1/4-20
3	532133909	Battery	21	810090400	Washer, Lock 1/4
5	532108236	Bracket, Switch	22	874780408	Bolt, Fin Hex 1/4-20 UNC x 1/2 Gr. 5
6	532104445	Switch, Interlock	23	811050400	Washer, Lock Ext. Tooth 1/4
7	532109553	Switch, Interlock	24	532131563	Cover, Terminal
8	817021008	Screw, Tap Hex Hd.	25	532109081	Solenoid
9	532122147	Key, Molded	26	874760412	Bolt, Hex Hd. 1/4-20 UNC x 3/4
10	532123620	Cover, Key Ignition	27	819091016	Washer 9/32 x 5/8 x 16
11	532124211	Nut, Ignition	28	810040400	Washer, Lock 1/4
12	532125104	Switch, Ignition	29	532121264	Cap, Battery
14	532124756	Tie, Cable	30	873220400	Nut, Fin Hex 1/4-20 UNC
15	532121305	Switch, Plunger	34	873510600	Bolt, Hex 3/8-16
16	873510500	Nut, Keps 5/16-18	35	811050600	Washer, Lock, Ext. Tooth 3/8
17	532108824	Fuse			
18	532128353	Assembly, Cable			

HARDWARE SHOWN LARGER FOR EASIER IDENTIFICATION

www.emc-motocult.com

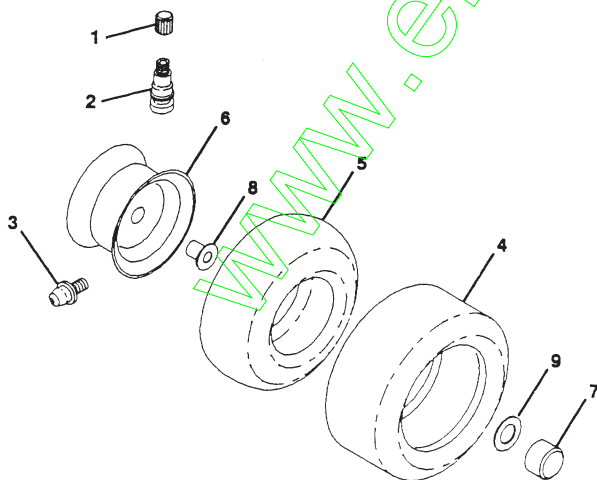
# ILLUSTRATED PARTS BREAKDOWN

## DECALS



KEY NO.	PART NO.	DESCRIPTION	KEY NO.	PART NO.	DESCRIPTION
3	532125816	Decal, Hood, L. H.	16	532126196	Decal, Rotating Blades, (English/French/German/Dutch)
4	532125817	Decal, Hood, R. H.	17	532125835	Decal, Steering Wheel
5	532125820	Decal, Grill	18	532121549	Decal, Caution, Battery, (French/German)
6	532136314	Decal, Side Panel	19	532125690	Decal DBA
8	532125819	Decal, Fender	20	532123637	Decal, Instruction, Operating, (English/French)
10	532133795	Decal, Caution, (English/French)	—	532131745	Manual, Operator's
14	532126192	Decal, Warning, Deflector, (English/French/German/Dutch)			
15	532126194	Decal, Caution, Deflector, (English/French/German/Dutch)			

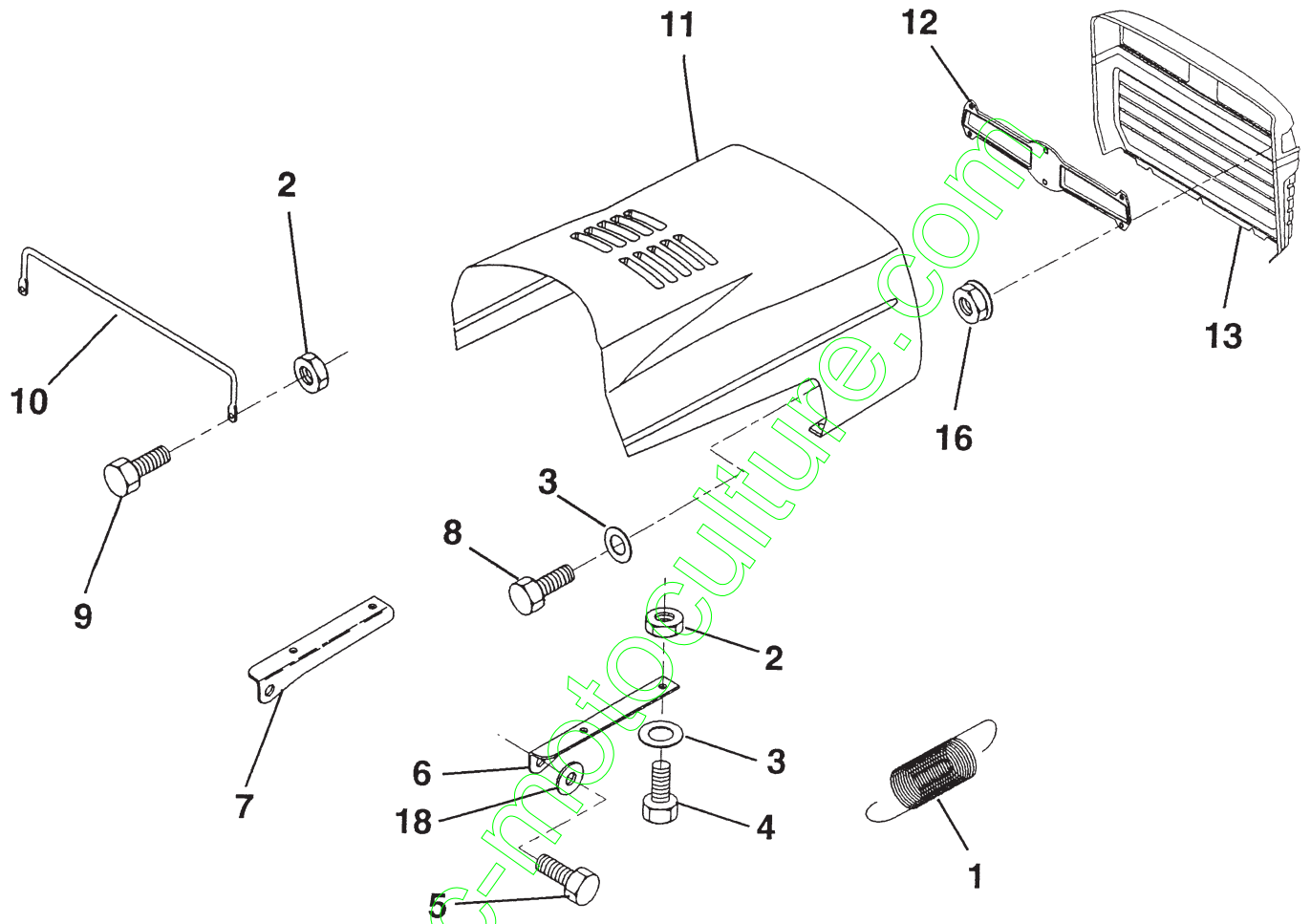
## WHEELS & TIRES



KEY NO.	PART NO.	DESCRIPTION
1	532059192	Cap, Valve
2	532065139	Stem, Valve
3	532124957	Fitting, Grease (Front Wheels Only)
4	532132696	Tire, Front
4	532132703	Tire, Rear
5	532059904	Tube, Front (Optional Service Item Only)
5	532008134	Tube, Rear (Optional Service Item Only)
6	532124843	Rim, Front
6	532124844	Rim, Rear
7	532104757	Cap, Axle
8	532124959	Bearing, Flange
9	532121748	Washer 25/32 x 1-5/8 x 16 Ga.
10	532104757	Cap, Axle

# ILLUSTRATED PARTS BREAKDOWN

## HOOD

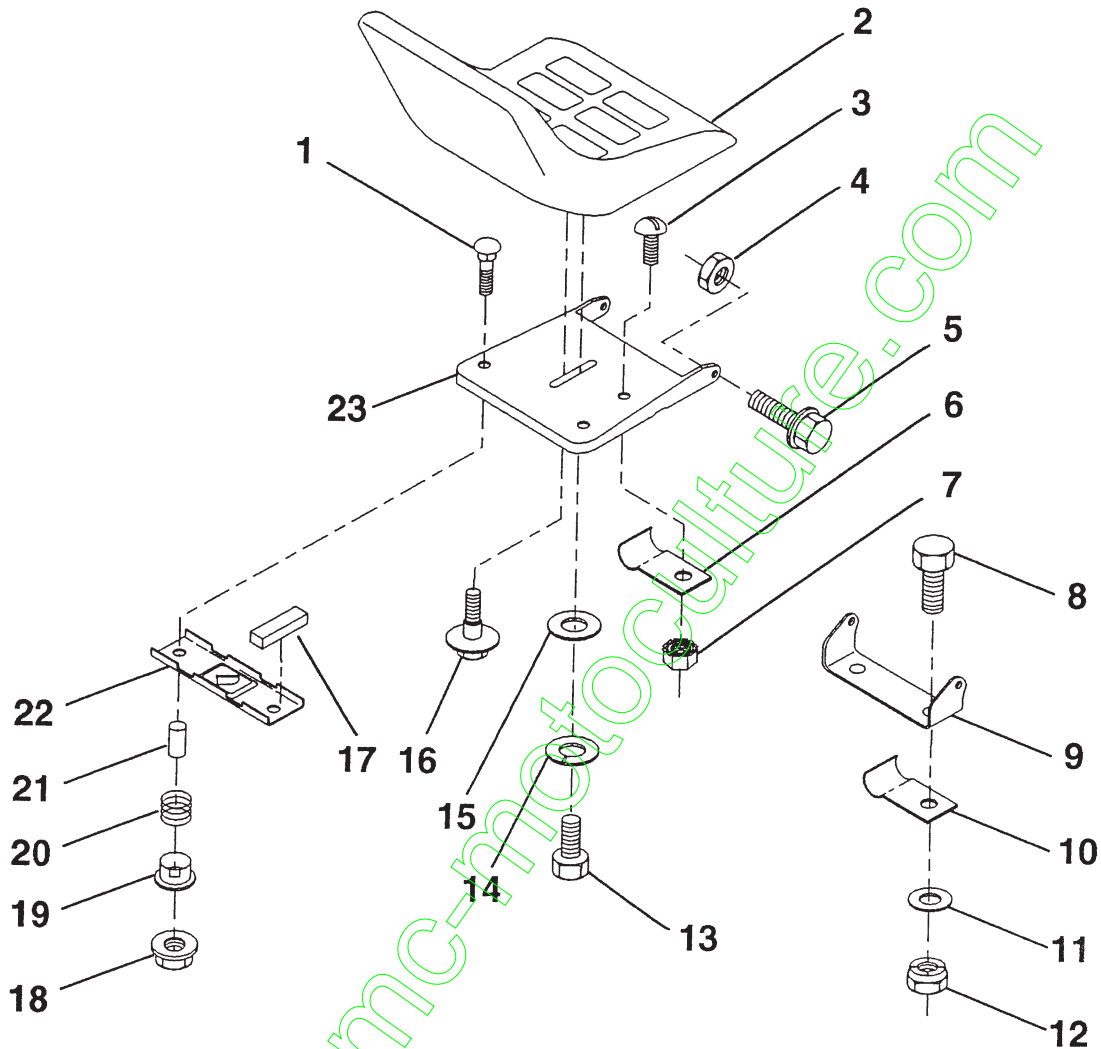


KEY NO.	PART NO.	DESCRIPTION	KEY NO.	PART NO.	DESCRIPTION
1	532124657	Extension, Spring	8	817411310	Screw, Fin. Hex #13-16 Hi-Lo x 5/8
2	873510400	Nut, Hex, Keps 1/4-20	9	874780412	Bolt, Hex Fin. 1/4-20 x 3/4 Gr. 5
3	819091016	Washer, 9/32 x 5/8 x 16 Ga.	10	532123693	Brace, Hood
4	874780410	Bolt, Hex Fin. 1/4-20 UNC 5/8 Gr.5	11	532125386	Hood
5	532126675	Bolt, Shoulder	12	532127659	Lens, Plate, Grill
6	532122549	Bracket, Hood R. H.	13	532125747	Grill
7	532122548	Bracket, Hood L.H.	16	532124346	Nut, Self Thread, Washer Head 1/4
			18	819111116	Washer 11/32 x 11/16 x 16 Ga.

HARDWARE SHOWN LARGER FOR EASIER IDENTIFICATION

# ILLUSTRATED PARTS BREAKDOWN

## SEAT



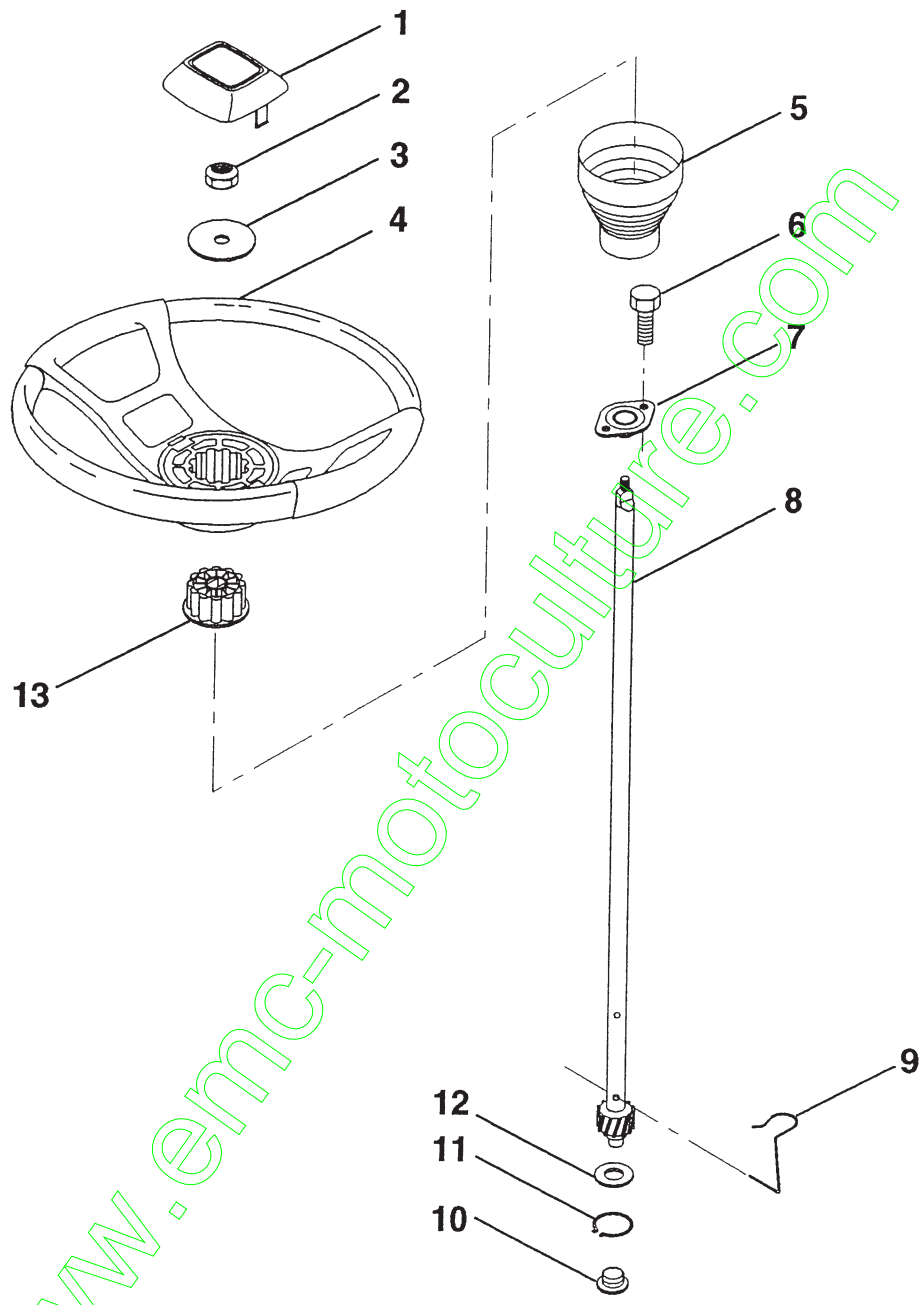
KEY NO.	PART NO.	DESCRIPTION
1	872050411	Bolt, Carriage 1/4-20 x 1-1/4
2	532127423	Seat
3	874641008	Screw, Slotted Pan Head #10-32 x 1/2
4	873680500	Nut, Crownlock 5/16-18
5	532105529	Bolt, Shoulder 5/16-18 UNC
6	532004171	Clip, Insulated
7	873951000	Nut, Keps #10-32 UNF
8	874760612	Bolt, Fin Hex 3/8-16 UNC x 3/4
9	532126656	Bracket, Pivot Seat
10	532126471	Clip, Insulated
11	819133210	Washer 12/32 x 2 x 10 Ga.
12	873680600	Nut, Crownlock 3/8-16 UNC

KEY NO.	PART NO.	DESCRIPTION
13	874780814	Bolt, Fin Hex 1/2-13 UNC x 7/8 Gr. 5
14	810040800	Washer, Lock Hvy Helical Spring
15	819171912	Washer, 17/32 x 1-3/16 x 12 Ga.
16	532127018	Bolt, Shoulder
17	532121251	Strip, Foam
18	532123976	Nut, Hex Large Flange Lock
19	532121248	Bushing, Snap
20	532121250	Spring, Compression
21	532121249	Spacer, Split 28 Id. x .88 Lg.
22	532121246	Bracket, Switch, Mounting
23	532131451	Pan, Seat

HARDWARE SHOWN LARGER FOR EASIER IDENTIFICATION

# ILLUSTRATED PARTS BREAKDOWN

## STEERING WHEEL

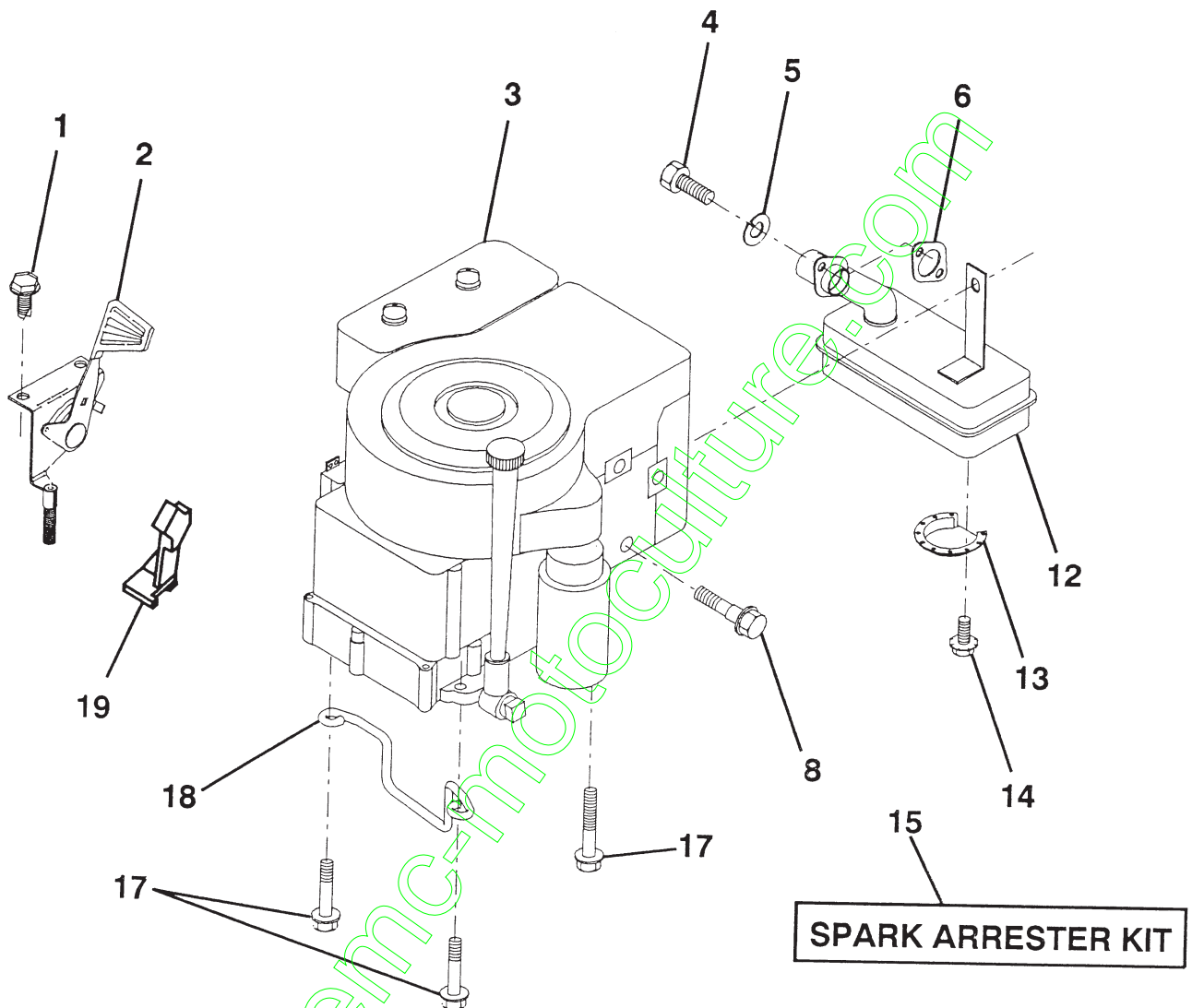


KEY NO.	PART NO.	DESCRIPTION	KEY NO.	PART NO.	DESCRIPTION
1	532100710	Insert, Wheel, Steering	8	532123651	Shaft, Steering
2	532124701	Nut, Lock 3/8-24 UNF	9	532124210	Clip, Steering
3	819133808	Washer 12/32 x 2-3/8 x 8 Ga.	10	532123438	Bushing, Lower, Steering
4	532100713	Wheel, Steering	11	812000045	Ring, Retaining
5	532121897	Sleeve, Steering	12	819211616	Washer 21/32 x 1 x 16 Ga.
6	817431008	Screw, Hex #10-16 x 1/2 TY-B	13	532104820	Adaptor, Wheel, Steering
7	532102803	Bushing, Steering			

HARDWARE SHOWN LARGER FOR EASIER IDENTIFICATION

# ILLUSTRATED PARTS BREAKDOWN

## ENGINE / THROTTLE



KEY NO.	PART NO.	DESCRIPTION
1	817720408	Screw, Hex Thd. Cut 1/4-20 x 1/2
2	532133025	Control, Throttle
3	----	Engine, Tecumseh OVXL 120
4	532123528	Bolt, Hex Head Phillips
5	810040500	Washer, Lock Heavy Helical Spring 5/16
6	532002949	Gasket, Exhaust
8	532081328	Bolt, Shoulder 5/16
12	532134554	Muffler

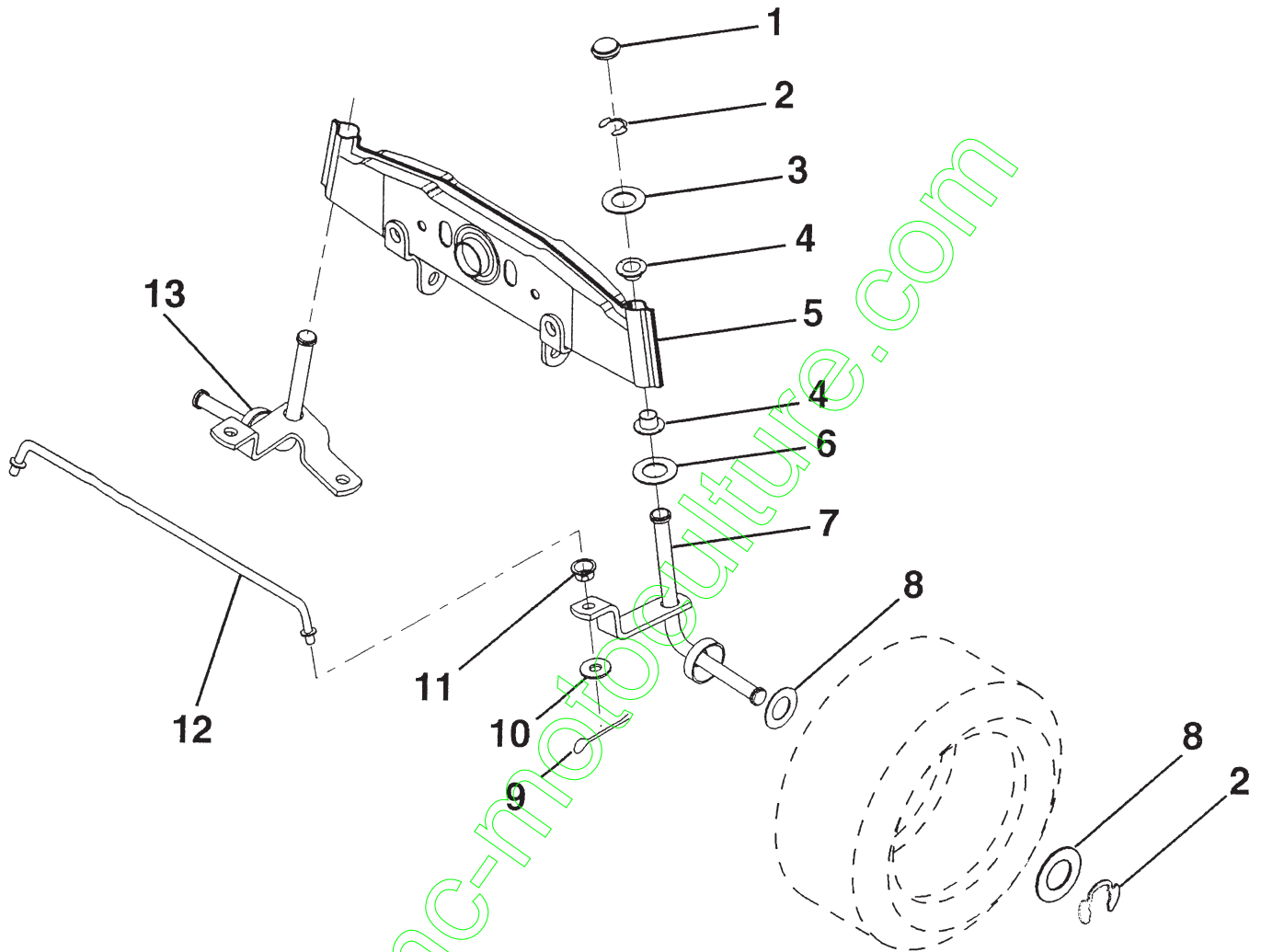
KEY NO.	PART NO.	DESCRIPTION
13	532101326	Deflector, Muffler
14	817030808	Screw, Spiderlock Hex Hd. 8 x 1/2 ABTPS
15	532121851	Arrester, Spark (Optional equipment)
17	817490624	Screw, Hex Wsh Hd Thdrol 3/8-16 x 1-1/2
18	532126636	Keeper, Ground Drive Belt
19	532134085	Stop, Throttle

HARDWARE SHOWN LARGER FOR EASIER IDENTIFICATION



# ILLUSTRATED PARTS BREAKDOWN

## FRONT AXLE



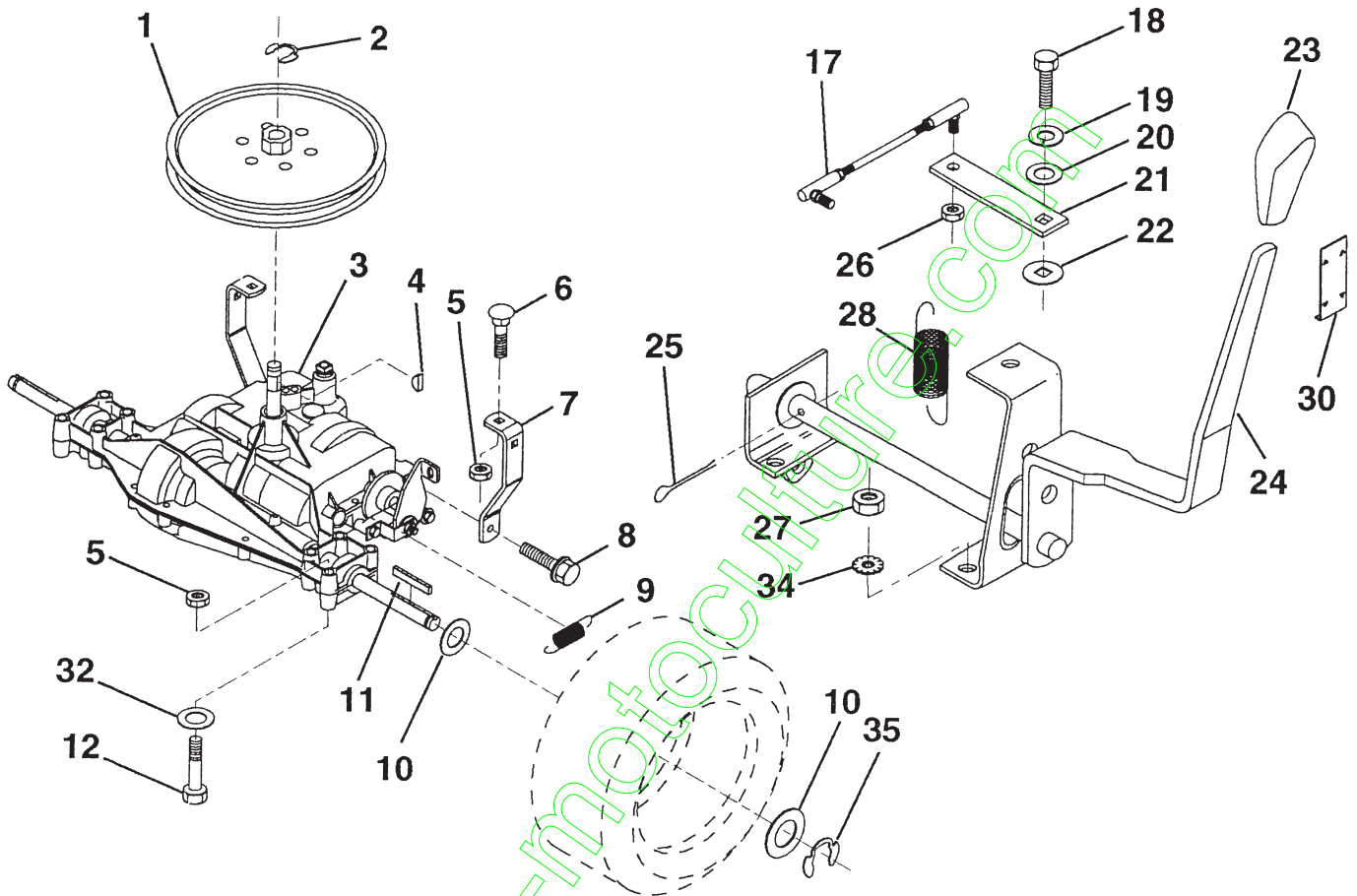
KEY NO.	PART NO.	DESCRIPTION
1	532121232	Cap, Spindle
2	812000029	Ring, Clip
3	532121748	Washer 25/32 x 1-5/8 x 16 Ga.
4	532121922	Nyliner
5	532121914	Axle, Front
6	532124931	Bearing, Thrust
7	532121919	Spindle, R.H. Asm.

KEY NO.	PART NO.	DESCRIPTION
8	532121749	Washer 25/32 x 1-1/4 x 16 Ga.
9	876020412	Pin, Cotter 1/8 x 3/4
10	819131316	Washer 13/32 x 13/16 x 16 Ga.
11	532126847	Bushing
12	532121924	Rod, Tie
13	532121916	Spindle, L.H. Asm.

HARDWARE SHOWN LARGER FOR EASIER IDENTIFICATION

# ILLUSTRATED PARTS BREAKDOWN

## TRANSAXLE

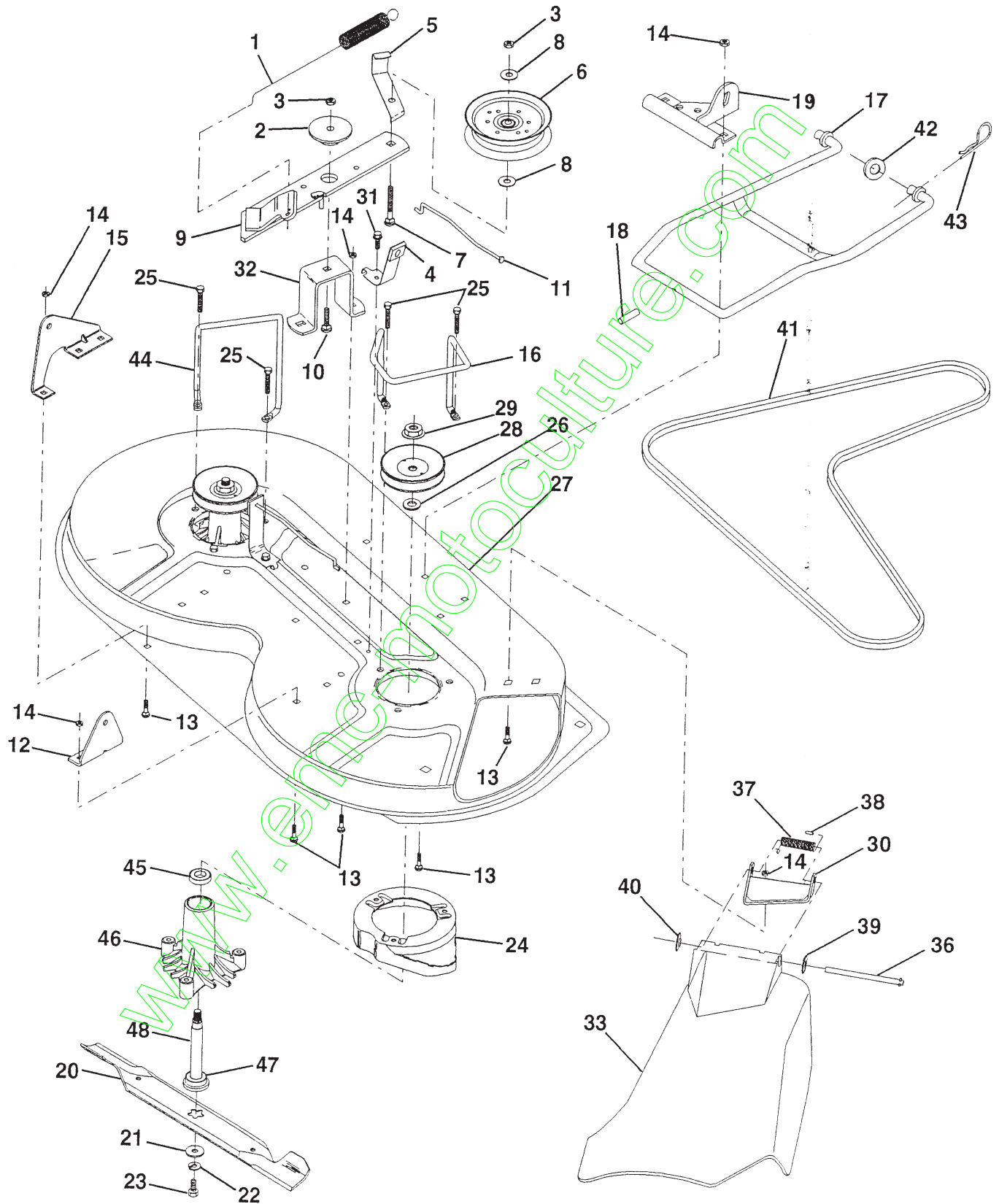


KEY NO.	PART NO.	DESCRIPTION	KEY NO.	PART NO.	DESCRIPTION
1	532123385	Pulley	20	819091210	Washer 9/32 x 3/4 x 10 Ga.
2	812000028	Ring, Retainer	21	532126292	Arm, Shift
3	532127054	Transaxle	22	532105701	Washer, Shift Plate
4	532125096	Key, Woodruff #9	23	532122011	Knob, Golf Club
5	873680500	Nut, Crownlock 5/16-18	24	532128202	Handle Asm. Shift
6	872140506	Bolt, Carriage 5/16-18 UNC x 3/4	25	876020416	Pin, Cotter 1/8 x 1
7	532123378	Strap, Torque	26	873810500	Nut, Hex Nylon
8	817490512	Screw 5/16-18 x 3/4	27	873510500	Nut, Keps 5/16-18
9	532110422	Spring, Brake	28	532128085	Extension, Spring
10	532121749	Washer 25/32 x 1-1/4 x 16 Ga.	30	532123692	Knob, Retainer
11	532123583	Key, Square	32	819111116	Washer 11/32 x 11/16 x 16 Ga.
12	874760540	Bolt, Fin Hex 5/16-18 x 2-1/2	34	811050500	Washer, External Tooth 5/16
17	532126293	Link, Shift	35	812000001	E-Ring
18	871040412	Bolt, Fin Hex 1/4-28 UNF x 3/4 Gr. 8			
19	810040400	Washer, Lock 1/4			

HARDWARE SHOWN LARGER FOR EASIER IDENTIFICATION

# ILLUSTRATED PARTS BREAKDOWN

## MOWER DECK



# ILLUSTRATED PARTS BREAKDOWN

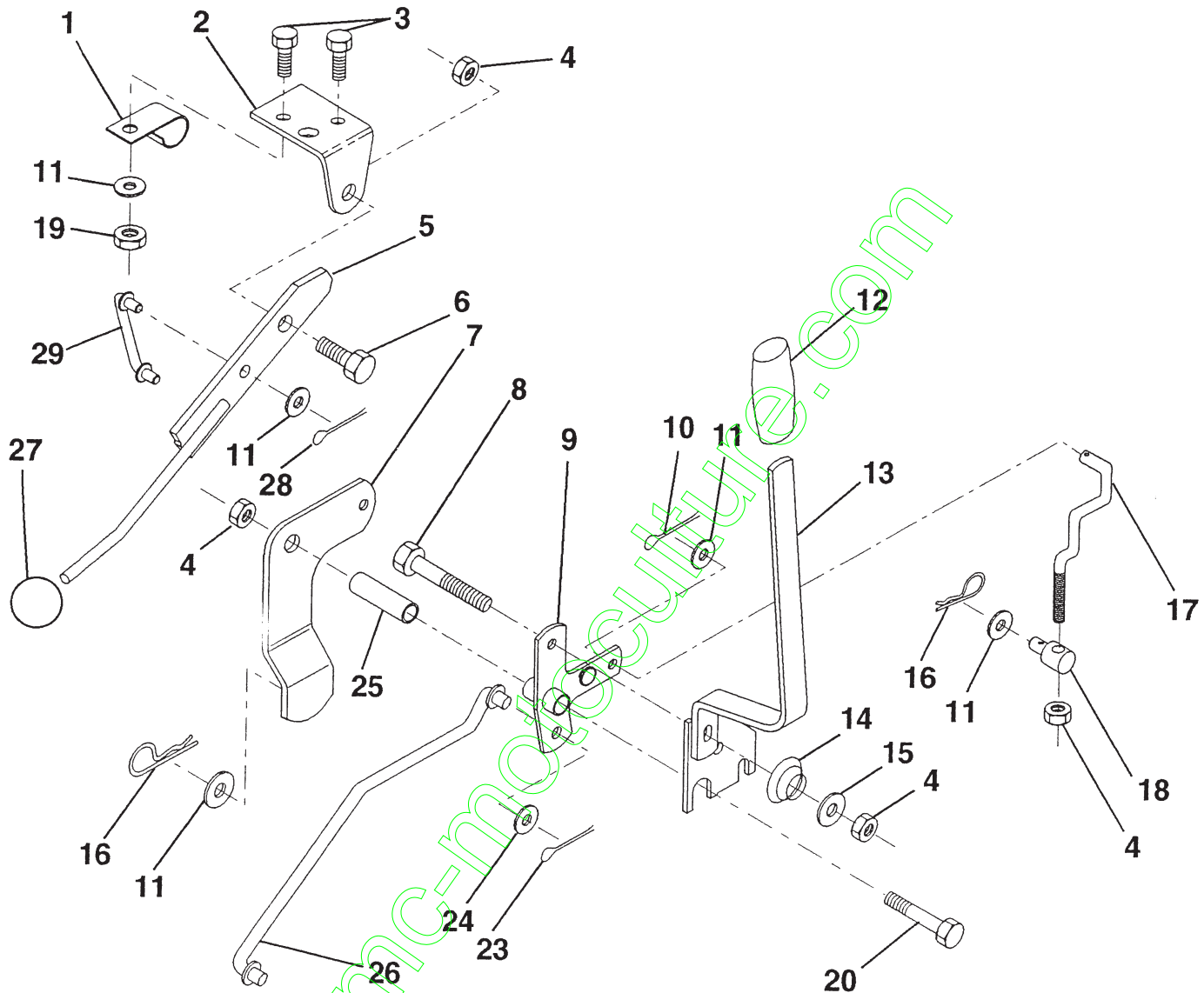
## MOWER DECK

KEY NO.	PART NO.	DESCRIPTION	KEY NO.	PART NO.	DESCRIPTION
1	532127743	Spring, Mower Clutch	25	532078158	Bolt 5/16-18 x 1-1/4
2	532122052	Spacer, Retainer	26	532129963	Washer .150 Thk.
3	873680600	Nut, Crownlock	27	532129983	Deck Assembly
4	532130840	Brake Asm.	28	532129207	Pulley, Mandrel
5	532131251	Guide, Belt Idler	29	873040900	Nut, Flangelock 9/16
6	532121316	Pulley, Flat Idler	30	532126361	Bracket, Asm. Deflector
7	872110616	Bolt, Carr. 3/8-16 x 2 Gr. 5	31	817490508	Screw, Hex Wsh. Thdrol. 5/16-18 x 1/2
8	819131410	Washer 13/21 x 7/8 x 10 Ga.	32	532122051	Arm, Support Idler Mower
9	532127744	Arm Asm., Idler Mower	33	532131560	Deflector
10	872110608	Bolt, Carriage 3/8-16 x 1	36	532121980	Rod, Hinge
11	532130841	Rod, Brake	37	532123713	Spring, Torsion Deflector
12	532127356	Bracket, Lift R.H. Rear	38	532105304	Cap, Sleeve
13	872140505	Bolt, Carriage 5/16-18 x 5/8	39	819111016	Washer 11/32 x 5/8 x 16 Ga.
14	873680500	Nut, Crownlock 5/16-18	40	532110452	Pushnut
15	532127357	Bracket, Lift L.H. Rear	41	532131264	V-Belt
16	532130837	Keeper, R.H.	42	819171616	Washer 11/32 x 5/8 x 16 Ga.
17	532128508	Link, Asm. Mower Stabilizer	43	532124660	Retainer, Spring
18	532128511	Pin, Drive	44	532130836	Keeper, L.H.
19	532127380	Bracket, Asm. Front	45	532110485	Bearing
20	532127841	Blade	46	532128774	Housing, Mandrel
21	532129962	Washer, Hard	47	532129895	Bearing
22	810030600	Washer, Lock 3/8	48	532133172	Shaft, Asm. Mandrel (Incl. Key #47)
23	532850857	Bolt 3/8-24 x 1-1/4 Gr. 8	—	532130794	Mandrel Asm. (Includes Key Nos. 22-23, 26, 29 and 45-48)
24	532128961	Stripper	--	532136316	Deck, Service Complete

HARDWARE SHOWN LARGER FOR EASIER IDENTIFICATION

# ILLUSTRATED PARTS BREAKDOWN

## MOWER LIFT LEVER



KEY NO.	PART NO.	DESCRIPTION	KEY NO.	PART NO.	DESCRIPTION
1	532126470	Clip, Insulated	14	532123496	Spring, Compression
2	532122018	Bracket, Mower Clutch	15	819131212	Washer 13/32 x 3/4 x 12 Ga.
3	874780408	Bolt, Fin. Hex 1/4-20 UNC x 1/2 Gr. 5	16	532124961	Retainer, Spring
4	873680600	Nut, Crownlock 3/8-16 UNC	17	532127359	Link, Front Lift
5	532123417	Assembly, Clutch Lever	18	532133205	Trunnion, Threaded 3/8-16
6	532106451	Bolt, Shoulder	19	873680400	Nut, Crownlock 1/4-20
7	532135371	Assembly, Mower Clutch Arm	20	874760644	Bolt, Fin. Hex 3/8-16 UNC x 2-3/4
8	874760636	Bolt, Hex 3/8-16 UNC x 2-1/4	23	876020416	Pin, Cotter 1/8 x 1
9	532121930	Assembly, Bracket Lift	24	819171616	Washer 17/32 x 1 x 16 Ga.
10	876020412	Pin, Cotter 1/8 x 3/4	25	532121933	Tube, Spacer
11	819131316	Washer 13/32 x 13/16 x 16 Ga.	26	532121934	Rod, Mower Lift
12	532122027	Grip, Handle	27	532121466	Knob
13	532127028	Assembly, Lift Handle	28	876020312	Pin, Cotter 3/32 x 3/4
			29	532131655	Link, Mower Clutch

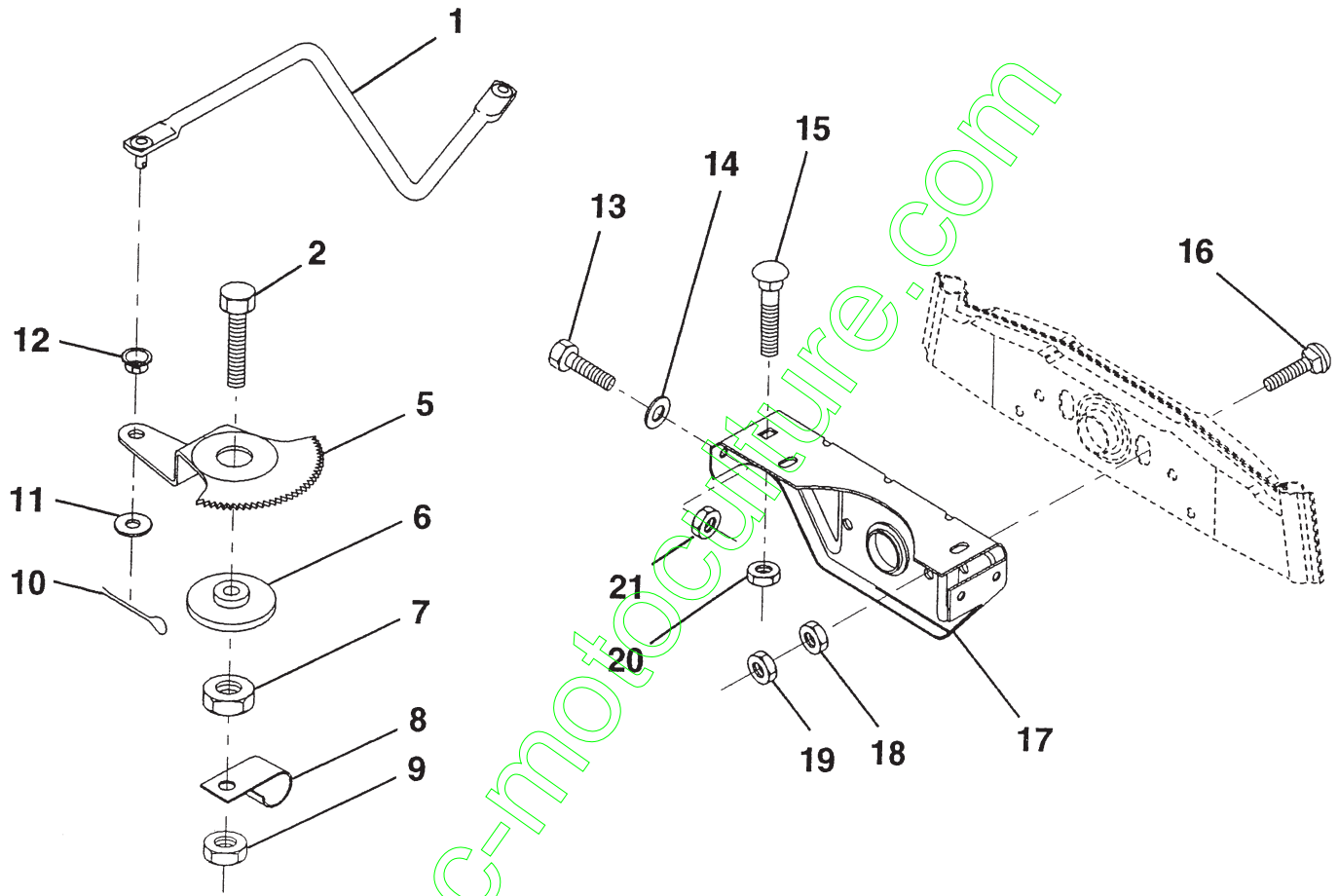
HARDWARE SHOWN LARGER FOR EASIER IDENTIFICATION





# ILLUSTRATED PARTS BREAKDOWN

## SECTOR GEAR / AXLE SUPPORT



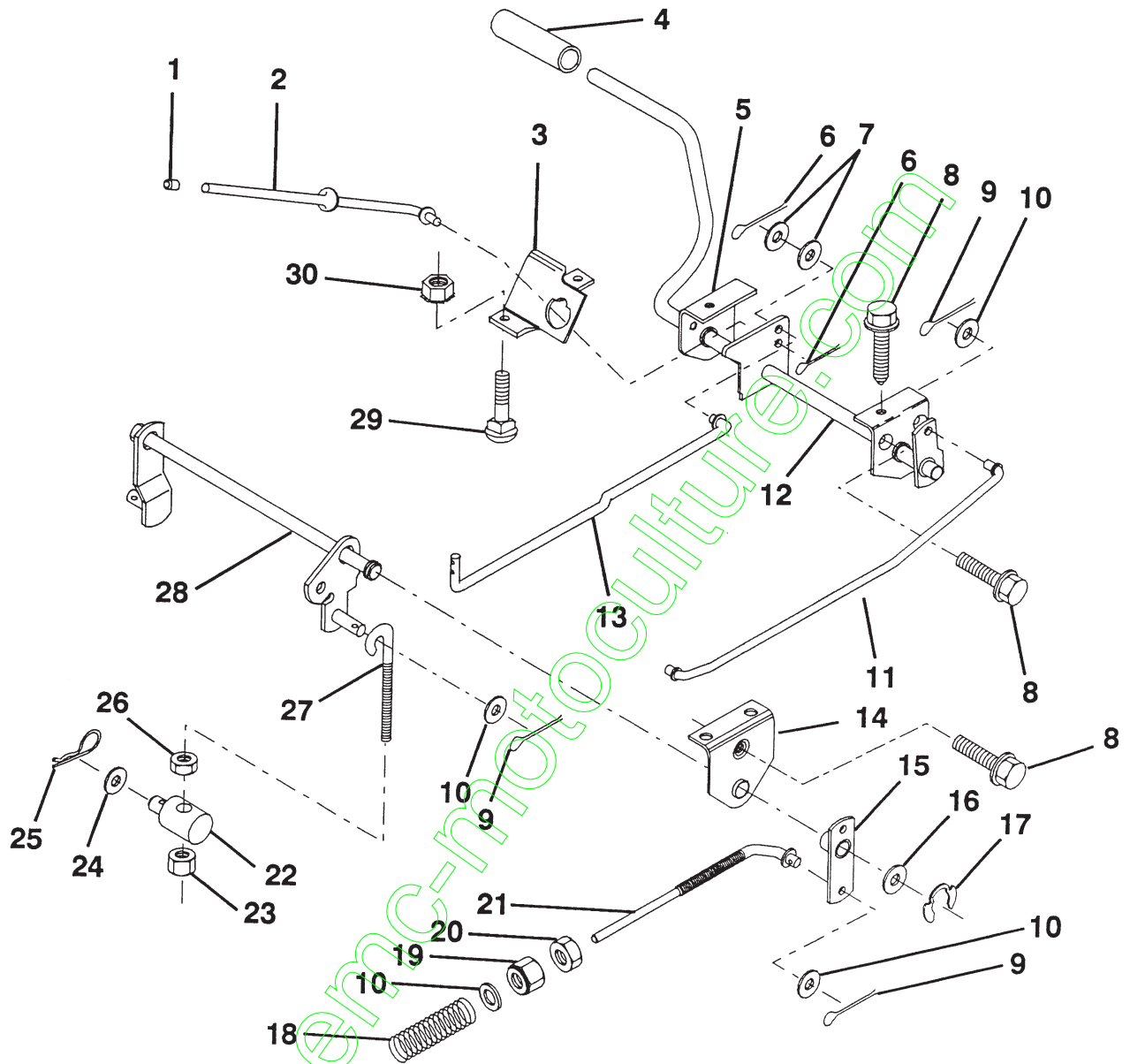
KEY NO.	PART NO.	DESCRIPTION
1	532132566	Link, Drag
2	874780828	Bolt, Fin Hex 1/2-13 x 1-3/4
5	532121926	Gear, Sector
6	532121927	Bushing
7	873030800	Nut, Heavy Hex Top Lock 1/2-13 UNC
8	532126472	Clip, Insulated
9	873680800	Nut, Crownlock 3/8-16
10	876020412	Pin, Cotter 1/8 x 3/4
11	819131316	Washer, 13/32 x 13/16 x 16 Ga.

KEY NO.	PART NO.	DESCRIPTION
12	532126847	Bushing
13	874760512	Bolt, Hex Hd. 5/16-18 UNC x 3/4
14	819111416	Washer 11/32 x 7/8 x 16 Ga.
15	872110606	Bolt, Carriage 3/8-16 UNC x 3/4
16	872140622	Bolt, Carriage
17	532121912	Support, Front Axle
18	873220600	Nut, Fin Hex 3/8-16 UNC
19	873930600	Nut, Centerlock 3/8-16 UNC
20	873680600	Nut, Crownlock 3/8-16 UNC
21	873680500	Nut, Crownlock 5/16-18

HARDWARE SHOWN LARGER FOR EASIER IDENTIFICATION

# ILLUSTRATED PARTS BREAKDOWN

## BRAKE / REAR MOWER LIFT ASSEMBLY



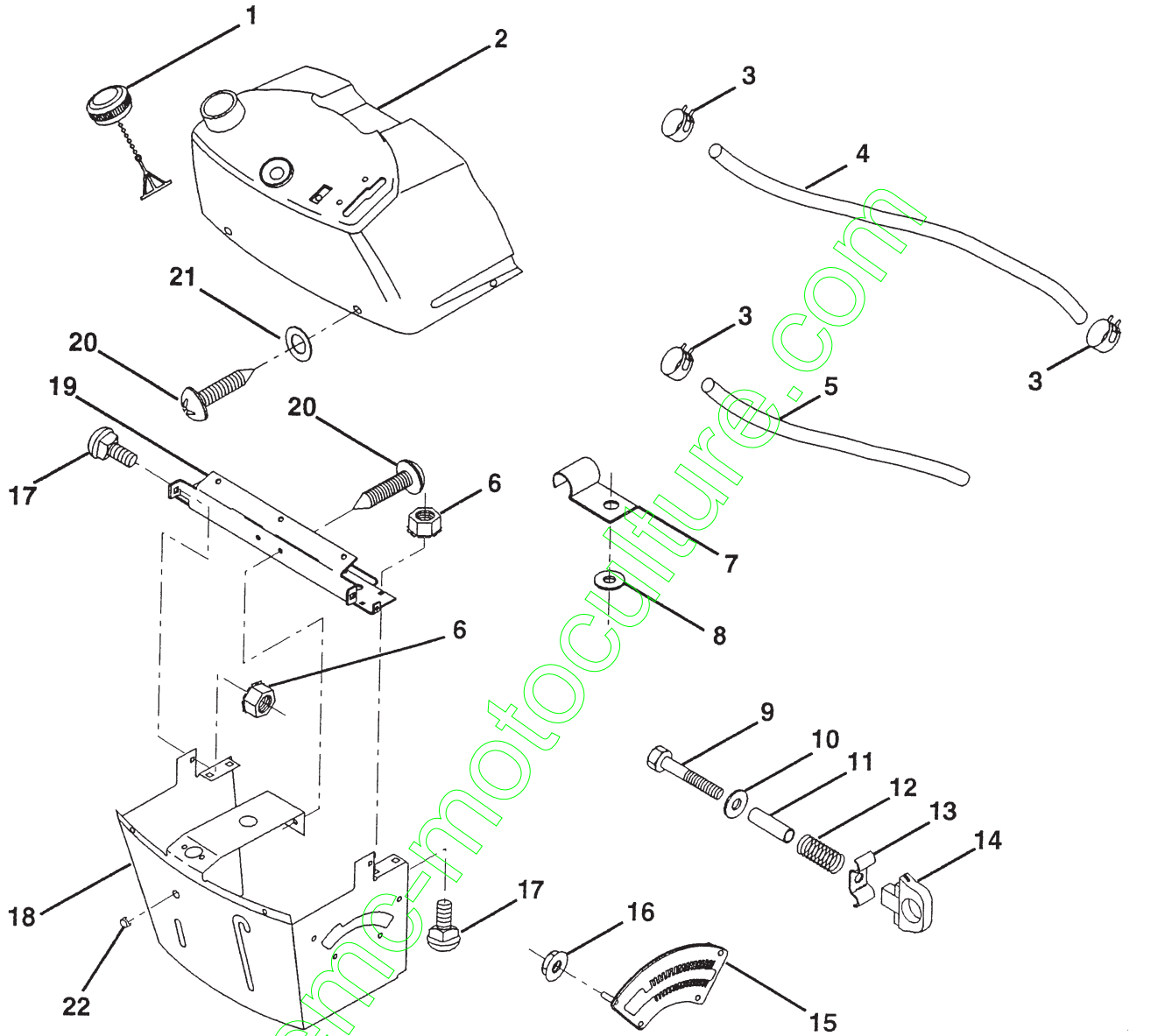
KEY NO.	PART NO.	DESCRIPTION	KEY NO.	PART NO.	DESCRIPTION
1	532071673	Cap, Plunger	16	819251816	Washer 25/32 x 1-1/8 x 16 Ga.
2	532123436	Rod, Parking Brake	17	812000034	Ring, Klip
3	532123437	Bracket, Parking Brake	18	532106888	Spring, Brake Rod
4	532124872	Cover, Pedal	19	873800600	Locknut, Hex w/Washer Insert 3/8-16 UNC
5	532122504	Bracket, Clutch Pedal, LH	20	873350600	Nut, Hex, Jam 3/8-16 UNC
6	876020312	Pin, Cotter 3/32 x 3/4	21	532131460	Rod, Rear Brake
7	819131016	Washer 13/32 x 5/8 x 16 Ga.	22	532127378	Trunnion, Lift
8	817490508	Screw, Hex, Thd. Roll. 5/16-18 x 1/2	23	873680600	Nut, Crownlock 3/8-16 UNC
9	876020412	Pin, Cotter 1/8 x 3/4	24	819132012	Washer 13/32 x 1-1/4 x 12 Ga.
10	819131316	Washer 13/32 x 13/16 x 16 Ga.	25	532124961	Spring, Retainer
11	532131656	Rod, Brake Front	26	873930600	Nut, Centerlock 3/8-16 UNC
12	532133483	Assembly, Clutch/Brake Pedal	27	532127369	Link, Threaded
13	532123394	Rod, Clutch	28	532127358	Assembly, Rear Mower Lift
14	532121978	Bracket, Lift, Shaft	29	872110506	Bolt, Carriage 5/16-18 UNC x 3/4
15	532133332	Assembly, Brake, Pivot, Arm	30	873510500	Nut, Keps 5/16-16 UNC

HARDWARE SHOWN LARGER FOR EASIER IDENTIFICATION



# ILLUSTRATED PARTS BREAKDOWN

## DASH



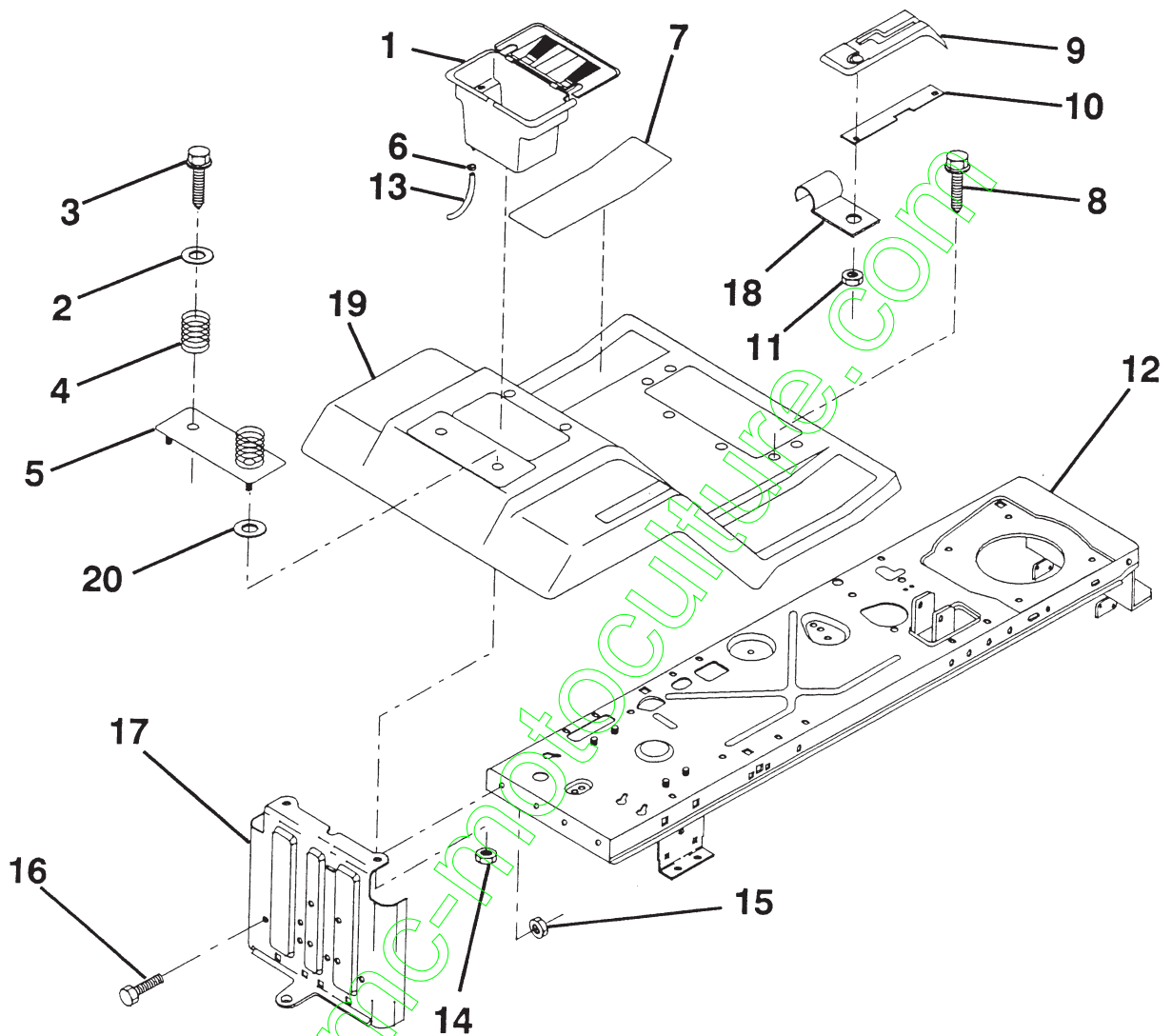
KEY NO.	PART NO.	DESCRIPTION
1	532122015	Cap, Fuel
2	532130913	Assembly, Dash & Fuel Tank
3	532123487	Clamp, Hose
4	532008544	Line, Fuel
5	532008548	Line, Fuel
6	873510400	Nut, Hex, Keps 1/4-20
7	532124996	Clip, Fuel Line
8	819091216	Washer 9/32 x 3/4 x 16 Ga.
9	874760428	Bolt, Hex, Fin 1/4-20 x 1-3/4
10	819091413	Washer 11/32 x 11/16 x 16 Ga.
11	532121249	Spacer, Split

KEY NO.	PART NO.	DESCRIPTION
12	532003720	Spring
13	532126450	Clip, Height Adjustment
14	532126115	Knob, Height Stop
15	532122023	Adjustment, Quadrant Height
16	532124346	Nut, Self-Threading 3/16-18
17	872110404	Bolt, Carriage 1/4-20 x 1/2 Gr. 5
18	532130745	Support Assembly, Dash
19	532134744	Brace, Cross
20	818000408	Screw, Self-Tapping 1/4-20 x 1/2
21	819090816	Washer 9/32 x 1/2 x 16 Ga.
22	532134014	Plug, Dome

HARDWARE SHOWN LARGER FOR EASIER IDENTIFICATION

# ILLUSTRATED PARTS BREAKDOWN

## FENDER / CHASSIS



KEY NO.	PART NO.	DESCRIPTION	KEY NO.	PART NO.	DESCRIPTION
1	532129965	Case, Battery	11	532124346	Nut, Self-Threading, Washer Head 3/16
2	819132012	Washer 13/32 x 1-1/4 x 12 Ga.	12	532133384	Assembly, Frame
3	817490612	Screw, Hex Wsh. Thrdrol. 3/8-16 x 3/4	13	532105687	Tube, Battery Drain
4	532124181	Spring, Compression, Seat	14	873510400	Nut, Keps 1/4-20 UNC
5	532125139	Plate, Asm. Battery	15	873680500	Nut, Crownlock 5/16-18
6	532109596	Clamp, Hose	16	874760512	Bolt, Hex Hd. 5/16-18 UNC x 3/4
7	532124144	Pad, Footrest	17	532127880	Drawbar
8	817490512	Screw, Hex Wsh. Thrdrol. 5/16-18 x 3/4	18	532126470	Clip, Insulated
9	532126995	Console, Shift Control	19	532125140	Fender/Footrest
10	532124307	Bar, Shift Lock	20	819091413	Washer 9/32 x 7/8 x 13 Ga.

HARDWARE SHOWN LARGER FOR EASIER IDENTIFICATION