

**ILLUSTRATED PARTS BREAKDOWN**

**BERNARD**

**13.5 HP LAWN TRACTOR**

**MODEL NO. BL13542ST (BL135T42STA)**

**954 56 68-43**



# REPAIR PARTS

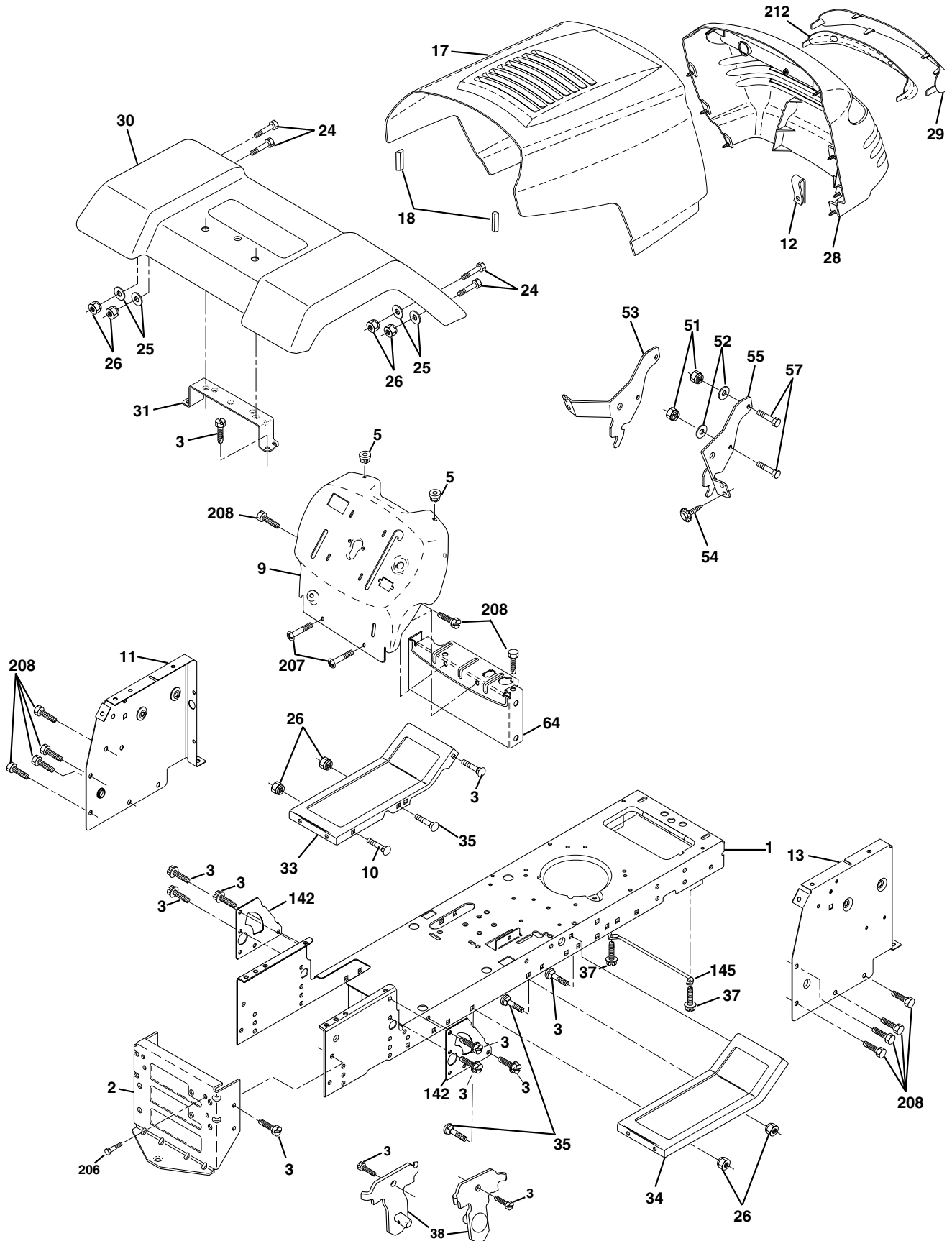
TRACTOR - - MODEL NO. BL13542ST (BL135T42STA), PRODUCT NO. 954 56 68-43  
ELECTRICAL

KEY NO.	PART NO.	DESCRIPTION
1	144925	Battery 12 VOLT 25 AMP
2	74760412	Bolt Hex Hd 1/4-20unc x 3/4
8	156417	Case Battery
16	153664	Switch, Interlock Push-In
21	166181	Harness Asm Light W/4152j
22	4152J	Bulb Light #1156
24	108423X	Cable Battery 6 Ga 16" red
25	146147	Cable Battery 6 Ga w/16 wire red
26	175158	Fuse 20 AMP
27	73510400	Nut, Keps Hex 1/4-20 UNC
28	4207J	Cable Ground 6 Ga 12" black
29	121305X	Switch Plunger Nc Gray
30	175566	Switch Ign
33	140401	Key Ign
40	170217	Harness Ign
41	71110408	Bolt Blk. Fin Hex 1/4-20 Unc x 1/2
42	131563	Cover Terminal Red
43	175141	Solenoid
48	140844	Adapter Ammeter Rectangular
52	141940	Protection Wire Loop

**NOTE:** All component dimensions given in U.S. inches  
1 inch = 25.4 mm

# REPAIR PARTS

TRACTOR - - MODEL NO. BL13542ST (BL135T42STA), PRODUCT NO. 954 56 68-43  
CHASSIS AND ENCLOSURES



# REPAIR PARTS

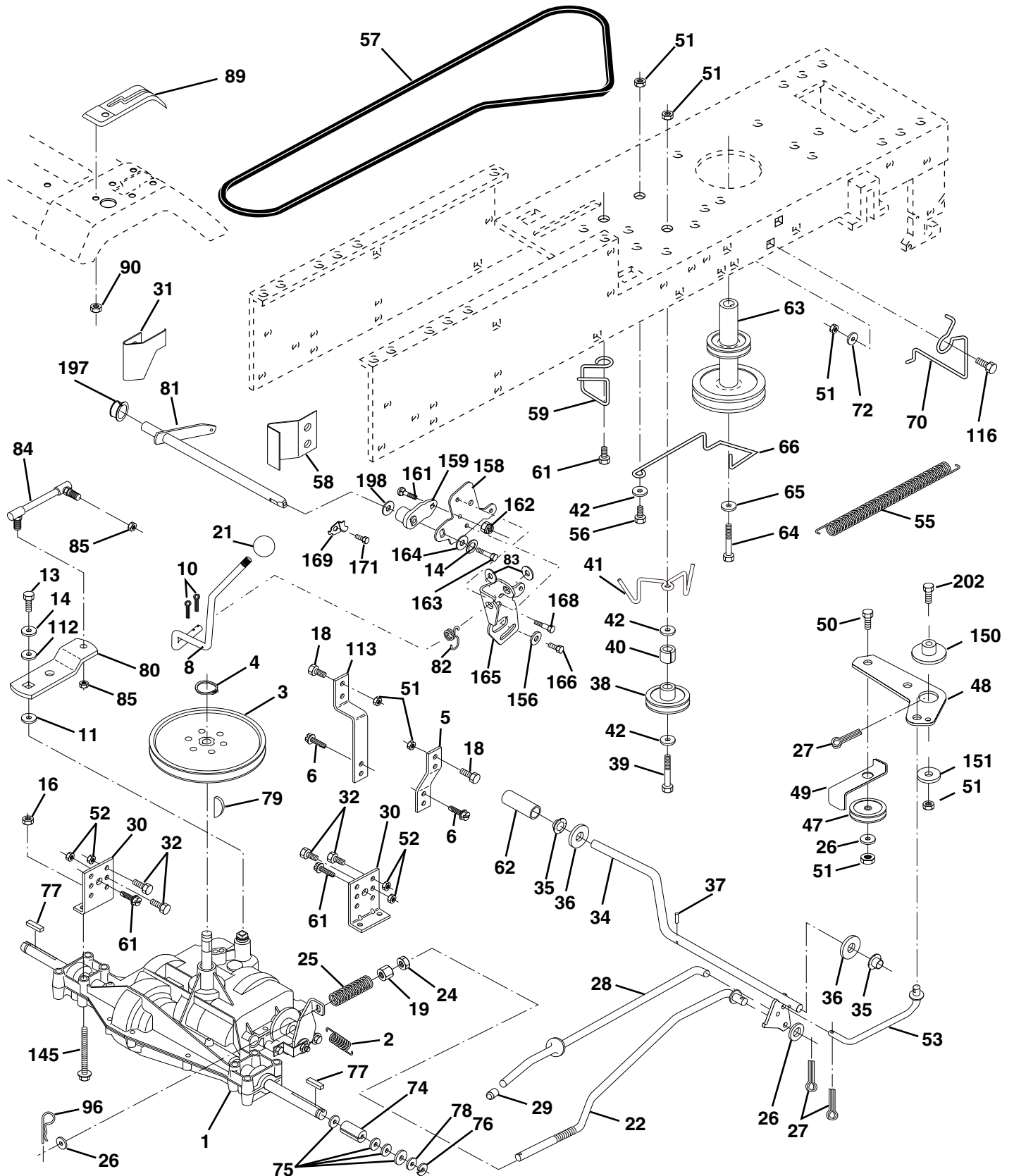
TRACTOR - - MODEL NO. BL13542ST (BL135T42STA), PRODUCT NO. 954 56 68-43  
CHASSIS AND ENCLOSURES

KEY NO.	PART NO.	DESCRIPTION
1	169830	Chassis
2	169061	Drawbar
3	17060612	Screw 3/8-16 x 3/4
5	155272	Bumper Hood/Dash
9	168336X010	Dash.
10	72140608	Bolt, Carriage 3/8-16 x 1
11	155927	Panel, Dash, L.H.
12	145660	Clip Tinnerman Grille P/L
13	172107X010	Panel, Asm. SLKSCR Dash R.H.
17	159639X421	Hood
18	126938X	Bumper Hood
24	74780616	Bolt Fin Hex 3/8-16 UNC X 1 Gr. 5
25	19131312	Washer 13/32 x 13/16 x 12 Gauge
26	73800600	Nut, Lock Hex W/Ins. 3/8-16 UNC
28	146767	Grille/Lens Asm
29	146654X599	Lens, Grille
30	169468X421	Fender
31	136619	Bracket Fender
33	105476X418	Footrest LH
34	105475X418	Footrest RH
35	72110606	Bolt Rdhd Sht Sqnk 3/8-16 x 3/4
37	17490508	Screw Thdrol 5/16-18 x 1/2 TYT
38	169834	Pivot Bracket Assembly
51	73800400	Nut Lock w/Insert 1/4-20 UNC
52	19091416	Washer 9/32 x 7/8 x 16 Ga.
53	144697	Bracket Grille LH
54	161464	Screw Hex WSHD 8-18 x 7/8
55	144696	Bracket Grille RH
57	74780412	Bolt, Fin Hex 1/4-20 UNC x .75
64	154798	Dash Lower STLT
142	165867	Plate Reinforcement STLT
145	156524	Rod Pivot Chassis/Hood
206	170165	Bolt Shoulder
207	17670508	Screw Thdrol 5/16-18 x 1/2 TYTT
208	17670608	Screw Thdrol 3/8-16 x 1/2 TYT
212	156229	Insert Lens Reflective
--	5479J	Plug, Button

**NOTE:** All component dimensions given in U.S. inches  
1 inch = 25.4 mm

# REPAIR PARTS

TRACTOR - - MODEL NO. BL13542ST (BL135T42STA), PRODUCT NO. 954 56 68-43  
DRIVE



# REPAIR PARTS

**TRACTOR - - MODEL NO. BL13542ST (BL135T42STA), PRODUCT NO. 954 56 68-43  
DRIVE**

KEY NO.	PART NO.	DESCRIPTION	KEY NO.	PART NO.	DESCRIPTION
1	----	Transaxle (See Breakdown) Peerless Model 206-545C	59	169691	Keeper Belt Centerspan
2	146682	Spring Return Brake T/a Zinc	61	17060612	Screw 3/8-16 x 3/4 SMGML
3	123666X	Pulley Transaxle 18/20" tires	62	8883R	Cover Pedal Blk Round
4	12000028	Ring Retainer # 5100-62	63	140186	Pulley Eng Cl Mech 38deg LT/YT
5	121520X	Strap Torque 30 Degrees	64	71170764	Bolt Hex 7/16-20 x 4 Gr 5
6	17060512	Screw 5/16-18 x 3/4	65	10040700	Washer Lock Hvy Hlcl Spr 7/16
8	165619	Rod Shifter	66	154778	Keeper Belt Engine
10	76020416	Pin Cotter 1/8 x 1 Cad	69	142432	Screw Hex Wsh Hi-Lo 1/4-1/2 Unc
11	105701X	Washer Plate Shf 388 Sq Hole	70	134683	Guide Belt Mower Drive RH
13	74550412	Bolt 1/4-28unf Gr8 W/Patch	72	19132012	Washer 13/32 x 1-1/4 x 12 Ga
14	10040400	Washer Lock Hvy Helical 1/4	74	137057	Spacer Axle
16	73800500	Nut Lock Hx w/Ins 5/16-18 Unc	75	121749X	Washer 25/32 x 1 1/4 x 16 Ga
18	74780616	Bolt Fin Hex 3/8-16unc x 1 Gr.5	76	12000001	E-ring #5133-75
19	73800600	Nut Lock Hex W/Ins. 3/8-16 Unc	77	123583X	Key Square
21	106933X	Knob Rd 1/2-13 Plstc Thds Blk	78	121748X	Washer 25/32 x 1-5/8 x 16ga
22	130804	Rod Brake Blk Zinc 26 840	79	2228M	Key Woodruff #9 3/16 x 3/4
24	73350600	Nut Hex Jam 3/8-16 Unc	80	131486	Arm, Shift
25	106888X	Spring Rod Brake 2 00 Zinc	81	165594	Shaft Assembly
26	19131316	Washer 13/32 x 13/16 x 16 Ga	82	123782X	Spring, Torsion
27	76020412	Pin Cotter 1/8 x 3/4 Cad	83	19171216	Washer 17/32 x 3/4 x 16 Gauge
28	145204	Rod Brake Parking Lt/Yt	84	166228	Link Transaxle
29	71673	Cap Brake Parking	85	150360	Nut, Nylock
30	174973	Bracket Mtg Transaxle	89	169372X428	Console, Shift
31	127275X	Keeper Belt Lh	96	4497H	Retainer Spring 1"
32	74760512	Bolt Hex Hd 5/16-18unc x 3/4	112	19091210	Washer 9/32 x 3/4 x 10 Ga
34	155071	Shaft Pedal Foot	113	127285X	Strap Torque Lh Lt
35	120183X	Bearing Nylon Blk 629 Id	116	72110610	Bolt Rdhd Sq Neck 3/8-16 x 1.25
36	19211616	Washer 21/32 x 1 x 16 Ga	145	74490540	Bolt Hex FLGHD 5/16-18Gr.5
37	1572H	Pin Roll 3/16 x 1"	150	165850	Bushing
38	131494	Pulley Idler Flat	151	19133210	Washer 13/32 x 2 x 10 Ga.
39	74760644	Bolt Fin Hex 3/8-16 Unc x 2-3/4	156	166002	Washer Srrted 5/16ID x 1 .125
40	4470J	Spacer Split 395 x 59 Bzp	158	165589	Bracket Shift Mount
41	165838	Keeper Belt Idler	159	165494	Hub Tapered Flange Shift Lt
42	19131312	Washer 13/32 x 13/16 x 12 Ga	161	72140406	Bolt Rdhd Sqnk 1/4-20 x 3/4 Gr. 5
47	127783	Pulley Idler	162	73680400	Nut Crownlock 1/4-20 UNC
48	154407	Bellcrank Clutch Grnd Drv STL	163	74780416	Bolt Hex Fin 1/4-20 UNC x 1 Gr. 5
49	123205X	Retainer Belt Style Spring	164	19091010	Washer 5/8 x .281 x 10 Ga.
50	74760624	Bolt Hex Hd 3/8-16unc x 1-1/2	165	165623	Bracket Pivot Lever
51	73680600	Nut Crownlock 3/8-16 Unc	166	166880	Screw 5/16-18 x 5/8
52	73680500	Nut Crown Lock 5/16-18	168	165492	Bolt shoulder 5/16-18 x .561
53	105710X	Link Clutch 7 66	169	165580	Plate Fastening Lt
55	105709X	Spring Return Clutch 6 75	197	169613	Nyliner Snap-In
56	74760620	Bolt Fin Hex 3/8-16 unc x 1-1/4	198	169593	Washer Nyliner
57	130801	V-Belt Gd Drive 95 00	202	72110612	Bolt Carr Sh 3/8-16 x 1-1/2 Gr. 5
58	127274X	Keeper Belt Rh			

**NOTE:** All component dimensions given in U.S. inches  
1 inch = 25.4 mm





# REPAIR PARTS

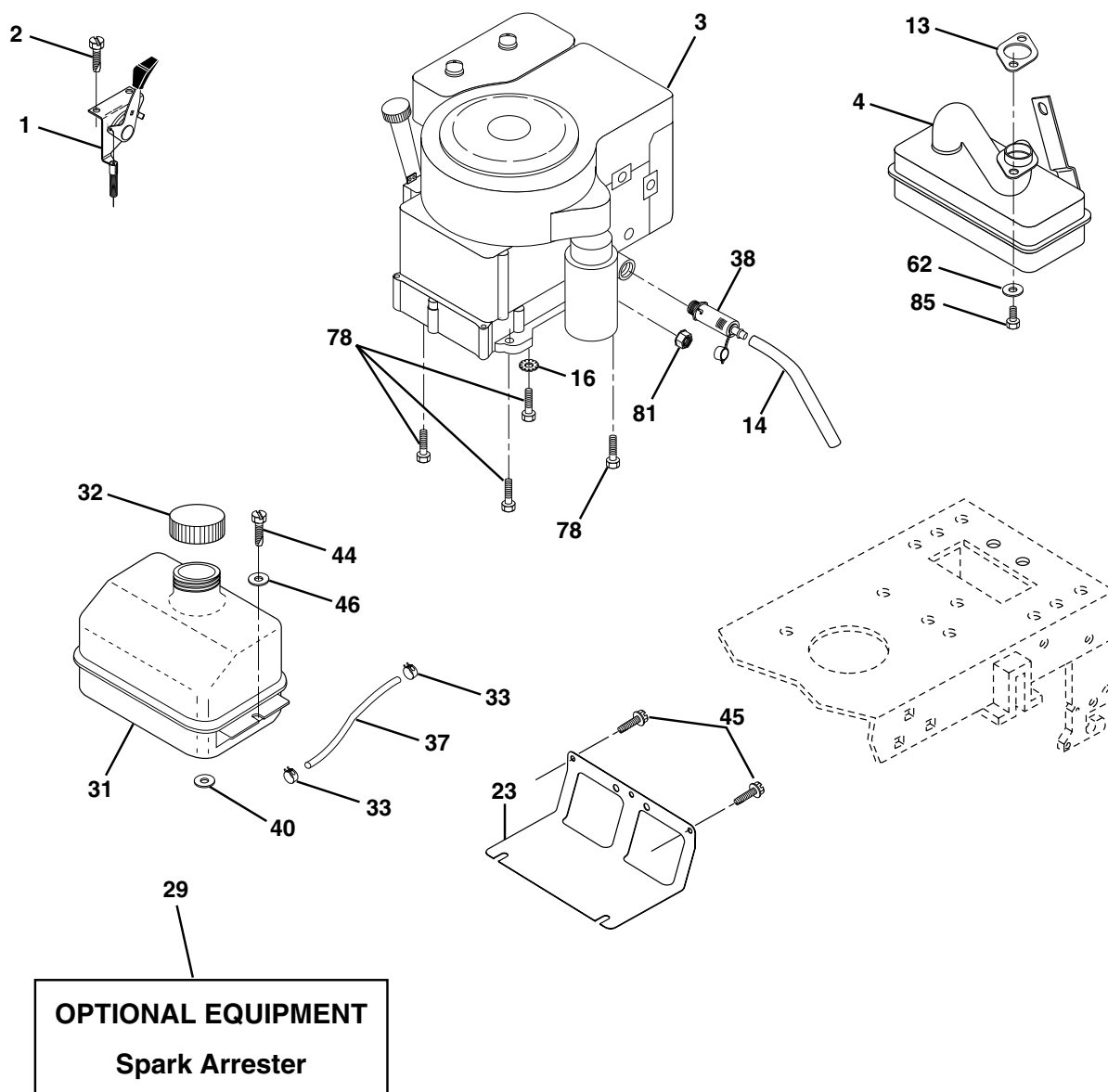
TRACTOR - - MODEL NO. BL13542ST (BL135T42STA), PRODUCT NO. 954 56 68-43  
STEERING ASSEMBLY

KEY NO.	PART NO.	DESCRIPTION
1	139768	Steering Wheel
2	154427	Front Axle Assembly
3	169840	Spindle Assembly, L.H.
4	169839	Spindle Assembly, R.H.
5	6266H	Bearing, Race, Thrust, Hardened
6	121748X	Washer 25/32 x 1-5/8 x 16 Gauge
7	19272016	Washer 27/32 x 1-1/4 x 16 Gauge
8	12000029	Ring, Klip
9	3366R	Bearing, Steering Column
10	169832	Link, Drag
11	10040600	Washer, Lock
13	136518	Spacer, Bearing, Front Axle
15	145212	Nut, Hex Flange Lock
17	156546	Shaft Assembly, Steering
18	57079	Washer, Thrust .515 x .750 x .033
19	160395	Support, Shaft
22	165857	Screw Hex WSH HDTorx
23	165851	Pittman Shaft Assembly
25	154406	Bracket, Steering
26	126847X	Bushing, Link, Drag
27	136874	Gear, Sector
28	19131416	Washer 13/32 x 7/8 x 16 Gauge
29	17060612	Screw 3/8-16 x 3/4
30	76020412	Pin
32	130465	Rod, Tie
36	155099	Bushing, Steering
37	152927	Screw TT #10-32 x 5 x 3/8 Flange
38	140175	Cap Wheel Steer
39	19133812	Washer 13/32 x 2-3/8 x 12 Gauge
40	7810H	Nut Lock Center 3/8-242 Unf
41	100711L	Adaptor, Steering Wheel
42	145054X428	Boot, Steering Dash P/L Mtl Blk
43	121749X	Washer 25/32 x 1-1/4 x 16 Gauge
44	153720	Extension Steering Non-Adjust
46	121232X	Cap, Spindle
47	6855M	Fitting, Grease
51	73800500	Nut Lock Hx W/Ins 5/16-18 UNC
54	74780520	Bolt Fin Hex 5/16-18 UNC x 1-1/4
62	167902	Kit, Steering Assembly, Service
63	74780616	Bolt Fin Hex 3/8-16 unc. x 1 Gr. 5
65	160367	Spacer Axle
66	154404	Bearing Arm Pittman
67	72140618	Bolt RdHd Sq 3/8-16 x 2-1/4
68	169827	Brace Axle
79	19132012	Washer 13/32 x 1-1/4 x 12 Ga.
80	74950612	Bolt Hex Nylon 3/8-16 x 3/4
82	169835	Bracket Susp Chassis Front
85	133835	Fastener Christmas Tree

**NOTE:** All component dimensions given in U.S. inches  
1 inch = 25.4 mm

# REPAIR PARTS

TRACTOR - - MODEL NO. BL13542ST (BL135T42STA), PRODUCT NO. 954 56 68-43  
ENGINE



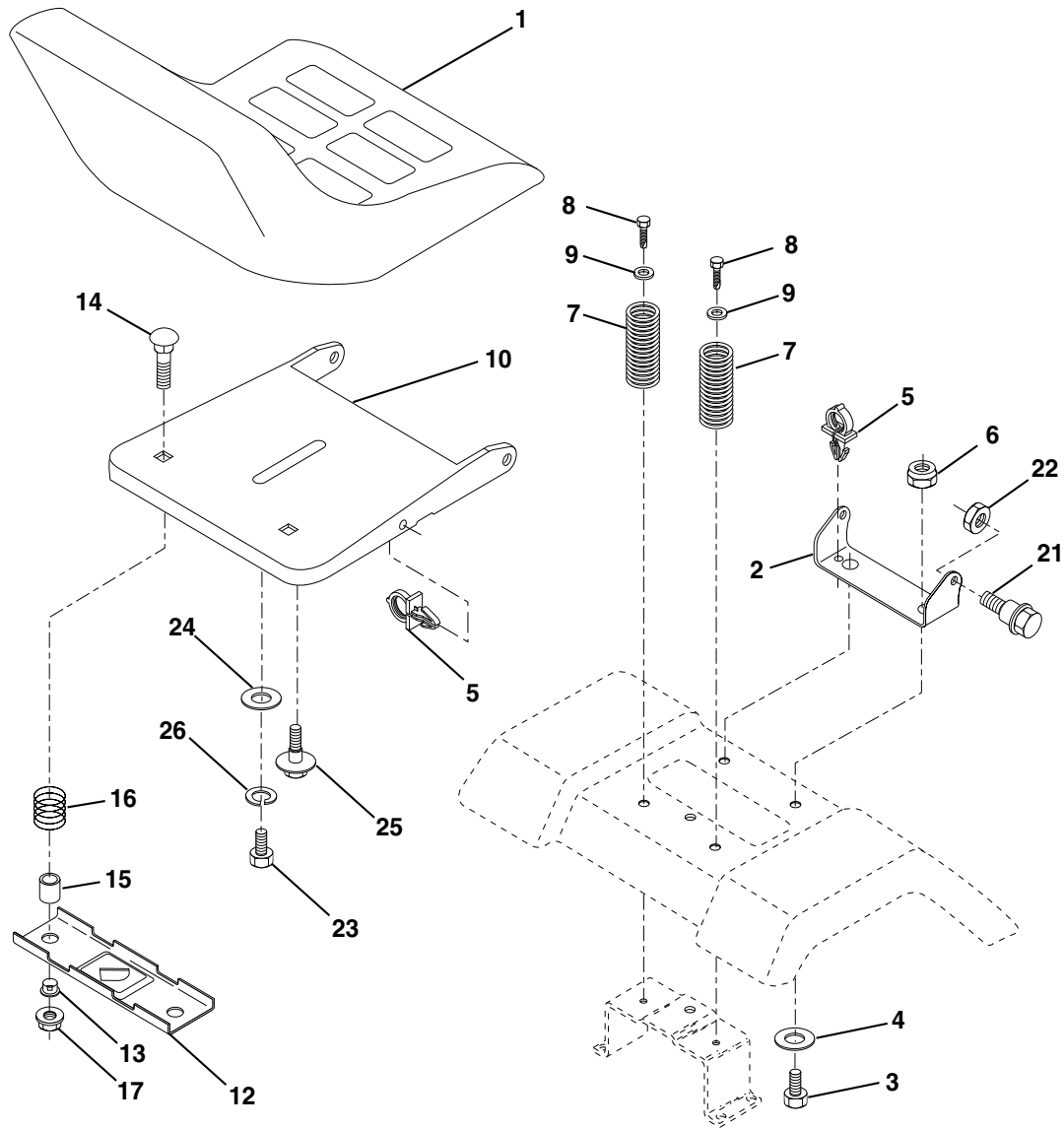
KEY NO.	PART NO.	DESCRIPTION
1	170551	Control Th/ch Flag
2	17720410	Screw Hex Thd Cut 1/4-20x5/8 T
3	-----	Engine Tecumseh Model OHV135 (Order parts from engine manufacturer)
4	156700	Muffler Tec 11/13.0 HP LT
13	165291	Gasket Eng 1 313 Id Tin Plated
14	148456	Tube Drain Oil Easy
16	11050600	Washer Lock Ext Tooth 3/8
23	169837	Shield Brn/Dbr Guard
29	137180	Kit Spark Arrestor (Flat Scrn)
31	109202X	Tank Fuel Front 2 00
32	140527	Cap Asm Fuel
33	123487X	Clamp Hose Blk

KEY NO.	PART NO.	DESCRIPTION
37	137040	Line Fuel
38	148315	Plug Drain Oil Easy
40	124028X	Bushing Snap Nyl Blk Fuel Line
44	17670412	Screw Hexwsh Thdrol 1/4-20x3/4
45	17000612	Screw Hexwsh Thdr 3/8-16 x 3/4
46	19091416	Washer 9/32 X 7/8 X 16 Ga
62	10040500	Washer 5/16
78	17060620	Screw 3/8-16x1-1/4
81	73510400	Nut Keps Hex 1/4-20 Unc
85	123528X	Bolt Hex Hd Phillips

**NOTE:** All component dimensions given in U.S. inches  
1 inch = 25.4 mm

# REPAIR PARTS

TRACTOR - - MODEL NO. BL13542ST (BL135T42STA), PRODUCT NO. 954 56 68-43  
SEAT ASSEMBLY



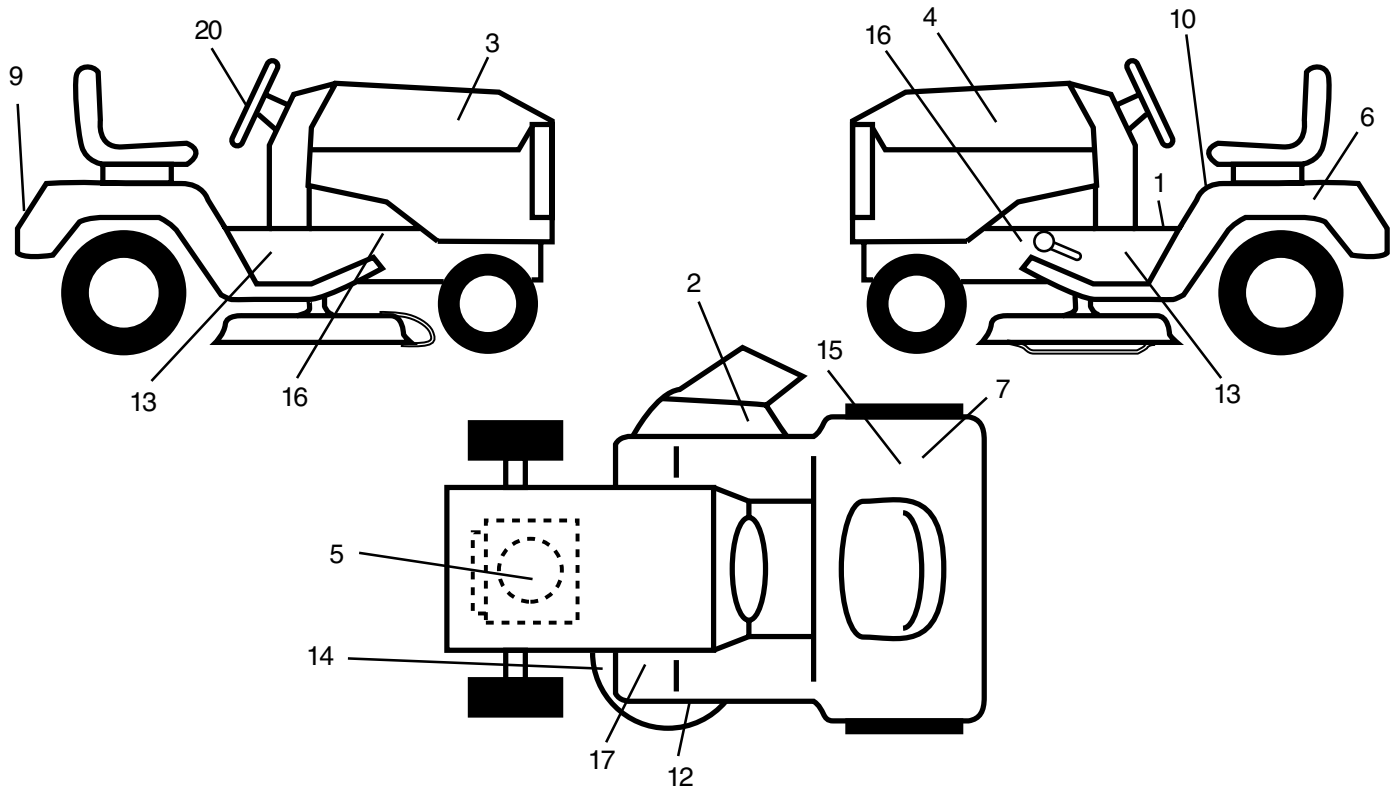
KEY NO.	PART NO.	DESCRIPTION
1	175389	Seat
2	140551	Bracket Pnt Pivot Seat (blk )
3	71110616	Bolt Fin Hex 3/8-16unc X 1
4	19131610	Washer 13/32 X 3/4 X 10 Ga
5	145006	Clip Push In Hinged
6	73800600	Nut Hex Lock w/Ins 3/8-16 Unc
7	124181X	Spring Seat Cprsn 2 250 Blk Zi
8	17000616	Screw 3/8-16 X 1 Ty-tt
9	19131614	Washer 13/32 X 1 X 14 Ga
10	174894	Pan Pnt Seat (blk )
12	121246X	Bracket Pnt Mounting Switch
13	121248X	Bushing Snap Blk Nyl 50 Id

KEY NO.	PART NO.	DESCRIPTION
14	72050412	Bolt Rdhd Sht Nk 1/4-20x1-1/2
15	134300	Spacer Split 28 X 96 Zinc
16	121250X	Spring Cprsn 1 27 Blk Pnt
17	123976X	Nut Lock 1/4 Lge Fig Gr 5 Zinc
21	171852	Bolt Shoulder 5/16-18 Unc-2A
22	73800500	Nut Hex Lock w/Ins 5/16-18
23	71110814	Bolt Hex Black
24	19171912	Washer 17/32 X 1-3/16 X 12 Ga
25	127018X	Bolt Shoulder 5/16-18 X 62
26	10040800	Washer Lock Hvy Hlcl Spr 1/2

**NOTE:** All component dimensions given in U.S. inches  
1 inch = 25.4 mm

# REPAIR PARTS

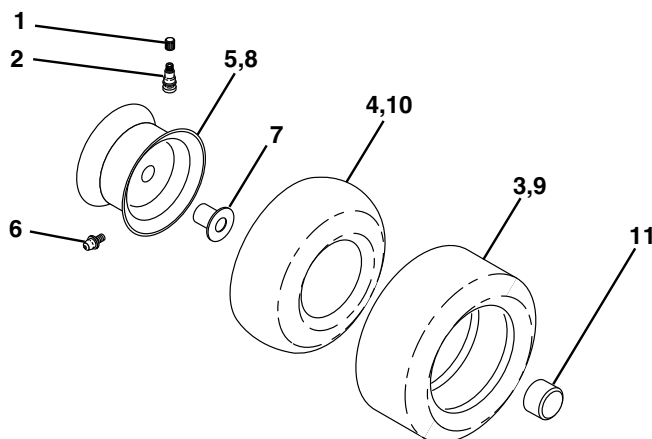
TRACTOR - - MODEL NO. BL13542ST (BL135T42STA), PRODUCT NO. 954 56 68-43  
DECALS



KEY NO.	PART NO.	DESCRIPTION
1	140837	Decal, Saddle Brake Parking
2	145494	Decal, Mower Cut Finger Symbol
3	175948	Decal, Hood Rh
4	175949	Decal, Hood Lh
5	64-1727-29	Decal, Hp Engine
6	145005	Decal, Bat Dan/Poi
7	126187X	Decal, 100 DBA
9	166708	Decal, Fender
10	145498	Decal, Read Owners Manual
12	134999	Decal, Enviro

KEY NO.	PART NO.	DESCRIPTION
13	157624	Decal, Chassis
14	160396	Decal, V-belt Schematic
15	145437	Decal, Europe Stand CE
16	159736	Decal Chassis Hot Muffler
17	159737	Decal Brake/Clutch Symbol
20	166285	Decal, Ins Strg Whl
--	138311	Decal, Lift Handle
--	162598	Decal, Drawerbar Load Limit
--	176048	Manual Oper Euro

## WHEELS & TIRES

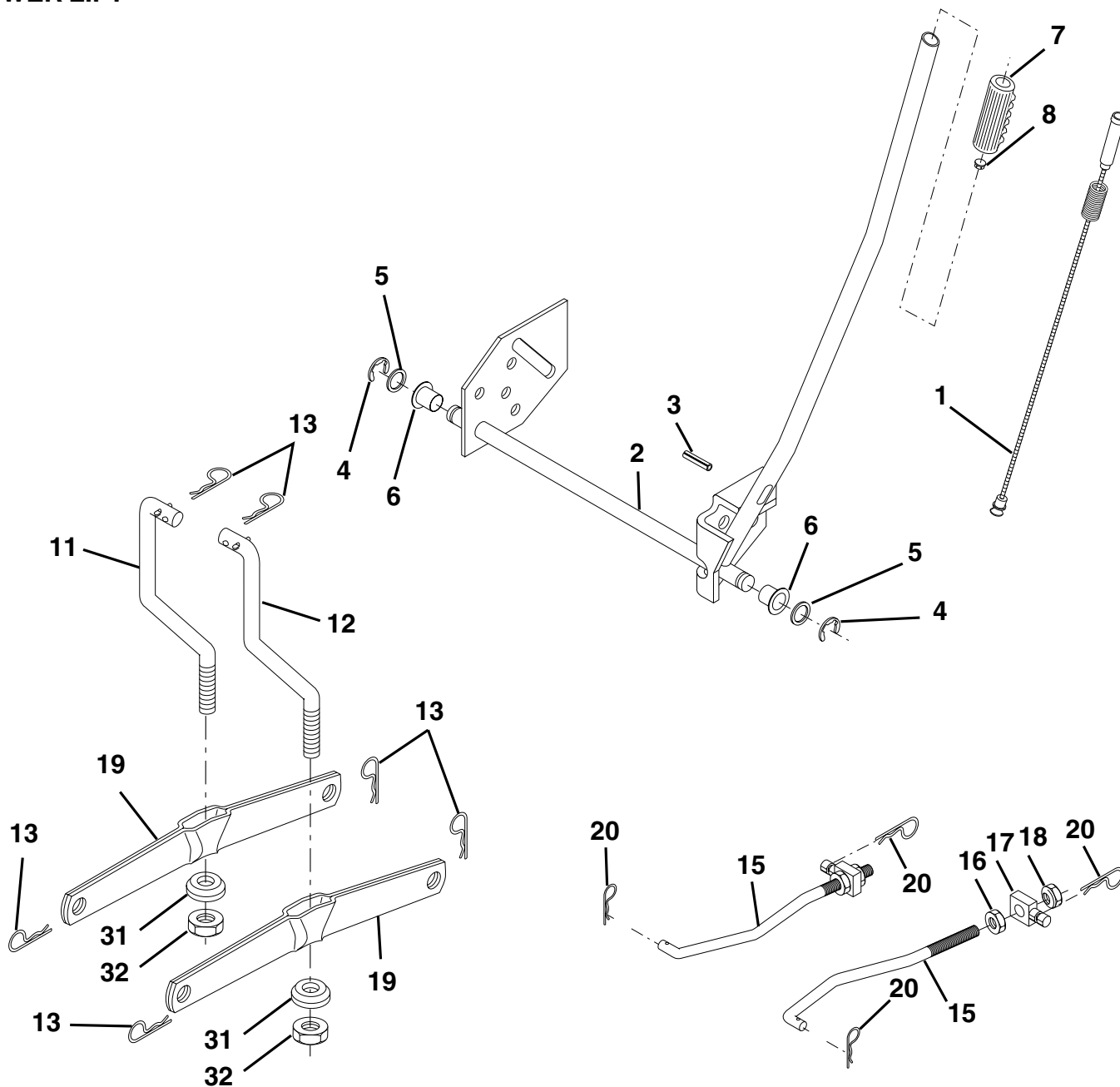


KEY NO.	PART NO.	DESCRIPTION
1	59192	Cap Valve Tire
2	65139	Stem Valve
3	106222X	Tire F Ts 15 X 6 0 - 6 Service
4	59904	Tube Inner Front #35060
5	106732X421	Rim Asm 6"front Service
6	278H	Fitting Grease
7	9040H	Bearing Flange
8	106108X421	Rim Asm 8"rear Service
9	124635X	Tire R Ts 18x8 5-8 Service
10	7152J	Tube Rear 9 5 X 8 Service
11	104757X428	Cap Axle Blk 1 50 X 1 00
--	144334	Sealant, Tire (10 oz. tube)

**NOTE:** All component dimensions given in U.S. inches  
1 inch = 25.4 mm

# REPAIR PARTS

TRACTOR - - MODEL NO. BL13542ST (BL135T42STA), PRODUCT NO. 954 56 68-43  
MOWER LIFT



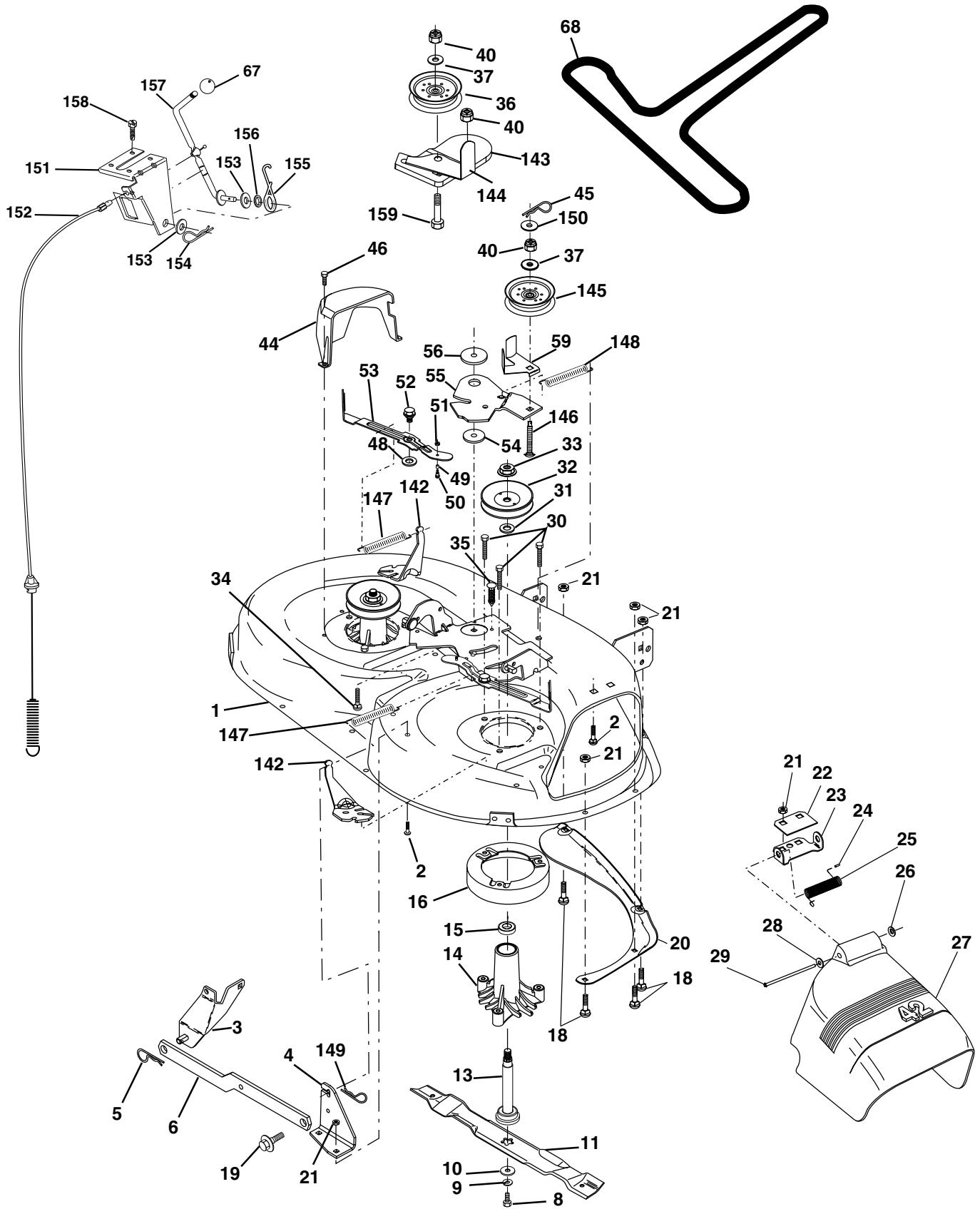
KEY NO.	PART NO.	DESCRIPTION
1	159460	Washer Asm Inner Spring W/Plunger
2	159471	Shaft Asm. Lift RH
3	105767X	Pin Groove
4	12000002	E Ring #5133-62
5	19211621	Washer 21/32 x 1 x 21 Ga.
6	120183X	Bearing Nylong
7	109413X	Grip Handle
8	124526X	Button Plunger
11	139865	Link Asm Lift L.H.
12	139866	Link Asm Lift R.H.
13	4939M	Retainer Spring

KEY NO.	PART NO.	DESCRIPTION
15	173288	Link Front
16	73350800	Nut Jam Hex 1/2-13 Unc
17	130171	Trunnion Blk Zinc
18	73680800	Nut Crownlock 1/2-13 Unc
19	139868	Arm Suspension Mower
20	163552	Retainer Spring
31	169865	Bearing, Pvt. Lift.
32	73540600	Nut Crownlock 3/8-24

**NOTE:** All component dimensions given in U.S. inches  
1 inch = 25.4 mm

# REPAIR PARTS

TRACTOR - - MODEL NO. BL13542ST (BL135T42STA), PRODUCT NO. 954 56 68-43  
MOWER DECK



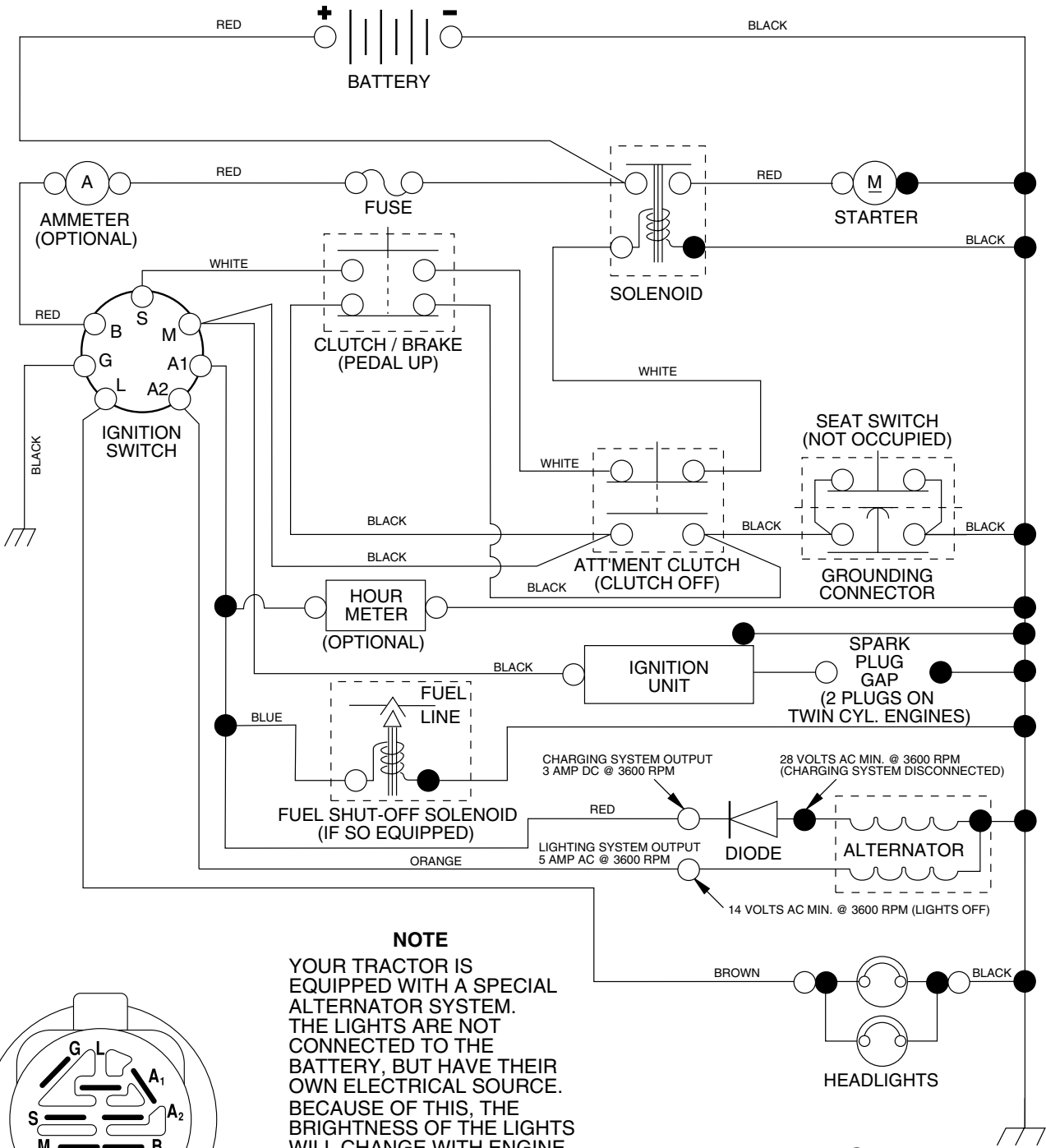
# REPAIR PARTS

**TRACTOR - - MODEL NO. BL13542ST (BL135T42STA), PRODUCT NO. 954 56 68-43  
MOWER DECK**

KEY NO.	PART NO.	DESCRIPTION	KEY NO.	PART NO.	DESCRIPTION
1	165892	Mower Deck Assembly, 42"	48	133944	Washer, Hardened
2	72140506	Bolt	49	174284	Roller Assembly, Cam Follower
3	138017	Bracket Assembly, Sway Bar, Front	50	131340	Bolt, Shoulder #10-24 Grade 5
4	165460	Bracket Sway Bar 38/42" Deck	51	69180	Locknut
5	4939M	Retainer Spring	52	139888	Bolt, Shoulder 5/16-18 UNC
6	130832	Arm, Suspension, Rear	53	131845	Arm Assembly, Pad, Brake
8	850857	Bolt, Hex 3/8-24 x 1.25 Gr. 8	54	133943	Washer, Hardened
9	10030600	Washer, Lock	55	155046	Arm, Idler
10	140296	Washer, Hardened	56	165723	Spacer, Retainer
11	138498	Blade, Mulching	59	141043	Guard, TUV Idler
13	137645	Shaft Assembly, Mandrel, Vented (Includes Key Number 12)	67	106932X	Knob
14	128774	Housing, Mandrel, Vented	68	144959	V-Belt
15	110485X	Bearing, Ball, Mandrel	142	165890	Arm Spring Brake Mower
16	140329	Stripper, Vented Mower Deck	143	157109	Bracket Arm Idler 42"
18	72140505	Bolt, Carriage 5/16-18 x 5/8	144	158634	Keeper Belt 42" Clutch Cable
19	132827	Bolt, Shoulder	145	165888	Pulley Idler Flat
20	159770	Baffle, Vortex	146	171977	Bolt Carriage Idler
21	73680500	Nut Crownlock 5/16-18 UNC	147	131335	Spring Extension
22	134753	Stiffener Bracket	148	169022	Spring Return Idler
23	131267	Bracket, Deflector	149	165898	Retainer Spring Yellow Zinc
24	105304X	Cap, Sleeve	150	19091216	Washer 9/32 x 3/4 x 16 Ga.
25	123713X	Spring, Torsion, Deflector	151	169670	Bracket Clutch
26	110452X	Nut, Push	152	169676	Cable Clutch 42 In
27	130968x428	Shield, Deflector	153	169674	Washer Flat 3/8" Type B
28	19111016	Washer 11/32 x 5/8 x 16 Ga.	154	169675	Spring Retainer
29	131491	Rod, Hinge	155	169671	Spring Retention Lever
30	157722	Screw Thdrol Washer Head	156	169672	Spacer
31	129963	Washer, Spacer	157	169669	Rod Clutch
32	153535	Pulley, Mandrel	158	17720410	Screw Hex Thd Cut 1/4-20 x 5/8
33	137266	Nut, Toplock, Flanged	159	72140614	Bolt RdHd Sqn 3/8-16 Unc x 1-3/4
34	72110614	Bolt	--	130794	Mandrel Assembly (Includes Key Numbers 8-10, 12-15, 31 and 32)
35	133835	Fastner, Christmas Tree	--	171639	Mower Deck, Complete (Standard Deck)
36	131494	Pulley, Idler, Flat			
37	19131316	Washer 13/32 x 13/16 x 16 Gauge			
40	73680600	Nut Crownlock 3/8-16 UNC			
44	140088	Guard, Mandrel, L.H.			
45	4497h	Retainer			
46	137729	Screw, Thd. Roll 1/4-20 x 5/8			

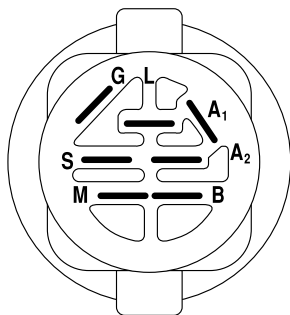
**NOTE:** All component dimensions given in U.S. inches  
1 inch = 25.4 mm

# TRACTOR - - MODEL NO. BL13542ST (BL135T42STA), PRODUCT NO. 954 56 68-43 SCHEMATIC



## NOTE

YOUR TRACTOR IS EQUIPPED WITH A SPECIAL ALTERNATOR SYSTEM. THE LIGHTS ARE NOT CONNECTED TO THE BATTERY, BUT HAVE THEIR OWN ELECTRICAL SOURCE. BECAUSE OF THIS, THE BRIGHTNESS OF THE LIGHTS WILL CHANGE WITH ENGINE SPEED. AT IDLE THE LIGHTS WILL DIM. AS THE ENGINE IS SPEEDED UP, THE LIGHTS WILL BECOME THEIR BRIGHTEST.



IGNITION SWITCH

POSITION	CIRCUIT	"MAKE"
OFF	M+G+A1	NONE
RUN/LIGHT	B+A1	A2+L
RUN	B+A1	NONE
START	B + S + A1	NONE

## WIRING INSULATED CLIPS

NOTE: IF WIRING INSULATED CLIPS WERE REMOVED FOR SERVICING OF UNIT, THEY SHOULD BE REPLACED TO PROPERLY SECURE YOUR WIRING.

NON-REMOVABLE CONNECTIONS

REMOVABLE CONNECTIONS