

# CATALOGUE PIECES DE RECHANGE

# BERNARD Loisirs

TRACTEUR DE PELOUSE

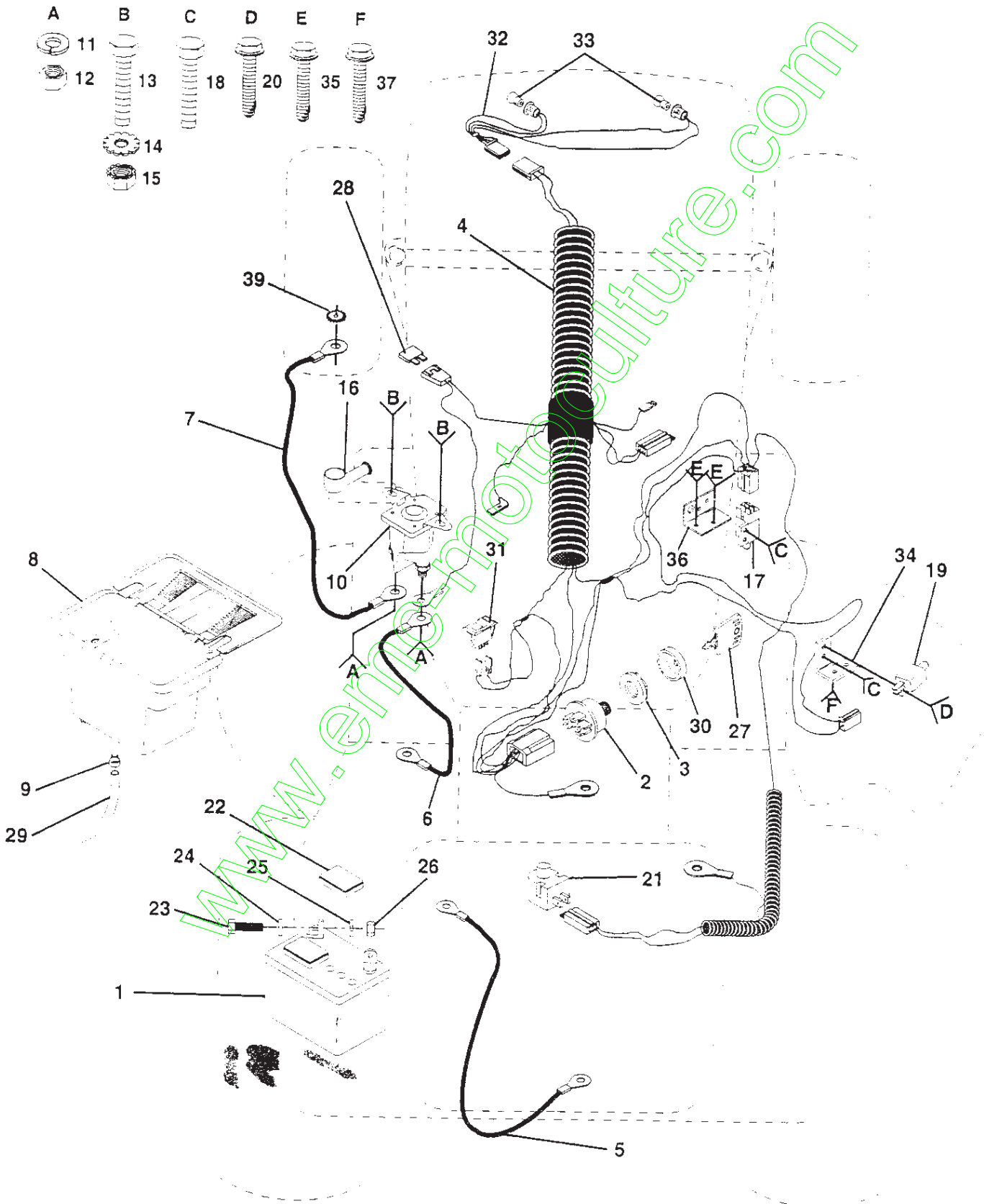
MODELE : BL 1442 LT

N° DE PRODUIT : 9540023 ~~51~~ 51

# REPAIR PARTS

12.5 HP 42" TRACTOR - - MODEL NUMBER BL12542A

## ELECTRICAL



# REPAIR PARTS

14 HP 42" TRACTOR - - MODEL NO. BL1442A, PRODUCT NO. 954 00 23-31

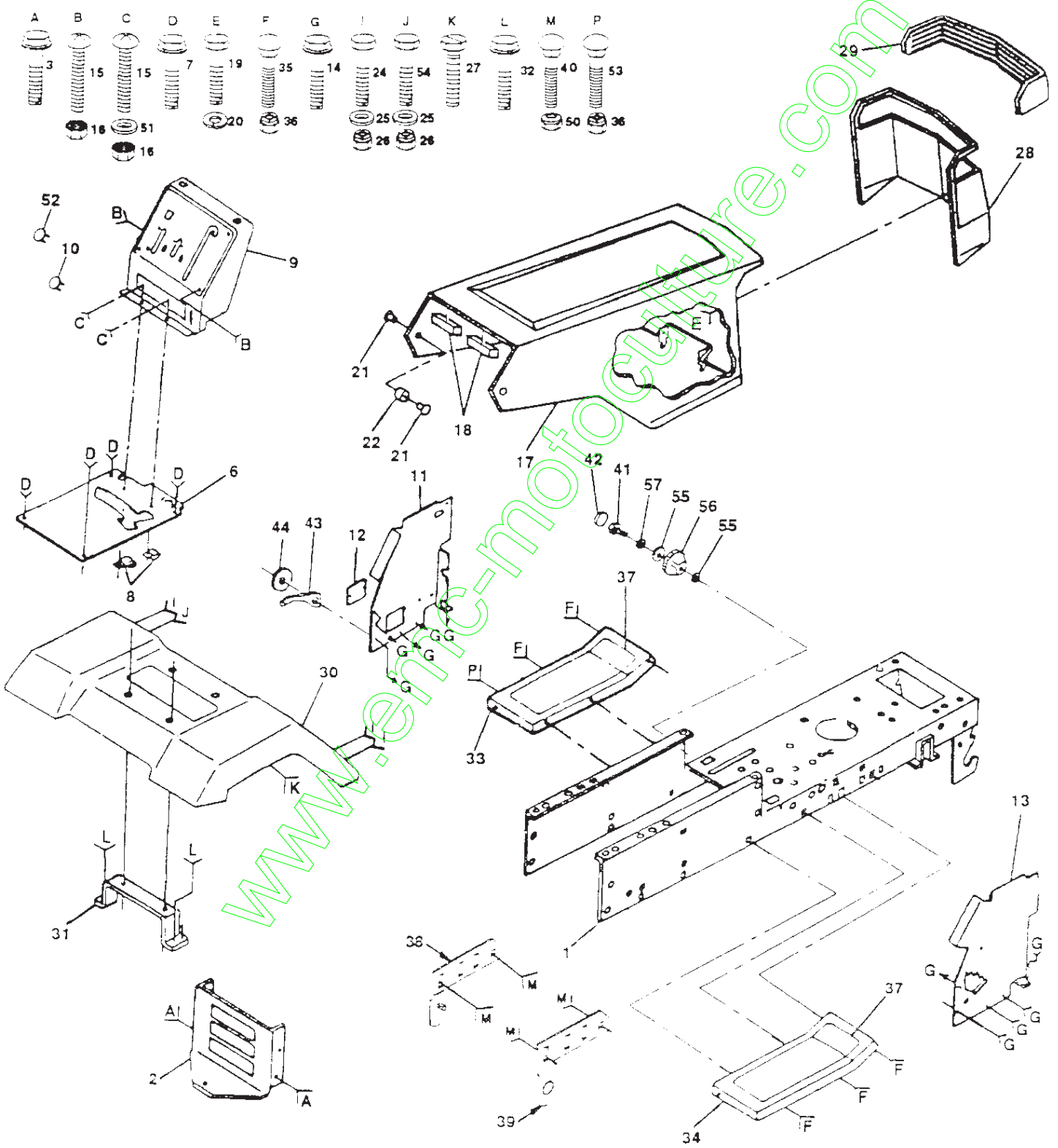
## ELECTRICAL

KEY NO.	PART NO.	DESCRIPTION
1	532121265	Battery 12 VOLT 25 AMP
2	532102972	Switch Ignition 5 Term
3	532124211	Nut Ignition
4	532138550	Harness Asm B&S Fender Hl
5	532124773	Cable Ground 6 Ga 12"black
6	532132202	Cable Battery 6 Ga 43"red
7	532124780	Cable Battery 6 Ga 11"red
8	532129965	Case Battery Hng Mech W/lid
9	532109596	Clamp Hose Olive
10	532109081	Solenoid
11	810090400	Washer Lock 1/4
12	873350400	Nut Jam Hex 1/4-20 Unc
13	874780408	Bolt Hex Hd Fin 1/4-20 x 1/2 Gr. 5
14	811050400	Washer Lock Ext Tooth 1/4
15	873510400	Nut Keys Hex 1/4-20 Unc
16	532131563	Cover Terminal Red
17	532109553	Switch Intlk Clutch Gry 4 Term
18	817021008	Screw Tap Hex #10-24unc X 1/2
19	532104445	Switch Intlk Clutch Gry 2 Term
20	817021008	Screw Tap Hex #10-24unc X 1/2
21	532121305	Switch Plunger Nc Gray
22	532121264	Caps Battery 20/25/30 AMP
23	874760412	Bolt Hex Hd 1/4-20unc X 3/4
24	819091016	Washer 9/32 X 5/8 X 16 Ga
25	810040400	Washer Lock Hvy Helical 1/4
26	873220400	Nut Fin Hex 1/4-20 Unc
27	532122147	Key ign Molded Generic
28	532108824	Fuse 30 AMP Auto Green
29	532109238	Tube Plastic 12"
30	532123620	Cover Sw Key Blk 1 25 Text SLT
31	532110712	Switch Light Blk Blk Red
32	532136849	Harness Asm Light W/7662j
33	532004152	Bulb Light #1155
34	532108236	Bracket Switch Clutch
35	817021008	Screw Tap Hex #10-24unc X 1/2
36	532130890	Bracket Switch Interlock
37	817021008	Screw Tap Hex #10-24unc X 1/2
39	811150400	Washer Lock Internal Tooth 1/4

**NOTE:** All component dimensions given in U.S. inches.  
1 inch = 25.4 mm.

# REPAIR PARTS

14 HP 42" TRACTOR - - MODEL NO. BL1442A, PRODUCT NO. 954 00 23-31  
CHASSIS AND ENCLOSURES



# REPAIR PARTS

14 HP 42" TRACTOR - - MODEL NO. BL1442A, PRODUCT NO. 954 00 23-31

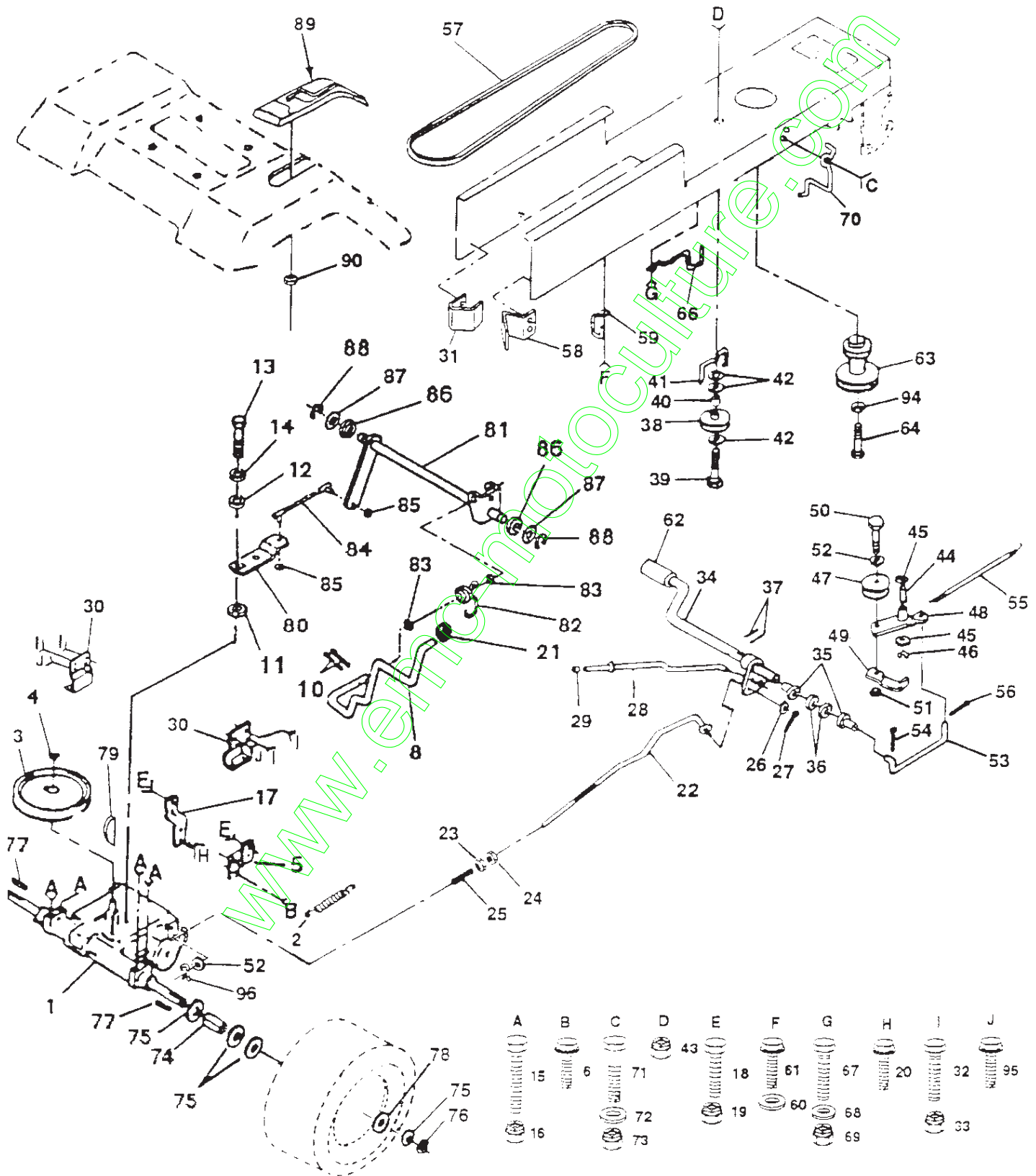
## CHASSIS AND ENCLOSURES

KEY NO.	PART NO.	DESCRIPTION
1	532135034	Chassis Widmt 11ga 38/42 W/pvt
2	532137275	Drawbar Stretch
3	817490612	Screw Thdrol 3/8-16x3/4 Ty-tt
6	532138331	Saddle Slkscr W/sym Fender/shf
7	817490608	Screw Thdrol 3/8-16x1/2 Ty-tt
8	532124996	Clip Line Fuel 13/32 Mtg Hole
9	532138332	Dash Slkscr 1-pc M N/i N/c Sym
10	532005479	Plug Button Blk 359 Dia Choke
11	532122795	Panel Dash LH
12	532121794	Cover Access Black Square
13	532126276	Panel Dash RH Weldment
14	817490608	Screw Thdrol 3/8-16x1/2 Ty-tt
15	874180512	Screw Mach TRHD 5/16-18uncx3/4
16	873510500	Nut Keps 5/16-18 Unc
17	532125153	Hood Asm Pnt Weld Yel Slope
18	532126938	Bumper Hood
19	874760408	Bolt Fin Hex 1/4-20unc X 1/2
20	810040400	Washer Lock Hvy Helical 1/4
21	532122933	Rivet Ratchet Nylon
22	532124479	Washer Nylon Blk 28x 75x 19
24	874760612	Bolt Fin Hex 3/8-16unc X 3/4
25	819131312	Washer 13/32 X 13/16 X 12 Ga
26	873680600	Nut Crownlock 3/8-16 Unc
27	817490608	Screw Thdrol 3/8-16x1/2 Ty-tt
28	532123915	Grille Grey
29	532124029	Lens Headlight Bar Clear
30	532125123	Fender Pnt LT W/shf W/ign
31	532136619	Bracket Fender Repl 109873x
32	817490612	Screw Thdrol 3/8-16x3/4 Ty-tt
33	532124899	Footrest Pnt LH (Husq Gray)
34	532124914	Footrest Pnt RH (Husq Gray)
35	872110606	Bolt Rdhd Sht Sqnk 3/8-16 X3/4
36	873680600	Nut Crownlock 3/8-16 Unc
37	532108256	Pad Footrest Rbr Sq Generic
38	532134774	Bracket Asm Pvt42 LH MWR Rear
39	532134775	Bracket Asm Pvt42 RH MWR Rear
40	872140606	Bolt Rdhd Sqnk 3/8-16unc X3/4
41	874780516	Bolt Fin Hex 5/16-18unc X 1 00
42	532123935	Plug Hole Blk 1 485/1 515 Dia
43	532138346	Pointer Pnt Height Ind 505
44	532120529	Washer Nylon 44 X 75 X 032
50	873800600	Nut Lock Hex W/wsh 3/8-16unc
51	819131216	Washer 13/32 X 3/4 X 16 Ga
52	532134014	Plug Dome Black
53	872140608	Bolt Rdhd Sqnk 3/8-16unc X 1
54	874760614	Bolt Fin Hex 3/8-16unc X 7/8
55	819112410	Washer 11/32 X 1-1/2 10 Ga
56	532123934	Scale Ind Height Blk
57	810040500	Washer Lock Hvy Hlcl Spr 5/16

NOTE: All component dimensions given in U.S. inches.  
1 inch = 25.4 mm.

# REPAIR PARTS

14 HP 42" TRACTOR - - MODEL NO. BL1442A, PRODUCT NO. 954 00 23-31  
DRIVE



# REPAIR PARTS

14 HP 42" TRACTOR - - MODEL NO. BL1442A, PRODUCT NO. 954 00 23-31

## DRIVE

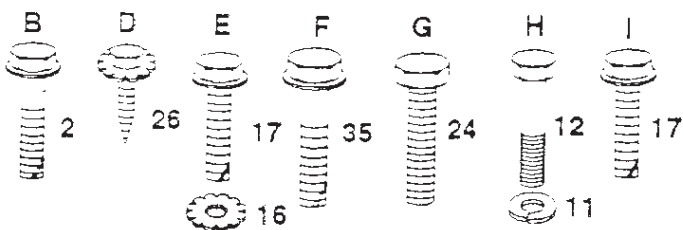
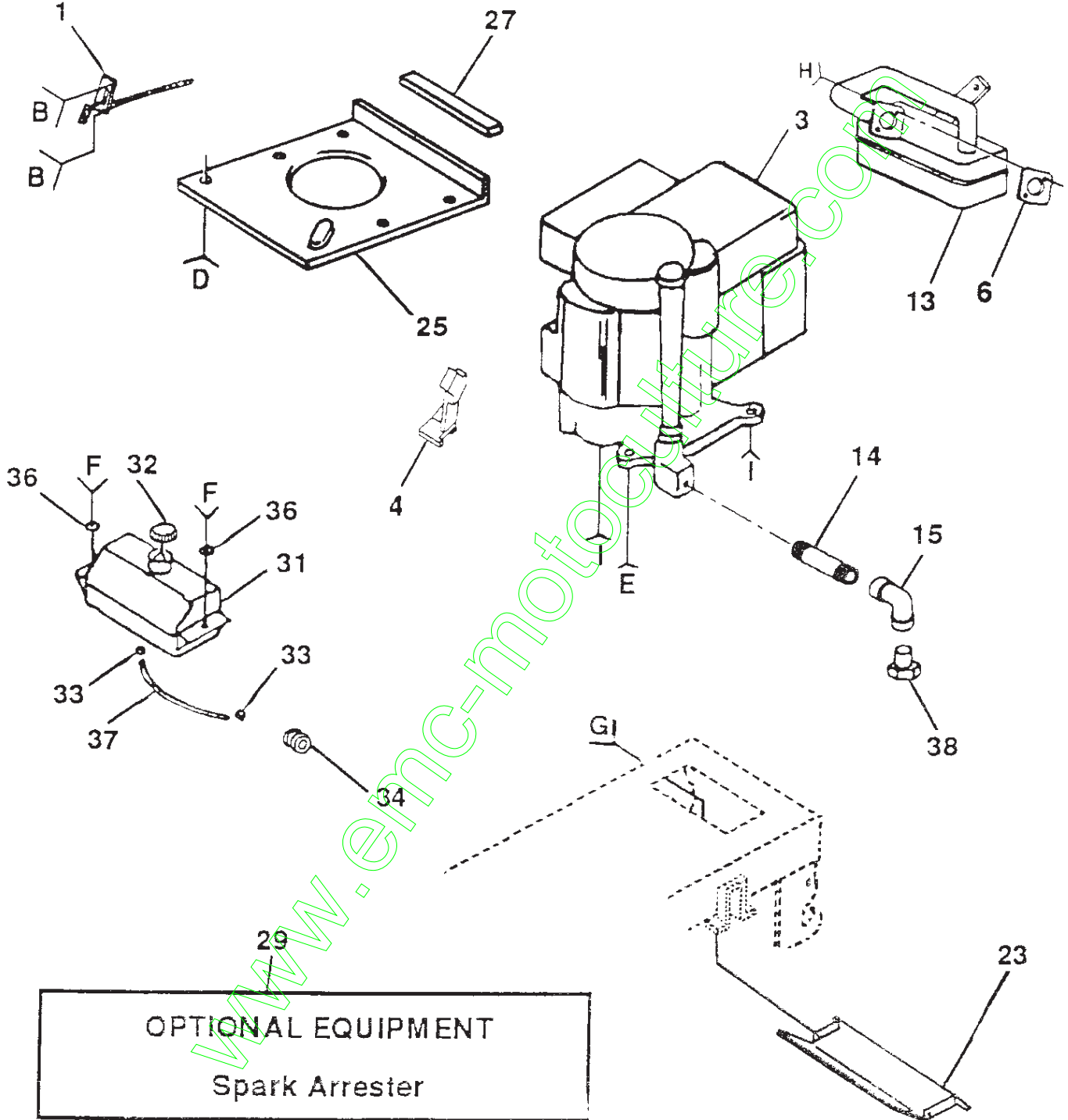
KEY NO.	PART NO.	DESCRIPTION	KEY NO.	PART NO.	DESCRIPTION
1	532127051	Transaxle 6sp 930 Peerless LT	48	532123789	Bellcrank Asm Clutch
2	532110422	Spring Return Brake T/a Zinc	49	532123205	Retainer Belt Style Spring
3	532123666	Pulley Transaxle 18" tires	50	874760624	Bolt Hex Hd 3/8-16unc X 1-1/2
4	812000028	Ring Retainer # 5100-62	51	873680600	Nut Crownlock 3/8-16 Unc
5	532121520	Strap Torque 30 Degrees	52	819131316	Washer 13/32 X 13/16 X 16 Ga
6	817490512	Screw Thdrol 5/16-18 X 3/4 TYT	53	532105710	Link Clutch 7 66
7	532127270	Rod Shifter Blk Zinc 13 17 Lg	54	876020412	Pin Cotter 1/8 X 3/4 Cad
8	876020416	Pin Cotter 1/8 X 1 Cad	55	532105709	Spring Return Clutch 6 75
11	532105701	Washer Plate Shf 388 Sq Hole	56	876020412	Pin Cotter 1/8 X 3/4 Cad
12	819091210	Washer 9/32 X 3/4 X 10 Ga	57	532138255	V-Belt Ground Drive 95 25 42"
13	871040412	Bolt Fin Hex 1/4-28unfx3/4 Gr8	58	532127274	Keeper Belt RH LT Pnt/zinc 16g
14	810040400	Washer Lock Hvy Helical 1/4	59	532136715	Keeper Belt Chassis Span Ctr
15	874760536	Bolt Fin Hex 5/16-18uncx 2 1/4	60	819131312	Washer 13/32 X 13/16 X 12 Ga
16	873680500	Nut Crown Lock 5/16-18	61	817490612	Screw Thdrol 3/8-16x3/4 Ty-tt
17	532127285	Strap Torque LT	62	532124872	Cover Pedal Blk Round
18	874760612	Bolt Fin Hex 3/8-16unc X 3/4	63	532134825	Engine Pulley LT/YT
19	873680600	Nut Crownlock 3/8-16 Unc	64	871170764	Bolt Hex 7/16-20x4 Gr 5
20	817490512	Screw Thdrol 5/16-18 X 3/4 TYT	66	532129921	Keeper Belt Engine LH LT
21	532106933	Knob Rd 1/2-13 Plstc Thds Bik	67	874760616	Bolt Fin Hex 3/8-16unc X 1
22	532130804	Rod Brake Bik Zinc 26 840	68	819131312	Washer 13/32 X 13/16 X 12 Ga
23	873800600	Nut Lock Hex W/wsh 3/8-16unc	69	873680600	Nut Crownlock 3/8-16 Unc
24	873350600	Nut Hex Jam 3/8-16 Unc	70	532134683	Guide Belt Mower Drive RH
25	532106888	Spring Rod Brake 2 00 Zinc	71	874760616	Bolt Fin Hex 3/8-16unc X 1
26	819131316	Washer 13/32 X 13/16 X 16 Ga	72	819132012	Washer 13/32 X 1-1/4 X 12 Ga
27	876020412	Pin Cotter 1/8 X 3/4 Cad	73	873680600	Nut Crownlock 3/8-16 Unc
28	532128904	Rod Brake Parking LT	74	532137057	Spacer Axle
29	532071673	Cap Brake Parking Black	75	532121749	Washer 25/32 X 1 1/4 X 16 Ga
30	532130807	Bracket Mtg Transaxle	76	812000001	E-ring #5133-75
31	532127275	Keeper Belt LH LT 14 Ga	77	532123583	Key Square 2 0 X 1845/ 1865
32	874760512	Bolt Hex Hd 5/16-18unc X 3/4	78	532121748	Washer 25/32 X 1-5/8 X 16 Ga
33	873680500	Crown Locknut 5/16-18	79	532125096	Key Woodruff #9 3/16 X 3/4
34	532122424	Shaft Asm Pedal Foot 1 930	80	532131486	Arm Shift Transaxle
35	532120183	Bearing Nylon Bik 629 Id	81	532136932	Shaft Asm Cross 18"t 42"deck
36	819211616	Washer 21/32 X 1 X 16 Ga	82	532123782	Spring Torsion T/a
37	532124963	Pin Roll 3/16 X 1	83	819171216	Washer 17/32 X 3/4 X 16 Ga
38	532123674	Pulley Idler Flat	84	532123793	Rod Link Shift Adj 3 710
39	874760644	Bolt Fin Hex 3/8-16unc X 2-3/4	86	532071208	Bushing Rod Strg 629/632 Id
40	532124965	Spacer Split 395 X 59 Bzp	87	819212016	Washer 21/32 X 1-1/4 X 16 Ga
41	532109070	Keeper Belt Retainer	88	812000008	Ring Klip #5304-62
42	819131312	Washer 13/32 X 13/16 X 12 Ga	89	532131636	Console Shift 6sp W/ign LT
43	873680600	Nut Crownlock 3/8-16 Unc	90	532124346	Nut Self-thd Wsh-hd 1/4 Zinc
44	532105706	Bearing Nyl 503 X 628 X 1 25	94	810040700	Washer Lock Hvy Hlcl Spr 7/16
45	532110812	Washer Hardened	95	817490612	Screw Thdrol 3/8-16x3/4 Ty-tt
46	812000039	Ring Klip #t5304-50			
47	532127783	Pulley Idler V Groove Plastic			

**NOTE:** All component dimensions given in U.S. inches.  
1 inch = 25.4 mm.

# REPAIR PARTS

14 HP 42" TRACTOR -- MODEL NO. BL1442A, PRODUCT NO. 954 00 23-31

ENGINE





# REPAIR PARTS

14 HP 42" TRACTOR - - MODEL NO. BL1442A, PRODUCT NO. 954 00 23-31

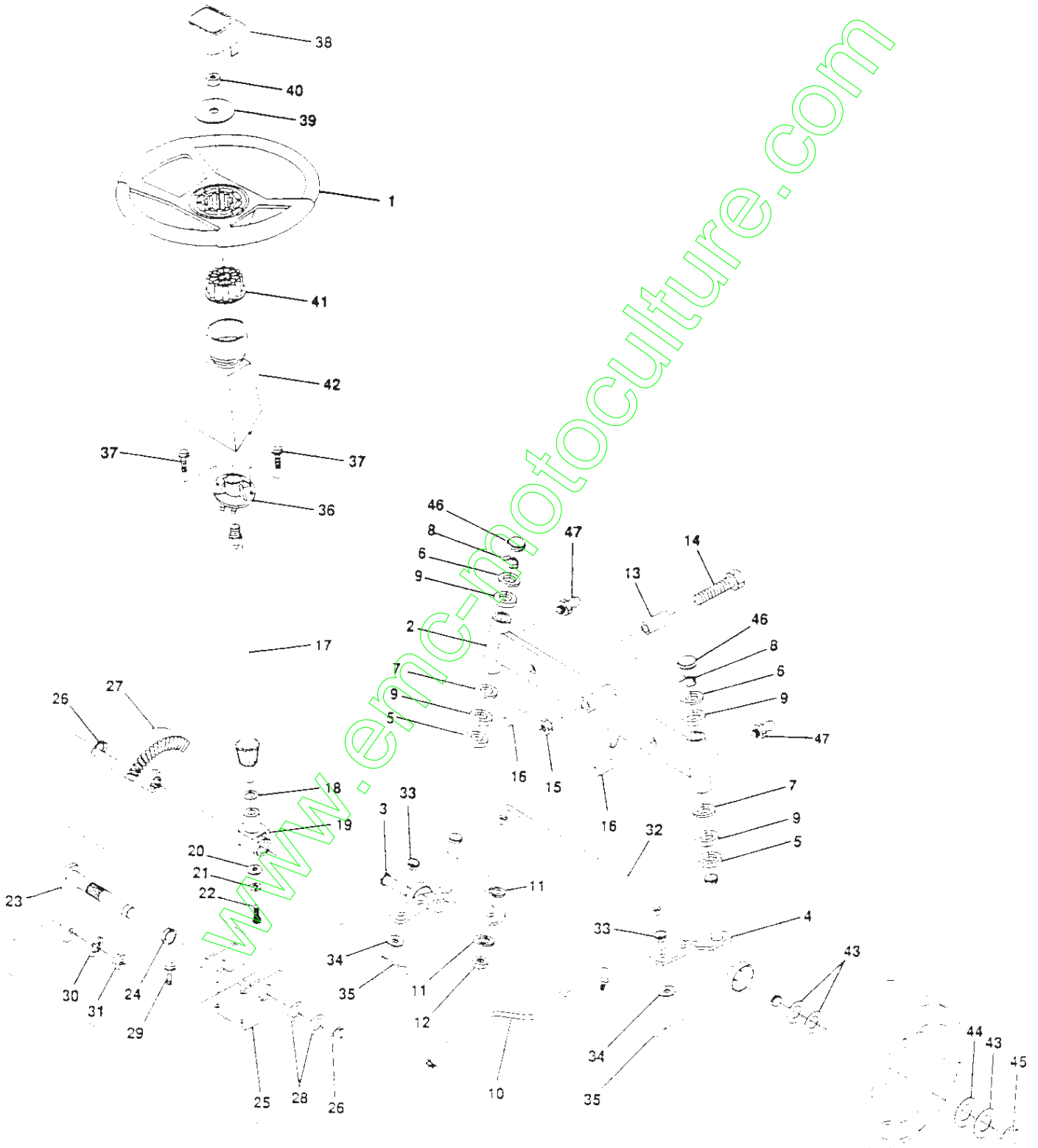
ENGINE

KEY NO.	PART NO.	DESCRIPTION
1	532132623	Control Th/ch RH Bk Tee Eec
2	817720410	Screw Hex Thd Cut 1/4-20x5/8 T
3	-----	Engine B&S 14HP lcc Dual 1/VI
4	532137352	Muffler LT B&S 14HP lcc/hv
6	532127951	Stop, Throttle
11	810040500	Washer Lock Hvy Hlcl Spr 5/16
12	871070512	Screw Hexhd Cap 5/16-18x 3/4
13	532125593	Gasket Eng 1 3/13 Id Tin Plated
14	813280324	Nipple Pipe 3/8 Npt X 3"
15	813200300	Elbow Std 90 Degree 3/8-18 Npt
16	811050600	Washer Lock Ext Tooth 3/8
17	817490620	Screw Thdrol 3/8-16x1-1/4 TYTT
23	532128953	Shield Heat Browning LT/YT
24	817021008	Screw Tap Hex #10-24unc X 1/2
25	532124027	Shield Heat Hood LT
26	817030808	Screw Spiderloc Hexhd#8x1/2 Ab
27	532105037	Strip Foam 18"
28	532124996	Clip Line Fuel 13/32 Mtg Hole
29	532137179	Kit Spark Arrestor 1 25
30	532127057	Pinch Weld Hood Black 2 00
31	532109202	Tank Fuel Front 1 25
32	532123549	Cap Asm Fuel W/sym Vented
33	532123487	Clamp Hose Black
34	532124028	Bushing Snap Nyl Bk Fuel Line
35	817490412	Screw Hexwsh Thdrol 1/4-20x3/4
36	819091415	Washer 9/32 X 7/8 X 16 Ga
37	532008548	Line Fuel 13"
38	-----	Plug Oil Drain (Order From Engine Manufacturer)

NOTE: All component dimensions given in U.S. inches  
1 inch = 25.4 mm

# REPAIR PARTS

14 HP 42" TRACTOR - - MODEL NO. BL1442A, PRODUCT NO. 954 00 23-31  
STEERING ASSEMBLY



# REPAIR PARTS

14 HP 42" TRACTOR - - MODEL NO. BL1442A, PRODUCT NO. 954 00 23-31

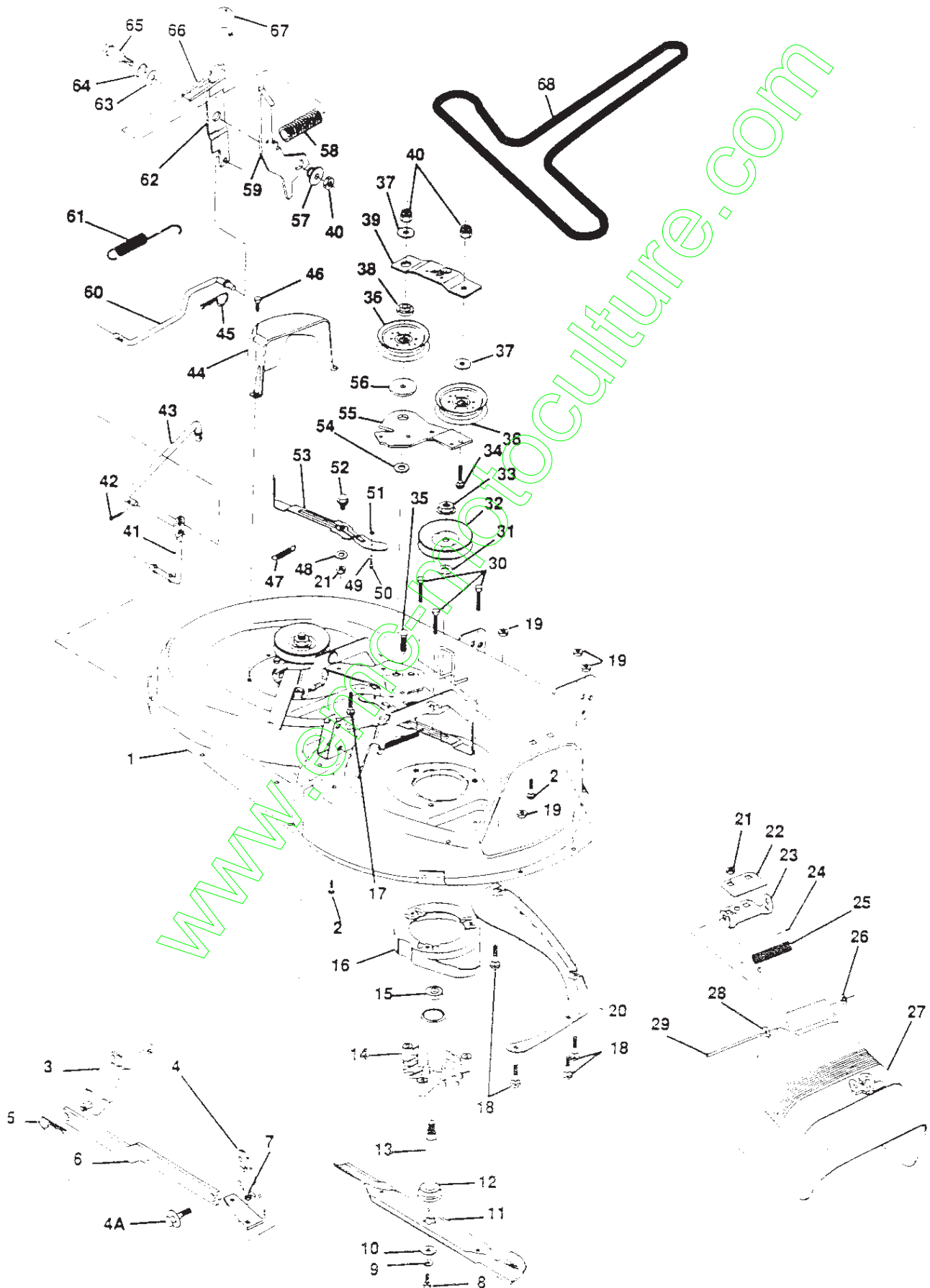
## STEERING ASSEMBLY

KEY NO.	PART NO.	DESCRIPTION
1	532133741	Wheel Steering Ayp/kelch Blk
2	532133988	Axle Asm Fr LT W/gzks 38/42
3	532135227	Spindle Asm LH
4	532135228	Spindle Asm RH
5	532124931	Bearing Race Thrust Harden
6	532121748	Washer 25/32 X 1-5/8 X 16 Ga
7	819272016	Washer 27/32 X 1-1/4 X 16 Ga
8	812000029	Ring Klip #t5304-75
9	532124937	Bearing Col Strg Blk
10	532130468	Link Drag Sol Ball Jt 20 064
11	810040600	Washer Lock Hvy Hicl Spr 3/8
12	873610600	Nut Fin Hex 3/8-24 Unf
13	532110438	Spacer Bearing Axle Front
14	874011056	Bolt Hex 5/8-11 Unc X 3-1/2
15	873901000	Nut Lock Flange 5/8-11 Unc
16	532132624	Pin Axle 5/8 X 1 55/1 54 Lg
17	532132614	Shaft Asm Strg 5/8 X 15 19 LT
18	532057079	Washer Thrust 515x 750x 033
19	532124035	Support Shaft
20	532126684	Washer Shim 1/4 X 5/8 X 062
21	810040400	Washer Lock Hvy Helical 1/4
22	871070410	Screw Hex Socket 1/4-20 X 5/8
23	532127501	Shaft Asm Pittman
24	532109816	Nyliner Snap in
25	532124036	Bracket Steering
26	812000029	Ring Klip #t5304-75
27	532136874	Gear Sector 22 Teeth
28	532124931	Bearing Race Thrust Harden
29	817490612	Screw Thdrol 3/8-16x3/4 Ty-tt
30	810040600	Washer Lock Hvy Hicl Spr 3/8
31	873610600	Nut Fin Hex 3/8-24 Unf
32	532130465	Rod Tie Wire Form 19 75 Mech
33	532126847	Bushing Link Drag Blk LR
34	819131416	Washer 13/32 X 7/8 X 16 Ga
35	876020412	Pin Cotter 1/8 X 3/4 Cad
36	532132196	Bushing Strg 5/8 Id Dash
37	817431008	Screw Slftp #10-16 X 1/2 Ty-b
38	532133742	Cap Wheel Steer Ayp/kelch Blk
39	819133808	Washer 13/32 X 2-3/8 X 8 Ga
40	532124701	Nut Lock Center 3/8-24unf
41	532104820	Adaptor Wheel Strg 640/ 635id
42	532124418	Boot Shaft Steering Blk
43	532121749	Washer 25/32 X 1 1/4 X 16 Ga
44	532121748	Washer 25/32 X 1-5/8 X 16 Ga
45	812000029	Ring Klip #t5304-75
46	532121232	Cap Spindle Fr Top Blk
47	532124836	Fitting Grease

NOTE: All component dimensions given in U.S. inches.  
1 inch = 25.4 mm.

# REPAIR PARTS

14 HP 42" TRACTOR - - MODEL NO. BL1442A, PRODUCT NO. 954 00 23-31  
42" MOWER DECK



# REPAIR PARTS

14 HP 42" TRACTOR - - MODEL NO. BL1442A, PRODUCT NO. 954 00 23-31

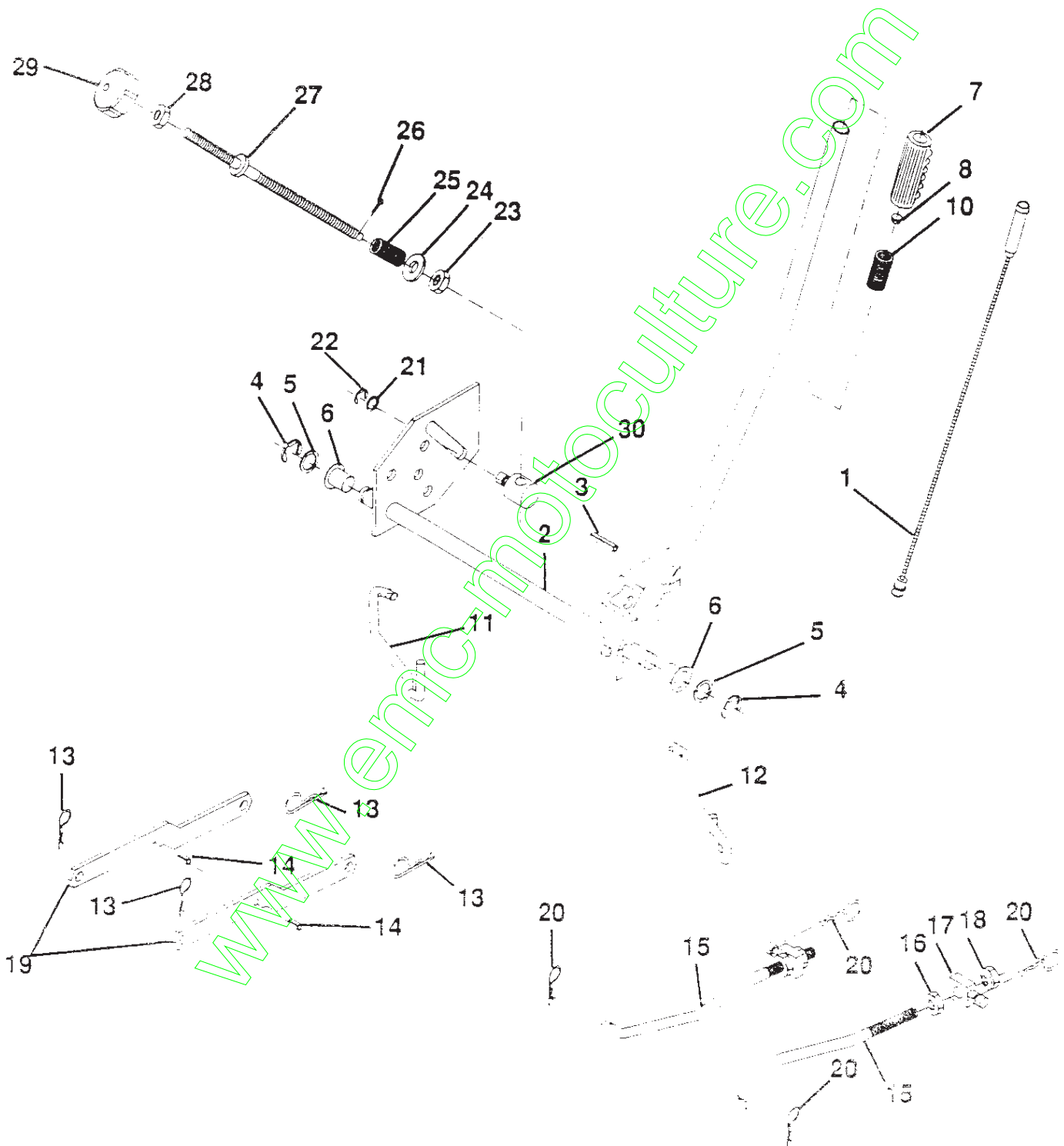
42" MOWER DECK

KEY NO.	PART NO.	DESCRIPTION	KEY NO.	PART NO.	DESCRIPTION
1	532138024	Deck Asm MWR 42"weldment	37	819131612	Washer 13/32 X 1 X 12 Ga
2	872140506	Bolt Rdhd Sqnk 5/16-18unc X3/4	38	532133502	Spacer Arm Idler Upper Hdn 42"
3	532138017	Bracket Asm Fr Sway Bar 38/42	39	532133503	Stiffener Arm Idler Upper 42"
4	532138440	Bracket Asm Deck 42"sway Bar	40	873680600	Nut Crownlock 3/8-16 Unc
4a	532132827	Bolt Shoulder	41	532133551	Rod Pivot W/nibs
5	532124670	Retainer Spring	42	876020312	Pin Cotter 3/32 X 3/4 Cad
6	532130832	Arm Suspension Rear	43	532133504	Rod Clutch Secondary W/nibs
7	873800500	Locknut-hex W/ins 5/16-18unc P	44	532134236	Guard Mandrel LH Black
8	532850857	Bolt 3/8 - 24 X 1.25 Gr 8	45	532124788	Spring Retainer 1" Zinc/cad
9	810030600	Washer Lock Hvy 3/8	46	817720410	Screw Hex Thd Cut 1/4-20x5/8 T
10	532129962	Washer Hard Blade Mower Vented	47	532131335	Spring Extension
11	532138498	Blade Mower High Perf 42"	48	532133944	Washer Hardened Smaller
12	532129895	Bearing Ball #6024 (Mandrel)	49	532133940	Roller Asm Cam Follower 42"dec
13	532137645	Shaft Asm W/lower Bearing	50	532131340	Bolt Shldr 10-24 Zinc Gr 5 42"
14	532128774	Housing Mandrel Vented	51	532069180	Nut Lock #10-24 Unc
15	532110485	Bearing Ball Mandrel	52	532105529	Bolt Shoulder 5/16-18 Unc Blkz
16	532136929	Stripper Mower Vented	53	532131845	Arm Asm Pad Brake
17	872110618	Bolt Rdhd Sqnk 3/8-16 X 2-1/4	54	532133943	Washer Hardened
18	872140505	Bolt Rdhd Sqnk 5/16-18 X 5/8	55	532133844	Arm Idler 42"mower LT/YT
19	873800500	Locknut-hex W/ins 5/16-18unc P	56	532122052	Spacer Retainer Pm Mower
20	532136888	Baffle Vortex 42	57	532127498	Bushing 747 Od X 794 Lg Brass
21	873680500	Nut Crown Lock 5/16-18	58	532128759	Spring Clutch Mower 2 750 Zinc
22	532134753	Stiffener Bracket 42"deck	59	532133573	Arm Asm Clutch Primary
23	532131267	Bracket Deflector Mower 42"	60	532134666	Rod Clutch Primary 38/42
24	532105304	Cap Sleeve 80x 112 Blk Mower	61	532131870	Spring Return
25	532123713	Spring Torsion Deflector 2 52	62	532127847	Arm Clutch Secondary
26	532110452	Nut Push Phos & Oil	63	532121748	Washer 25/32 X 1-5/8 X 16 Ga
27	532130968	Shield Deflector Mower 42" Blk	64	812000029	Ring Klip #t5304-75
28	819111016	Washer 11/32 X 5/8 X 16 Ga	65	532128903	Bolt Shoulder 3/8-16 Unc 1 44
29	532131491	Rod Hinge 42"6 75 Wlg	66	532127845	Keeper Spring 4 000
30	532078158	Bolt 5/16-18 X 1 25 T/t	67	532106932	Knob Rd 3/8-16 Plstc Thds Blk
31	532129963	Washer Spacer Mower Vented	68	532130969	V-Belt Mower 42" 92 40
32	532129861	Pulley Mandrel 42"	--	532138357	Deck Serv 42"mch S Bar Eng/fr
33	532137266	Nut 9/16 Toplock Fling Oil Dip	--	532130794	Mandrel Asm Service (Includes Key Nos. 8-10, 12-15, 31 and 33)
34	872110614	Bolt Rdhd 3/8 - 6uncx1-3/4 Gr5			
35	532133835	Fastner Christmas Tree			
36	532131494	Pulley Idler Fiat 3 060			

NOTE: All component dimensions given in U.S. inches  
1 inch = 25.4 mm

# REPAIR PARTS

14 HP 42" TRACTOR - - MODEL NO. BL1442A, PRODUCT NO. 954 00 23-31  
42" MOWER LIFT



# REPAIR PARTS

14 HP 42" TRACTOR - - MODEL NO. BL1442A, PRODUCT NO. 954 00 23-31  
42" MOWER LIFT

KEY NO.	PART NO.	DESCRIPTION
1	532136973	Wire Asm Inner W/plunger 17 32
2	532122507	Shaft Asm Lift 9 680
3	532105767	Pin Groove 1 500 Zinc
4	812000002	E Ring #5133-62
5	819211621	Washer PLTD 21/32 X 1 X 21ga
6	532120183	Bearing Nylon Bik 629 Id
7	532109413	Grip Handle Bicycle Matte Blk
8	532124526	Button Plunger Black
10	532122512	Spring Cprsn 3 750 Oiled
11	532134619	Link Lift LH Fixed Length
12	532135388	Link Lift RH Fixed Length
13	532124670	Retainer Spring
14	532135563	Pin Roll SLT 5/16 X 1 25 Blk O
15	532127218	Link Front
16	873350800	Nut Jam Hex 1/2-13 Unc
17	532130171	Trunnion Blk Zinc
18	873800800	Nut Lock W/wsh 1/2-13unc
19	532130832	Arm Suspension Rear
20	532124660	Spring, Retainer
21	819151216	Washer 15/32 X 3/4 X 16 Ga
22	812000037	Ring Klip #t5304-37
23	532110807	Nut Special
24	819131016	Washer 13/32 X 5/8 X 16 Ga
25	532124874	Spring 2-1/8"
26	876020308	Pin Cotter 3/32 X 1/2
27	532126971	Rod Adj Lift Zinc 7 49 Wrk Lg
28	873350600	Nut Hex Jam 3/8-16 Unc
29	532138057	Knob Inf 3/8-16 Unc Blk W/sym
30	532110810	Trunnion Dp Stop Dbl Thas PLT

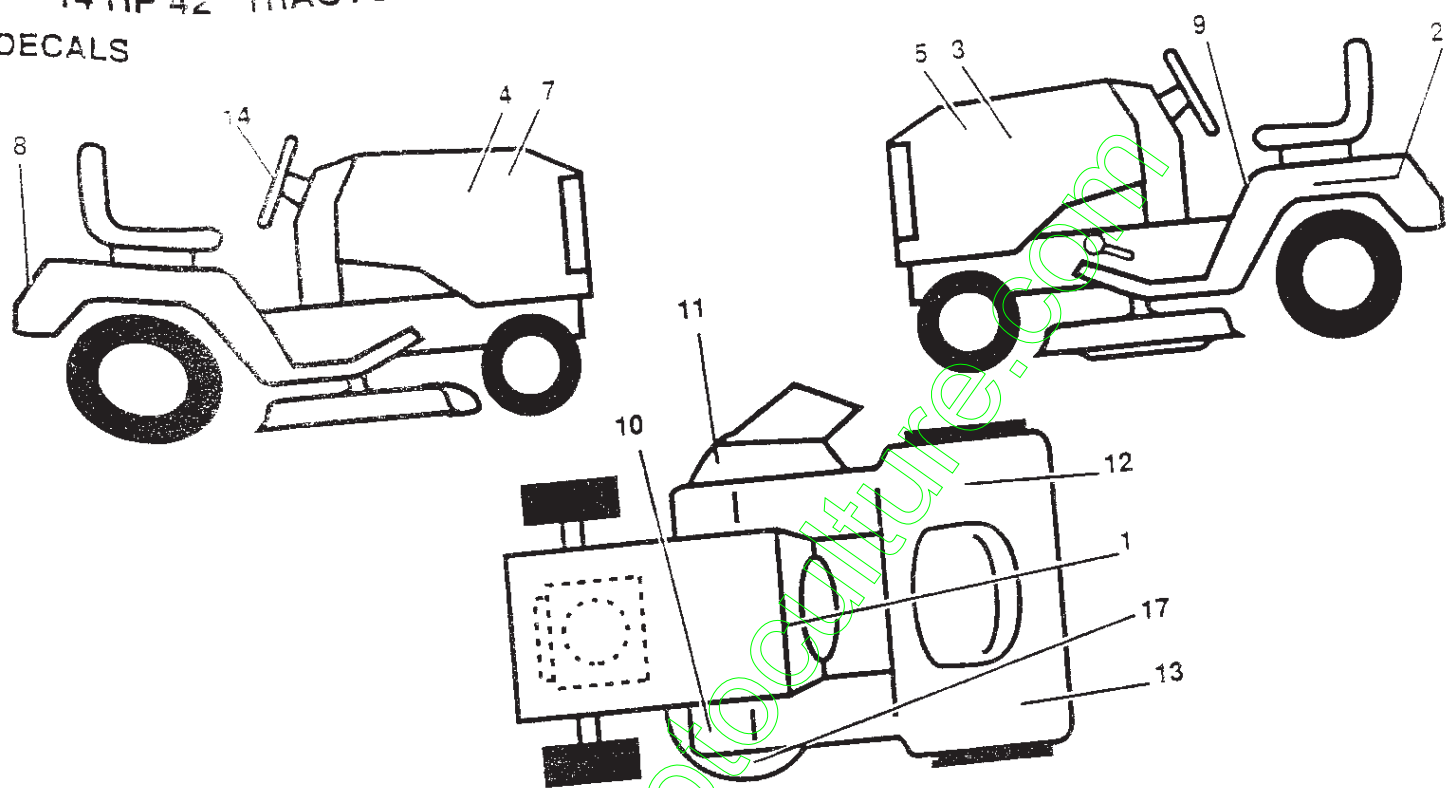
NOTE: All component dimensions given in U.S. inches  
1 inch = 25.4 mm

www.tractorparts.com

# REPAIR PARTS

14 HP 42" TRACTOR -- MODEL NO. BL1442A, PRODUCT NO. 954 00 23-31

## DECALS

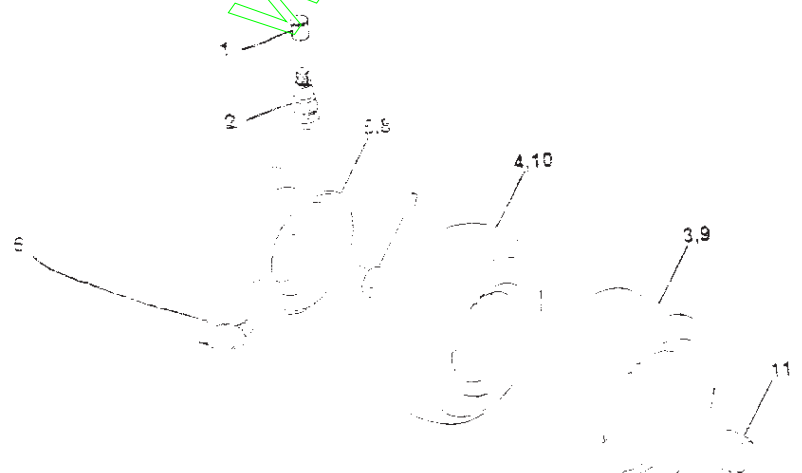


KEY NO.	PART NO.	DESCRIPTION
1	532136735	Decal Instruction Dash Eng/tr
2	532121549	Decal Caution Battery Friger
3	532125934	Decal Hood LH Bernard
4	532125935	Decal Hood RH Bernard
7	532138369	Decal Side Panel LH Bernard LT
7	532138368	Decal Side Panel RH Bernard LT
8	532125819	Decal Fender Bernard
9	532133795	Decal Caution Fender Eng/tr
10	532101832	Decal Clutch/brake Eng/tr
11	532137259	Decal Warning MULT-LANGUAGE
12	532125590	Decal 100 Db

KEY NO.	PART NO.	DESCRIPTION
13	532138384	Decal Conformance 93 BL1442
14	532125835	Decal Strg Wheel Cap Berd/foi
17	532135013	Decal Enviro Deck Yellow
--	532138501	Manual Instr Asm BL1442a
--	532138500	Manual Owners BL1442a Fren
--	532138311	Decal Handle Lft Height Adjus
Available accessories not included with tractor:		
--	CE42	42" Bagger
--	BD20	42" Snow Blade
--	SB20	40" Snow Thrower
--	LC05	33lb. Wheel Wts. (Pair)
--	LA018	Tire Chains (18 x 9.5 x 8)

## WHEELS & TIRES



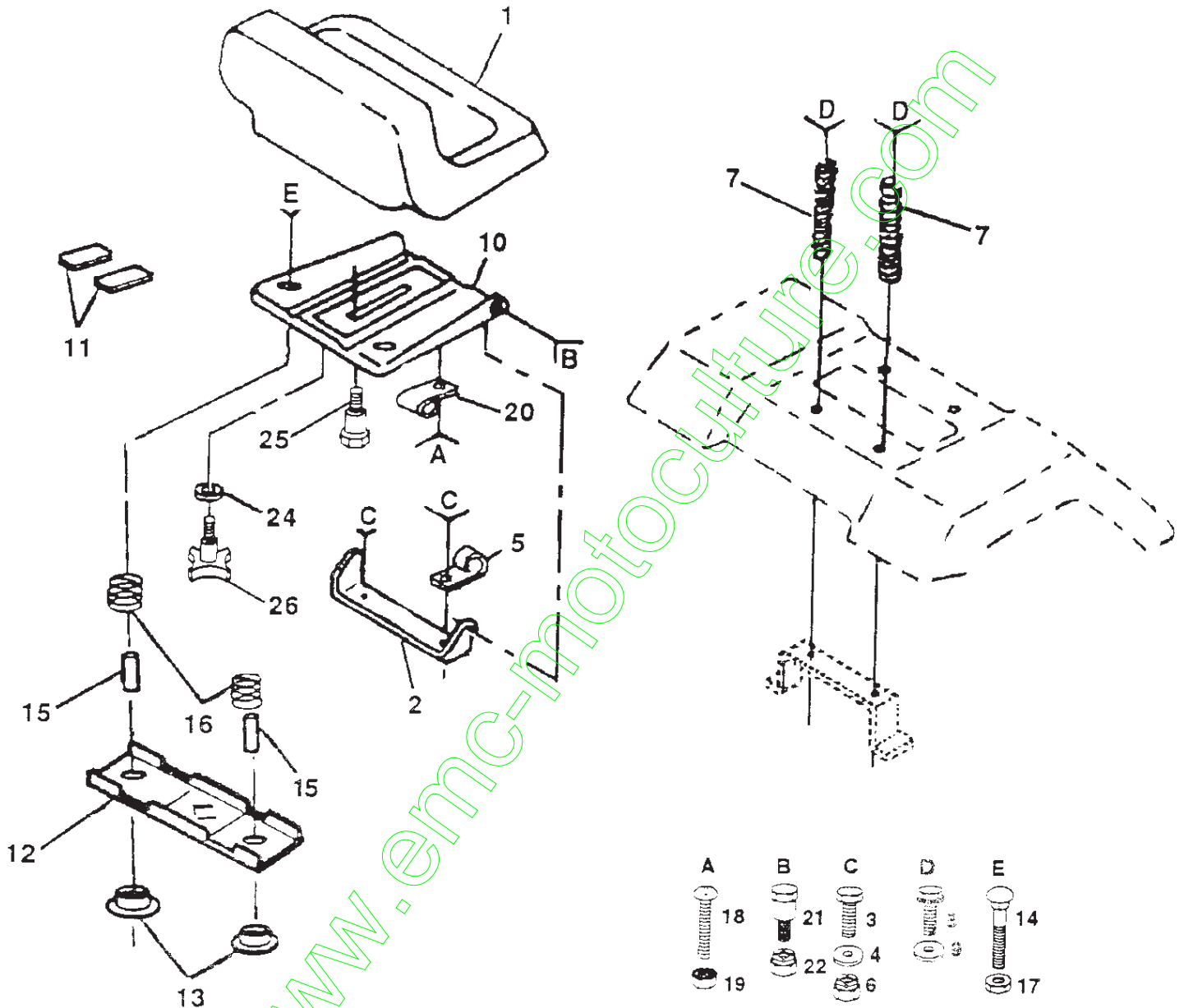
KEY NO.	PART NO.	DESCRIPTION
1	532059192	Cap Valve Tire
2	532065139	Stem Valve
3	532106222	Tire F Ts 15 X 6.0 - 6 Serv
4	532059904	Tube Front (Service Item)
5	532125021	Rim Asm 5" front Yellow S
6	532124957	Fitting Grease (Front Whe
7	532124959	Bearing Flange (Front Wh
8	532124789	Rim Asm 8" rear Yellow S
9	532106268	Tire R Ts 18x9 5-5 C Ser
10	532124926	Tube Rear (Service Item)
11	532104757	Cap Axle Bk 1 50 X 1 00

NOTE: All component dimensions given in U  
1 inch = 25.4 mm



# REPAIR PARTS

14 HP 42" TRACTOR -- MODEL NO. BL1442A, PRODUCT NO. 954 00 23-31  
SEAT ASSEMBLY



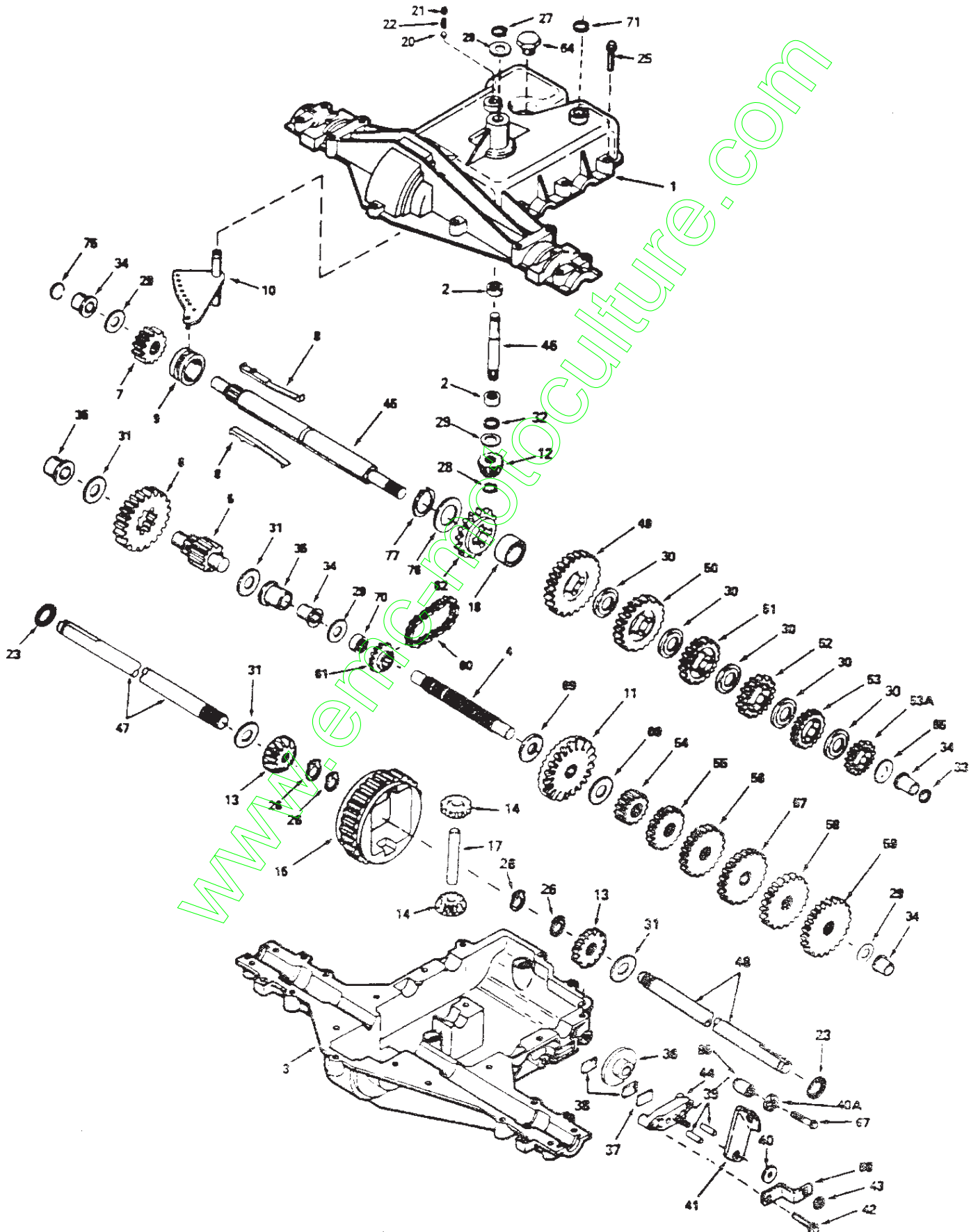
KEY NO.	PART NO.	DESCRIPTION
1	532127427	Seat V350 Blk/bik Std
2	532126656	Bracket Pivot Seat 8 720
3	874760612	Bolt Fin Hex 3/8-16unc X 3/4
4	819131610	Washer 13/32 X 1 X 10 Ga
5	532124996	Clip Fuel Line
6	873680500	Nut Crownlock 3/8-16 Unc
7	532124181	Spring Seat Cprsn 2 250 Blk Zi
8	817490616	Screw Thrdol 3/8-16 X 1 Ty-tt
9	819131614	Washer 13/32 X 1 X 14 Ga
10	532131451	Pan Seat
11	532121251	Strip Foam Gray Or Black
12	532121246	Bracket Mounting Switch
13	532121248	Bushing Snap Blk Nyl 50 Ia

KEY NO.	PART NO.	DESCRIPTION
14	872050411	Bolt Rdhd Sht Nk 1/4-20x1-3/8
15	532134300	Spacer Split 28x 96 Yel Zinc
16	532121250	Spring Cprsn 1 27 Blk Pnt
17	532123976	Nut Lock 1-4 Lge Fig Gr 5 Zinc
18	874641008	Screw SLTD Pan Hd #10-32 X 1 2
19	673951000	Nut Keps #10-32 Unf
20	532124967	Clip Insulated 11/32 Mtg Hole
21	532105529	Bolt Shoulder 5/16-18 Unc Blkz
22	873680500	Nut Crown Lock 5/16-18
24	819171912	Washer 17/32 X 1-3/16 X 12 Ga
25	532127018	Bolt Shoulder 5/16-18 X 82
26	532120068	Knob Seat 1/2-13unc Blk

NOTE: All component dimensions given in U.S. inches.  
1 inch = 25.4 mm.

# REPAIR PARTS

14 HP 42" TRACTOR - - MODEL NO. BL1442A, PRODUCT NO. 954 00 23-31  
PEERLESS TRANSAXLE - MODEL NUMBER 930-010



# REPAIR PARTS

14 HP 42" TRACTOR - - MODEL NO. BL1442A, PRODUCT NO. 954 00 23-31  
 PEERLESS TRANSAXLE - MODEL NUMBER 930-010

REF PART NO. NO.	DESCRIPTION	REF PART NO. NO.	DESCRIPTION	
1	772108	40A	792128	Washer, Flat
2	780086	41	790047	Lever, Brake
3	770102	42	792073	Screw, Flanged Hex Head, Thread Forming 1/4-20 x 1-1/4
4	776260			Locknut 5/16-24
5	776219	43	792075	Holder, Brake Pad
6	778139	44	790025	Shaft, Brake, 4-Keyed
7	778136	45	776315A	Shaft, Input
8	792136	46	776135	Axle, 11-15/16"
9	784352	47	774690	Axle, 16-1/2"
	784355	48	774691	Gear, Spur 37 Teeth
11	778229	49	778191	Gear, Spur 35 Teeth
12	778113A	50	778125	Gear, Spur 30 Teeth
13	778221	51	778124A	Gear, Spur 25 Teeth
14	778068	52	778123A	Gear, Spur 22 Teeth
15	778260	53	778122A	Gear, Spur 19 Teeth
17	786139	53A	778209	Gear, Spur 12 Teeth
18	786102	54	778230	Gear, Spur 15 Teeth
20	792077	55	773151	Gear, Spur 20 Teeth
21	792078	56	778126A	Gear, Spur 25 Teeth
22	792079	57	778127A	Gear, Spur 28 Teeth
23	788061	58	778128A	Gear, Spur 31 Teeth
25	792073	59	778163	Chain, Roller (Number 41 Chain, 24 Links)
26	792125	60	786081	Sprocket 9 Teeth
		61	786082	Sprocket 18 Teeth
27	792035	62	786123	Plug, Hex Head, Threaded 9/16-18
28	788040	64	792074	Washer, Thrust
29	780072	65	780109	Spacer
30	780108	66	786067	Screw, Flanged Hex Head, Thread Forming 1/4-20 x 2-1/4
31	780001	67	792085	Bracket, Brake Lever
32	792001	68	736086	Washer, Thrust
	788051	69	780051	Spacer
34	780105A	70	786118	Seal, Square Cut
35	780118A	71	788069	Disk
36	790003	75	786116	Washer, Thrust
37	790007	76	780090	Ring, Retaining
38	790006	77	788075	
39	786026			
40	792076			

NOTE: All component dimensions given in U.S. inches  
 1 inch = 25.4 mm

Parts must be ordered thru Peerless.