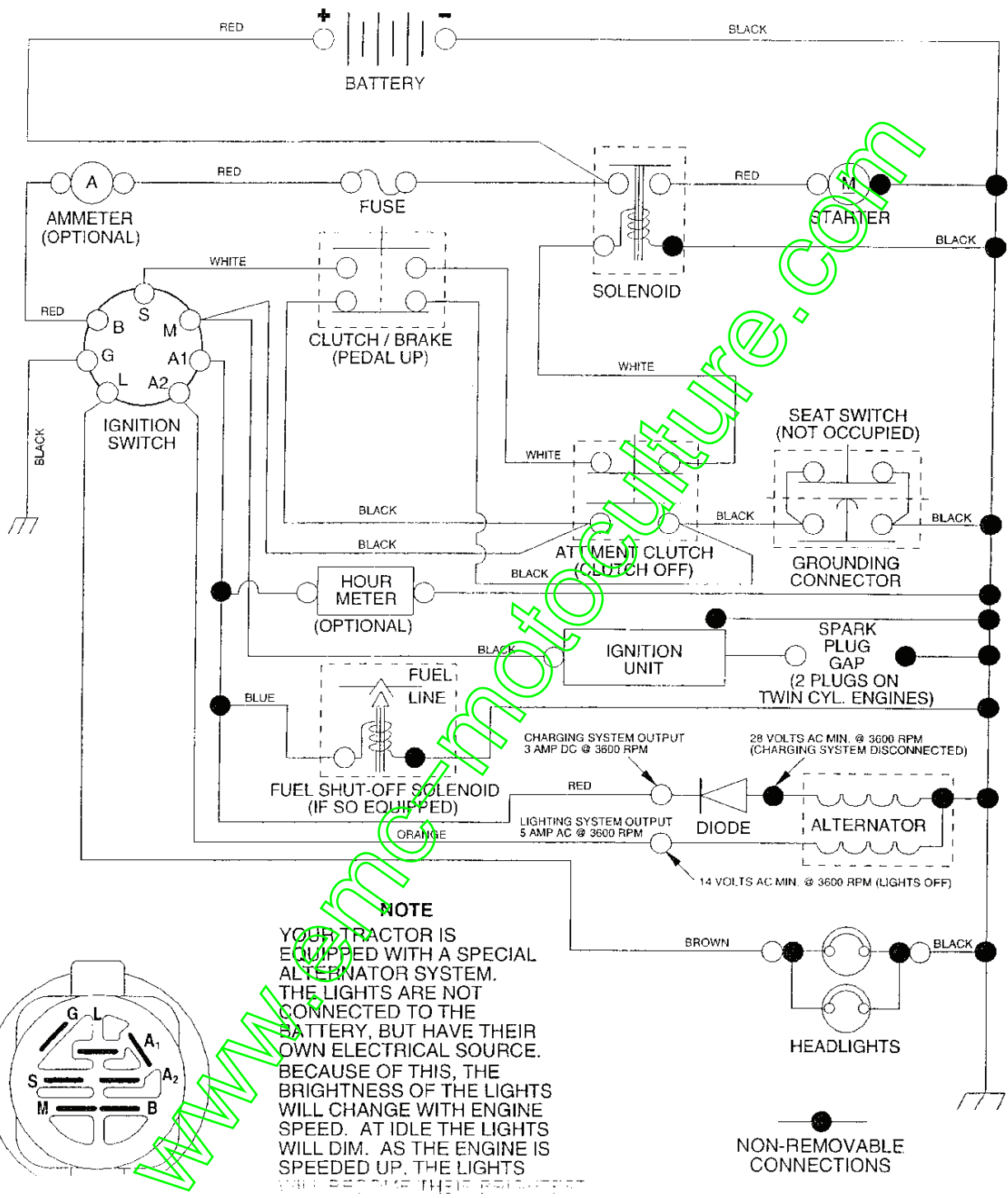


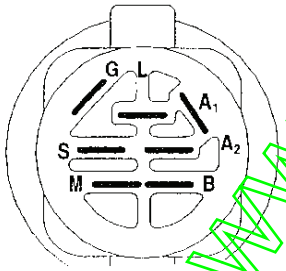
ILLUSTRATED PARTS BREAKDOWN**BERNARD****14.5 HP LAWN TRACTOR****MODEL NO. BL14542ST (BL14542STA)****954 21 00-24****(BL14542STB)****(BL14542STC)****(BL14542STD)**

www.emc-motoculture.com

TRACTOR - - MODEL NO. BL14542ST (BL14542STB), PRODUCT NO. 954 21 00-24 SCHEMATIC



NOTE
YOUR TRACTOR IS EQUIPPED WITH A SPECIAL ALTERNATOR SYSTEM. THE LIGHTS ARE NOT CONNECTED TO THE BATTERY, BUT HAVE THEIR OWN ELECTRICAL SOURCE. BECAUSE OF THIS, THE BRIGHTNESS OF THE LIGHTS WILL CHANGE WITH ENGINE SPEED. AT IDLE THE LIGHTS WILL DIM. AS THE ENGINE IS SPEEDED UP, THE LIGHTS WILL BECOME THEIR BRIGHTEST.



POSITION	CIRCUIT	"MAKE"
OFF	M+G+A1	NONE
RUN/LIGHT	B+A1	A2+L
RUN	B+A1	NONE
START	B + S + A1	NONE

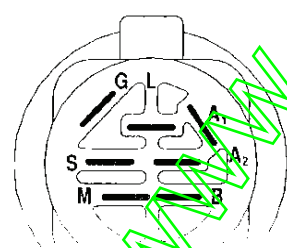
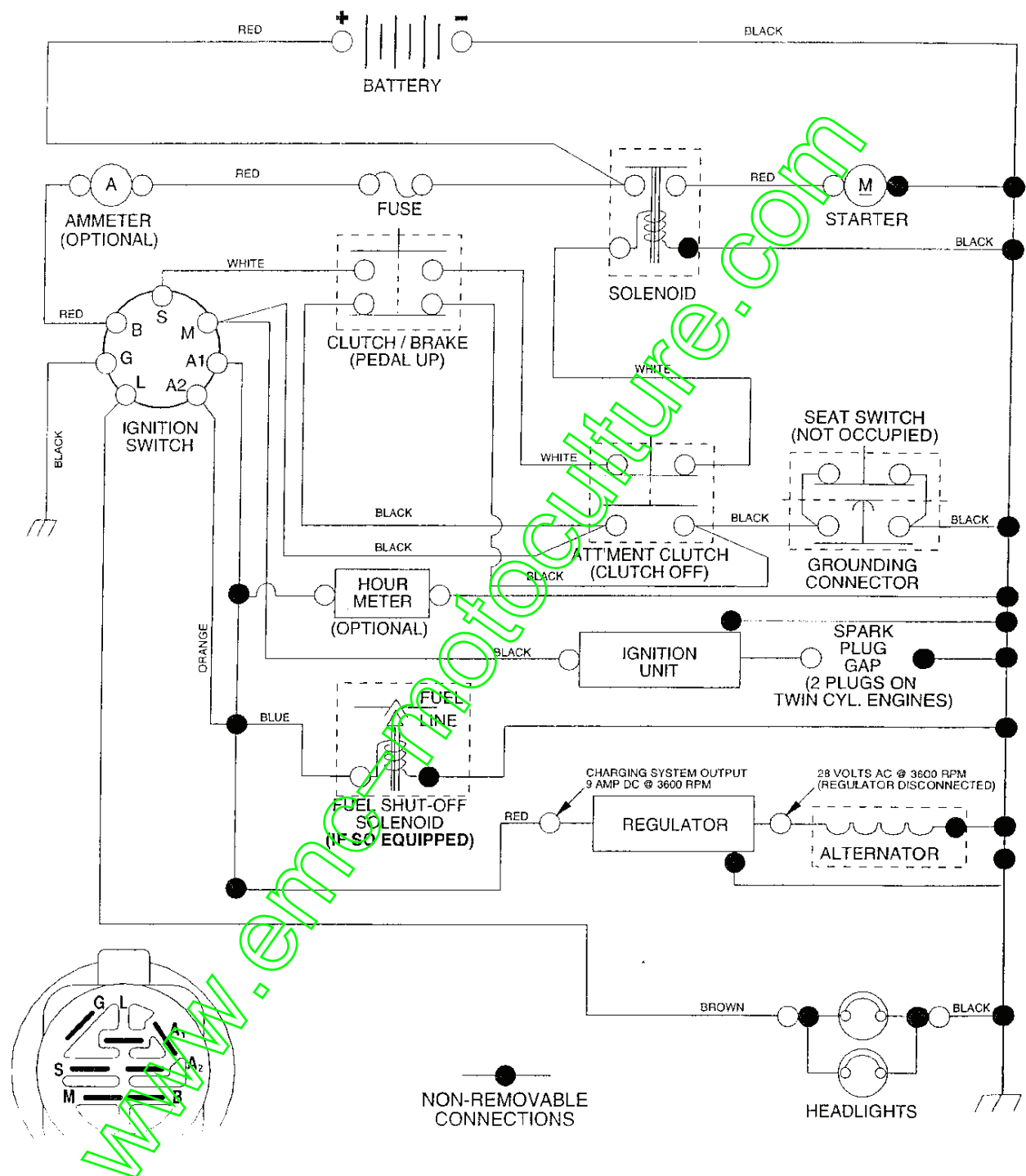
WIRING INSULATED CLIPS

NOTE: IF WIRING INSULATED CLIPS WERE REMOVED FOR SERVICING OF UNIT, THEY SHOULD BE REPLACED TO PROPERLY SECURE YOUR WIRING.

NON-REMOVABLE CONNECTIONS

REMOVABLE CONNECTIONS

TRACTOR - - MODEL NO. BL14542ST (BL14542STD), PRODUCT NO. 954 21 00-2 SCHEMATIC

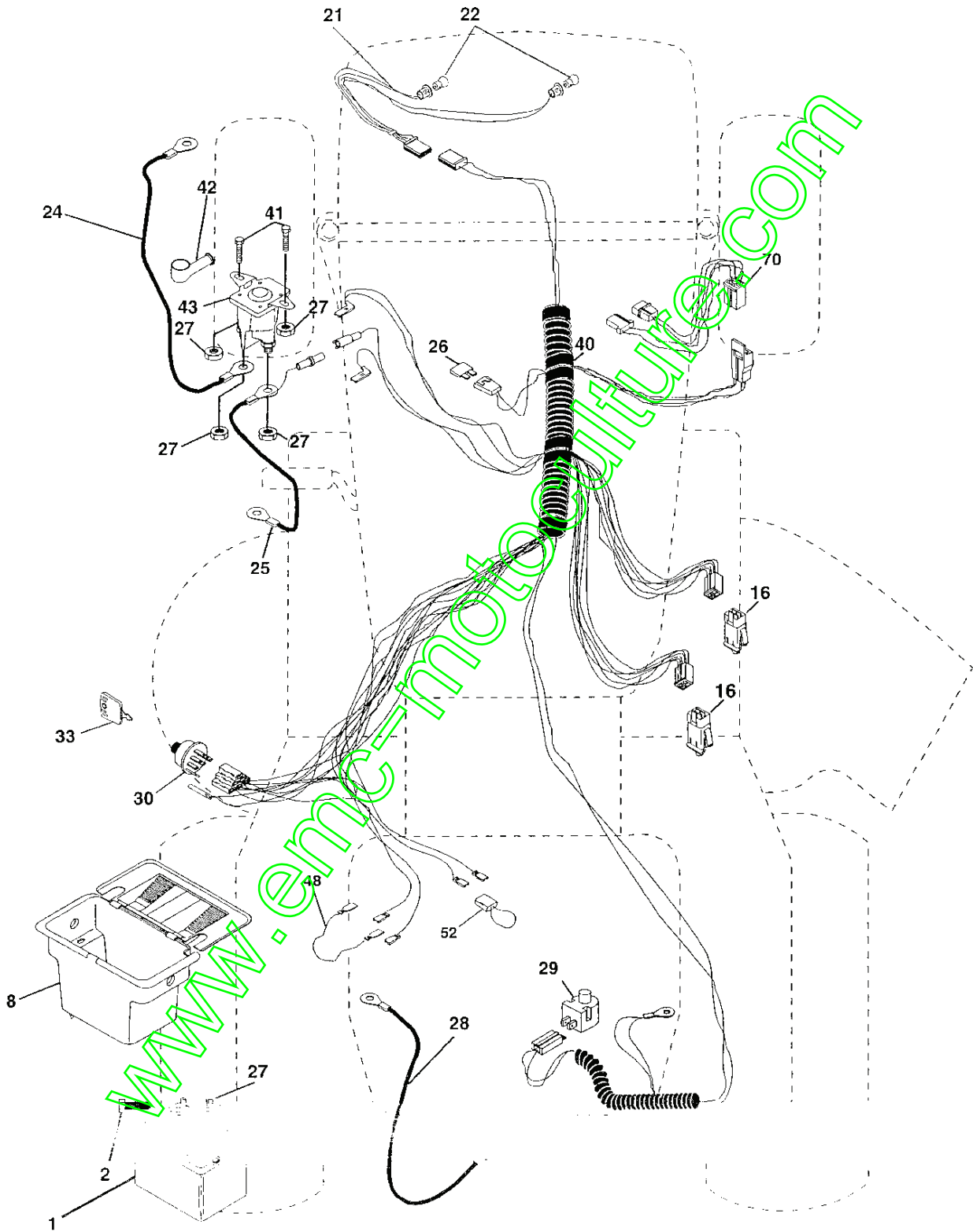


POSITION	CIRCUIT	"MAKE"
OFF	M+G+A1	NONE
RUN/LIGHT	B+A1	A2+L
RUN	B+A1	NONE
START	B + S + A1	NONE

WIRING INSULATED CLIPS
NOTE: IF WIRING INSULATED CLIPS WERE REMOVED FOR SERVICING OF UNIT, THEY SHOULD BE REPLACED TO PROPERLY SECURE YOUR WIRING.

REPAIR PARTS

TRACTOR - - MODEL NO. BL14542ST (BL14542STA), PRODUCT NO. 954 21 00-24
ELECTRICAL



REPAIR PARTS

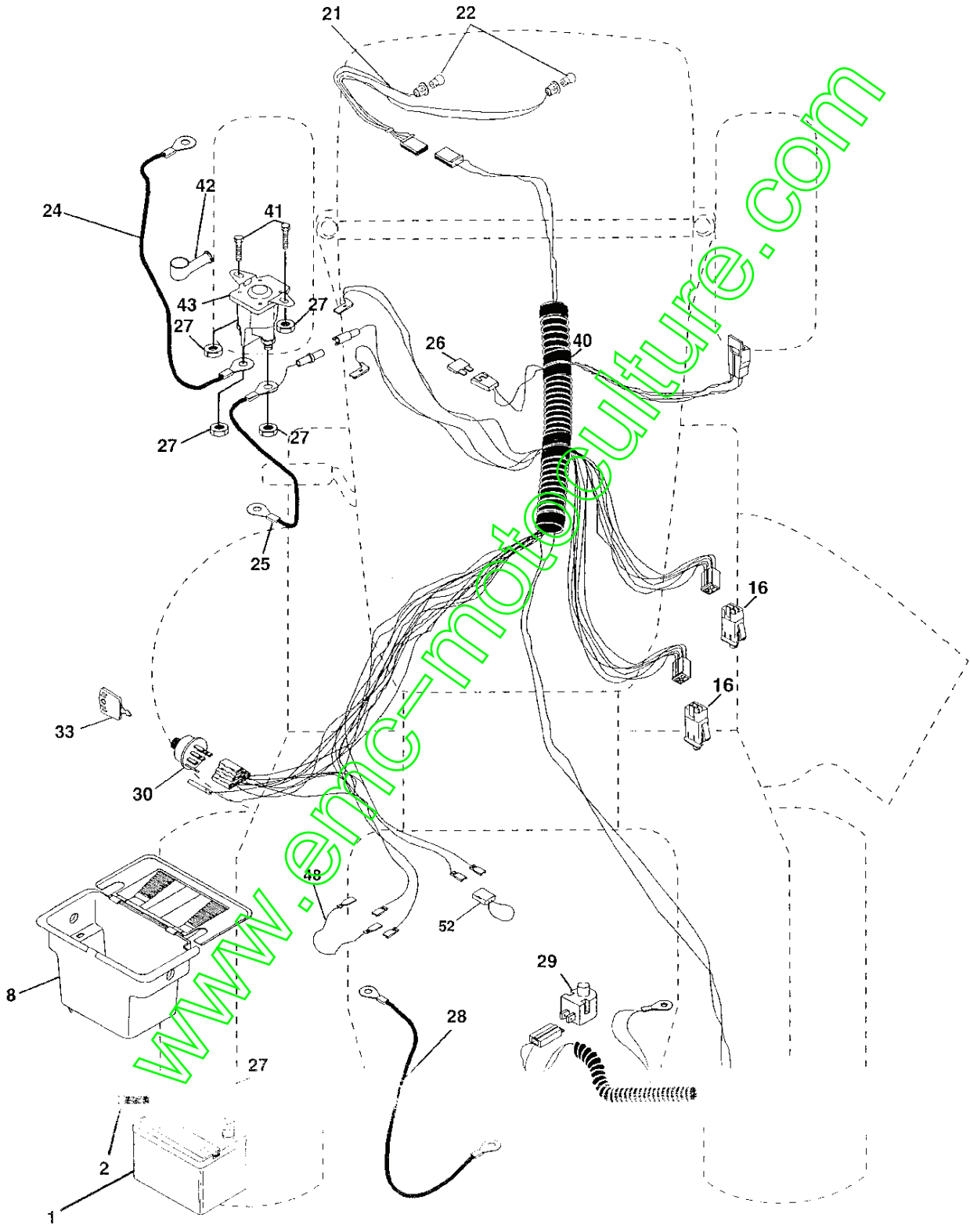
TRACTOR - - MODEL NO. BL14542ST (BL14542STA), PRODUCT NO. 954 21 00-24
ELECTRICAL

KEY NO.	PART NO.	DESCRIPTION
1	144925	Battery 12 VOLT 25 AMP
2	74760412	Bolt Hex Hd 1/4-20unc x 3/4
8	156417	Case Battery
16	153664	Switch, Interlock Push-In
21	166181	Harness Asm Light W/4152J
22	4152J	Bulb Light #1156
24	4799J	Cable Battery 6 Ga 11" red
25	146147	Cable Battery 6 Ga w/16 wire red
26	166180	Fuse 15 AMP
27	73510400	Nut, Keps Hex 1/4-20 UNC
28	4207J	Cable Ground 6 Ga 12" black
29	121305X	Switch Plunger Nc Gray
30	163968	Switch Ign
33	140401	Key Ign
40	170217	Harness Ign
41	71110408	Bolt Blk Fin Hex 1/4-20 Unc x 1/2
42	131563	Cover Terminal Red
43	145673	Solenoid
48	140844	Adapter Ammeter Rectangular
52	141940	Protection Wire Loop
70	170243	Harness Engine

NOTE: All component dimensions given in U.S. inches
1 inch = 25.4 mm

REPAIR PARTS

TRACTOR - - MODEL NO. BL14542ST (BL14542STB), PRODUCT NO. 954 21 00-24
ELECTRICAL



REPAIR PARTS

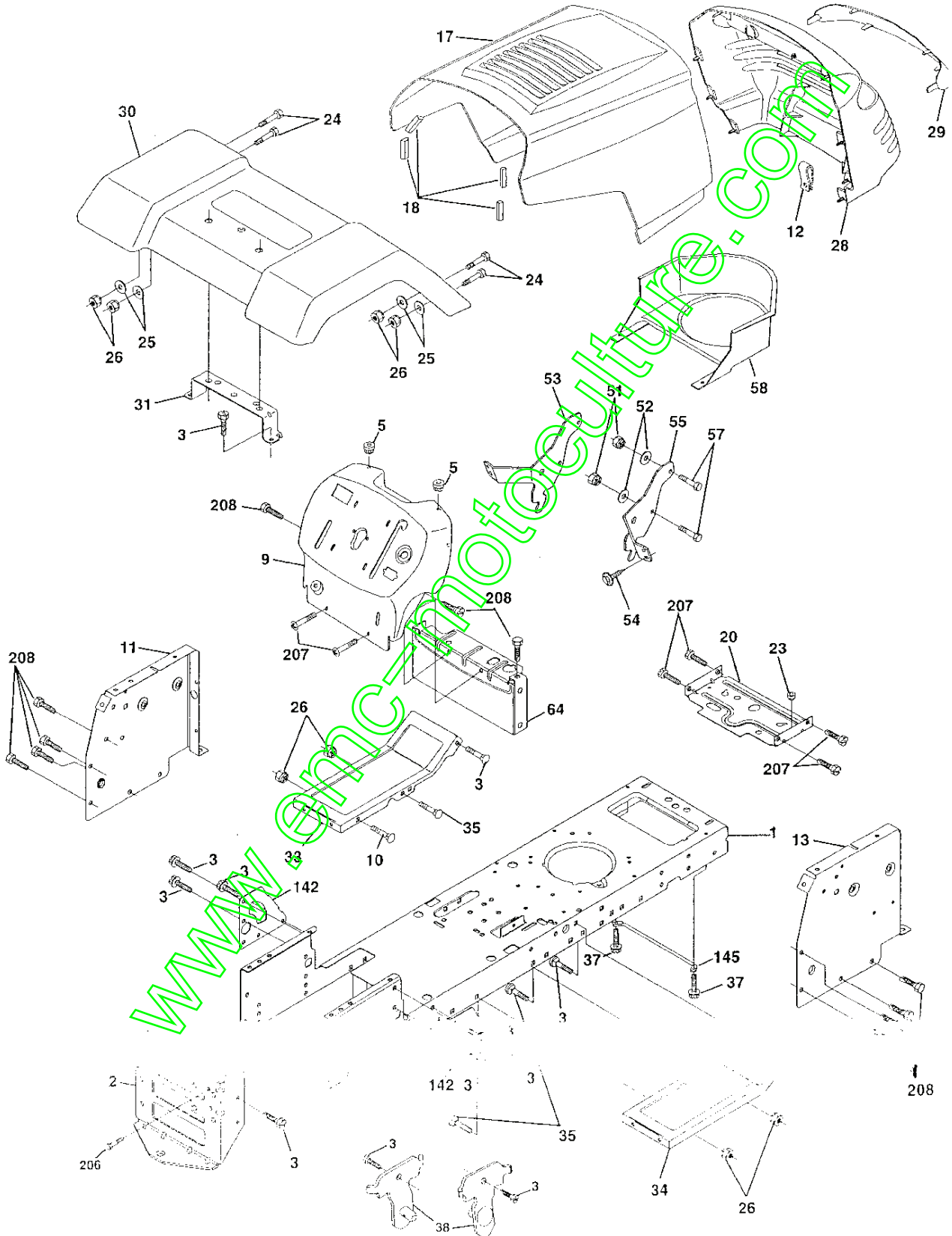
TRACTOR - - MODEL NO. BL14542ST (BL14542STB), PRODUCT NO. 954 21 00-24
ELECTRICAL

KEY NO.	PART NO.	DESCRIPTION
1	144925	Battery 12 VOLT 25 AMP
2	74760412	Bolt Hex Hd 1/4-20unc x 3/4
8	156417	Case Battery
16	153664	Switch, Interlock Push-In
21	166181	Harness Asm Light W/4152
22	4152J	Bulb Light #1156
24	4799J	Cable Battery 6 Ga 11" red
25	146147	Cable Battery 6 Ga w/16 wire red
26	166180	Fuse 15 AMP
27	73510400	Nut, Keps Hex 1/4-20 UNC
28	4207J	Cable Ground 6 Ga 12" black
29	121305X	Switch Plunger Nc Gray
30	163968	Switch Ign
33	140401	Key Ign
40	170217	Harness Ign
41	71110408	Bolt Blk. Fin Hex 1/4-20 Unc x 1/2
42	131563	Cover Terminal Red
43	145673	Solenoid
48	140844	Adapter Ammeter Rectangular
52	141940	Protection Wire Loop

NOTE: All component dimensions given in U.S. inches
1 inch = 25.4 mm

REPAIR PARTS

TRACTOR - - MODEL NO. BL14542ST (BL14542STA), PRODUCT NO. 954 21 00-24
CHASSIS AND ENCLOSURES



REPAIR PARTS

TRACTOR - - MODEL NO. BL14542ST (BL14542STA), PRODUCT NO. 954 21 00-24
CHASSIS AND ENCLOSURES

KEY NO.	PART NO.	DESCRIPTION
1	169830	Chassis
2	169061	Drawbar
3	17060612	Screw 3/8-16 x 3/4
5	155272	Bumper Hood/Dash
9	168336X010	Dash.
10	72140608	Bolt, Carriage 3/8-16 x 1
11	155927	Panel, Dash, L.H.
12	145660	Clip Tinnerman Grille P/L
13	169117X010	Panel, Asm. SLKSCR Dash R.H.
17	159639X421	Hood
18	126938X	Bumper Hood
20	156437	Plat Mtg Battery/Fuel Tank Fr.
23	124028X	Bushing Snap
24	747801616	Bolt Fin Hex 3/8-16 UNC X 1 Gr. 5
25	19131312	Washer 13/32 x 13/16 x 12 Gauge
26	73800600	Nut, Lock Hex W/Ins. 3/8-16 UNC
28	157428	Grille
29	146554X599	Lens, Grille
30	169468X421	Fender
31	136619	Bracket Fender
33	145244X418	Footrest LH
34	145243X418	Footrest RH
35	72110606	Bolt Rdhd Sht Sqnk 3/8-16 x 3/4
37	17490508	Screw Thdrol 5/16-18 x 1/2 TYT
38	169834	Pivot Bracket Assembly
51	73800400	Nut Lock w/Insert 1/4-20 UNC
52	19091416	Washer 9/32 x 7/8 x 16 Ga.
53	144697	Bracket Grille LH
54	161464	Screw Hex WSHD 8-18 x 7/8
55	144696	Bracket Grille RH
57	74780412	Bolt, Fin Hex 1/4-20 UNC x .75
58	150127	Duct Air
64	154798	Dash Lower STLT
142	165867	Plate Reinforcement STLT
145	156524	Rod Pivot Chassis/Hood
206	170165	Bolt Shoulder
207	17670508	Screw Thdrol 5/16-18 x 1/2 TYTT
208	17670608	Screw Thdrol 3/8-16 x 1/2 TYT
--	5479J	Plug, Button

NOTE: All component dimensions given in U.S. inches
1 inch = 25.4 mm

REPAIR PARTS

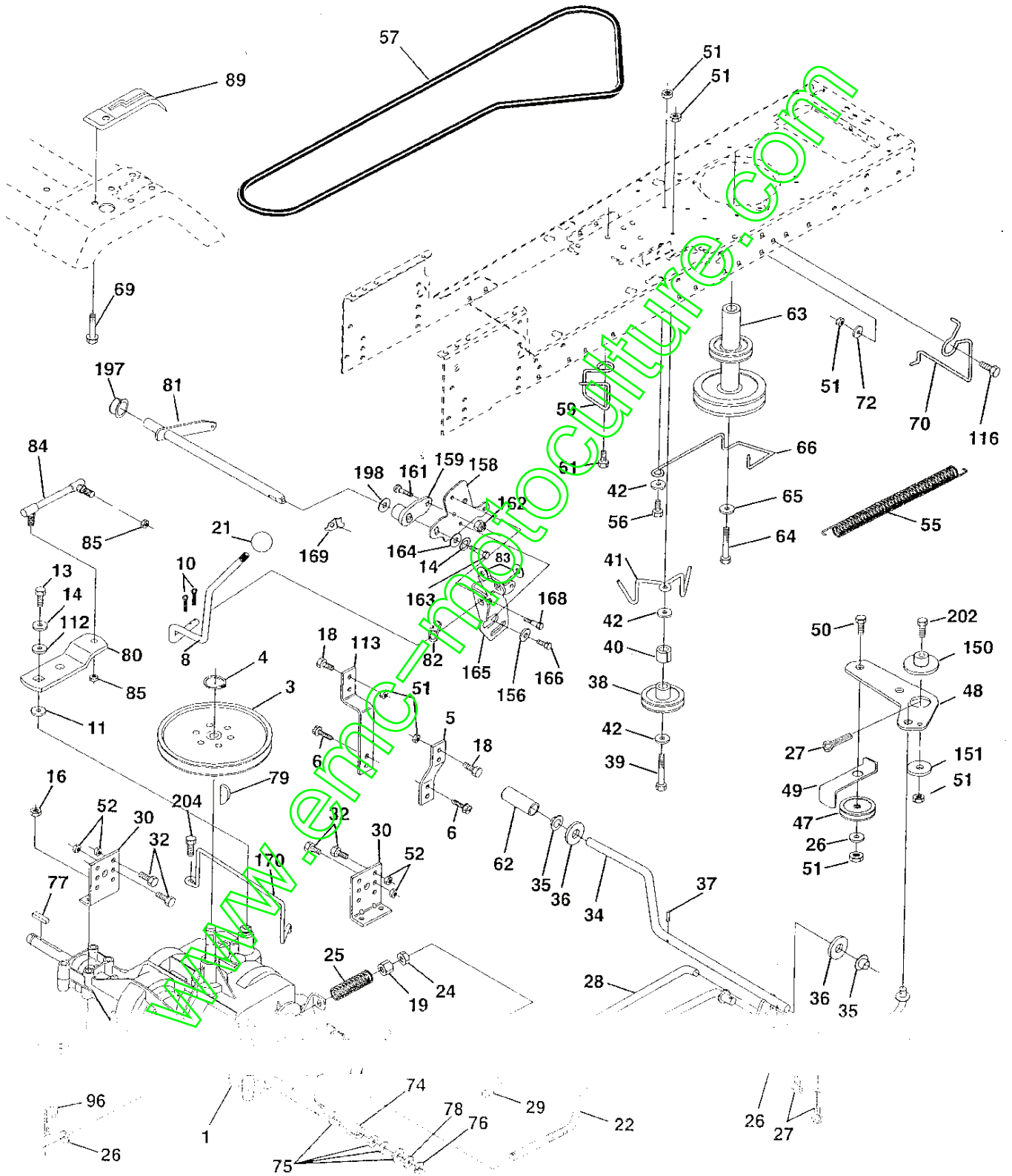
TRACTOR - - MODEL NO. BL14542ST (BL14542STC), PRODUCT NO. 954 21 00-24
CHASSIS AND ENCLOSURES

KEY NO.	PART NO.	DESCRIPTION
1	169830	Chassis
2	169061	Drawbar
3	17060612	Screw 3/8-16 x 3/4
5	155272	Bumper Hood/Dash
9	168336X010	Dash.
10	72140608	Bolt, Carriage 3/8-16 x 1
11	155927	Panel, Dash, L.H.
12	145660	Clip Tinnerman Grille P/L
13	172107X010	Panel Asm. Dash
17	159639X421	Hood
18	126938X	Bumper Hood
20	156437	Plat Mtg Battery/Fuel Tank Fr.
23	124028X	Bushing Snap
24	74780616	Bolt Fin Hex 3/8-16 UNC X 1 Gr. 5
25	19131312	Washer 13/32 x 13/16 x 12 Gauge
26	73800600	Nut, Lock Hex W/Ins. 3/8-16 UNC
28	146767	Grille/Lens Asm
29	146654X599	Lens, Grille
30	169468X421	Fender
31	136619	Bracket Fender
33	145244X418	Footrest LH
34	145243X418	Footrest RH
35	72110606	Bolt Rdnd Sht Sqnk 3/8-16 x 3/4
37	17490508	Screw Thdrol 5/16-18 x 1/2 TYT
38	169834	Pivot Bracket Assembly
51	73800400	Nut Lock w/Insert 1/4-20 UNC
52	19091416	Washer 9/32 x 7/8 x 16 Ga.
53	144697	Bracket Grille LH
54	161464	Screw Hex WSHD 8-18 x 7/8
55	144696	Bracket Grille RH
57	74780412	Bolt, Fin Hex 1/4-20 UNC x .75
58	140547	Duct Air
64	154798	Dash Lower STLT
142	165867	Plate Reinforcement STLT
145	156524	Rod Pivot Chassis/Hood
206	170165	Bolt Shoulder
207	17670508	Screw Thdrol 5/16-18 x 1/2 TYTT
208	17670608	Screw Thdrol 3/8-16 x 1/2 TYT
212	156229	Insert Lens Reflect
--	5479J	Plug, Button

NOTE: All component dimensions given in U.S. inches
1 inch = 25.4 mm

REPAIR PARTS

TRACTOR - - MODEL NO. BL14542ST (BL14542STA), PRODUCT NO. 954 21 00-24
DRIVE



REPAIR PARTS

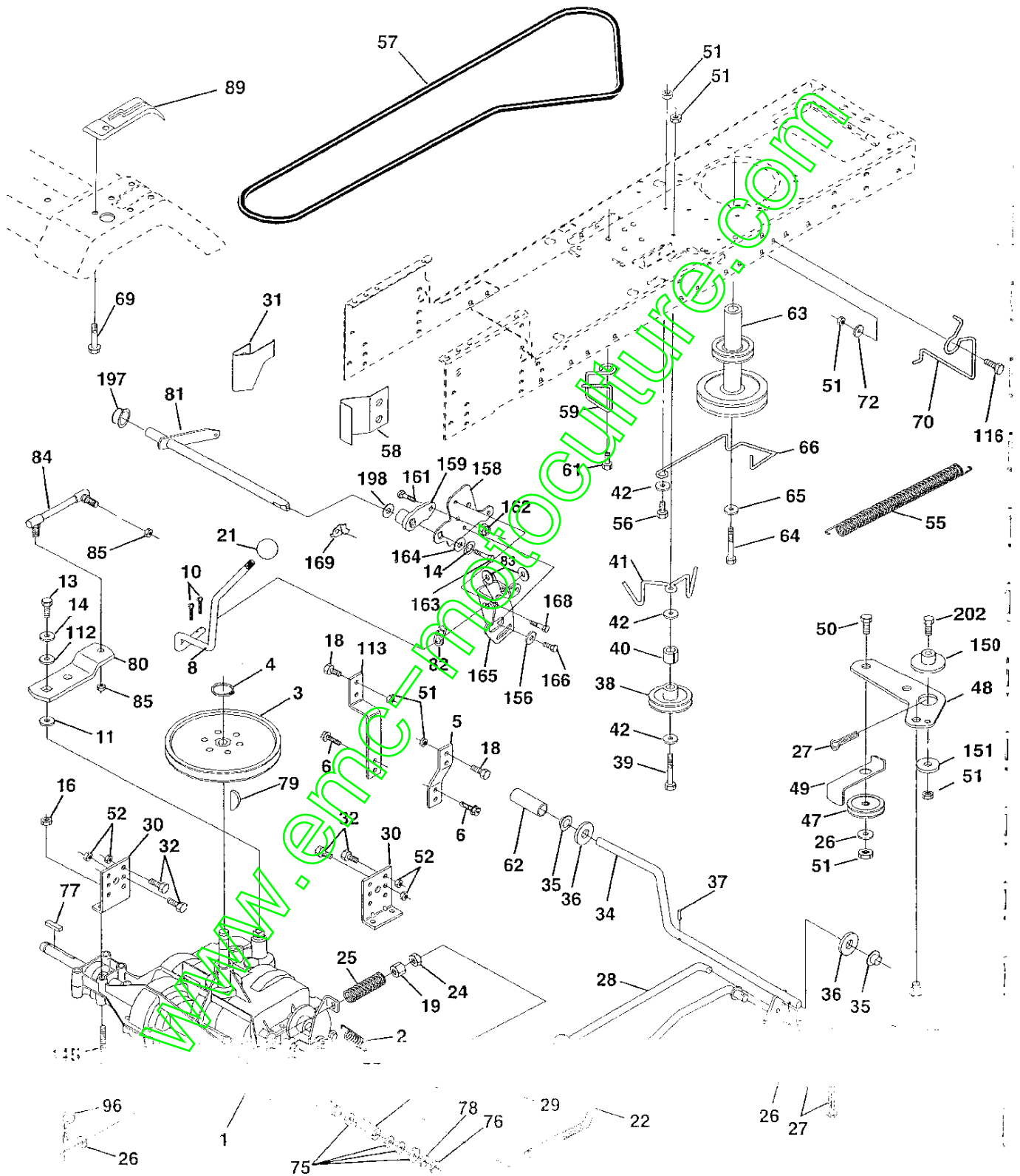
TRACTOR - - MODEL NO. BL14542ST (BL14542STA), PRODUCT NO. 954 21 00-2
DRIVE

KEY NO.	PART NO.	DESCRIPTION	KEY NO.	PART NO.	DESCRIPTION
1	----	Transaxle (See Breakdown)	63	140186	Pulley Eng Cl Mech 38deg LT/YT
		Peerless Model 206-545C	64	71170764	Bolt Hex 7/16-20 x 4 Gr 5
2	146682	Spring Return Brake T/a Zinc	65	10040700	Washer Lock Hvy Hlcl Spr 7/16
3	123666X	Pulley Transaxle 18/20" tires	66	154778	Keeper Belt Engine
4	12000028	Ring Retainer # 5100-62	70	134683	Guide Belt Mower Drive RH
5	121520X	Strap Torque 30 Degrees	72	19132012	Washer 13/32 x 1-1/4 x 12 Ga
6	17060512	Screw 5/16-18 x 3/4	74	137057	Spacer Axle
8	165619	Rod Shifter	75	121749X	Washer 25/32 x 1 1/4 x 16 Ga
10	76020416	Pin Cotter 1/8 x 1 Cad	76	12000001	E-ring #5133-75
11	105701X	Washer Plate Shf 388 Sq Hole	77	123583X	Key Square
13	74550412	Bolt 1/4-28unf Gr8 W/Patch	78	121748X	Washer 25/32 x 1-5/8 x 16ga
14	10040400	Washer Lock Hvy Helical 1/4	79	2228M	Key Woodruff #9 3/16 x 3/4
18	74780616	Bolt Fin Hex 3/8-16unc x 1 Gr.5	80	131486	Arm, Shift
19	73800600	Nut Lock Hex W/Ins. 3/8-16 Unc	81	165594	Shaft Assembly
21	106933X	Knob Rd 1/2-13 Plstc Thds Blk	82	123782X	Spring, Torsion
22	130804	Rod Brake Blk Zinc 26 840	83	19171216	Washer 17/32 x 3/4 x 16 Gauge
24	73350600	Nut Hex Jam 3/8-16 Unc	84	166228	Link Transaxle
25	106888X	Spring Rod Brake 2 00 Zinc	85	150360	Nut, Nylock
26	19131316	Washer 13/32 x 13/16 x 16 Ga	89	169372X428	Console, Shift
27	76020412	Pin Cotter 1/8 x 3/4 Cad	90	124346X	Nut, Self-Threading, Washer Hd 1/4
28	145204X008	Rod Brake Parking Lt/Yt	96	4497H	Retainer Spring 1"
29	71673	Cap Brake Parking	112	19091210	Washer 9/32 x 3/4 x 10 Ga
30	130807	Bracket Mtg Transaxle	113	127285X	Strap Torque Lh Lt
32	74760512	Bolt Hex Hd 5/16-18unc x 3/4	116	72110610	Bolt Rdhd Sq Neck 3/8-16 x 1.25
34	155070	Shaft Pedal Foot	145	74490540	Bolt Hex FLGHD 5/16-18Gr.5
35	120183X	Bearing Nylon Blk 629 Id	150	165850	Bushing
36	19211616	Washer 21/32 x 1 x 16 Ga	151	19133210	Washer 13/32 x 2 x 10 Ga.
37	1572H	Pin Roll 3/16 x 1"	156	166002	Washer Srted 5/16ID x 1 .125
38	131494	Pulley Idler Flat	158	165589	Bracket Shift Mount
39	72110622	Bolt RdHd 3/8-16 Unc x 2-3/4 Gr. 5	159	165494	Hub Tapered Flange Shift Lt
40	4470J	Spacer Split 395 x 59 Bzp	161	72140406	Bolt Rdhd Sqnk 1/4-20 x 3/4 Gr. 5
41	165838	Keeper Belt Idler	162	73680400	Nut Crownlock 1/4-20 UNC
42	19131312	Washer 13/32 x 13/16 x 12 Ga	163	74780416	Bolt Hex Fin 1/4-20 UNC x 1 Gr. 5
47	127783	Pulley Idler	164	19091010	Washer 5/8 x .281 x 10 Ga.
48	154407	Bellcrank Clutch Grnd Drv STL	165	165623	Bracket Pivot Lever
49	123205X	Retainer Belt Style Spring	166	166880	Screw 5/16-18 x 5/8
50	74760624	Bolt Hex Hd 3/8-16unc x 1-1/2	168	165492	Bolt shoulder 5/16-18 x .561
51	73680600	Nut Crownlock 3/8-16 Unc	169	165580	Plate Fastening Lt
52	73800500	Nut Lock Hx w/Ins. 5/16-18 Unc	170	165849	Keeper Belt Transaxle Gear
53	105710X	Link Clutch 7 66	197	169613	Nyliner Snap-In
55	105709X	Spring Return Clutch 6 75	198	169593	Washer Nyliner
56	74760620	Bolt Fin Hex 3/8-16 unc x 1-1/4	202	72110612	Bolt Carr Sh 3/8-16 x 1-1/2 Gr. 5
57	130801	V-Belt Gd Drive 95 00	204	17060516	Screw 5/16-18 x 1 SMGML
59	169691	Keeper Belt Centerspan			
61	17060612	Screw 3/8-16 x 3/4 SMGML			
62	8883R	Cover Pedal Blk Round			

NOTE: All component dimensions given in U.S. inches
1 inch = 25.4 mm

REPAIR PARTS

TRACTOR - - MODEL NO. BL14542ST (BL14542STC), PRODUCT NO. 954 21 00-24
DRIVE



REPAIR PARTS

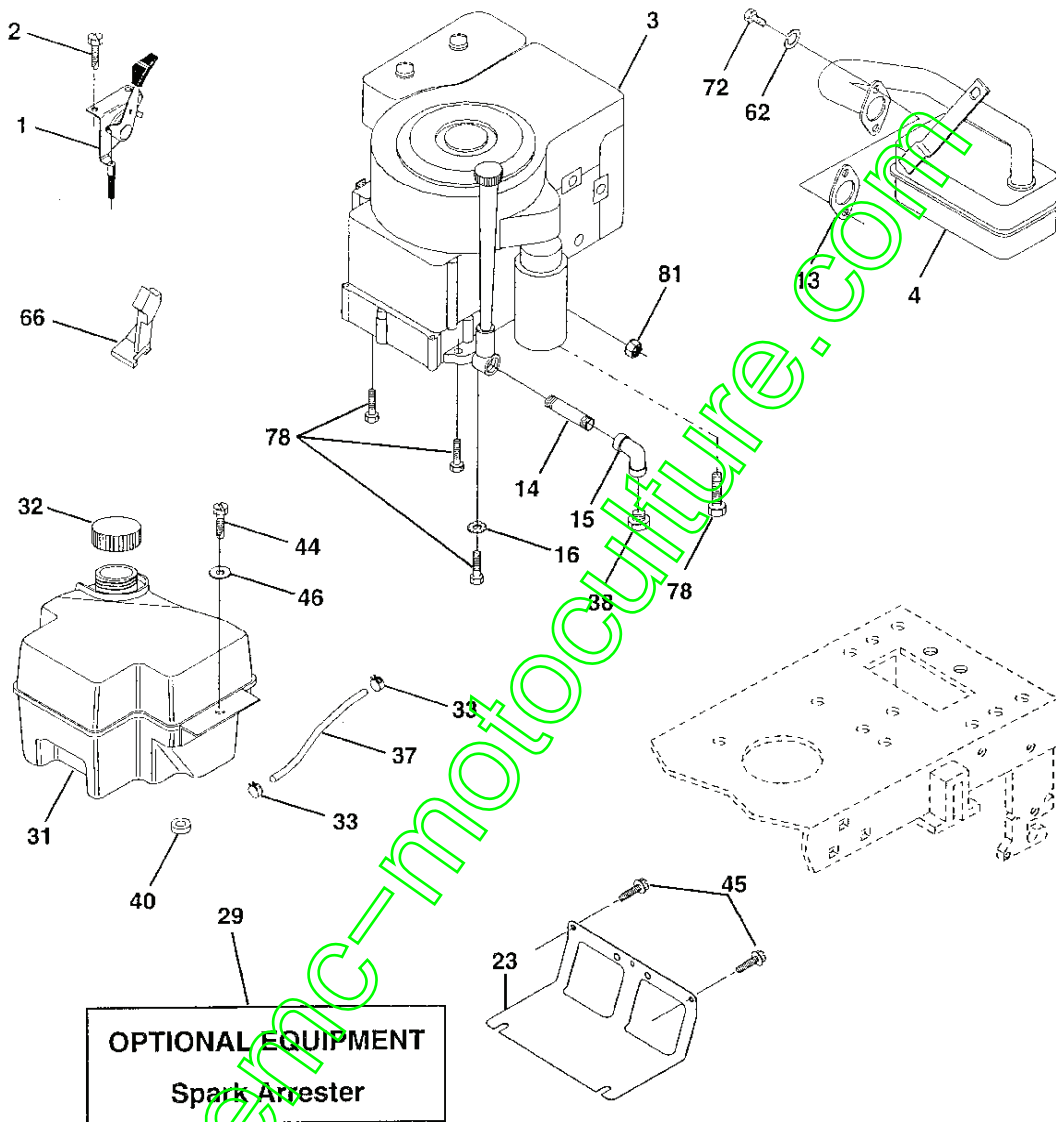
TRACTOR - - MODEL NO. BL14542ST (BL14542STC), PRODUCT NO. 954 21 00-24
DRIVE

KEY NO.	PART NO.	DESCRIPTION	KEY NO.	PART NO.	DESCRIPTION
1	----	Transaxle (Order parts from transaxle manufacturer) Peerless Model 206-545C	59	169691	Keeper Belt Centerspan
2	146682	Spring Return Brake T/a Zinc	61	17060612	Screw 3/8-16 x 3/4 SMGML
3	123666X	Pulley Transaxle 18/20" tires	62	8883R	Cover Pedal Blk Round
4	12000028	Ring Retainer #5100-62	63	140186	Pulley Eng Cl Mech 38deg LT/YT
5	121520X	Strap Torque 30 Degrees	64	71170764	Bolt Hex 7/16-20 x 4 Gr 5
6	17060512	Screw 5/16-18 x 3/4	65	10040700	Washer Lock Hvy Hlcl Spr 7/16
8	165619	Rod Shifter	66	154778	Keeper Belt Engine
10	76020416	Pin Cotter 1/8 x 1 Cad	69	142432	Screw Hex Wsh Hi-Lo 1/4-1/2 Unc
11	105701X	Washer Plate Shf 388 Sq Hole	70	134683	Guide Belt Mower Drive RH
	74550412	Bolt 1/4-28unf Gr8 W/Patch	72	19132012	Washer 13/32 x 1-1/4 x 12 Ga
	10040400	Washer Lock Hvy Helical 1/4	74	137057	Spacer Axle
16	73800500	Nut Lock Hx w/Ins. 5/16-18 Unc	75	121749X	Washer 25/32 x 1 1/4 x 16 Ga
18	74780616	Bolt Fin Hex 3/8-16unc x 1 Gr.5	76	12000001	E-ring #5133-75
19	73800600	Nut Lock Hex W/Ins. 3/8-16 Unc	77	123583X	Key Square
21	106933X	Knob Rd 1/2-13 Plstc Thds Blk	78	121748X	Washer 25/32 x 1-5/8 x 16ga
22	130804	Rod Brake Blk Zinc 26 840	79	2228M	Key Woodruff #9 3/16 x 3/4
24	73350600	Nut Hex Jam 3/8-16 Unc	80	131486	Arm, Shift
25	106888X	Spring Rod Brake 2 00 Zinc	81	165694	Shaft Assembly
26	19131316	Washer 13/32 x 13/16 x 16 Ga	82	123782X	Spring, Torsion
27	76020412	Pin Cotter 1/8 x 3/4 Cad	83	19171216	Washer 17/32 x 3/4 x 16 Gauge
28	145204	Rod Brake Parking Lt/Yt	84	166228	Link Transaxle
29	71673	Cap Brake Parking	85	150360	Nut, Nylock
30	130807	Bracket Mtg Transaxle	89	169372X428	Console, Shift
31	127275X	Belt Keeper LH	96	4497H	Retainer Spring 1"
32	74760512	Bolt Hex Hd 5/16-18unc x 3/4	112	19091210	Washer 9/32 x 3/4 x 10 Ga
34	155071	Shaft Pedal Foot	113	127285X	Strap Torque Lh Lt
35	120183X	Bearing Nylon Blk 629 Id	116	72110610	Bolt Rdhd Sq Neck 3/8-16 x 1.25
36	19211616	Washer 21/32 x 1 x 16 Ga	145	74490540	Bolt Hex FLGHD 5/16-18Gr.5
37	1572H	Pin Roll 3/16 x 1"	150	165850	Bushing
38	131494	Pulley Idler Flat	151	19133210	Washer 13/32 x 2 x 10 Ga.
39	74760644	Bolt Fin Hex 3/8-16 Unc x 2-3/4	156	166002	Washer Srrted 5/16ID x 1 .125
	4470J	Spacer Split 395 x 59 Bzp	158	165589	Bracket Shift Mount
41	165838	Keeper Belt Idler	159	165494	Hub Tapered Flange Shift Lt
42	19131312	Washer 13/32 x 13/16 x 12 Ga	161	72140406	Bolt Rdhd Sqnk 1/4-20 x 3/4 Gr. 5
47	127783	Pulley Idler	162	73680400	Nut Crownlock 1/4-20 UNC
48	154407	Bellcrank Clutch Gnd Drv STL	163	74780416	Bolt Hex Fin 1/4-20 UNC x 1 Gr. 5
49	123205X	Retainer Belt Style Spring	164	19091010	Washer 5/8 x .281 x 10 Ga.
50	74760624	Bolt Hex Hd 3/8-16unc x 1-1/2	165	165623	Bracket Pivot Lever
51	73680600	Nut Crownlock 3/8-16 Unc	166	166880	Screw 5/16-18 x 5/8
52	73680500	Nut Crownlock 5/16-18	168	165492	Bolt shoulder 5/16-18 x .561
53	105710X	Link Clutch 7 66	169	165580	Plate Fastening Lt
55	105709X	Spring Return Clutch 6 75	197	169613	Nyliner Snap-In
57	74760620	Bolt Fin Hex 3/8-16 unc x 1-1/4	198	169593	Washer Nyliner
	130801	V-Belt Gd Drive 95 00	202	72110612	Bolt Carr Sh 3/8-16 x 1-1/2 Gr 5

NOTE: All component dimensions given in U.S. inches
1 inch = 25.4 mm

REPAIR PARTS

TRACTOR - - MODEL NO. BL14542ST (BL14542STA), PRODUCT NO. 954 21 00-2-ENGINE



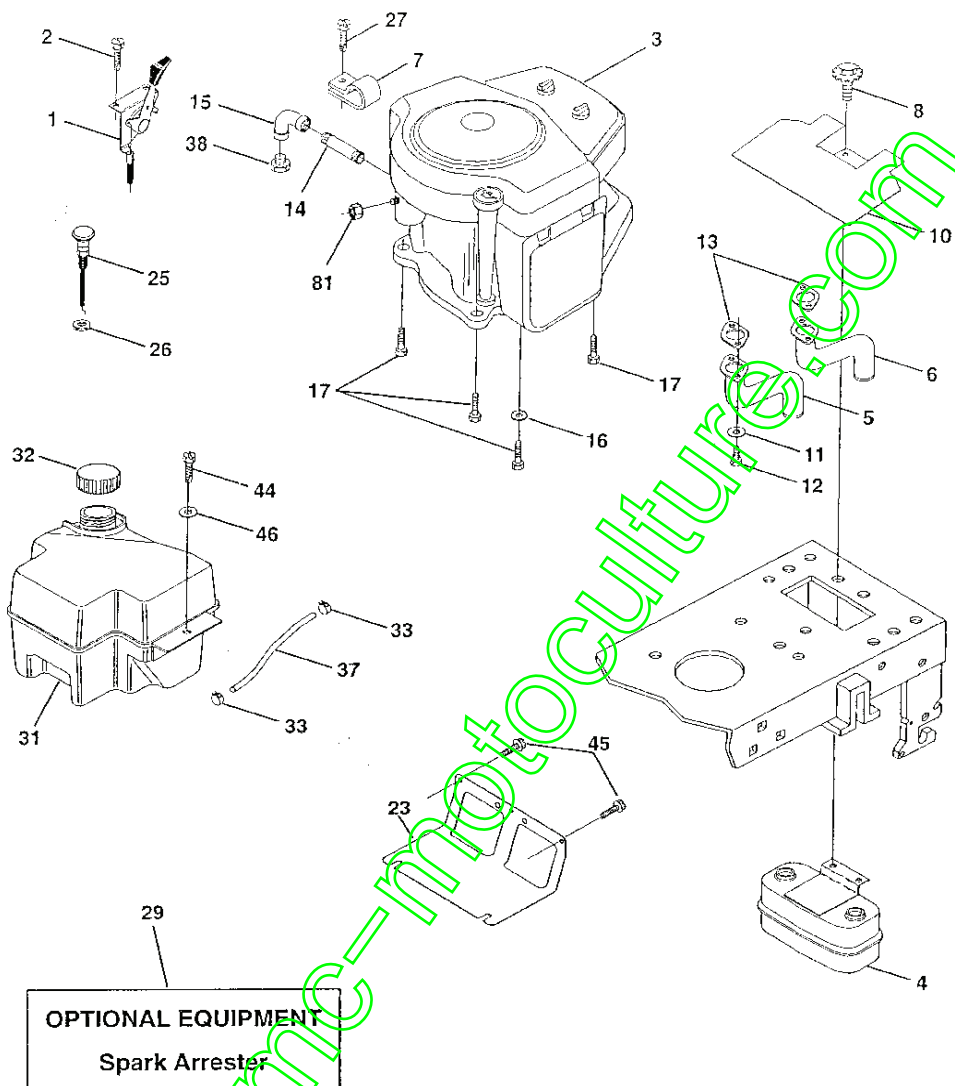
KEY NO.	PART NO.	DESCRIPTION
1	141359	Control Throttle/Choke
2	17720410	Screw Hex Thd Cut 1/4-20x5/8 T
3	-----	Engine Briggs Model No. 287707 (Order Parts From Engine Mfg.)
4	137352	Muffler Exhaust B&S Lt
13	165291	Gasket 1 313 Id Tin Plated
16	11050600	Washer Lock Ext Tooth 3/8
23	169837	Shield BRN/DBR Guard
29	137180	Arrestor Spark
31	161911	Tank Fuel
32	140527	Cap Asm Fuel
33	123487X	Clamp Hose Blk
37	137040	Line Fuel 20"

KEY NO.	PART NO.	DESCRIPTION
38	-----	Plug Oil Drain (Order From Engine Manufacturer)
40	124028X	Bushing Snap Nyl Blk Fuel Line
44	17490412	Screw Hexwsh Thdrol 1/4-20x3/4
45	17060612	Screw 3/8-16 x .75 SMGML
46	19091416	Washer 9/32 X 7/8 X 16ga
72	71070512	Screw Hexhd Cap 5/16-18x3/4
78	17060620	Screw 3/8-16x1-1/4
81	128861	Nut Flange 1/4-20 Starter Nut

NOTE: All component dimensions given in U.S. inches
1 inch = 25.4 mm

REPAIR PARTS

TRACTOR - - MODEL NO. BL14542ST (BL14542STC), PRODUCT NO. 954 21 00-24
ENGINE



KEY NO.	PART NO.	DESCRIPTION
1	141295	Control Throt 35.5 Lh Flag
2	17720410	Screw Hex Thd Cut 1/4-20x5/8 T
3	-----	Engine Briggs Model 461707 (Order Parts from Engine Manufacturer)
4	149723	Muffler Exhaust
5	144069	Exhaust Asm. Left
6	144068	Exhaust Asm. Right

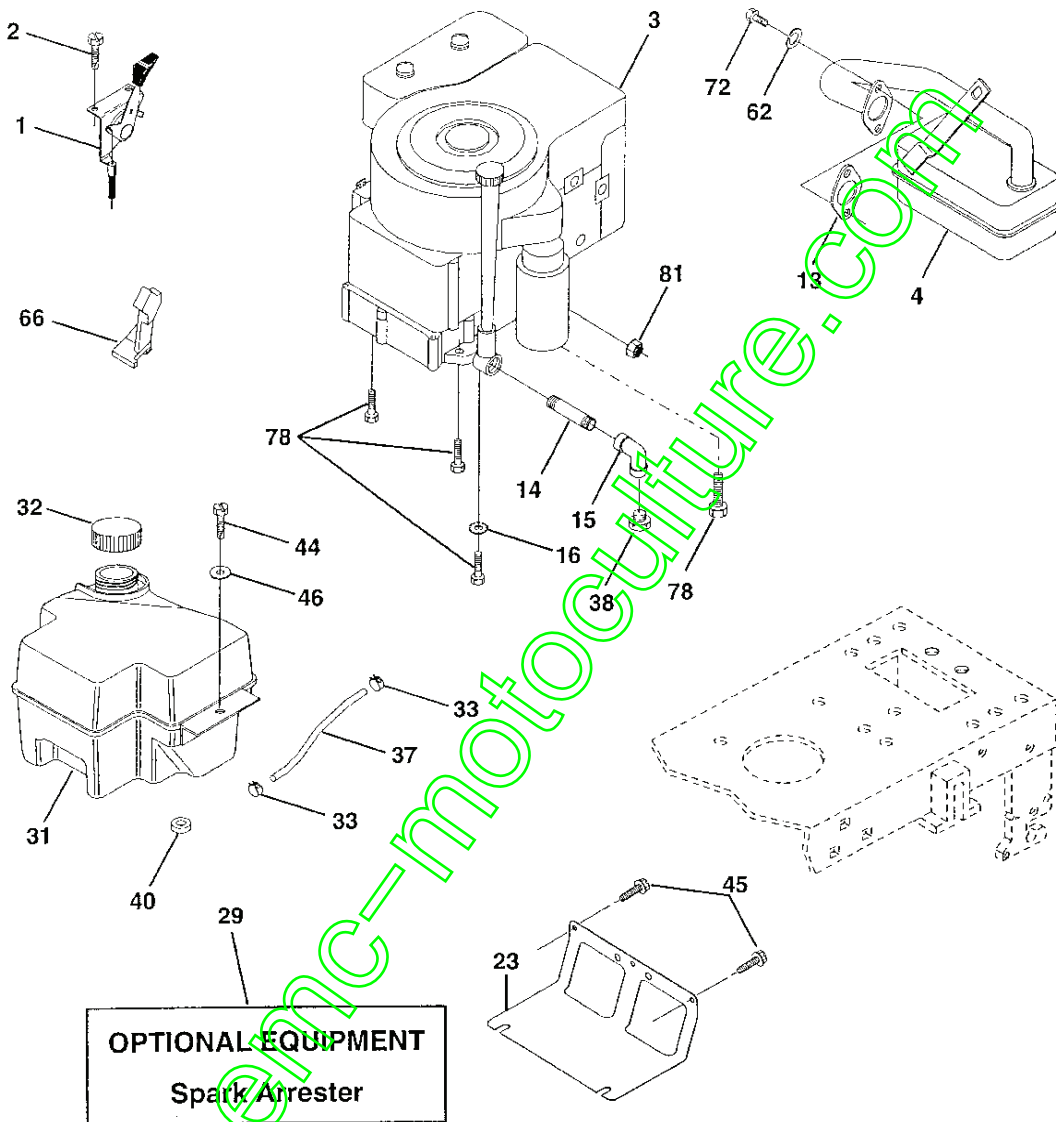
KEY NO.	PART NO.	DESCRIPTION
23	169837	Shield Brn/Dbr Guard
25	145996	Control Choke
26	73920600	Nut Keps 3/8-24 UNF
27	152927	Screw TT #10-32.5 3/8 Flange
29	137180	Arrestor Spark
31	161911	Tank Fuel Front 2.00
32	140527	Cap Fuel
33	123487X	Clamp Hose Blk
40	124028X	Bushing Snap Nyl Blk Fuel Line
44	17670412	Screw Hex wsh Thdrol 1/4-20 x 3/4
45	17000612	Screw Hex Wsh Thdr 3/8-16 x 3/4
46	19091416	Washer 9/32 x 7/8 x 16 Ga.
81	73510400	Nut Keps Hex 1/4-20 Unc

NOTE: All component dimensions given in U.S. inches
1 inch = 25.4 mm

10	145552	Shield Heat
11	10040400	Wash Lock Hvy Hlci spr 1/4
12	74780412	Bolt Fin Hex 1/4-20 x 3/4
13	165287	Gasket Muffler
14	13280336	Nipple Pipe 4-12"
15	13200300	Elbow Std 90 Degree 3/8-18 Npt
16	11050600	Washer Lock Ext Tooth 3/8
17	17490624	Screw Thdrol 3/8-16 x 1-1/2 Tyt

REPAIR PARTS

TRACTOR - - MODEL NO. BL14542ST (BL14542STD), PRODUCT NO. 954 21 00-2-ENGINE



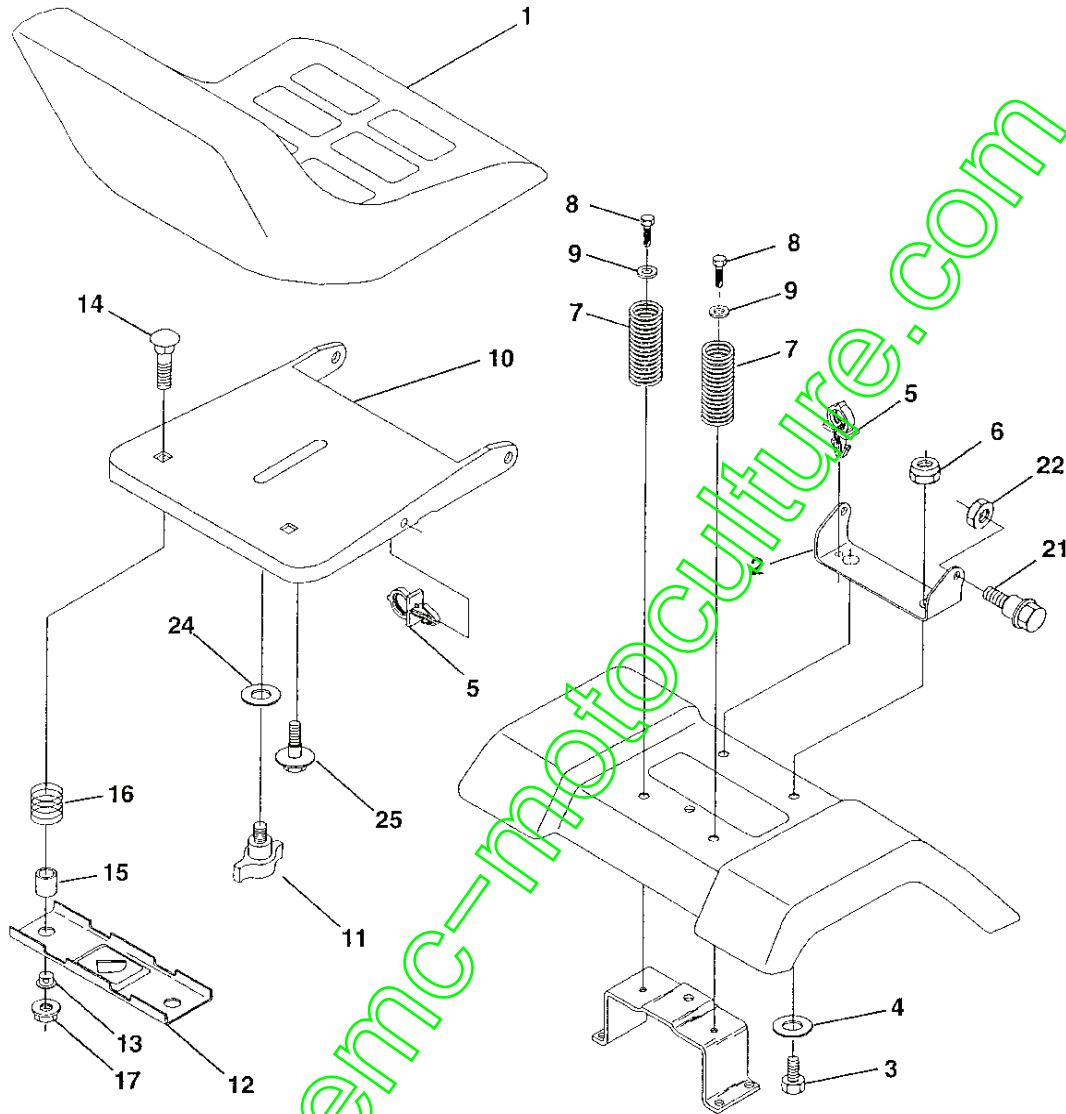
KEY NO.	PART NO.	DESCRIPTION
1	141359	Control Throttle/Choke
2	17720410	Screw Hex Thd Cut 1/4-20x5/8 T
3	-----	Engine Briggs Model No. 287707 (Order Parts From Engine Mfg.)
4	137352	Muffler Exhaust B&S Lt
15	13200300	Elbow Std 90 Degree 3/8-18 Npt
16	11050600	Washer Lock Ext Tooth 3/8
23	169837	Shield BRN/DBR Guard
29	137180	Arrestor Spark
31	161911	Tank Fuel
32	140527	Cap Asm Fuel
33	123487X	Clamp Hose Blk Line Fuel 20"
37	137040	Line Fuel 20"

KEY NO.	PART NO.	DESCRIPTION
38	-----	Plug Oil Drain (Order From Engine Manufacturer)
40	124028X	Bushing Snap Nyl Blk Fuel Line
44	17670412	Screw Hexwsh Thdrol 1/4-20x3/4
45	17000612	Screw Hexwsh Thdr 3/8-16 x 3/4
66	12/951	Stop Throttle
72	71070512	Screw Hexhd Cap 5/16-18x3/4
78	17060620	Screw 3/8-16x1-1/4
81	73510400	Nut Keps Hex 1/4-20 Unc

NOTE: All component dimensions given in U.S. inches
1 inch = 25.4 mm

REPAIR PARTS

TRACTOR - - MODEL NO. BL14542ST (BL14542STA), PRODUCT NO. 954 21 00-24
SEAT ASSEMBLY



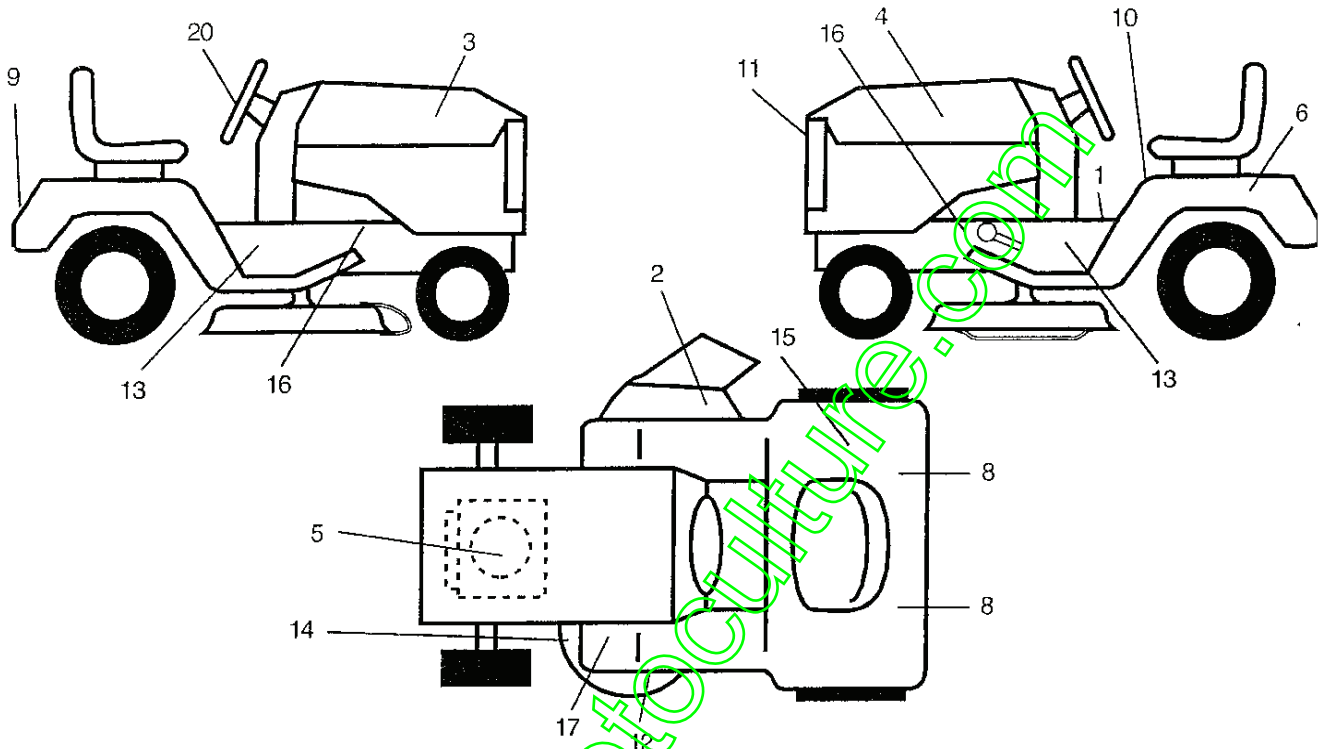
KEY NO.	PART NO.	DESCRIPTION
1	140117	Seat
2	140551	Bracket Pnt Pivot Seat (blk)
3	71110616	Bolt Fin Hex 3/8-16unc X 1
4	19131610	Washer 13/32 X 3/4 X 10 Ga
5	145006	Clip Push In Hinged
6	72900600	Nut Hex Lock w/Ins 3/8-16 Unc
7	17000010	Screw 3/8-16 X 1 1/2
8	19131614	Washer 13/32 X 1 X 14 Ga
9	155925	Pan Pnt Seat (blk)
10	166369	Knob Seat
11	121246X	Bracket Pnt Mounting Switch

KEY NO.	PART NO.	DESCRIPTION
12	121248X	Bushing Snap Blk Nyl 50 Id
13	72050412	Bolt Rdhd Sht Nk 1/4-20x1-1/2
14	134300	Spacer Split 28 X 96 Zinc
15	121250X	Spring Cprsn 1 27 Blk Pnt
16	123976X	Nut Lock 1/4 Lge Flg Gr 5 Zinc
17	171852	Bolt Shoulder 5/16-18 Unc-2A
18	127018X	Bolt Shoulder 5/16-18 X 62

NOTE: All component dimensions given in U.S. inches
1 inch = 25.4 mm

REPAIR PARTS

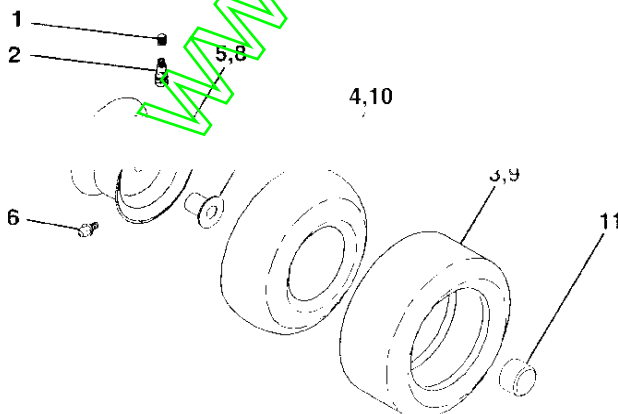
TRACTOR - - MODEL NO. BL14542ST (BL14542STA), PRODUCT NO. 954 21 00-2'
DECALS



KEY NO.	PART NO.	DESCRIPTION
1	140837	Decal, Saddle Brake Parking
2	145494	Decal, Mower Cut Finger Symbol
3	170996	Decal, Hood Rh
4	170997	Decal, Hood Lh
5	170846	Decal, Hp Engine
6	145005	Decal, Bat Dan/Poi
7	126187X	Decal, 100 DBA
8	106202X	Reflector Tail Light
9	166708	Decal, Fender
10	145498	Decal, Read Owners Manual
11	166287	Decal, Lens

KEY NO.	PART NO.	DESCRIPTION
12	135013	Decal, Enviro
13	157624	Decal, Chassis
14	160396	Decal, V-belt Schematic
15	145437	Decal, Europe Stand CE
16	159736	Decal Chassis Hot Muffler
17	159737	Decal Brake/Clutch Symbol
20	166285	Decal, Ins Strg Whl
--	138311	Decal, Lift Handle
--	157199X428	Pad, Footrest LH STLT
--	162598	Decal, Drawerbar Load Limit
--	171654	Manual Oper Euro

WHEELS & TIRES

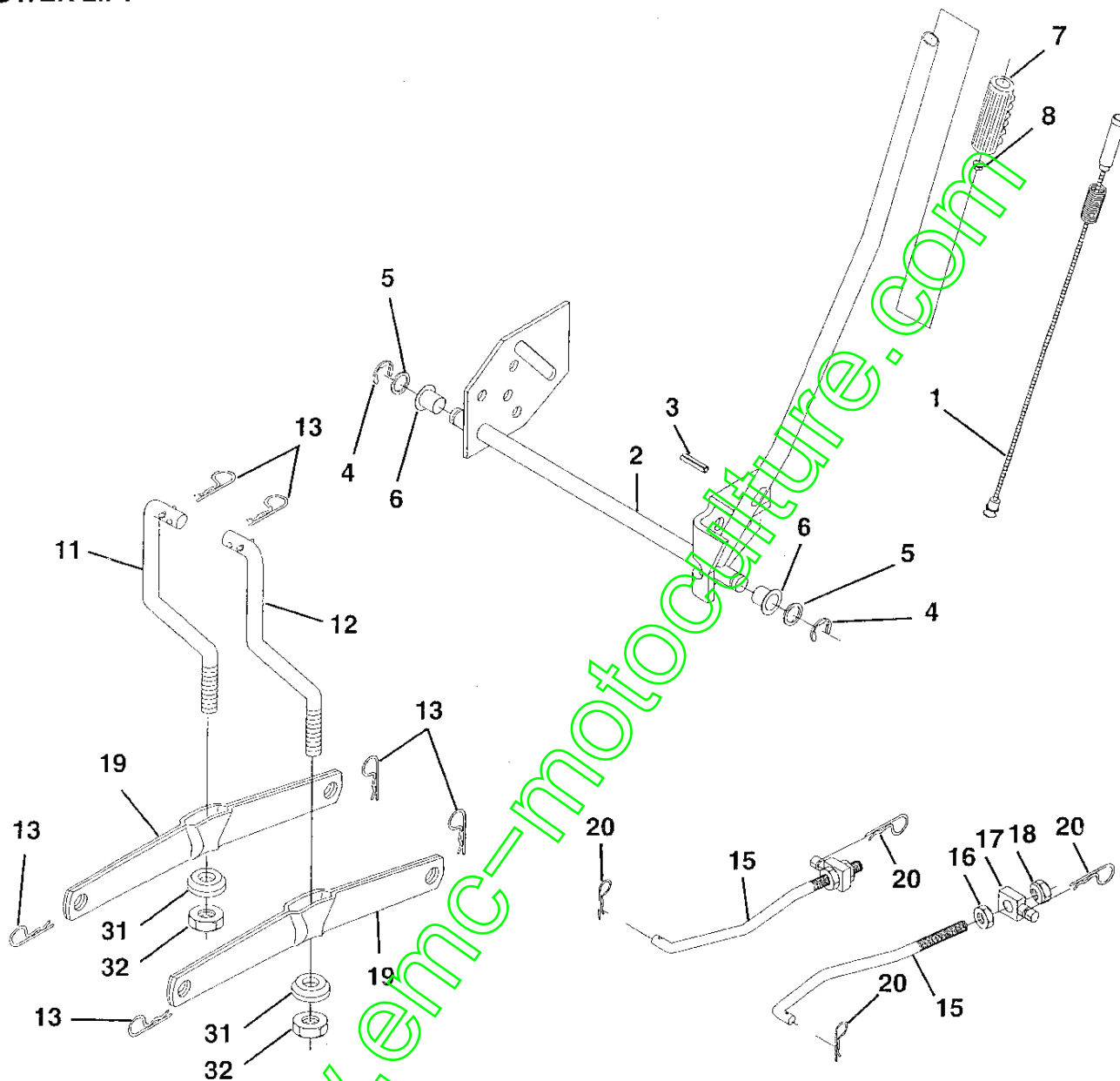


KEY NO.	PART NO.	DESCRIPTION
1	59192	Cap Valve Tire
2	65139	Stem Valve
3	106222X	Tire F Ts 15 X 6 0 - 6 Service
4	59904	Tube Inner Front #35060
7	9040H	Bearing Flange
8	106108X421	Rim Asm 8"rear Service
9	106268X	Tire R Ts 18x9 5-8 Service
10	7152J	Tube Rear 9 5 X 8 Service
11	104757X	Cap Axle Blk 1 50 X 1 00
--	144334	Sealant, Tire (10 oz. tube)

NOTE: All component dimensions given in U.S. inches
1 inch = 25.4 mm

REPAIR PARTS

TRACTOR - - MODEL NO. BL14542ST (BL14542STA), PRODUCT NO. 954 21 00-24
MOWER LIFT



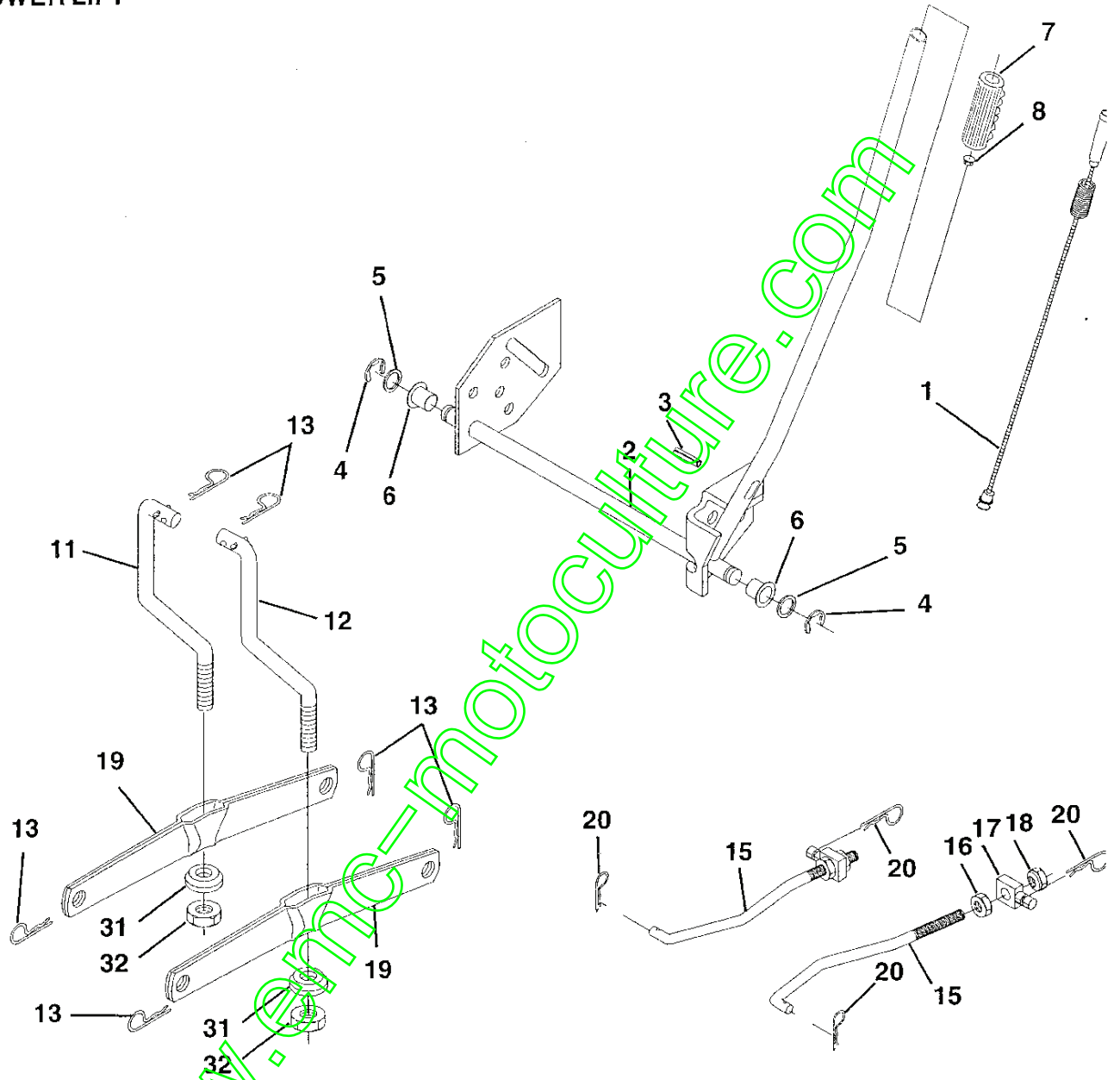
KEY NO.	PART NO.	DESCRIPTION
1	159460	Washer Asm Inner Spring W/Plunger
2	159471	Shaft Asm Lift RH
3	105767X	Pin Groove
4	12000002	F Ring #5133-62
5	12010001	Locking Spring
7	109413X	Grip Handle
8	124526X	Button Plunger
11	139865	Link Asm Lift L.H.
12	139866	Link Asm Lift R.H.
13	4939M	Retainer Spring

KEY NO.	PART NO.	DESCRIPTION
15	167253	Link Front
16	73350800	Nut Jam Hex 1/2-13 Unc
17	130171	Trunnion Blk Zinc
18	73680800	Nut Crownlock 1/2-13 Unc
19	12010002	Retainer Spring
31	140302	Bearing, Pvt. Lift. Spherical
32	73540600	Nut Crownlock 3/8-24

NOTE: All component dimensions given in U.S. inches
1 inch = 25.4 mm

REPAIR PARTS

TRACTOR - - MODEL NO. BL14542ST (BL14542STD), PRODUCT NO. 954 21 00-
MOWER LIFT



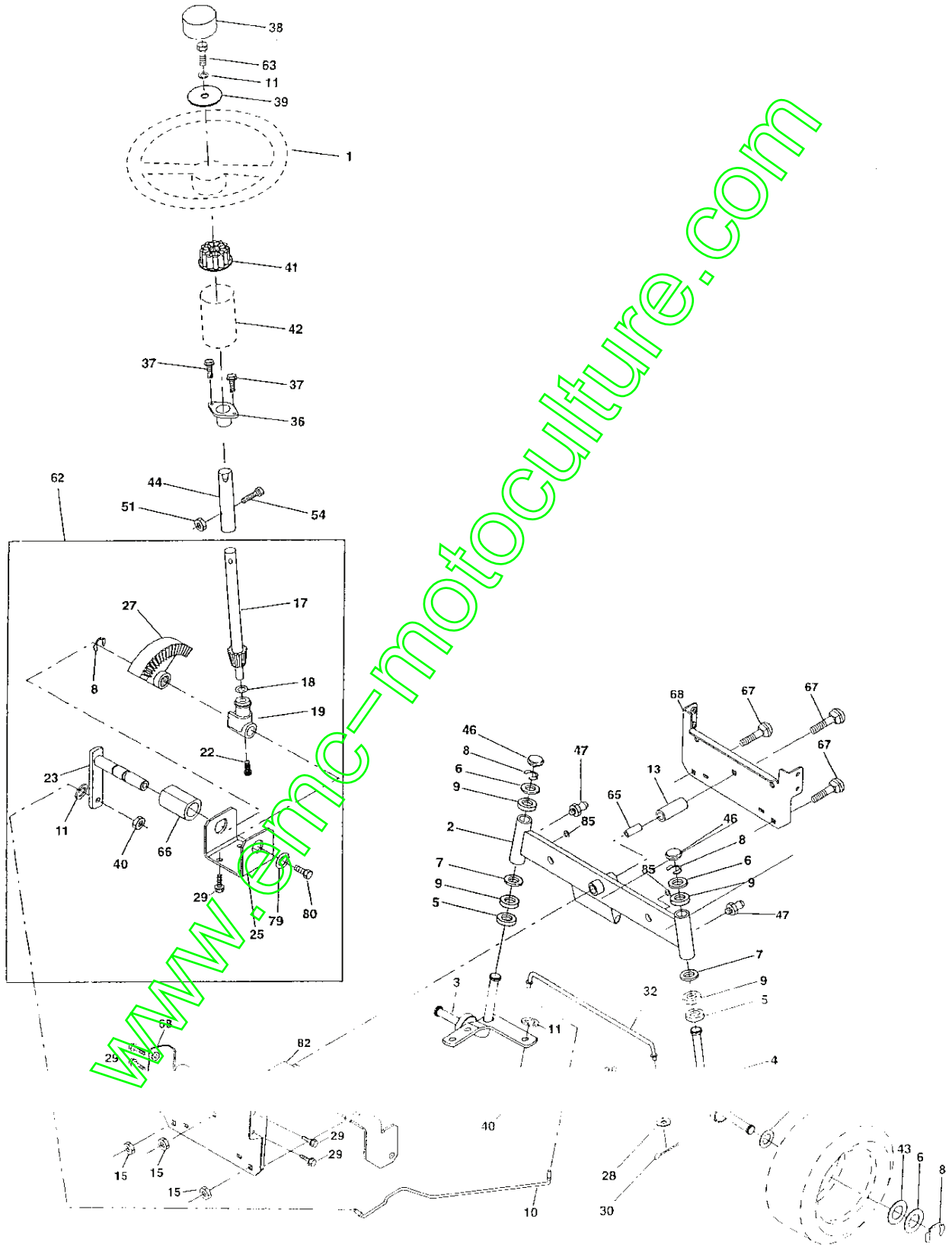
KEY NO.	PART NO.	DESCRIPTION
1	159460	Washer Asm Inner Spring W/Plunger
2	159471	Shaft Asm. Lift RH
3	105767X	Pin Groove
6	120183X	Bearing Nylong
7	109413X	Grip Handle
8	124526X	Button Plunger
11	139865	Link Asm Lift L.H.
12	139866	Link Asm Lift R.H.
13	4939M	Retainer Spring

KEY NO.	PART NO.	DESCRIPTION
15	173288	Link Front
16	73350800	Nut Jam Hex 1/2-13 Unc
17	130171	Trunnion Blk Zinc
20	163552	Retainer Spring
31	169865	Bearing, Pvt. Lift.
32	73540600	Nut Crownlock 3/8-24

NOTE: All component dimensions given in U.S. inches
1 inch = 25.4 mm

REPAIR PARTS

TRACTOR - - MODEL NO. BL14542ST (BL14542STC), PRODUCT NO. 954 21 00-2
STEERING ASSEMBLY



REPAIR PARTS

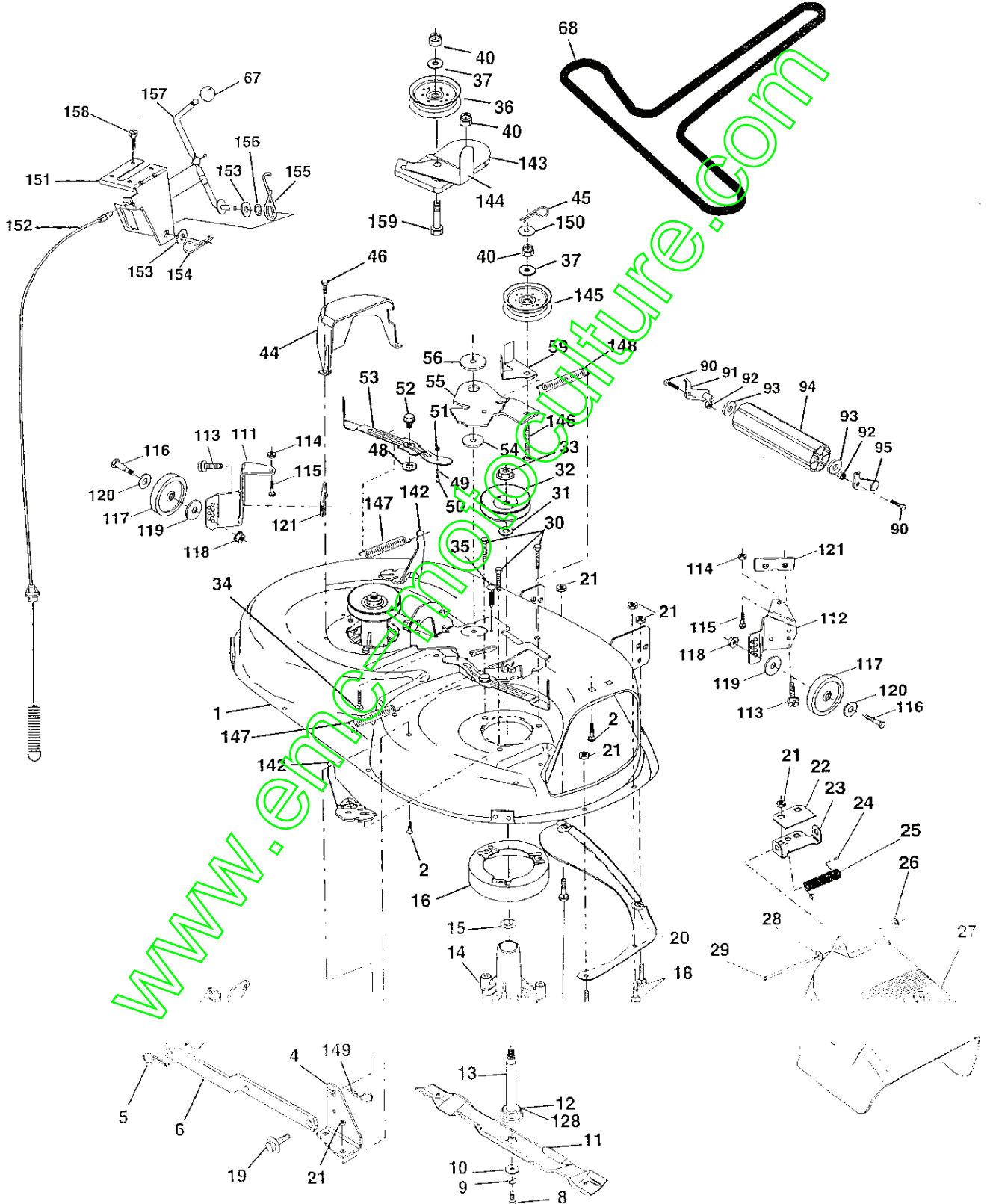
TRACTOR - - MODEL NO. BL14542ST (BL14542STC), PRODUCT NO. 954 21 00-24
STEERING ASSEMBLY

KEY NO.	PART NO.	DESCRIPTION
1	139768	Steering Wheel
2	154427	Front Axle Assembly
3	169840	Spindle Assembly, L.H.
4	169839	Spindle Assembly, R.H.
5	6266H	Bearing, Race, Thrust, Hardened
6	121748X	Washer 25/32 x 1-5/8 x 16 Gauge
7	19272016	Washer 27/32 x 1-1/4 x 16 Gauge
8	12000029	Ring, Klip
9	3366R	Bearing, Steering Column
10	169832	Link, Drag
11	10040600	Washer, Lock
13	136518	Spacer, Bearing, Front Axle
15	145212	Nut, Hex Flange Lock
17	156546	Shaft Assembly, Steering
18	57079	Washer, Thrust .515 x .750 x .033
19	160395	Support, Shaft
22	165857	Screw Hex WSH HDTorx
23	165851	Pittman Shaft Assembly
25	154406	Bracket, Steering
26	126847X	Bushing, Link, Drag
27	136874	Gear, Sector
28	19131416	Washer 13/32 x 7/8 x 16 Gauge
29	17060612	Screw 3/8-16 x 3/4
30	76020412	Pin
32	130465	Rod, Tie
36	155099	Bushing, Steering
37	152927	Screw TT #10-32 x 5 x 3/8 Flange
38	140175	Cap Wheel Steer
39	19133812	Washer 13/32 x 2-3/8 x 12 Gauge
40	7810H	Nut Lock Center 3/8-242 Unf
41	100711E	Adaptor, Steering Wheel
42	145054X428	Boot, Steering Dash P/L Mtl Blk
43	121749X	Washer 25/32 x 1-1/4 x 16 Gauge
44	155720	Extension Steering Non-Adjust
46	121232X	Cap, Spindle
47	6855M	Fitting, Grease
51	73800500	Nut Lock Hx W/Ins 5/16-18 UNC
54	74780520	Bolt Fin Hex 5/16-18 UNC x 1-1/4
62	167902	Kit, Steering Assembly, Service
63	74780616	Bolt Fin Hex 3/8-16 unc. x 1 Gr. 5
65	160367	Spacer Axle
66	154404	Bearing Arm Pittman
67	72140618	Bolt RdHd Sqnk 3/8-16 x 2-1/4
68	169827	Brace Axle
79	19132012	Washer 13/32 x 1-1/4 x 12 Ga.
80	74950612	Bolt Hex Nylon 3/8-16 x 3/4
82	169835	Bracket Susp Chassis Front

NOTE: All component dimensions given in U.S. inches
1 inch = 25.4 mm

REPAIR PARTS

TRACTOR - - MODEL NO. BL14542ST (BL14542STA), PRODUCT NO. 954 21 00-2.
MOWER DECK



REPAIR PARTS

**TRACTOR - - MODEL NO. BL14542ST (BL14542STA), PRODUCT NO. 954 21 00-24
MOWER DECK**

KEY NO.	PART NO.	DESCRIPTION	KEY NO.	PART NO.	DESCRIPTION
1	165892	Mower Deck Assembly, 42"	67	106932X	Knob
2	72140506	Bolt	68	144959	V-Belt
3	138017	Bracket Assembly, Sway Bar, Front	92	73800600	Nut
4	165460	Bracket Sway Bar 38/42" Deck	90	74760616	Bolt Fin Hex 3/8-16 Unc x 1
5	4939M	Retainer Spring	91	132274	Bracket Asm Noseroller LH
6	130832	Arm, Suspension, Rear	93	19171416	Washer 17/32 x 7/8 x 16 Ga.
8	850857	Bolt, Hex 3/8-24 x 1.25 Gr. 8	94	132264	Roller Nose
9	10030600	Washer, Lock	95	132273	Bracket Asm Noseroller RH
10	140296	Washer, Hardened	103	19061216	Washer #10
11	138498	Blade, Mulching	111	155197	Bracket, Gauge, Wheel L.H.
12	129895	Bearing, Ball	112	155198	Bracket, Gauge, Wheel R.H.
13	137645	Shaft Assembly, Mandrel, Vented (Includes Key Number 12)	113	17060512	Screw 5/16-18 x 3/4
14	128774	Housing, Mandrel, Vented	114	73510500	Nut, Hex, Keps 5/16-18 UNC
15	110485X	Bearing, Ball, Mandrel	115	72110504	Bolt, Carriage 5/16 UNC x 1/2
16	140329	Stripper, Vented Mower Deck	116	4898H	Bolt, Shoulder
18	72140505	Bolt, Carriage 5/16-18 x 5/8	117	105455X	Wheel, Gauge
19	132827	Bolt, Shoulder	118	73930600	Nut, Centerlock 3/8-16
20	159770	Baffle, Vortex	119	19121414	Washer 3/8 x 7/8 x 14 Gauge
21	73680500	Nut Crownlock 5/16-18 UNC	120	19171512	Washer 17/32 x 15/16 x 12 Ga.
22	134753	Stiffener Bracket	121	148723	Bracket
23	131267	Bracket, Deflector	128	153390	Washer Felt
24	105304X	Cap, Sleeve	142	165890	Arm Spring Brake Mower
25	123713X	Spring, Torsion, Deflector	143	157109	Bracket Arm Idler 42"
26	110452X	Nut, Push	144	158634	Keeper Belt 42" Clutch Cable
27	130968x428	Shield, Deflector	145	165888	Pulley Idler Flat
28	19111016	Washer 11/32 x 5/8 x 16 Ga.	146	165891	Bolt Carriage Idler
29	131491	Rod, Hinge	147	131335	Spring Extension
30	157722	Screw Thd Wash Washer Head	148	169022	Spring Return Idler
31	129963	Washer, Spacer	149	165898	Retainer Spring Yellow Zinc
32	153535	Pulley, Mandrel	150	19091216	Washer 9/32 x 3/4 x 16 Ga.
33	137266	Nut, Toplock, Flanged	151	169670	Bracket Clutch
34	72110614	Bolt	152	169676	Cable Clutch 42 In
35	133835	Fastner, Christmas Tree	153	169674	Washer Flat 3/8" Type B
36	131494	Washer, Idler, Flat	154	169675	Spring Retainer
37	19131316	Washer 13/32 x 13/16 x 16 Gauge	155	169671	Spring Retention Lever
40	73680600	Nut Crownlock 3/8-16 UNC	156	169672	Spacer
44	140088	Guard, Mandrel, L.H.	157	169669	Rod Clutch
45	4497h	Retainer	158	17720410	Screw Hex Thd Cut 1/4-20 x 5/8
46	137729	Screw, Thd. Roll 1/4-20 x 5/8	159	72140614	Bolt RdHd Sqn 3/8-16 Unc x 1-3/4
48	133944	Washer, Hardened	--	166794	Mandrel Assembly (Includes Key Numbers 8-10, 12-15, 31 and 32)
49	155066	Roller Assembly, Cam Follower	--	171491	Mower Deck, Complete (Standard Deck, Order Separately Mulcher Plate and Gauge Wheel Components, Key Nos. 101-106 and 111-121)
50	131340	Bolt, Shoulder #10-24 Grade 5			
51	69180	Locknut			
52	139888	Bolt, Shoulder 5/16-18 UNC			
53	131845	Arm Assembly, Pad, Brake			
56	165723	Spacer, Retainer			
59	141043	Guard, TUV Idler			

NOTE: All component dimensions given in U.S. inches
1 inch = 25.4 mm