

CATALOGUE PIECES DE RECHANGE

BERNARD **Loisirs**

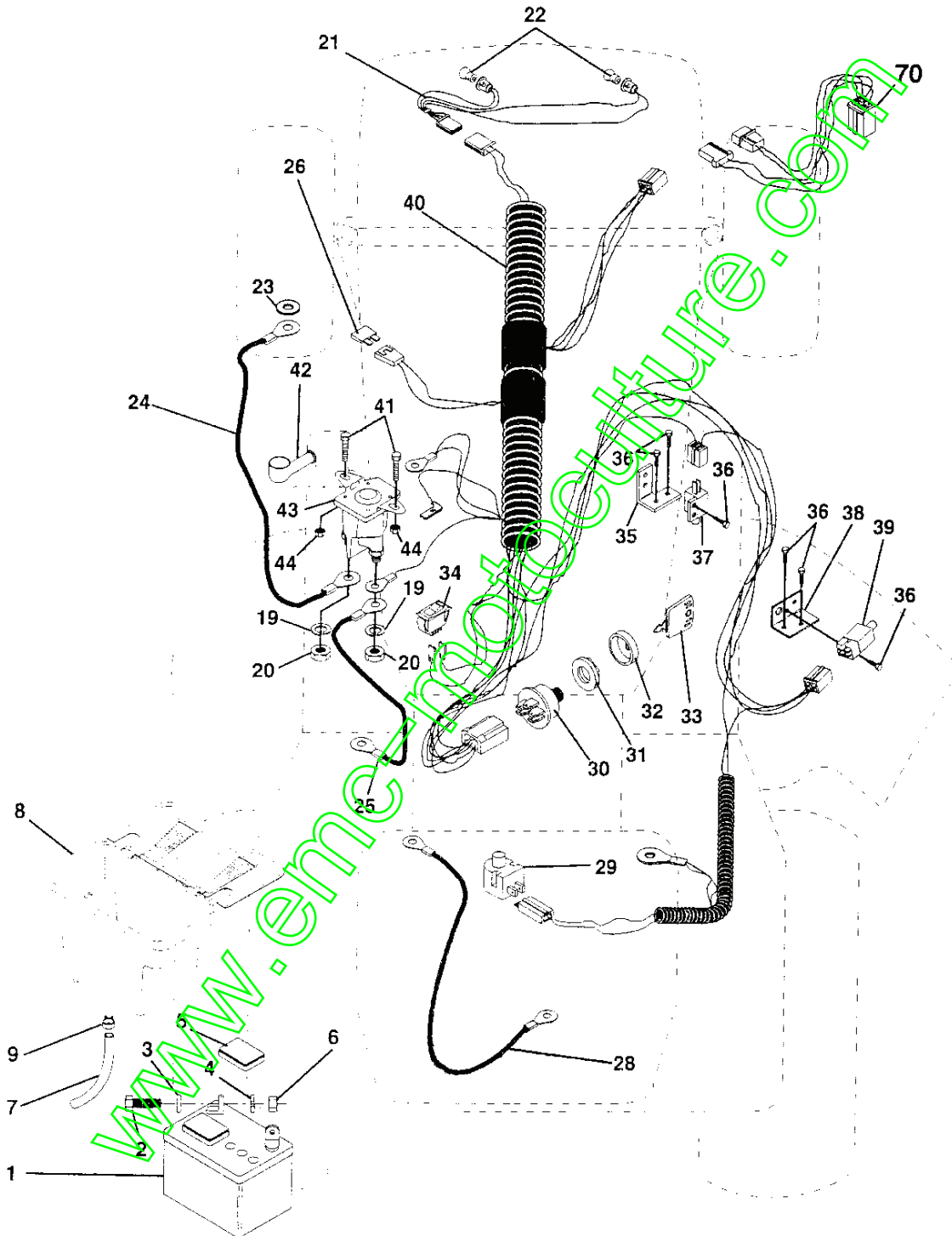
TRACTEUR DE PELOUSE

MODELE : BL 1542 LTD

N° DE PRODUIT : 9540024-51

REPAIR PARTS

15 HP 42" TRACTOR - - MODEL NO. BL1542LTDB, PRODUCT NO. 954 00 24-51
ELECTRICAL



REPAIR PARTS

15 HP 42" TRACTOR - - MODEL NO. BL1542LTDB, PRODUCT NO. 954 00 24-51
ELECTRICAL

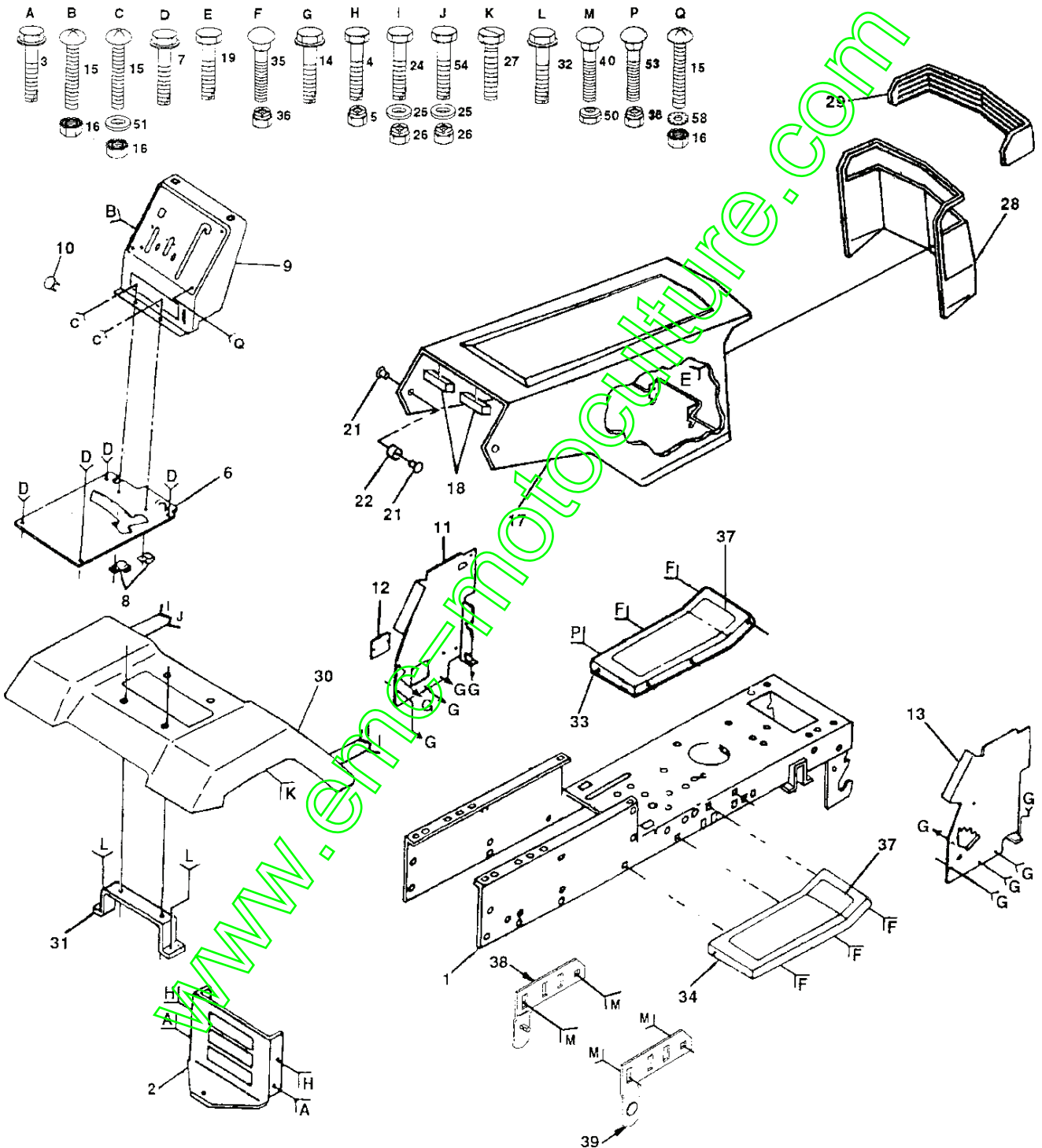
KEY NO.	PART NO.	DESCRIPTION
1	532121265	Battery 12 VOLT 25 AMP
2	874760412	Bolt Hex Hd 1/4-20unc X 3/4
3	819091016	Washer 9/32 X 5/8 X 16 Ga
4	810040400	Washer Lock Hvy Helical 1/4
5	532121264	Caps Battery 20/25/30 AMP
6	873220400	Nut Fin Hex 1/4-20 Unc
7	532109238	Tube Plastic 12"
8	532129965	Case Battery Hvy Mesh W/lid
9	532109596	Clamp Hose Olive
19	810090400	Washer Lock 1/4
20	873350400	Nut Jam Hex 1/4-20 Unc
21	532136850	Harness Asm Light W/4152J
22	532004152	Bulb Light #1155
23	811150400	Washer Lock Internal Tooth 1/4
24	532124780	Cable Battery 6 Ga 11"red
25	532132202	Cable Battery 6 Ga 43"red
26	532108824	Fuse 30 AMP Auto Green
28	532124773	Cable Ground 6 Ga 12"black
29	532121305	Switch Plunger Nc Gray
30	532140399	Switch Ignition 3 pos
31	532140400	Nut Ignition Switch Delta
32	532123620	Cover Sw Key Blk 1 25 Text SLT
33	532140401	Key Ign Molded Generic Delta
34	532110712	Switch Light Blk Blk Red
35	532109236	Bracket Switch Clutch
36	817021008	Screw Tap Hex #10-24unc X 1/2
37	532104445	Switch Intlk Clutch Gry 2 Term
38	532140336	Bracket Switch Interlock
39	532109553	Switch Intlk Clutch Gry 4 Term
40	532140414	Harness Ign Dash Lt Mech
41	871110408	Bolt Hex Hd. Fin 1/4-20 x 1/2
42	532131563	Cover Terminal Red
43	532138406	Solenoid
44	873640400	Nut Keps Hex 1/4-20 Unc
70	532140422	Harness Engine B&S

NOTE: All component dimensions given in U.S. inches.
1 inch = 25.4 mm.

REPAIR PARTS

15 HP 42" TRACTOR - - MODEL NO. BL1542LTDB, PRODUCT NO. 954 00 24-51

CHASSIS AND ENCLOSURES



REPAIR PARTS

15 HP 42" TRACTOR - - MODEL NO. BL1542LTDB, PRODUCT NO. 954 00 24-51
CHASSIS AND ENCLOSURES

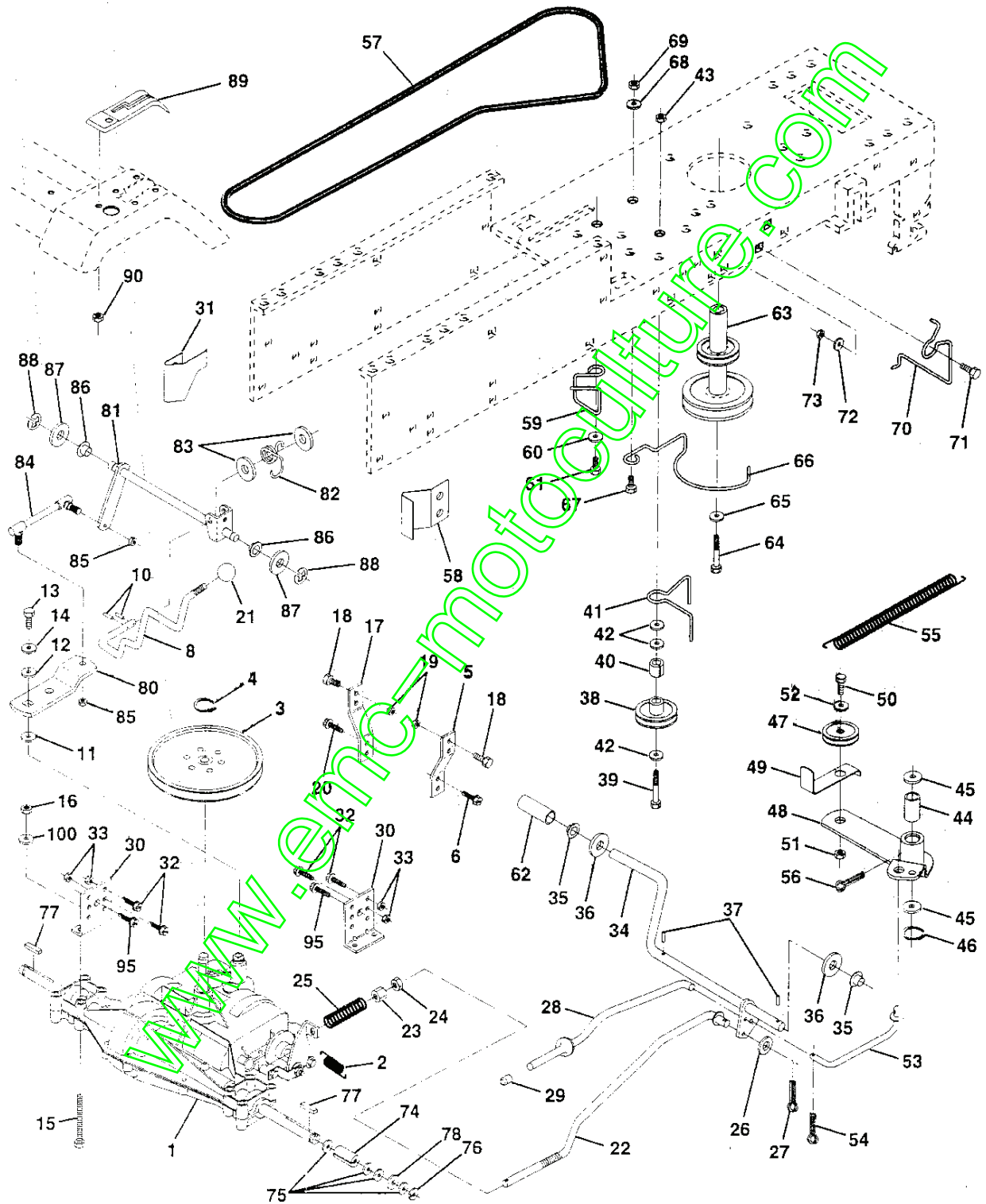
KEY NO.	PART NO.	DESCRIPTION
1	532140341	Chassis Wldmt 11ga
2	532140356	Drawbar Stretch
3	817490612	Screw Thdrol 3/8-16x3/4 Ty-tt
6	532140169	Saddle
7	817490612	Screw Thdrol 3/8-16x3/4 Ty-tt
8	532124996	Clip Line Fuel 13/32 Mtg Hole
9	532141323	Dash Slkscr 1-pc
10	532005479	Plug Button Blk 359 Dia Choke
11	532122795	Panel Dash LH
12	532121794	Cover Access Black Square
13	532126276	Panel Dash RH Weldment
14	817490608	Screw Thdrol 3/8-16x1/2 Ty-tt
15	874180512	Screw Mach TRHD 5/16-18uncx3/4
16	873510500	Nut Keps 5/16-18 Unc
17	532125153	Hood Asm Pnt Weld Yel Slope
18	532126938	Bumper Hood
19	817521310	Bolt Fin Hex 1/4-20unc X 1/2
21	532122933	Rivet Ratchet Nylon
22	532124479	Washer Nylon Blk 28x 75x 19
24	874760612	Bolt Fin Hex 3/8-16unc X 3/4
25	819131312	Washer 13/32 X 13/16 X 12 Ga
26	873680600	Nut Crownlock 3/8-16 Unc
28	532141241	Grille Grey
29	532124029	Lens Headlight Bar Clear
30	532141324	Fender Pnt LT W/shf W/ign
31	532136619	Bracket Fender Repl 109873x
32	817490612	Screw Thdrol 3/8-16x3/4 Ty-tt
33	532124899	Footrest Pnt LH (Husq Gray)
34	532124914	Footrest Pnt RH (Husq Gray)
35	872110606	Bolt Rdhd Sht Sqnk 3/8-16 X3/4
36	873680600	Nut Crownlock 3/8-16 Unc
37	532108256	Pad Footrest Rbr Sq Generic
38	532134774	Bracket Asm Pvt42 LH MWR Rear
39	532134775	Bracket Asm Pvt42 RH MWR Rear
40	872140608	Bolt Rdhd Sqnk 3/8-16unc X 1
50	873800600	Nut Lock Hex W/wsh 3/8-16unc
51	819131216	Washer 13/32 X 3/4 X 16 Ga
53	872140608	Bolt Rdhd Sqnk 3/8-16unc X 1
54	874760614	Bolt Fin Hex 3/8-16unc X 7/8
58	811050600	Washer Lock ext Tooth 3/8

NOTE: All component dimensions given in U.S. inches.
1 inch = 25.4 mm.

REPAIR PARTS

15 HP 42" TRACTOR -- MODEL NO. BL1542LTDB, PRODUCT NO. 954 00 24-51

DRIVE



REPAIR PARTS

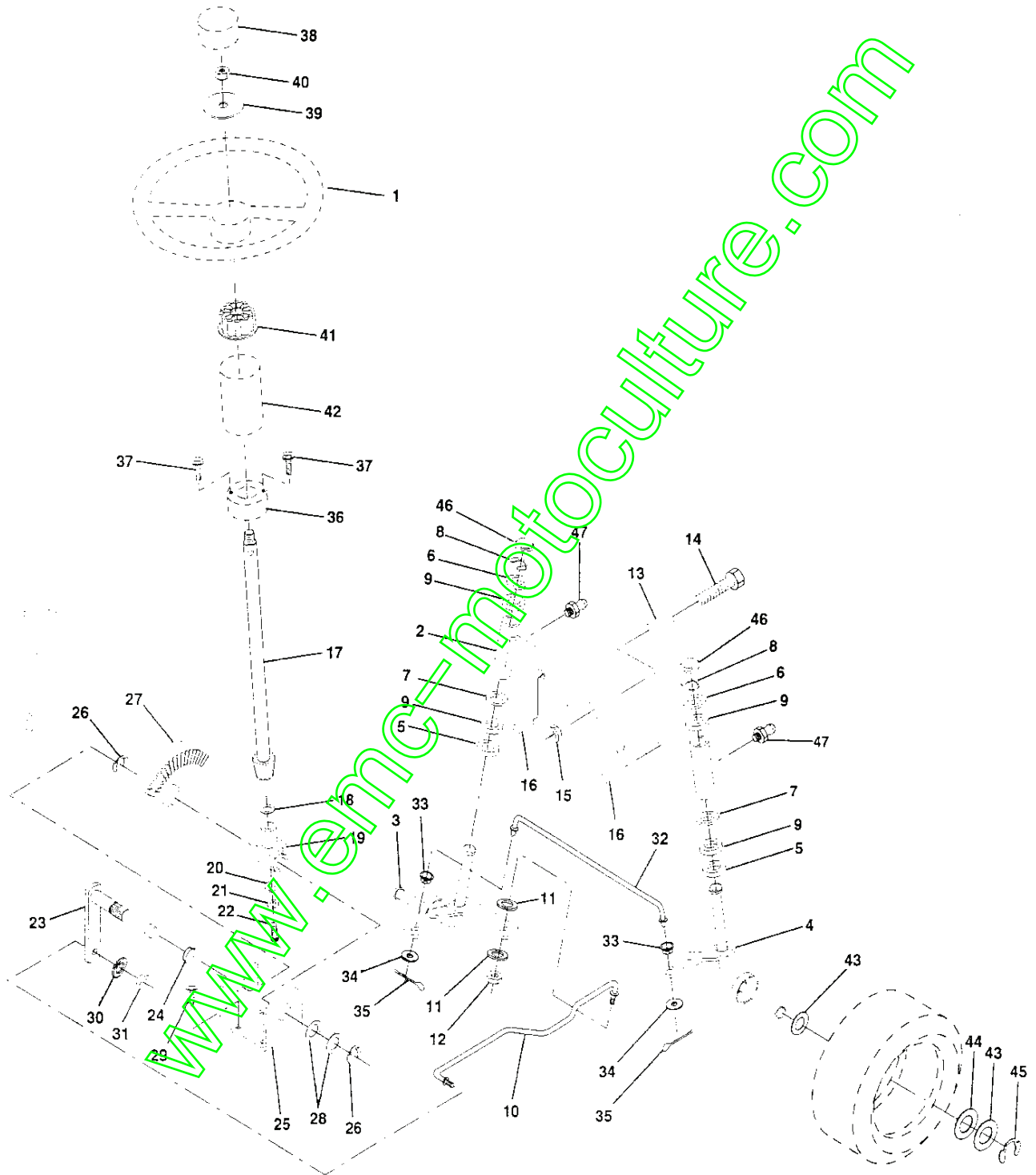
**15 HP 42" TRACTOR - - MODEL NO. BL1542LTDB, PRODUCT NO. 954 00 24-51
DRIVE**

KEY NO.	PART NO.	DESCRIPTION	KEY NO.	PART NO.	DESCRIPTION
1	532137363	Transaxle 6sp Dana 4360-48	47	532127783	Pulley Idler V Groove Plastic
2	532110422	Spring Return Brake T/a Zinc	48	532123789	Belt/Pank Asm Clutch
3	532123666	Pulley Transaxle 18" tires	49	532123205	Retainer Belt Style Spring
4	812000028	Ring Retainer # 5100-62	50	874760624	Bolt Hex Hd 3/8-16unc X 1-1/2
5	532121520	Strap Torque 30 Degrees	51	873680600	Nut Crownlock 3/8-16 Unc
6	817490512	Screw Thdrol 5/16-18 X 3/4 TYT	52	819131316	Washer 13/32 X 13/16 X 16 Ga
8	532141003	Rod Shifter	53	532105716	Link Clutch 7 66
10	876020416	Pin Cotter 1/8 X 1 Cad	54	876020412	Pin Cotter 1/8 X 3/4 Cad
11	532105701	Washer Plate Shf 388 Sq Hole	55	532105709	Spring Return Clutch 6 75
12	819151216	Washer 15/32 X 3/4 X 16 Ga	56	876020412	Pin Cotter 1/8 X 3/4 Cad
13	871040412	Bolt Fin Hex 1/4-28unfx3/4 Gr8	57	532130801	V-Belt Ground Drive 95 25 38/42"
14	810040400	Washer Lock Hvy Helical 1/4	58	532127274	Keeper Belt RH LT Pnt/zinc 16g
15	874780544	Bolt Fin Hex 5/16-18uncx 2 3/4	59	532140312	Keeper Belt Chassis Span Ctr
16	873680500	Nut Crown Lock 5/16-18	60	819131312	Washer 13/32 X 13/16 X 12 Ga
17	532121520	Strap Torque LT	61	817490612	Screw Thdrol 3/8-16x3/4 Ty-tt
18	874780616	Bolt Fin Hex 3/8-16unc x1 Gr. 5	62	532124872	Cover Pedal Blk Round
19	873680600	Nut Crownlock 3/8-16 Unc	63	532140186	Engine Pulley LT/YT
20	817490512	Screw Thdrol 5/16-18 X 3/4 TYT	64	871170764	Bolt Hex 7/16-20x4 Gr 5
21	532106933	Knob Rd 1/2-13 Plstc Thds Blk	65	810040700	Washer Lock Hvy Hlcl Spr 7/16
22	532130804	Rod Brake Blk Zinc 26 840	66	532129921	Keeper Belt Engine LH LT
23	873800600	Nut Lock Hex W/wsh 3/8-16unc	67	874760616	Bolt Fin Hex 3/8-16unc X 1
24	873350600	Nut Hex Jam 3/8-16 Unc	68	819131312	Washer 13/32 X 13/16 X 12 Ga
25	532106888	Spring Rod Brake 2 00 Zinc	69	873680600	Nut Crownlock 3/8-16 Unc
26	819131316	Washer 13/32 X 13/16 X 16 Ga	70	532134683	Guide Belt Mower Drive RH
27	876020412	Pin Cotter 1/8 X 3/4 Cad	71	874760616	Bolt Fin Hex 3/8-16unc X 1
28	532140448	Rod Brake Parking LT	72	819132012	Washer 13/32 X 1-1/4 X 12 Ga
29	532071673	Cap Brake Parking Black	73	873680600	Nut Crownlock 3/8-16 Unc
30	532130807	Bracket Mtg Transaxle	74	532109502	Spacer Split
31	532127275	Keeper Belt LH LT 14 Ga	75	532121749	Washer 25/32 X 1 1/4 X 16 Ga
32	874760512	Bolt Hex Hd 5/16-18unc X 3/4	76	812000001	E-ring #5133-75
33	873800500	Nut Lock Hx w/lns 5/16-18	77	532123583	Key Square 2 0 X 1845/ 1865
34	532122424	Shaft Asm Pedal Foot 1 930	78	532121748	Washer 25/32 X 1-5/8 X 16 Ga
35	532120183	Bearing Nylon Blk 629 Id	80	532131488	Arm Shift Transaxle
36	819211616	Washer 21/32 X 1 X 16 Ga	81	532136932	Shaft Asm Cross 18"t 42"deck
37	532124963	Pin Roll 3/16 X 1"	82	532123782	Spring Torsion T/a
38	532123674	Pulley Idler Flat	83	819171216	Washer 17/32 X 3/4 X 16 Ga
39	874760644	Bolt Fin Hex 3/8-16unc X 2-3/4	84	532132182	Rod Shift Adj Tie
40	532124965	Spacer Split 395 X 59 Bzp	85	873530400	Nut Nylock 1/4 - 28
41	532109070	Keeper Belt Retainer	86	532071208	Bushing Rod Strg 629/632 Id
42	819131312	Washer 13/32 X 13/16 X 12 Ga	87	819212016	Washer 21/32 X 1-1/4 X 16 Ga
43	873800600	Nut Lock Hx w/wsh 3/8-16	88	812000008	Ring Klip #5304-62
44	532105706	Bearing Nyl 503 X 628 X 1 25	89	532139964	Console Shift 6sp LT 94
45	532110812	Washer Hardened	90	532124346	Nut Self-thd Wsh-hd 1/4 Zinc
46	812000039	Ring Klip #t5304-50	95	817490612	Screw Thdrol 3/8-16x3/4 Ty-tt
			100	819111216	Washer 11/32 X 3/4 X 16 Ga.

NOTE: All component dimensions given in U.S. inches. 1 inch = 25.4 mm.

REPAIR PARTS

15 HP 42" TRACTOR - - MODEL NO. BL1542LTDB, PRODUCT NO. 954 00 24-51
STEERING ASSEMBLY



REPAIR PARTS

15 HP 42" TRACTOR - - MODEL NO. BL1542LTDB, PRODUCT NO. 954 00 24-51

STEERING ASSEMBLY

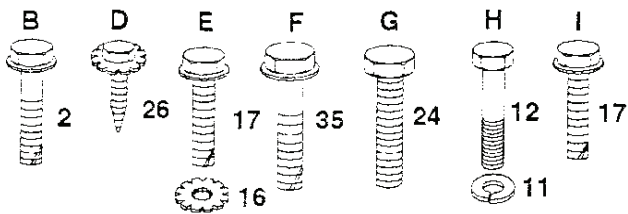
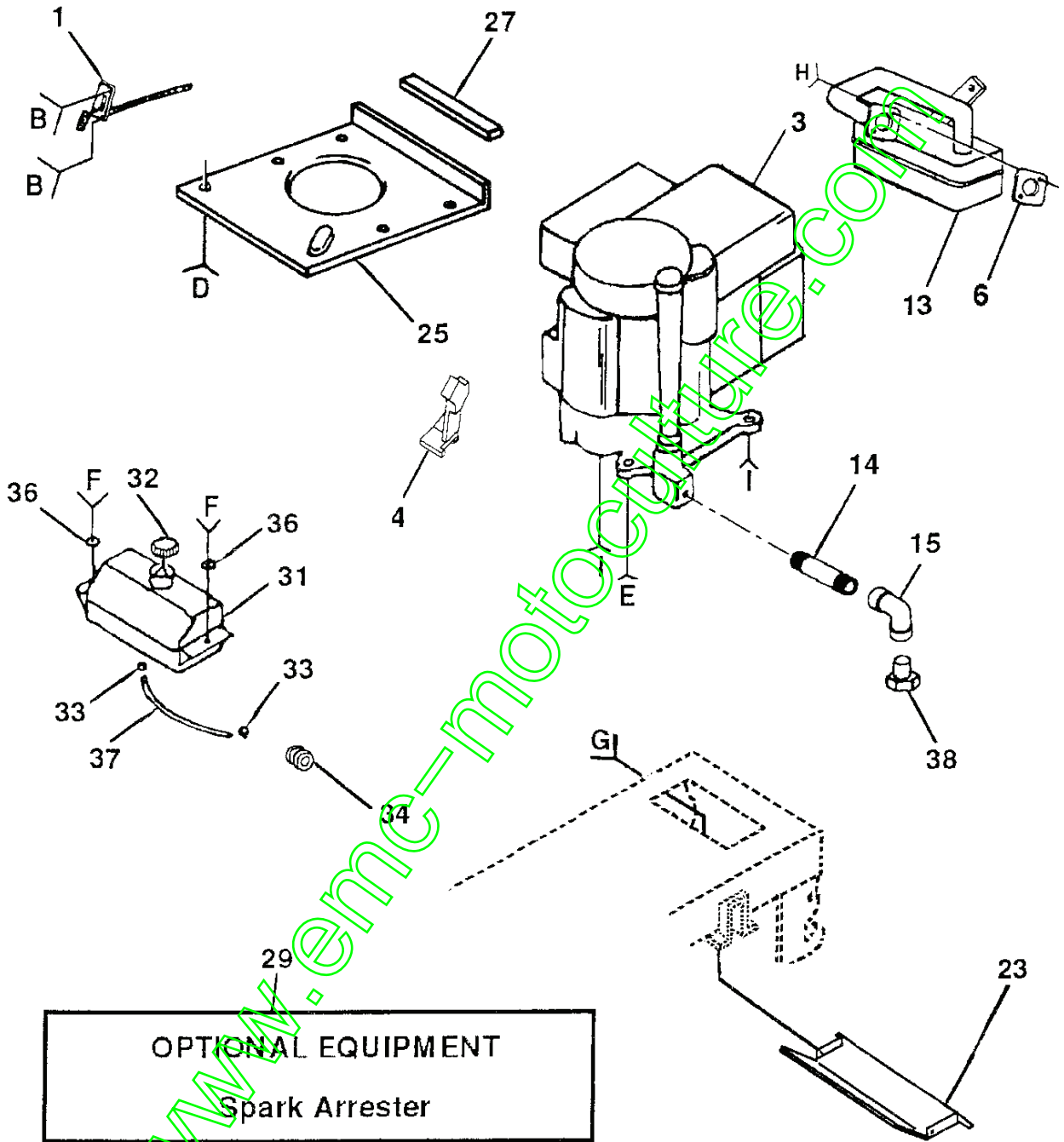
KEY NO.	PART NO.	DESCRIPTION
1	532133741	Wheel Steering Ayp/kelch Blk
2	532142033	Axle Asm Fr LT W/gzks 38/42
3	532135227	Spindle Asm LH
4	532135228	Spindle Asm RH
5	532124931	Bearing Race Thrust Harden
6	532121748	Washer 25/32 X 1-5/8 X 16 Ga
7	819272016	Washer 27/32 X 1-1/4 X 16 Ga
8	812000029	Ring Klip #t5304-75
9	532124937	Bearing Col Strg Blk
10	532130468	Link Drag Sol Ball Jt 20 064
11	810040600	Washer Lock Hvy Hlcl Spr 3/8
12	873610600	Nut Fin Hex 3/8-24 Unf
13	532110438	Spacer Bearing Axle Front
14	874011056	Bolt Hex 5/8-11 Unc X 3-1/2
15	873901000	Nut Lock Flange 5/8-11 Unc
16	532132624	Pin Axle 5/8 X 1 55 1 54 Lg
17	532132614	Shaft Asm Strg 5/8 X 15 19 LT
18	532057079	Washer Thrust 515x 750x 033
19	532124035	Support Shaft
20	532126684	Washer Shim 1/4 X 5/8 X 062
21	810040400	Washer Lock Hvy Helical 1/4
22	871070410	Screw Hex Socket 1/4-20 X 5/8
23	532127501	Shaft Asm Pittman
24	532109816	Nylon Snap In
25	532124036	Bracket Steering
26	812000029	Ring Klip #t5304-75
27	532136874	Gear Sector 22 Teeth
28	532124937	Bearing Race Thrust Harden
29	817490612	Screw Thdrol 3/8-16x3/4 Ty-tt
30	810040600	Washer Lock Hvy Hlcl Spr 3/8
31	873610600	Nut Fin Hex 3/8-24 Unf
32	532130465	Rod Tie Wire Form 19 75 Mech
33	532126847	Bushing Link Drag Blk LR
34	819131416	Washer 13/32 X 7/8 X 16 Ga
35	876020412	Pin Cotter 1/8 X 3/4 Cad
36	532132196	Bushing Strg 5/8 Id Dash
37	817431008	Screw Slftp #10-16 X 1/2 Ty-b
38	532133742	Cap Wheel Steer Ayp/kelch Blk
39	819133808	Washer 13/32 X 2-3/8 X 8 Ga
40	532124701	Nut Lock Center 3/8-24unf
41	532104820	Adaptor Wheel Strg 640/ 635id
42	532124418	Boot Shaft Steering Blk
43	532121749	Washer 25/32 X 1 1/4 X 16 Ga
44	532121748	Washer 25/32 X 1-5/8 X 16 Ga
45	812000029	Ring Klip #t5304-75
46	532121232	Cap Spindle Fr Top Blk
47	532124836	Fitting Grease

NOTE: All component dimensions given in U.S. inches.
1 inch = 25.4 mm.

REPAIR PARTS

15 HP 42" TRACTOR -- MODEL NO. BL1542LTDB, PRODUCT NO. 954 00 24-51

ENGINE



REPAIR PARTS

15 HP 42" TRACTOR - - MODEL_NO. BL1542LTDB, PRODUCT NO. 954 00 24-51
ENGINE

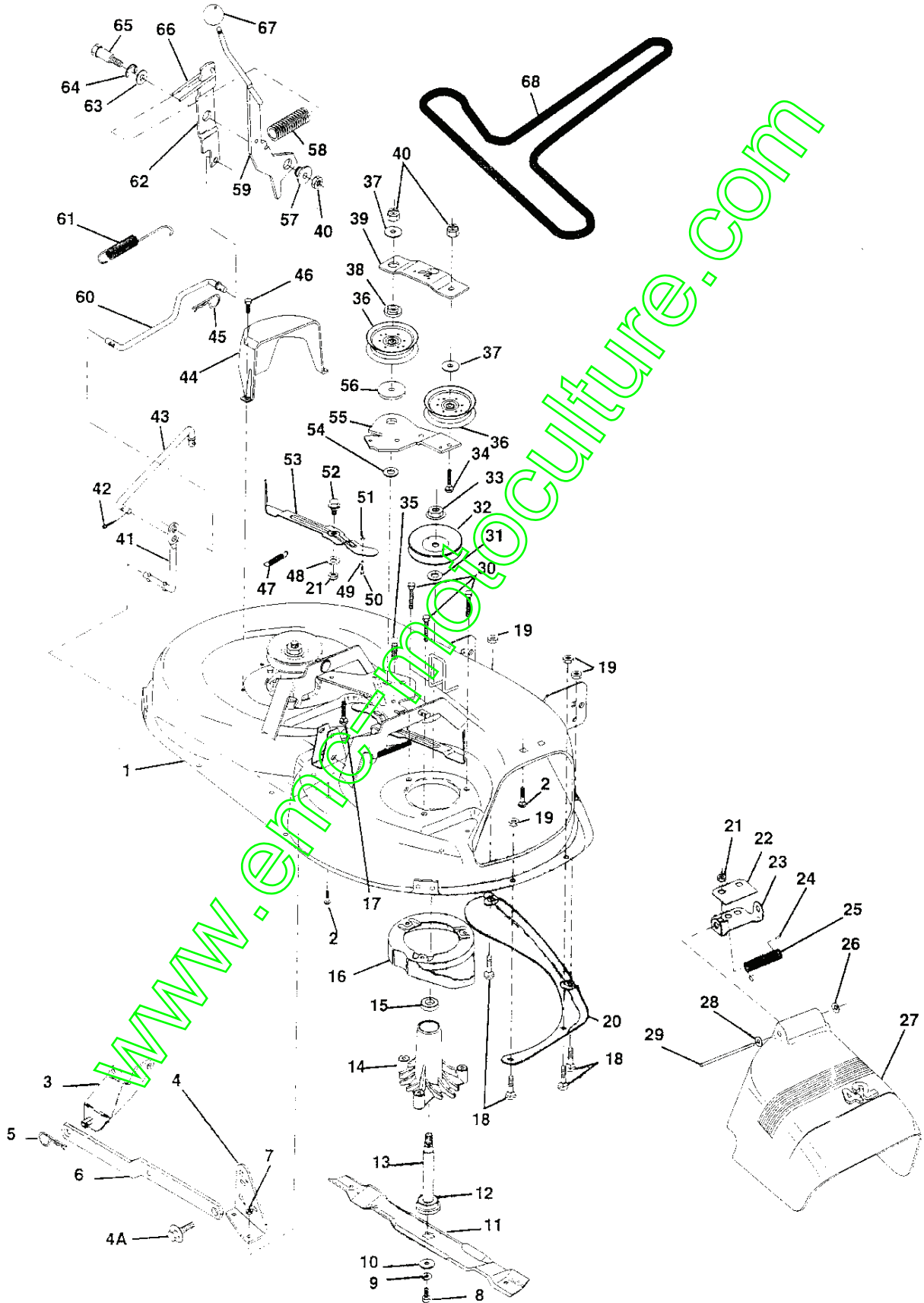
KEY NO.	PART NO.	DESCRIPTION
1	532132623	Control Th/ch RH Blk Tee Eec
2	817720410	Screw Hex Thd Cut 1/4-20x5/8 T
3	-----	Engine B&S 15HP Diamond Dual Model No. 28N707
4	532127951	Stop, Throttle
6	532125593	Gasket Eng 1 313 Id Tin Plated
11	810040500	Washer Lock Hvy Hld Spr 5/16
12	871070512	Screw Hexhd Cap 5/16-18 X 3/4
13	532137352	Muffler LT B&S 14HP Ic/ohv
14	813280324	Nipple Pipe 3/8 Npt X 3"
15	813200300	Elbow Std 90 Degree 3/8-18 Npt
16	811050600	Washer Lock Ext Tooth 3/8
17	817490620	Screw Thdrol 3/8, 16x1-1/4 TYTT
23	532128953	Shield Heat Browning LT/YT
24	817021008	Screw Tap Hex #10-24unc X 1/2
25	532126842	Shield Heat Hood LT
26	817030808	Screw Spiderloc Hexhd#8x1/2 Ab
27	532105037	Strip Foam 18"
29	532137180	Kit Spark Arrestor (Flat Scrn)
31	532109202	Tank Fuel Front 1 25
32	532140527	Cap Asm Fuel
33	532123487	Clamp Hose Black
34	532124028	Bushing Snap Nyl Blk Fuel Line
35	817490412	Screw Hexwsh Thdrol 1/4-20x3/4
36	819091416	Washer 9/32 X 7/8 X 16 Ga
37	532137040	Line Fuel 20"
38	-----	Plug Oil Drain (Order From Engine Manufacturer)

NOTE: All component dimensions given in U.S. inches
1 inch = 25.4 mm

REPAIR PARTS

15 HP 42" TRACTOR - - MODEL NO. BL1542LTDB, PRODUCT NO. 954 00 24-51

42" MOWER DECK



REPAIR PARTS

15 HP 42" TRACTOR - - MODEL NO. BL1542LTDB, PRODUCT NO. 954 00 24-51
42" MOWER DECK

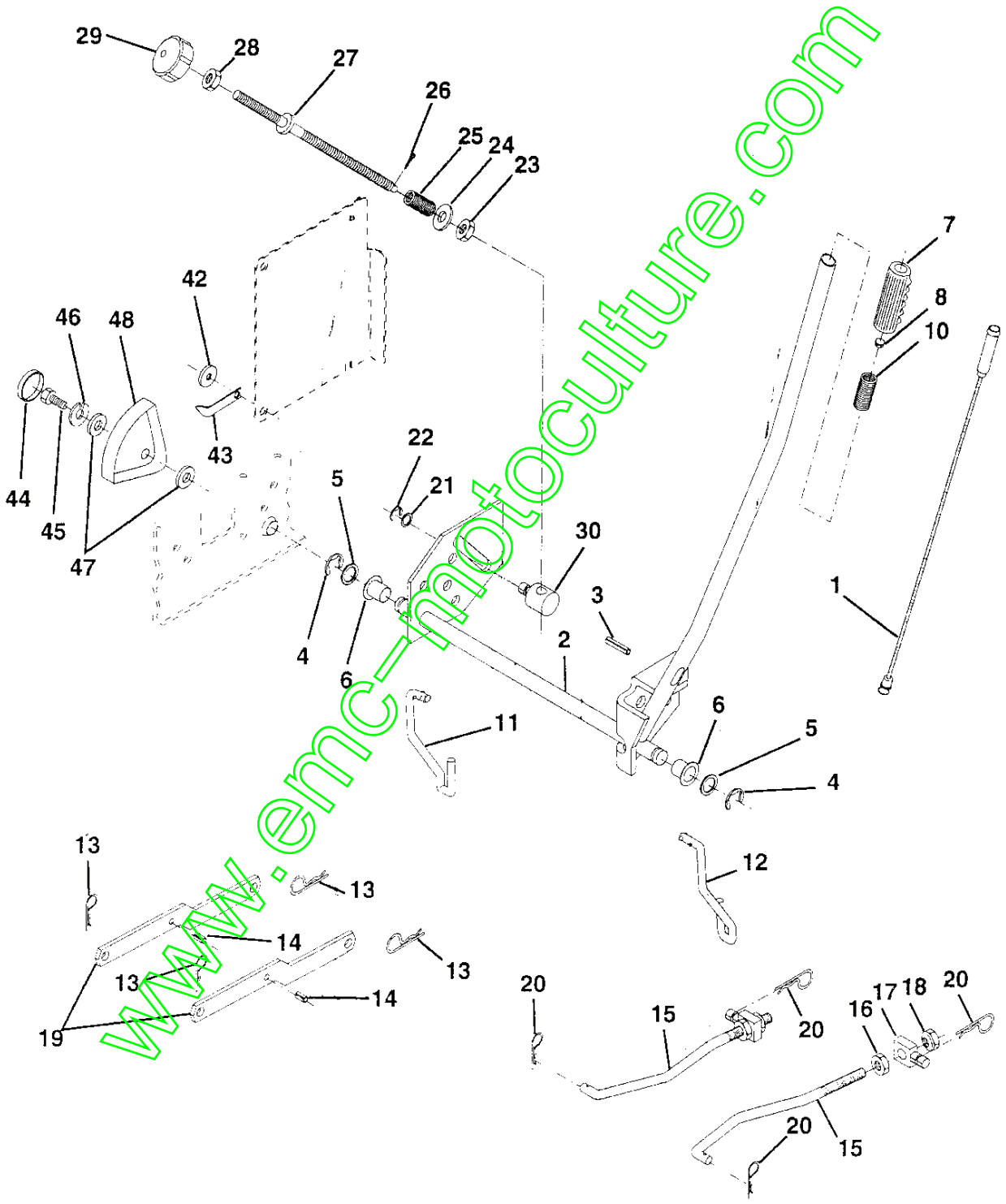
KEY NO.	PART NO.	DESCRIPTION	KEY NO.	PART NO.	DESCRIPTION
1	532140081	Deck Asm MWR 42"weldment	37	819131612	Washer 13/32 X 1 X 12 Ga
2	872140506	Bolt Rdhd Sqnk 5/16-18unc X3/4	38	532133502	Spacer Arm Idler Upper Hdn 42"
3	532138017	Bracket Asm Fr Sway Bar 38/42	39	532133503	Stiffener Arm Idler Upper 42"
4	532138440	Bracket Asm Deck 42"sway Bar	40	873680600	Nut Crownlock 3/8-16 Unc
4a	532132827	Bolt Shoulder	41	532133551	Rod Pivot W/nibs
5	532124670	Retainer Spring	42	876020312	Pin Cotter 3/32 X 3/4 Cad
6	532130832	Arm Suspension Rear	43	532133504	Rod Clutch Secondary W/nibs
7	873800500	Locknut-hex W/ins 5/16-18unc P	44	532140083	Guard Mandrel LH Black
8	532850857	Bolt 3/8 - 24 X 1.25 Gr 8	45	532124788	Spring Retainer 1" Zinc/cad
9	810030600	Washer Lock Hvy 3/8	46	532137729	Screw Hex Thd Cut 1/4-20x5/8 T
10	532140296	Washer Hard Blade Mower Vented	47	532131335	Spring Extension
11	532134149	Blade Mower Mulching 42"	48	532133944	Washer Hardened Smaller
12	532129895	Bearing Ball #6024 (Mandrel)	49	532133940	Roller Asm Cam Follower 42"dec
13	532137645	Shaft Asm W/lower Bearing	50	532131340	Bolt Shldr 10-24 Zinc Gr 5 42"
14	532128774	Housing Mandrel Vented	51	532069180	Nut Lock #10-24 Unc
15	532110485	Bearing Ball Mandrel	52	532139888	Bolt Shoulder 5/16-18
16	532136929	Stripper Mower Vented	53	532131845	Arm Asm Pad Brake
17	872110618	Bolt Rdhd Sqnk 3/8-16 X 2-1/4	54	532133943	Washer Hardened
18	872140505	Bolt Rdhd Sqnk 5/16-18 X 5/8	55	532133844	Arm Idler 42"mower LT/YT
19	873800500	Locknut-hex W/ins 5/16-18unc P	56	532122052	Spacer Retainer Pm Mower
20	532136888	Baffle Vortex 42	57	532127498	Bushing 747 Od X 794 Lg Brass
21	873680500	Nut Crown Lock 5/16-18	58	532128759	Spring Clutch Mower 2 750 Zinc
22	532134753	Stiffener Bracket 42"deck	59	532140334	Arm Asm Clutch Primary
23	532131267	Bracket Deflector Mower 42"	60	532133550	Rod Clutch Primary 38/42
24	532105304	Cap Sleeve 80x 112 Blk Mower	61	532131870	Spring Return
25	532123713	Spring Torsion Deflector 2 52	62	532127847	Arm Clutch Secondary
26	532110452	Nut Push Phos & Oil	63	532121748	Washer 25/32 X 1-5/8 X 16 Ga
27	532130968	Shield Deflector Mower 42" Blk	64	812000029	Ring Klip #t5304-75
28	819111016	Washer 11/32 X 5/8 X 16 Ga	65	532128903	Bolt Shoulder 3/8-16 Unc 1 44
29	532131491	Rod Hinge 42"6 75 Wlg	66	532127845	Keeper Spring 4 000
30	532138776	Screw Thdrol Hex Head Zinc Mwr	67	532106932	Knob Rd 3/8-16 Plstc Thds Blk
31	532129963	Washer Spacer Mower Vented	68	532130969	V-Belt Mower 42" 92 40
32	532129861	Pulley Mandrel 42"	94	873350600	Nut Hex Jam 3/8 - 16
33	532137266	Nut 9/16 Toplock Ring Oil Dip	95	532133205	Trunnion Adj 3/8 - 16 x 1.30
34	872110614	Bolt Rdhd 3/8-16uncx1-3/4 Gr5	--	532138358	Deck Serv 42"mch S Bar Mult-Lang
35	532133835	Fastner Christmas Tree	--	532130794	Mandrel Asm Service (Includes Key Nos. 8-10, 12-15, 31 and 33)
36	532131494	Pulley Idler Flat 3 060			

NOTE: All component dimensions given in U.S. inches
1 inch = 25.4 mm.

REPAIR PARTS

15 HP 42" TRACTOR -- MODEL NO. BL1542LTDB, PRODUCT NO. 954 00 24-51

42" MOWER LIFT



REPAIR PARTS

15 HP 42" TRACTOR - - MODEL NO. BL1542LTDB, PRODUCT NO. 954 00 24-51
42" MOWER LIFT

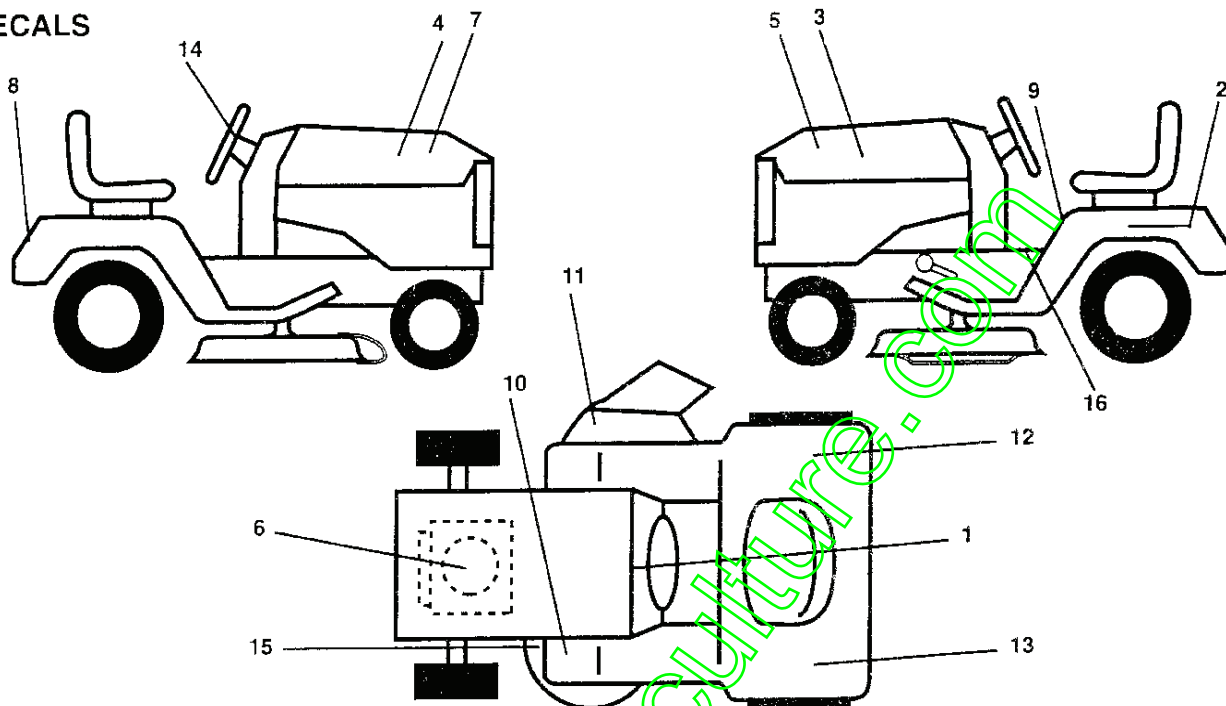
KEY NO.	PART NO.	DESCRIPTION
1	532136973	Wire Asm Inner W/plunger 17 32
2	532122507	Shaft Asm Lift 9 680
3	532105767	Pin Groove 1 500 Zinc
4	812000002	E Ring #5133-62
5	819211621	Washer PLTD 21/32 X 17 X 21ga
6	532120183	Bearing Nylon Blk 629 Id
7	532109413	Grip Handle Bicycle Matte Blk
8	532124526	Button Plunger Black
10	532122512	Spring Cprsn 3-750 Oiled
11	532134619	Link Lift LH Fixed Length
12	532135388	Link Lift RH Fixed Length
13	532124670	Retainer Spring
14	532135563	Pin Roll SLT 5/16 X 1 25 Blk O
15	532127218	Link Front
16	873350800	Nut Jam Hex 1/2-13 Unc
17	532130171	Trunnion Blk Zinc
18	873800800	Nut Lock W/wsh 1/2-13unc
19	532130832	Arm Suspension Rear
20	532124660	Spring Retainer
21	819151216	Washer 15/32 X 3/4 X 16 Ga
22	812000037	Ring Klip #15304-37
23	532110807	Nut Special
24	819131016	Washer 13/32 X 5/8 X 16 Ga
25	532124574	Spring 2-1/8"
26	876020308	Pin Cotter 3/32 X 1/2
27	532126971	Rod Adj Lift Zinc 7 49 Wrk Lg
28	873350600	Nut Hex Jam 3/8-16 Unc
29	532138057	Knob Inf 3/8-16 Unc Blk W/sym
30	532110810	Trunnion Dp Stop Dbl Thds PLT
42	532120529	Washer Nylon .44 X .75 X .032
43	532138346	Pointer Height Indicator
44	532123935	Plug Hole Blk 1.485/1.515 Dia
45	874780516	Bolt Fin Hex 5/16-18 Unc X 1
46	810040500	Washer Lock Hvy Hlcl Spr 5/16
47	819112410	Washer 11/32 X 1-1/2 X 10 Ga
48	532123934	Scale Ind Height Blk

NOTE: All component dimensions given in U.S. inches
1 inch = 25.4 mm

REPAIR PARTS

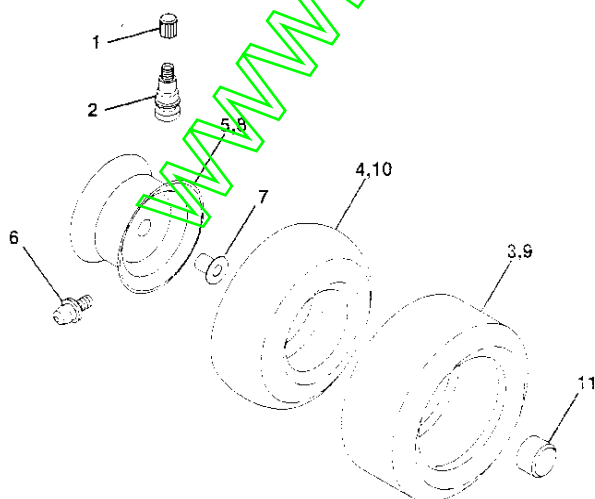
15 HP 42" TRACTOR - - MODEL NO. BL1542LTDB, PRODUCT NO. 954 00 24-51

DECALS



KEY NO.	PART NO.	DESCRIPTION	KEY NO.	PART NO.	DESCRIPTION
1	532138956	Decal Instruction Dash Eng/fr	14	532125835	Decal Strg Wheel Cap Berd/lois
2	532121549	Decal Caution Battery Fr/ger	15	532136832	Decal V-Belt Schematic
3	532125934	Decal Hood LH Bernard	16	532140837	Decal Brake Parking Saddle
4	532125935	Decal Hood RH Bernard	--	532142481	Manual Instr Asm
5	532141892	Decal Side Panel LH Bernard LT	--	532138311	Decal Handle Lft Height Adjust
6	532141173	Decal Engine B&S	--	532137372	Manual Operators
7	532141891	Decal Side Panel RH Bernard LT	--	532142481	Manual, Asm Instruction
8	532125819	Decal Fender Bernard	--	532131265	Decal, Light Box, Grille
9	532133795	Decal Caution Fender Eng/fr	Available accessories not included with tractor:		
10	532101892	Decal Clutch/brake Eng/fr	--	CE42	42" Bagger
11	532137259	Decal Warning MULT-LANGUAGE	--	LBD48	42" Snow Blade
12	532125690	Decal 100 DbA	--	LSB42	40" Snow Thrower
13	532141893	Decal Conformance 94 BL1542LTDB	--	LC05	33lb. Wheel Wts. (Pair)
			--	LA018	Tire Chains (18 x 9.5 x 8)

WHEELS & TIRES



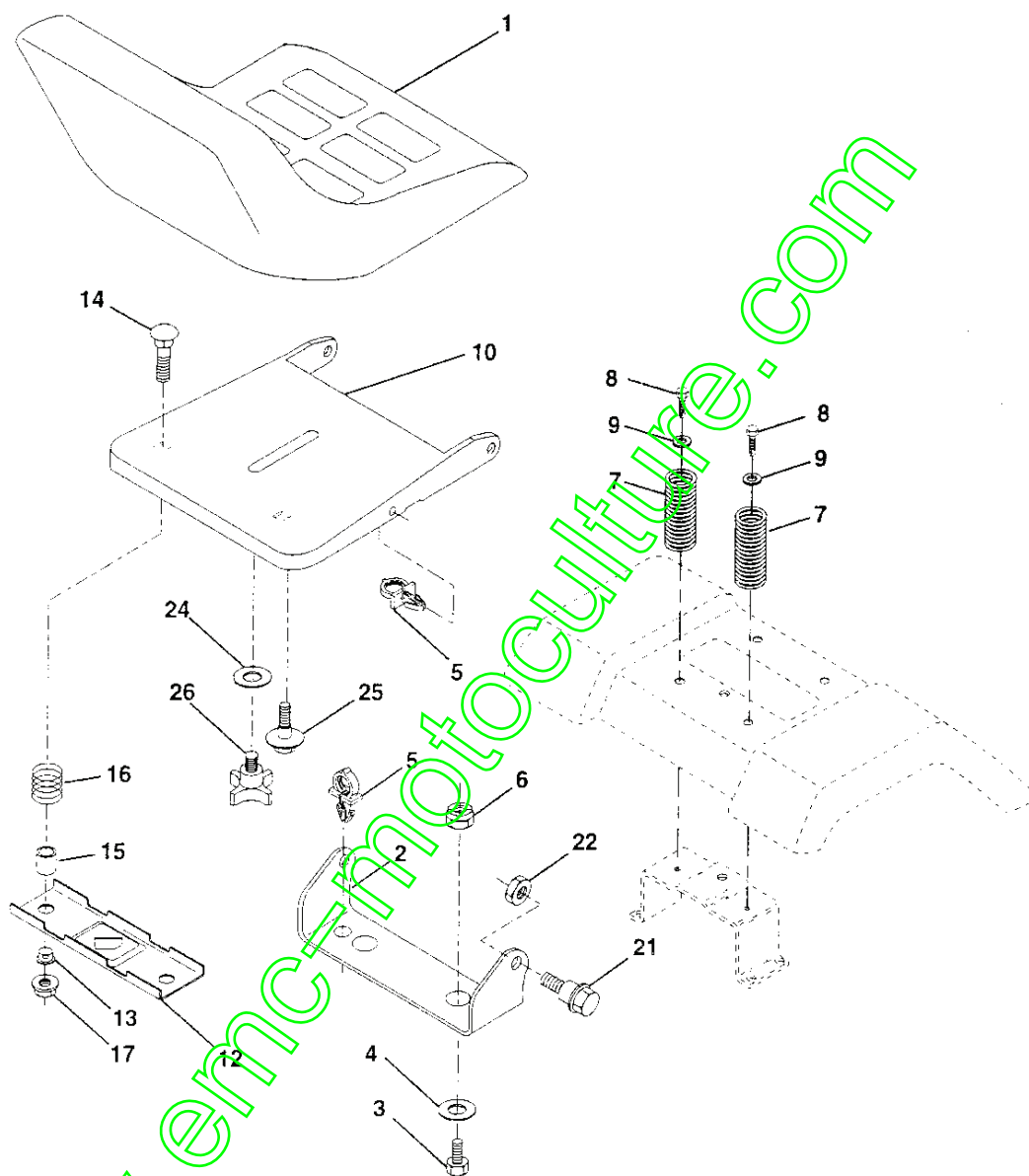
KEY NO.	PART NO.	DESCRIPTION
1	532059192	Cap Valve Tire
2	532065139	Stem Valve
3	532106222	Tire F Ts 15 X 6 C - 6 Service
4	532059904	Tube Front (Service Item Only)
5	532125121	Rim Asm 6" front Yellow Service
6	532124957	Fitting Grease (Front Wheel Only)
7	532124959	Bearing Flange (Front Wheel Only)
8	532125122	Rim Asm 8" rear Yellow Service
9	532106268	Tire R Ts 18x9 5-3 C Service
10	532124926	Tube Rear (Service Item Only)
11	532104757	Cap Axle Bik 1 50 X 1 00

NOTE: All component dimensions given in U.S. inches
1 inch = 25.4 mm

REPAIR PARTS

15 HP 42" TRACTOR - - MODEL NO. BL1542LTDB, PRODUCT NO. 954 00 24-51

SEAT ASSEMBLY



KEY NO.	PART NO.	DESCRIPTION	KEY NO.	PART NO.	DESCRIPTION
1	532127427	Seat V350 Blk/blk Std	13	532121248	Bushing Snap Blk Nyi 50 Id
2	532140551	Bracket Pivot Seat	14	872050411	Bolt Rdhd Sht Nk 1/4-20x1-3/8
3	874760612	Bolt Fin Hex 3/8-16unc X 3/4	15	532134300	Spacer Split 28x 96 Yel Zinc
4	819131610	Washer 13/32 X 1 X 10 Ga	16	532121250	Spring Cprsn 1 27 Blk Pnt
5	532140407	Clip Push-In .375 x .250	17	532123976	Nut Lock 1/4 Lge Flg Gr 5 Zinc
6	873800600	Nut Lock Hex W/Washer 3/8-16	21	532139888	Bolt Shoulder 5/16-18
7	532124181	Spring Seat Cprsn 2 250 Blk Zi	22	873680500	Nut Crown Lock 5/16-18
8	817490616	Screw Thdrol 3/8-16 X 1 Ty-tt	24	819171912	Washer 17/32 X 1-3/16 X 12 Ga
9	819131614	Washer 13/32 X 1 X 14 Ga	25	532127018	Bolt Shoulder 5/16-18 X 62
10	532140552	Pan Seat Embossed Quick Connec.	26	532120068	Knob Seat 1/2-13unc Blk
12	532121246	Bracket Mounting Switch			

NOTE: All component dimensions given in U.S. inches.

1 inch = 25.4 mm.

REPAIR PARTS

15 HP 42" TRACTOR - - MODEL NO. BL1542LTDB, PRODUCT NO. 954 00 24-51
DANA TRANSAXLE - MODEL NUMBER 4360-48

