

CATALOGUE PIECES DE RECHANGE

BERNARD Loisirs

TRACTEUR DE PELOUSE

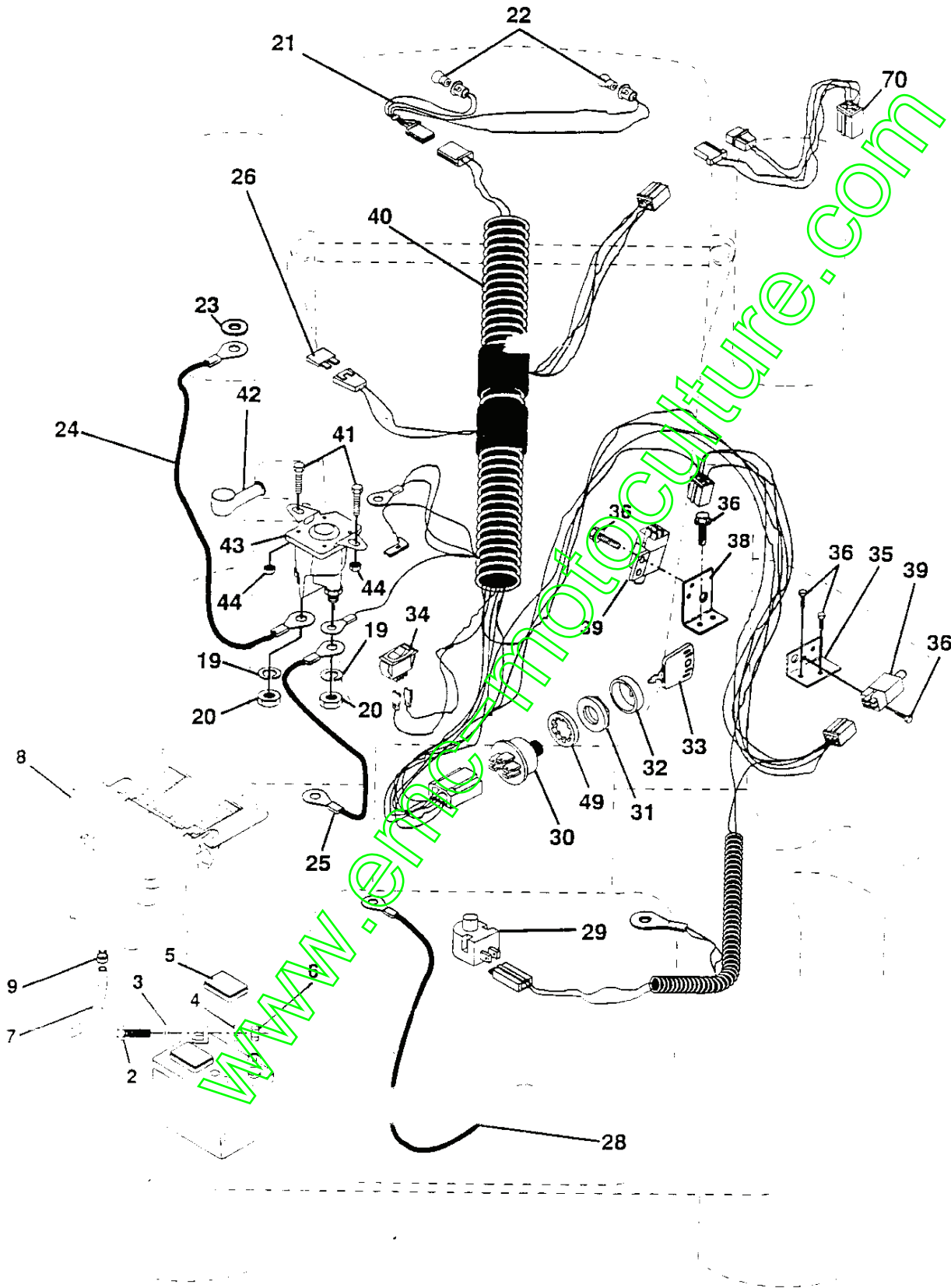
MODELE : BL 1542 LTD

N° DE PRODUIT : 954 00 24-81

REPAIR PARTS

TRACTOR -- MODEL NO. BL1542LTDC, PRODUCT NO. 954 00 24-81

ELECTRICAL



REPAIR PARTS

TRACTOR - - MODEL NO. BL1542LTDC, PRODUCT NO. 954 00 24-81

ELECTRICAL

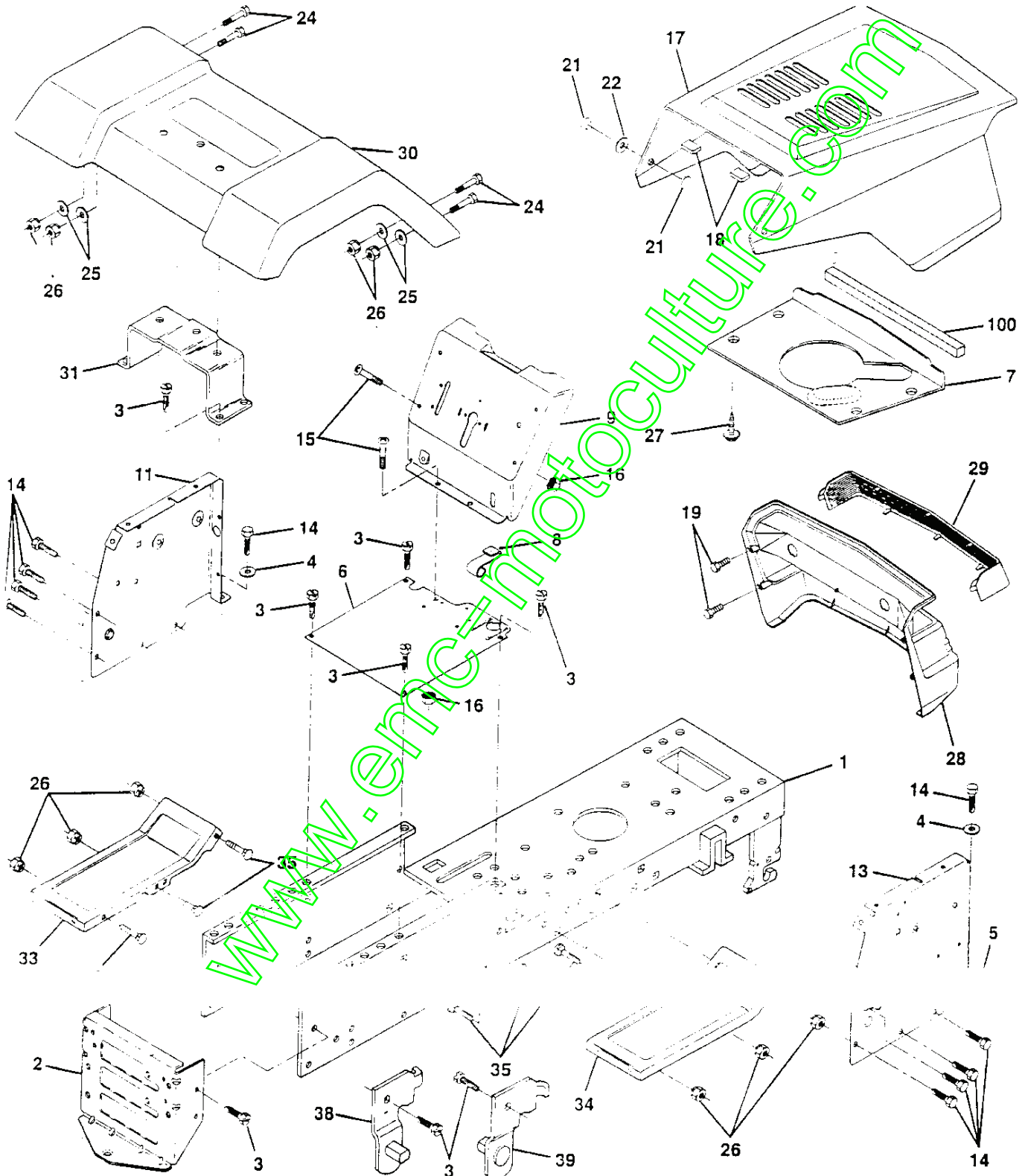
KEY NO.	PART NO.	DESCRIPTION
1	532121265	Battery 12 Volt 25 AMP
2	874760412	Bolt Hex Hd 1/4-20unc X 3/4
3	819091016	Washer 9/32 X 5/8 X 16 Ga.
4	810040400	Washer Lock Hvy Helical 1/4
5	532121264	Caps Battery 20/25/30 AMP
6	873220400	Nut Fin Hex 1/4-20 Unc
7	532109238	Tube Plastic 12"
8	532129965	Case Battery Hng Mech W/lid
9	532109596	Clamp Hose Olive
19	81009()	Washer Lock 1/4
20	873350400	Nut Jam Hex 1/4-20 Unc
21	532136850	Harness Asm Light W/4152
22	532004152	Bulb Light #1156
23	811150400	Washer Lock Internal Tooth 1/4
24	532124780	Cable Battery 6 Ga 11" red
25	532132202	Cable Battery 6 Ga 43" red
26	532108824	Fuse 30 AMP Auto Green
28	532124773	Cable Ground 6 Ga 12" black
29	532121305	Switch Plunger No Gray
30	532144921	Switch Ign
31	532140400	Nut Ignition
32	532141226	Cover Ignition
33	532140401	Key
34	532110712	Switch Light Blk Blk Red
35	532108236	Bracket Switch Clutch
36	817021008	Screw Tap Hex #10-24unc X 1/2
38	532140336	Bracket Switch, Interlock
39	532109553	Switch Intlk Clutch Red 4 Term
40	532140414	Harness ign B&S Fender HI
41	871110408	Bolt Blk Fin Hex 1/4 - 20 x 1/2
42	532131563	Cover Terminal Red
43	532138406	Solenoid
44	873640400	Nut Keps Hex 1/4-20 Unc
49	811151000	Washer Lock Internal Tooth 5/8
70	532140422	Harness, Eng.

NOTE: All component dimensions given in U.S. inches.
1 inch = 25.4 mm.

PAIR PARTS

TRACTOR -- MODEL NO. BL1542LTDC, PRODUCT NO. 954 00 24-81

HASSIS AND ENCLOSURES



EXHAUST PARTS

TRACTOR -- MODEL NO. BL1542LTDC, PRODUCT NO. 954 00 24-81

CHASSIS AND ENCLOSURES

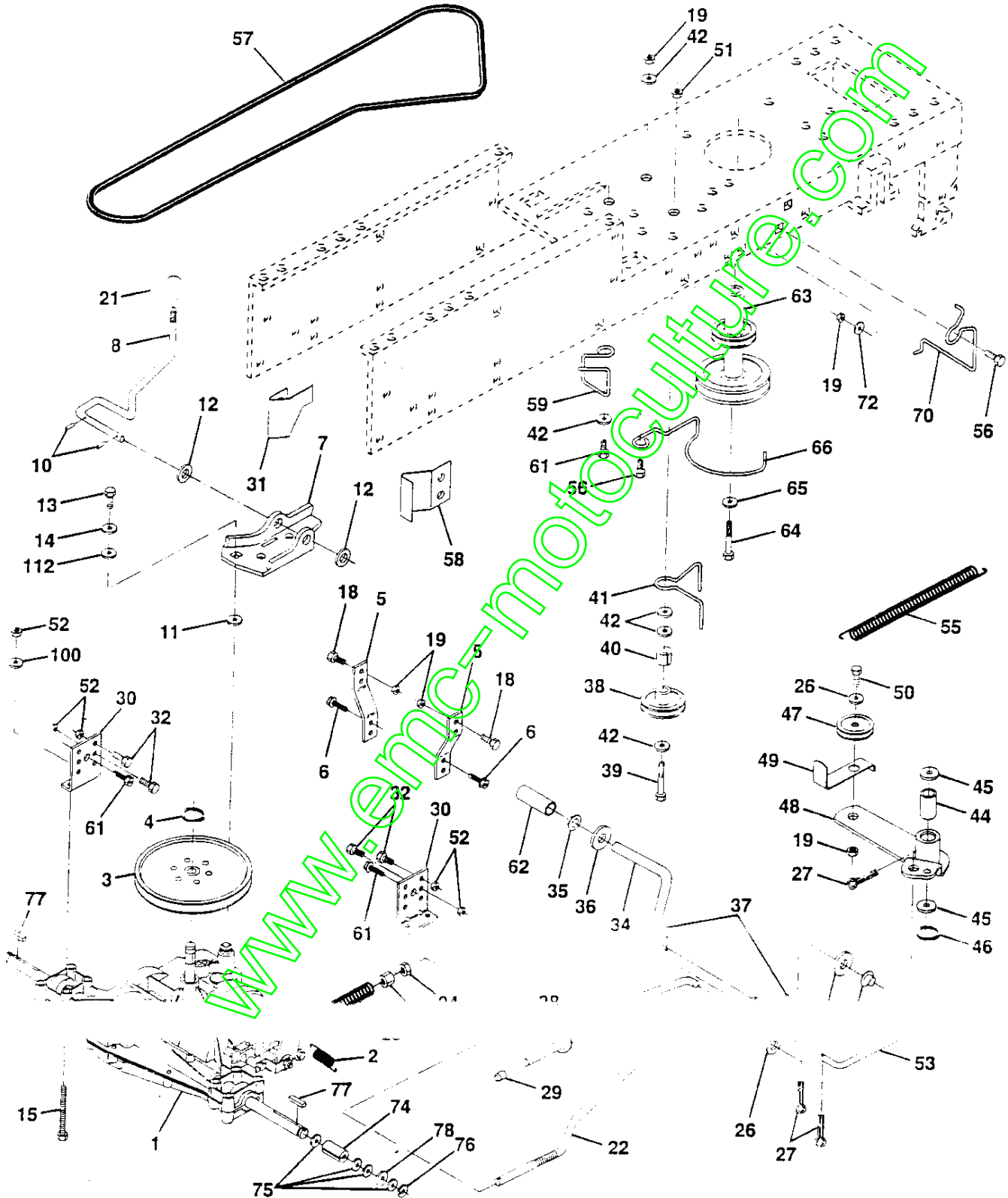
KEY NO.	PART NO.	DESCRIPTION
1	532140341	Chassis Wldmnt 11 Ga
2	532140356	Drawbar Stretch
4	819131216	Washer 13/32 X 3/4 X 16 Ga.
3	817490612	Screw Thdrol 3/8-16x3/4 Ty-tt
5	811050600	Washer, Lock, Ext.
6	532146182	Saddle Flat Saddle Shift
7	532126842	Shield Heat Hood Kohl/Dia Engine
8	532126471	Clip Insulator .406 Mtg Hole
9	532141323	Dash Slkscr
10	872140608	Bolt Rdhd Sqnk 3/8-16unc X 1
11	532135464	Panel Dash LH
13	532126276	Panel Dash RH Weldment
14	817490608	Screw Thdrol 3/8-16x1/2 Ty-tt
15	874180512	Screw Mach TRHD 5/16-18uncx3/4
16	873510500	Nut Keps 5/16-18 Unc
17	532125153	Hood Asm Pnt Weld Yel Slope
18	532126938	Bumper Hood
19	817521312	Screw Sltd Hex Hd w/Pl washer
21	532122933	Rivet Ratchet Nylon
22	532124479	Washer Nylon Blk 28x 75x 19
24	874780616	Bolt Fin Hex 3/8-16unc X 1
25	819131312	Washer 13/32 X 13/16 X 12 Ga.
26	873800600	Nut Lock Hex w/ins 3/8-16 Unc
27	817030814	Screw Lock Spider #8 x 7/8
28	532140135	Grille Grey
29	532124029	Lens Headlight Bar
30	532124887	Fender Pnt LT n/shf n/ign
31	532136619	Bracket Fender Repl 109873x
33	532124899	Footrest Pnt LH (Husq Gray)
34	532124914	Footrest Pnt RH (Husq Gray)
35	872110606	Bolt Rdhd Sht Sqnk 3/8-16 x 3/4
38	532139886	Bracket Asm Pvt LH MWR Rear
39	532139887	Bracket Asm Pvt RH MWR Rear
100	532105037	Strip Foam 18"
--	532005479	Plug Button Blk 359 Dia Choke

NOTE: All component dimensions given in U.S. inches.
1 inch = 25.4 mm.

PAIR PARTS

TRACTOR - - MODEL NO. BL1542LTDC, PRODUCT NO. 954 00 24-81

DRIVE



REPAIR PARTS

TRACTOR - - MODEL NO. BL1542LTDC, PRODUCT NO. 954 00 24-81

DRIVE

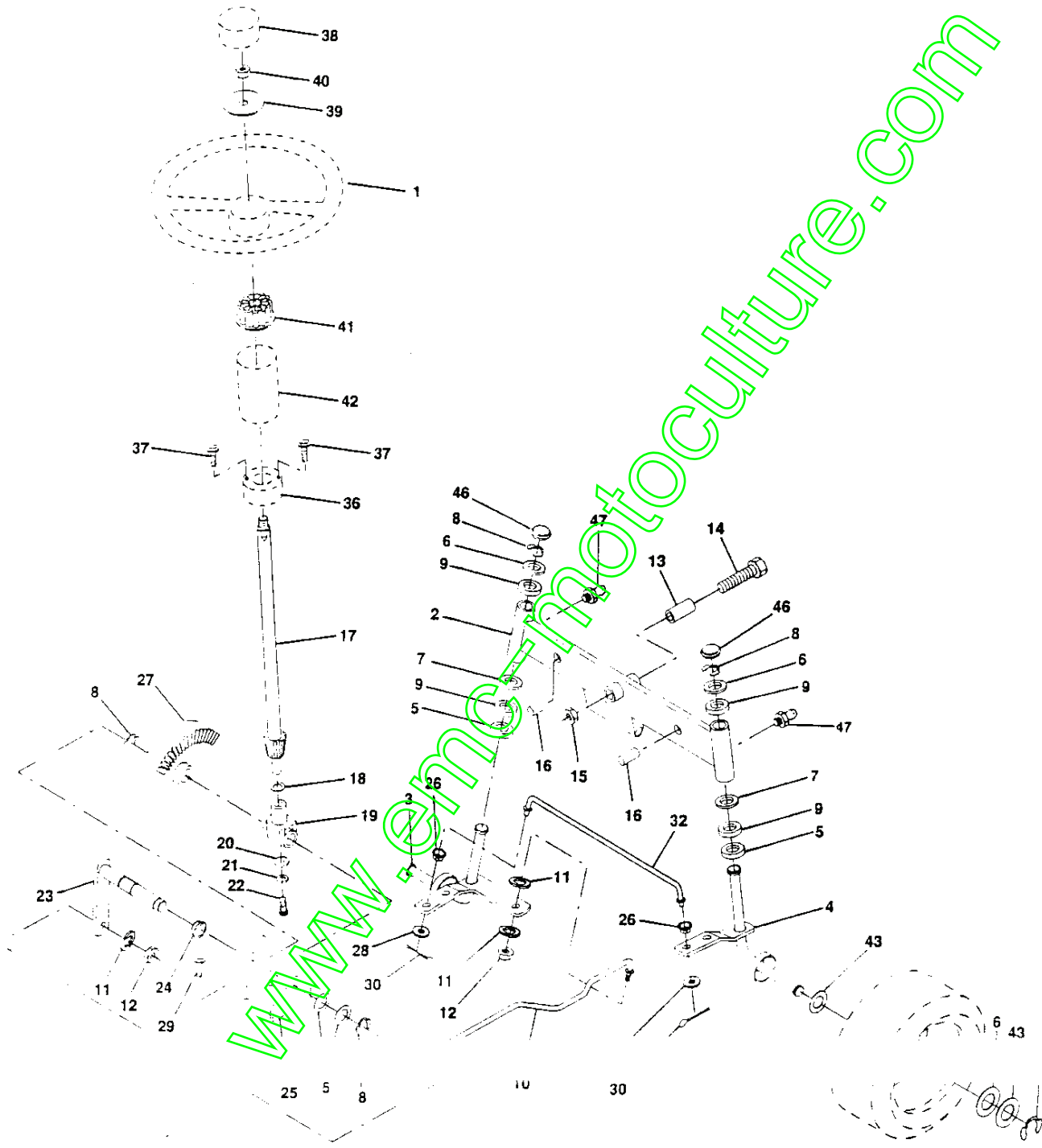
KEY NO.	PART NO.	DESCRIPTION	KEY NO.	PART NO.	DESCRIPTION
1	532142603	Transaxle 6sp Dana 4360-79	49	532123205	Retainer Belt Style Spring
2	532110422	Spring Return Brake T/a Zinc	50	874760624	Bolt Hex Hd 3/8-16unc X 1-1/2
3	532123666	Pulley Transaxle 18"tires	51	873680600	Nut Crownlock 3/8-16 Unc
4	812000028	Ring Retainer # 5100-62	52	873680500	Nut Crownlock 5/16-18
5	532121520	Strap Torque 30 Degrees	53	532105710	Link Clutch 7 66
6	817490512	Screw Thdrol 5/16-18 X 3/4 TYT	55	532105709	Spring Return Clutch 6 75
8	532141003	Rod Shifter	56	874760620	Bolt Fin Hex 3/8-16 UNC x 1-1/4
10	876020416	Pin Cotter 1/8 X 1 Cad	57	532130801	V-Belt Ground Drive 95 25 42"
11	532105701	Washer Plate Shf 388 Sq Hole	58	532127274	Keeper Belt RH LT Pnt/zinc 16g
12	819151216	Washer 15/32 x 3/4 x 16 Ga.	59	532140312	Keeper Belt Span Ctr
13	874550412	Bolt 1/4-28 unf Gr. 8 W/Patch	61	817490612	Screw Thdrol 3/8-16x3/4 Ty-tt
14	810040400	Washer Lock Hvy Helical 1/4	62	532124877	Cover Pedal Blk Round
17	874780544	Bolt Fin Hex 5/16-18unc x 2 3/4	63	532140000	Engine Pulley LT/YT
18	874780616	Bolt Fin Hex 3/8-16unc X 1 Gr. 5	64	871170764	Bolt Hex 7/16-20x4 Gr 5
19	873800600	Nut Lock Hex W/wsh 3/8-16unc	65	810040700	Washer Lock Hvy Hcl Spr 7/16
21	532106933	Knob Rd 1/2-13 Plstc Thds Blk	66	532129921	Keeper Belt Engine LH LT
22	532130804	Rod Brake Blk Zinc 26 840	70	532134683	Guide Belt Mower Drive RH
24	873350600	Nut Hex Jam 3/8-16 Unc	72	819132018	Washer 13/32 X 1-1/4 X 12 Ga
25	532106888	Spring Rod Brake 2 00 Zinc	74	532109502	Spacer Split
26	819131316	Washer 13/32 X 13/16 X 16 Ga	75	532121749	Washer 25/32 X 1 1/4 X 16 Ga
27	876020412	Pin Cotter 1/8 X 3/4 Cad	76	812000001	E-ring #5133-75
28	532140448	Rod Brake Parking LT	77	532123583	Key Square 2 0 X 1845/ 1865
29	532071673	Cap Brake Parking Black	78	532121748	Washer 25/32 X 1-5/8 X 16 Ga
30	532130807	Bracket Mtg Transaxle	80	532131488	Arm Shift Transaxle
31	532127275	Keeper Belt LH LT 14 Ga	81	532136932	Shaft Asm Cross 18" t 42"deck
32	874760512	Bolt Hex Hd 5/16-18unc X 3/4	82	532123782	Spring Torsion T/a
34	532122424	Shaft Asm Pedal Foot 1 930	83	819171216	Washer 17/32 X 3/4 X 16 Ga
35	532120183	Bearing Nylon Blk 629 Id	84	532132182	Rod Shift Adj Tie
36	819211616	Washer 21/32 X 1 X 16 Ga	85	873530400	Nut Nylock 1/4 - 28
37	532124963	Pin Roll 3/16 X 1"	86	532071208	Bushing Rod Strg 629/632 Id
38	532123674	Pulley Idler Fiat	87	819212016	Washer 21/32 X 1-1/4 X 16 Ga
39	874760644	Bolt Fin Hex 3/8-16unc X 2-3/4	88	812000008	Ring Klip #5304-62
40	532124965	Spacer Split 395 X 59 Bzp	89	532139964	Console Shift 6sp LT
41	532109070	Keeper Belt Retainer	90	532124346	Nut Self-thd Wsh-hd 1/4 Zinc
42	819131312	Washer 13/32 X 13/16 X 12 Ga	100	819111216	Washer 11/32 X 3/4 X 16 Ga.
44	532105706	Bearing Nyl 503 X 628 X 1 25	112	819091210	Washer 9/32 X 3/4 X 10 Ga
45	532110812	Washer Hardened			
46	812000039	Ring Klip #t5304-50			
47	532127783	Pulley Idler V Groove Plastic			
48	532123789	Bellcrank Asm Clutch			

NOTE: All component dimensions given in U.S. inches
1 inch = 25.4 mm

REPAIR PARTS

TRACTOR - - MODEL NO. BL1542LTDC, PRODUCT NO. 954 00 24-81

STEERING ASSEMBLY



EPAIR PARTS

TRACTOR - - MODEL NO. BL1542LTDC, PRODUCT NO. 954 00 24-81
STEERING ASSEMBLY

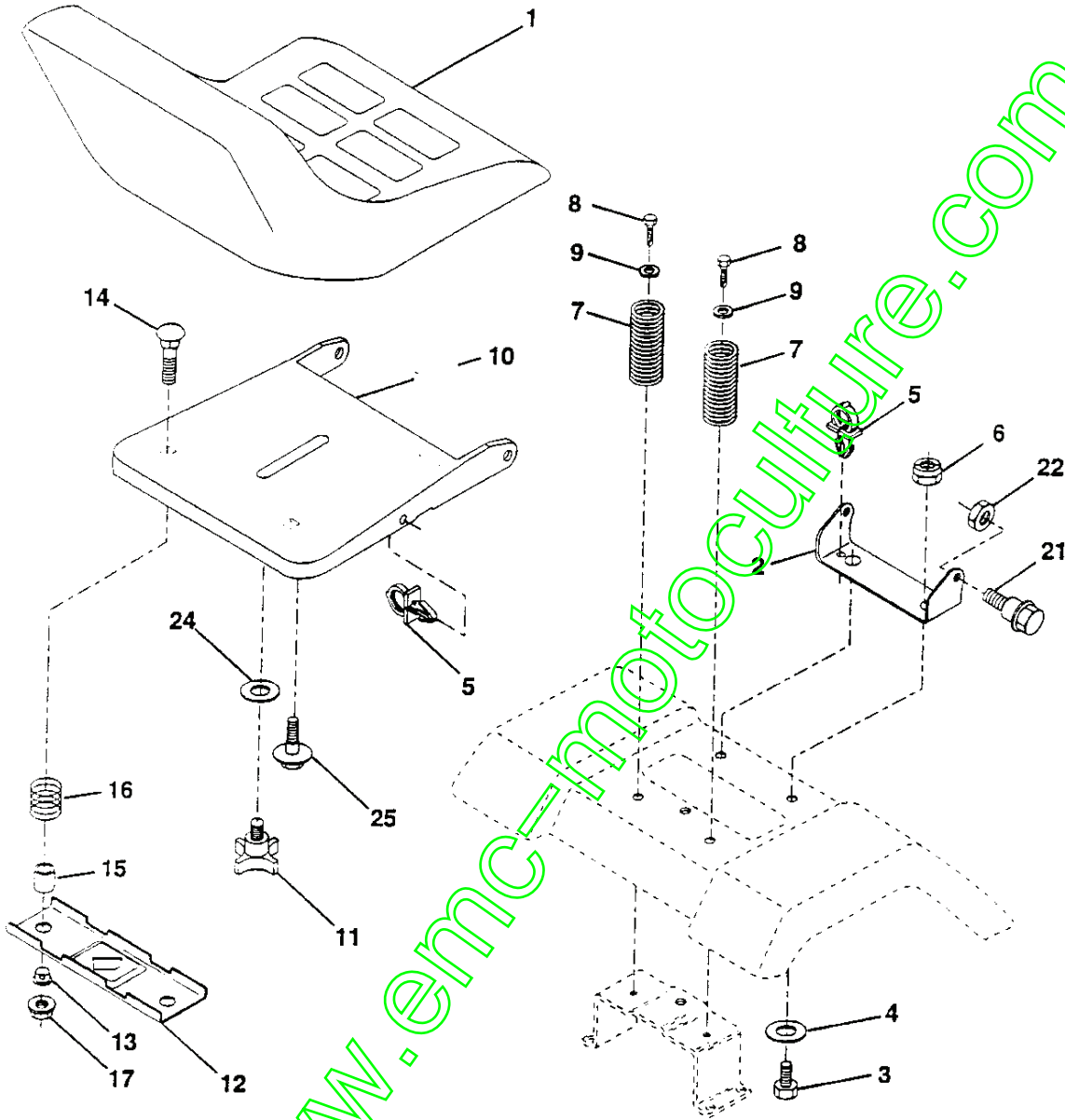
KEY PART NO.	NO.	DESCRIPTION
1	532133741	Wheel Steering Ayp/keich Blk
2	532142033	Axle Asm Fr LT W/gzks 38/42
3	532135227	Spindie Asm LH
4	532135228	Spindie Asm RH
5	532124931	Bearing Race Thrust Harden
6	532121748	Washer 25/32 X 1-5/8 X 16 Ga
7	819272016	Washer 27/32 X 1-1/4 X 16 Ga
8	812000029	Ring Klip #t5304-75
9	532124937	Bearing Col Strg Blk
10	532130468	Link Drag Sol Ball Jt 20 064
11	810040600	Washer Lock Hvy Hcl Spr 3/8
12	873610600	Nut Fin Hex 3/8-24 Unf
13	532110438	Spacer Bearing Axle Front
14	874011056	Bolt Hex 5/8-11 Unc X 3 1/2
15	873901000	Nut Lock Flange 5/8-11 Unc
16	532132624	Pin Axle 5/8 X 1 55/1 5/8 Lg
17	532132614	Shaft Asm Strg 5/8 X 15 1/9 LT
18	532057079	Washer Thrust 515x 750x 033
19	532124035	Support Shaft
20	532126684	Washer Shim 1/4 X 5/8 X 062
21	810040400	Washer Lock Hvy Helical 1/4
22	871070410	Screw Hex Socket 1/4-20 X 5/8
23	532127501	Shaft Asm Pittman
24	532109816	Nyliner Snap In
25	532124036	Bracket Steering
26	532126847	Bushing Link Drag Blk LR
27	532136874	Gear Sector
28	819131416	Washer 13/32 X 7/8 X 16 Ga
29	817490612	Screw Thdrol 3/8-16x3/4 Ty-tt
30	876020412	Pin Cotter 1/8 X 3/4 Cad
32	532130465	Rod Tie Wire Form 19 75 Mech
36	532132196	Bushing Strg 5/8 Id Dash
37	817431008	Screw Siftp #10-16 X 1/2 Ty-b
38	532133742	Cap Wheel Steer Ayp/keich Blk
39	819133808	Washer 13/32 X 2-3/8 X 8 Ga
40	532124701	Nut Lock Center 3/8-24unf
41	532104820	Adaptor Wheel Strg 640/ 635id
42	532124418	Boot Shaft Steering Blk
43	532121749	Washer 25/32 X 1 1/4 X 16 Ga
46	532121232	Cap Spindie Fr Top Blk
47	532124836	Fitting Grease

NOTE: All component dimensions given in U.S. inches
 1 inch = 25.4 mm.

E. AIR PARTS

TRACTOR - - MODEL NO. BL1542LTDC, PRODUCT NO. 954 00 24-81

SEAT ASSEMBLY



PART NO.	DESCRIPTION
532127427	Seat V250 Blk/blk Str
874760016	Bolt Fin Hex 3/8-16unc X 3/4
819131610	Washer 13/32 X 1 X 10 Ga
532145006	Clip Push-In Hinged
873800600	Nut Lock Hex 3/8-16 Unc
532124181	Spring Seat Cprsn 2 250 Blk Zi
817490616	Screw Thdrol 3/8-16 X 1 Ty-tt
819131614	Washer 13/32 X 1 X 14 Ga.
532140552	Pan Seat
532120068	Knob Seat 1/2 - 13 UNC Blk
532121246	Bracket Mounting Switch

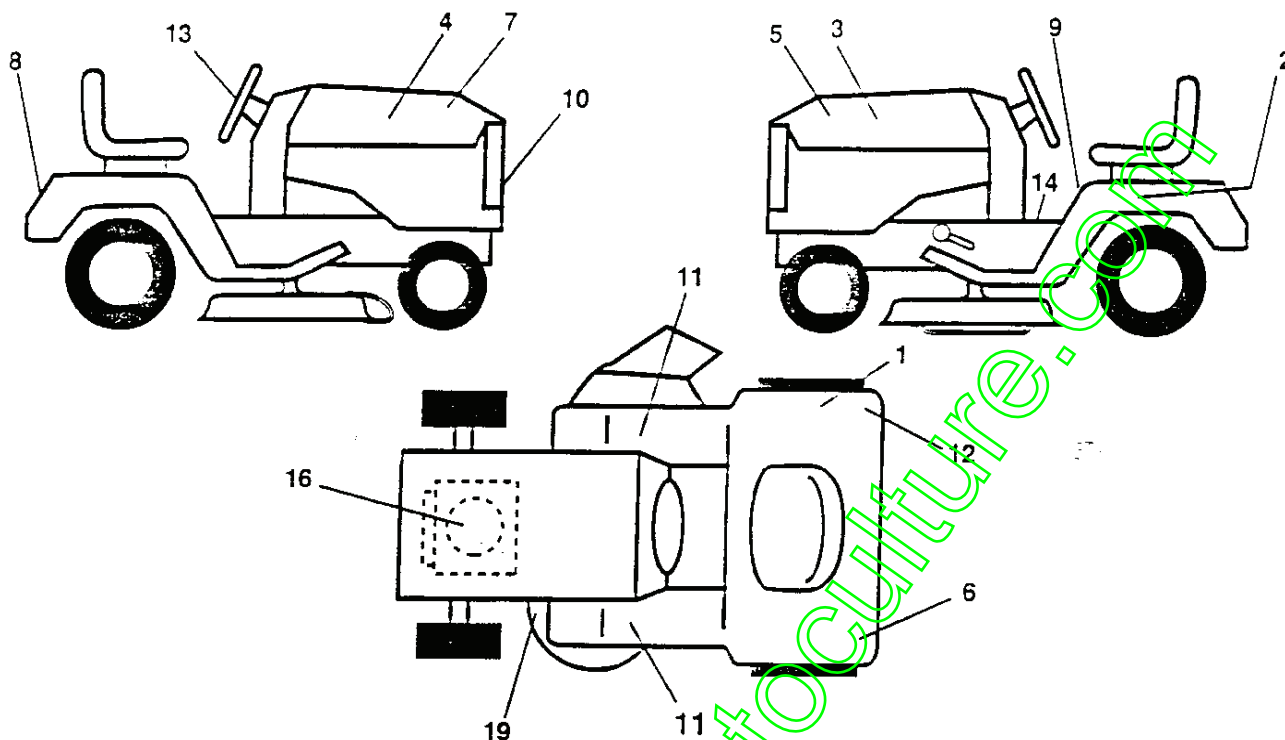
KEY PART NO.	NO.	DESCRIPTION
13	532121248	Bushing Snap Blk Nvl 50 Id
15	532134500	Spacer Spm 20x 90 Ter Zinc
16	532121250	Spring Cprsn 1 27 Blk Pnt
17	532123976	Nut Lock 1/4 Lge Flg Gr 5 Zinc
21	532139888	Bolt Shoulder 5/16-18 Unc Blkz
22	873800500	Nut Lock Hex 5/16-18
24	819171912	Washer 17/32 X 1-3/16 X 12 Ga.
25	532127018	Bolt Shoulder 5/16-18 X 62

NOTE: All component dimensions given in U.S. inches.
1 inch = 25.4 mm

REPAIR PARTS

TRACTOR -- MODEL NO. BL1542LTDC, PRODUCT NO. 954 00 24-81

DECALS

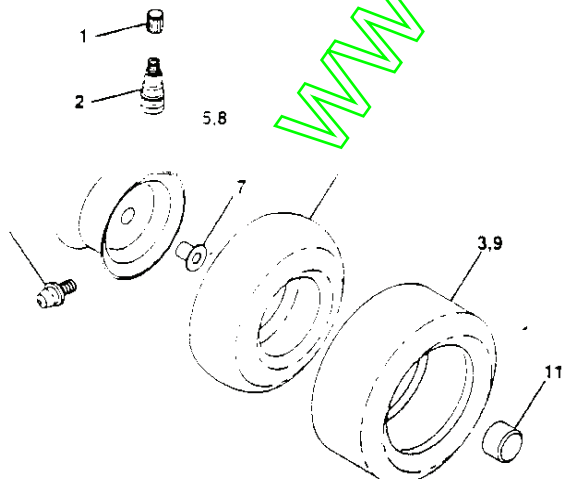


KEY NO.	PART NO.	DESCRIPTION	KEY NO.	PART NO.	DESCRIPTION
	532145437	Decal Europe Stand CE	13	532125835	Decal Strg Wheel Cap Berd/lois
	532121549	Decal Caution Battery Fr/ger	14	532140837	Decal Brake Parking Saddle
	532125934	Decal Hood Bernard LH	16	532141173	Decal Engine 15 HP B&S Diamond +
	532125935	Decal Hood Bernard RH	19	532136832	Decal. V-Belt Sch
	532141892	Decal Side Panel LH	--	532138311	Decal Lift Handle (Lift Handle)
	532145576	Decal Conformance 95 BL1542LTDC	--	532145705	Manual Inst Asm
	532141891	Decal Side Panel RH	--	532146157	Manual Oper Gen 42" e/f
	532125819	Decal Fender Bernard			
	532145498	Decal Read Owner's Manual Sym			
	532131265	Decal Lightbox Grille Sloped			
	532108256	Decal Pad Footrest			
	532125690	Decal 100 Db			

Available accessories (not included with your tractor):

- CE42 Bagger 42"
- LBD48 48" Snow Blade
- LC05 33 lb. Wheel Wts (Pair)
- LSB42 42" Snow Blower
- MK420 Mulching Kit W/Blades

WHEELS & TIRES



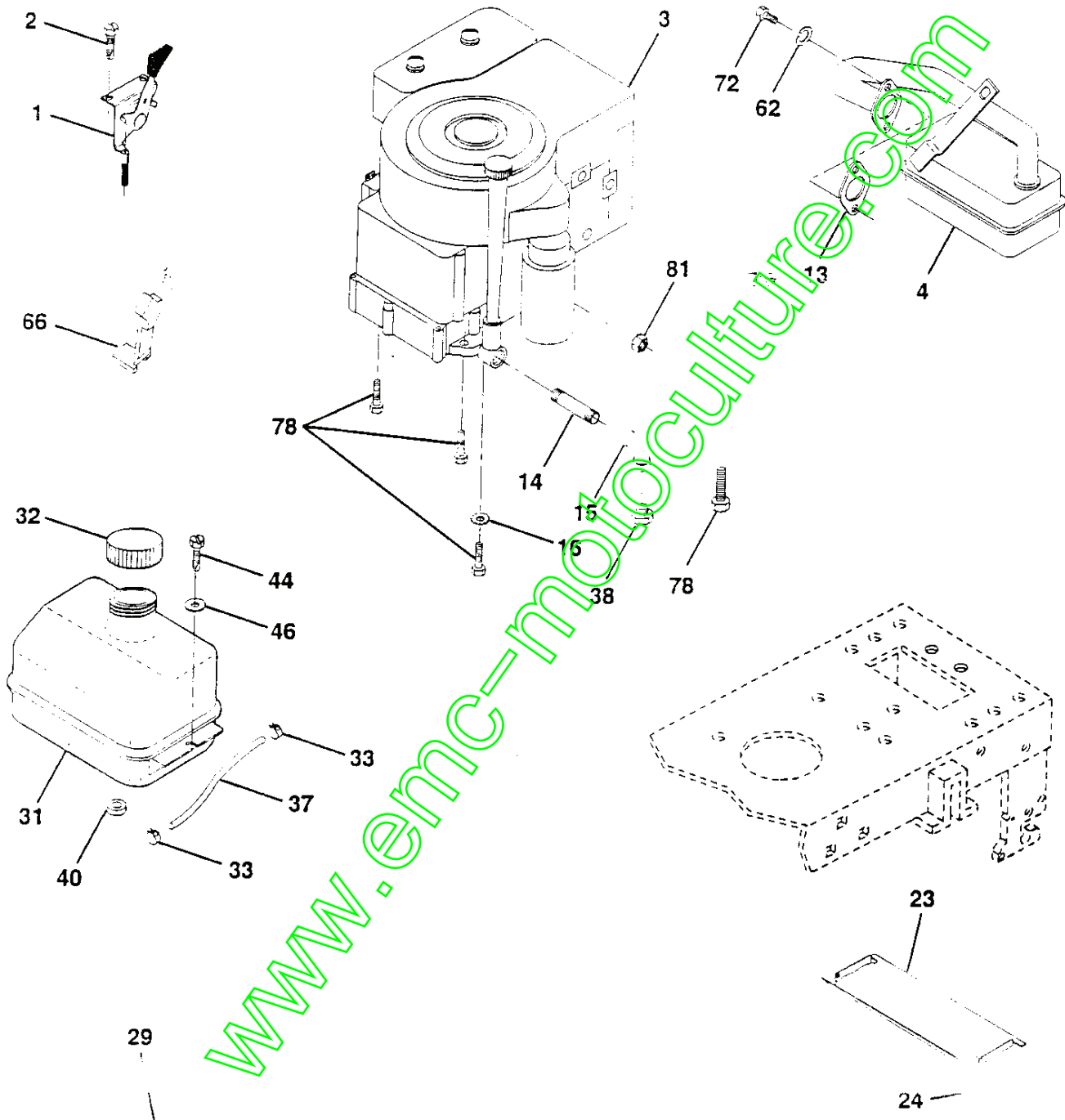
KEY NO.	PART NO.	DESCRIPTION
1	532059192	Cap Valve Tire
2	532065132	Tire 18 x 9.5-8 C
4	532059904	Tube Front (Service Item Only)
5	532125121	Rim Asm 6" front Yellow Service
6	532124957	Fitting Grease (Front Wheel Only)
7	532124959	Bearing Flange (Front Wheel Only)
8	532125122	Rim Asm 8" rear Yellow Service
9	532106268	Tire R Ts 18 x 9.5-8 C Service
10	532124926	Tube Rear (Service Item Only)
11	532104757	Cap Axle Blk 1 50 X 1 00

NOTE: All component dimensions given in U.S. inches
1 inch = 25.4 mm

REPAIR PARTS

TRACTOR - - MODEL NO. BL1542LTDC, PRODUCT NO. 954 00 24-81

ENGINE



OPTIONAL EQUIPMENT
Spark Arrester

REPAIR PARTS**TRACTOR - - MODEL NO. BL1542LTDC, PRODUCT NO. 954 00 24-81****ENGINE**

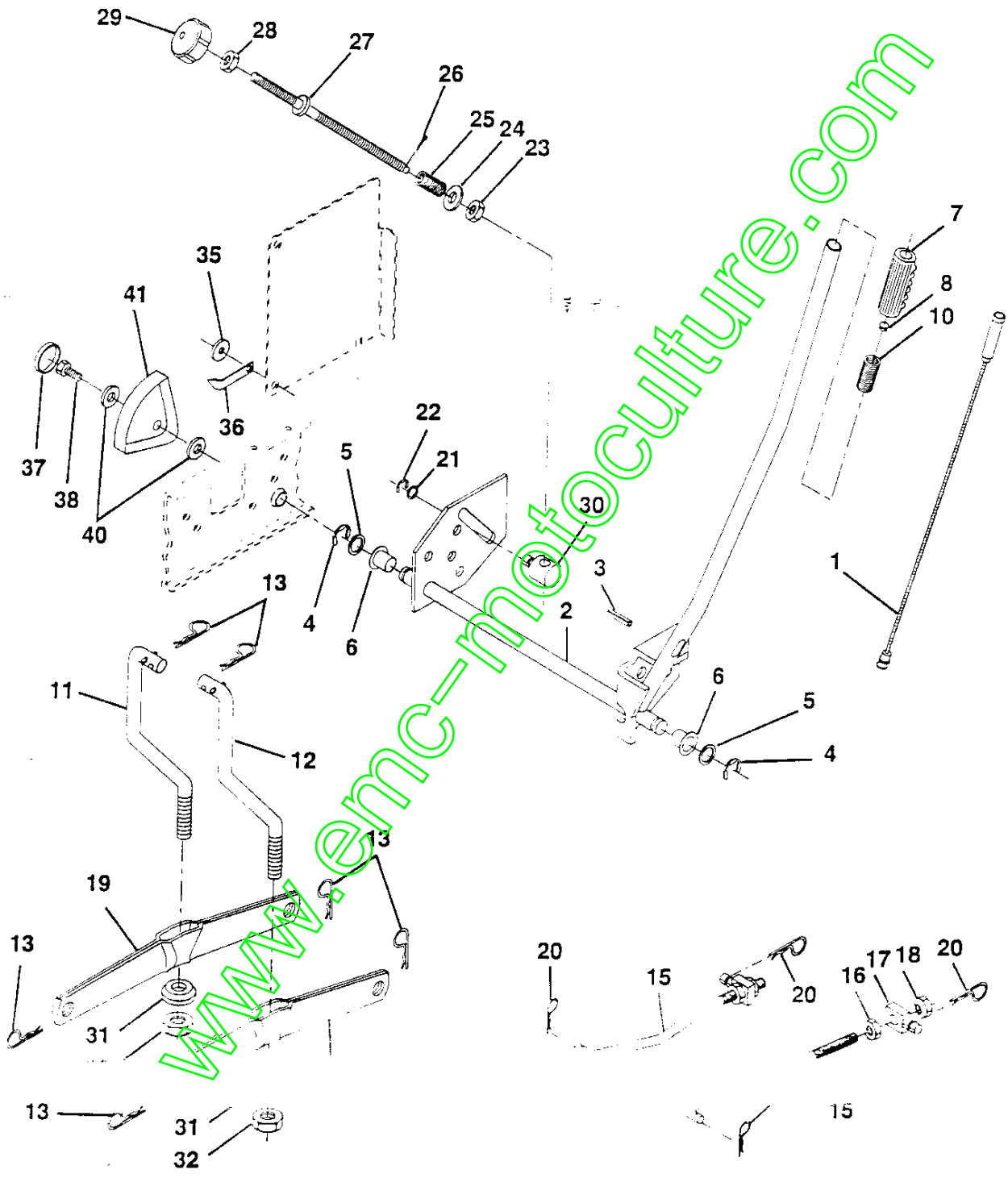
KEY NO.	PART NO.	DESCRIPTION
1	532132623	Control Th/ch RH Blk Tee Eec
2	817720410	Screw Hex Thd Cut 1/4-20x5/8 T
3	-----	Engine B&S 15 HP Diamond Dual Model No. 28N707
4	532137352	Muffler LT B&S 15 HP
13	532125593	Gasket Eng 1 313 Id Tin Plated
14	813280324	Nipple Pipe 3/8 Npt X 3" =
15	813200300	Elbow Std 90 Degree 3/8-18 Npt
16	811050600	Washer Lock Ext Tooth 3/8
23	532128953	Shield Heat Browning LT/TT
24	817021008	Screw Tap Hex #10-24 UNC X 1/2
29	532137180	Kit Spark Arrestor
31	532109202	Tank Fuel Front 1 25
32	532140527	Cap Asm Fuel Top Vent N/Lang
33	532123487	CLAMP Hose Blk
37	532137040	Line Fuel 20"
38	-----	Plug Oil Drain (Order From Engine Manufacturer)
40	532124028	Bushing Snap Nyl Blk Fuel Line
44	817490412	Screw Hex Wash Thdrol 1/4-20x3/4
46	819091416	Washer 9/32 X 7/8 X 16 Ga.
62	810040500	Washer Lock Hvy Hlcl Spr 5/16
66	532127951	Stop Throl 3000 Rpm
72	871070512	Screw Hexhd Cap 5/16-18x3/4
78	817490620	Screw Thdrol 3/8-16x1-1/4 TYTT
81	873510400	Nut Keps Hex 1/4-20 UNC

NOTE: All component dimensions given in U.S. inches
1 inch = 25.4 mm

REPAIR PARTS

TRACTOR - - MODEL NO. BL1542LTDC, PRODUCT NO. 954 00 24-81

MOWER LIFT



REPAIR PARTS

TRACTOR - - MODEL NO. BL1542LTDC, PRODUCT NO. 954 00 24-81

MOWER LIFT

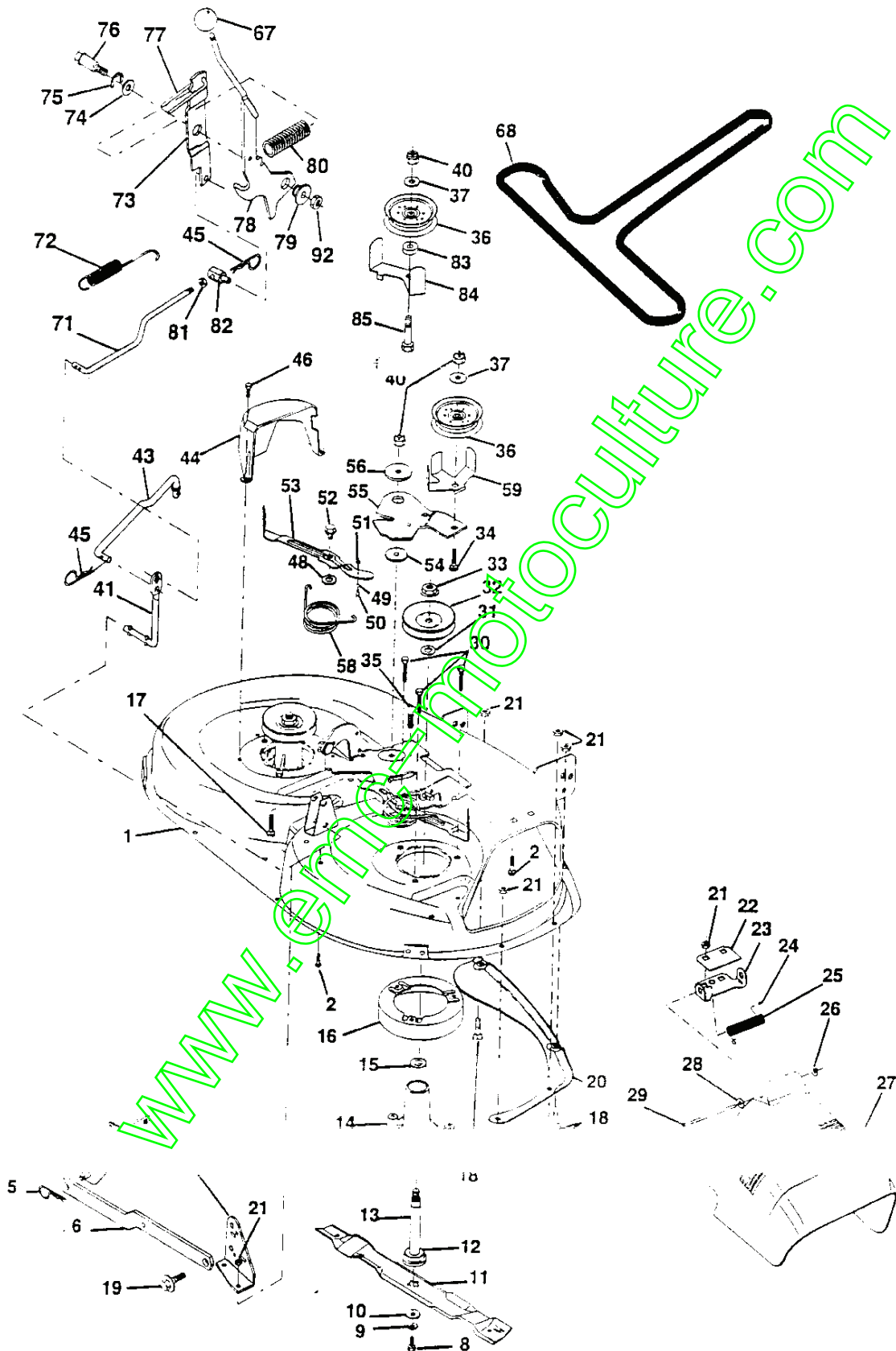
KEY NO.	PART NO.	DESCRIPTION
1	532136973	Wire Asm Inner W/plunger 17 32
2	532122507	Shaft Asm Lift LH Inf Hgt P/L
3	532105767	Pin Groove 1 500 Zinc
4	812000002	E Ring #5133-62
5	819211621	Washer 21/32 X 1 X 21 Ga
6	532120183	Bearing Nylon Blk 629 Id
7	532109413	Grip Handle Bicycle Matte Blk
8	532124526	Button Plunger Black
10	532122512	Spring Cprsn 3 750 Oiled
11	532139865	Link Lift LH
12	532139866	Link Lift RH
13	532124670	Retainer Spring
15	532127218	Link Front
16	873350800	Nut Jam Hex 1/2-13 Unc
17	532130171	Trunnion Blk Zinc
18	873800800	Nut Lock W/wsh 1/2-13Unc
19	532139868	Arm Suspension Rear
20	532124660	Retainer Spring
21	819151216	Washer 15/32 X 3/4 X 16 Ga
22	812000037	Ring Klip #15304-37
23	532110807	Nut Special
24	819131016	Washer 13/32 X 5/8 X 16 Ga
25	532124874	Spring 2-1/8"
26	876020308	Pin Cotter 3/32 X 1/2
27	532126971	Rod Adj Lift Zinc 7 49 Wrk Lg
28	873350600	Nut Hex Jam 3/8-16 Unc
29	532138057	Knob Inf 3/8-16 Unc Blk W/sym
30	532110810	Trunnion Dp Stop Dbl Thds PLT
31	532140302	Bearing pvt. Lift SphencaI
32	873810600	Nut Lock 3/8 - 24 w/Nylon Insert
35	532120529	Washer Nylon .44 x .75 x 032
36	532138346	Pointer pnt height ind.
37	532123935	Plug hole Blk 1.485/1.515 Dia
38	817490512	Screw Thdrot 5/16-18 x 3/4
40	819112410	Washer 11/32 x 1-1/2 10 Ga
41	532123934	Scale Ind. Height Black

NOTE: All component dimensions given in U.S. inches
1 inch = 25.4 mm

LOWER AIR PARTS

TRACTOR - - MODEL NO. BL1542LTDC, PRODUCT NO. 954 00 24-81

LOWER



REPAIR PARTS

TRACTOR - - MODEL NO. BL1542LTDC, PRODUCT NO. 954 00 24-81

MOWER

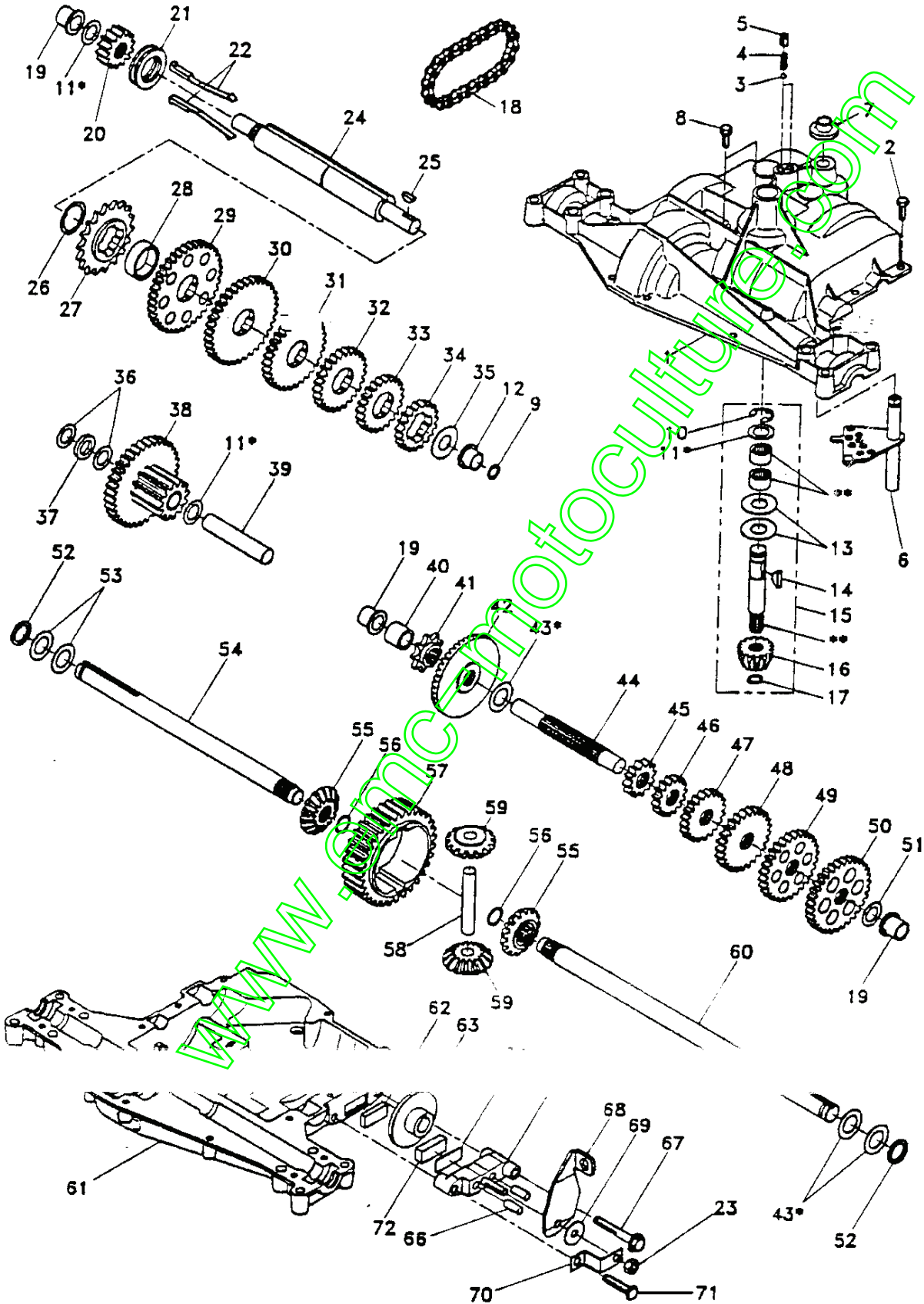
KEY NO.	PART NO.	DESCRIPTION	KEY NO.	PART NO.	DESCRIPTION
1	532144393	Deck Asm MWR 42" weldment	43	532140083	Rod Clutch Secondary W/nibs
2	872140506	Bolt Rdhd Sqnk 5/16-18unc X3/4	44	532140088	Guard Mandrel LH Black
3	532138017	Bracket Asm Fr Sway Bar 38/42	45	532124788	Spring Retainer 1 Zinc/cad
4	532138440	Bracket Asm Deck 42"sway Bar	46	532137729	Screw Hex Thd Cut 1/4-20x5/8 T
5	532124670	Retainer Spring	48	532133944	Washer Hardened Smaller
6	532130832	Arm Suspension Rear	49	532133940	Roller Asm Cam/Follower 42"dec
8	532850857	Bolt 3/8 - 24 X 1.25 Gr 8	50	532131340	Bolt Shldr 10-24 Zinc Gr 5 42"
9	810030600	Washer Lock Hvy 3/8	51	532069180	Nut Lock #10-24 Unc
10	532140296	Washer Hard Blade Mower Vented	52	532139888	Bolt Shoulder 5/16-18 Unc Blkz
11	532138498	Blade Mower 42" High Lift	53	532131845	Arm Asm Pad Brake
12	532129895	Bearing Ball #6024 (Mandrel)	54	532133943	Washer Hardened
13	532137645	Shaft Asm W/lower Bearing	55	532140084	Arm Idler 42"mower LT/YT
14	532128774	Housing Mandrel Vented	56	532122052	Spacer Retainer Pm Mower
15	532110485	Bearing Ball Mandrel	58	532140086	Spring Torsion Brakes
16	532140329	Stripper Mower Vented	59	532141043	Guard TUV Idler
17	872110610	Bolt Rdhd Sqnk 3/8-16 X 1-1/4	67	532106932	Knob Rd 3/8-16 Plstc Thds Blk
18	872140505	Bolt Rdhd Sqnk 5/16-18 X 5/8	68	532144200	V-Belt Mower 42" 82 625
19	532132827	Bolt Shoulder	71	532142427	Rod Clutch Primary 38/42
20	532136888	Baffle Vortex 42	72	532131870	Spring Return
21	873680500	Nut Crownlock 5/16-18	73	532127847	Arm Clutch Secondary
22	532134753	Stiffener Bracket 42"deck	74	532121748	Washer 25/32 X 1-5/8 X 16 Ga
23	532131267	Bracket Deflector Mower 42"	75	812000029	Ring Klip #t5304-75
24	532105304	Cap Sleeve 80x 112 Blk Mower	76	532128903	Bolt Shoulder 3/8-16 Unc 1 44
25	532123713	Spring Torsion Deflector 2 52	77	532127845	Keeper Spring 4 000
26	532110452	Nut Push Phos & Oil	78	532140334	Arm Asm Clutch Primary
27	532130968	Shield Deflector Mower 42" Blk	79	532127498	Bushing 747 Od X 794 Lg Brass
28	819111016	Washer 11/32 X 5/8 X 16 Ga	80	532128759	Spring Clutch Mower 2 750 Zinc
29	532131491	Rod Hinge 42"6 75 Wlg	81	873350600	Nut Hex Jam 3/8-16
30	532138776	Screw Thdrol Hex Head Zinc Mwr	82	532142028	Trunnion Adj
31	532129963	Washer Spacer Mower Vented	83	532120958	Washer Sintered
32	532129861	Pulley Mandrel 42"	84	532144394	Keeper Belt Idler Fixed
33	532137266	Nut 9/16 Toplock Fing Oil Dip	85	872140620	Bolt Carriage 3/8-16 x 2-1/2 Gr. 5
34	872110614	Bolt Rdhd 3/8-16uncx1-3/4 Gr5	92	873800600	Nut Lock Hex W/ins 3/8-16 Unc
35	532133835	Fastner Christmas Tree	--	532130794	Mandrel Asm Service (Includes Key Nos. 8-10, 12-15, 31 and 33)
36	532131494	Pulley Idler Flat 3 060	--	532144783	Deck Serv 42" HL Mech T-Path
37	819131316	Washer 13/32 X 13/16 X 16			
40	873680600	Nut Crownlock 3/8-16 UNC			
41	532133551	Rod Pivot W/nibs			

NOTE: All component dimensions given in U.S. inches
1 inch = 25.4 mm

PAIR PARTS

TRACTOR - - MODEL NO. BL1542LTDC, PRODUCT NO. 954 00 24-81

MANA TRANSAXLE - MODEL NUMBER 4360-79



EPAIR PARTS**TRACTOR - - MODEL NO. BL1542LTDC, PRODUCT NO. 954 00 24-81****DANA TRANSAXLE - MODEL NUMBER 4360-79**

KEY PART NO. NO.	DESCRIPTION	KEY PART NO. NO.	DESCRIPTION
1	532142671 Housing, Upper	41	532105928 Sprocket, 9 Teeth
2	532002274 Screw, Self-Tapping, Large 1/4-20 x .734	42	532110084 Gear, Bevel, 42 Teeth
3	532134400 Ball, Detent	43	532134394 * Assembly, Kit, Shim .750 Shaft
4	532105904 Spring, Detent	44	532120473 Shaft, Drive
5	532105905 Screw, Set	45	532142678 Gear, Spur, 12 Teeth
6	532138235 Kit, Shifter Assembly	46	532142679 Gear, Spur, 15 Teeth
7	532134399 Boot, Shifter	47	532120407 Gear, Spur, 20 Teeth
8	532134791 Screw, Self-Tapping, with Sealer	48	532106589 Gear, Spur, 25 Teeth
9	532138241 Square Ring	49	532120408 Gear, Spur, 28 Teeth
10	532142672 Ring, Retaining	50	532105937 Gear, Spur, 31 Teeth
	532134793 * Assembly, Shim .625 Shaft	51	532002226 Washer, Plain .632 x 1.00 x .060
	532142673 Bearing, Flange	52	532134401 Washer, Plain .632 x 1.00 x .060
13	532120415 Washer, Plain .632 x 1.38 x .046	53	532002264 Washer, Plain .758 x 1.25 x .031
14	532142674 Key, Woodruff, #9	54	532120474 Axle, L.H.
15	532138234 Assembly, Kit, Input Shaft	55	532110081 Gear, Miter, 15 Teeth
16	532110078 Pinion, Bevel, 14 Teeth	56	532105941 Ring, Retaining
17	532105909 Ring, Retaining	57	532110071 Gear, Spur, 32 Teeth
18	532105910 Chain, 24 Pitches	58	532120952 Shaft, Cross
19	532105911 Bearing, Flange	59	532110082 Gear, Miter, 15 Teeth
20	532142675 Gear, Spur, 14 Teeth	60	532123908 Axle, R.H.
21	532138246 Collar, Clutch	61	532142680 Housing, Lower
22	532138236 Assembly, Kit, Clutch Keys	62	532120961 Puck, Friction
23	873810500 Locknut 5/16-24	63	532007294 Disc, Brake
24	532142676 Shaft, Intermediate	64	532108989 Spacer
25	532002244 Key, Woodruff, #61	65	532120953 Jaw, Brake
26	532105916 Ring, Retaining	66	532120954 Pin, Dowel
27	532120470 Sprocket, 18 Teeth	67	532134799 Screw, Self-Tapping, Large 5/16-18 x 2.25
28	532110070 Spacer	68	532138244 Lever, Actuating
29	532142677 Gear, Spur, 37 Teeth	69	532108996 Washer, Plain .321 x 1.00 x .055
30	532142681 Gear, Spur, 35 Teeth	70	532120956 Bracket, Anti-Rotation
31	532120405 Gear, Spur, 30 Teeth	71	532106596 Screw, Self-Tapping, Large 5/16-18 x 1.44
32	532108980 Gear, Spur, 25 Teeth	72	532120951 Puck, Friction
33	532120406 Gear, Spur, 22 Teeth	73	532120416 Grease
34	532134796 Gear, Spur, 19 Teeth		
35	532105925 Washer, Plain .640 x 1.37 x .061		
36	532002232 Washer, Plain .632 x 1.00 x .026		
37	532108978 Spacer .630 x 1.00 x .169		
38	532110079 Assembly, Gear, Combination of 12 Teeth and 35 Teeth		
39	532124639 Shaft, Idler		
40	532120472 Spacer .635 x .875 x .755		

* Use in combinations to maintain proper clearances

** Order Key No. 15

NOTE: All component dimensions given in U.S. inches
1 inch = 25.4 mm