

CATALOGUE PIECES DE RECHANGE

BERNARD Loisirs

TRACTEUR DE PELOUSE

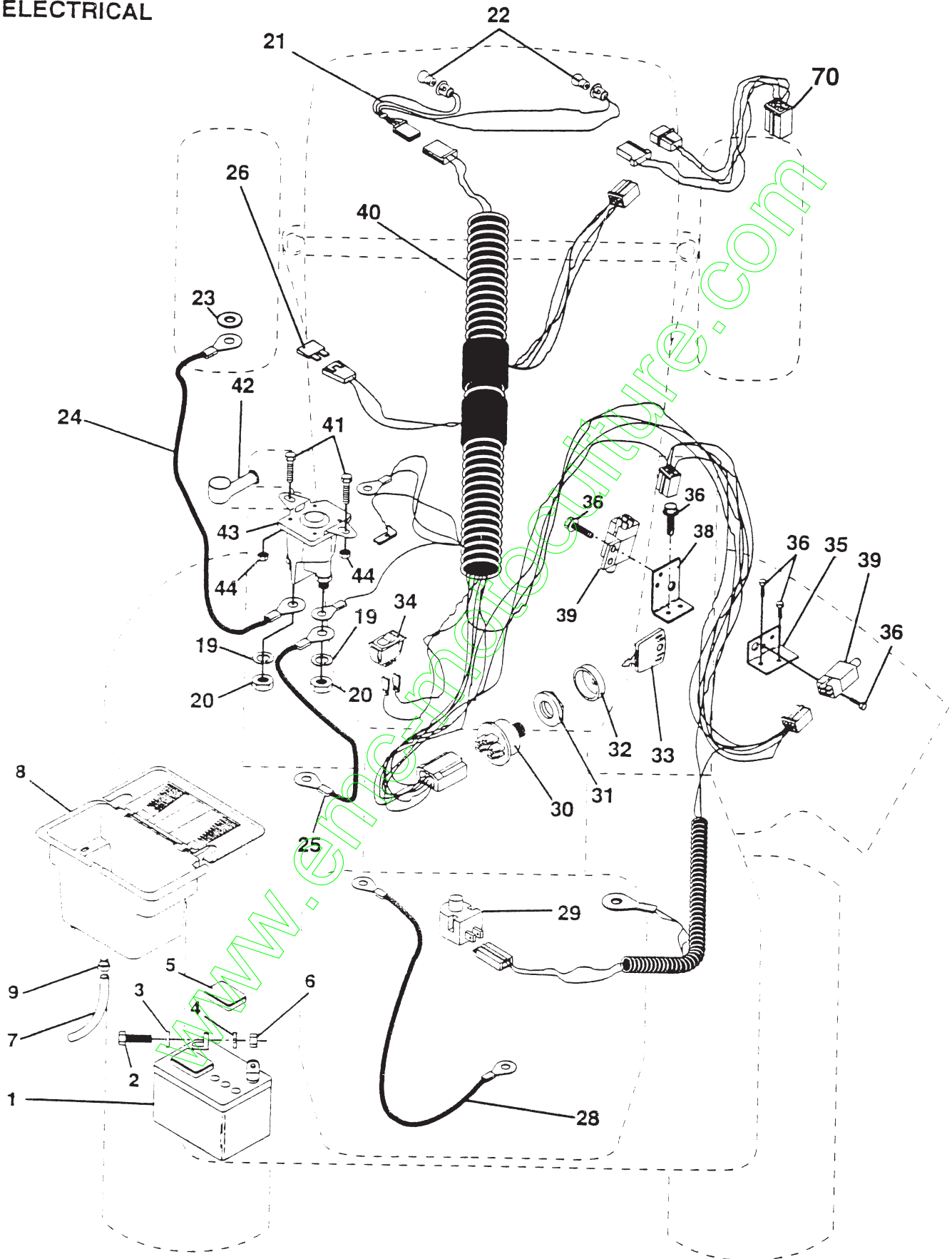
MODELE: BL 1542 LTH

N° DE PRODUIT : 9540024-11

REPAIR PARTS

15 HP 42" TRACTOR- -MODEL NO. BL1542LTH (BL1542LTHA),
PRODUCT NO. 954 00 24-11

ELECTRICAL



REPAIR PARTS

15 HP 42" TRACTOR- -MODEL NO. BL1542LTH (BL1542LTHA),

PRODUCT NO. 954 00 24-11

ELECTRICAL

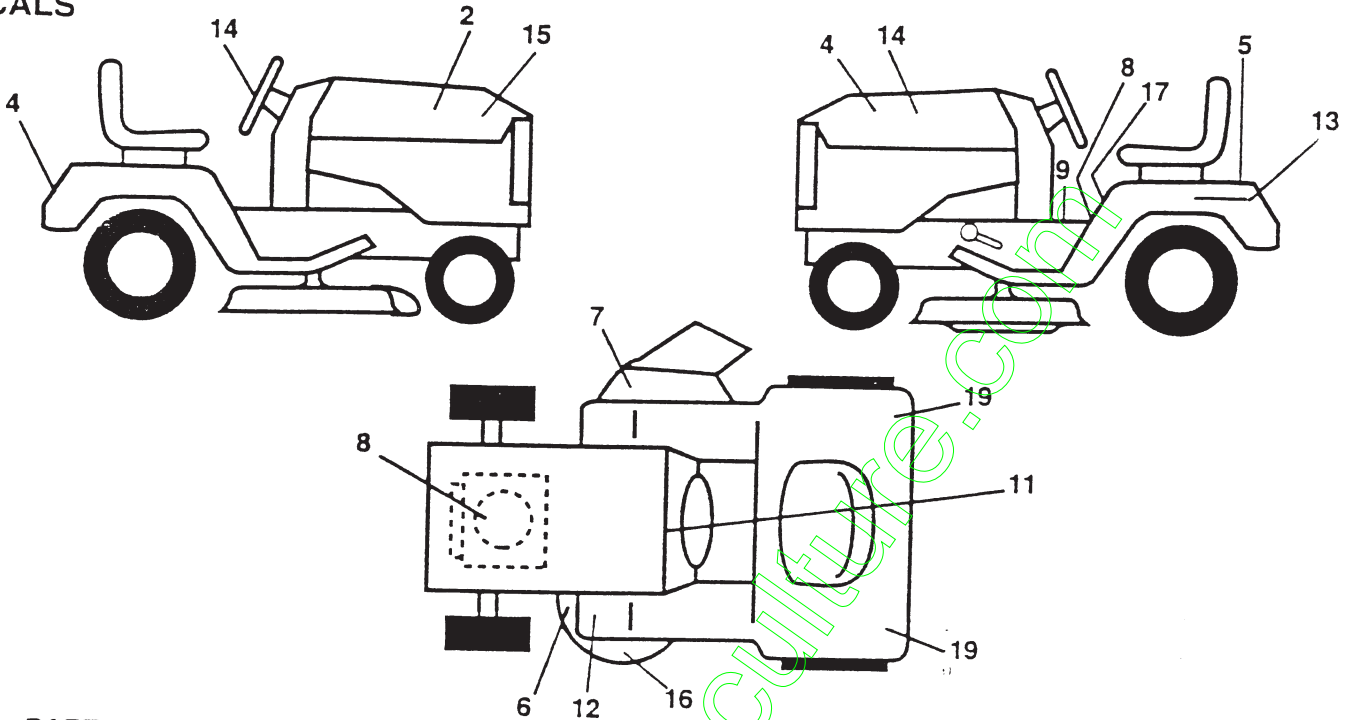
KEY NO.	PART NO.	DESCRIPTION
1	532121265	Battery 12 Volt 25 Amp
2	874760412	Bolt Hex Hd 1/4-20unc X 3/4
3	819091016	Washer 9/32 X 5/8 X 16 Ga
4	810040400	Washer Lock Hvy Helical 1/4
5	532121264	Caps Battery 20/25/30 AMP
6	873220400	Nut Fin Hex 1/4-20 Unc
7	532109238	Tube Plastic 20"
8	532129965	Battery Case Hng Mech
9	532109596	Clamp Hose Olive
19	810090400	Washer Lock 1/4
20	873350400	Nut Jam Hex 1/4-20 Unc
21	532136850	Harness Asm Light W/4152j
22	532004152	Bulb Light #1156
23	811150400	Washer Lock Internal Tooth 1/4
24	532124780	Cable Battery 6 Ga 11"red
25	532132202	Cable Battery 6 Ga 43"red
26	532108824	Fuse 30 AMP Auto Green
28	532004207	Cable Ground 6 Ga 12"black
29	532121305	Switch Plunger Nc Gray
30	532140399	Switch Ign 3 Pos.
31	532140400	Nut Ignition
32	532141226	Cover Sw Key Blk 1 25 Text SLT
33	532140401	Key Ign
34	532110712	Switch Light Blk Blk Red
35	532140336	Bracket Switch Interlock
36	817021008	Screw Tap Hex #10-24unc X 1/2
38	532108236	Bracket Switch Clutch
39	532109553	Switch Intlk Clutch Gry 4 Term
40	532140415	Harness Ign Lt Mech Dash
41	871110408	Bolt Fin Hex 1/4-20 x 1/2
42	532131563	Cover Terminal Red
43	532138406	Solenoid
44	873640400	Nut Keps Hex 1/4-20 Unc
70	532140422	Harness Eng. B&S

NOTE: All component dimensions given in U.S. inches.
1 inch = 25.4 mm

REPAIR PARTS

15 HP 42" TRACTOR- -MODEL NO. BL1542LTH (BL1542LTHA),
PRODUCT NO. 954 00 24-11

DECALS

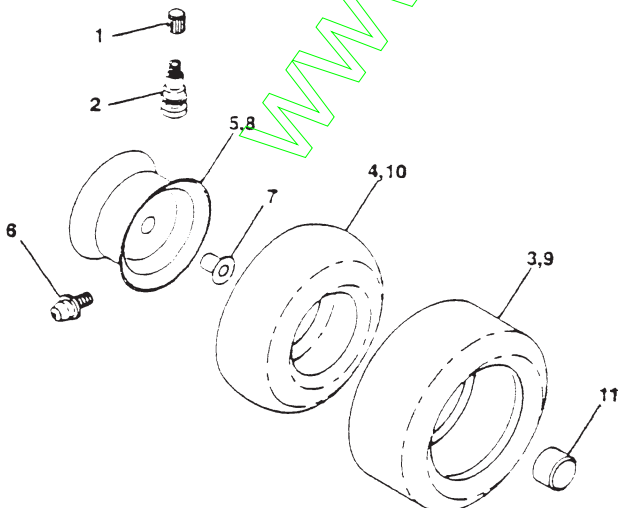


KEY NO.	PART NO.	DESCRIPTION	KEY NO.	PART NO.	DESCRIPTION
1	532125935	Decal Hood Slope LH Bernard	13	532121549	Decal Caution Battery Fr/ger
2	532125934	Decal Hood Slope RH Bernard	14	532140694	Decal Strg Auto Bernard
3	532140691	Decal Panel Side LH	15	532140690	Decal Panel Side RH BL1542LTH Hydr.
4	532125819	Decal Fender Bernard	16	532135013	Decal Enviro Deck Yellow
5	532125690	Decal 100 DbA	17	532133795	Decal Caution Fender Eng/fr
6	532136832	Decal, V-Belt Sch 38"/42" LT	19	532106202	Reflector Tail Light Red/amber
7	532137259	Decal Warning MULT-LANGUAGE	-	532138311	Decal Handle Lift Height Adjust
8	532140837	Decal Brake Parking Saddle	-	532141181	Manual Oper BL1542LTHA (Euro)
9	532142337	Decal Sdl Cold Start Hydro E/F	-	532141182	Manual Oper BL1542LTHA (Scand)
11	532138956	Decal Instruction Dash Eng/fr	-	532142341	Decal Drawbar Control
12	532101892	Decal Clutch/brake E/fr/ger/du			

Available accessories (not included with tractor)

- CE42 42" Bagger
- LA018 Tire Chains (18 x 9.5 x 8)
- SB20 40" Snow Thrower
- BD20 42" Snow Blade
- LC05 33 lb. Wheel Wts. (pair)

WHEEL

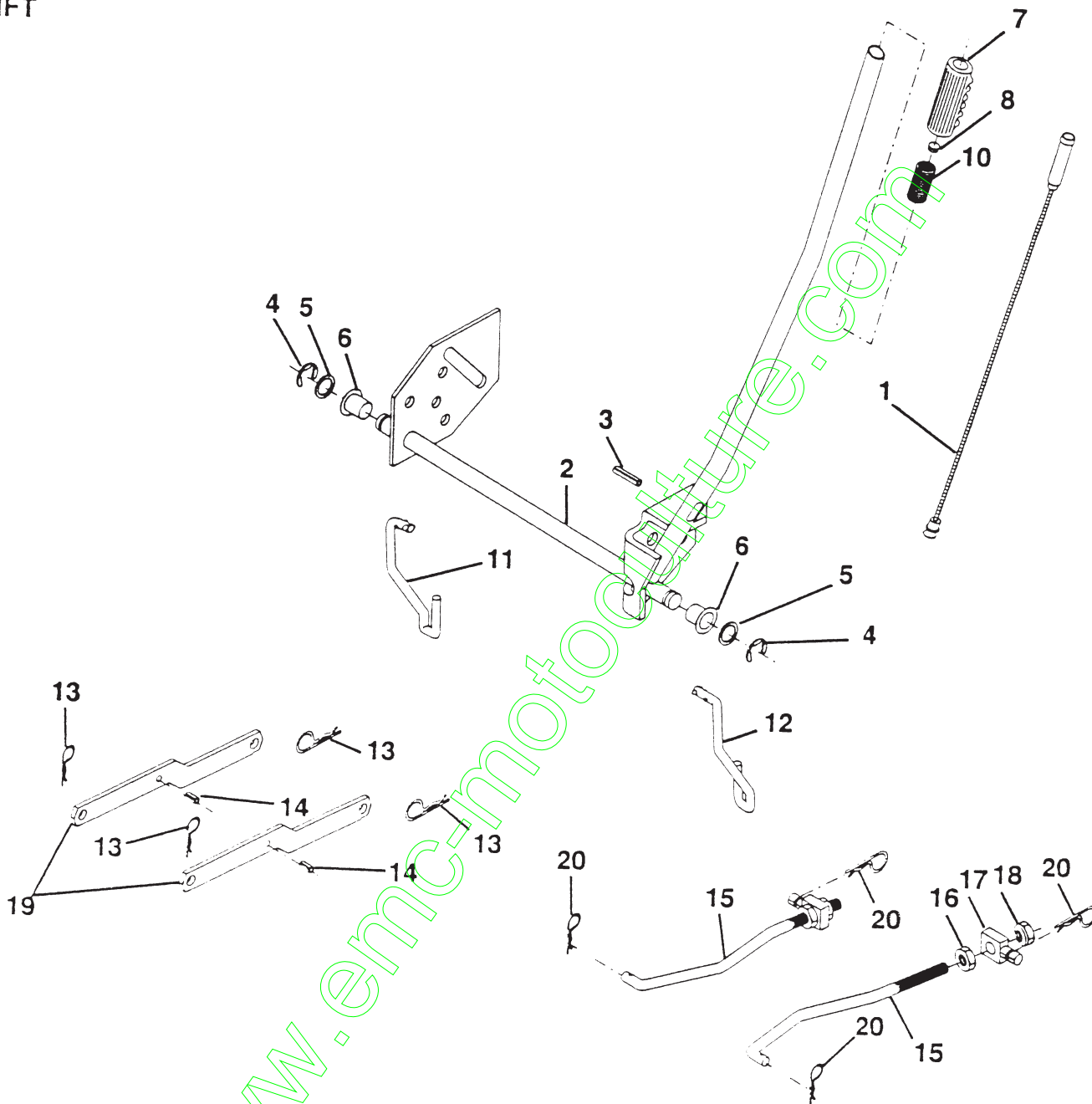


KEY NO.	PART NO.	DESCRIPTION
1	532059192	Cap Valve Tire
2	532065139	Stem Valve
3	532106222	Tire F Ts 15 X 6 0 - 6 Service
4	532059904	Tube Front (Service Item Only)
5	532125121	Rim Asm 6" front Yellow Service
6	532124957	Fitting Grease (Front Wheel Only)
7	532124959	Bearing Flange (Service Item Only)
8	532125122	Rim Asm 8" rear Yellow Service
9	532106268	Tire R Ts 18x9 5-8 C Service
10	532124926	Tube Rear (Service Item Only)
11	532104757	Cap Axle Blk 1 50 X 1 00

REPAIR PARTS

15 HP 42" TRACTOR- -MODEL NO. BL1542LTH (BL1542LTHA),
PRODUCT NO. 954 00 24-11

LIFT



KEY NO.	PART NO.	DESCRIPTION
1	532136973	Wire Asm Inner w/plunger
2	532122507	Shaft Asm Lift 9 680
3	532105767	Pin Groove 1 500 Zinc
4	812000002	E Ring #5133-62
5	819211621	Washer PLTD 21/32 X 1 X 21ga
6	532120183	Bearing Nylon Blk 629 Id
7	532109413	Grip Handle Bicycle Matte Blk
8	532124526	Button Plunger Black
10	532122512	Spring Cprsn 3 750 Oiled

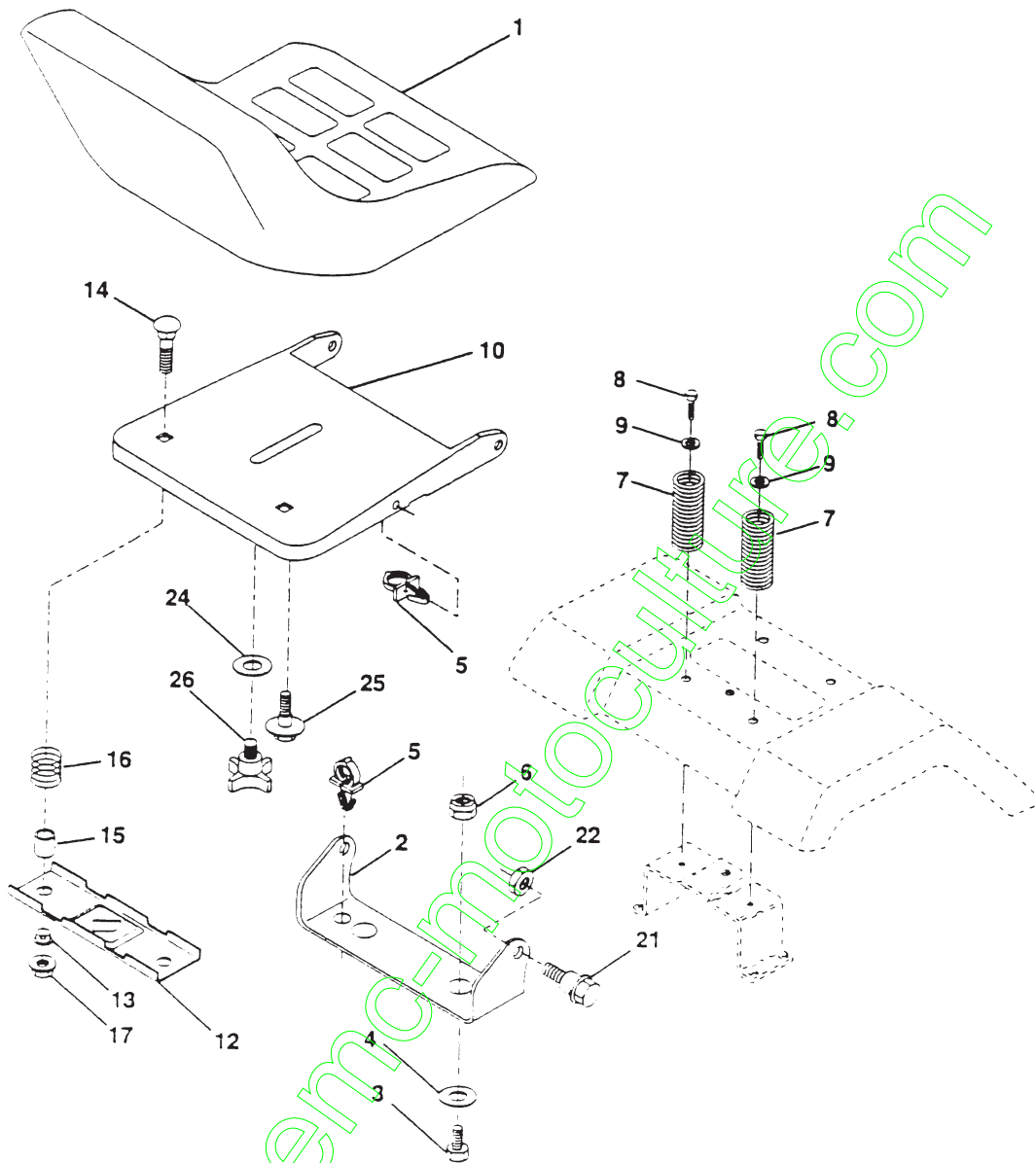
KEY NO.	PART NO.	DESCRIPTION
11	532134619	Link Lift LH Fixed Length
12	532135388	Link Lift RH Fixed Length
13	532124670	Retainer Spring
14	532135563	Pin Roll SLT 5/16 X 1 25 Blk O
15	532127218	Link Front
16	873350800	Nut Jam Hex 1/2-13 Unc
17	532130171	Trunnion Blk Zinc
18	873800800	Nut Lock W/wsh 1/2-13unc
19	532130832	Arm Suspension Rear
20	532124660	Retainer Spring

NOTE: All component dimensions given in U.S. inches.
invh = 25,4 mm.

REPAIR PARTS

15 HP 42" TRACTOR- -MODEL NO. BL1542LTH (BL1542LTHA),
PRODUCT NO. 954 00 24-11

SEAT



KEY NO.	PART NO.	DESCRIPTION
1	532127427	Seat V350 Blk/blk Std
2	532140551	Bracket Pivot Seat 8 720
3	874760612	BOLT Fin Hex 3/8-16unc X 3/4
4	819131610	Washer 13/32 X 3/4 X 10 Ga
5	532140407	Clip Push-In .375 x .250
6	873800600	Nut Lock Hex w/Ins 3/8-16 Unc
7	532124181	Spring Seat Cprsn 2 250 Blk Zi
8	817490616	Screw Thdrol 3/8-16 X 1 Ty-tt
9	819131614	Washer 13/32 X 1 X 14 Ga
10	532140552	Pan Seat
12	532121246	Bracket Mounting Switch

KEY NO.	PART NO.	DESCRIPTION
13	532121248	Bushing Snap Blk Nyl 50 Id
14	872050411	BOLT Rdhd Sht Nk 1/4-20x1-3/8
15	532134300	Spacer Split 28x 96 Yel Zinc
16	532121250	Spring Cprsn 1 27 Blk Pnt
17	532123976	Nut Lock 1/4 Lge Flg Gr 5 Zinc
21	532139888	BOLT Shoulder 5/16-18 Type T.T.T.R.
22	873680500	Nut Crown Lock 5/16-18
24	819171912	Washer 17/32 X 1-3/16 X 12 Ga
25	532127018	BOLT Shoulder 5/16-18 X 62
26	532120068	Knob Seat 1/2-13unc Blk

NOTE: All component dimensions given in U.S. inches.
↑ inch = 25.4 mm

REPAIR PARTS

15 HP 42" TRACTOR- -MODEL NO. BL1542LTH (BL1542LTHA),

PRODUCT NO. 954 00 24-11

MOWER DECK

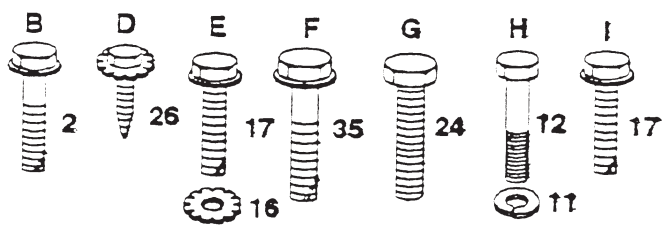
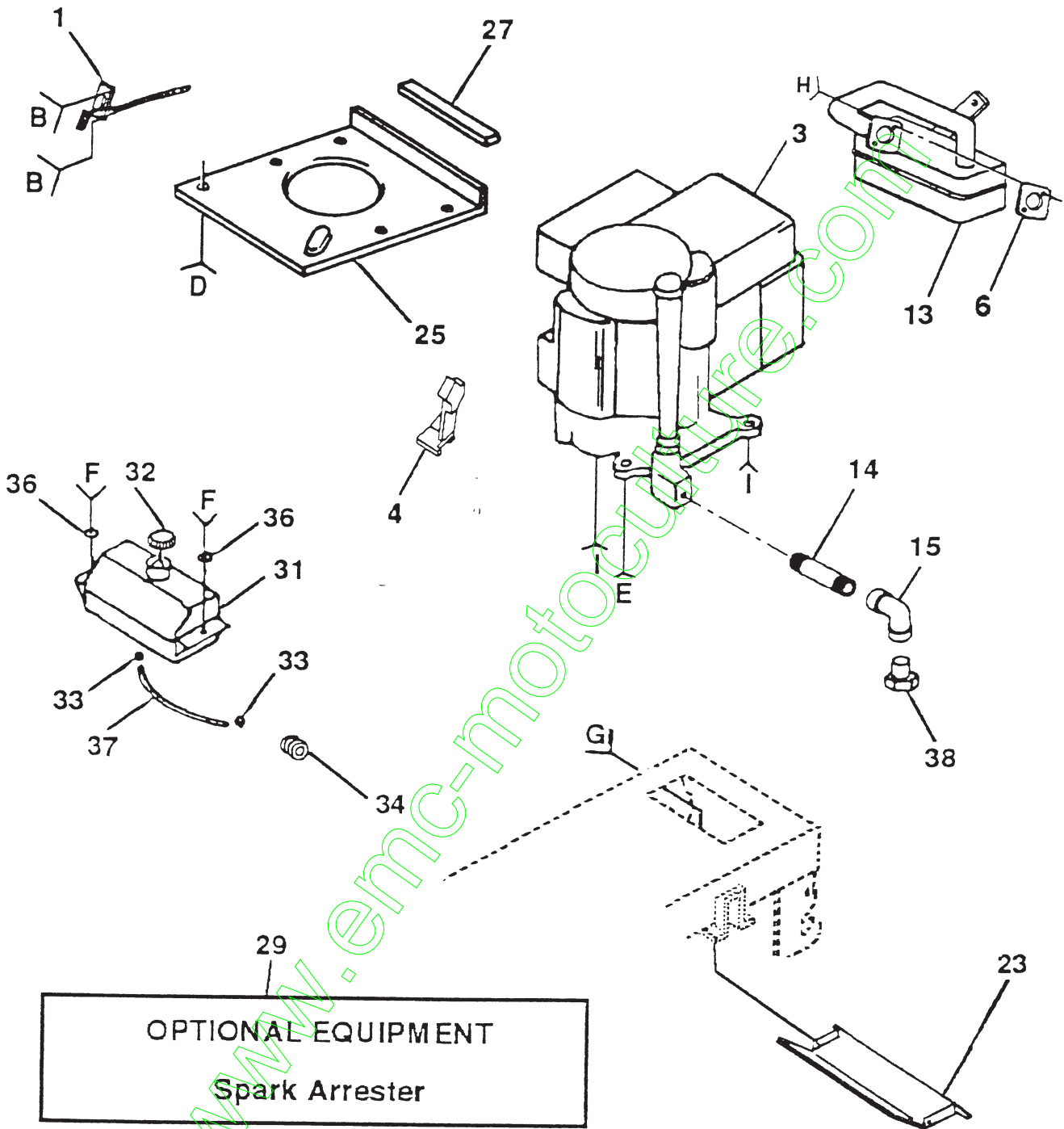
KEY NO.	PART NO.	DESCRIPTION	KEY NO.	PART NO.	DESCRIPTION
1	532140081	Asm., Mower Deck 42"	41	532132823	Spacer, Spring, Idler Stop
2	872140506	Bolt	44	532140088	Cover, Mandrel, Lh
3	532138017	Asm., Bar, Anti-Sway	45	532124788	Spring Retainer 1"
4	532138440	Asm., Bracket, Anti-Sway Bar	46	532137729	Screw, Thdrol 1/4-20 x 5/8
4A	532132827	Bolt, Shoulder	54	532133943	Washer, Hardened
5	532124670	Spring, Retainer	55	532140084	Arm, Idler
6	532130832	Arm, Suspension, Rear	56	532122052	Spacer, Retainer
7	873800500	Nut, Lock 5/16-18	57	532140090	Keeper, Belt, Front Lh
8	532850857	Bolt 3/8-24 x 1,25 Gr. 8	58	532140086	Spring Torsion Brake
9	810030600	Washer, Lock	59	532141043	Guard Idler Tuv
10	532140296	Washer, Hardened	61	532131950	Spring, Extension 38" & 42"
11	532134149	Blade, Mower, Mulch	68	532140067	V-Belt, Mower
12	532129895	Bearing, Ball	71	532142427	Rod, Clutch, Primary, with Nibs
13	532137645	Asm., Shaft, Mandral, Vented (includes key no. 12)	72	532131870	Spring, Extension, Return
14	532128774	Housing, Mandral, Vented	73	532127847	Arm, Clutch, Secondary
15	532110485	Bearing, Ball, Mandral	74	532121748	Washer 25/32 x 1-5/8 x 16 ja.
16	532136929	Dispositif du courart à air	75	812000029	Ring, Klip
17	872110614	Bolt, Carriage 3/8-16 x 2-3/4	76	532128903	Bolt, Shoulder 3/8 - 16 UNC x 1.44
18	872140505	Bolt, Carriage 5/16-18 x 5/8	77	532127845	Keeper, Spring
19	873800500	Nut, Lock 5/16-18	78	532140334	Arm, Clutch, Primary
20	532136888	Chicane	79	532127498	Bushing, Large, Brass
21	873800500	Nut	90	874760616	Bolt Hex 3/8-16 x 1
22	532134753	Stiffener, Bracket	91	532132274	Asm., Bracket, Nose Roller Lh
23	532131267	Bracket, Deflector	92	873680600	Nut, Carriage 3/8-16
24	532105304	Cap, Sleeve	93	819171416	Washer 17/32 x 7/8 x 16 Ja.
25	532123713	Spring, Torsion, Deflector	94	532132264	Nose roller
26	532110452	Washer, Lock	95	532132273	Asm., Bracket, Nose Roller
27	532130968	Sheild, Deflector	111	532140353	Support, Bracket, Guage Wheel Lh
28	819111016	Washer 11/32 x 5/8 x 16 Ja.	112	532132262	Support, Bracket, Guage Wheel Rh
29	532131491	Rod, Hinge	113	374760512	Bolt Hex 5/16 - 18 x 3/4
30	532138776	Screw Hex Thdrol	114	873510500	Nut, Keps 5/16 - 18
31	532129963	Washer, Spacer	115	372110504	Bolt Carriage 5/16 - 18 x 1/2
32	532129861	Pulley, Mandral	116	532004898	Bolt, Shoulder
33	532137266	Nut Lock 9/16	117	532105455	Wheel, Guage
34	872110610	Bolt	118	873930600	Nut, Centerlock 3/8 - 16 UNC
35	532133835	Clip	119	819121414	Washer 3/8 x 7/8 x 14
36	532131494	Pulley, Idler, Flat	120	819171512	Washer 17/32 x 15/16 x 12 ja.
37	819131316	Washer 13/32 x 13/16 Ja.16	--	532130794	Asm. Mandrel (includes key nos. 8-10, 12-15, 31 et 33)
40	873800600	Nut	--	532140478	Deck, Mower, Complete / 40478

NOTE: All component dimensions given in U.S. inches
1 inch = 25.4 mm

REPAIR PARTS

15 HP 42" TRACTOR- -MODEL NO. BL1542LTH (BL1542LTHA),
PRODUCT NO. 954 00 24-11

ENGINE



REPAIR PARTS

15 HP 42" TRACTOR- -MODEL NO. BL1542LTH (BL1542LTHA),
PRODUCT NO. 954 00 24-11

ENGINE

KEY NO.	PART NO.	DESCRIPTION	KEY NO.	PART NO.	DESCRIPTION
1	532132623	Control Th/ch RH Blk Tee Eec	24	817021008	Screw Tap Hex #10-24unc X 1/2
2	817720410	Screw Hex Thd Cut 1/4-20x5/8 T	25	532126842	Shield Heat Hood LT
3	-	Engine B&s 15HP lcg Dual 1vt Model No 28Q777	26	817030808	Screw Spiderloc Hexhd#8x1/2 Ab
4	532127951	Stop Throttle 3000	27	532105037	Strip Foam 18"
6	532125593	Gasket Eng 1 313 Id Tin Plated	29	532131760	Kit Spark Arrestor 1 25 <i>137/80</i>
11	810040500	Washer Lock Hvy Hlcl Spr 5/16	31	532109202	Tank Fuel Front 1 25
12	871070512	Screw Hexhd Cap 5/16-18x3/4	32	532140527	Cap Asm Fuel W/sym Vented
13	532137352	Muffler LT B&s 12/12 5 HP	33	532123487	CLAMP Hose Blk
14	813280324	Nipple Pipe 3/8 Npt X 3"	34	532124028	Bushing Snap Nyl Blk Fuel Line
15	813200300	Elbow Std 90 Degree 3/8-18 Npt	35	817490412	Screw Hexwsh Thdrol 1/4-20x3/4
16	811050600	Washer Lock Ext Tooth 3/8	36	819091416	Washer 9/32 X 7/8 X 16ga
17	817490620	Screw Thdrol 3/8-16x1-1/4 TYTT	37	532137040	Line Fuel 9 20"
23	532128953	Shield Heat Browning LT/YT	38	- - - - -	Plug Oil Drain (Order From Engine Manufacturer)

NOTE: All component dimensions given in U.S. inches. 1 inch = 25,4 mm.

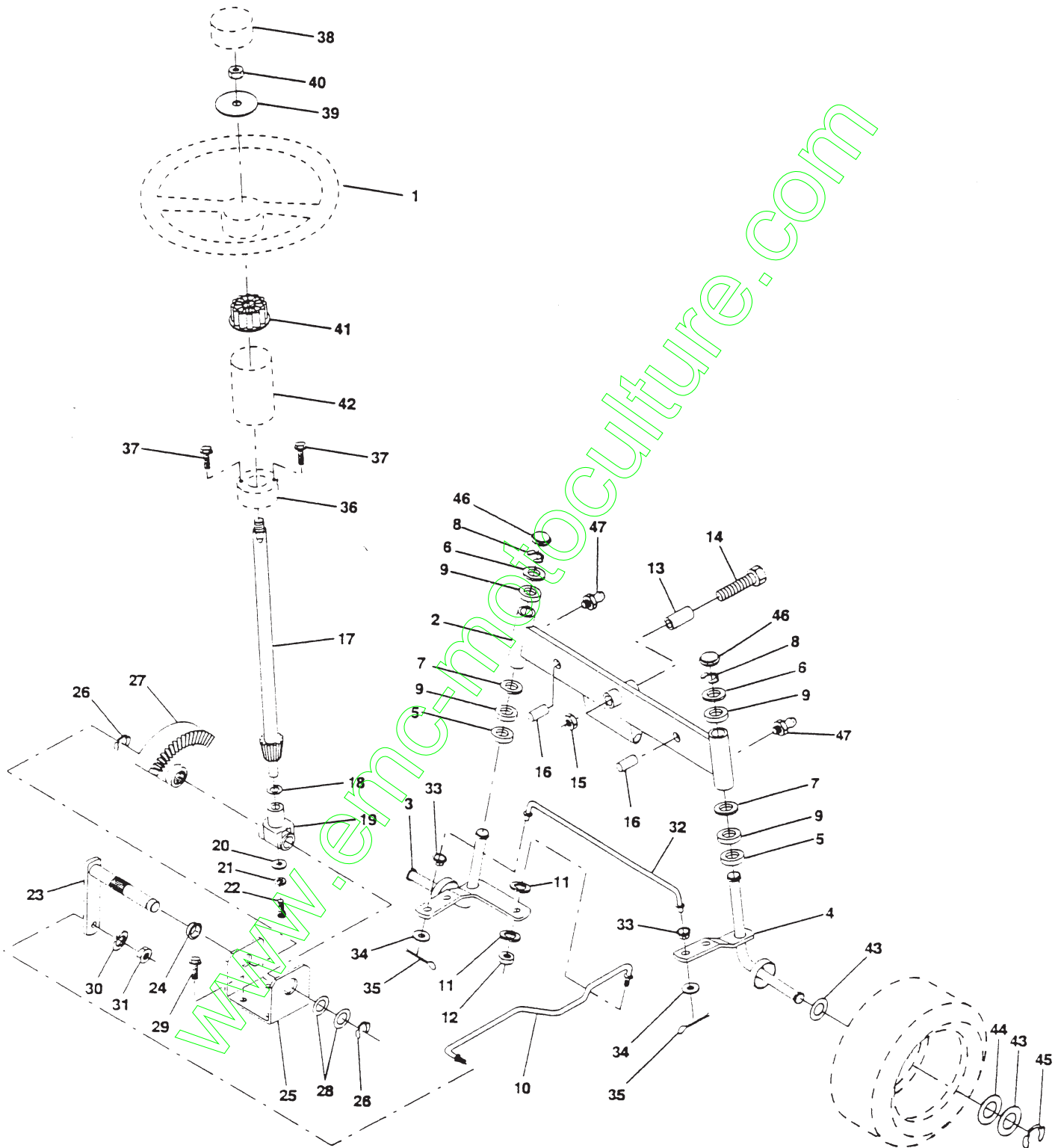
www.emc-motocult.com

REPAIR PARTS

15 HP 42" TRACTOR--MODEL NO. BL1542LTH (BL1542LTHA),

PRODUCT NO. 954 00 24-11

STEERING AND FRONT AXLE



REPAIR PARTS

15 HP 42" TRACTOR- -MODEL NO. BL1542LTH (BL1542LTHA),
PRODUCT NO. 954 00 24-11

STEERING AND FRONT AXLE

KEY NO.	PART NO.	DESCRIPTION	KEY NO.	PART NO.	DESCRIPTION
1	532121472	Wheel Steering Auto Black	24	532109816	Nyliner Snap In
2	532142033	Axle Asm Fr LT W/gzks 38/42	25	532124036	Bracket Steering
3	532135227	Spindle Asm LH	26	812000029	Ring Klip #t5304-75
4	532135228	Spindle Asm RH	27	532136874	Gear Sector 22 Teeth
5	532124931	Bearing Race Thrust Harden	28	532124931	Bearing Race Thrust Harden
6	532121748	Washer 25/32 X 1-5/8 X 16ga	29	817490612	Screw Thdrol 3/8-16x3/4 Ty-tt
7	819272016	Washer 27/32 X 1-1/4 X 16 Ga	30	810040600	Washer Lock Hvy Hlcl Spr 3/8
8	812000029	Ring Klip #t5304-75	31	873610600	Nut Fin Hex 3/8-24 Unf
9	532124937	Bearing Col Strg Blk	32	532130465	Rod Tie Wire Form 19 75 Mech
10	532130468	Link Drag Sol Ball Jt 20 064	33	532126847	Bushing Link Drag Blk LR
11	810040600	Washer Lock Hvy Hlcl Spr 3/8	34	819131416	Washer 13/32 X 7/8 X 16ga
12	873610600	Nut Fin Hex 3/8-24 Unf	35	876020412	Pin Cotter 1/8 X 3/4 Cad
13	532110438	Spacer Bearing Axle Front	36	532132196	Bushing Strg 5/8 Id Dash
14	874011056	BOLT Hex 5/8-11 Unc X 3-1/2	37	817431008	Screw Slftp #10-16 X 1/2 Ty-b
15	873901000	Nut Lock Flange 5/8-11 Unc	38	532126805	Insert Cap Strg Wh Au Gen Blk
16	532132624	Pin Axle 5/8 X 1 55/1 54 Lg	39	819133808	Washer 13/32 X 2-3/8 X 8 Ga
17	532132614	Shaft Asm Strg 5/8 X 15 19 LT	40	532124701	Nut Lock Center 3/8-24unf
18	532057079	Washer Thrust 515x 750x 033	41	532104820	Adaptor Wheel Strg 640/ 635id
19	532124035	Support Shaft	42	532124418	Boot Shaft Steering Blk
20	532126684	Washer Shim 1/4 X 5/8 X 062	43	532121749	Washer 25/32 X 1 1/4 X 16 Ga
21	810040400	Washer Lock Hvy Helical 1/4	44	532121748	Washer 25/32 X 1-5/8 X 16ga
22	871070410	Screw Hex Socket 1/4-20 X 5/8	45	812000029	Ring Klip #t5304-75
23	532127501	Shaft Asm Pittman	46	532121232	Cap Spindle Fr Top Blk
			47	532124836	Fitting Grease

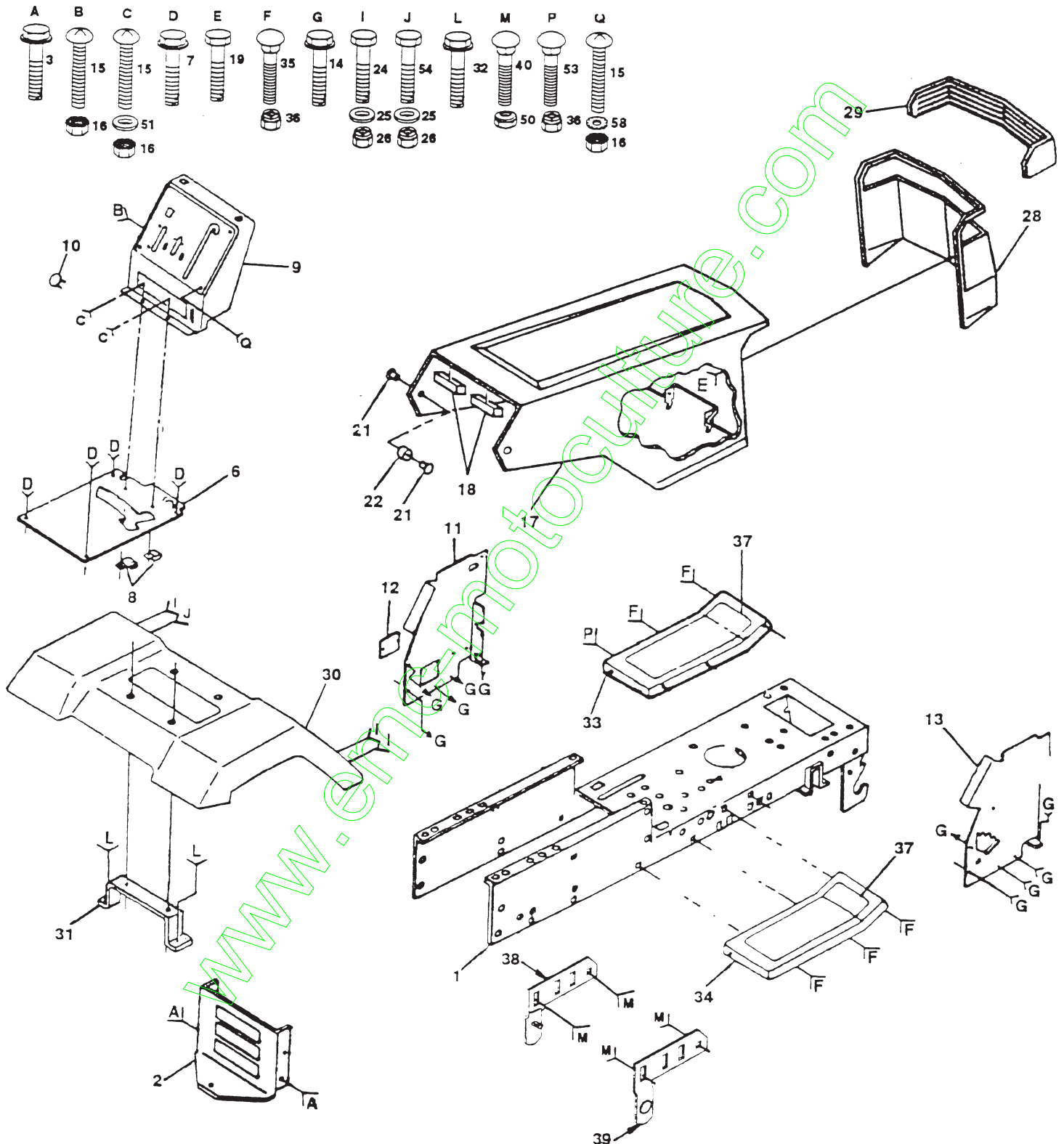
NOTE: All component dimensions given in U.S. inches.
1 inch = 25.4 mm

www.emc-motocycle.com

REPAIR PARTS

15 HP 42" TRACTOR- -MODEL NO. BL1542LTH (BL1542LTHA),
PRODUCT NO. 954 00 24-11

CHASSIS / ENCLOSURES



REPAIR PARTS

15 HP 42" TRACTOR- -MODEL NO. BL1542LTH (BL1542LTHA),
PRODUCT NO. 954 00 24-11

CHASSIS / ENCLOSURES

KEY NO.	PART NO.	DESCRIPTION	KEY NO.	PART NO.	DESCRIPTION
1	532140341	Chassis Wldmt LT/HYD/FEN 11ga	26	873680600	Nut Crownlock 3/8-16 Unc
2	532140356	Drawbar Stretch 94	27	817490608	Screw Thdrol 3/8-16x1/2 Ty-tt
3	817490612	Screw Thdrol 3/8-16x3/4 Ty-tt	28	532123915	Grille Grey
6	532140169	Saddle LT Fender/shf	29	532124029	Lens Headlight Bar Clear
7	817490612	Screw Thdrol 3/8-16x3/4 Ty-tt	30	532141324	Fender Pnt LT W/shf W/ign
8	532124996	Clip Line Fuel 10/32 mtg hole	31	532136619	Bracket Fender Repl 109873x
9	532141323	Dash 1-pc Mech 94	32	817490612	Screw Thdrol 3/8-16x3/4 Ty-tt
10	532005479	Plug Button Blk 359 Dia Choke	33	532124899	Footrest Pnt LH (Husq Gray)
11	532122795	Panel Dash LH	34	532124914	Footrest Pnt RH (Husq Gray)
12	532121794	Cover Access Black Square	35	872110606	BOLT Rdhd Sht Sqnk 3/8-16 X3/4
13	532124031	Panel Dash RH Weldment	36	873680600	Nut Crownlock 3/8-16 Unc
14	817490608	Screw Thdrol 3/8-16x1/2 Ty-tt	37	532108256	Pad Footrest Rbr Sq Generic
15	874180512	Screw Mach TRHD 5/16-18uncx3/4	38	532134774	Bracket Asm Pvt42 LH MWR Rear
16	873510500	Nut Keps 5/16-18 Unc	39	532134775	Bracket Asm Pvt42 RH MWR Rear
17	532125153	Hood Asm Pnt Weid Yel Slope	40	872140608	BOLT Rdhd Sqnk 3/8-16unc X 1
18	532126938	Bumper Hood	50	873800600	Nut Lock Hex W/wsh 3/8-16unc
19	817521310	Screw sltd hex hd w/PI Washer	51	819131216	Washer 13/32 X 3/4 X 16ga
21	532122933	Rivet Ratchet Nylon	53	872140608	BOLT Rdhd Sqnk 3/8-16unc X 1
22	532124479	Washer Nylon Blk 28x 75x 19	54	874760614	BOLT Fin Hex 3/8-16unc X 7/8
24	874760612	BOLT Fin Hex 3/8-16unc X 3/4	58	811050600	Washer Lock Ext. Tooth 3/8
25	819131312	Washer 13/32 X 13/16 X 12 Ga			

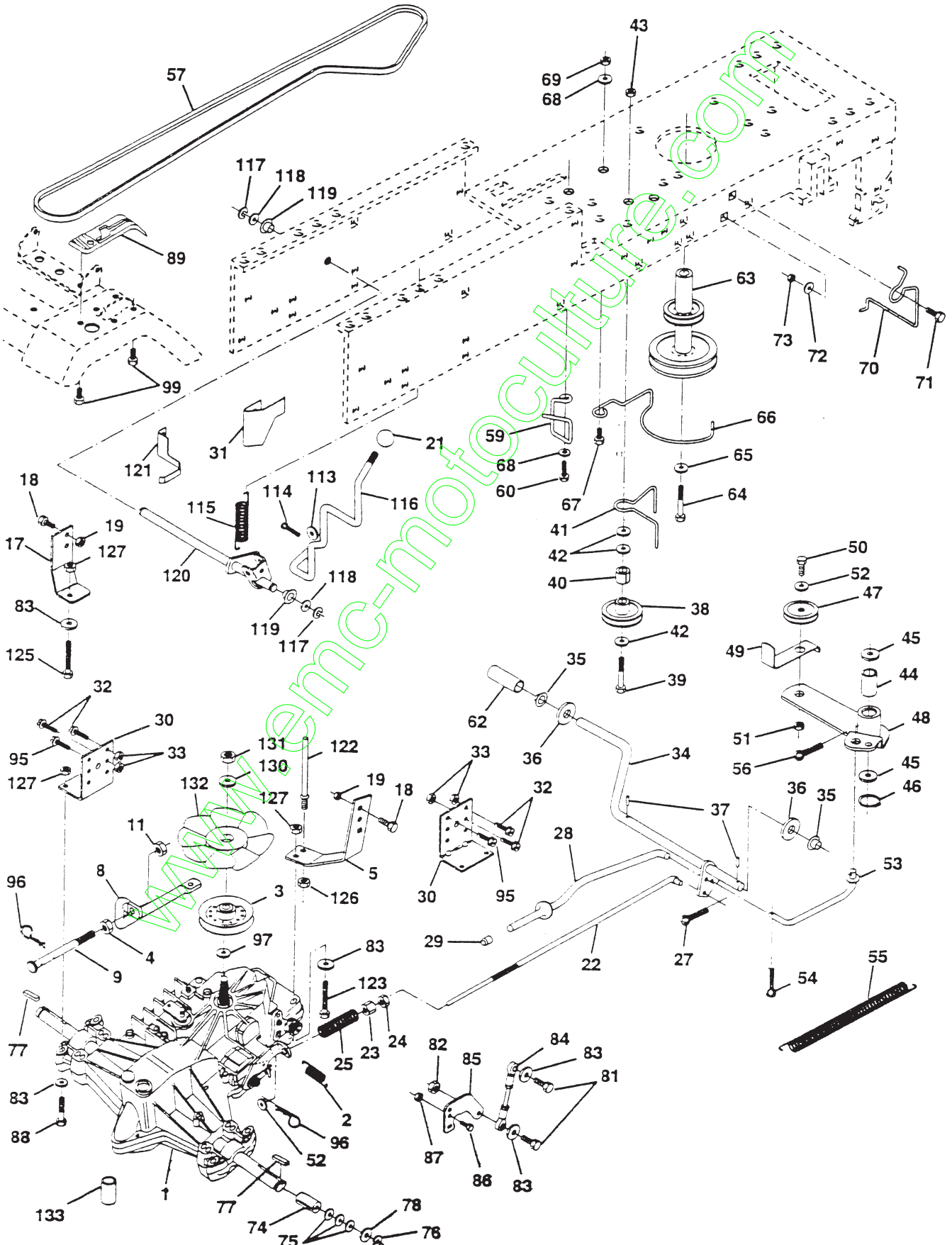
NOTE: All component dimensions given in U.S. inches.
1 inch = 25.4 mm

www.emc-moto.com

REPAIR PARTS

15 HP 42" TRACTOR- -MODEL NO. BL1542LTH (BL1542LTHA),
PRODUCT NO. 954 00 24-11

DRIVE



REPAIR PARTS

15 HP 42" TRACTOR- -MODEL NO. BL1542LTH (BL1542LTHA),
PRODUCT NO. 954 00 24-11

DRIVE

KEY NO.	PART NO.	DESCRIPTION	KEY NO.	PART NO.	DESCRIPTION
1	532140295	Transaxle Assembly	63	532140186	Pulley, Engine
2	532142431	Spring, Return, Brake	64	871170764	Bolt, Hex
3	532140293	Pulley, Transaxle	65	810040700	Washer
4	873350500	Nut Hex Jam 5/16-18 Unc	66	532129221	Keeper Belt Engine 129921
5	532140157	Strap Torque Rh Hydro 18/20" T	67	874760616	Bolt
8	532141343	Control Bypass Hydro 18" Tires	68	819131312	Washer 13/32 x 13/16 x 12 Gauge
9	532140550	Rod Bypass Hydro 18/20"	69	873680600	Nut
11	873800500	Nut Lock Hex W/Ins 5/16-18 Unc P	70	532134683	Keeper Belt Engine
17	532140158	Strap Torque Lh Hydro 18/20" T	71	874760616	Bolt Hex 3/8-16 x 1
18	874780616	Bolt Fin Hex 3/8-16 Unc x 1 Gr. 5	72	819132012	Washer 13/32 x 1-1/4 x 12 Gauge
19	873800600	Nut Lock Hex W/Wsh 3/8-16 Unc	73	873680600	Nut Crownlock 3/8-16
21	532140845	Knob 1/2-13	74	532121199	Spacer, Split
22	532140217	Rod, Brake Hydro	75	532121749	Washer 25/32 x 1-1/4 x 16 Gauge
23	873350600	Nut	76	812000001	E-Ring
24	873800600	Locknut	77	532123583	Key, Square
25	532106888	Spring, Brake Rod	78	532121748	Washer 25/32 x 1-5/8 x 16 Gauge
27	876020412	Pin Cotter 1/8 x 3/4 CAD.	81	874780520	Bolt Fin Hex 5/16-18 Unc x 1-1/4
28	532140448	Rod, Parking Brake	82	873800500	Nut Lock Hex W/Ins. 5/16-18 Unc P
29	532071673	Cap, Parking Brake	83	819111216	Washer 11/32 x 3/4 x 16 Ga.
30	532130807	Bracket, Transaxle	84	532141392	Rod, Tie Hydro 18" Tires
31	532127275	Keeper Belt Lh	85	532140156	Arm, Control Hydro
32	874760512	Bolt Hex Hd 5/16-18 Unc x 3/4	86	871070516	Screw Cap Hex 5/16 x 18 x 1
33	873800500	Nut Lock Hex W/Ins. 5/16-18 Unc	87	873800500	Nut Lock Hex W/Ins. 5/16-18 Unc P
34	532122424	Shaft, Foot Pedal	88	874780544	Bolt Fin Hex 5/16-18 Unc
35	532120183	Bearing, Nylon	89	532139988	Console, Shift
36	819211616	Washer	95	817490612	Screw, Thdroll. 3/8-16 x 1 Type TT
37	532124963	Pin, Roll	96	532124788	Retainer Spring 1" Zinc/Cad
38	532123674	Pulley, Idler, Flat	97	819211616	Washer 21/32 x 1 x 16 Ga.
39	874760644	Bolt	99	532142432	Screw
40	532124965	Spacer, Split	113	819171216	Washer 17/32 x 3/4 x 16 Ga.
41	532109070	Keeper, Belt Retainer	114	876020416	Pin Cotter 1/8 x 1 CAD
42	819131312	Washer 13/32 x 13/16 x 12 Gauge	115	532123782	Spring Torsion T/A
43	873800600	Nut	116	532141003	Rod Shift Hydro LT
44	532105706	Bearing, Nylon	117	812000008	Ring Klip #5304-62
45	532110812	Washer, Hardened	118	819212016	Washer 21/32 x 1-1/4 x 16 Ga.
46	812000039	Ring, Klip	119	532071208	Bushing Rod Strig. 629/632 ID
47	532127783	Pulley, Idler, V-Groove	120	532140154	Shaft Asm. Cross Hydro 20" Tires
48	532123789	Bellcrank Assembly	121	532140470	Keeper Bolt Lh Hydro 0750. 18/20"
49	532123205	Retainer, Belt	122	532140469	Keeper Bolt Rh Hydro 0750. 18/20"
50	874760624	Bolt	123	874780536	Bolt Fin Hex 5/16-18 x 2-1/4
51	873680600	Nut	125	874780524	Bolt Fin Hex 5/6-18 Unc x 1-1/2
52	819131316	Washer	126	873510600	Nut Keps Hex 3/8-16 Unc
53	532105710	Link, Clutch	127	873800500	Nut Lock Hex W/Ins 5/16-18 Unc P
54	876020412	Pin	130	532141322	Washer Beliville .501D x 1.50D
55	532105709	Spring, Return, Clutch	131	532050831	Nut Nylon Insert 1/2-20 Unf.
56	876020412	Pin	132	532140462	Fan, Hydro 7"
57	532140294	V-Belt, Ground Drive	133	532142564	Line Fuel Hydro 4"
59	532140312	Keeper, Center Span			
60	817490612	Screw Thdrol. 3/8-16 x 3/4 Ty. TT			
62	532008883	Cover, Pedal			

NOTE: All component dimensions give in U.S. inches.
1 inch = 25.4 mm.