

# ILLUSTRATED PARTS BREAKDOWN

**BERNARD**

**16.5 HP LAWN TRACTOR**

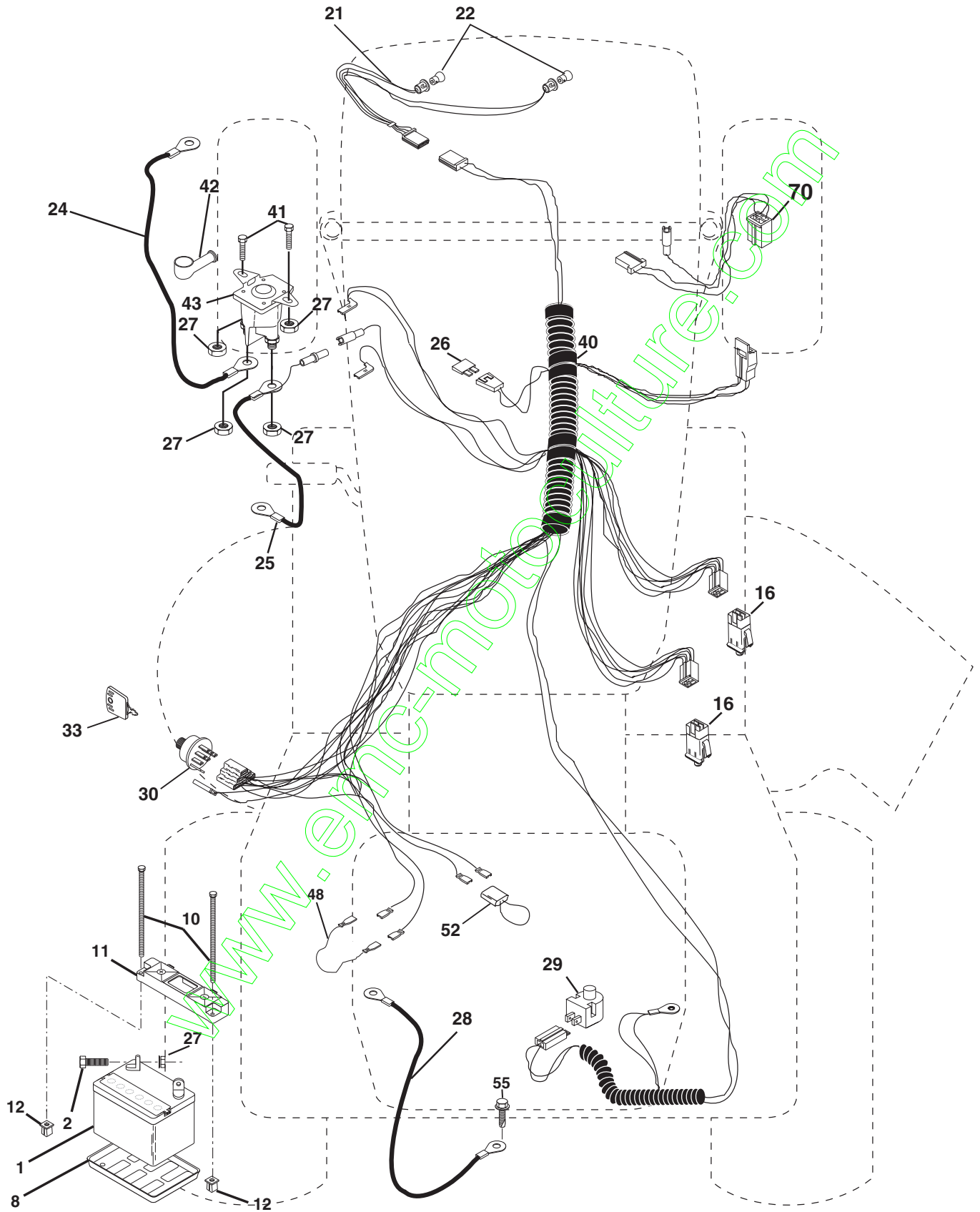
**MODEL NO. BL16542ST (BL16542STA)**

**954 21 00-26**

[www.emc-motoculture.com](http://www.emc-motoculture.com)

# REPAIR PARTS

TRACTOR - - MODEL NO. BL16542ST (BL16542STA), PRODUCT NO. 954 21 00-26  
ELECTRICAL



# REPAIR PARTS

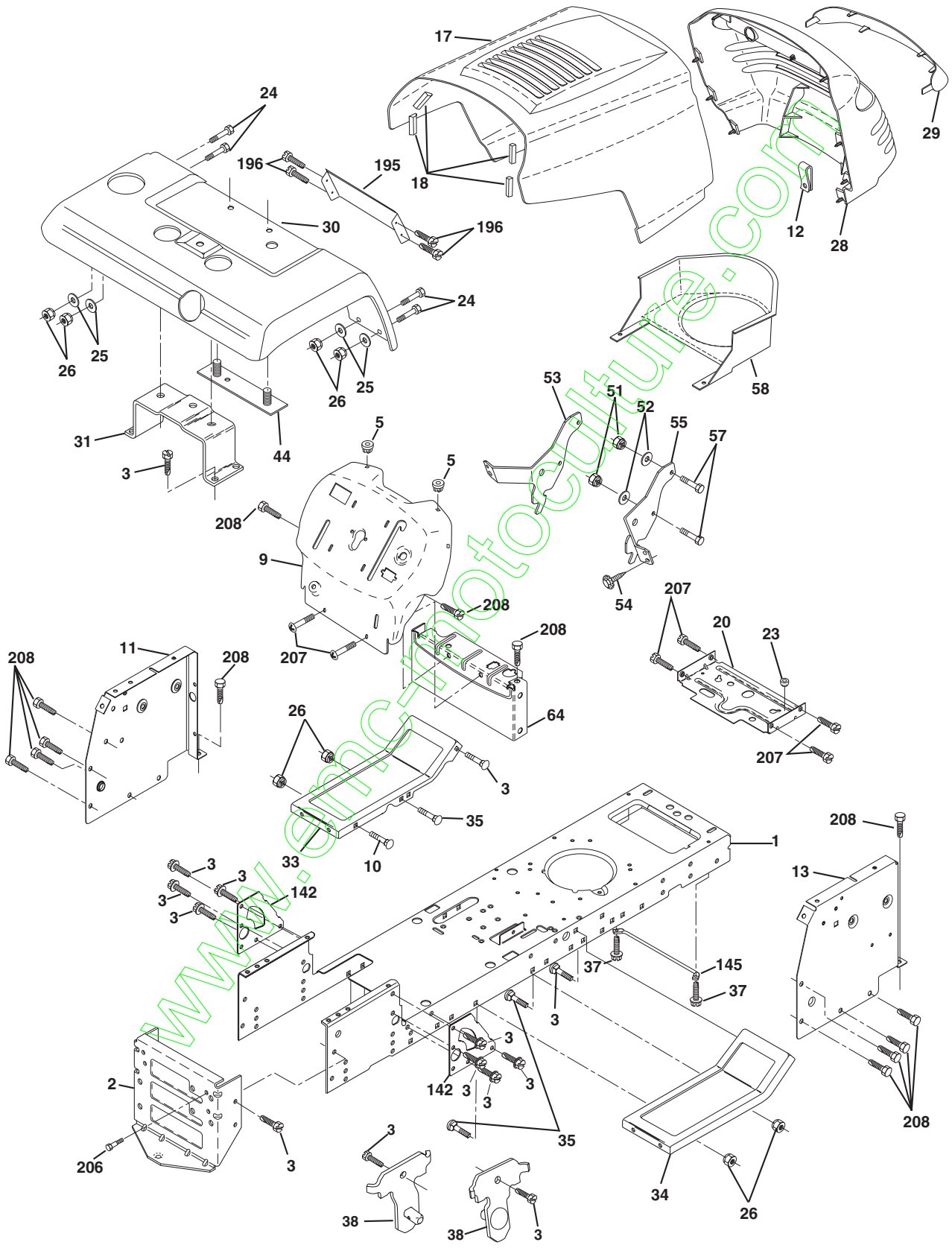
TRACTOR - - MODEL NO. BL16542ST (BL16542STA), PRODUCT NO. 954 21 00-26  
ELECTRICAL

KEY PART NO.	NO.	DESCRIPTION
1	163465	Battery
2	74760412	Bolt Hex Hd 1/4-20unc X 3/4
8	7603J	Tray Battery
10	145211	Bolt Battery Front 1/4-20 x 7.5 zinc
11	150109	Holddown Battery
12	145769	Nut Push Nylon 1/4" Battery Front
16	153664	Switch Interlock Push-In
21	166181	Harness Socket Light
22	4152J	Bulb, Light # 1156
24	4799J	Cable Battery
25	146148	Cable Battery
26	166180	Fuse 15 Amp
27	73510400	Nut Keps Hex 1/4-20 Unc
28	145491	Cable Ground
29	121305X	Switch Plunger Nc Gray
30	163968	Switch Ign
33	140401	Key Ign
40	170217	Harness Ign
41	71110408	Bolt Fin Hex 1/4-20uncx 1/2
42	131563	Cover Terminal Red
43	145673	Solenoid
48	140844	Adapter Ammeter
52	141940	Protection Loop
55	17490508	Screw Thdrol 5/16-18 x 1/2
70	170242	Harness Engine

**NOTE:** All component dimensions given in U.S. inches  
1 inch = 25.4 mm

# REPAIR PARTS

TRACTOR - - MODEL NO. BL16542ST (BL16542STA), PRODUCT NO. 954 21 00-26  
CHASSIS AND ENCLOSURES



# REPAIR PARTS

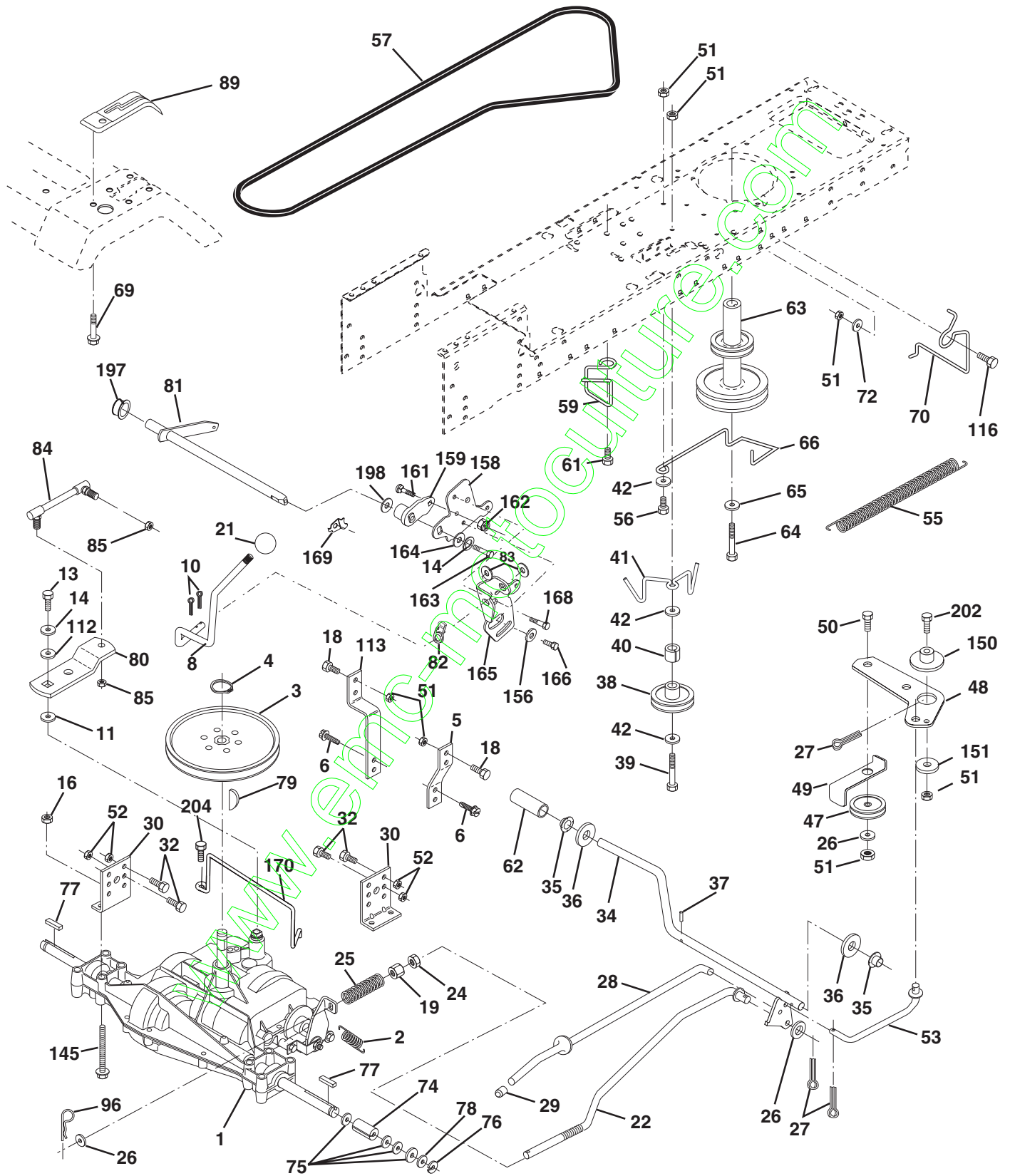
TRACTOR - - MODEL NO. BL16542ST (BL16542STA), PRODUCT NO. 954 21 00-26  
CHASSIS AND ENCLOSURES

KEY NO.	PART NO.	DESCRIPTION
1	169830	Chassis
2	169061	Drawbar, Stretch
3	17060612	Screw 3/8-16x.75
5	155272	BumperHood/Dash
9	168336X010	Dash
10	72140608	Bolt Carriage 3/8-16 x 1
11	155927	Panel Dash Lh
12	145660	Clip Tinnerman
13	169117X010	Panel Dash Rh
17	159639X421	Hood
18	126938X	BumperHood
20	156437	Plate Mtg Battery Fuel Tank Fr
23	124028X	Bushing
24	74780616	Bolt Fin Hex 3/8-16 x 1 Gr 5
25	19131312	Washer 13/32 X 13/16 X 12 Ga
26	73800600	Nut Lock Hex W/Ins 3/8-16 Unc
28	157428	Grille LT/PL
29	146654X599	Lens LT/PL
30	168750X421	Fender Footrest
31	137113	Bracket Support Fender
33	145244X418	Footrest Pnt Lh
34	145243X418	Footrest Pnt Rh
35	72110606	Bolt Rdhd Sht Sqnk 3/8-16 x 3/4
37	17490508	Screw Thdrol 6/16-18 x 1/2 TYT
38	169833	Bracket, Pivot, Mower Rear
44	140675	Strap Asm Fender
51	73800400	Nut Lock Hex W/Ins 1/4-20
52	19091416	Washer 9/32 x 7/8 x 16 Ga.
53	144697	Bracket Grille Lh
54	161464	Screw Hex Wshd 8-18 x 7/8
55	144696	Bracket Grille Rh
57	74780412	Bolt Hex 1/4-20 x 3/4
58	140547	Duct Air
64	154798	Dash Lower STLT
142	165867	Plate Reinforcement STLT
145	156524	Rod Pivot Chassis/Hood
195	166822	Panel Fender
196	17580408	Screw Tap Tite 1/4-20 x 1/2
206	170165	Bolt Shoulder 5/16-18 TT
207	17670508	Screw Thdrol 5/16-18 x 1/2
208	17670608	Screw Thdrol 3/8-16 x 1/2
--	5479J	Plug Button

**NOTE:** All component dimensions given in U.S. inches  
1 inch = 25.4 mm

# REPAIR PARTS

TRACTOR - - MODEL NO. BL16542ST (BL16542STA), PRODUCT NO. 954 21 00-26  
DRIVE



# REPAIR PARTS

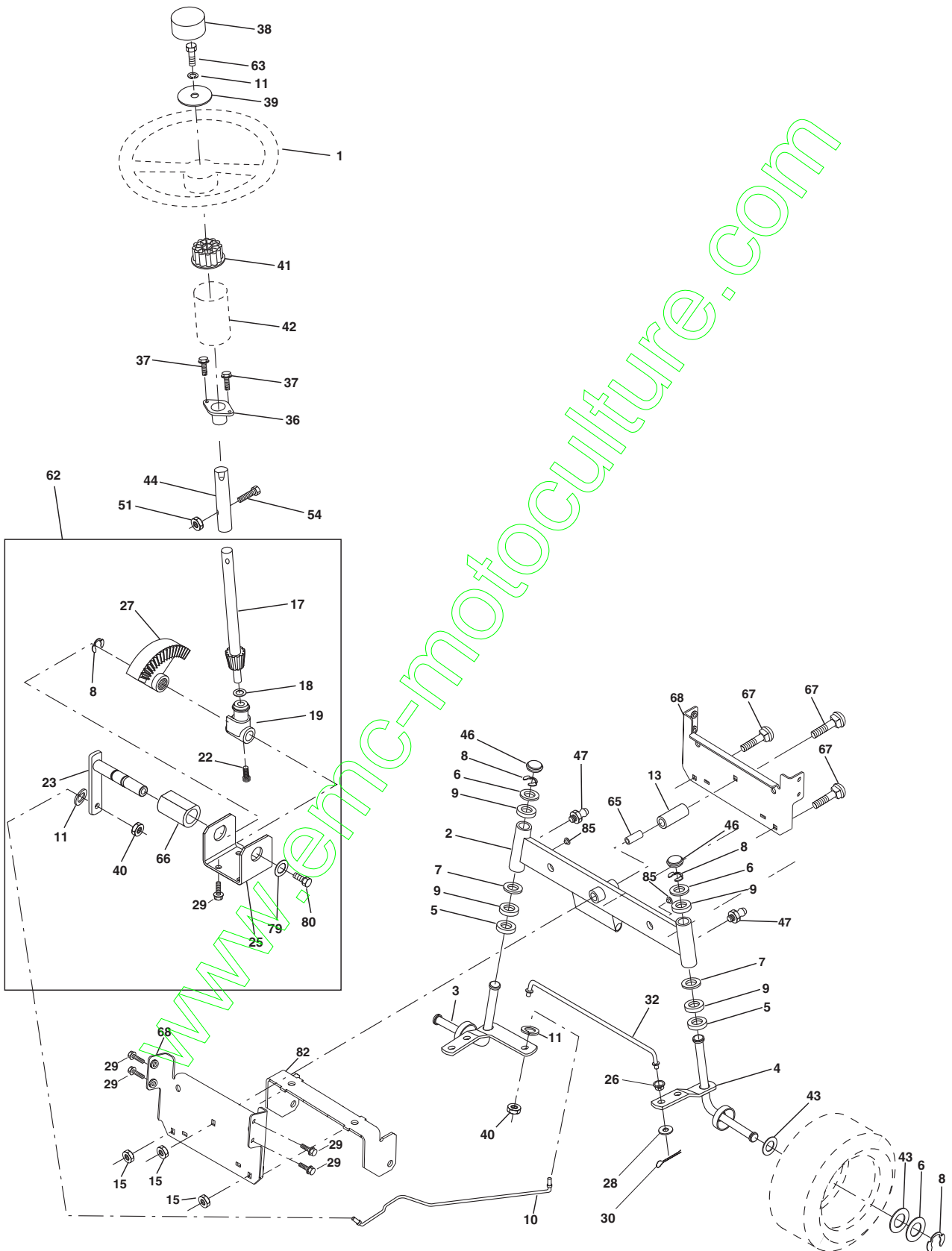
**TRACTOR - - MODEL NO. BL16542ST (BL16542STA), PRODUCT NO. 954 21 00-26  
DRIVE**

KEY NO.	PART NO.	DESCRIPTION	KEY NO.	PART NO.	DESCRIPTION
1	-----	Transaxle Peerless (206-545C) (Order parts from transaxle manufacturer)	63	140186	Engine Pulley LT/YT
2	146682	Spring Return Brake T/a Zinc	64	71170764	Bolt Hex
3	123666X	Pulley Transaxle 18" tires	65	10040700	Washer Lock Hvy Hlcl Spr 7/16
4	12000028	Ring Retainer # 5100-62	66	154778	Keeper Belt Engine Foolproof
5	121520X	Strap Torque 30 Degrees	70	134683	Guide Belt Mower Drive RH
6	17060512	Screw 5/16-18 X 3/4	72	19132012	Washer 13/32 X 1-1/4 X 12 Ga
8	166020	Rod Shift Fender Adjust	74	137057	Spacer Axle
10	76020416	Pin Cotter 1/8 X 1 Cad	75	121749X	Washer 25/32 X 1 1/4 X 16 Ga
11	105701X	Washer Plate Shf 388 Sq Hole	76	12000001	E-ring #5133-75
13	74550412	Bolt 1/4-28 Unf Gr 8 W/Patch	77	123583X	Key Square 2 0 X 1845/ 1865
14	10040400	Washer Lock Hvy Helical	78	121748X	Washer 25/32 X 1-5/8 X 16 Ga
16	73800500	Nut Lock Hex w/Ins 5/16-18 Unc	79	2228M	Key Woodruff #9 3/16 x 3/4
18	74780616	Bolt, Fin Hex 3/8-16 UNC x 1 Gr. 5	80	145090	Arm Shift
19	73800600	Nut Lock 3/8-16 Unc	81	165592	Shaft Asm Cross Tapered PMST/20
21	106933X	Knob	82	123782X	Spring Torsion T/a
22	130804	Rod Brake Blk Zinc 26 840	83	19171216	Washer 17/32 X 3/4 X 16 Ga
24	73350600	Nut Hex Jam 3/8-16 Unc	84	166231	Link Transaxle PMST/20" Zinc
25	106888X	Spring Rod Brake 2 00 Zinc	85	150360	Nut Lock Center 1/4 - 28 FNTHD
26	19131316	Washer 13/32 X 13/16 X 16 Ga	89	139991X428	Console Shift
27	76020412	Pin Cotter 1/8 X 3/4 Cad	90	124346X	Nut Self-thd Wsh-hd 1/4 Zinc
28	145204	Rod Brake Parking LT/YT	96	4497H	Retainer Spring 1"
29	71673	Cap Brake Parking	112	19091210	Washer 9/32 x 3/4 x 10 Ga.
30	130807	Bracket Mtg Transaxle	113	127285X	Strap Torque LT
32	74760512	Bolt Hex Hd 5/16-18unc X 3/4	116	72110610	Bolt Rdhd Sq Neck 3/8-16 x 1.25
34	155071	Shaft Asm Pedal Foot	145	74490540	Bolt Hex FLGHD 5/16-18 Gr. 5
35	120183X	Bearing Nylon Blk 629 Id	150	165850	Bushing Bellcrank
36	19211616	Washer 21/32 X 1 X 16 Ga	151	19133210	Washer 13/32 x 2 x 10
37	1572H	Pin Roll 3/16 X 1"	156	166002	Washer Srrtd 5/16ID x 1.125
38	131494	Pulley Idler Flat	158	165589	Bracket Shift Mount
39	72110622	Crownlock 3/8-16 X 2-3/4 Gr. 5	159	165494	Hub Tapered Flange Shift Lt
40	4470J	Spacer Split 395 X 59 Bzp	161	72140406	Bolt Rdhd Sqnk 1/4-20 x 3/4 Gr 5
41	165838	Keeper Belt Flat Idler	162	73680400	Nut Crownlock 1/4-20 Unc
42	19131312	Washer 13/32 X 13/16 X 12 Ga	163	74780416	Bolt Hex Fin 1/4-20 Unc x 1 Gr 5
47	127783	Pulley Idler V Groove Plastic	164	19091010	Washer 5/8 x .281 x 10 Ga
48	154407	Bellcrank Asm	165	165623	Bracket Pivot Lever
49	123205X	Retainer Belt Style Spring	166	166880	Screw 5/16-18 x 5/8
50	74760624	Bolt Hex Hd 3/8-16unc X 1-1/2	168	165492	Bolt Shoulder 5/16-18 x .561
51	73680600	Nut Crownlock 3/8-16 Unc	169	165580	Plate Fastening
52	73680500	Nut Crownlock 5/16-18 Unc	170	165849	Keeper Belt Transaxle Gear
53	105710X	Link Clutch	197	169613	Nyliner Snap-In
55	105709X	Spring Return Clutch 6 75	198	169593	Washer Nyliner
56	74760620	Bolt Fin Hx 3/8-16 X 1/4	202	72110612	Bolt Carriage Shoulder 3/8-16 x 1-1/2 Gr. 5
57	130801	V-Belt Ground Drive 95 25	204	17060516	Screw 5/16-18 x 1
59	169691	Keeper Belt Span Ctr			
61	17060612	Screw 3/8-16x.75			
62	8883R	Cover Pedal Blk Round			

**NOTE:** All component dimensions given in U.S. inches  
1 inch = 25.4 mm

# REPAIR PARTS

TRACTOR - - MODEL NO. BL16542ST (BL16542STA), PRODUCT NO. 954 21 00-26  
STEERING ASSEMBLY





# REPAIR PARTS

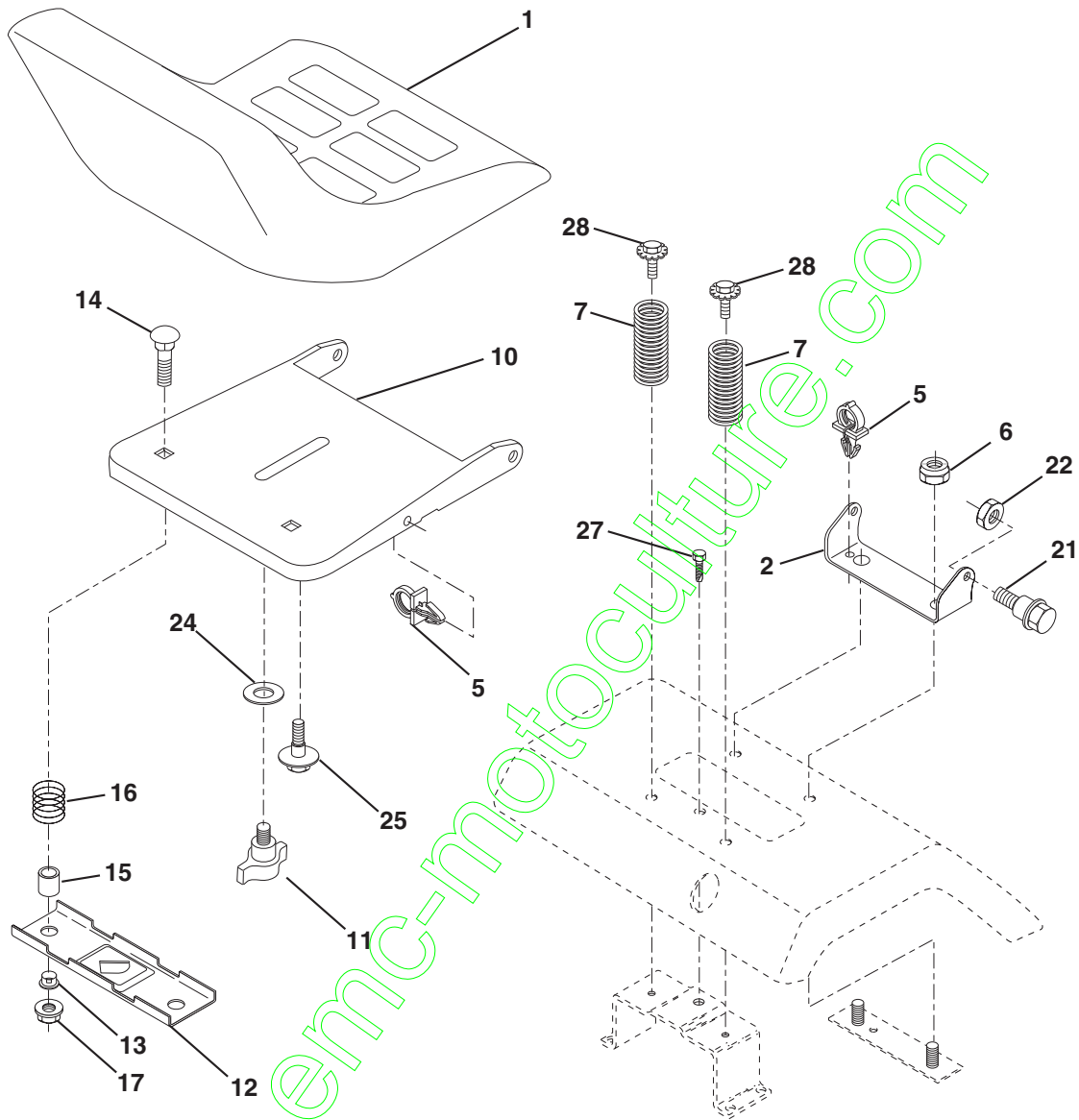
TRACTOR - - MODEL NO. BL16542ST (BL16542STA), PRODUCT NO. 954 21 00-26  
STEERING ASSEMBLY

KEY NO.	PART NO.	DESCRIPTION
1	139768	Wheel Steering
2	154427	Axle Asm Stmp Dropped STLT
3	169840	Spindle Asm LH
4	169839	Spindle Asm RH
5	6266H	Bearing Race Thrust Harden
6	121748X	Washer 25/32 X 1-5/8 X 16 Ga
7	19272016	Washer 27/32 X 1-1/4 X 16 Ga
8	12000029	Ring Klip #t5304-75
9	3366R	Bearing Col Strg Blk
10	169832	Link Drag
11	10040600	Washer Lock Hvy Hlcl Spr 3/8
13	136518	Spacer Bearing Axle Front
15	145212	Hex Lock Flange
17	156546	Shaft Asm Strg
18	57079	Washer Thrust 515x750x.033
19	160395	Support Shaft
22	165857	Screw Hex Wsh Hd Torx
23	165851	Shaft Asm Pittman
25	154406	Bracket Steering
26	126847X	Bushing Link Drag
27	136874	Gear Sector
28	19131416	Washer 13/32 x 7/8 x 16 Ga.
29	17060612	Screw 3/8-16x.75
30	76020412	Pin Cotter 1/8 x 3/4 Cad.
32	130465	Rod Tie
36	155099	Bushing Strg
37	152927	Screw
38	140175	Insert Cap Strg Wh
39	19133812	Washer 13/32 X 2-3/8 X 12 Ga
40	7810H	Lock nut
41	100711L	Adaptor Wheel Strg
42	145054X428	Boot Steering Dash
43	121749X	Washer 25/32 X 1 1/4 X 16 Ga
44	153720	Extension Steering Shaft LR/LT
46	121232X	Cap Spindle Fr Top Blk
47	6855M	Fitting Grease
51	73800500	Nut Lock Hex w/Ins 5/16-18
54	74780520	Bolt Fin Hex 5/16-18 Unc x 1-1/4
62	167902	Kit, Steering Assembly Svc
63	74780616	Bolt Fin Hex 3/8-16unc x 1 Gr. 5
65	160367	Spacer Brace Axle
66	154404	Bearing Arm Pittman
67	72110618	Bolt Rdhd Sqnk 3/8-16 x 2-1/4
68	169827	Axle, Brace
79	19132012	Washer 13/32 x 1-1/4 x 12 Ga.
80	74950612	Bolt Hex Nylon 3/8-16 x 3/4
82	169835	Bracket Suspension Chassis Front
85	133835	Fastener Christmas Tree

**NOTE:** All component dimensions given in U.S. inches  
1 inch = 25.4 mm

# REPAIR PARTS

TRACTOR - - MODEL NO. BL16542ST (BL16542STA), PRODUCT NO. 954 21 00-26  
SEAT ASSEMBLY



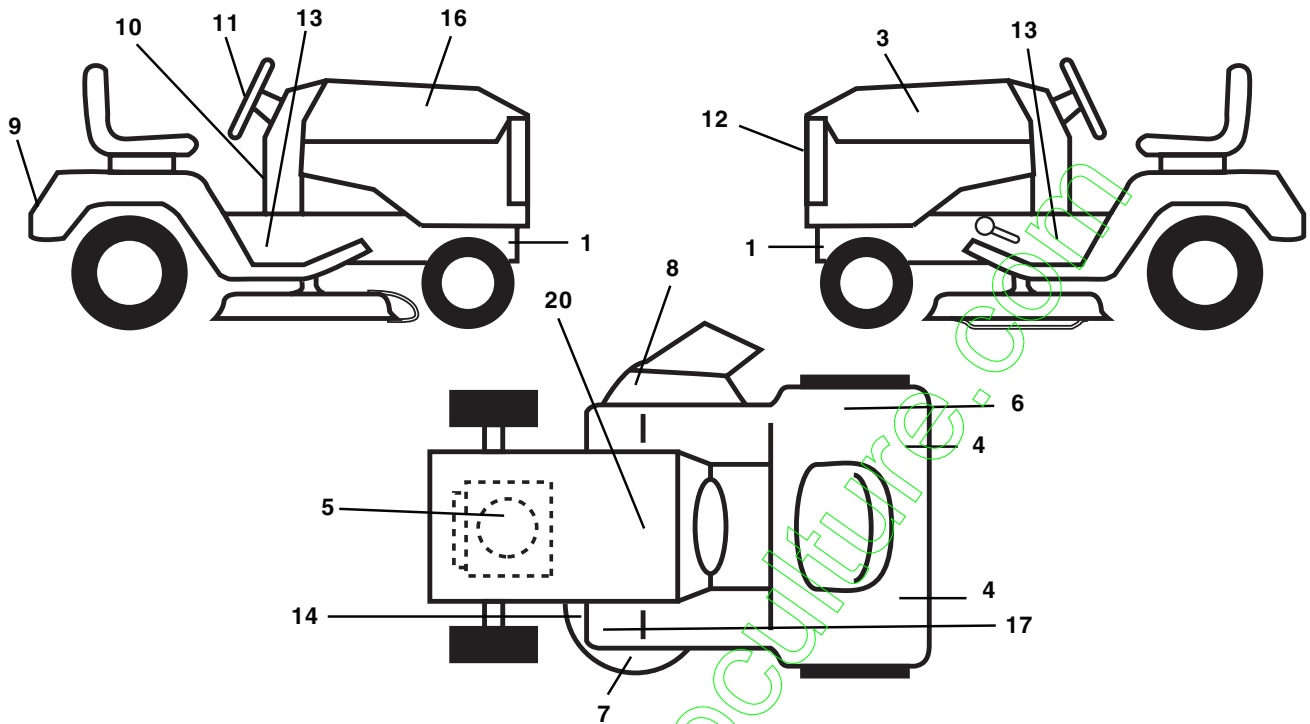
KEY NO.	PART NO.	DESCRIPTION
1	140117	Seat
2	140551	Bracket Pivot Seat 8 720
3	74760616	Bolt Fin Hex 3/8-16unc X 1
4	19131610	Washer 13/32 X 1 X 10 Ga
5	145006	Clip Push-In
6	73800600	Nut Hex w/Ins. 3/8-16 Unc
7	124181	Spring Seat Cprsn 2 250 Blk Zi
8	17060616	Screw 3/8-16 X 1.5
9	19131614	Washer 13/32 X 1 X 14 Ga.
10	155925	Pan Seat
11	166369	Knob Seat
12	121246X	Bracket Mounting Switch
13	121248X	Bushing Snap Blk Nyl 50 Id

KEY NO.	PART NO.	DESCRIPTION
14	72050412	Bolt Rdhd Sqnk 1/4-20x1-1/2
15	134300	Spacer Split 28x 88
16	121250X	Spring Cprsn
17	123976X	Nut Lock 1/4 Lge Flg Gr 5 Zinc
21	171852	Bolt Shoulder
22	73800500	Nut Hex Lock W/Ins 5/16-18
24	19171912	Washer 17/32 X 1-3/16 X 12 Ga.
25	127018X	Bolt Shoulder 5/16-18 X 62
27	17490608	Screw Thdrol 3/8-16 x 1/2
28	171877	Bolt 5/16-18 Unc x 3/4

**NOTE:** All component dimensions given in U.S. inches  
1 inch = 25.4 mm

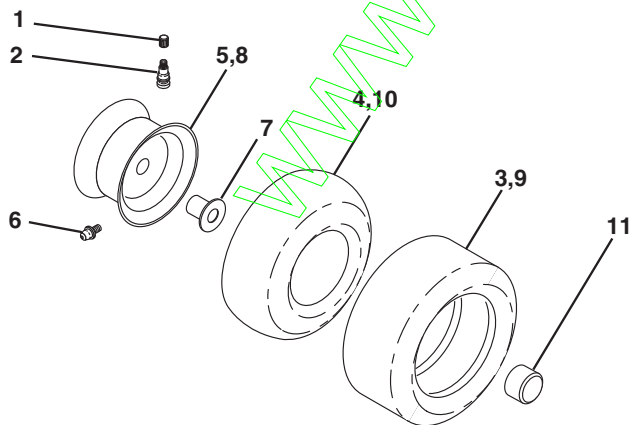
# REPAIR PARTS

TRACTOR - - MODEL NO. BL16542ST (BL16542STA), PRODUCT NO. 954 21 00-26  
DECALS



KEY NO.	PART NO.	DESCRIPTION	KEY NO.	PART NO.	DESCRIPTION
1	159736	Decal Hot Muffler	12	166287	Decal Grille
3	171001	Decal Hood LH	13	157624	Decal Chassis
4	106202X	Reflector, Taillight	14	160396	Decal V-Belt Schematic
5	165836	Decal HP Engine	15	168763	Decal Fender Side Rh
6	145437	Decal Europe Stand CE	16	171000	Decal Hood Rh
7	135013	Decal Enviro	17	159737	Decal Clutch/Brake
8	145494	Decal Warning	20	145005	Decal Bat Dan/Psn
9	166708	Decal Fender Logo	--	162598	Decal Drawbar
10	140837	Decal Brake Parking Saddle	--	157199X428	Pad Footrest
11	166285	Decal Ins Strg Whl	--	138311	Decal Handle Lft Height Adjust
			--	171729	Manual Oper. (Euro)

## WHEELS AND TIRES

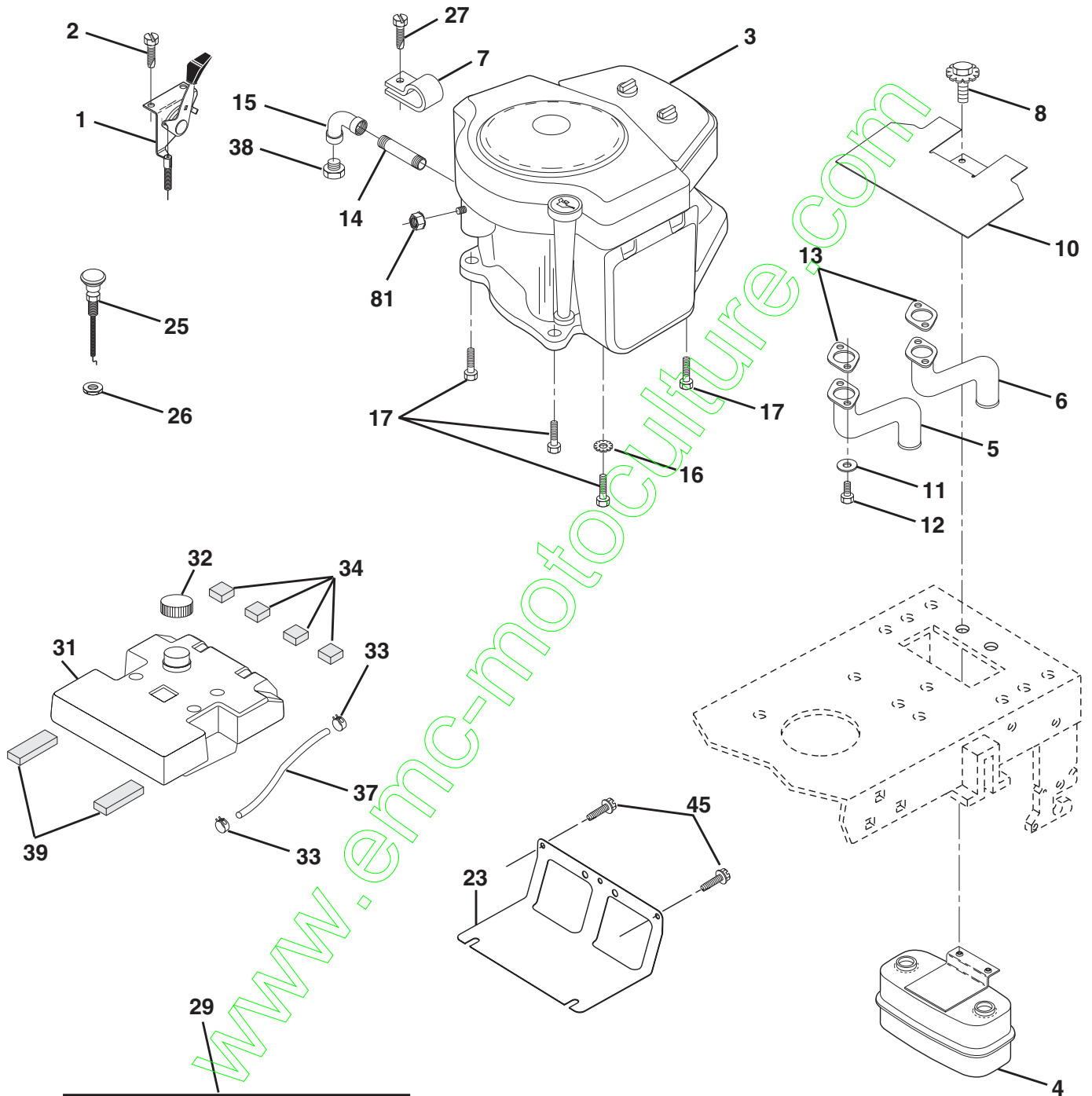


KEY NO.	PART NO.	DESCRIPTION
1	59192	Cap Valve Tire
2	65139	Stem Valve
3	106222X	Tire F Ts 15 X 6 0 - 6 Service
4	59904	Tube Front (Service Item Only)
5	106732X421	Rim Asm 6"front Service
6	278H	Fitting Grease (Front Wheel Only)
7	9040H	Bearing Flange (Front Wheel Only)
8	106108X421	Rim Asm 8"rear Service
9	122082X	Tire R Ts 20x10-8 C Service
10	7152J	Tube Rear (Service Item Only)
11	104757X	Cap Axle Blk 1 50 X 1 00
--	144334	Sealant, Tire ( 10 oz. Tube)

**NOTE:** All component dimensions given in U.S. inches  
1 inch = 25.4 mm

# REPAIR PARTS

TRACTOR - - MODEL NO. BL16542ST (BL16542STA), PRODUCT NO. 954 21 00-26  
ENGINE



**OPTIONAL EQUIPMENT**  
**Spark Arrester**

# REPAIR PARTS

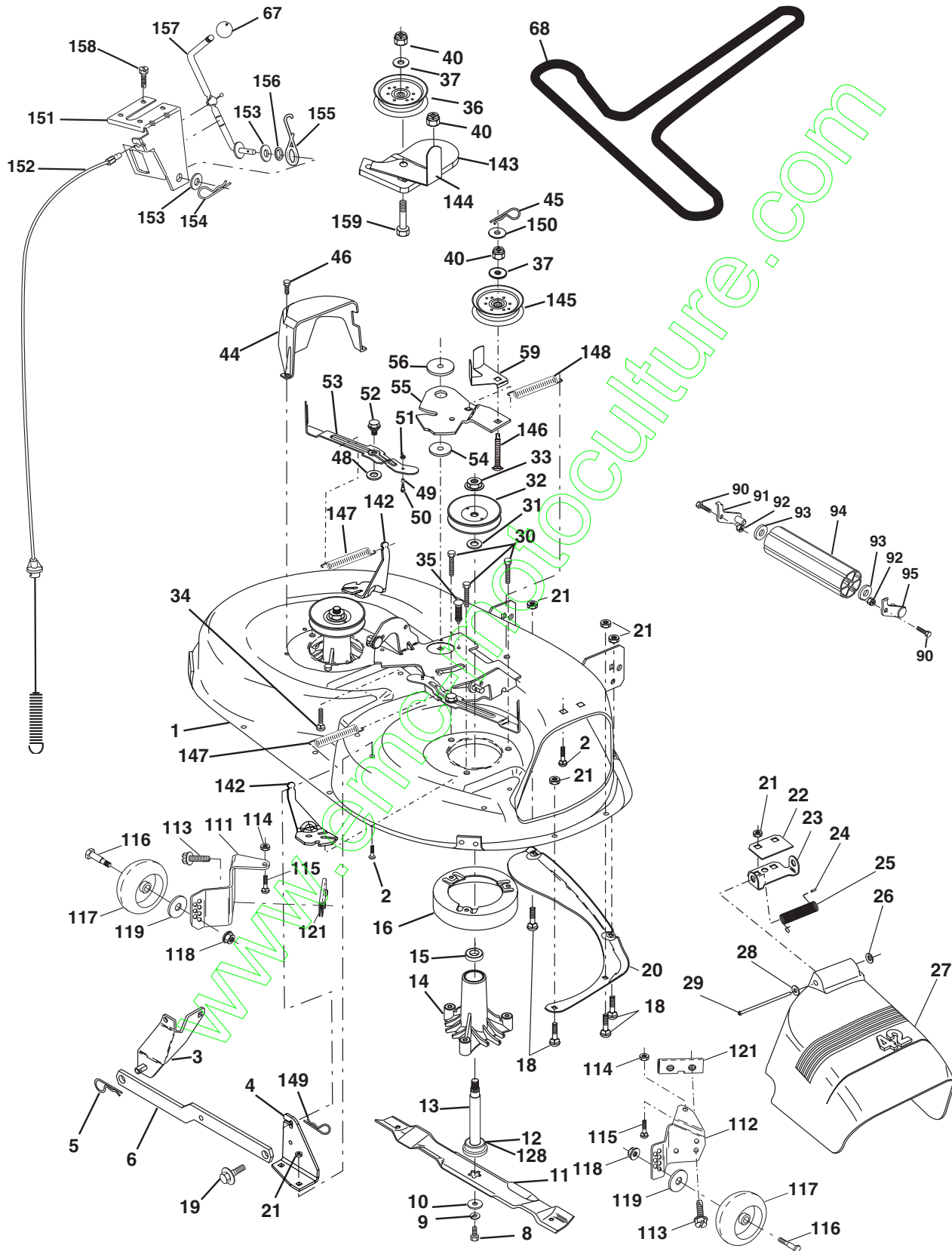
TRACTOR - - MODEL NO. BL16542ST (BL16542STA), PRODUCT NO. 954 21 00-26  
ENGINE

KEY NO.	PART NO.	DESCRIPTION
1	141295	Control Throttle
2	17720410	Screw Hex Thd Cut 1/4-20x5/8 T
3	-----	Engine, Briggs Model 42D777 (Order Parts From Engine Manufacturer)
4	149723	Muffler Exhaust
5	144069	Exhaust Asm. Left
6	144068	Exhaust Asm. Right
7	138129	Clamp Tube Double Engine
8	150176	Bolt 5/16-18 Unc x 3/4 w/sems
10	145552	Shield Heat
11	10040400	Washer Lock Hvy Helical 1/4
12	74780412	Bolt Fin Hex 1/4-20 Unc x .75
13	165287	Gasket Muffler
14	13280336	Nipple Pipe 4-12"
15	13200300	Elbow Std 90 Degree 3/8-18 Npt
16	11050600	Washer Lock Ext Tooth 3/8
17	17490624	Screw Thdrol 3/8-16 x 1-1/2 Tytt
23	169837	Shield Brn/Dbr Guard
25	145996	Control Choke
26	73920600	Nut Keps 3/8-24 Unf
27	152927	Screw
29	137180	Arrestor Spark
31	151346	Tank Fuel
32	140527	Cap Fuel
33	123487X	Clamp Hose Black
34	106082X	Pad Spacer
37	8543R	Line Fuel
38	-----	Plug Oil Drain (Order From Engine Manufacturer)
39	109227X	Pad Idler
40	124028X	Bushing Snap Nyl Blk Fuel Line
45	17060612	Screw 3/8-16 x .75
81	128861	Nut Flange 1/4-20 Starter Nut

**NOTE:** All component dimensions given in U. S. inches  
1 inch = 25.4 mm

# REPAIR PARTS

TRACTOR - - MODEL NO. BL16542ST (BL16542STA), PRODUCT NO. 954 21 00-26  
MOWER DECK



# REPAIR PARTS

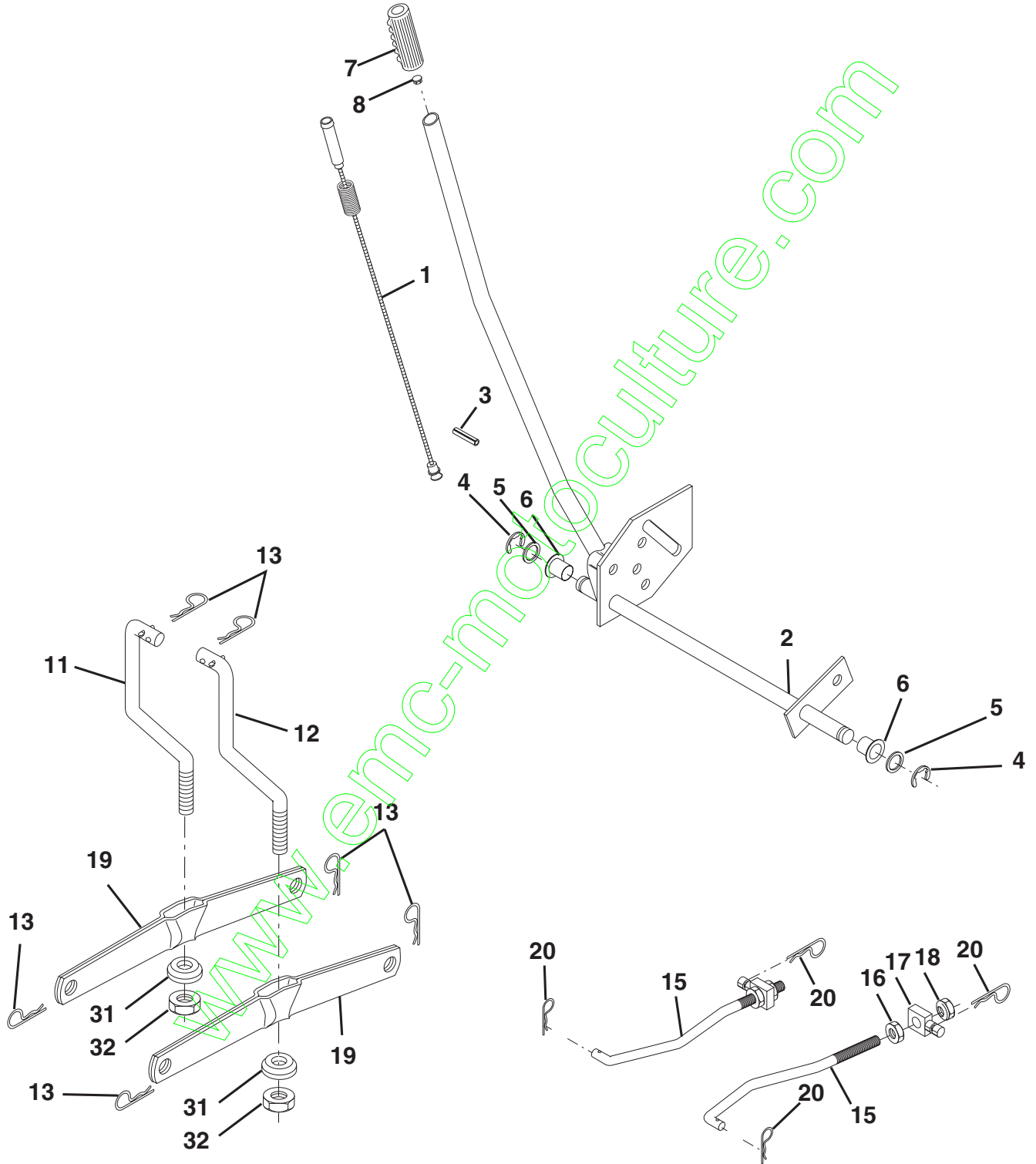
**TRACTOR - - MODEL NO. BL16542ST (BL16542STA), PRODUCT NO. 954 21 00-26  
MOWER DECK**

KEY NO.	PART NO.	DESCRIPTION	KEY NO.	PART NO.	DESCRIPTION
1	165892	Mower Deck Assembly, 42"	49	155066	Roller Assembly, Cam Follower
2	72140506	Bolt	50	131340	Bolt, Shoulder #10-24 Grade 5
3	138017	Bracket Asm Fr. Sway Bar 3/42	51	69180	Locknut
4	165460	Bracket Asm Deck 42" Sway Bar	52	139888	Bolt, Shoulder 5/16-18 UNC
5	4939M	Retainer Spring	53	131845	Arm Assembly, Pad, Brake
6	130832	Arm, Suspension, Rear	54	133943	Washer, Hardened
8	850857	Bolt 3/8-24 x 25 Grade 8 patched	55	155046	Arm, Idler
9	10030600	Washer, Lock	56	165723	Spacer, Retainer PM Mower
10	140296	Washer, Hardened	59	141043	Guard TUV Idler
11	138498	Blade, 42"	67	106923X	Knob
12	129895	Bearing, Ball #6204	68	144959	V-Belt, 42" Mower
13	137645	Shaft Assembly, Mandrel, Vented	90	74760616	Bolt Fin Hex 3/8-16 x 1
14	128774	Housing, Mandrel, Vented	91	132274	Bracket Asm Lh
15	110485X	Bearing, Ball, Mandrel	92	73800600	Nut, Lock, Hex W/Ins 3/8-16 UNC
16	140329	Stripper, Vented Mower Deck	93	19171416	Washer 17/32 x 7/8 x 16
18	72140505	Bolt, Carriage 5/16-18 x 5/8	94	132264	Roller Nose
19	132827	Bolt, Shoulder	95	132273	Bracket Asm Rh
20	159770	Baffle, Vortex	111	155197	Bracket, Gauge, Wheel LH
21	73680500	Nut	112	155198	Bracket, Gauge, Wheel RH
22	134753	Stiffener Bracket	113	17060512	Screw 5/16 - 18 x 3/4
23	131267	Bracket, Deflector Mower 42"	114	73510500	Nut, Keps 5/16 - 18 UNC
24	105304X	Cap, Sleeve 80 x 112 Blk Mower	115	72110504	Bolt, Carriage 5/16-18 x 1/2
25	123713X	Spring, Torsion, Deflector 2 52	116	4898H	Bolt, Shoulder
26	110452X	Nut, Push Phos & Oil	117	105455X	Wheel, Gauge
27	130968X428	Shield, Deflector 42" Blk	118	73930600	Nut Centerlock 3/8-16
28	19111016	Washer 11/32 x 5/8 x 16 Gauge	119	19121414	Washer 3/8 x 7/8 x 14 Ga.
29	131491	Rod, Hinge 42" 6 75 W/G	120	19171512	Washer 17/32 x 15/16 x 12 Ga.
30	157722	Screw Thdrol Rolling Washer Head	121	143723	Bracket, Extruded
31	129963	Washer, Spacer Mower Vented	128	153390	Washer, Felt
32	153535	Pulley, Mandrel	159	72140614	Bolt Rdhd Sq 3/8-16 Unc x 1-3/4
33	137266	Nut, Toplock 9/16	--	130794	Mandrel Assembly (Includes Key Numbers 8-10, 12-15, 31 and 33)
34	72110614	Bolt	--	171491	Mower Deck, Complete (Standard Deck - Order separately mulcher plate and gauge wheel components Key Nos. 101-106, and 111-121)
35	133835	Fastener, Christmas Tree			
36	131494	Pulley, Idler, Flat			
37	19131316	Washer 13/32 x 13/16 x 16 Gauge			
40	73680600	Nut			
44	140088	Guard, Mandrel, LH			
45	4497H	Retainer			
46	137729	Screw, Thdrol 1/4-20 x 5/8 T			
48	133944	Washer, Hardened			

**NOTE:** All component dimensions given in U.S. inches  
1 inch = 25.4 mm

# REPAIR PARTS

TRACTOR - - MODEL NO. BL16542ST (BL16542STA), PRODUCT NO. 954 21 00-26  
MOWER LIFT





# REPAIR PARTS

TRACTOR - - MODEL NO. BL16542ST (BL16542STA), PRODUCT NO. 954 21 00-26  
MOWER LIFT

KEY NO.	PART NO.	DESCRIPTION
1	159460	Wire Asm Inner/Sprg W/plunger LT
2	159471	Shaft Asm Lift RH w/Inf
3	105767X	Pin Groove 1 500 Zinc
4	12000002	E Ring #5133-62
5	19211621	Washer 21/32 X 1 X 21 Ga
6	120183X	Bearing Nylon Blk 629 Id
7	125631X	Grip Handle
8	124526X	Button Plunger Black
11	139865	Link Lift LH Fixed Length
12	139866	Link Lift RH Fixed Length
13	4939M	Retainer Spring
15	167253	Link Front
16	73350800	Nut Jam Hex 1/2-13 Unc
17	130171	Trunnion Blk Zinc
18	73800800	Nut Lock w/Wsh 1/2-13 Unc
19	139868	Arm Suspension Rear
20	163552	Retainer Spring
28	73350600	Nut Hex Jam 3/8-16 Unc
31	140302	Bearing Pvt Lift Spherical
32	73540600	Nut Crownlock 3/8 - 24

**NOTE:** All component dimensions given in U.S. inches  
1 inch = 25.4 mm