

**ILLUSTRATED PARTS LIST**

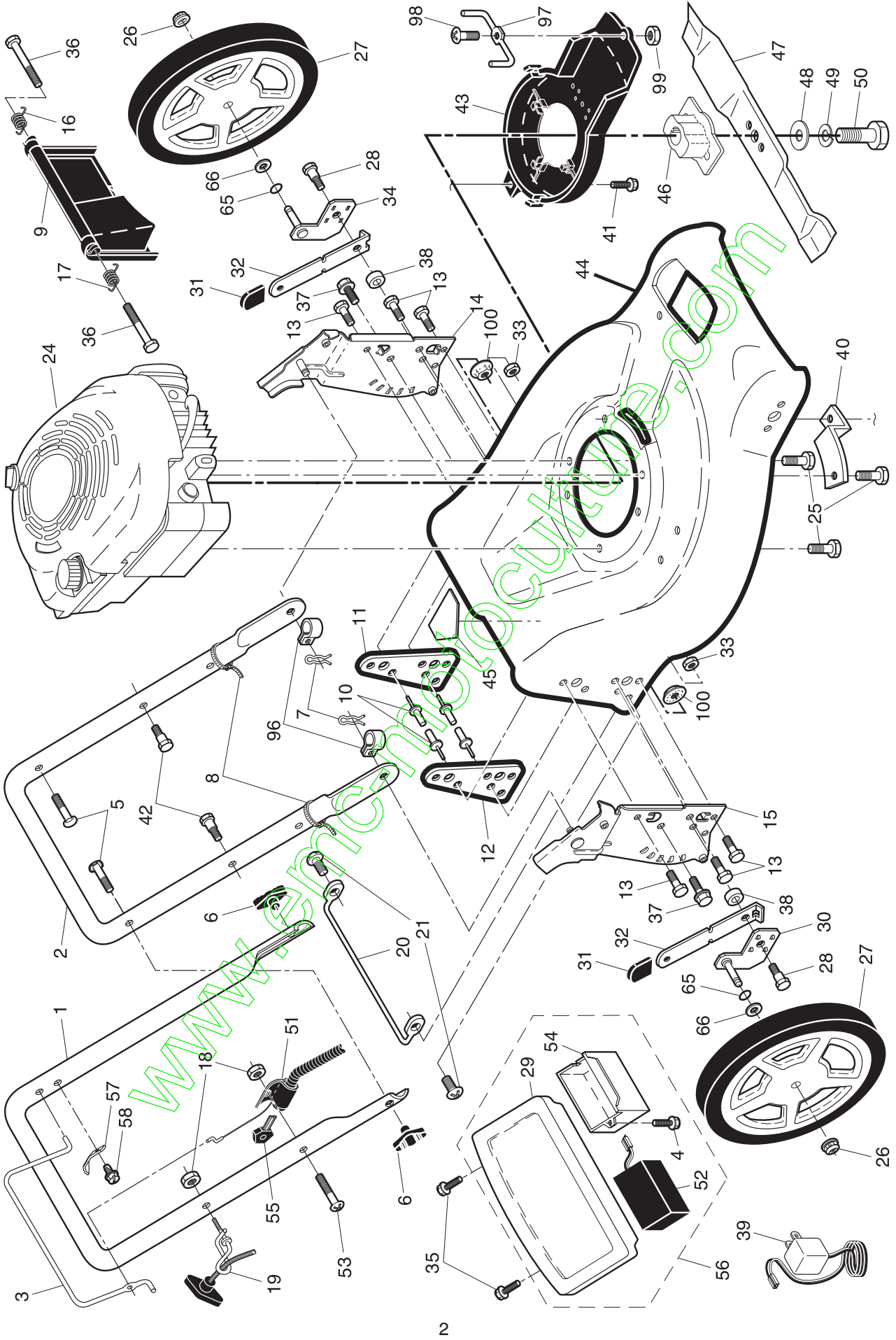
**MODEL NUMBER BL50B53HWDE**

**PRODUCT NUMBER 961 41 01-40**

**MFG. ID. NUMBER 96141014000**

[www.emc-motoculture.com](http://www.emc-motoculture.com)

ROTARY LAWN MOWER - - MODEL NO. BL50B53HWDE (96141014000) PRODUCT NO. 961 41 01-40



**ROTARY LAWN MOWER - - MODEL NO. BL50B53HWDE (96141014000) PRODUCT NO. 961 41 01-40**

KEY NO.	PART NO.	DESCRIPTION	KEY NO.	PART NO.	DESCRIPTION
1	532 19 84-59	Upper Handle	37	874 78 05-12	Screw, Thread Cutting
2	532 19 63-49	Lower Handle	38	819 11 22-06	Washer, Step
3	532 19 84-64	Control Bar	39	532 19 24-36	Charger, Battery
4	817 41 13-08	Screw	40	532 19 09-39	Mounting Bracket, Debris Shield
5	532 19 15-74	Handle Bolt	41	532 19 23-25	Screw
6	532 19 19-38	Handle Knob	42	532 17 55-51	Bolt, Shoulder
7	532 05 17-93	Hairpin Cotter	43	532 19 89-10	Debris Shield
8	532 06 64-26	Wire Tie	44	532 40 98-55	Kit, Lawn Mower Housing (Includes Key Numbers 10, 11, 12 and 45)
9	532 40 69-85	Rear Door	45	532 18 21-66	Danger Decal
10	532 12 84-15	Pop Rivet	46	532 19 77-52	Blade Adapter
11	532 41 05-40	Support Bracket, LH	47	532 19 93-77	Blade, 21"
12	532 41 05-42	Support Bracket, RH	48	532 85 10-74	Hardened Washer
13	817 06 04-10	Screw 1/4-20 x 5/8	49	532 85 02-63	Helical Washer 3/8-24 x 1-3/8 Grade 8
14	532 18 25-43	Handle Bracket Assembly, LH	50	532 85 10-84	Hex Head Machine Screw 3/8-24 x 1-3/8 Grade 8
15	532 18 25-45	Handle Bracket Assembly, RH	51	532 18 96-86	Control, Combi-Key
16	532 40 54-17	Spring, Rear Door, LH	52	532 18 95-89	Battery
17	532 40 54-18	Spring, Rear Door, RH	53	532 18 61-59	Screw
18	532 13 20-04	Keps Locknut 1/4-20	54	532 18 62-37	Box, Battery
19	532 19 47-88	Rope Guide	55	532 18 03-31	Key
20	532 41 05-36	Foot Guard	56	532 19 12-52	Trimplate, Battery & Battery Box Assembly
21	532 05 45-83	Hinge Screw 1/4-20 x 1-1/4	57	532 12 51-62	Bracket, Upstop
24	---	Engine, Briggs & Stratton, Model Number 12F805 (order parts from engine manufacturer)	58	532 75 06-34	Screw #10-24 x 1/2
25	532 15 04-06	Hex Head Thread Rolling Screw 3/8-16 x 1-1/8	65	532 19 74-80	O-Ring
26	532 40 91-49	Hex Flange Nut	66	532 08 83-48	Washer
27	532 40 31-67	Wheel & Tire Assembly	96	532 19 79-91	Clip, Cable
28	532 16 08-28	Shoulder Bolt 5/16-18 x .33	97	532 19 71-62	Keeper, belt, FGD
29	532 41 11-90	Trimplate	98	532 18 22-27	Screw
30	532 40 25-71	Axle Arm Assembly, Rear, RH	99	532 18 22-28	Nut, Hex
31	532 08 78-77	Selector Knob	100	532 19 85-41	Nut
32	532 19 01-57	Selector Spring	--	532 18 21-34	Warning Decal (not shown)
33	873 80 05-00	Nut, Hex, Nylock	--	532 40 94-51	Operator's Manual, Baltic
34	532 40 25-72	Axle Arm Assembly, Rear, LH	--	532 40 94-48	Operator's Manual, Scandinavian
35	532 14 18-41	Screw	--	532 40 94-46	Operator's Manual, Euro
36	532 18 41-93	Bolt	--	532 40 94-50	Operator's Manual, E-Bloc

**NOTE:** All component dimensions given in U.S. inches. 1 inch = 25.4 mm. **IMPORTANT:** Use only Original Equipment Manufacturer (O.E.M.) replacement parts. Failure to do so could be hazardous, damage your lawn mower and void your warranty.



**ROTARY LAWN MOWER - - MODEL NO. BL50B53HWDE (96141014000) PRODUCT NO. 961 41 01-40**

KEY NO.	PART NO.	DESCRIPTION	KEY NO.	PART NO.	DESCRIPTION
1	532 40 01-61	Drive Control Cable	61	532 19 88-88	Case, Upper
2	532 19 10-39	Bearing, Wheel Adjuster	62	532 19 68-86	Shaft, Output
3	532 17 52-62	Pin Head Tapping Screw #10-24 x 2-3/4	63	532 18 35-08	Seal, Output Shaft
5	532 19 68-53	V-Belt	64	532 18 35-11	Bushing
6	532 15 04-95	Spring Retainer	65	532 18 35-09	Washer
7	532 19 84-53	Control Bar, Drive	66	532 18 35-14	Seal, Worm Shaft
9	532 40 91-48	Locknut, Hex	67	532 18 35-06	Bearing, Ball
11	532 19 79-86	Wheel & Tire Assembly	68	532 18 34-99	Gear, 27 Teeth
12	812 00 00-58	E-Ring	69	532 19 68-84	Fixed Dog Clutch
13	532 40 38-49	Pinion	70	532 18 35-05	Wireform
14	532 18 94-03	Dust Cover	71	532 19 68-83	Movable Dog Clutch
15	532 19 10-17	Pawl, Drive	72	532 19 68-82	Fork
16	532 06 77-25	Washer 1/2 x 1-1/2 x .134	73	532 18 35-13	Screw, Case
18	532 08 78-77	Selector Knob	74	532 19 68-81	Case, Lower
28	532 18 14-68	Drive Cover	75	532 19 68-80	Seal, Lever
35	532 40 88-02	Kit, Wheel Adjuster, LH (Includes Knob and Bearing)	76	532 19 68-79	Lever
36	532 18 82-96	Gear Case Assembly, Complete	77	532 19 68-78	Screw, Lever
38	873 80 04-00	Locknut, Hex 1/4-20	78	532 19 68-77	Spring
40	532 13 70-90	Spring	79	532 18 35-02	Shaft, Worm
41	532 40 88-03	Kit, Wheel Adjuster, RH (Includes Knob and Bearing)	80	532 19 96-87	Hex Washer Head Screw 1/4-20 x 1.5
54	532 40 31-48	Grassbag Assembly	81	532 19 17-30	Locknut Hex #10-24
57	532 40 18-02	Frame, Grassbag	82	532 19 40-18	Pulley, Driven, EZ
			83	532 19 28 49	Spring, Return
			84	532 19 90-89	Keeper, Belt 5/16-18
			85	532 15 00-78	Screw

**NOTE:** All component dimensions given in U.S. inches. 1 inch = 25.4 mm. **IMPORTANT:** Use only Original Equipment Manufacturer (O.E.M.) replacement parts. Failure to do so could be hazardous, damage your lawn mower and void your warranty.