

**ILLUSTRATED PARTS LIST**

**MODEL NUMBER BL55H53HW**

**PRODUCT NUMBER 961 41 00-70**

**MFG. ID. NUMBER 96141007002**

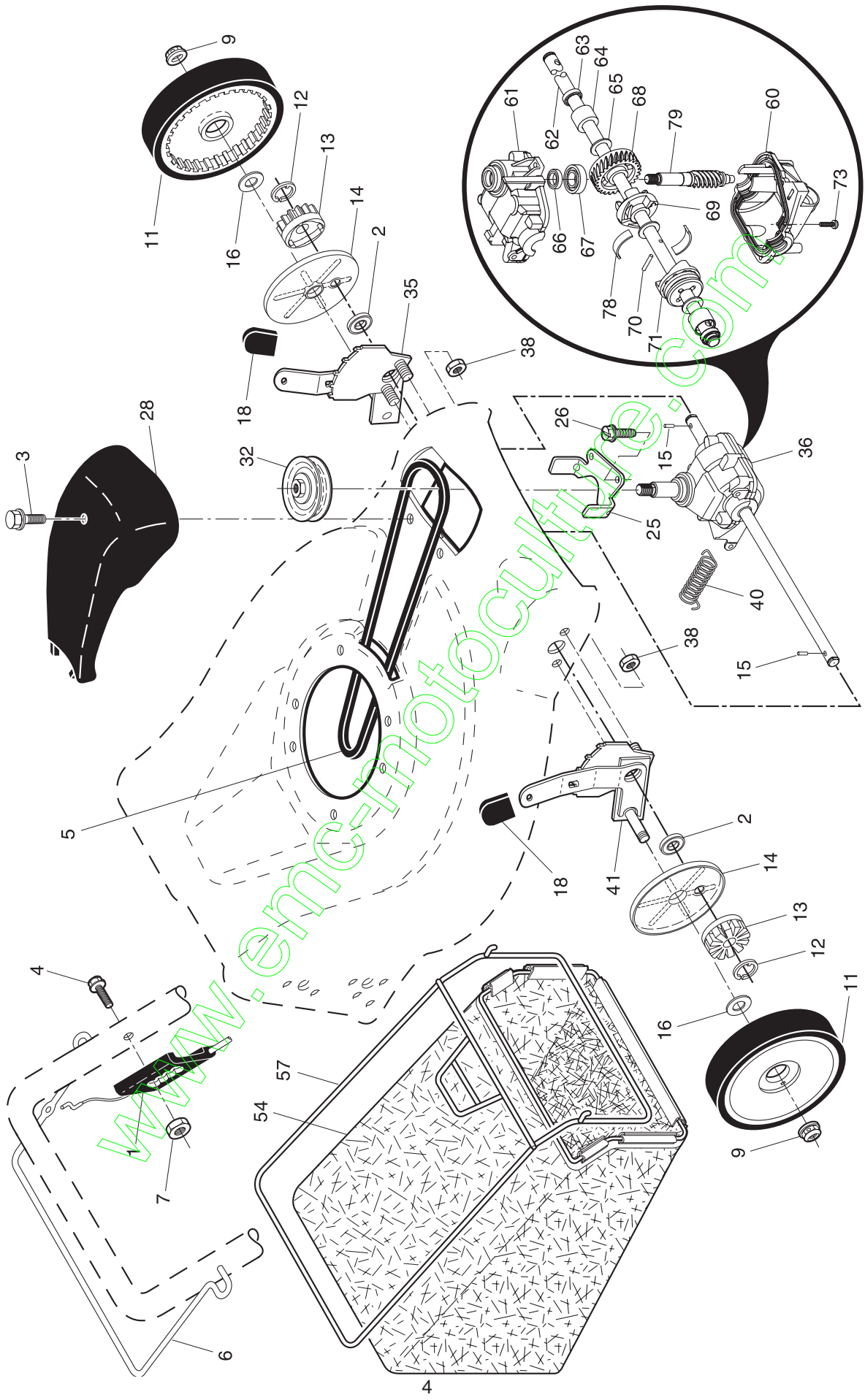
[www.emc-motoculture.com](http://www.emc-motoculture.com)

**ROTARY LAWN MOWER - - MODEL NUMBER BL55H53HW (96141007002) PRODUCT NUMBER 961 41 00-70**

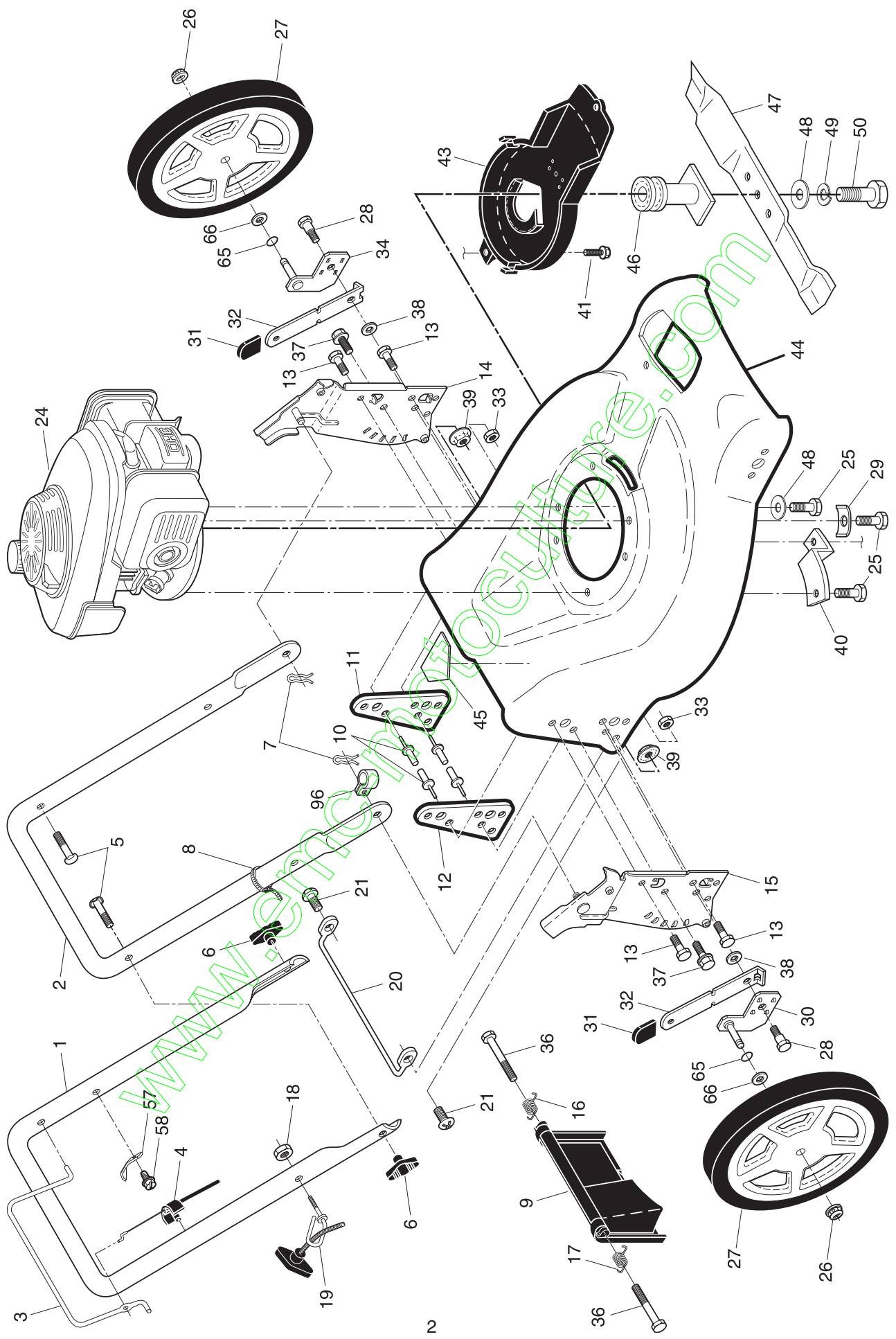
KEY NO.	PART NO.	DESCRIPTION	KEY NO.	PART NO.	DESCRIPTION
1	532 19 84-59	Upper Handle	31	532 08 78-77	Selector Knob
2	532 15 36-05	Lower Handle	32	532 19 01-57	Selector Spring
3	532 19 84-64	Control Bar	33	873 80 05-00	Nut, Hex 5/16-18
4	532 18 35-67	Engine Zone Control Cable	34	532 40 25-72	Axle Arm Assembly, Rear, RH
5	532 19 15-74	Handle Bolt	36	532 18 41-93	Bolt
6	<b>532 19 19-38</b>	Handle Knob	37	<b>874 78 05-12</b>	Thread Cutting Screw w/Sems 5/16-18 x 3/4
7	532 05 17-93	Hairpin Cotter	38	819 11 22-06	Washer
8	532 06 64-26	Wire Tie	39	<b>532 19 85-41</b>	Nut Hex 5/16-18
9	<b>532 40 69-85</b>	Rear Door	40	532 19 09-39	Mounting Bracket, Debris Shield
10	532 12 84-15	Pop Rivet	41	532 19 23-25	Screw
11	<b>532 41 05-40</b>	Support Bracket, LH	43	<b>532 40 58-44</b>	Debris Shield
12	<b>532 41 05-42</b>	Support Bracket, RH	44	<b>532 40 98-55</b>	Kit, Lawn Mower Housing (Includes Key Numbers 10, 11, 12 and 45)
13	817 06 04-10	Screw 1/4-20 x 5/8	45	532 18 21-66	Danger Decal
14	532 18 25-43	Handle Bracket Assembly, LH	46	532 19 77-52	Blade Adapter / Pulley
15	532 18 25-45	Handle Bracket Assembly, RH	47	532 19 93-77	Blade, 21"
16	<b>532 40 54-17</b>	Spring, Rear Door, LH	48	532 85 10-74	Hardened Washer
17	<b>532 40 54-18</b>	Spring, Rear Door, RH	49	532 85 02-63	Helical Washer 3/8-24 x 1-3/8 Grade 8
18	532 13 20-04	Keps Locknut 1/4-20	50	532 85 10-84	Hex Head Machine Screw 3/8-24 x 1-3/8 Grade 8
19	<b>532 19 47-88</b>	Rope Guide	57	532 12 51-62	Upstop Bracket
20	<b>532 41 05-36</b>	Foot Guard, C.E.	58	532 75 06-34	Screw
21	532 05 45-83	Screw, Tapping 1/4-20 x 1/2	65	532 19 74-80	O-Ring
24	---	Engine, Honda, Model Number GCV160 (order parts from engine manufacturer)	66	532 08 83-48	Washer, Flat
25	532 15 04-06	Hex Head Thread Rolling Screw 3/8-16	96	<b>532 19 79-91</b>	Clip, Cable
26	<b>532 40 91-49</b>	Hex Flange Nut	--	<b>532 41 19-54</b>	Operator's Manual, European
27	532 40 31-67	Wheel & Tire Assembly, Rear, 12"	--	<b>532 41 22-48</b>	Operator's Manual, Scandin
28	532 16 08-28	Shoulder Bolt 5/16-18 x .33	--	<b>532 41 22-49</b>	Operator's Manual, E-Bloc
29	532 12 50-78	Washer, Engine, Zinc-Plated	--	<b>532 41 22-50</b>	Operator's Manual, Baltic
30	532 40 25-71	Axle Arm Assembly, Rear, RH			

**NOTE:** All component dimensions given in U.S. inches. 1 inch = 25.4 mm. **IMPORTANT:** Use only Original Equipment Manufacturer (O.E.M.) replacement parts. Failure to do so could be hazardous, damage your lawn mower and void your warranty.

ROTARY LAWN MOWER -- MODEL NUMBER BL55H53HW (96141007002) PRODUCT NUMBER 961 41 00-70



ROTARY LAWN MOWER -- MODEL NUMBER BL55H53HW (96141007002) PRODUCT NUMBER 961 41 00-70



**ROTARY LAWN MOWER - - MODEL NUMBER BL55H53HW (96141007002) PRODUCT NUMBER 961 41 00-70**

KEY NO.	PART NO.	DESCRIPTION	KEY NO.	PART NO.	DESCRIPTION
1	<b>532 40 78-16</b>	Drive Control Assembly, with Cable	38	873 80 04-00	Locknut, Hex 1/4-20
2	532 19 10-39	Bearing, Wheel Adjuster	40	<b>532 40 65-58</b>	Spring
3	532 17 52-62	Pan Head Tapping Screw #10-24 x 2-3/4	41	<b>532 40 91-09</b>	Kit, Wheel Adjuster, RH (Includes Knob and Bearing)
4	<b>532 19 96-87</b>	Hex Washer Head Screw 1/4-20 x 1.5	54	532 40 31-48	Grassbag Assembly
5	<b>532 19 41-49</b>	V-Belt	57	<b>532 40 18-02</b>	Frame, Grassbag
6	532 19 84-53	Control Bar, Drive	60	<b>532 41 07-34</b>	Case, Lower
7	532 19 17-30	Locknut, Hex #10-24	61	<b>532 41 07-34</b>	Case, Upper
9	<b>532 40 91-48</b>	Locknut, Hex	62	<b>532 41 09-49</b>	Shaft, Output
11	<b>532 19 79-86</b>	Wheel & Tire Assembly, Front, 8"	63	532 18 35-08	Seal, Output Shaft
12	812 00 00-58	E-Ring	64	532 18 35-11	Bushing
13	<b>532 40 38-49</b>	Pinion	65	532 18 35-09	Washer
14	532 18 94-03	Dust Cover	66	532 18 35-14	Seal, Worm Shaft
15	532 19 10-17	Pawl, Drive	67	532 18 35-06	Bearing, Ball
16	532 06 77-25	Washer 1/2 x 1-1/2 x .134	68	<b>532 41 07-29</b>	Gear, 28 Teeth
18	532 08 78-77	Selector Knob	69	<b>532 41 07-32</b>	Fixed Dog Clutch
25	<b>532 41 16-63</b>	Belt Keeper	70	<b>532 41 07-33</b>	Wireform
26	<b>532 16 34-09</b>	Screw	71	<b>532 41 07-30</b>	Movable Dog Clutch
28	532 18 14-67	Drive Cover	73	532 18 35-13	Screw, Case
32	532 19 40-18	Drive Pulley	78	<b>532 41 07-31</b>	Spring, Leaf
35	<b>532 40 91-08</b>	Kit, Wheel Adjuster, LH (Includes Knob and Bearing)	79	<b>532 41 07-27</b>	Shaft, Worm
36	<b>532 40 48-33</b>	Gearcase Assembly, Complete			

**NOTE:** All component dimensions given in U.S. inches. 1 inch = 25.4 mm. **IMPORTANT:** Use only Original Equipment Manufacturer (O.E.M.) replacement parts. Failure to do so could be hazardous, damage your lawn mower and void your warranty.