

ILLUSTRATED PARTS LIST

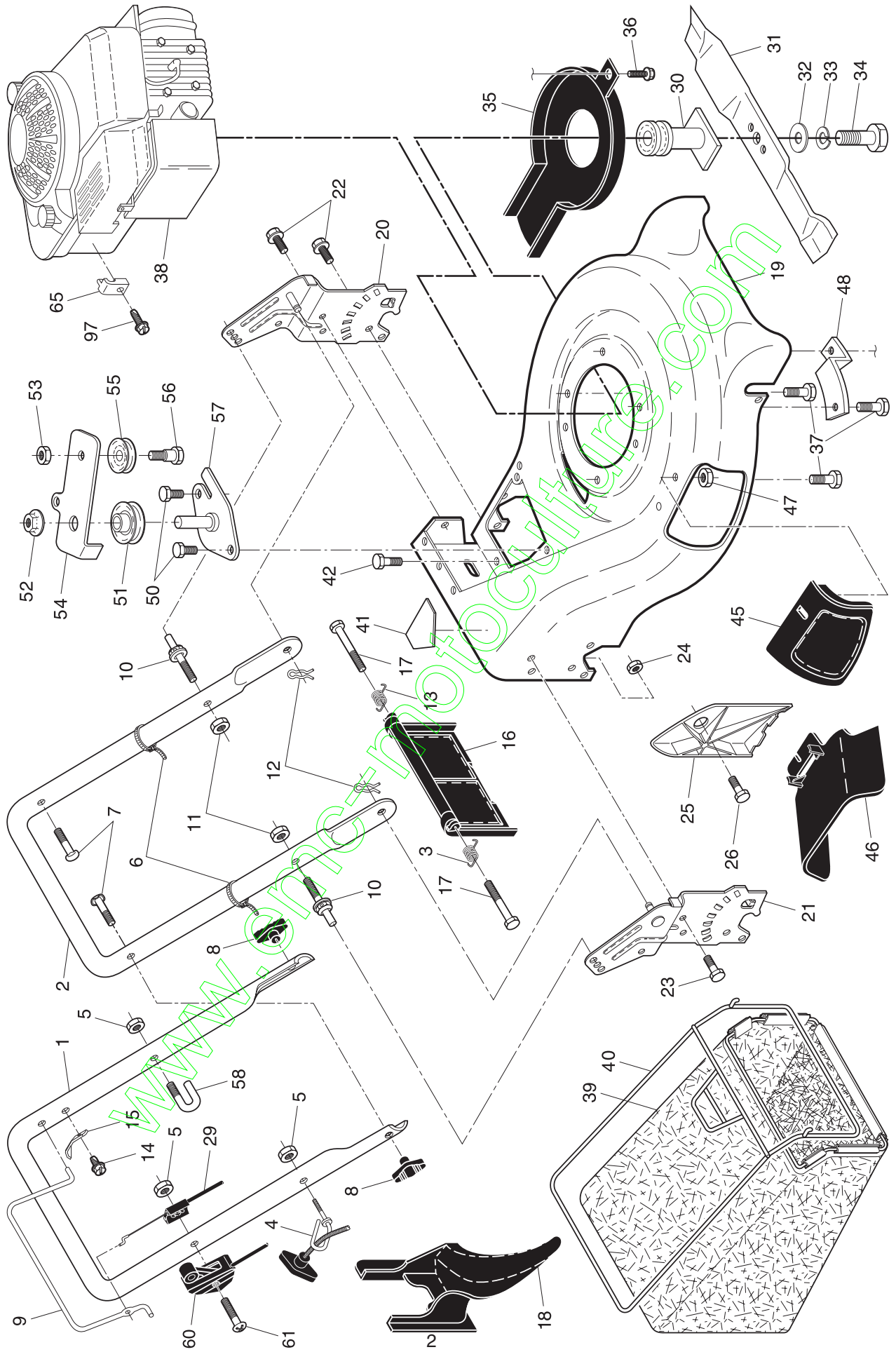
CUSTOMER MODEL NUMBER BL6053T

PRODUCT NUMBER 961 41 00-29

MFG. ID. NUMBER 96141002900

www.emc-motoculture.com

ROTARY LAWN MOWER - CUSTOMER MODEL NUMBER BL6053T (96141002900) PRODUCT NO. 961 41 00-29

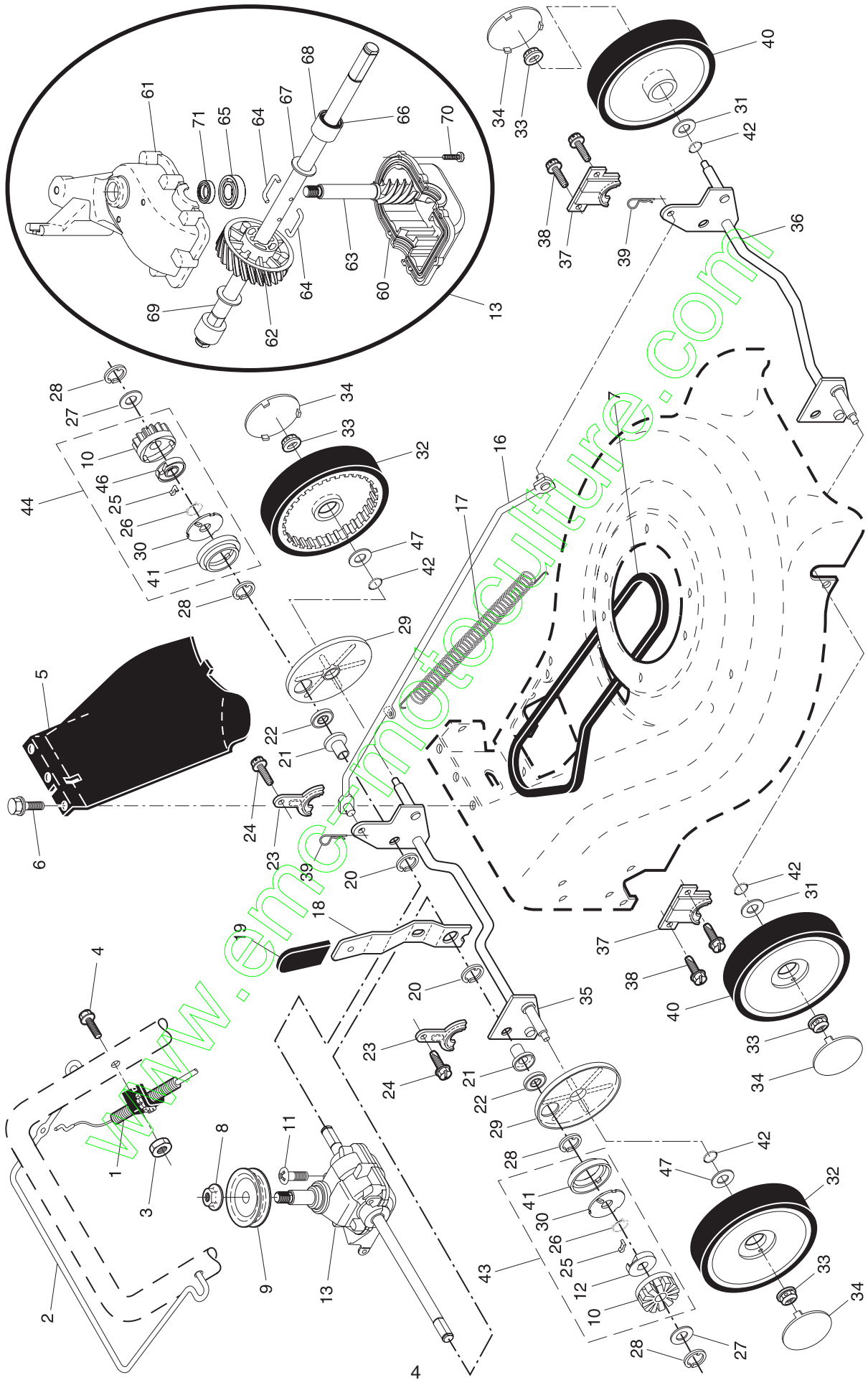


ROTARY LAWN MOWER - CUSTOMER MODEL NUMBER BL6053T (96141002900) PRODUCT NO. 961 41 00-29

KEY NO.	PART NO.	DESCRIPTION	KEY NO.	PART NO.	DESCRIPTION
1	532 19 09-98	Handle, Upper	33	532 85 02-63	Washer, Lock
2	532 19 60-05	Handle, Lower	34	532 85 10-84	Bolt, Hex Head
3	532 18 50-53	Key, Hi-Pro	35	532 18 87-86	Debris Shield
4	532 17 95-85	Rope Guide	36	532 19 23-25	Screw, Machine #8
5	532 13 20-04	Nut, Hex, with Lockwasher Insert 1/4-20	37	532 15 04-06	Bolt, Engine
6	532 06 64-26	Wire, Tie	38	- - -	Engine, Briggs & Stratton, Model Number 12H802 (Order Parts From Engine Manufacturer)
7	532 19 15-74	Bolt, Handle 5/16-18 x 1-75	39	532 19 52-85	Grassbag
8	532 08 76-92	Knob, Handle	40	532 18 88-17	Frame, Grassbag
9	532 18 28-10	Control Bar	41	532 18 21-66	Danger Decal
10	532 18 88-21	Bolt, Carriage	42	532 05 45-83	Screw
11	873 99 05-00	Nut, Hex, with Lockwasher Insert 5/16-18 UNC	45	532 19 13-41	Door, Mulcher
12	532 05 17-93	Hairpin, Cotter	46	532 19 12-10	Discharge Deflector
13	532 18 60-52	Spring, Rear Door, LH	47	532 08 83-49	Nut, Hex
14	532 75 06-34	Screw	48	532 19 09-39	Mounting Bracket, Debris Shield
15	532 12 51-62	Bracket, Upstop	50	532 05 78-08	Screw
16	532 19 05-74	Rear Door	51	532 18 45-43	Pulley Assembly
17	532 18 41-93	Bolt, Rear Door	52	532 14 52-12	Flange Nut
18	532 18 75-35	Plug, Mulcher	53	532 15 55-52	Locknut, Hex
19	532 18 60-72	Kit, Housing	54	532 18 58-98	Idle Arm
20	532 19 40-29	Handle Bracket Assembly, LH	55	532 16 60-43	Idle Pulley
21	532 19 40-31	Handle Bracket Assembly, RH	56	532 16 08-29	Shoulder Bolt
22	532 15 00-78	Screw, Hex Washer Head	57	532 18 58-99	Bracket Assembly
23	532 16 31-83	Bolt, Hex Head 5/16-18 x 5/8	58	532 18 20-03	Clip, Wireform, Packaging
24	873 80 05-00	Locknut, Hex	60	532 18 21-54	Throttle Control
25	532 16 13-33	Baffle, Side	61	532 18 33-65	Screw, Hex Head 1/4-20 x 2
26	532 16 34-09	Screw #12 x 5/8	65	532 11 11-90	Clamp, Cable
29	532 13 31-07	Cable, Engine Zone Control	97	532 08 38-16	Screw, Cable Clamp
30	532 18 91-79	Blade Adapter / Pulley	- -	532 18 21-34	Warning Decal (not shown)
31	532 17 50-52	Blade, 21"	- -	532 19 52-83	Operator's Manual, European
32	532 85 10-74	Washer			

NOTE: All component dimensions given in U.S. inches. 1 inch = 25.4 mm. **IMPORTANT:** Use only Original Equipment Manufacturer (O.E.M.) replacement parts. Failure to do so could be hazardous, damage your lawn mower and void your warranty.

ROTARY LAWN MOWER - CUSTOMER MODEL NUMBER BL6053T (96141002900) PRODUCT NO. 961 41 00-29



ROTARY LAWN MOWER - CUSTOMER MODEL NUMBER BL6053T (96141002900) PRODUCT NO. 961 41 00-29

KEY PART NO.	DESCRIPTION	KEY PART NO.	DESCRIPTION
1	Drive Control Assembly (Includes Cable)	31	Washer, Flat 3/8
2	Control Bar, Drive	32	Wheel 9 x 2
3	Nut, Hex	33	Nut, Hex, Flangelock 3/8-16
4	Screw	34	Hubcap
5	Cover Drive	35	Shaft Assembly, Rear
6	Screw, Threaded, Rolled #10-25 x .50	36	Shaft Assembly, Front
7	V-Belt	37	Retainer, Front Shaft
8	Nut, Flangelock 3/8-16 Zinc Plated	38	Screw #12 x 5/8
9	Pulley, Drive	39	Clip, Retainer
10	Pinion, Gear	40	Wheel & Tire Assembly 8 x 2
11	Screw	41	Seal, Friction
12	Retainer, Drive, RH	42	O-Ring
13	Gearcase Assembly, Complete	43	Pinion Assembly, RH
16	Rod, Connecting	44	Pinion Assembly, LH
17	Spring, Extension	46	Retainer, Drive, LH
18	Spring, Selector	47	Washer, Flat 1/2
19	Knob, Selector Spring	60	Case, Lower
20	E-Ring 7/8	61	Case, Upper
21	Bearing Support	62	Gear, 24 Teeth
22	Bearing, Ball	63	Shaft, Input
23	Retainer, Drive Assembly, Stamped	64	Wire, Formed
24	Screw, Hex Head, Tapping 1/4-20 x .75	65	Bearing, Ball
25	Pawl	66	Seal, Output Shaft
26	Spring, Torsion	67	Washer
27	Washer, Shim (as required)	68	Bushing
28	E-Ring 7/16	69	Shaft, Output
29	Cover, Dust, Wheel	70	Screw
30	Disc, Drive	71	Seal, Input Shaft

NOTE: All component dimensions given in U.S. inches. 1 inch = 25.4 mm. **IMPORTANT:** Use only Original Equipment Manufacturer (O.E.M.) replacement parts. Failure to do so could be hazardous, damage your lawn mower and void your warranty.