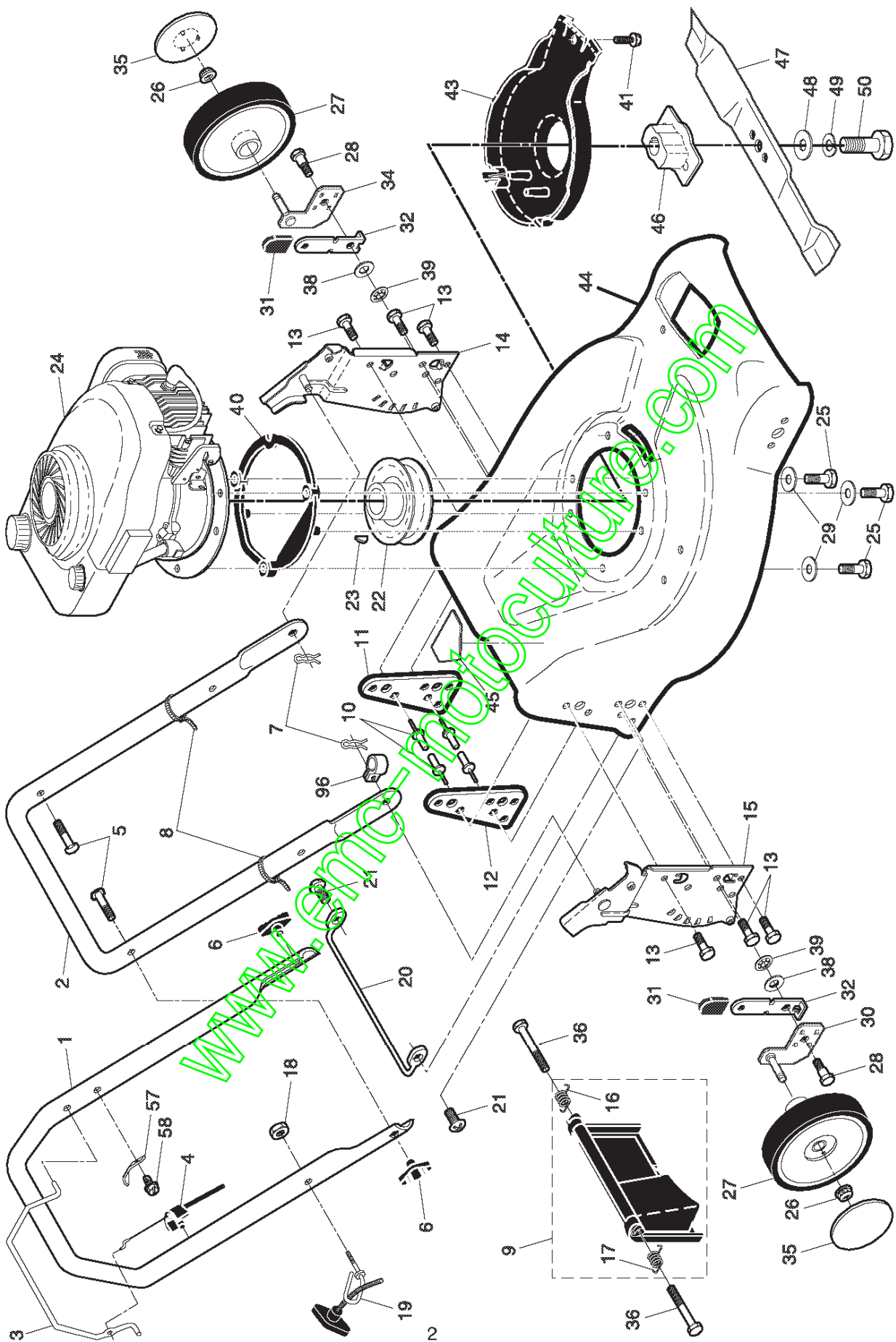


ILLUSTRATED PARTS LIST**CUSTOMER MODEL NUMBER BL675T53FD****PRODUCT NUMBER 961 41 00-39****MFG. ID. NUMBER 96141003900**

www.emc-motoculture.com

ROTARY LAWN MOWER -- CUSTOMER MODEL NO. BL675T53FD (96141003900) PRODUCT NO. 961 41 00-39



ROTARY LAWN MOWER - - CUSTOMER MODEL NO. BL675T53FD (96141003900) PRODUCT NO. 961 41 00-39

KEY NO.	PART NO.	DESCRIPTION	KEY NO.	PART NO.	DESCRIPTION
1	532 17 56-75	Upper Handle	26	532 08 39-23	Hex Flange Nut
2	532 19 36-05	Lower Handle	27	532 14 84-42	Wheel & Tire Assembly
3	532 18 28-10	Control Bar	28	532 18 93-12	Shoulder Bolt 5/16-18 x .33
4	532 18 27-66	Engine Control Cable	29	532 05 39-93	Washer, Flat, Hardened
5	532 19 15-74	Handle Bolt	30	532 19 54-35	Axle Arm Assembly, Rear, RH
6	532 19 19-38	Handle Knob	31	532 08 78-77	Selector Knob
7	532 05 17-93	Hairpin Cotter	32	532 19 01-57	Selector Spring
8	532 06 64-26	Wire Tie	34	532 19 54-36	Axle Arm Assembly, Rear, LH
9	532 18 04-79	Rear Door Kit (Includes Key #16 and 17)	35	532 07 74-00	Hubcap
10	532 12 84-15	Pop Rivet	36	532 18 41-93	Bolt
11	532 18 25-38	Support Bracket, LH	38	819 17 61-85	Washer
12	532 18 25-39	Support Bracket, RH	39	532 17 62-35	Pushnut
13	817 06 04-10	Screw 1/4-20 x 5/8	40	532 70 13-13	Spacer, Engine
14	532 19 01-54	Handle Bracket Assembly, LH	41	532 19 23-25	Screw
15	532 19 01-53	Handle Bracket Assembly, RH	43	532 18 70-38	Debris Shield
16	532 18 00-71	Spring, Rear Door, LH	44	532 19 48-60	Lawn Mower Housing
17	532 18 00-72	Spring, Rear Door, RH			(Includes Key Numbers 10, 11, 12 and 45)
18	532 13 20-04	Keys Locknut 1/4-20	45	532 18 21-66	Danger Decal
19	532 17 95-89	Rope Guide	46	532 18 45-89	Blade Adapter
20	532 17 92-05	Foot Guard, C.E.	47	532 17 50-52	Blade 21"
21	532 05 45-83	Screw, Tapping 1/4-20 x 1/2	48	532 85 10-74	Hardened Washer
22	532 18 50-05	Engine Pulley	49	532 85 02-63	Helical Washer 3/8-24 x 1-3/8 Grade 8
23	532 18 77-23	Hi-Pro Key	50	532 17 96-17	Hex Head Machine Screw 3/8-24 x 1-3/8 Grade 8
24	---	Engine, Tecumseh, Model No. LV195EA (Order parts from engine manufacturer)	57	532 12 51-62	Bracket Upstop
25	532 85 09-99	Screw, Hex Head, Threaded, Rolled 3/8-16 x 1-1/8	58	532 75 06-34	Screw
			96	532 19 27-70	Clip, Cable
			--	532 19 52-00	Operator's Manual, European

NOTE: All component dimensions given in U.S. inches. 1 inch = 25.4 mm. **IMPORTANT:** Use only Original Equipment Manufacturer (O.E.M.) replacement parts. Failure to do so could be hazardous, damage your lawn mower and void your warranty.

ROTARY LAWN MOWER - - CUSTOMER MODEL NO. BL675T53FD (96141003900) PRODUCT NO. 961 41 00-39

KEY NO.	PART NO.	DESCRIPTION	KEY NO.	PART NO.	DESCRIPTION
1	532 18 51-82	Drive Control Assembly (Includes Cable)	31	532 13 20-10	Nut, Hex, Flanged
2	532 16 99-11	Bearing, Wheel Adjuster	32	532 18 94-08	Drive Pulley
3	532 17 52-62	Part Head Tapping Screw #10-24 x 2-3/4	35	532 18 90-15	Kit, Wheel Adjuster, LH (Includes Knob and Bearing)
4	532 18 56-81	Hex Washer Head Screw 1/4-20 x 2.12	36	532 18 72-12	Gearcase Assembly, Complete
5	532 16 97-78	V-Belt	38	873 80 04-00	Locknut, Hex 1/4-20
6	532 19 09-99	Control Ball	40	532 18 22-26	Spring
7	532 75 11-52	Nut, Hex, Flanged 1/4-20	41	532 18 90-14	Kit, Wheel Adjuster, RH (Includes Knob and Bearing)
8	532 07 74-00	Hubcap	54	532 19 51-98	Grassbag Assembly
9	532 14 52-12	Locknut, Hex	55	532 17 57-39	Driveshaft Cover
10	532 18 83-31	Pinion Assembly, LH	57	532 18 88-15	Frame, Grassbag
11	532 18 07-80	Wheel & Tire Assembly	61	532 18 75-25 *	Case, Lower
12	812 00 00-58	E-Ring	62	532 18 75-26 *	Case, Upper
13	532 18 83-30	Pinion Assembly, RH	63	532 18 34-99	Gear, 27 Teeth
14	532 18 94-03	Dust Cover	66	532 18 75-27	Shaft, Input
15	532 18 41-72	Seal, Friction	67	532 18 75-28	Spacer
16	532 06 77-25	Washer 1/2 x 1-1/2 x .134	69	532 18 35-05	Wire, Formed
18	532 08 78-77	Selector Knob	70	532 18 35-06	Bearing, Ball
19	532 17 51-04	Disc, Drive	72	532 18 35-08	Seal, Output Shaft
20	532 18 82-91	Spring, Torsion	73	532 18 35-09	Washer
21	532 17 50-98	Pawl	75	532 18 35-11	Bushing
22	532 17 51-05	Retainer, Drive, LH	76	532 18 75-29	Spur, Output
23	532 17 51-03	Gear, Pinion	77	532 18 35-13	Screw
24	532 17 51-02	Retainer, Drive, RH	78	532 18 35-14	Seal, Input Shaft
25	532 18 81-02	Belt Keeper			
26	532 17 37-16	Screw			
28	532 18 14-67	Drive Cover			

* Use Dow Corning #709 to reseal Gear Case Halves.

NOTE: All component dimensions given in U.S. inches. 1 inch = 25.4 mm. **IMPORTANT:** Use only Original Equipment Manufacturer (O.E.M.) replacement parts. Failure to do so could be hazardous, damage your lawn mower and void your warranty.

www.emc-motoculture.com