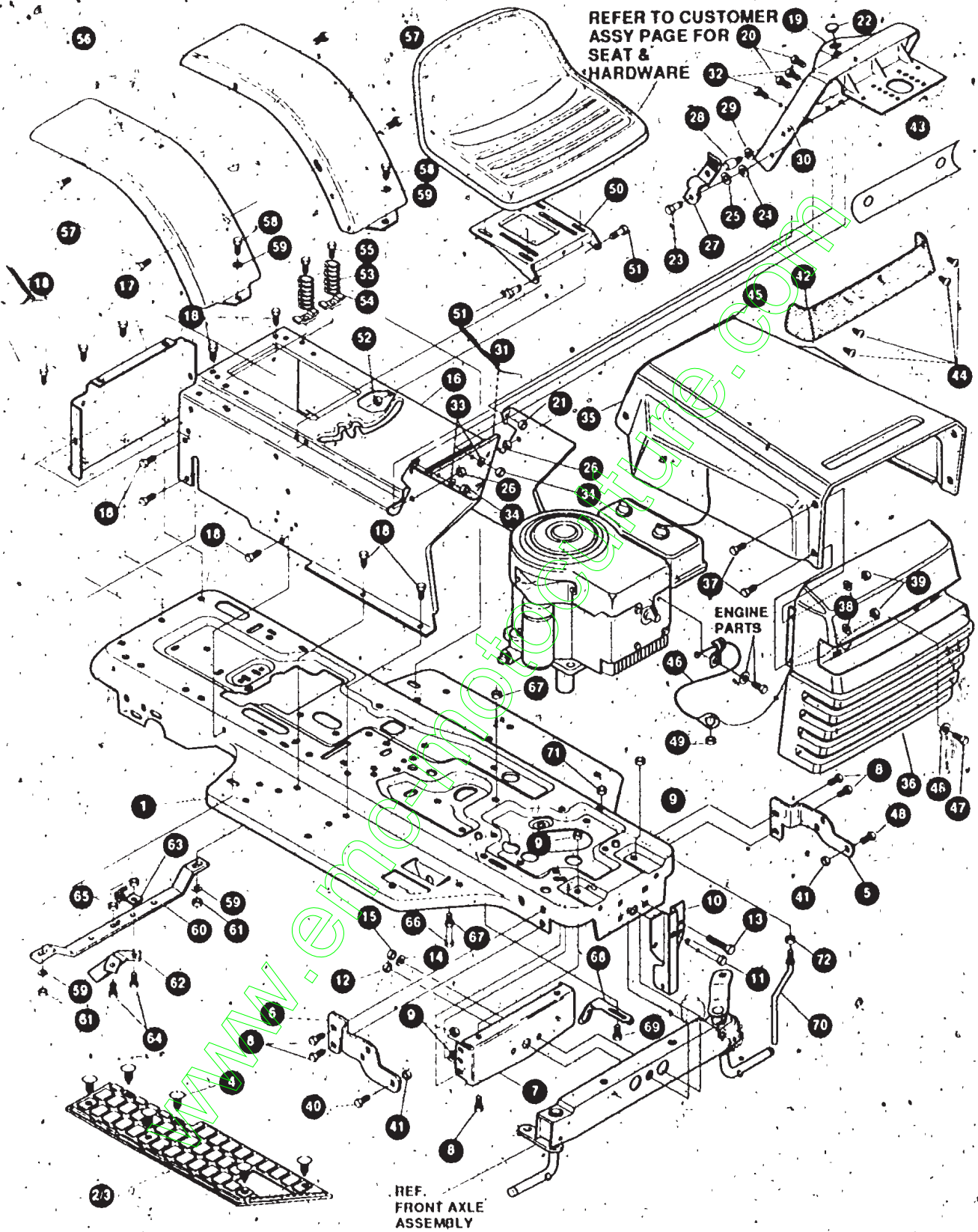


36" LAWN TRACTOR MODEL C3554-010

CHASSIS & HOOD ASSEMBLY



NOTE: ALWAYS USE ORIGINAL EQUIPMENT PARTS. Use of service/replacement parts other than original equipment parts may void your warranty

ALL UNNUMBERED ITEMS ARE INTERCHANGABLE WITH OPPOSITE SIDE

36" LAWN TRACTOR MODEL C3554-010

| key# | part# | description | qty. |
|------|------------|---|------|
| 1 | 314883-860 | FRAME, MAIN SF RIDER | 1 |
| 2 | 310003 | FOOTPAD, LH | 1 |
| 3 | 310004 | FOOTPAD, RH | 1 |
| 4 | 309235 | FASTENER, RATCHET | 12 |
| 5 | 316199 | BRACKET, GRILLE L H | 1 |
| 6 | 316200 | BRACKET, GRILLE R H | 1 |
| 7 | 313437 | BRKT, SUPT FRT AXLE | 1 |
| 8 | 56030 | SCREW, 5/16-18X 75WDFLLK | 6 |
| 9 | 55273 | NUT, 5/16-18 HXWDFLLK | 6 |
| 10 | 56261-853 | HANGER BRKT | 1 |
| 11 | 50720 | BOLT, 625X2 875 SPSH 1/2-20 | 1 |
| 12 | 274654 | NUT, 1/2-20 REGHXCTRLK | 1 |
| 13 | 122201 | SCREW, 3/8-16X2.75 HHC | 1 |
| 14 | 2483 | WASHER, 39IDX1.25DX 07 BELLVIL | 1 |
| 15 | 1499 | NUT, 3/8-16 REGHXCTRLK | 1 |
| 16 | 319329-860 | CONSOLE, SF | 1 |
| 17 | 56235-860 | CONSOLE, REAR COVER | 1 |
| 18 | 995346 | SCREW, 1/4-20X .50 WAHHTAP | 15 |
| 19 | 320466-860 | DASH, SF | 1 |
| 20 | 995338 | SCREW, 1/4-20X .63 HHWATAP | 2 |
| 21 | 50352 | NUT 1/4-20 WDFLLK TOP LOCK | 2 |
| 22 | 318202 | PLUG DOME | 1 |
| 23 | 8482 | BOLT, 375X .156 HSH 5/16-18 | 2 |
| 24 | 120394 | WASHER, FLAT .406X .81X .065 | 2 |
| 25 | 120393 | WASHER, FLAT .344X .69X .065 | 2 |
| 26 | 1498 | NUT, 5/16-18 REGHEXCTRLK | 2 |
| 27 | 57159 | LATCH, 94WDX 047 ASSY HOOD | 2 |
| 28 | 53446 | PIN, 5/16-18 HOOD LATCH | 2 |
| 29 | 138538 | WASHER, REGINTLK 320X 61X .03 | 2 |
| 30 | 45174 | NUT, 5/16-18 HEXWDFLLK WHIZ | 2 |
| 31 | 312306 | BAFFLE CONSOLE SOUND EXPORT | 1 |
| 32 | 995338 | SCREW, 1/4-20X .63 WAHHTAP | 2 |
| 33 | 120393 | WASHER, FLAT .344X .69X .065 | 2 |
| 34 | 1502 | NUT, 1/4-20 REGHEXCTRLK | 2 |
| 35 | 314538-860 | HOOD | 1 |
| 36 | 314476 | GRILLE | 1 |
| 37 | 274672 | SCREW, 1/4-20X .63 WAHHC | 4 |
| 38 | 120392 | WASHER, FLAT .281X .63X .065 | 4 |
| 39 | 1502 | NUT, 1/4-20 REGHEXCTRLK | 4 |
| 40 | 36149 | BOLT, 375X .500 HSH 5/16-18 | 2 |
| 41 | 1498 | NUT, 5/16-18 REGHEXCTRLK | 2 |
| 42 | 302333 | LENS HEADLAMP | 1 |
| 43 | 314948 | FOIL LENS DYNA-PRO REFLECTOR | 1 |
| 44 | 57796 | SCREW, #6 X .50 PLASTITE | 4 |
| 45 | 47453 | EDGING, WIDE BLK | 25 |
| 46 | 310749 | LANYARD, HOOD | 1 |
| 47 | 121887 | SCREW 1/4-20 X .75 HHC | 1 |
| 48 | 120392 | FLATWASHER .281 X .63 X .065 | 1 |
| 49 | 1502 | LOCKNUT 1/4-20 | 1 |
| 50 | 58367-853 | PLATE, SEAT | 1 |
| 51 | 20507 | BOLT, 437X .156 HSH 5/16-18 | 2 |
| 52 | 1498 | NUT, 5/16-18 REGHEXCTRLK | 2 |
| 53 | 56220 | SPRING, 1.43X2 38X 162 COM SEAT | 2 |
| 54 | 1341 | CLAMP, SPRING 1.17"ID | 2 |
| 55 | 995346 | SCREW, 1/4-20X .50 WAHHTAP | 2 |
| 56 | 43970-860 | FENDER | 2 |
| 57 | 995346 | SCREW, 1/4-20X .50 WAHHTAP | 4 |
| 58 | 122017 | SCREW, 5/16-18X1.00 HHC | 2 |
| 59 | 446363 | WASHER, FLAT .375X .88X .082 | 4 |
| 60 | 43964 | SUPPORT GUIDE | 1 |
| 61 | 1498 | NUT, 5/16-18 REGHEXCTRLK | 2 |
| 62 | 44500 | REAR DECK GUIDE | 1 |
| 63 | 57569 | RETAINER .31 ID X .62 X .03 WIRE | 1 |
| 64 | 122017 | SCREW 5/16-18 X 1.00 HHC GR2 | 2 |
| 65 | 1498 | NUT 5/16-18 REGHEXCTRLK | 2 |
| 66 | 49930 | SCREW, 3/8-16X 6.50 HHC | 1 |
| 67 | 1499 | NUT, 3/8-16 REGHEXCTRLK | 2 |
| 68 | 312953 | BRACKET, SWITCH MOUNT | 1 |
| 69 | 995346 | SCREW, 1/4-20X .50 WAHHTAP | 1 |
| 70 | 50653 | GUIDE, BELT | 1 |
| 71 | 41529 | NUT, 3/8-16 HXCTRLKJAM | 1 |
| 72 | 271190 | NUT, 3/8-16 HEXKEPS | 1 |
| 73 | 12563 | ENGLISH OPERATOR MANUAL (NOT ILLUSTRATED) | 1 |
| 74 | 310610 | FRENCH OPERATOR MANUAL (NOT ILLUSTRATED) | 1 |
| 75 | 313718 | GERMAN OPERATOR MANUAL (NOT ILLUSTRATED) | 1 |
| 76 | 322751 | ENGLISH PARTS MANUAL (NOT ILLUSTRATED) | 1 |

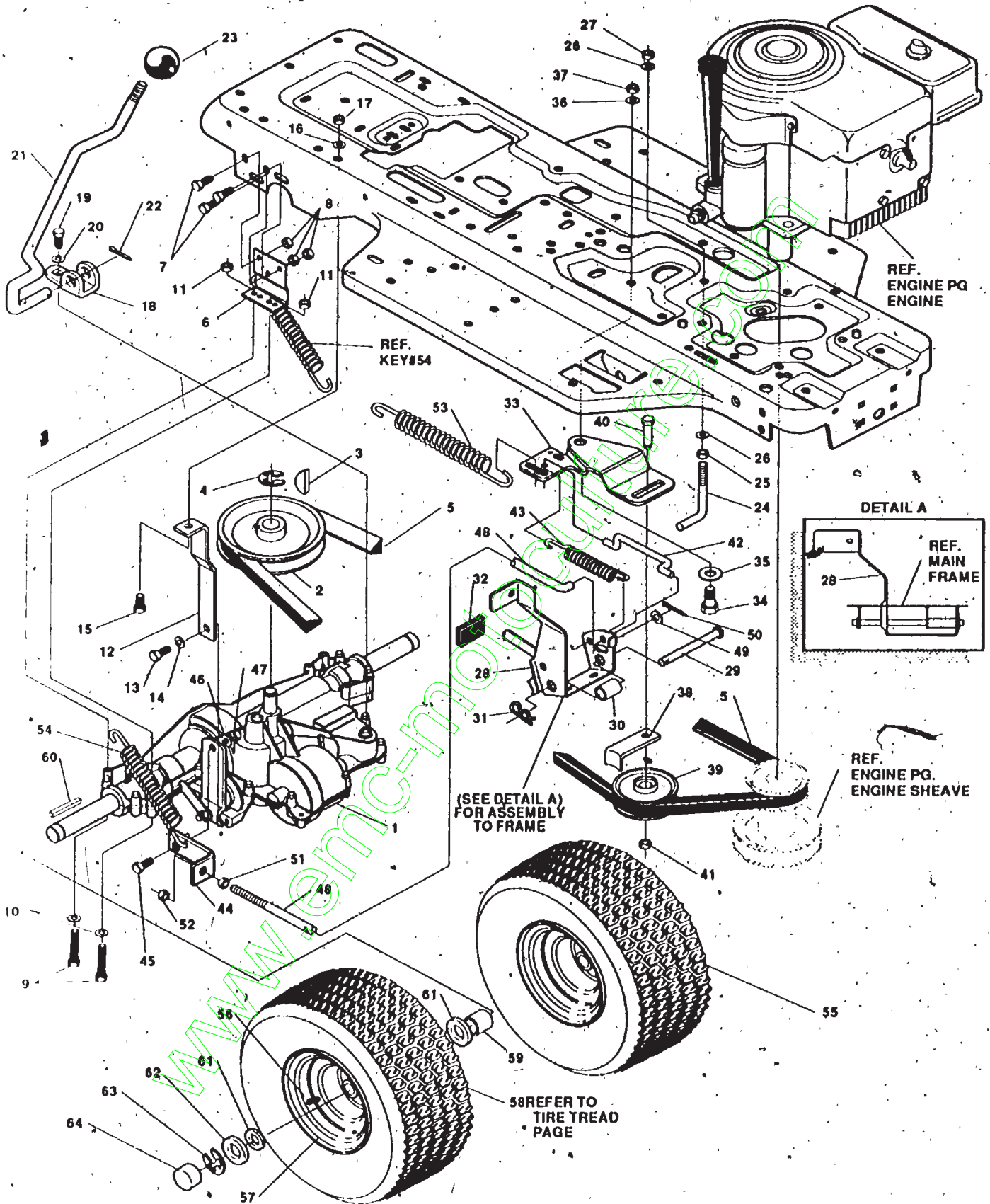
36" LAWN TRACTOR MODEL C3554-010

| key# | part# | description | qty. |
|------|------------|-----------------------------------|------|
| 1. | | FRONT AXLE ASSEMBLY SF | 1 |
| 2. | 56400 | AXLE FRONT | 1 |
| 3. | 50546 | BEARING FLANGE | 4 |
| 4. | 310368 | SPINDLE,RH | 1 |
| 5. | 36625 | RING,RETEX | 1 |
| 6. | 310367 | SPINDLE,LH | 1 |
| 7. | 49447 | ARM,STEERING LH | 1 |
| 8. | 454565 | PIN,SPRING | 1 |
| 9. | 302691 | TIE ROD | 1 |
| 10. | 122145 | SCREW, 3/8-16X1.25 HHQ | 2 |
| 11. | 120382 | WASHER, .393X.68X.10 REGSPTLK | 2 |
| 12. | 1499 | NUT, 3/8-16 REGHCTRLK | 2 |
| 13. | 304245 | SECTOR GEAR | 1 |
| 14. | 44011 | BOLT, .750X1.40 SPSH | 1 |
| 15. | 2483 | WASHER, .39IDX1.25ODX.07 | 1 |
| 16. | 39573 | SCREW, 3/8-24X1.00 NYL | 1 |
| 17. | 56191 | DRAG LINK ASSEMBLY | 1 |
| 18. | 56190 | DRAG LINK | 1 |
| 19. | 124925 | NUT, 3/8-24 REGHEXJAM | 2 |
| 20. | 21275 | BALL JOINT | 2 |
| 21. | 120382 | WASHER, EGSPTLK | 2 |
| 22. | 120369 | NUT, 3/8-24 REGHEX | 2 |
| 23. | 314109-954 | STEERING SHAFT | 1 |
| 24. | 44009 | PINION,STEERING SHAFT | 1 |
| 25. | 454565 | PIN,SPRING | 1 |
| 26. | 54902 | BEARING,1.370X.50 FLANGE STEERING | 1 |
| 27. | 39492 | RING,RETEX 1.27X.05 | 1 |
| 28. | 36625 | RING,RETEX .57X.05 | 1 |
| 29. | | ASSEMBLY, TIRE & RIM | 2 |
| 30. | 24167 | VALVE STEM | 1 |
| 31. | 39937 | WHEEL W/BEARING | 1 |
| 32. | 39979 | BEARING, 1.380DX.753ID FLANGE | 2 |
| 33. | | REFER TO TIRE TREAD PAGE | |
| 34. | 642 | WASHER,FLAT .755X1.31X.075 | 4 |
| 35. | 36625 | RING,RETEX .57X.05 | 2 |
| 36. | 40394 | HUB CAP | 2 |

- * Order Individual Parts.
- * STANDARD HARDWARE ITEMS

36" LAWN TRACTOR MODEL C3554-010

MOTION DRIVE ASSEMBLY



NOTE: ALWAYS USE ORIGINAL EQUIPMENT PARTS.
Use of service/replacement parts other than original equipment parts may void your warranty.

**ALL UNNUMBERED
ITEMS ARE INTERCHANGABLE
WITH OPPOSITE SIDE**

320304C

36" LAWN TRACTOR MODEL C3554-010

| key# | part# | description | qty. |
|------|----------|-------------------------------|------|
| 1 | SEE NOTE | TRANSAXLE FOOTE 4360-3 | 1 |
| 2 | 302745 | PULLEY, V 4L 6.60 OD | 1 |
| 3 | 3021 | KEY, WDRF 606 .750X.187X.312 | 1 |
| 4 | 22053 | RING, RETEX .58X.04TRU5100-62 | 1 |
| 5 | 54758 | BELT, V 4L 82.00 SF DRIVE | 1 |
| 6 | 7707 | BRACKET, TRANSAXLE | 2 |
| 7 | 0120228 | SCREW, 5/16-18X .63 HHC | 6 |
| 8 | 01498 | NUT, 5/16-18 REGHEXCTRLK | 6 |
| 9 | 0180112 | SCREW, 5/16-18X2.75 HHC | 4 |
| 10 | 120393 | WASHER, FLAT .344X .69X.065 | 4 |
| 11 | 01498 | NUT, 5/16-18 REGHEXCTRLK | 4 |
| 12 | 309770 | BRKT,STABILIZER 920,4360 | 1 |
| 13 | 035498 | SCREW, 5/16-18X .75 WAHTAP | 1 |
| 14 | 120638 | WASHER, HVSPTLK .328X.60X.09 | 1 |
| 15 | 0122017 | SCREW, 5/16-18X1.00 HHC | 1 |
| 16 | 138485 | WASHER, EXLK .320X.61X.03 | 1 |
| 17 | 01498 | NUT, 5/16-18 REGHEXCTRLK | 1 |
| 18 | 57480 | BRKT,SHIFT P920-5/F4360-5&3 | 1 |
| 19 | 056255 | SCREW, 1/4-28X .75 NYLHHC | 1 |
| 20 | 57157 | WASHER, .750X.250 | 1 |
| 21 | 302283 | SHIFT LEVER | 1 |
| 22 | 137185 | PIN, COTTER .125 DIA X1.00LG | 1 |
| 23 | 55514 | KNOB,SHIFT NOMA 1/2-13 | 1 |
| 24 | 49896 | BELT GUIDE | 1 |
| 25 | 0271184 | NUT, 5/16-18 HEXKEPS | 1 |
| 26 | 120393 | WASHER, FLAT .344X .69X.0652 | 2 |
| 27 | 01498 | NUT, 5/16-18 REGHEXCTRLK | 1 |
| 28 | 302603 | ASSY,BRAKE PEDAL | 1 |
| 29 | 319676 | ROD,PIVOT | 1 |
| 30 | 302601 | SPACER, .53IDX.62DX1.406 | 1 |
| 31 | 56180 | PIN, HAIR | 1 |
| 32 | 48761 | PAD,CLUTCH/BRAKE PEDAL | 1 |
| 33 | 1306 | IDLER ARM BRKT TRACTION | 1 |
| 34 | 41890 | BOLT, .625X .218 HHSH 5/16-18 | 1 |
| 35 | 4107 | WASHER, FLAT .635X1.31X.07 | 1 |
| 36 | 45602 | WASHER, FLAT .333X .87X.119 | 1 |
| 37 | 01498 | NUT, 5/16-18 REGHEXCTRLK | 1 |
| 38 | 39659 | RETAINER, STRAP BELT | 1 |
| 39 | 35374 | PULLEY, IDLER | 1 |
| 40 | 45892 | BOLT, 3/8-16X1.50 CARR | 1 |
| 41 | 01499 | NUT, 3/8-16 REGHXCTRLK | 1 |
| 42 | 43980 | ROD, .268 DIA CLUTCH | 1 |
| 43 | 50562 | SPRING,3/8ODX1.625X.055 | 1 |
| 44 | 54723 | BRACKET, BRAKE ROD | 1 |
| 45 | 20507 | BOLT, .437X .156 HHSH 5/16-18 | 1 |
| 46 | 120393 | WASHER, FLAT .344X .69X.065 | 1 |
| 47 | 01498 | NUT, 5/16-18 REGHEXCTRLK | 1 |
| 48 | 310189 | BRAKE ROD | 1 |
| 49 | 120393 | WASHER, FLAT .344X .69X.065 | 1 |
| 50 | 121222 | PIN, COTTER .090X.086X.75LG | 1 |
| 51 | 0271184 | NUT, 5/16-18 HEXKEPS | 1 |
| 52 | 01498 | NUT, 5/16-18 REGHEXCTRLK | 1 |
| 53 | 49276 | SPRING,3/4 ODX6.75X.091 | 1 |
| 54 | 35410 | SPRING .071 X .62 X 4.37 | 1 |
| 55 | | TIRE&RIM ASM,18X6.50-8 | 2 |
| 56 | 24167 | VALVE STEM | 1 |
| 57 | 36182 | WHEEL HUB | 1 |
| 58 | | REFER TO TIRE TREAD PAGE | |
| 59 | 57479 | SPACER, .75 X 1.25 X 1.32 | 2 |
| 60 | 52928 | KEY, SQUARE .187SQX2.25L | 2 |
| 61 | 642 | WASHER, FLAT .755X1.31X.075 | 4 |
| 62 | 42815 | WASHER, FLAT .755X1.63X.07 | 2 |
| 63 | 36625 | RING, RETEX .57X.06TRU5133-75 | 2 |
| 64 | 40394 | CAP, 1.500ID X 7/8LG HUB | 2 |

CONTACT YOUR NEAREST FOOTE TRANSAXLE DEALER FOR PARTS AND SERVICE.

0 Indicates STANDARD HARDWARE ITEMS.

* ORDER INDIVIDUAL PARTS

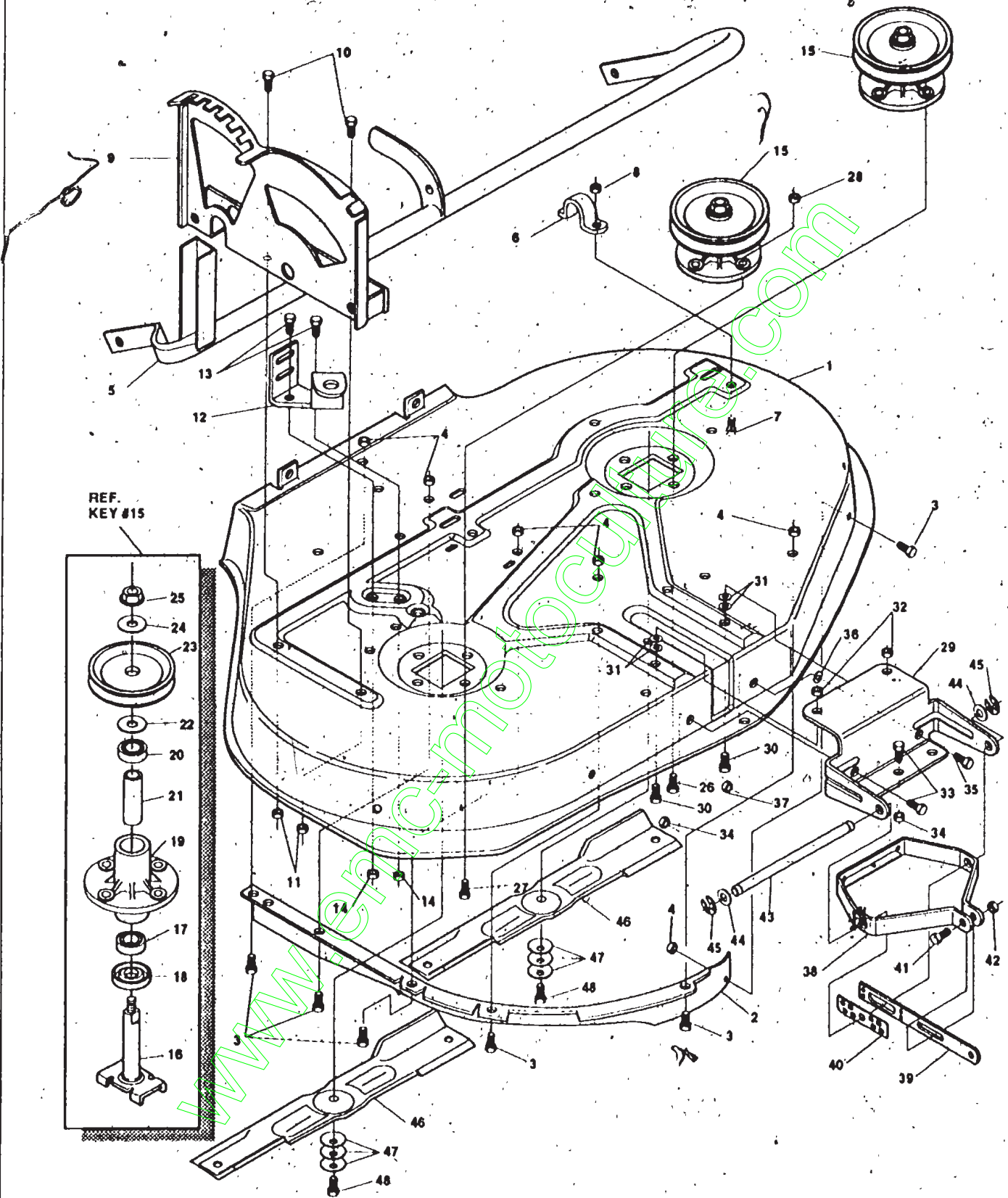
36" LAWN TRACTOR MODEL C3554-010

| key# | part# | description | qty |
|------|---------|---------------------------------|-----|
| 1 | ENGINE | 10 HP-B&S (SEE ENGINE MANUAL) | 1 |
| 2 | 050947 | SCREW, 3/8-16X1.25 WAHHTAP | 4 |
| 3 | 0138489 | WASHER, EXLK 384X 69X 04 | 1 |
| 4 | 305367 | MUFFLER-LO TONE NELSON EXPORT | 1 |
| 5 | 54767 | SHIELD, HEAT, FOR ROUND MUFFLER | 1 |
| 6 | 0173063 | SCREW, 5/16-18X3.50 HHC | 2 |
| 7 | 46708 | GASKET, MUFFLER | 1 |
| 8 | 315317 | PULLEY, ENGINE, 4.00 OFFSET | 1 |
| 9 | 303151 | KEY, SQUARE .249SQX4.60LG | 1 |
| 10 | 304246 | SPACER, 1.01X1.484 ENGIN PULLEY | 1 |
| 11 | 56431 | WASHER, 980IDX1.380DX.437PILOT | 1 |
| 12 | 0120383 | WASHER, REGSPTLK 459X 78X 12 | 1 |
| 13 | 0433146 | SCREW, 7/16-20X4.25 HHC | 1 |
| 14 | 314989 | TANK, FUEL, 1 GAL | 1 |
| 15 | 049050 | SCREW, 1/4-10X .75PHPNTAP | 4 |
| 16 | 47452 | GAS LINE 25ID | 12 |
| 17 | 48672 | CLAMP, FUEL LINE | 2 |
| 18 | 46704 | GAS CAP 1-1/2-7-THD | 1 |
| 19 | 57444 | TIE, CABLE | 1 |
| 20 | 320031 | THROTTLE CONTROL | 1 |
| 21 | 035291 | SCREW, 10-24X .50 SLHHMA | 2 |
| 22 | 0271166 | NUT, #10-24 HEXKEPS | 2 |
| 23 | 50607 | KNOB, ROUND THROTTLE | 1 |

0 Indicates STANDARD HARDWARE ITEMS.

36" LAWN TRACTOR MODEL C3554-010

PRE-PAINTED DECK



NOTE: ALWAYS USE ORIGINAL EQUIPMENT PARTS. Use of service/replacement parts other than original equipment parts may void your warranty.

ALL UNNUMBERED ITEMS ARE INTERCHANGABLE WITH OPPOSITE SIDE

36" LAWN TRACTOR MODEL C3554-010

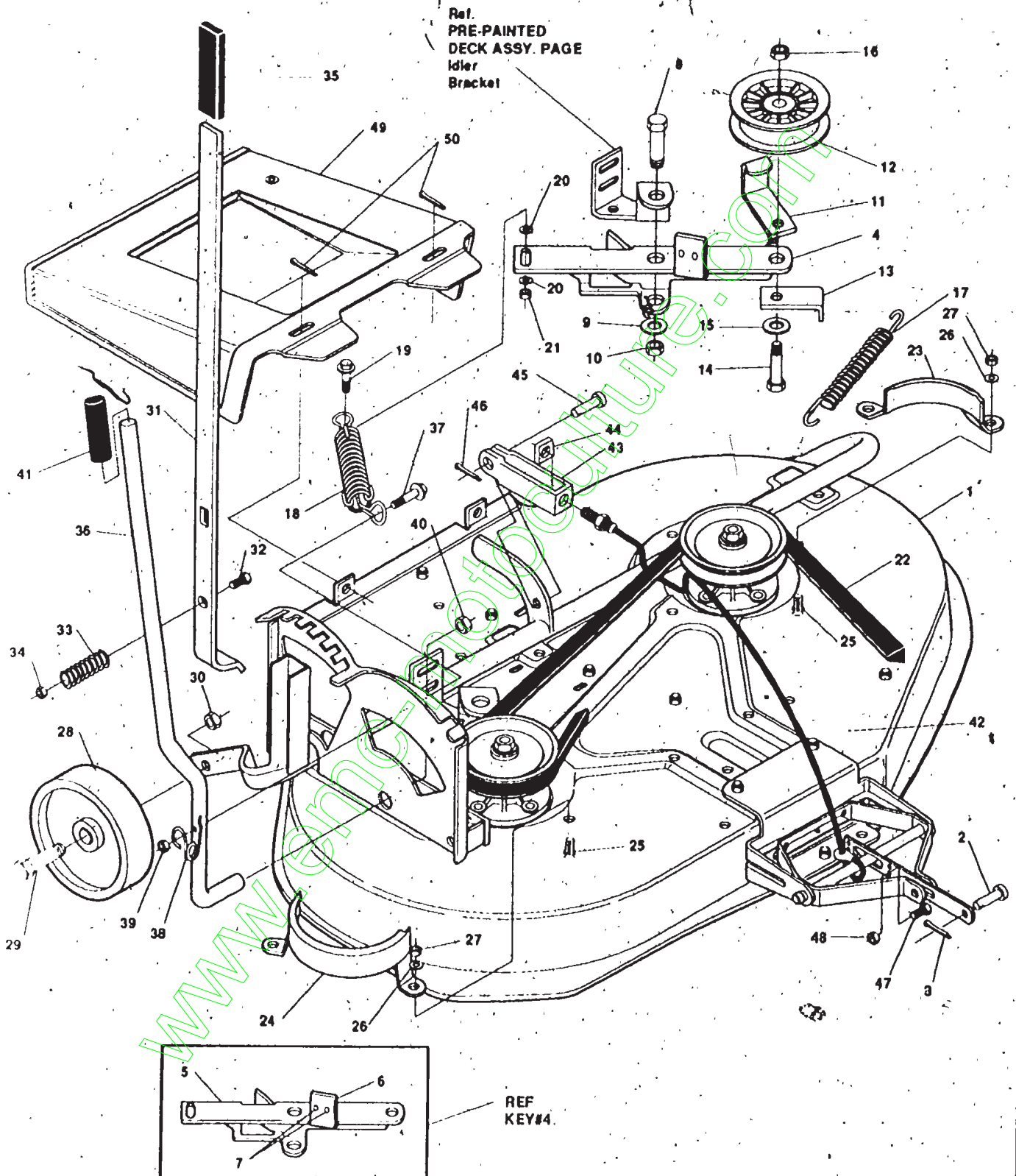
| key# | part# | description | qty. |
|------|---------|-------------------------------|------|
| 1 | 316246 | DECK, 36WH RD MOWER | 1 |
| 2 | 55655 | BAFFLE, 36RD LH DECK | 1 |
| 3 | 0120228 | SCREW, 5/16-18X 63 HHC | 6 |
| 4 | 01498 | NUT, 5/16-18 REGHEXCTRLK | 6 |
| 5 | 52613 | ASSY TORQUE TUBE | 1 |
| 6 | 51985 | SUPPORT PIVOT TUBE | 1 |
| 7 | 0120834 | SCREW, 5/16-18X 50 HHC | 1 |
| 8 | 01498 | NUT, 5/16-18 REGHEXCTRLK | 1 |
| 9 | 53247 | QUADRANT | 1 |
| 10 | 0120834 | SCREW, 5/16-18X 50 HHC | 2 |
| 11 | 01498 | NUT, 5/16-18 REGHEXCTRLK | 2 |
| 12 | 57514 | BRACKET, IDLER | 1 |
| 13 | 0120228 | SCREW, 5/16-18X 63 HHC | 2 |
| 14 | 01498 | NUT, 5/16-18 REGHEXCTRLK | 2 |
| 15 | 56424 | QUILL ASSY, 36/39/40/43 | 2 |
| 16 | 56425 | SHAFT/SADDLE 36" | 1 |
| 17 | 49562 | BRNG, BALL | 1 |
| 18 | 50616 | DUST SHIELD | 1 |
| 19 | 55547 | QUILL CASTING | 1 |
| 20 | 49562 | BRNG, BALL | 1 |
| 21 | 50818 | SPACER, 3.797LGX 669IDX 88 | 1 |
| 22 | 51449 | SPACER, 438LGX 932ODX 672 | 1 |
| 23 | 56390 | PULLEY, 26/36" QUILL | 1 |
| 24 | 56365 | SPECIAL WASHER | 1 |
| 25 | 01282 | NUT, 7/16-20 WDFLLK | 1 |
| 26 | 050634 | SCREW, 5/16-18X 88 WAHTAP | 7 |
| 27 | 0300345 | SCREW, 5/16-18X1.38 WATAP | 1 |
| 28 | 01498 | NUT, 5/16-18 REGHEXCTRLK | 1 |
| 29 | 48676 | LIFT PLATE | 1 |
| 30 | 0122007 | SCREW, 5/16-18X .75 HHC | 2 |
| 31 | 996416 | WASHER, FLAT .391X1.00X 125 | 4 |
| 32 | 01498 | NUT, 5/16-18 REGHEXCTRLK | 2 |
| 33 | 0120228 | SCREW, 5/16-18X 63 HHC | 2 |
| 34 | 01498 | NUT, 5/16-18 REGHEXCTRLK | 2 |
| 35 | 0122017 | SCREW, 5/16-18X1.00 HHC | 1 |
| 36 | 996416 | WASHER, FLAT .391X1.00X 125 | 1 |
| 37 | 01498 | NUT, 5/16-18 REGHEXCTRLK | 1 |
| 38 | 50613 | BRACKET, PIVOT | 1 |
| 39 | 49059 | BAR, HITCH | 1 |
| 40 | 49058 | BRACKET, LOCK | 1 |
| 41 | 0120918 | SCREW, 3/8-16X1 50 HHC | 1 |
| 42 | 01499 | NUT, 3/8-16 REGHXCTRLK | 1 |
| 43 | 55724 | PIN, PIVOT ROD 50DX7 55 | 1 |
| 44 | 996425 | WASHER, FLAT .515X .88X.064 | 2 |
| 45 | 20864 | RING, RET E .39X 04TRU5133-50 | 2 |
| 46 | 56821 | BLADE, 36" STD-LIFT 18" | 2 |
| 47 | 2483 | WASHER, 39DX1 25DX 07 BELLVIL | 6 |
| 48 | 039573 | SCREW, 3/8-24X1 00 NYLHHC | 2 |

◊ Indicates STANDARD HARDWARE ITEMS

36" LAWN TRACTOR MODEL C3554-010

FINAL DECK ASSEMBLY

SEE DWG #316030 FOR PARTS ASSY
OF PAINTED DECK



NOTE: ALWAYS USE ORIGINAL EQUIPMENT PARTS.
Use of service/replacement parts other than original equipment parts may void your warranty.

ALL UNNUMBERED ITEMS ARE INTERCHANGABLE WITH OPPOSITE SIDE

316836B

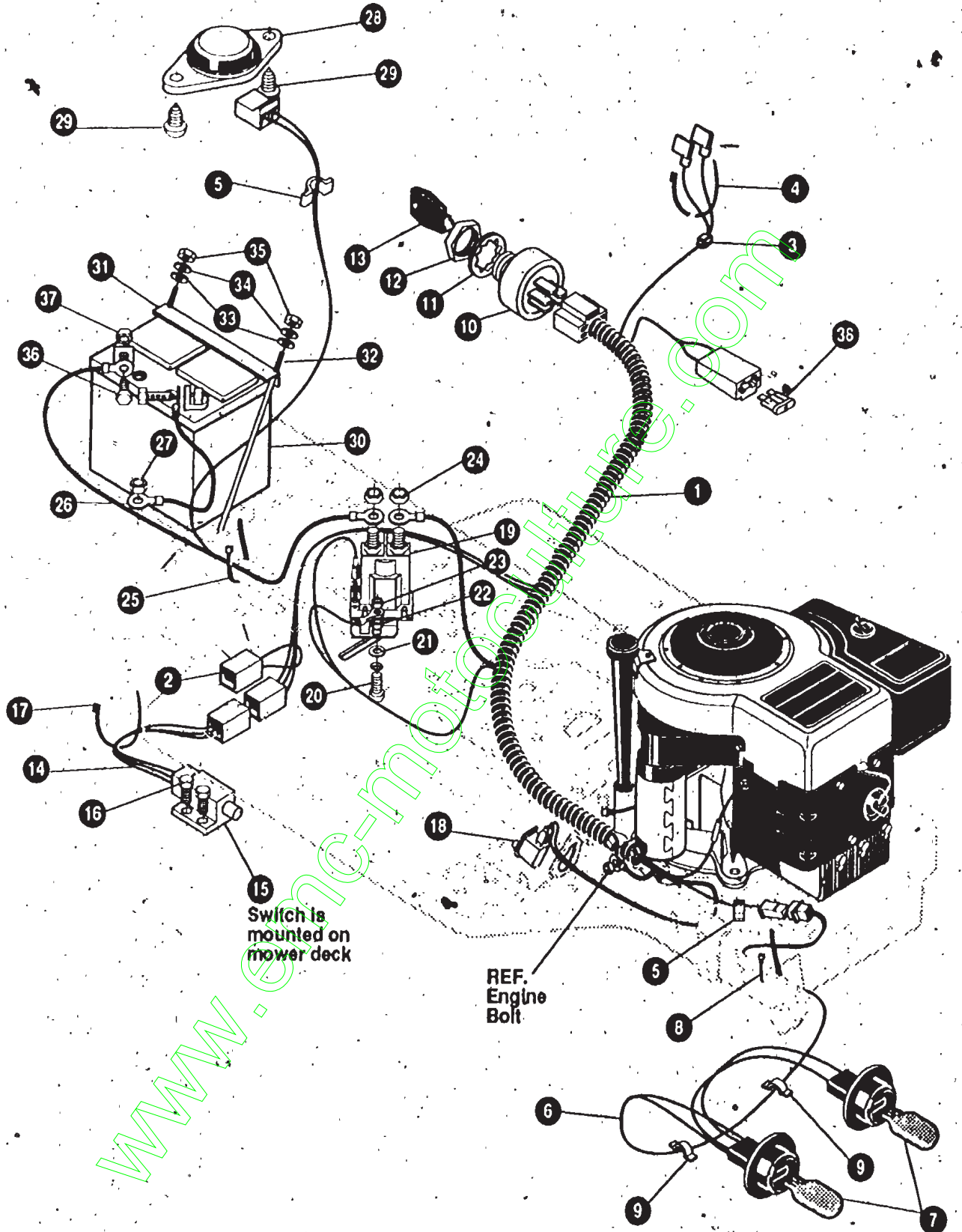
36" LAWN TRACTOR MODEL C3554-010

| key# | part# | description | qty. |
|------|--------|---|------|
| 1 | | PAINTED DECK ASSEMBLY SEE #316030 FOR PARTS ASSEMBLY | |
| 2 | 47816 | PIN, 495X1 750 CLEVIS-SHORT | 1 |
| 3 | 56180 | PIN, HAIR 091 DIA X1 62LG | 1 |
| 4 | 311427 | IDLER, ASSY PIVOT ARM | 1 |
| 5 | 311426 | PIVOT ARM IDLER BLK | 1 |
| 6 | 306973 | BRAKE PAD - HARD - 232AF | 1 |
| 7 | 41601 | RIVET, OVSET 187DIA X 50LG | 2 |
| 8 | 47516 | BOLT, 500X1 950 HSH 3/8-16 | 1 |
| 9 | 996416 | WASHER, FLAT 391X1 00X 125 | 1 |
| 10 | 1499 | NUT, 3/8-16 REGHXCTRLK | 1 |
| 11 | 7354 | RETAINER BELT | 1 |
| 12 | 303028 | PULLEY, IDLER BFF 3.13 DIA | 1 |
| 13 | 306893 | BRACKET, L-SHAPED | 1 |
| 14 | 122168 | SCREW, 3/8-16X1.75 HHC | 1 |
| 15 | 446363 | WASHER, FLAT 375X .88X 082 | 1 |
| 16 | 1499 | NUT, 3/8-16 REGHXCTRLK | 1 |
| 17 | 35440 | SPRING .071 X .62 X 4.37 | 1 |
| 18 | 52636 | SPRING | 1 |
| 19 | 46563 | BOLT, 375X .250 SHWA 1/4-20 | 1 |
| 20 | 120392 | WASHER, FLAT .281X .63X 065 | 2 |
| 21 | 1502 | NUT, 1/4-20 REGHEXCTRLK | 1 |
| 22 | 308701 | BELT, V 5L 80.00 DECK 36RD EXP | 1 |
| 23 | 307549 | COVER, QUILL LH | 1 |
| 24 | 307548 | COVER, QUILL RH | 1 |
| 25 | 120228 | SCREW, 5/16-18X1.00 HHC | 4 |
| 26 | 120393 | WASHER, FLAT .344X .69X 065 | 4 |
| 27 | 1498 | NUT, 5/16-18 REGHEXCTRLK | 4 |
| 28 | 302611 | WHEEL, SD 6.00ODX1.38WD | 2 |
| 29 | 23763 | BOLT, 500X1.390 HSH 3/8-16 | 2 |
| 30 | 1499 | NUT, 3/8-16 REGHXCTRLK | 2 |
| 31 | 307050 | LEVER HEIGHT ADJ | 1 |
| 32 | 120696 | SCREW, 5/16-18X2.25 HHC | 1 |
| 33 | 53246 | SPRING | 1 |
| 34 | 1498 | NUT, 5/16-18 REGHEXCTRLK | 1 |
| 35 | 20250 | GRIP, HAND 75X4.87 | 1 |
| 36 | 305383 | LEVER, BLADE ENGAGE 32RD&36RD | 1 |
| 37 | 1289 | BOLT, 375X .250 SHWA 1/4-20 | 1 |
| 38 | 46561 | SPRING, TORSION 36RD, 32RD | 1 |
| 39 | 1502 | NUT, 1/4-20 REGHEXCTRLK | 1 |
| 40 | 53697 | NUT, 1/2 PUSHON | 1 |
| 41 | 46478 | GRIP, HAND 50ID 3 37LG BLK | 1 |
| 42 | 300341 | CABLE, LIFT 21.70 F-5 20X8-8 | 1 |
| 43 | 9405 | CLEVIS, LIFT CABLE | 1 |
| 44 | 120372 | NUT, 1/4-20 REGSQ | 1 |
| 45 | 39522 | PIN CLEVIS 312 X .812 | 1 |
| 46 | 56180 | PIN, HAIR 091 DIA X1 62LG | 1 |
| 47 | 120228 | SCREW, 5/16-18X 63 HHC | 1 |
| 48 | 1498 | NUT, 5/16-18 REGHEXCTRLK | 1 |
| 49 | 50993 | CHUTE EXTENSION PLASTIC 36"RD | 1 |
| 50 | 120123 | PIN, COTTER 125 DIA X1 25LG | 2 |

* Order Individual Parts.
 ◊ Indicates STANDARD HARDWARE ITEMS

36" LAWN TRACTOR MODEL C3554-010

ELECTRICAL ASSEMBLY



Switch is mounted on mower deck

REF. Engine Bolt

ALL UNNUMBERED ITEMS ARE INTERCHANGABLE WITH OPPOSITE SIDE

NOTE: ALWAYS USE ORIGINAL EQUIPMENT PARTS. Use of service/replacement parts other than original equipment parts may void your warranty.

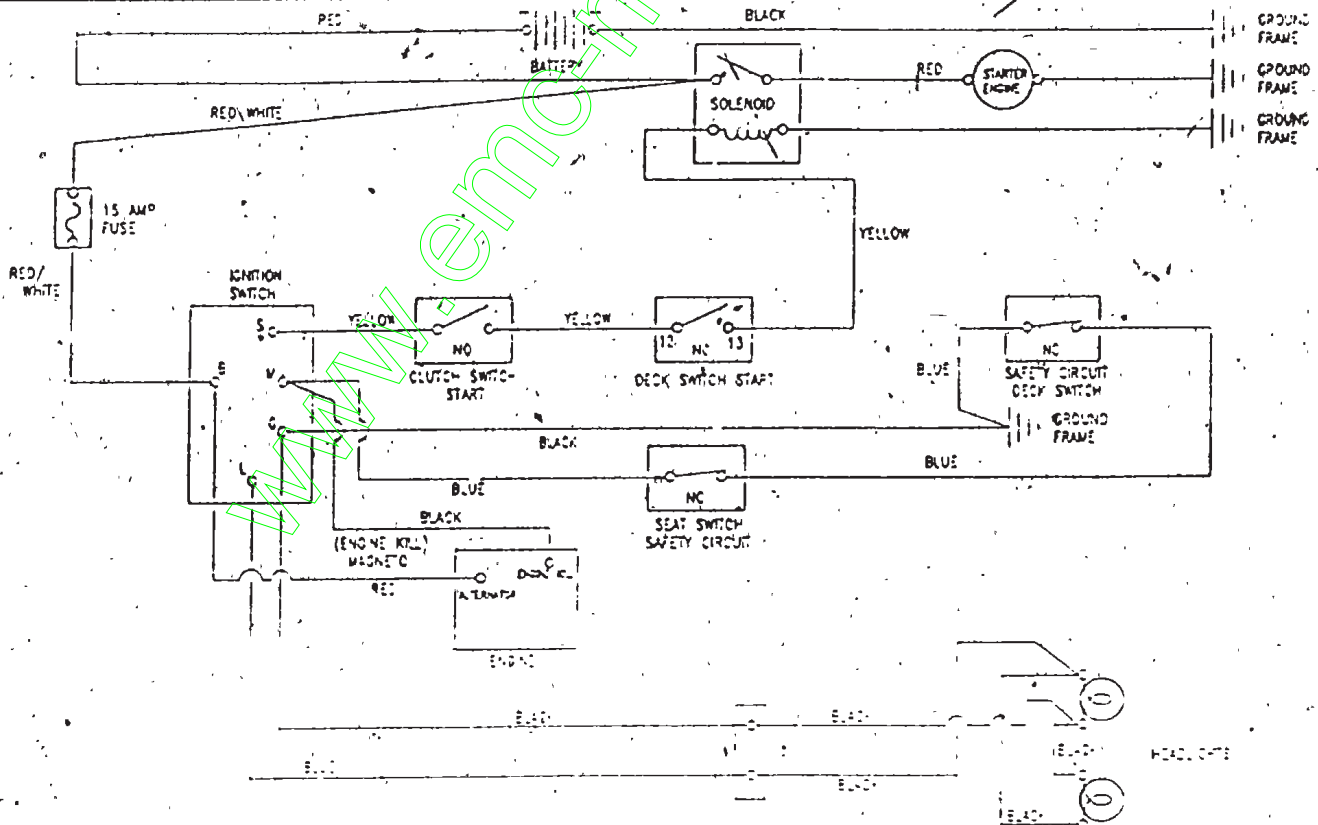
320914B

36" LAWN TRACTOR MODEL C3554-010

| key# | part# | description | qty. |
|------|--------|---------------------------------|------|
| 1. | 322087 | WIRE HARNESS SF 8-12B&S | 1 |
| 2. | 322296 | BY-PASS FOR GROUND SUPPORT | 1 |
| 3. | 322298 | SPLICER | 1 |
| 4. | 57444 | CABLE TIE | 1 |
| 5. | 41482 | PRESS CLIP, 1.380LG .255ID | 2 |
| 6. | 303064 | ASSY, LIGHT WIRE-1/4 TURN | 1 |
| 7. | 52572 | BULB, HEADLAMP | 2 |
| 8. | 57444 | TIE, CABLE BLACK NYLON 5.62L | 1 |
| 9. | 41482 | PRESS CLIP, 1.380LG .255ID | 2 |
| 10. | 300687 | SWITCH, IGNITION & LIGHTS | 1 |
| 11. | 138557 | WASHER, REGINTLK.640X1.1X.05 | 1 |
| 12. | 48140 | NUT, 5/8-32 HXHD IGN SWIT | 1 |
| 13. | 49643 | 2 KEYS & RING, ASSY BLANK | 1 |
| 14. | 57588 | HARNESS, DECK WIRE SHORT 4 WIRE | 1 |
| 15. | 57476 | SWITCH, SCR MNT DP NC NO BLK | 1 |
| 16. | 57220 | SCREW, #12 X .50 PHPNHTAP BLK | 2 |
| 17. | 57444 | TIE, CABLE BLACK NYLON 5.62L | 1 |
| 18. | 300220 | SWITCH, SNAPMNT NO .055V.116BLK | 1 |
| 19. | 53716 | SOLENOID | 1 |
| 20. | 187745 | SCREW, 1/4-20X .75 HXSEMMA | 2 |
| 21. | 1084 | WASHER, FLAT .281X1.00X.063 | 1 |
| 22. | 1502 | NUT, 1/4-20 REGHEXCTRLK | 2 |
| 23. | 271172 | NUT, 1/4-20 REGHEXKEPS | 1 |
| 24. | 271187 | NUT, 5/16-24 HKEPS | 2 |
| 25. | 57444 | TIE, CABLE BLACK NYLON 5.62L | 1 |
| 26. | 55511 | WIRE, GROUND, 12.5" | 1 |
| 27. | 271184 | NUT, 5/16-18 HEXKEPS | 1 |
| 28. | 57547 | SWITCH, SEAT | 1 |
| 29. | 160505 | SCREW, 1/4-20X .38PHPNHMAGR2 | 2 |
| 30. | 57486 | BATTERY, YUASA 12V 5-PLATE | 1 |
| 31. | 56360 | BATTERY BRACKET | 1 |
| 32. | 40234 | BATTERY ROD | 2 |
| 33. | 120392 | WASHER, FLAT .281X .63X.065 | 2 |
| 34. | 120380 | WASHER, REGSPTLK.263X.49X.07 | 2 |
| 35. | 120375 | NUT, 1/4-20 REGHEX | 2 |
| 36. | 120854 | SCREW, 1/4-20X .63 HHC | 2 |
| 37. | 271172 | NUT, 1/4-20 REGHEXKEPS | 2 |
| 38. | 302031 | FUSE, 15 AMP SPAPE TYPE | 1 |

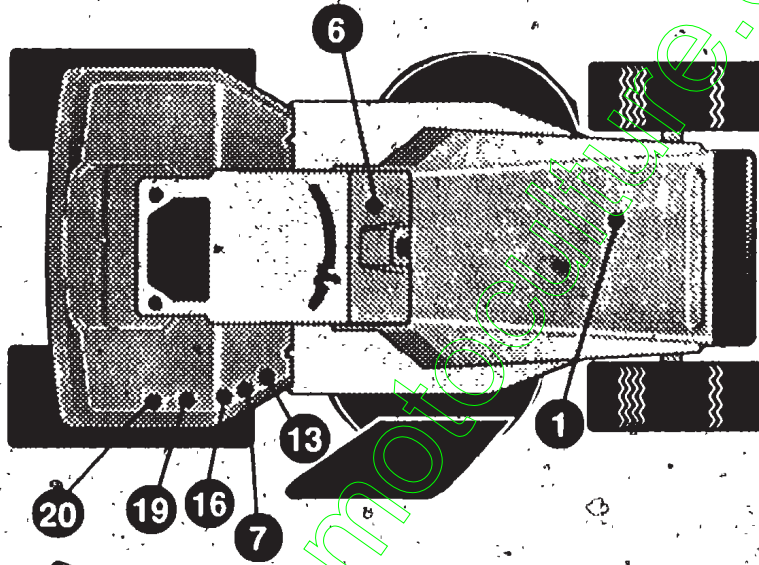
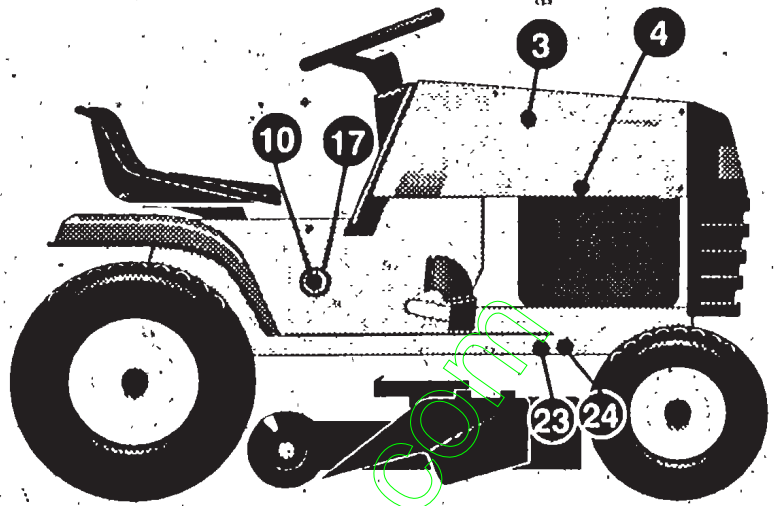
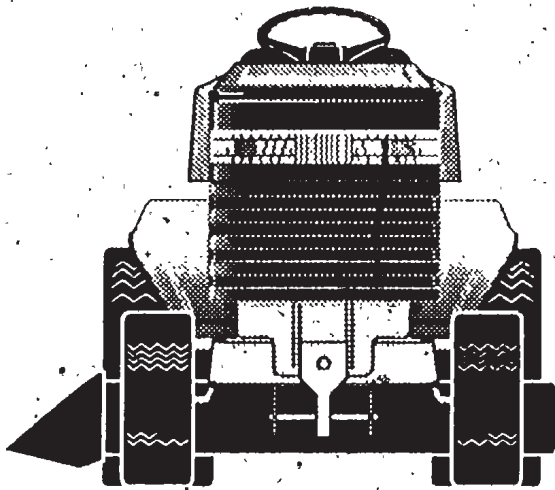
• INDICATES STANDARD HARDWARE ITEMS
 •• Spade type fuse Included with the wire harness.

SCHEMATIC DRAWING:

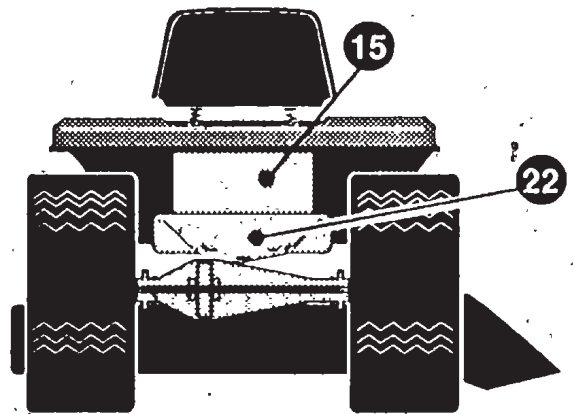
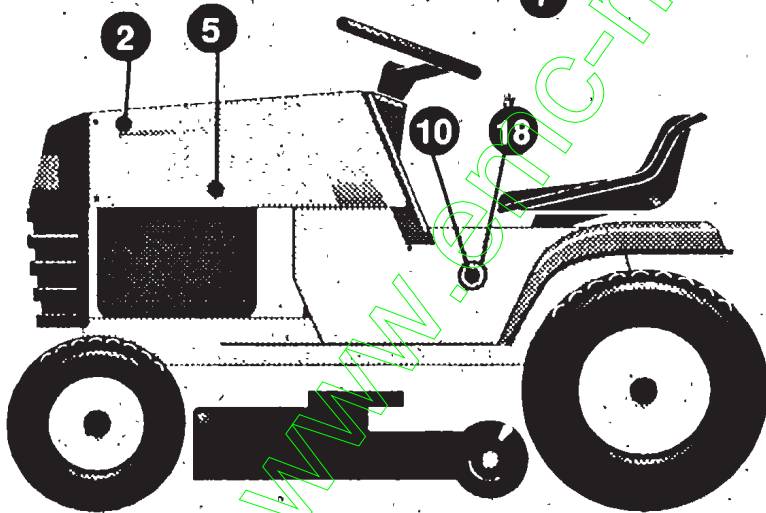
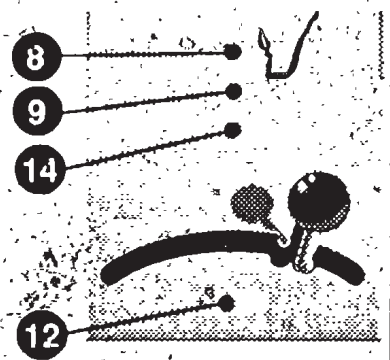


36" LAWN TRACTOR MODEL C3554-010

DECALS



CONSOLE DETAIL

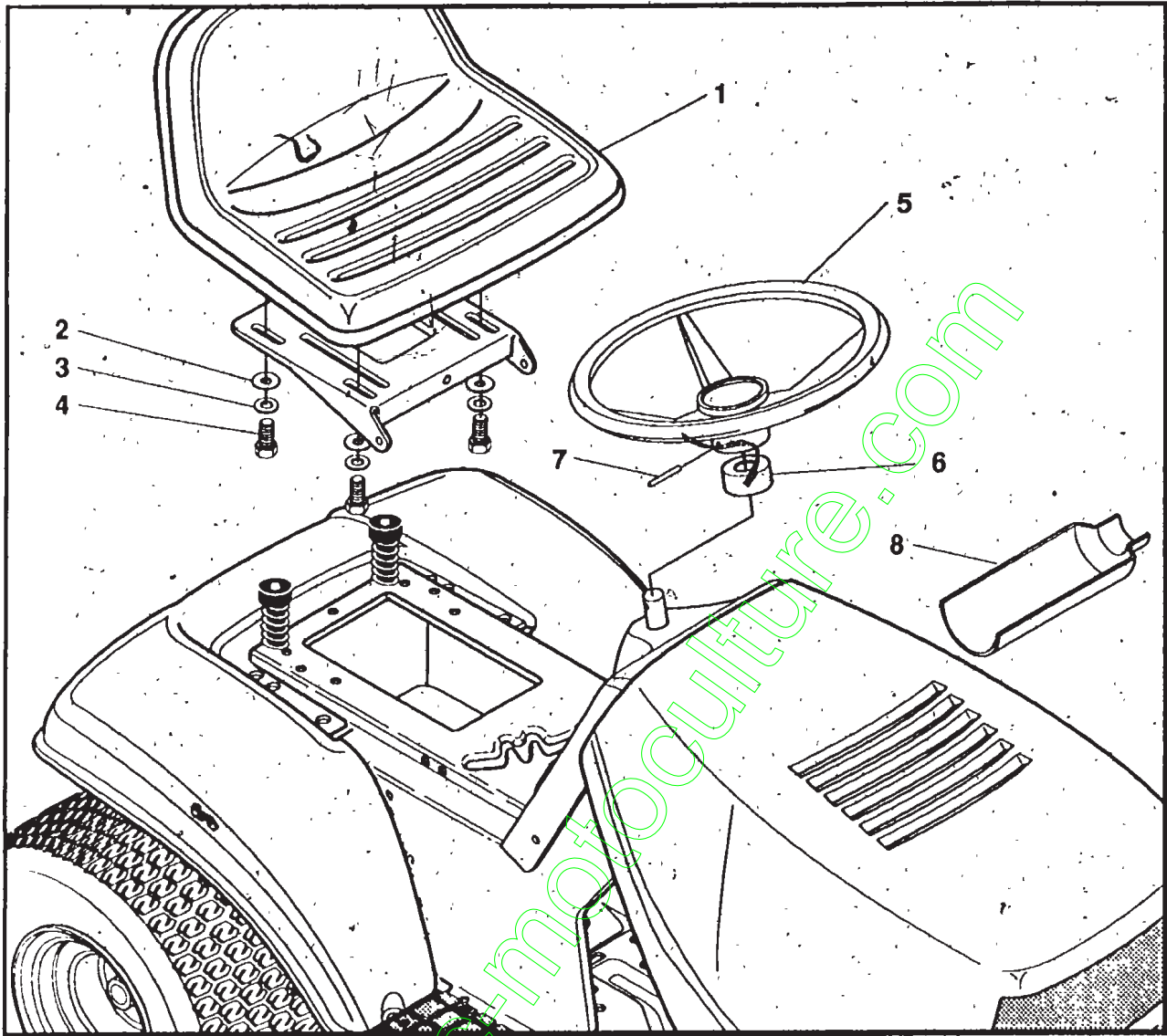


36" LAWN TRACTOR MODEL C3554-010

| key# | part# | description | qty. |
|------|--------|----------------------------------|------|
| 1. | 55832 | PAD, FOAM TOP HOOD | 1 |
| 2. | 55833 | PAD, FOAM HOOD SIDE LH | 1 |
| 3 | 55834 | PAD, FOAM HOOD SIDE RH | 1 |
| 4 | 314456 | DECAL, HOODSIDE RH | 1 |
| 5 | 314457 | DECAL, HOODSIDE LH | 1 |
| 6. | 320684 | DECAL DASH | 1 |
| 7. | 68902 | DECAL, WARNING, FRENCH/GERMAN | 1 |
| 8 | 69524 | DECAL, INSTRUCT CONSOLE TOP GER | 1 |
| 9 | 69525 | DECAL, INSTRUCT CONSOLE TOP FR | 1 |
| *10. | 300557 | NAME PLATE, 10/36 WHITE | 2 |
| 11. | | REFERENCE ONLY | 1 |
| 12 | 307047 | DECAL, 3-SPEED CONSOLE TOP | 1 |
| 13. | 305770 | DECAL, CAUTION TRIANGLE EUROPE | 1 |
| 14 | 307383 | DECAL, INSTR CONSOLE TOP ENGLISH | 1 |
| 15. | 310436 | DECAL, FRENCH SAFETY CERT. | 1 |
| 16. | 310553 | DECAL, DANGER ENGLISH | 1 |
| 17. | 314460 | DECAL, CONSOLE RH STRETCH FRM | 1 |
| 18. | 314461 | DECAL, CONSOLE LH STRETCH FRM | 1 |
| 19. | 68900 | DECAL, BLADE ENGAGE EUROPE | 1 |
| 20. | 68901 | DECAL, BLADE HEIGHT ADJ. EUROPE | 1 |
| 21. | | REFERENCE ONLY | 1 |
| 22. | 68542 | DECAL, CAUTION HAND-FOOT FR/GR | 1 |
| 23 | 67667 | DECAL, CHECK OIL LEVEL | 1 |
| 24. | 68903 | DECAL, BRAKE/CLUTCH EUROPE | 1 |

www.emc-motoculture.com

CUSTOMER ASSEMBLY

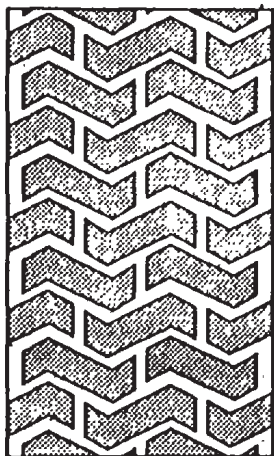


CUSTOMER ASSEMBLY VIEW

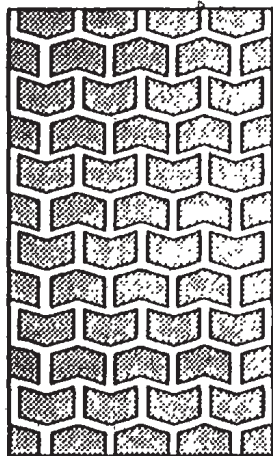
315134 PARTS BAG ASSY QTY1

| key# | part# | decription | qty |
|------|--------|-------------------------------|-----|
| 1 | 57452 | SEAT.MV350 | 1 |
| 2 | 120393 | WASHER,FLAT .344X.69X.065 | 4 |
| 3 | 180638 | WASHER,HVSPLTLK .328X.60X.109 | 4 |
| 4 | 122007 | SCREW, 5/16-18X.75'HHC | 4 |
| 5 | 301251 | STEERING WHEEL | 1 |
| 6 | 323758 | STEERING, SLEEVE | 1 |
| 7 | 456378 | ROLL PIN .250DIAX2.0LG | 1 |
| 8 | 54873 | OIL TROUGH | 1 |

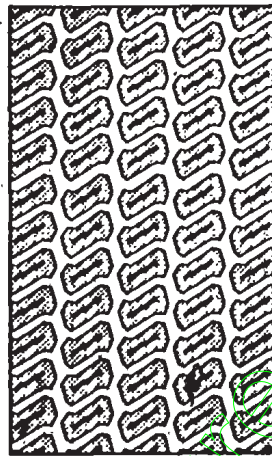
TREAD PATTERNS



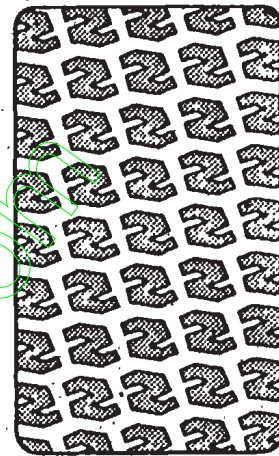
"A"



"B"



"C"



"D"

| TIRE SIZE | "A" | "B" | "C" | "D" |
|-----------------|--------|--------|--------|--------|
| 11 X 4.00 - 5 | 42295 | 319679 | | |
| 13 X 5.00 - 6 | 41060 | 319680 | | |
| 15 X 6.00 - 6 | 39830 | 316702 | 301140 | 313952 |
| 16 X 6.50 - 8 | 41081 | 319682 | | 314539 |
| 18 X 8.50 - 8 | 319683 | 317400 | | |
| 18 X 9.50 - 8 | 41106 | 316701 | | 313950 |
| 20 X 8.00 - 8 | 319685 | 319684 | 57164 | 314584 |
| 20 X 10.00 - 8 | 58276 | 319686 | | 313654 |
| 20 X 10.00 - 10 | 55893 | 319687 | | |
| 23 X 9.50 - 12 | 53655 | 319690 | 319689 | 314370 |

ACCESSORIES

Contact the dealer where your tractor was purchased for the available accessories. If you are unable to contact the dealer, write to the address on the front cover of this manual.

Rear Engine Rider

| Model | Description |
|---------|----------------------------------|
| 5708-16 | Bagger - Fits 32" Side Discharge |
| 5708-17 | Bagger - Fits 36" Side Discharge |
| 5709-02 | Front Weight Box - holds 35 lbs. |
| 5648-16 | Lawn Sweeper w/dump Release |

Lawn Tractor

| Model | Description |
|---------|---|
| 5708-22 | Bagger - Fits 30" Side Discharge |
| 5708-13 | Bagger - Fits 36", 38", 39" & 45" Side Discharge |
| 5705-04 | 36" Two-Stage Snowblower - Fits 36", 38", 39", & 45" Side Discharge |
| 5661-06 | 42" Snowblade - Fits 36", 38", 39", & 45" |
| 5592-00 | Tire Chains - 18" x 6.50" |
| 5585-00 | Tire Chains - 18" x 9.50" & 20" x 8" |
| 5672-01 | Wheel Weights - Front - 1 pr. w/mtg. hdw. - Fits 15" tires |
| 5673-02 | Wheel Weights - Rear - 1 pr. w/mtg. hdw. - Fits 18" & 20" tires |
| 5709-03 | Front Weights - Fits 30" & 32" Side Discharge |
| 5648-16 | Lawn Sweeper w/dump Release |

Garden Tractor - Light Ground Engaging

| Model | Description |
|----------|---|
| 5708-13 | Bagger - Fits 36", 38", 39", & 45" Side Discharge |
| 5705-04 | 36" Two - Stage Snowblower - Fits 36", 38", 39", & 45" |
| 5661-06 | 42" Snowblade - Fits 36", 38", 39", & 45" |
| 5672-01 | Wheel Weights - Front 1 pr. w/mtg. hdw. - Fits 15" tires |
| 5673-02 | Wheel Weights - Rear - 1 pr. w/mtg. hdw. - Fits 18" & 20" tires |
| 5648-16 | Lawn Sweeper w/dump Release |
| 5667-02 | Sleeve Hitch - w/lift bar - Fits 45" |
| 5668-01 | Adaptor (sleeve hitch) for use w/23" tires |
| 5706-00 | Tire Chains - 20" x 10" |
| 5671-00 | Tire Chains - 23" x 9.50" |
| 5672-02 | Wheel Weights - Front - 1 pr. w/mtg. hdw. Fits 16" tires |
| 5673-00 | Wheel Weights - Rear - 1 pr. w/mtg. hdw. Fits 23" tires |
| 5674-01* | 10" One Bottom Moldboard Plow |
| 5675-01* | Cultivator - 7 row - Adj. 6" - 42" width |
| 5676-01* | Disc Harrow - 8" & 11" disc. Adj. width & disc angle |
| 5677-02* | Tiller - 5 H.P. Self-Powered - 28" width |

Four Wheel Steer

| Model | Description |
|---------|---|
| 5708-14 | Bagger - Fits 40" & 46" Side Discharge |
| 5705-05 | 42" One-Stage Snowblower - Fits 40" & 46" |
| 5661-07 | 48" Snowblade - Fits 40" & 46" |
| 5709-04 | Rear Weight Box for 40" & 46" |
| 5648-16 | Lawn Sweeper w/dump Release |
| 5706-00 | Tire Chains - 20" x 10" |
| 5671-00 | Tire Chains - 23" x 9.50" |
| 5672-02 | Wheel Weights - Front - 1 pr. w/mtg. hdw. Fits 16" tires |
| 5673-00 | Wheel Weights - Rear - 1 pr. w/mtg. hdw. Fits 23" tires |
| 5672-01 | Wheel Weights - Front - 1 pr. w/mtg. hdw. Fits 15" tires |
| 5673-02 | Wheel Weights - Rear - 1 pr. w/mtg. hdw. Fits 18" & 20" tires |

Two Wheel Steer Garden Tractor

| Model | Description |
|----------|--|
| 5667-04 | Sleeve Hitch - w/lift bar - Fits 46" |
| 5674-01* | 10" One Bottom Moldboard Plow |
| 5675-01* | Cultivator - 7 row - Adj. 6" - 42" width |
| 5676-01* | Disc Harrow 8" & 11" Disc. Adj. width & disc angle |
| 5677-02* | Tiller 5 H.P. Self-Powered - 28" width |
| 5648-16 | Lawn Sweeper w/dump Release |

*Requires a sleeve hitch