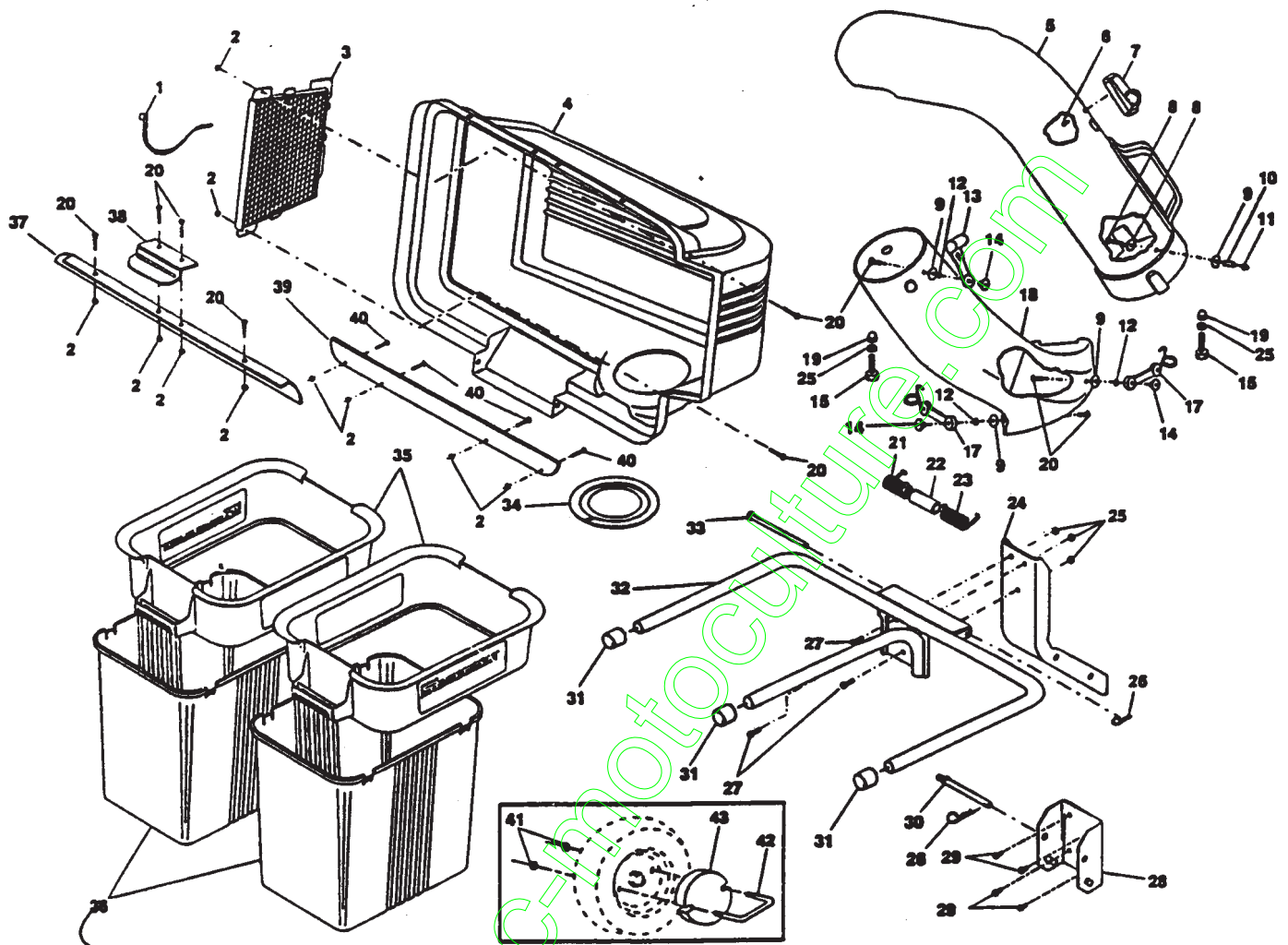


Mod.nr: 954 04 03-31

Jr model: 8/10/12-90E

SPAREPARTS

1072601-61



| Key No. | Part No. | Description |
|---------|-------------|----------------------------|
| 1 | | Tie, Cable |
| 2 | 5320691-80 | Locknut # 10-24 |
| 3 | 5321275-33 | Screen, Cover |
| 4 | 5321268-16# | Cover |
| 5 | 5321285-98# | Chute, Upper |
| 6 | 8180210-08 | Screw, Special |
| 7 | 5321309-33 | Indicator, Bagger Full |
| 8 | 5320871-75 | Screw, #10-24x1-1/8 |
| 9 | | Washer 3/16x3/4x16 Ga. |
| 10 | 5320072-06 | Spacer, Split |
| 11 | 5320608-67 | Nut, Acron #10-24 |
| 12 | | Washer, lock |
| 13 | 5321098-08 | Latch, Chute |
| 14 | 5320020-29 | Nut, Weld |
| 15 | 8749305-16 | Bolt, Hex 5/16-18x1 |
| 17 | 5321307-58 | Latch Assy., Bagger |
| 18 | 5321312-70# | Chute, Lower |
| 19 | 5321338-41 | Nut, Acorn 5/16-18 |
| 20 | 8710910-08 | Screw #10-24x1/2 |
| 21 | 5321327-96 | Spring, Cover L.H. (black) |
| 22 | 5321332-35 | Spacer, Cover |
| 23 | 5321329-83 | Spring, Cover R.H. (gray) |

| Key No. | Part No. | Description |
|---------|-------------|--|
| 24 | 5321277-20# | Post, Support |
| 25 | 8736805-00 | Locknut 5/16x18 |
| 26 | | Spring, Retainer |
| 27 | 8747605-14 | Bolt, Hex 5/16-18x7/8 |
| 28 | 5321308-89# | Bracket, Mounting |
| 29 | 8174905-08 | Screw, Thread Rolling 5/16-18x1/2 |
| 30 | 5321311-37 | Pin, Support Post |
| 31 | 5321344-96 | Cap, Tubing End |
| 32 | 5321269-19# | Bagger, Frame |
| 33 | 5321286-00 | Pin, Hinge |
| 34 | 5321275-34 | Gasket, Cover |
| 35 | 5321295-85 | Container, Top |
| 36 | 5321295-86 | Container, Bottom |
| 37 | 5321322-56 | Seal, Cover |
| 38 | 5321318-59 | Latch Handle, Cover |
| 39 | 5321354-95 | Strip, Seal |
| 40 | 8710910-08 | Screw #10-24x1/2 |
| 41 | 8736806-00 | Locknut 3/8-16 |
| 42 | 5321236-59 | U-Bolt |
| 43 | 5321236-35 | Weight, Wheel |
| - | 5321044-19# | Bag, 3.0 mil. 30 Gallon Trash (not included with bagger) |