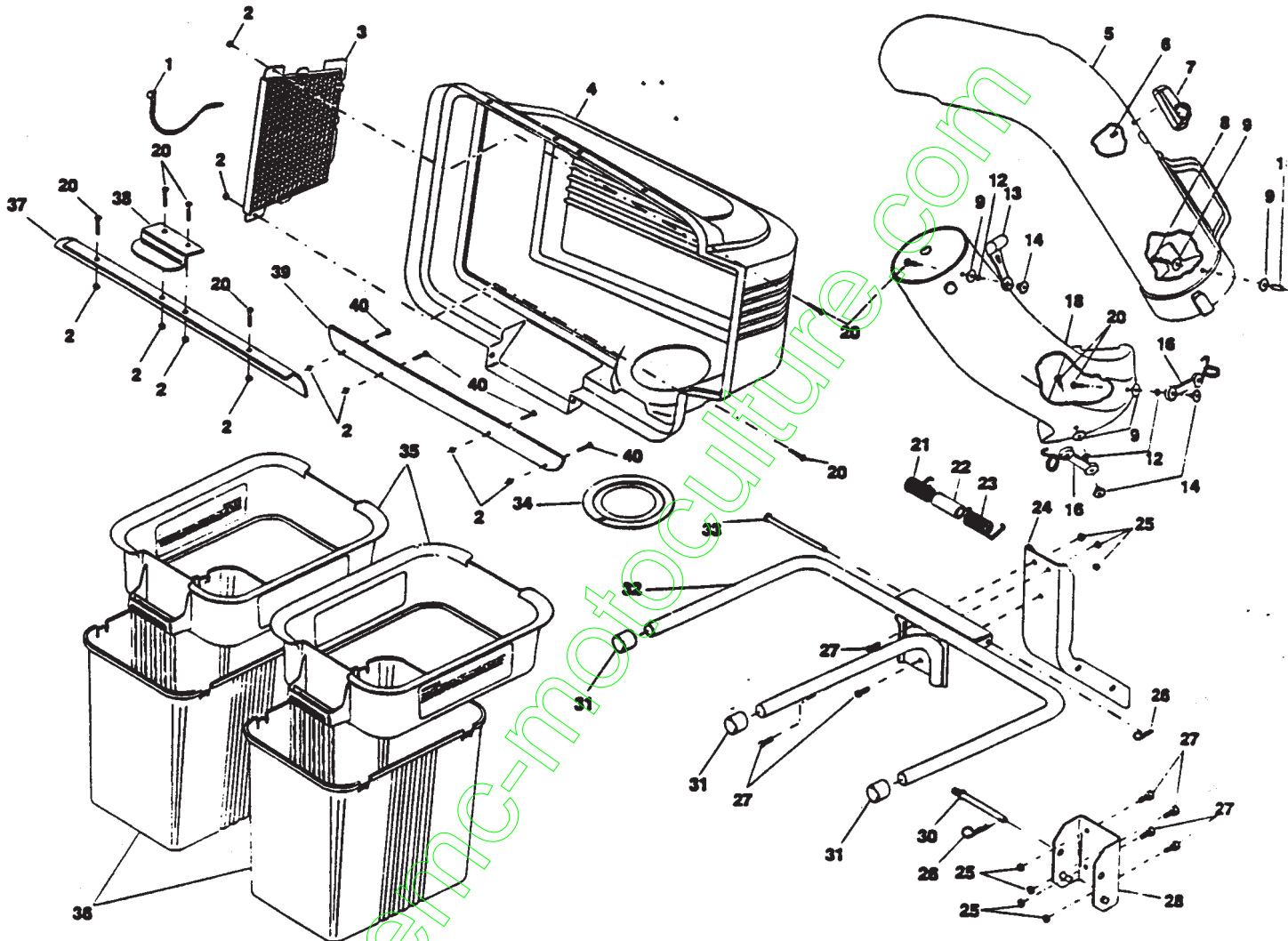




Prod.nr: 954 04 03-02  
For models: 12,5 - 105 E/EH

**SPAREPART**  
107 26 02-66



Key No.	Part No.	Description
1	5320071-92	Tie, Cable
2	5320691-80	Locknut #10-24
3	5321275-33	Screen, Cover
4	5321268-16	Cover
5	5321268-40	Chute, Upper = RD 126840
6	8180210-08	Screw, Special #10-14 x 1/2
7	5321309-33	Full Bagger Indicator
8	5320871-75	Screw, #10-24 x 1-1/8
9		Washer 3/16 x 3/4 x 16 Ga.
10	5320072-06	Spacer, Split
11	5320608-67	Nut, Acorn #10-24
12	8100710-00	Washer, lock
13	5321098-08	Latch, Chute
14	5320020-29	Nut, Weld
16	5321307-58	Rubber, Latch, ASSY.
18	5321312-71	Chute, Lower = RD 126833
20	8710910-08	Screw #10-24 x 5/8
21	5321327-96	Spring, Cover L.H. (black)

Key No.	Part No.	Description
22	5321332-35	Spacer, Cover
23	5321329-83	Spring, Cover R.H. (gray)
24	5321268-13	Post, Support
25	8736805-00	Locknut 5/16 x 18
26		Spring, Retainer
27	8747605-12	Bolt, Hex 5/16-18 x 3/4
28	5321308-89	Bracket, Mounting
30	5321311-37	Pin, Support Post
31	5321344-96	Cap, Tubing End
32	5321269-19	Bagger, Frame
33	5321286-00	Pin, Hinge
34	5321275-34	Gasket, Cover
35	5321295-85	Container, Top
36	5321295-86	Container, Bottom
37	5321322-56	Seal, Cover
38	5321318-59	Latch Handle, Cover
39	5321354-85	Strip, Seal
40	8710910-08	Screw #10-24 x 1/2
—	5321044-19	Bag, 3.0 mil. 30 Gallon Trash (not included with bagger)