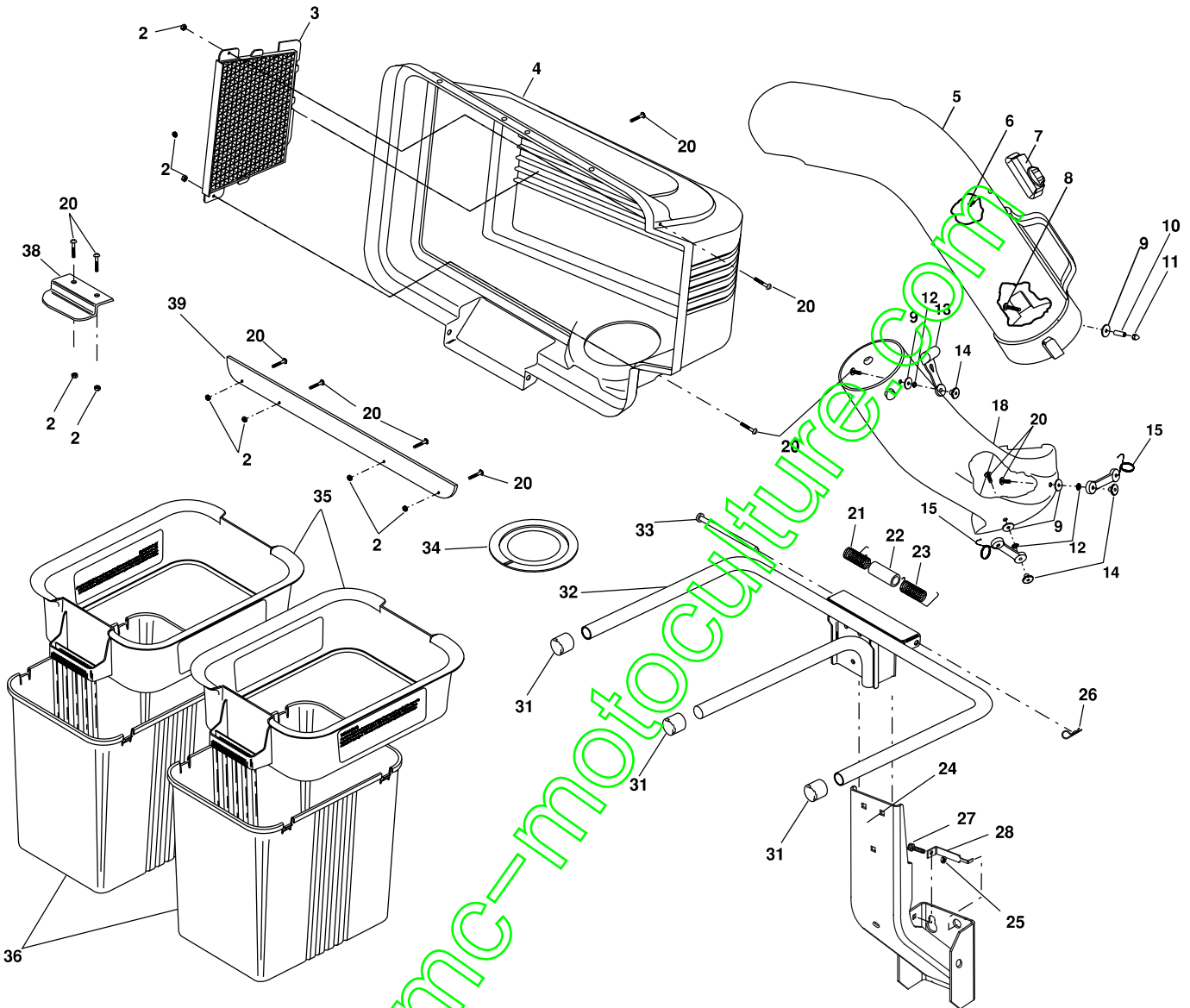


CET42 (96071001000)



KEY NO.	PART NO.	DESCRIPTION	KEY NO.	PART NO.	DESCRIPTION
2	532 06 91-80	Nut, Crownlock #10-24	21	532 13 27-96	Spring, Cover L.H. (black)
3	532 12 75-33	Screen, Cover	22	532 13 32-35	Spacer, Cover
4	532 17 10-61	Cover Asm.(Incl. 3,38,39)	23	532 13 29-83	Spring, Cover R.H. (gray)
5	532 12 68-40	Chute, Upper	24	532 18 09-23	Support Assembly
6	818 02 10-08	Screw, Special	25	873 80 04-00	Locknut 1/4-20
7	532 13 09-33	Full Bag Indicator	26	532 12 46-70	Spring, Retainer
8	532 08 71-75	Screw, #10-24 x 1-1/8	27	872 14 04-05	Bolt
9	819 06 12-16	Washer 3/16x3/4x16 Ga.	28	532 17 97-45	Bracket, Stop
10	532 00 72-06	Spacer, Split	31	532 17 40-83	Plug, Tubing End
11	532 06 08-67	Nut, Acorn #10-24	32	532 17 97-46	Bagger, Frame
12	810 07 10-00	Washer, lock	33	532 19 27-86	Pin, Hinge
13	532 10 98-08	Latch, Chute	34	532 12 75-34	Gasket, Cover
14	532 12 50-04	Nut, Weld	35	532 18 32-86	Container, Top
15	532 16 07-93	Latch Assembly, Hook	36	532 12 95-86	Container, Bottom
18	532 16 28-03	Chute, Lower	38	532 13 08-95	Latch Handle, Cover
20	871 08 10-10	Screw #10-24 x 5/8	39	532 15 50-42	Strip, Reinforcement
			--	532 41 12-65	Owner's Manual