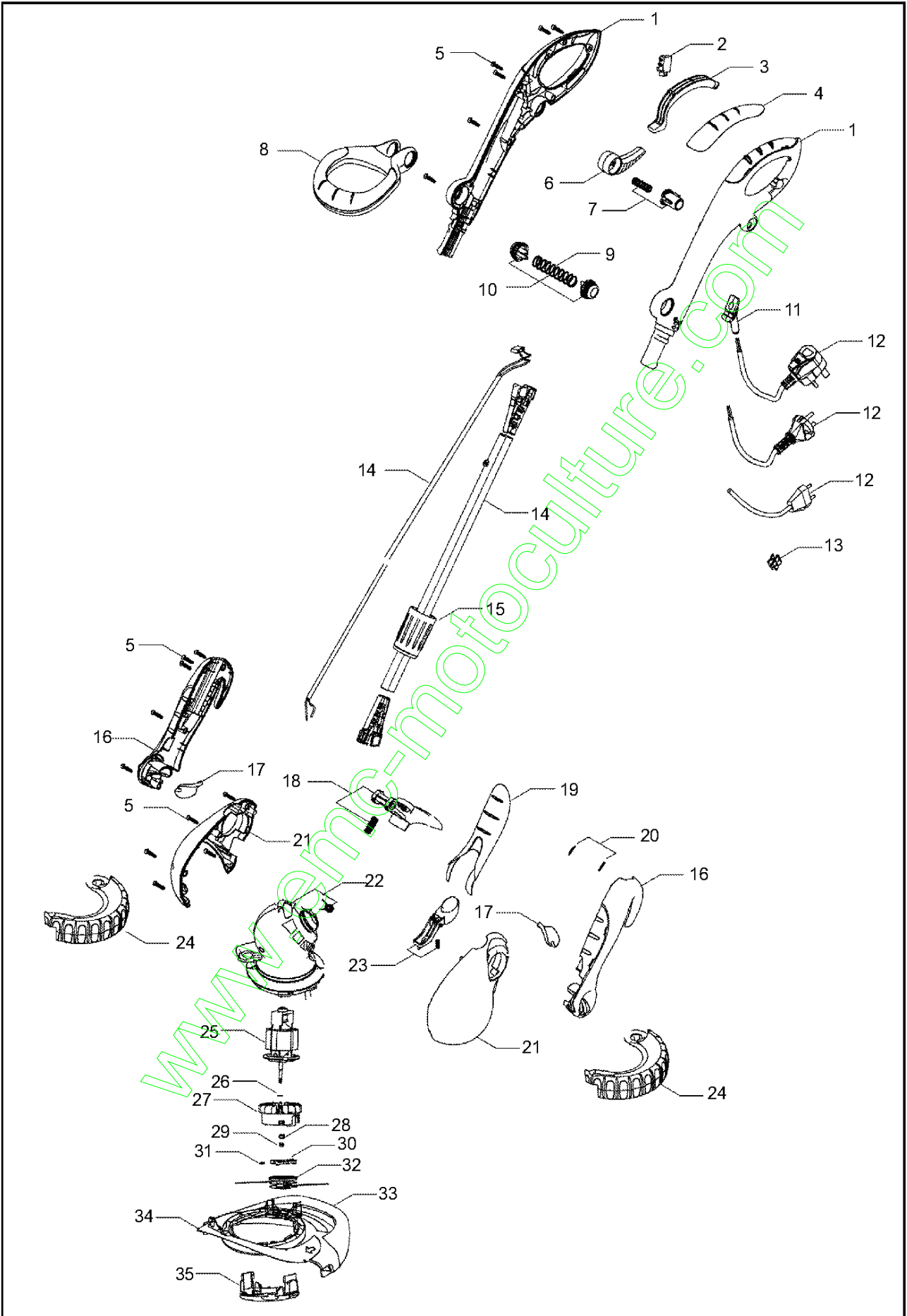


IPL Flymo Contour 500 XT 9669524-01, 9669524-22, 9669524-62 2009-06



IPL Flymo Contour 500 XT 9669524-01, 9669524-22, 9669524-62 2009-06

Item	PNC	Description	Qty	Notes
1	5224914-01	UPPER HANDLES	1	INC ITEM 4
2	5219512-01	SWITCH	1	
3	5224916-01	SWITCH LEVER	1	
4	5224913-01	HANDLE COVER PLATE	1	
5	5224908-01	SCREWS PACK (Qty 10)	1	
6	5224912-01	CABLE HOOK	1	
7	5219513-01	CABLE HOOK RELEASE MECHANISM	1	
8	5224929-01	STEADY HANDLE	1	
9	5224919-01	STEADY HANDLE SPRING	1	
10	5224918-01	STEADY HANDLE BUTTONS	1	INC ITEM 9
11	5227299-01	GROMMET	1	
12	5127251-20	MAINS LEAD UK	1	
12	5119711-00	MAINS LEAD EU	1	
12	5107968-00	MAINS LEAD CH	1	
13	5224917-01	CABLE CLEAT	1	
14	5224915-01	SHAFT ASSY	1	
15	5224920-01	LOCKING RING	1	
16	5224922-01	LOWER HANDLE PAIR	1	
17	5224921-01	FILTERS PACK (Qty 2)	1	
18	5224925-01	FOOT PEDAL INC SPRING	1	
19	5224923-01	COVER PLATE	1	
20	5046317-01	FIXINGS	1	
21	5224926-01	LOWER CLAMSHELLS PAIR	1	
22	5224927-01	MOTOR HOUSING INC SPRING	1	
23	5224924-01	RELEASE LEVER ASSY	1	
24	5224933-01	WHEEL	1	
25	5224928-01	MOTOR	1	
26	5140266-00	WASHER FOR MOTOR SHAFT	1	
27	5107367-87	SPOOL HOLDER	1	
28	5148683-00	NUT	1	
29	5148631-00	INSULATOR CAP	1	
30	5100859-01	LINE FEEDER	1	
31	5148940-00	SPRING FOR LINE FEEDER	1	
32	5139371-90	SPOOL & LINE	1	
33	5224930-01	GUARD	1	
34	5224932-01	CUTTING LINE GUIDE	1	
35	5224909-01	CUTTING HEAD CAP	1	