

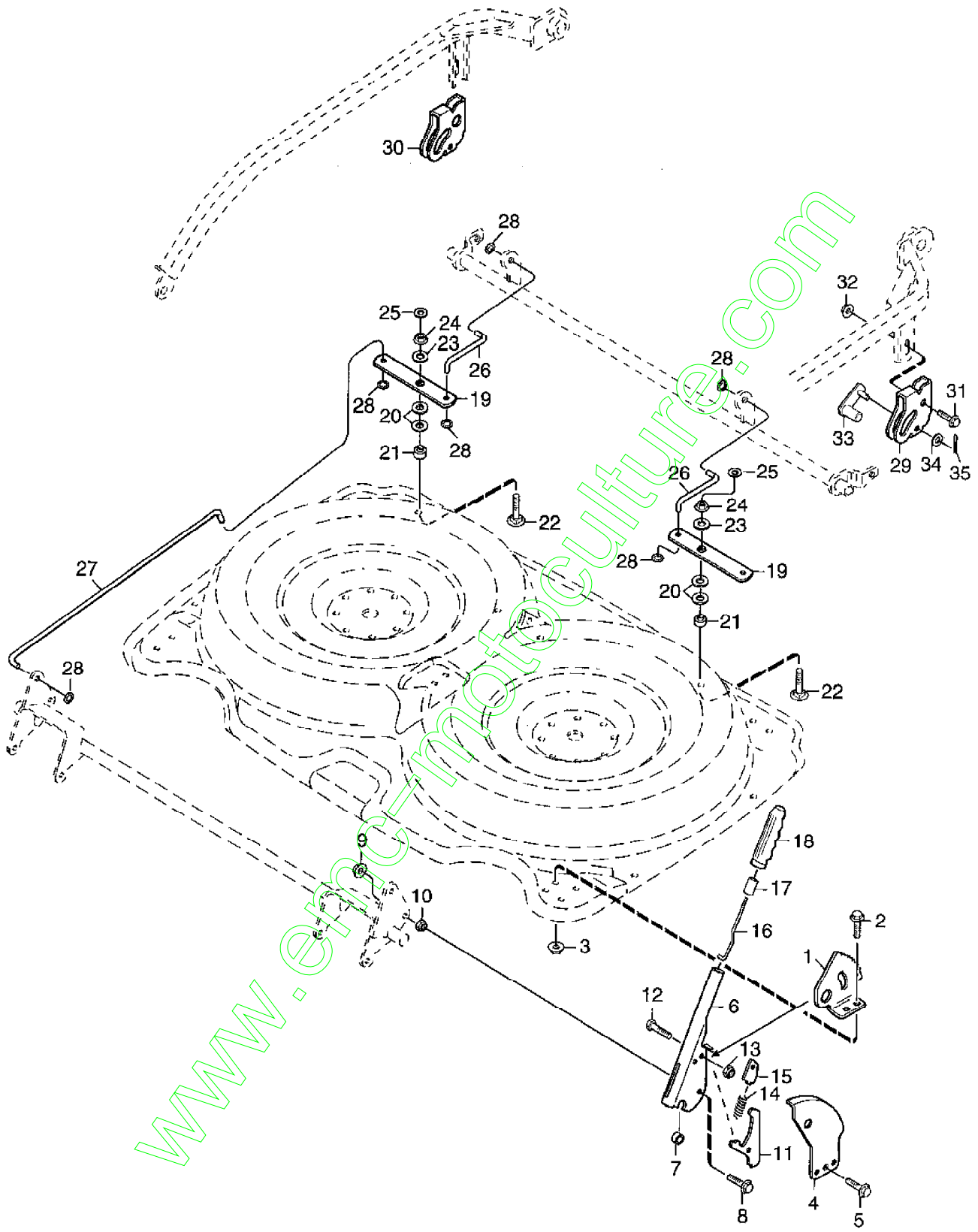
Section: PARK MOWER DECK 107M BLADE SYSTEM

Pos.	Quantity	Spare part No	Description	Kit	Notes	New
------	----------	---------------	-------------	-----	-------	-----

2927

1	2	1134-4311-01	Bearing box			
2	2	1134-3725-04	Spacer			
3	4	9549-0020-00	Ball bearing			
4	8	9997-0865-12	Screw			
5	8	9739-0831-22	Nut			
6	2	1134-3767-04	Blade shaft			
7	2	1134-3725-04	Spacer			
8	2	1134-3768-01	Bearing cover			
9	1	1134-9059-01	Blade kit		Sats hö+vå/Kit L+R	
11	4	9997-0820-16	Screw			
12	4	9747-0831-02	Lock nut			

www.emc-motoculture.com



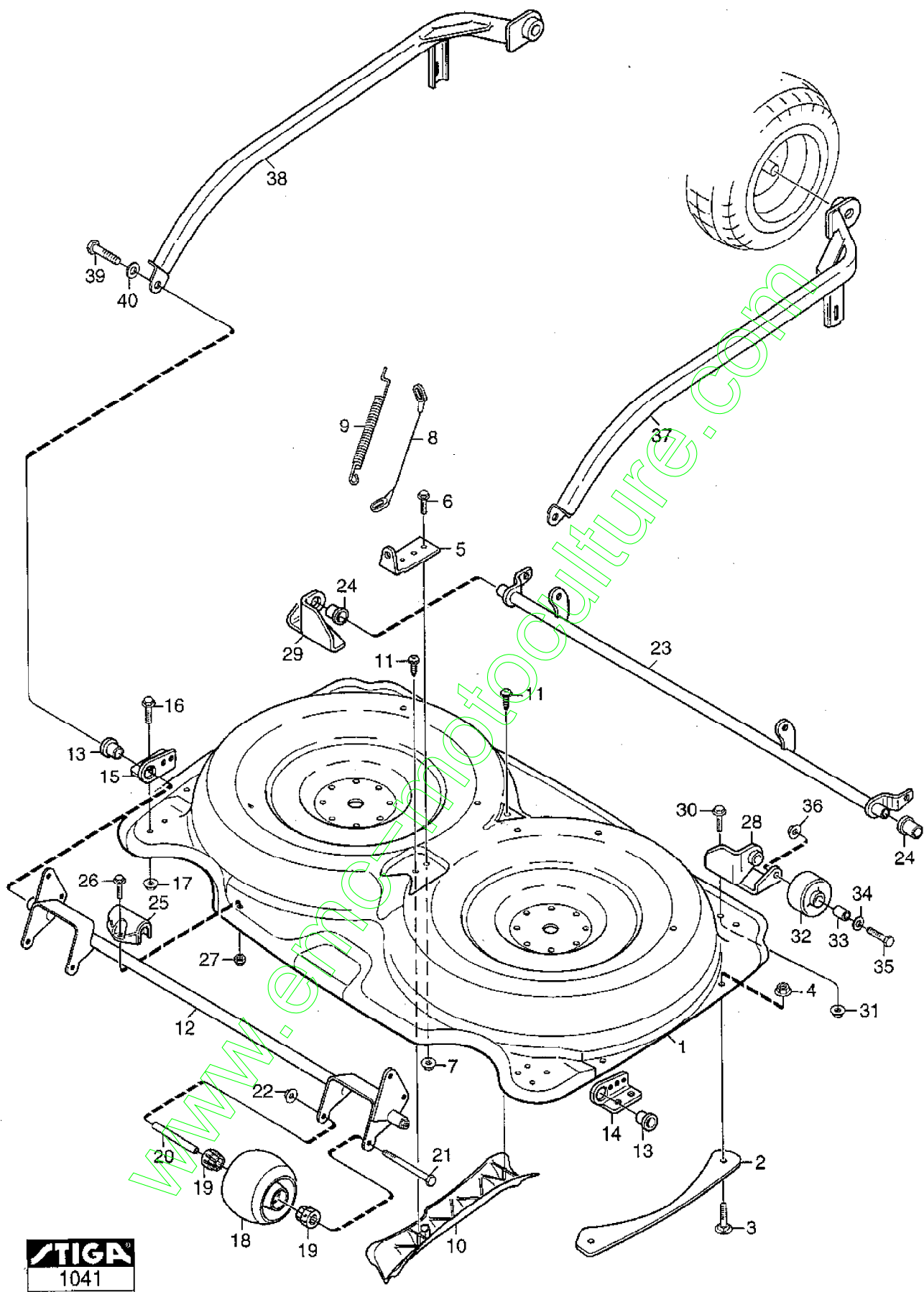
Section: PARK MOWER DECK 107M CONTROLS

Pos.	Quantity	Spare part No	Description	Kit	Notes	New
------	----------	---------------	-------------	-----	-------	-----

2927

1	1	1134-4290-01	Height adj. quadran			
2	2	9959-0816-16	Screw			
3	2	9739-0831-22	Nut			
4	1	1134-4291-02	Height adj. plate			
5	1	9945-0816-16	Screw			
6	1	1134-3039-01	Height adjust lever			
7	1	1134-2427-01	Spacer			
8	1	9959-0830-16	Screw			
9	1	9739-0831-22	Nut			
10	1	9747-0831-02	Lock nut			
11	1	1134-3010-01	Locking quadrant			
12	1	9997-0620-16	Screw			
13	1	9747-0631-02	Lock nut			
14	1	1134-3262-01	Compression spring			
15	1	1134-3009-01	Locking key			
16	1	1134-3041-01	Control rod			
17	1	1134-3051-01	Locking knob			
18	1	9406-0006-00	Handle			
19	2	1134-4296-02	Pivot arm			
20	4	9689-0021-02	Washer			
21	2	1134-4298-01	Spacer			
22	2	9897-0850-12	Screw			
23	2	9699-0028-02	Flat washer			
24	2	9739-0831-22	Nut			
25	2	9699-0056-02	Flat washer			
26	2	1134-4294-01	Push rod			
27	2	1134-4294-02	Push rod			
28	8	9675-0012-02	Locking washer			
29	1	1134-4304-01	Adjusting plate-L.H			
30	1	1134-4304-02	Adjusting plate-R.H			
31	2	9959-0816-16	Screw			
32	2	9739-0831-22	Nut			
33	2	1134-4307-01	Catch			
34	2	9699-0025-02	Washer			
35	2	9599-0054-02	Cotter pin			

www.emc-motoculture.com



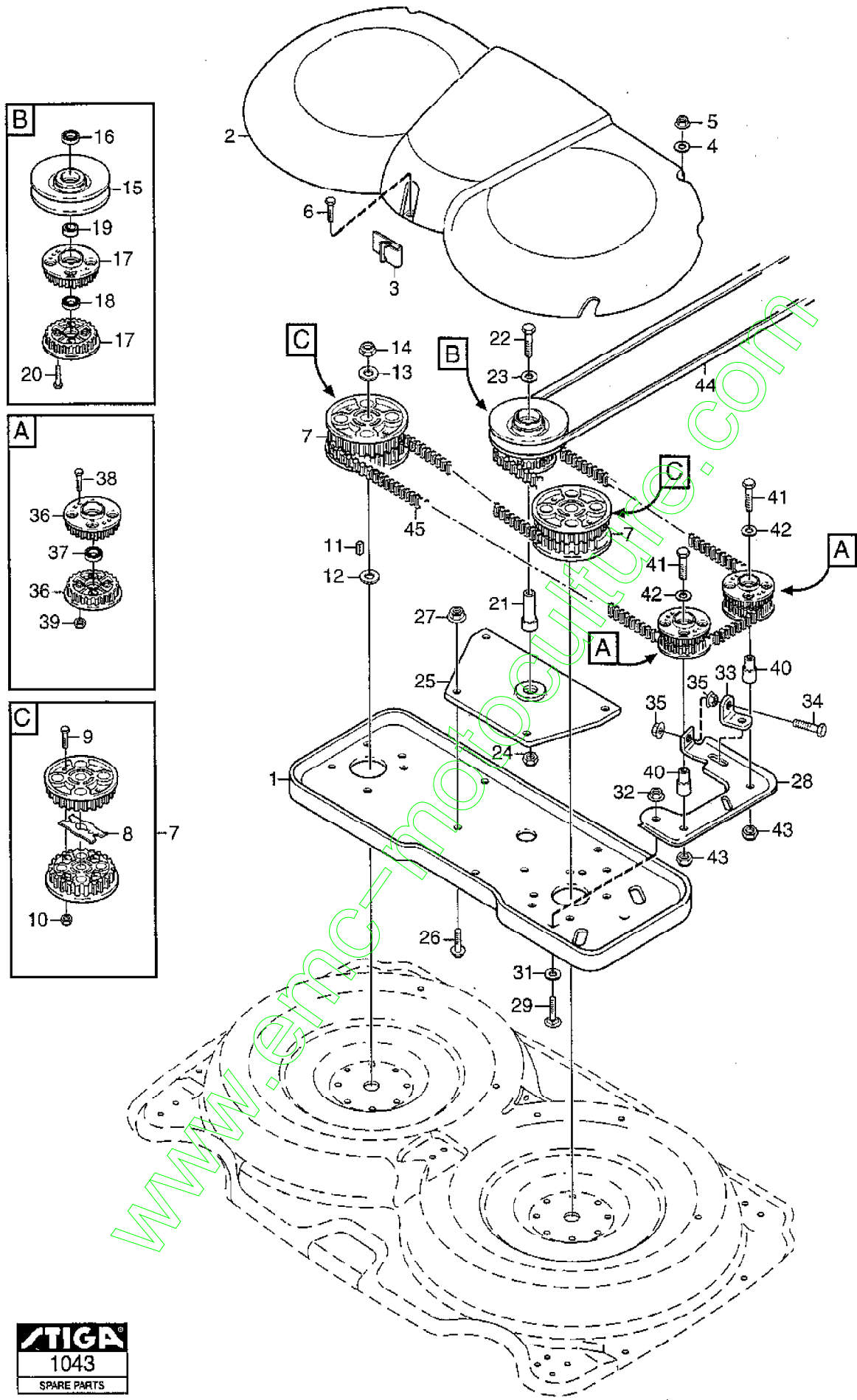
STIGA
1041
SPARE PARTS

Section: PARK MOWER DECK 107M FRAME

Pos.	Quantity	Spare part No	Description	Kit	Notes	New
------	----------	---------------	-------------	-----	-------	-----

2927

1	1	1134-4234-01	Casing			
2	2	1134-4323-01	Guide plate			
3	4	9897-0616-16	Carriage bolt			
4	4	9739-0631-22	Nut			
5	1	1134-4320-01	Lift bracket			
6	1	9959-0820-16	Screw			
7	1	9739-0831-22	Nut			
8	1	1134-2314-02	Lift cable			
9	1	1134-2535-01	Spring			
10	1	1134-4331-01	Guide bar			
11	2	9836-9530-12	Screw			
12	1	1134-4285-01	Front axle			
13	1	1134-9024-01	Bearing		Sats 4 st/kit of 4	
14	1	1134-4292-01	Bearing holder			
15	1	1134-4292-02	Bearing holder			
16	4	9959-0816-16	Screw			
17	4	9739-0831-22	Nut			
18	2	1134-4284-01	Wheel			
19	4	1134-4319-01	Bearing			
20	2	1134-4318-01	Wheel axle			
21	2	9997-0812-02	Screw			
22	2	9739-0831-22	Nut			
23	1	1134-4300-01	Rear axle			
24	1	1134-9024-01	Bearing		Sats 4 st/kit of 4	
25	2	1134-4341-01	Support			
26	2	9959-0616-16	Screw			
27	2	9747-0631-02	Lock nut			
28	1	1134-4299-01	Wheel attachment-L.			
29	1	1134-4299-02	Wheel attachment-R.			
30	4	9959-0816-16	Screw			
31	4	9739-0831-22	Nut			
32	2	1134-3434-01	Roller			
33	2	1134-0041-04	Bushing			
34	2	9699-0030-02	Flat washer			
35	2	9997-1065-12	Screw			
36	2	9739-1031-22	Nut			
37	1	1134-4324-01	Mower deck arm-L.H.			
38	1	1134-4324-02	Mower deck arm-R.H.			
39	2	9997-1016-16	Screw			
40	2	9699-0030-02	Flat washer			
98	1	9402-3124-00	Warn. label "Danger		Ej ill/not ill.	



Section: PARK MOWER DECK 107M TRANSMISSION

Pos.	Quantity	Spare part No	Description	Kit	Notes	New
------	----------	---------------	-------------	-----	-------	-----

2927

1	1	1134-4449-01	Transmission plate			
2	1	1134-4235-01	Cover			
3	3	1134-3632-01	Clips-belt guide			
4	2	9699-0028-02	Flat washer			
5	2	9747-0831-02	Lock nut			
6	1	9942-0612-16	Screw			
7	2	1134-3679-01	Toothed belt pulley			
8	1	1134-3597-01	.Reinforcement			
9	2	9997-0625-16	.Screw			
10	2	9747-0631-02	.Lock nut			
11	2	9600-0150-04	Key			
12	2	9699-0104-02	Washer			
13	2	9699-0030-02	Flat washer			
14	2	9712-1031-02	Nut			
15	1	1134-4315-01	Belt pulley			
16	1	9549-0019-00	Ball bearing			
17	2	1134-4321-01	Toothed pulley			
18	1	9549-0019-00	Ball bearing			
19	1	1134-3725-01	Spacer			
20	4	9997-0630-12	Screw			
21	1	1134-4314-01	Shaft			
22	1	9997-1065-12	Screw			
23	2	9699-0030-02	Flat washer			
24	1	9712-1031-02	Nut			
25	1	1134-4450-01	Plate			
26	4	9959-0816-16	Screw			
27	4	9739-0831-22	Nut			
28	1	1134-4322-01	Tension arm			
29	3	9897-0825-16	Screw			
31	3	9699-0036-02	Flat washer			
32	3	9739-0831-22	Nut			
33	1	1134-4317-01	Angle bracket			
34	1	9997-0870-16	Screw			
35	2	9739-0831-22	Nut			
36	4	1134-4321-01	Toothed pulley			
37	2	9549-0019-00	Ball bearing			
38	8	9997-0625-16	Screw			
39	8	9747-0631-02	Lock nut			
40	2	1134-4316-01	Shaft			
41	2	9997-1050-16	Screw			
42	2	9699-0030-02	Flat washer			
43	2	9712-1031-02	Nut			
44	1	1134-9045-01	V-belt		= 9585-0081-00	
45	1	9585-0092-01	Toothed belt			