

CS 2141

CS 2141 S

CS 2145 S

CS 2150

Spare parts

Ersatzteile

Pièces détachées

Reserve onderdelen

Repuestos

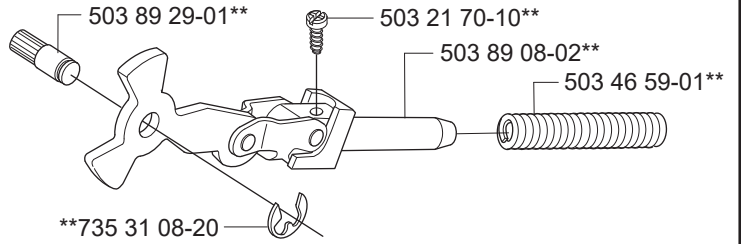
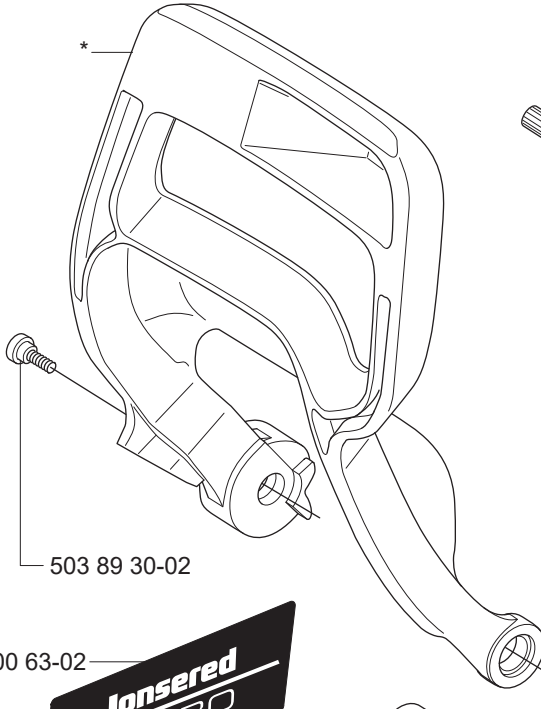
Reservdelar

www.emc-motoculture.com

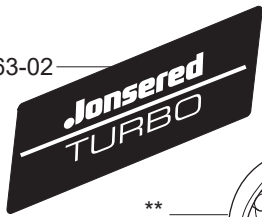
A

*compl 537 01 21-02

**compl 537 10 79-01

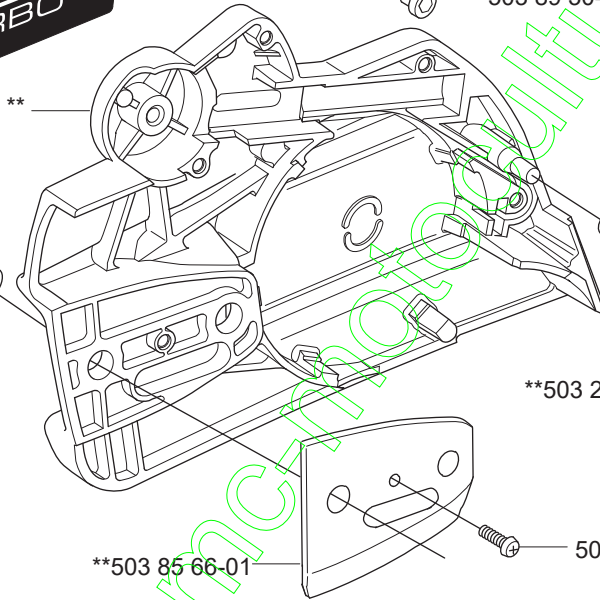


**537 00 63-02



**537 04 30-01

503 22 00-01 (x2)



503 85 52-01**

537 10 80-01**

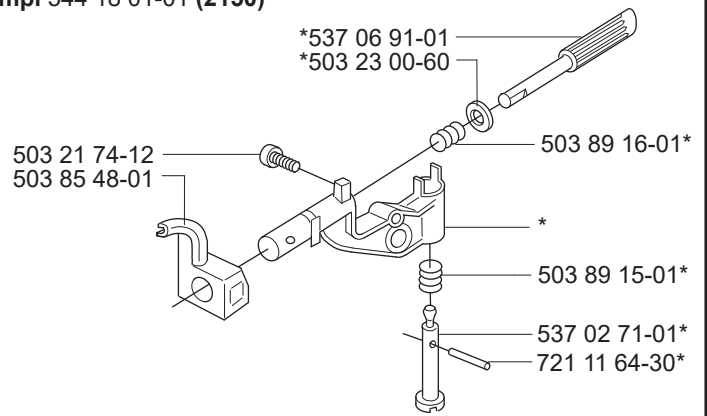
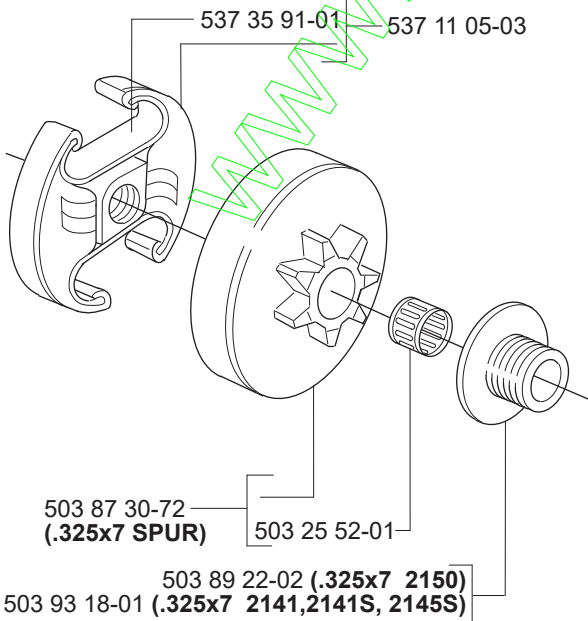


**503 21 70-10 (x4)

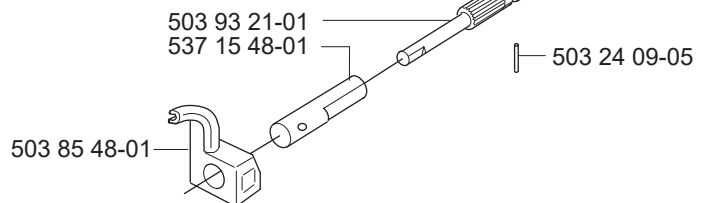
**537 08 90-01

B

*compl 544 18 01-01 (2150)



2141, 2145S, 2141S



D *compl 537 01 14-03 (CS 2141)

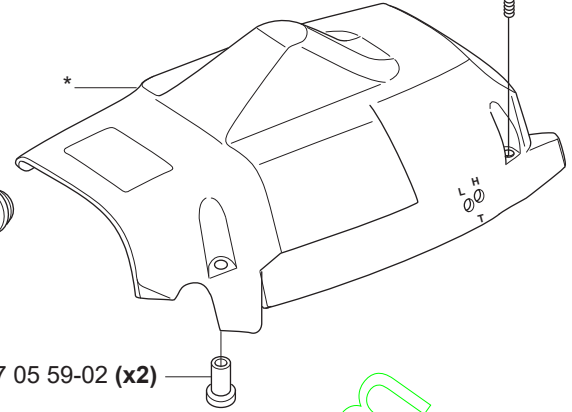
*503 98 74-01



*503 40 59-01

*537 05 59-02 (x2)

*503 20 34-25 (x3)



D *compl 544 34 33-01 (CS 2141S, CS 2145S)

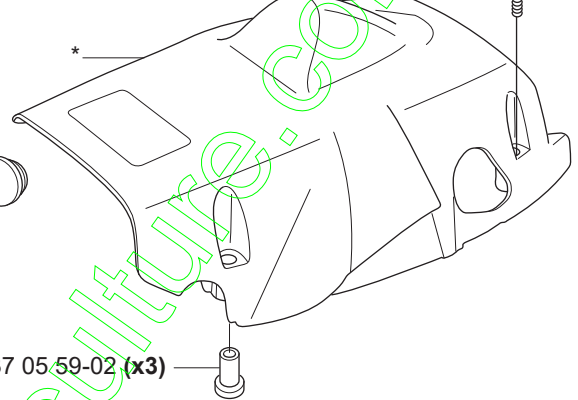
*503 98 74-01



*503 40 59-01

*537 05 59-02 (x3)

*503 20 34-25 (x3)



D *compl 544 34 34-01 (CS 2150)

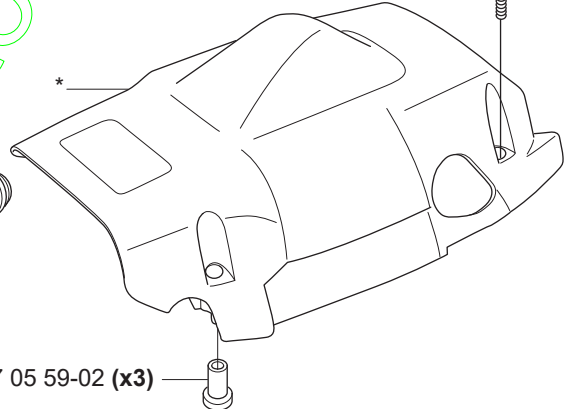
*503 98 74-01



*503 40 59-01

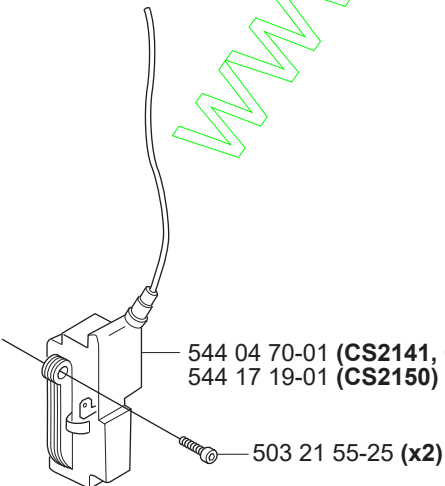
*537 05 59-02 (x3)

*503 20 34-25 (x3)



E

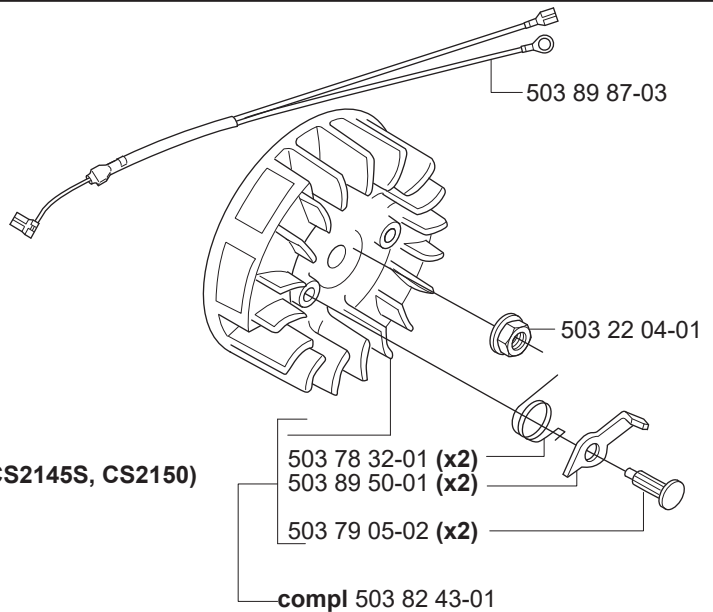
compl 501 48 54-02



www.emc-motoculture.com

544 04 70-01 (CS2141, CS2141S, CS2145S, CS2150)
544 17 19-01 (CS2150) EPA

503 21 55-25 (x2)



503 89 87-03

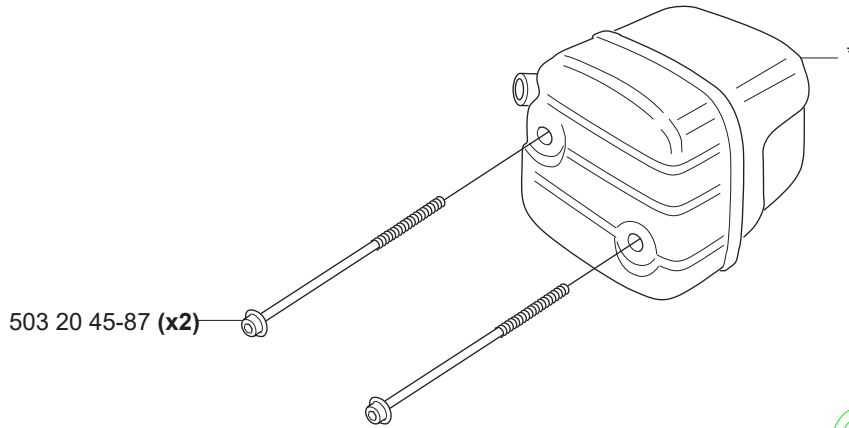
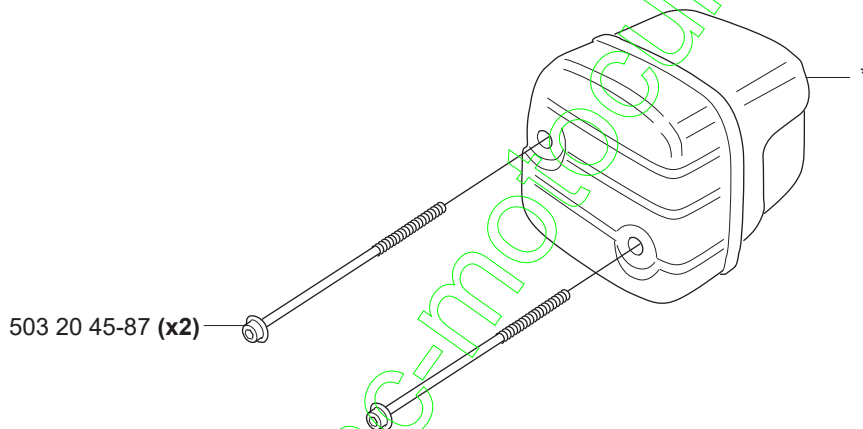
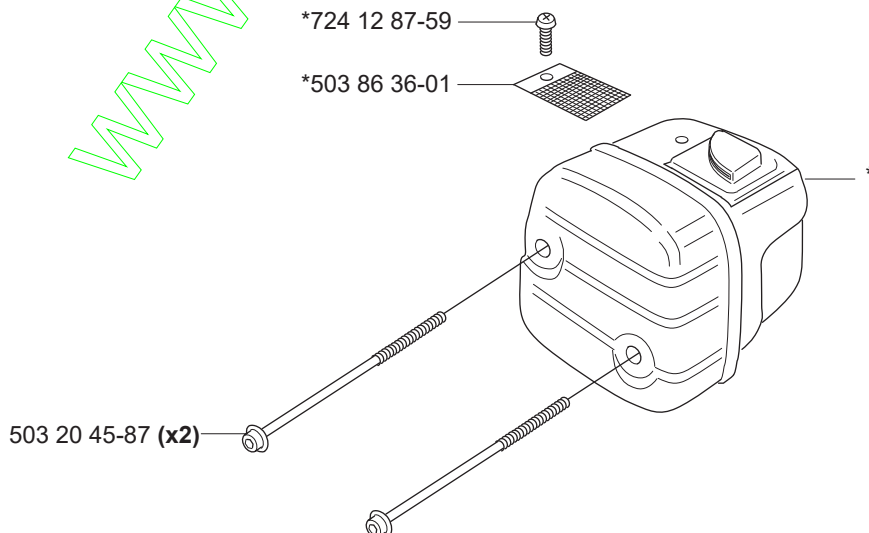
503 22 04-01

503 78 32-01 (x2)

503 89 50-01 (x2)

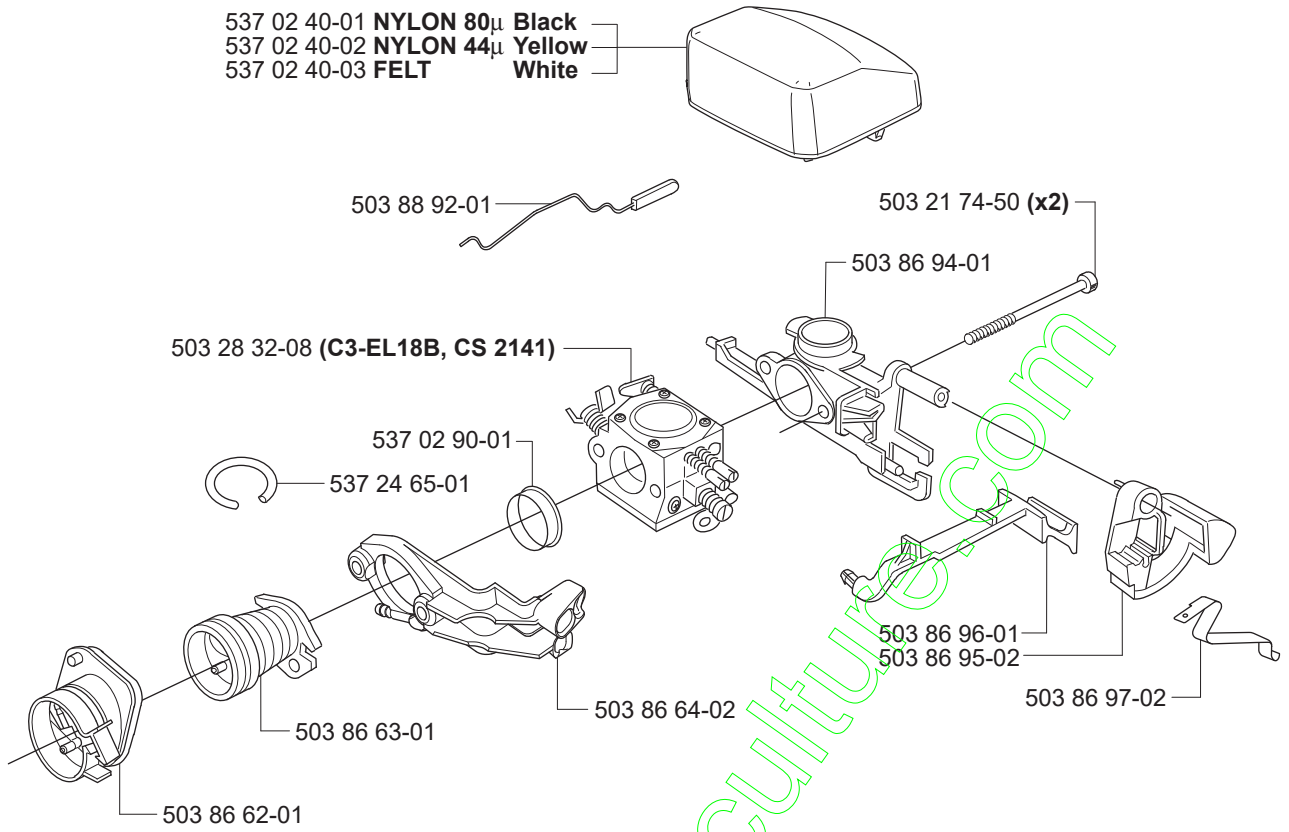
503 79 05-02 (x2)

compl 503 82 43-01

F***compl 503 86 27-03 (EU) CS 2150****F*****compl 503 87 96-02 (FG) CS 2141, 2141S, 2145S****F*****compl 503 86 28-03 (DF) CS 2141, 2141S, 2145S, 2150**

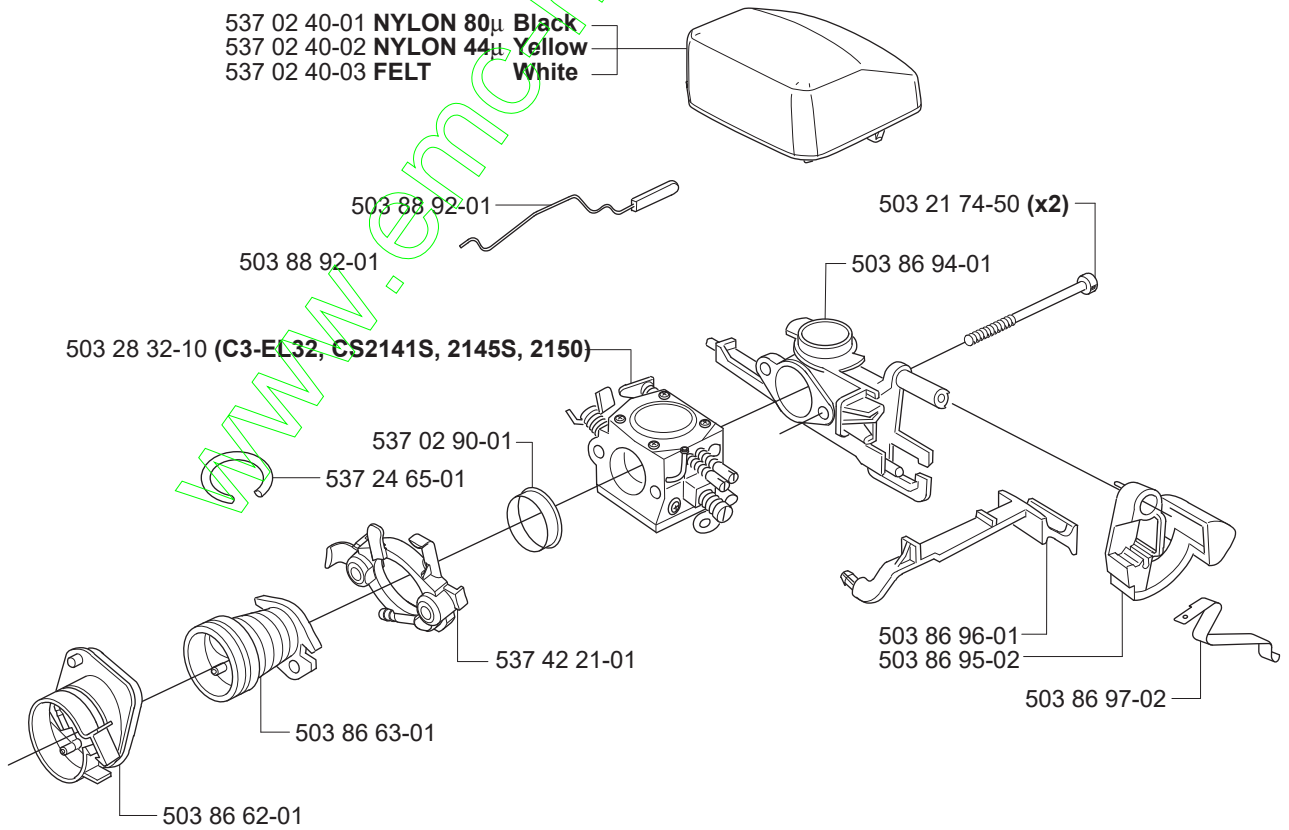
G CS 2141

537 02 40-01 **NYLON 80 μ Black**
537 02 40-02 **NYLON 44 μ Yellow**
537 02 40-03 **FELT White**



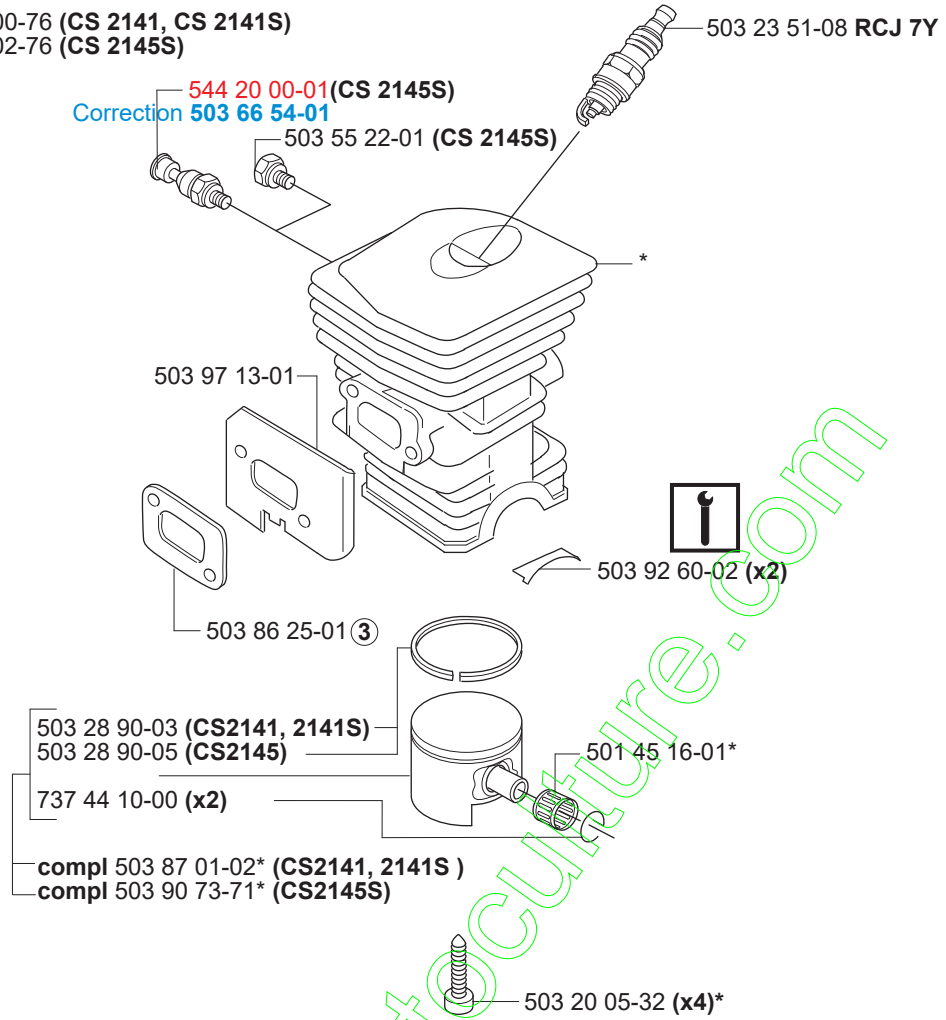
G CS 2141S, CS 2145S, CS 2150

537 02 40-01 **NYLON 80 μ Black**
537 02 40-02 **NYLON 44 μ Yellow**
537 02 40-03 **FELT White**



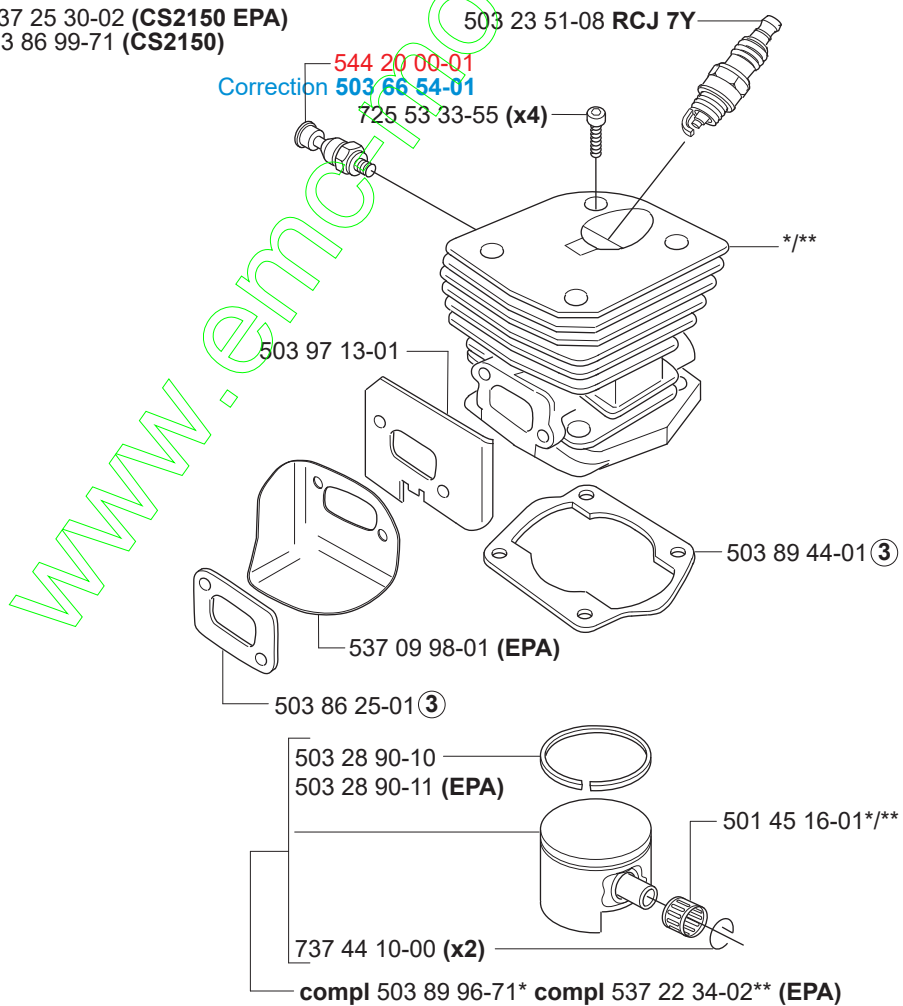
H

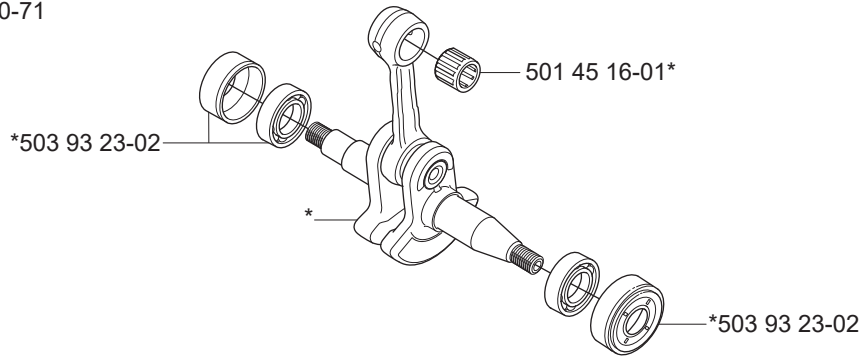
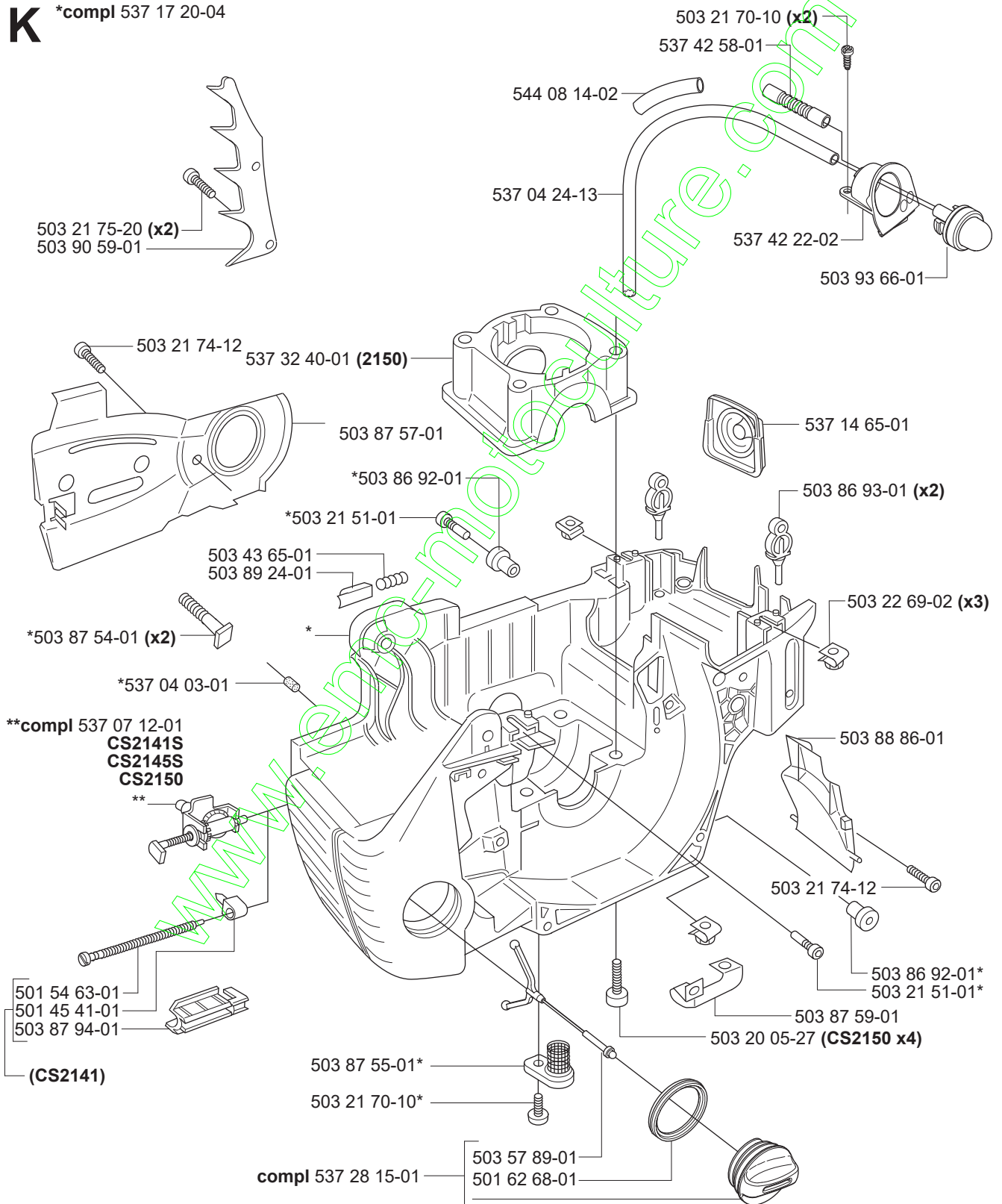
*compl 503 87 00-76 (CS 2141, CS 2141S)
*compl 503 87 02-76 (CS 2145S)



H

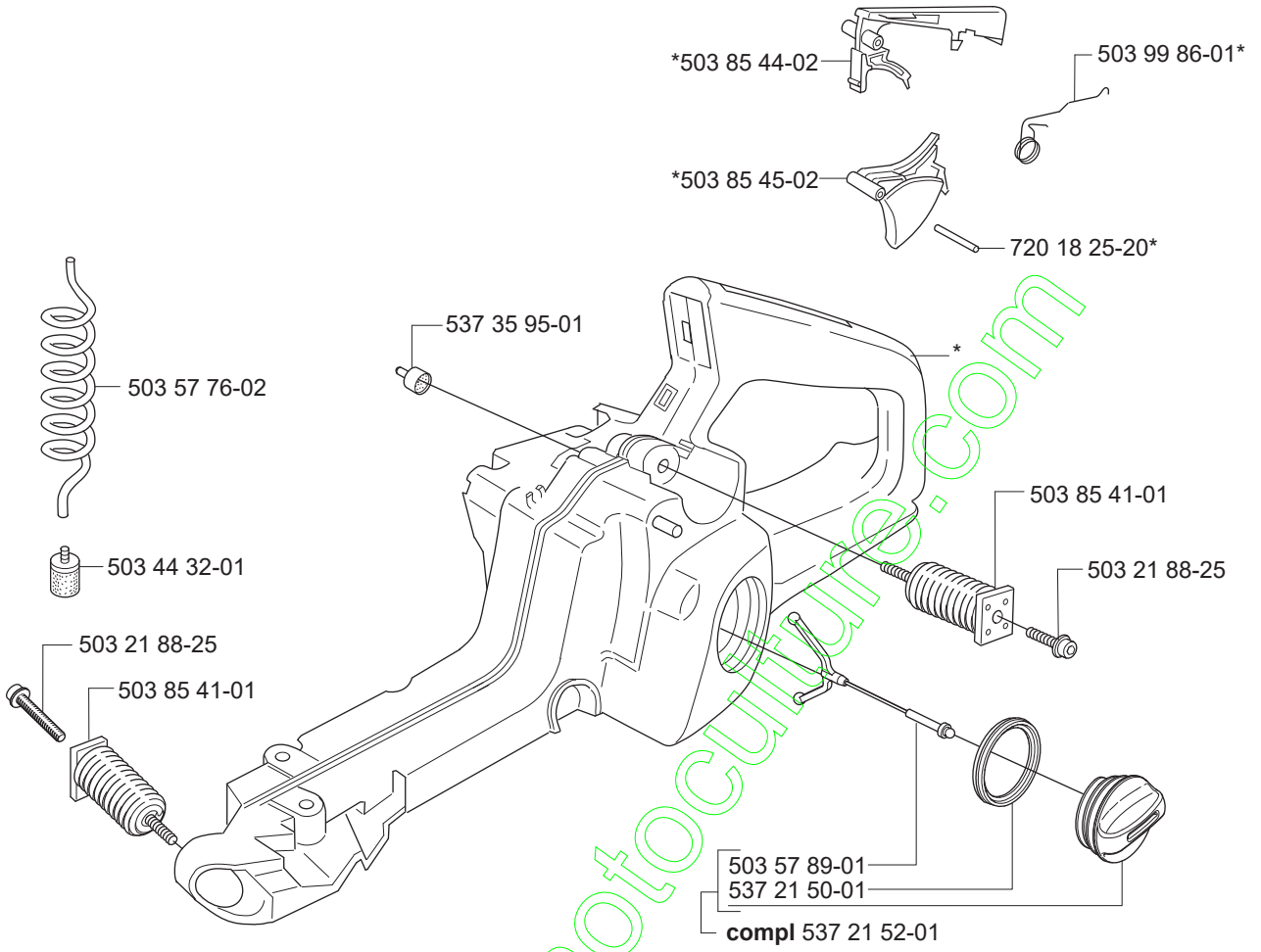
**compl 537 25 30-02 (CS2150 EPA)
*compl 503 86 99-71 (CS2150)



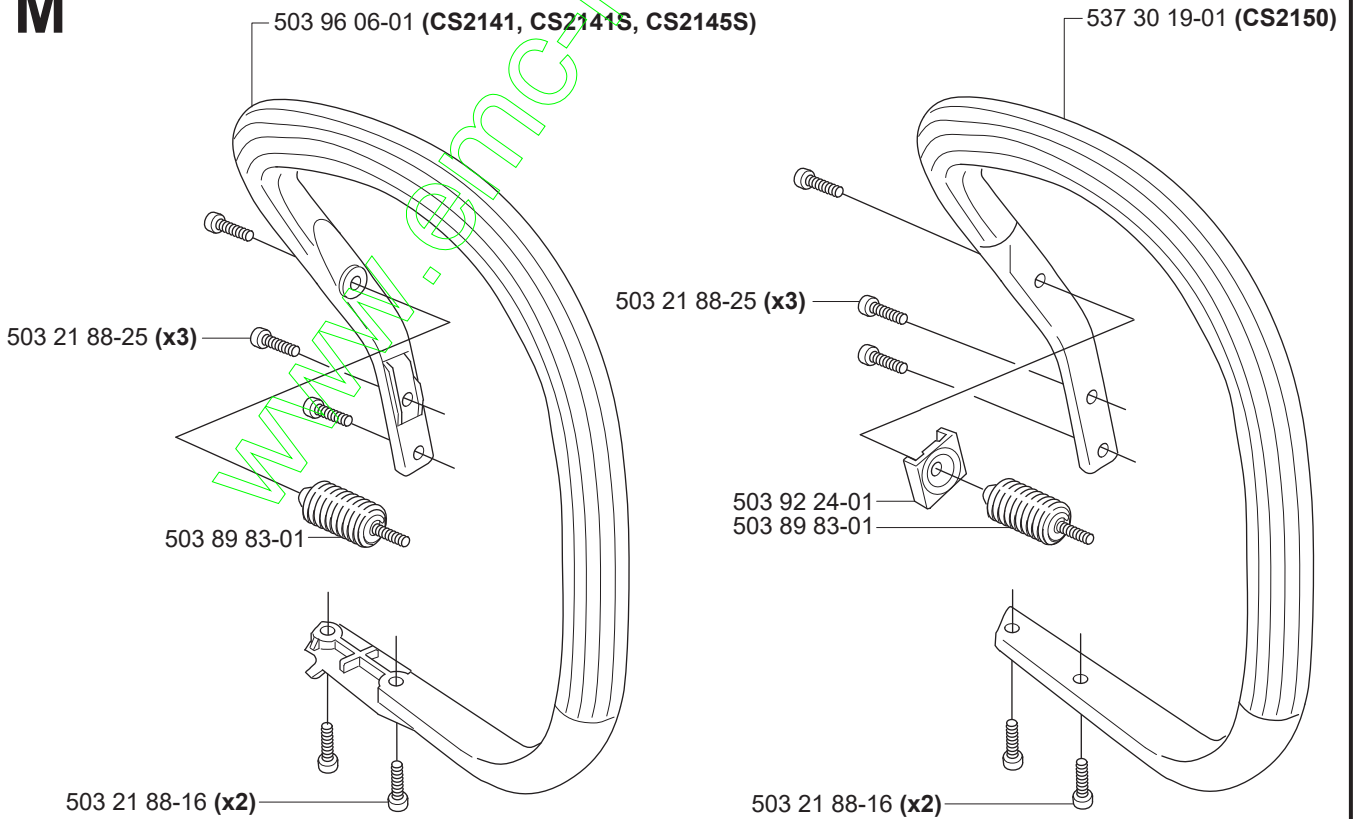
J***compl 503 85 80-71****K*****compl 537 17 20-04**

L

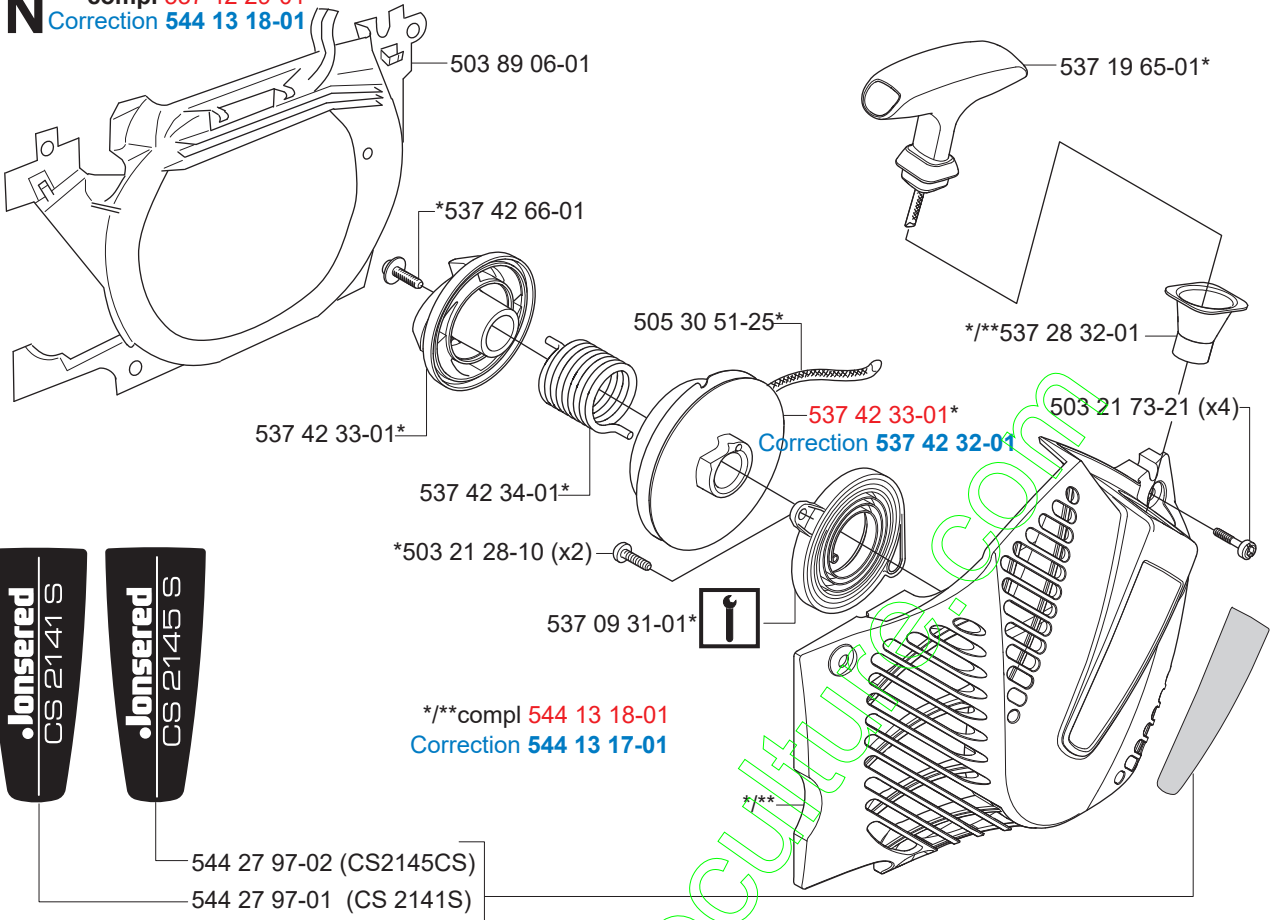
*compl 503 86 37-04



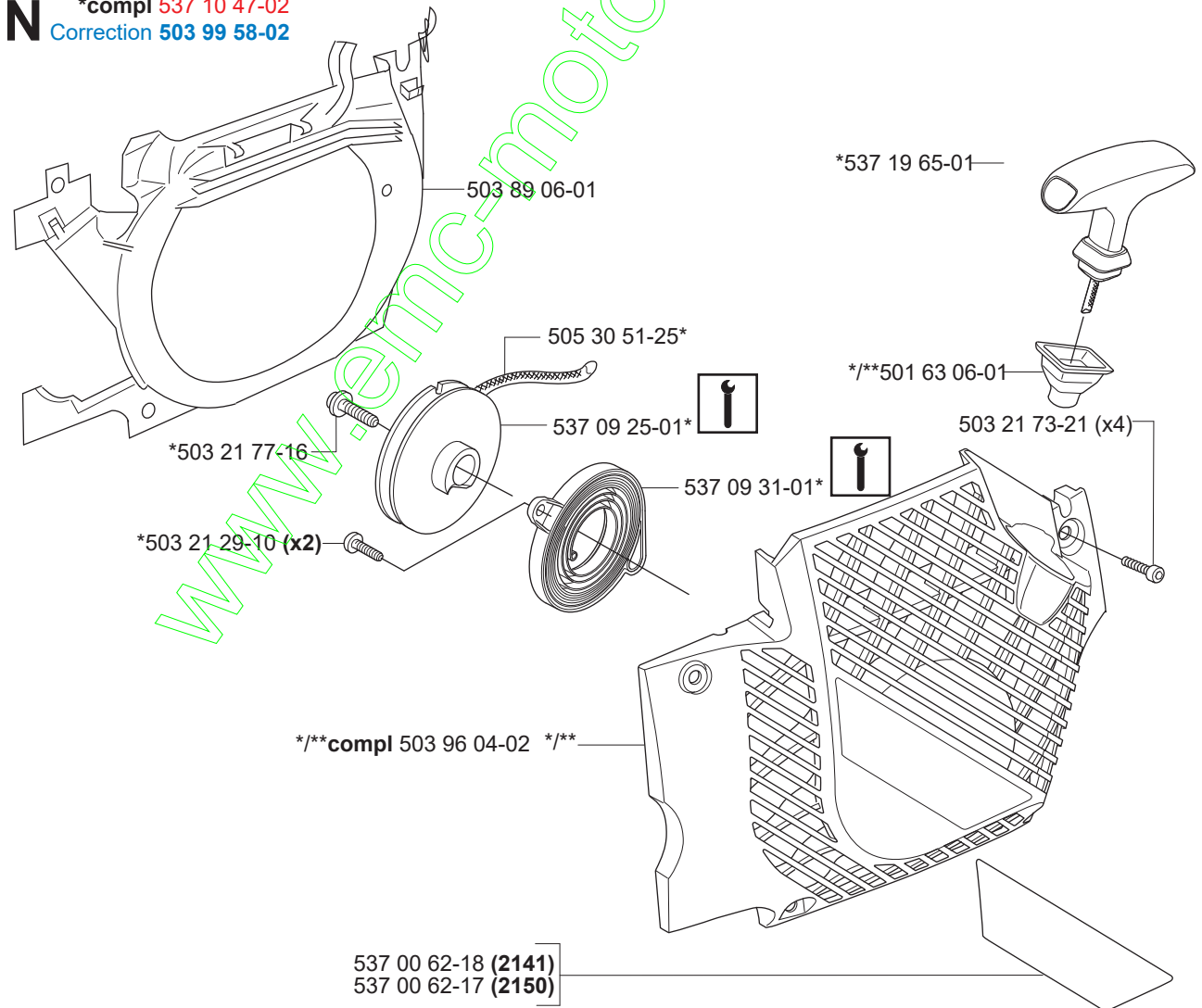
M



N *compl 537 42 29-01
Correction 544 13 18-01



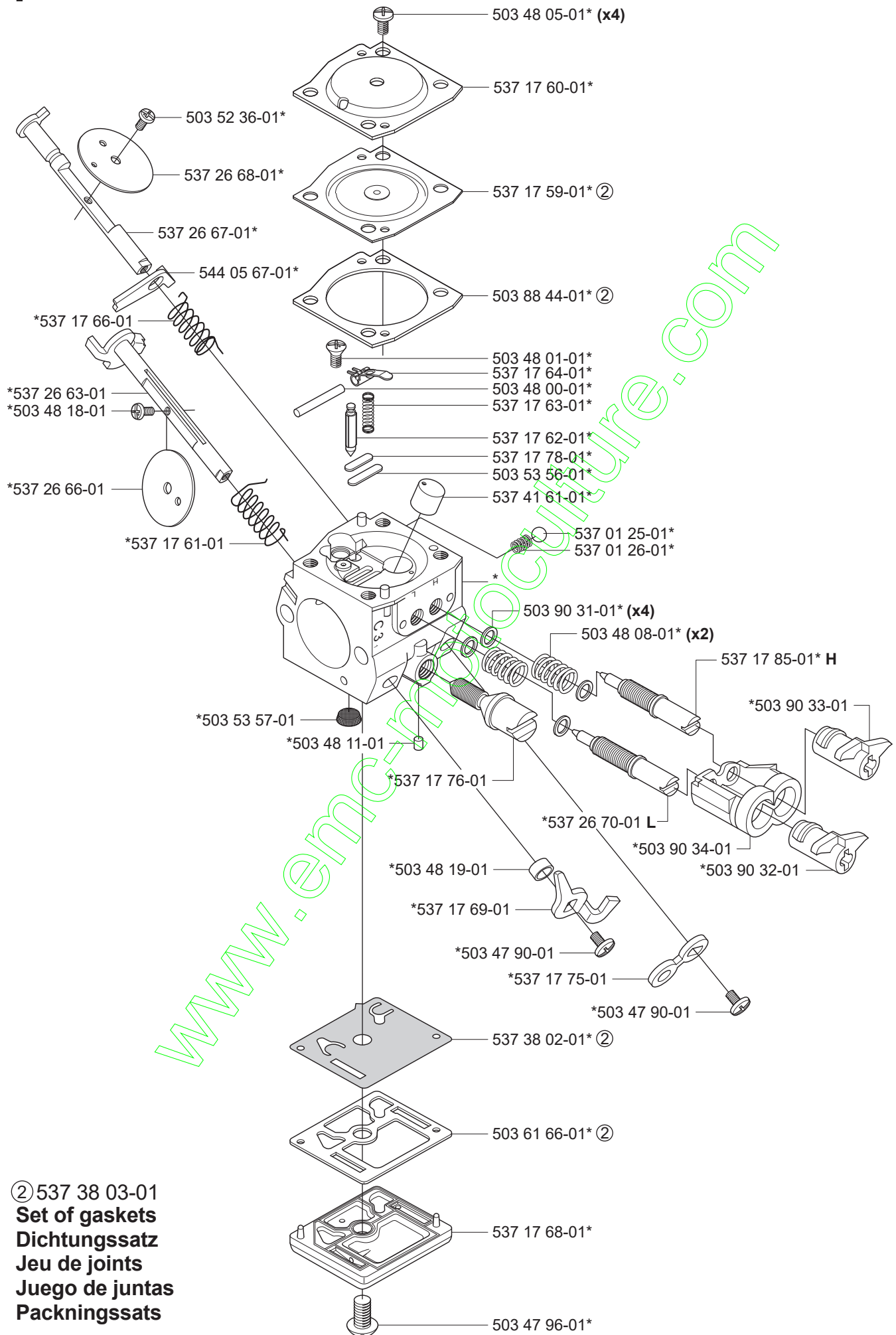
N *compl 537 10 47-02
Correction 503 99 58-02



P

*compl 503 28 32-08 ZAMA C3-EL18B (CS2141)

ZAMA C3-EL18B

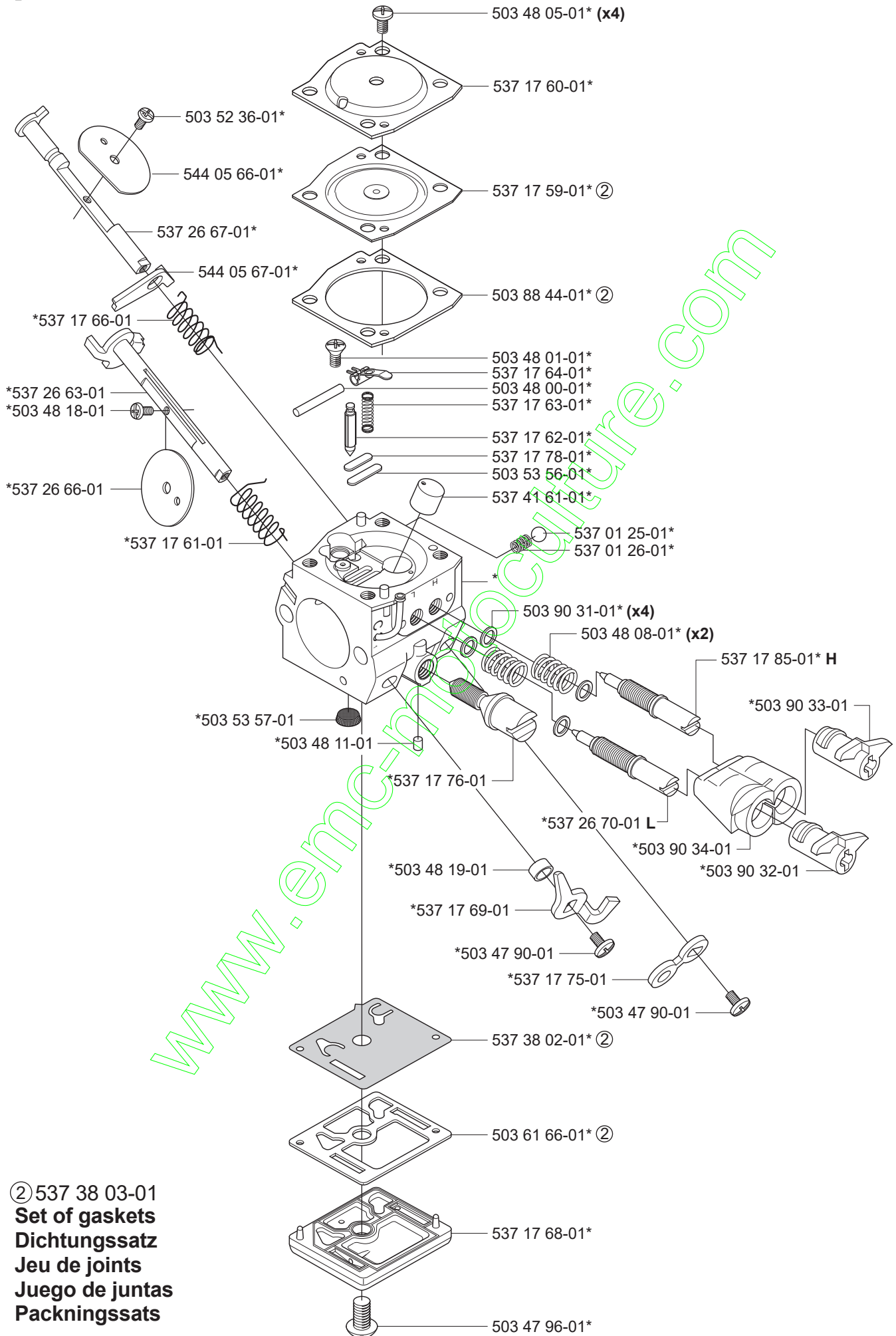


② 537 38 03-01
Set of gaskets
Dichtungssatz
Jeu de joints
Juego de juntas
Packningssats

P

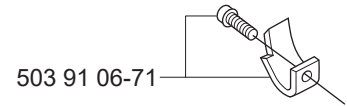
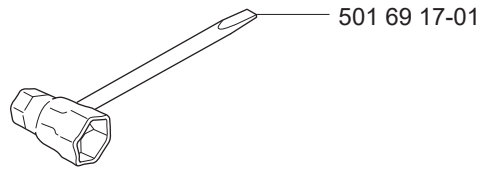
*compl 503 28 32-08 ZAMA C3-EL32 (CS2141S, CS2145S, CS2150)

ZAMA C3-EL32



② 537 38 03-01
Set of gaskets
Dichtungssatz
Jeu de joints
Juego de juntas
Packningsats

Q Tillbehör
Accessories
Zubehöre
Accessoires
Accesorios



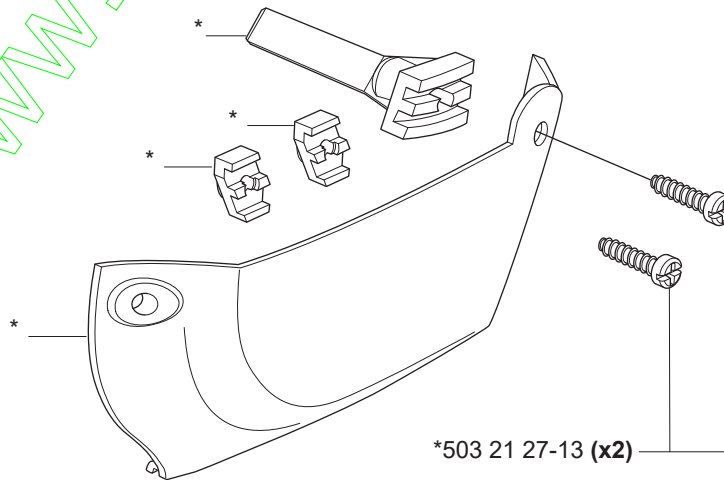
Winter kit

*compl 544 34 44-01 (CS2141S, CS2145S)



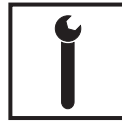
Winter kit

*compl 537 16 25-01 (CS2141, CS2150)

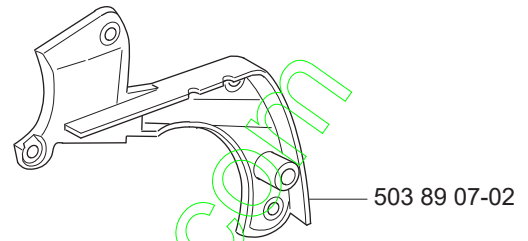
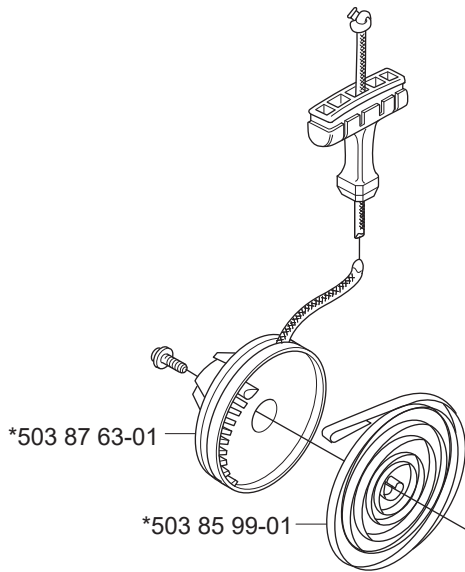




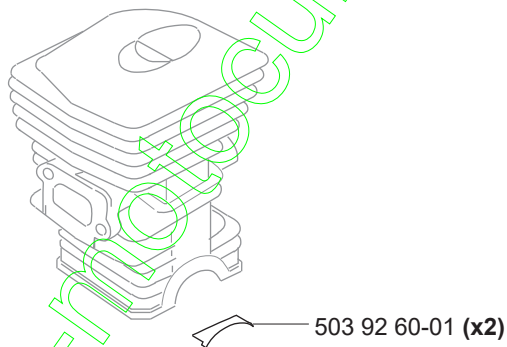
From 20012600001(2141)
 From 20012500001(2145)
 Up to 20012500501(2150)



Up to 003100001

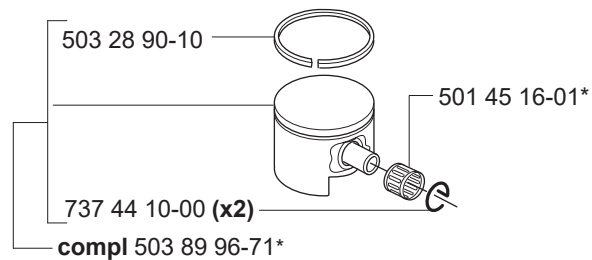
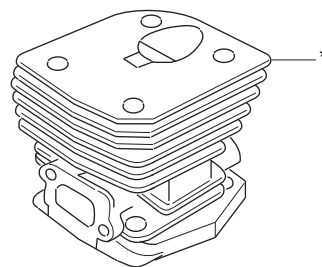


Up to 000601101 (CS 2141, CS 2145)



Up to 030103001
 Only EPA (CS 2150)

*compl 503 89 99-71 (CS 2150)



537 32 40-01 (350)

