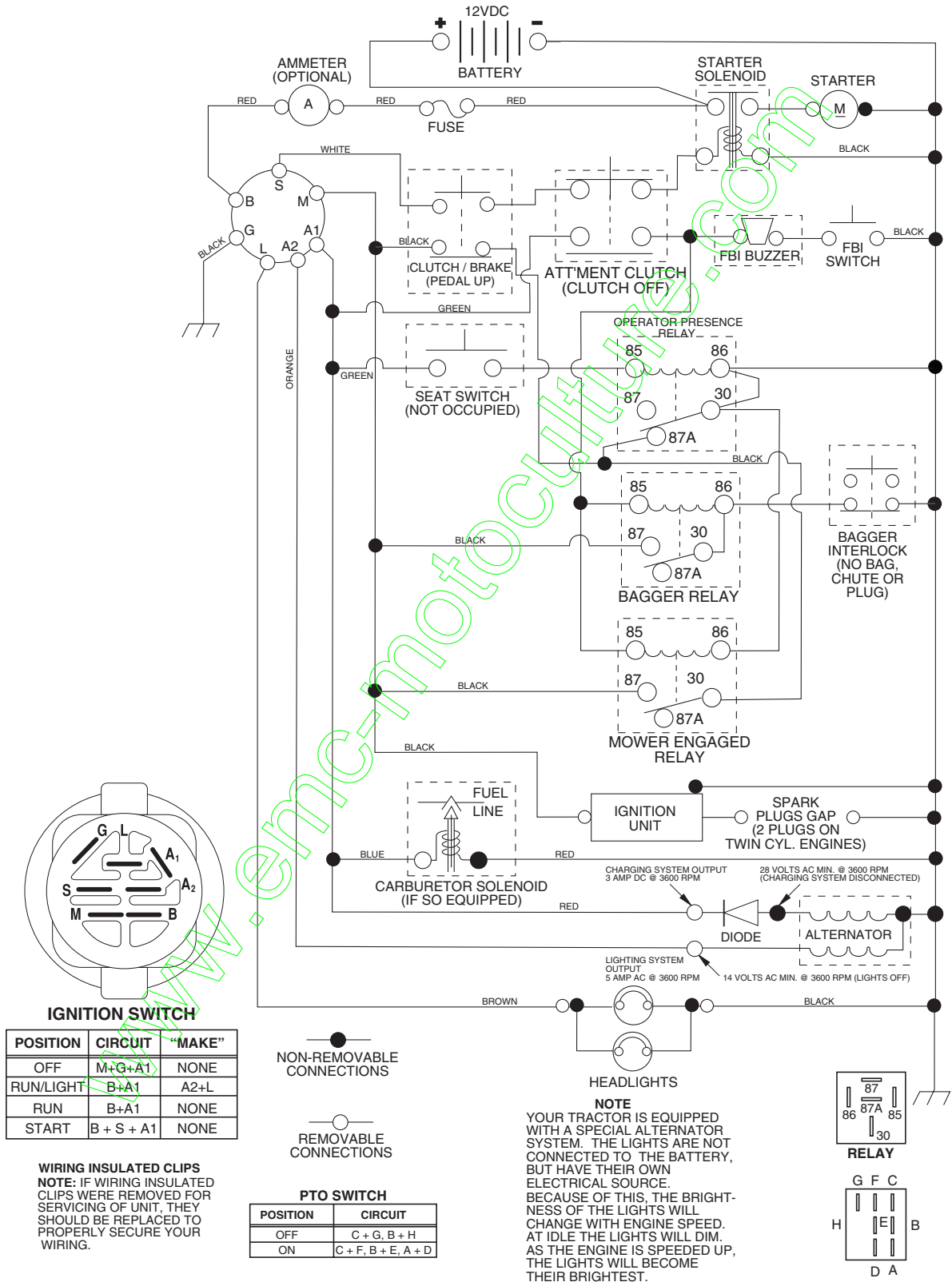


CT130

Spare parts
Ersatzteile
Pièces détachées
Reserve onderdelen
Repuestos
Reservdelar

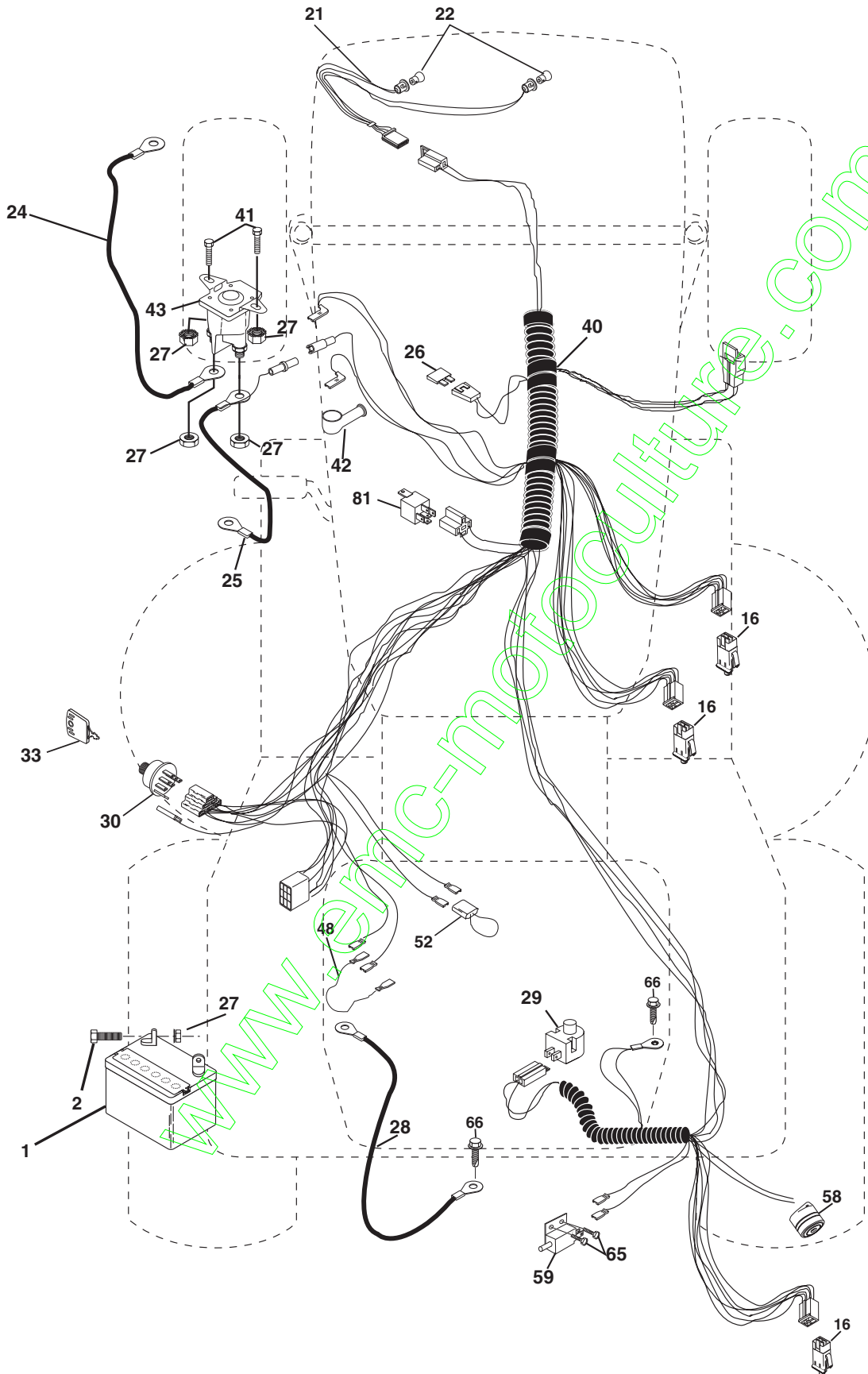
www.emc-motoculture.com

TRACTOR- -MODEL NO. CT130 (HECT130D) PRODUCT NO. 954 17 00-17 SCHEMATIC



REPAIR PARTS

TRACTOR- -MODEL NO. CT130 (HECT130D) PRODUCT NO. 954 17 00-17
ELECTRICAL



REPAIR PARTS

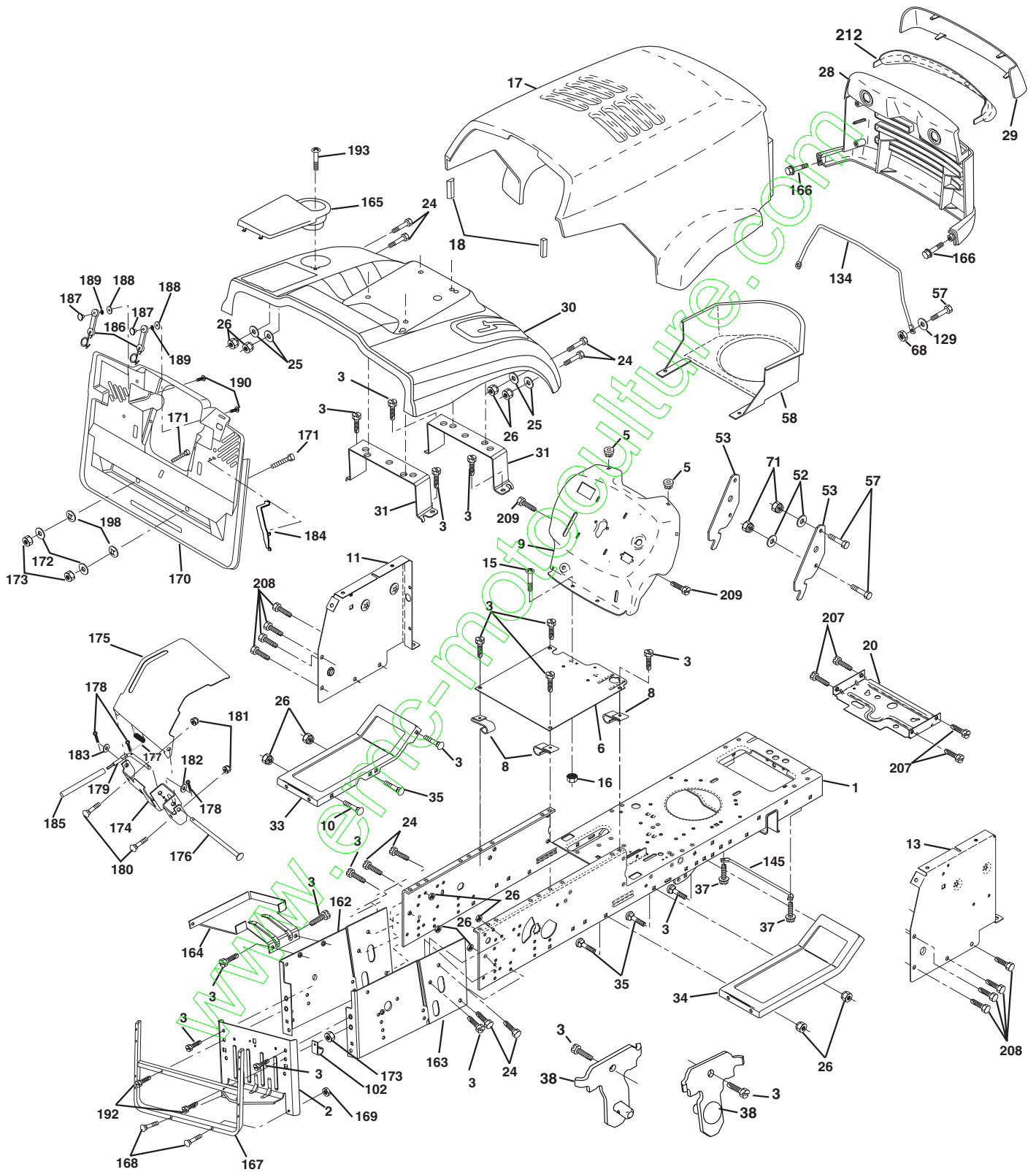
TRACTOR- -MODEL NO. CT130 (HECT130D) PRODUCT NO. 954 17 00-17
ELECTRICAL

| KEY NO. | PART NO. | DESCRIPTION |
|---------|-----------|-----------------------------------|
| 1 | 532144925 | Battery 12 Volt 25 AMP Wet |
| 2 | 874760412 | Bolt Hex Hd 1/4-20 Unc X 3/4 |
| 16 | 532153664 | Switch Interlock Push-In |
| 21 | 532166181 | Harness Asm Light W/4152J |
| 22 | 532004152 | Bulb Light #1156 |
| 24 | 532124780 | Cable Starter 6Ga 11" Red |
| 25 | 532165987 | Cable Battery Crd 56" Red |
| 26 | 532166180 | Fuse 15 Amp |
| 27 | 873510400 | Nut Keps Hex 1/4-20 Unc |
| 28 | 532127725 | Cable Ground 6Ga 18" Black |
| 29 | 532160784 | Switch Plunger Normal Op Olive |
| 30 | 532175566 | Switch Ignition |
| 33 | 532140401 | Key Ign Molded |
| 40 | 532170164 | Harness Ign Crd Noram |
| 41 | 871110408 | Bolt Flk Fin Hex 1/4-20 Unc X 1/2 |
| 42 | 532131563 | Cover Terminal Red |
| 43 | 532175141 | Solenoid |
| 48 | 532140844 | Adapter Ammeter Rectangular |
| 52 | 532141940 | Protection Wire Loop |
| 58 | 532169419 | Buzzer Crd |
| 59 | 532166299 | Switch FBI CRD |
| 65 | 817211008 | Screw Sltp #10-16 x 1/2 Ty-Ab |
| 66 | 817490608 | Screw Thdrol 3/8-16 x 1/2 Ty-Tt |
| 81 | 532109748 | Relay Asm |

NOTE: All component dimensions given in U.S. inches.
1 inch = 25.4 mm.

REPAIR PARTS

TRACTOR- -MODEL NO. CT130 (HECT130D) PRODUCT NO. 954 17 00-17
CHASSIS AND ENCLOSURES



REPAIR PARTS

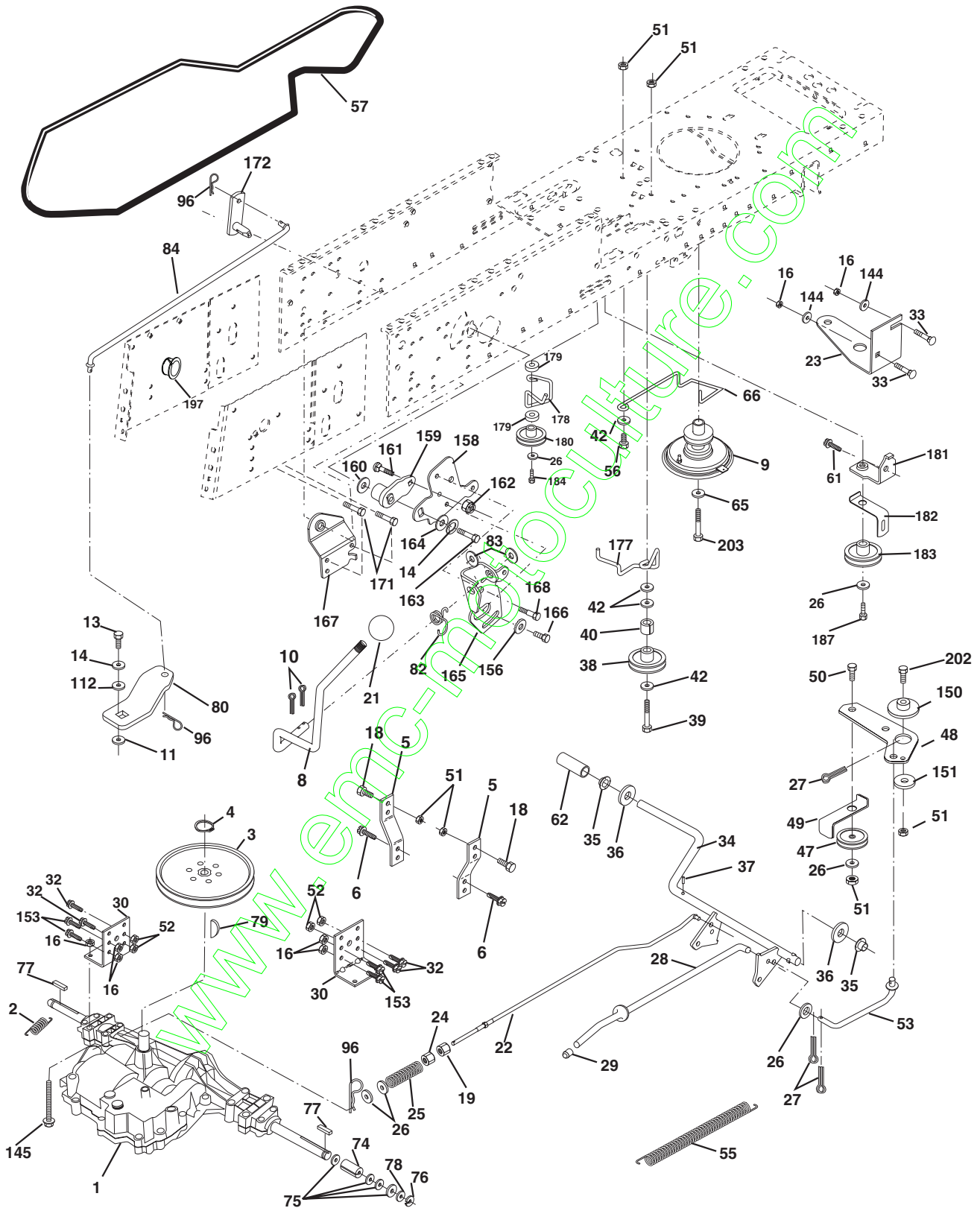
TRACTOR- -MODEL NO. CT130 (HECT130D) PRODUCT NO. 954 17 00-17 CHASSIS AND ENCLOSURES

| KEY NO. | PART NO. | DESCRIPTION | KEY NO. | PART NO. | DESCRIPTION |
|---------|------------------|--|---------|-----------|----------------------------------|
| 1 | 532169831 | Chassis Stamping | 163 | 532165673 | Bracket Exten Chassis Rh CRD |
| 2 | 532165606 | Drawbar | 164 | 532165605 | Support Battery CRD |
| 3 | 817060612 | Screw 3/8-16 x 3/4 | 165 | 532167979 | Cover Battery CRD Lt |
| 5 | 532155272 | Bumper Hood/Dash | 166 | 532164863 | Screw Hwnd Hi-Lo #13-16 x 3/4 |
| 6 | 532155923 | Saddle | 167 | 532165779 | Support Asm. Backplate WLDMNT |
| 8 | 532126471 | Clip Insulator 13/32 Mtg. Hole | 168 | 872050412 | Bolt, RDHD SHT NK 1/4-20 x 1-1/2 |
| 9 | 532171796 | Dash | 169 | 532123976 | Nut, Lock 1/4 LGE FLG Gr. 5 Zinc |
| 10 | 872140608 | Bolt, Carriage 3/8-16 x 3/4 | 170 | 532175264 | Backplate Asm CRD |
| 11 | 532155927 | Panel, Dash, L.H. | 171 | 874520640 | Bolt Hex 3/8-16 x 2-1/2 Gr. 5 |
| 13 | 532172108 | Panel, Asm. Dash R.H. | 172 | 819132016 | Washer 13/32 x 1-1/4 x 16 Ga. |
| 15 | 874180512 | Screw, Machine, Truss Head 5/16-18 UNC x 3/4 | 173 | 873510600 | Nut, Keps Hex 3/8-16 UNC |
| 16 | 873510500 | Nut | 174 | 532165939 | Bracket Switch FBI CRD |
| 17 | 532165378 | Hood Assembly | 175 | 532166212 | Guard Door Rear CRD |
| 18 | 532126938 | Bumper Hood | 176 | 532128600 | Pin Hinge Pivot |
| 20 | 532156437 | Plate Mtg. Battery/Fuel Tank | 177 | 532132796 | Spring Bagger Top LH Black |
| 24 | 874780616 | Bolt | 178 | 876020312 | Pin Cotter 3/32 x 3/4 Cad Zinc |
| 25 | 819131312 | Washer 13/32 x 13/16 x 12 Gauge | 179 | 532165942 | Rod Pivot FBI CRD |
| 26 | 873800600 | Nut | 180 | 874760516 | Bolt Hex HD 5/16-18 UNC x 1 |
| 28 | 532165379 | Grille PL | 181 | 873680500 | Nut Crownlock 5/16-18 |
| 29 | 532165380 | Lens, Grille | 182 | 532138200 | Washer .385 x .625 x 11 Ga. |
| 30 | 532168428 | Fender | 183 | 819131316 | Washer 13/32 x 13/16 x 16 Ga. |
| 31 | 532165156 | Bracket, Fender Support | 184 | 532174662 | Bracket Actuator Bagger CRD |
| 33 | 532147203 | Footrest, L.H. | 185 | 532165940 | Tube Lever Switch FBI CRD |
| 34 | 532147202 | Footrest, R.H. | 186 | 532160793 | Latch Asm Mulch/Bagger |
| 35 | 872110606 | Bolt | 187 | 532125004 | Nut Weld |
| 37 | 817490508 | Screw Thdrol 5/16-18 x 1/2 TYT | 188 | 819061216 | Washer #10 |
| 38 | 532169834 | Bracket Asm Pivot Mower Rear | 189 | 810071000 | Washer Lock #10 |
| 52 | 819091416 | Washer 9/32 x 7/8 x 16 Ga. | 190 | 871081010 | Screw Pan Hd Phillip 10-24 x 5/8 |
| 53 | 532150067 | Bracket Pick off LT/PI Husq | 192 | 817490624 | Screw Thdrol 3/8-16 x 1-1/4 |
| 57 | 874780412 | Bolt, Fin Hex 1/4-20 UNC x .75 | 193 | 817070412 | Screw Truss 1/4-20 x 3/4 Tap/R |
| 58 | 532150127 | Duct Air Engine PI/Lt | 198 | 532168937 | Nut Push |
| 68 | 873510400 | Nut Keps Hex 1/4-20 Unc | 207 | 817670508 | Screw Thdrol 5/16-18 x 1/2 |
| 71 | 873680400 | Nut Crownlock 1/4-20 Unc | 208 | 817670608 | Screw Thdrol 3/8-16 x 1/2 |
| 102 | 532124996 | Clip Line Fuel 13-13/32 Mtg. Hole | 209 | 817000612 | Screw Hexwsh Thdr 3/8-16 x 3/4 |
| 129 | 819091016 | Washer 9/32 x 5/8 x 16 Ga. | 212 | 532156195 | Insert Lens Reflective |
| 134 | 532160219 | Rod Support Hood Husq P/L | -- | 532005479 | Plug, Button |
| 145 | 532156524 | Rod Pivot Chassis/Hood | | | |
| 162 | 532170256 | Bracket Exten Chassis Lh CRD | | | |

NOTE: All component dimensions given in U.S. inches.
1 inch = 25.4 mm.

REPAIR PARTS

TRACTOR- -MODEL NO. CT130 (HECT130D) PRODUCT NO. 954 17 00-17
DRIVE



REPAIR PARTS

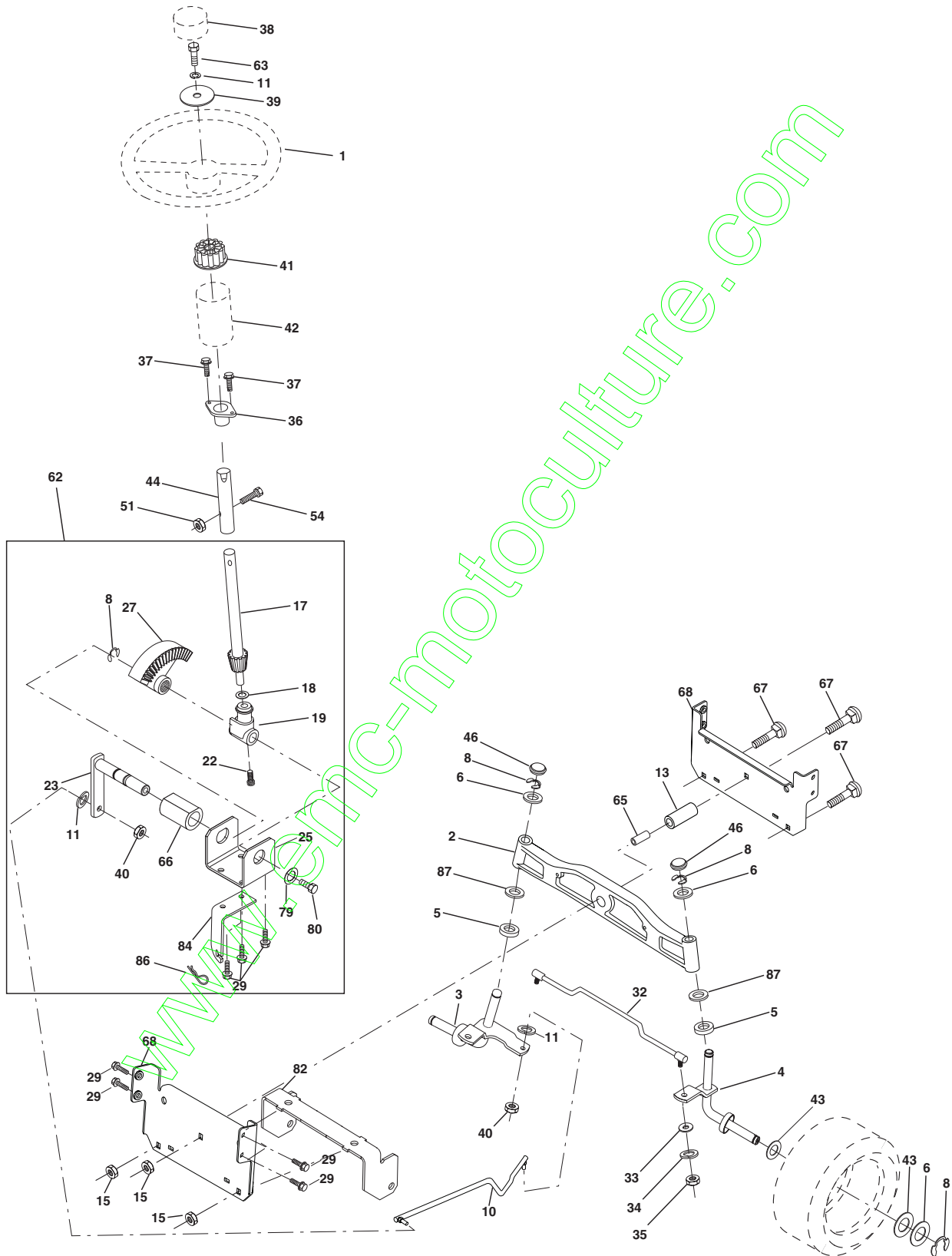
TRACTOR- -MODEL NO. CT130 (HECT130D) PRODUCT NO. 954 17 00-17
DRIVE

| KEY NO. | PART NO. | DESCRIPTION | KEY NO. | PART NO. | DESCRIPTION |
|---------|-----------|---|---------|-----------|------------------------------------|
| 1 | ----- | Transaxle Peerless 206-546 (Order parts from transaxle manufacturer) | 62 | 532123533 | Cover, Pedal |
| 2 | 532146682 | Spring Brake Return | 65 | 810040700 | Washer |
| 3 | 532165999 | Pulley Transaxle | 66 | 532154778 | Keeper, Belt Engine F-Proof |
| 4 | 812000028 | Ring Retainer #5100-62 | 74 | 532137057 | Spacer Axle |
| 5 | 532121520 | Strap torque 30 degrees | 75 | 532121749 | Washer 25/32 x 1-1/4 x 16 Ga. |
| 8 | 532165619 | Rod Shift Fender Adjust Lt | 76 | 812000001 | Ring, E |
| 9 | 532170163 | Clutch Asm Noram | 77 | 532123583 | Key, Square |
| 10 | 876020416 | Pin, Cotter 1/8 x 1 | 78 | 532121748 | Washer 25/32 x 1-5/8 x 16 Ga. |
| 11 | 532105701 | Washer Plate Shf .3888 sq hole | 79 | 532125096 | Key Woodruff |
| 13 | 874550412 | Bolt 1/4-28 Unf Gr 8 w/patch | 80 | 532145090 | Arm Shift PMST 20" Tires |
| 14 | 810040400 | Washer, Lock Hvy Helical | 82 | 532123782 | Spring, Torsion |
| 16 | 873800500 | Nut, Lock Hex w/Ins 5/16-18 UNC | 83 | 819171216 | Washer 17/32 x 3/4 x 16 Ga. |
| 18 | 874780616 | Bolt Hex 3/8-16 UNC x 1 Gr.5 | 84 | 532165621 | Link Shift CRD Pmst 18" Tires |
| 19 | 873800600 | Nut, Lock Hex w/Wsh 3/8-16 UNC | 96 | 532124788 | Spring, Retainer 1" |
| 21 | 532121274 | Knob Duckhead 1/2-13 Unc Blk | 112 | 819091210 | Washer 9/32 x 3/4 x 10 Ga. |
| 22 | 532165811 | Rod, Brake CRD 0650 | 144 | 819111016 | Washer 11/32 x 5/8 x 16 Ga. |
| 23 | 532170017 | Bracket Clutch Noram | 145 | 874490540 | Bolt Hex FGHD 5/16-18 x Gr 5 |
| 24 | 873350600 | Nut | 150 | 532165850 | Bushing, Bellcrank Grnd Dr |
| 25 | 532106888 | Spring, Rod, Brake | 151 | 819133210 | Washer 13/32 x 2 x 10 Ga. |
| 26 | 819131316 | Washer 13/32 x 13/16 x 16 Ga. | 153 | 874760516 | Bolt Hex Hd 5/16-18 Unc x 1 |
| 27 | 876020412 | Pin, Cotter 1/8 x 3/4 | 156 | 532166002 | Washer Srrd 5/16 ID x 1.125 |
| 28 | 532145204 | Rod, Parking Brake | 158 | 532165589 | Bracket Shift Mount |
| 29 | 532071673 | Cap, Parking Brake | 159 | 532165494 | Hub Tapered Flange Shift Lt |
| 30 | 532174973 | Bracket, Mfg. Transaxle | 160 | 819292016 | Washer 29/32 x 1-1/4 x 16 Ga. |
| 32 | 874760512 | Bolt Hex 5/16-18 UNC x 3/4 | 161 | 872140406 | Bolt Rdhd Sqnk 1/4-20 x 3/4 Gr 5 |
| 33 | 872140506 | Bolt Rdhd Sqnk 5/16-18 Unc x 3/4 | 162 | 873680400 | Nut Crownlock 1/4-20 Unc |
| 34 | 532165496 | Shaft, Asm Pedal Foot CRD | 163 | 874780416 | Bolt Hex Fin 1/4-20 Unc x 1 Gr 5 |
| 35 | 532120183 | Bearing, Nylon | 164 | 819091010 | Washer 5/8 x .281 x 10 Ga. |
| 36 | 819211616 | Washer 21/32 x 1 x 16 Ga. | 165 | 532165623 | Bracket Pivot Lever |
| 37 | 532124963 | Pin, Roll 3/16 x 1" | 166 | 532166880 | Screw 5/16-18 x 5/8 |
| 38 | 532165936 | Pulley, Flat | 167 | 532165588 | Bracket Support Shift CRD |
| 39 | 874760644 | Bolt Fin Hex 3/8-16 UNC x 2-3/4 | 168 | 532165492 | Bolt Shoulder 5/16-18 x .561 |
| 40 | 532124965 | Spacer, Split 395 x 59 Bzp | 171 | 817490608 | Screw Thdrol 3/8-16 x 1/2 Ty-Tt |
| 42 | 819131312 | Washer 13/32 x 13/16 x 12 Ga. | 172 | 532165635 | Shaft Asm Shift Front CRD PMST |
| 47 | 532127783 | Pulley, Idler, V Groove, Plasic | 177 | 532165932 | Keeper Flat Idler 3.06" CRD |
| 48 | 532154407 | Bellcrank Clutch Grnd Drv | 178 | 532165933 | Keeper Belt Idler 1.88" CRD |
| 49 | 532123205 | Retainer, Belt Style Spring | 179 | 532120958 | Washer Sintered |
| 50 | 874760624 | Bolt Hex Hd 3/8-16 UNC x 1-1/2 | 180 | 532165630 | Pulley Flat Composite 3.06" |
| 51 | 873680600 | Nut, Crownlock 3/8-16 UNC | 181 | 532165797 | Bracket Idler Ground Drive CRD |
| 52 | 873680500 | Nut Crownlock 5/16-18 | 182 | 532165634 | Keeper Belt 2.5" Od V-Idler CRD |
| 53 | 532105710 | Link, Clutch 7.66 | 183 | 532165626 | Pulley V-Idler 2.50" Od CRD |
| 55 | 532105709 | Spring, Return, Clutch | 184 | 817490644 | Screw Hexwsh Thdrol 3/8-16 x 2-3/4 |
| 56 | 874760620 | Bolt, Hex 3/8-16 UNC x 1-1/4 | 187 | 817490620 | Screw Thdrol 3/8-16 x 1-1/4 |
| 57 | 532165631 | V-Belt Kev PMST CRD | 202 | 872110612 | Bolt Carr Sh 3/8-16 x 1/2 Ty-Tt |
| 61 | 817060612 | Screw 3/8-16 x 3/4 | 203 | 871170780 | Bolt Hex 7/16-20 x 5 |

NOTE: All component dimensions given in U.S. inches
1 inch = 25.4 mm

REPAIR PARTS

TRACTOR- -MODEL NO. CT130 (HECT130D) PRODUCT NO. 954 17 00-17
STEERING ASSEMBLY



REPAIR PARTS

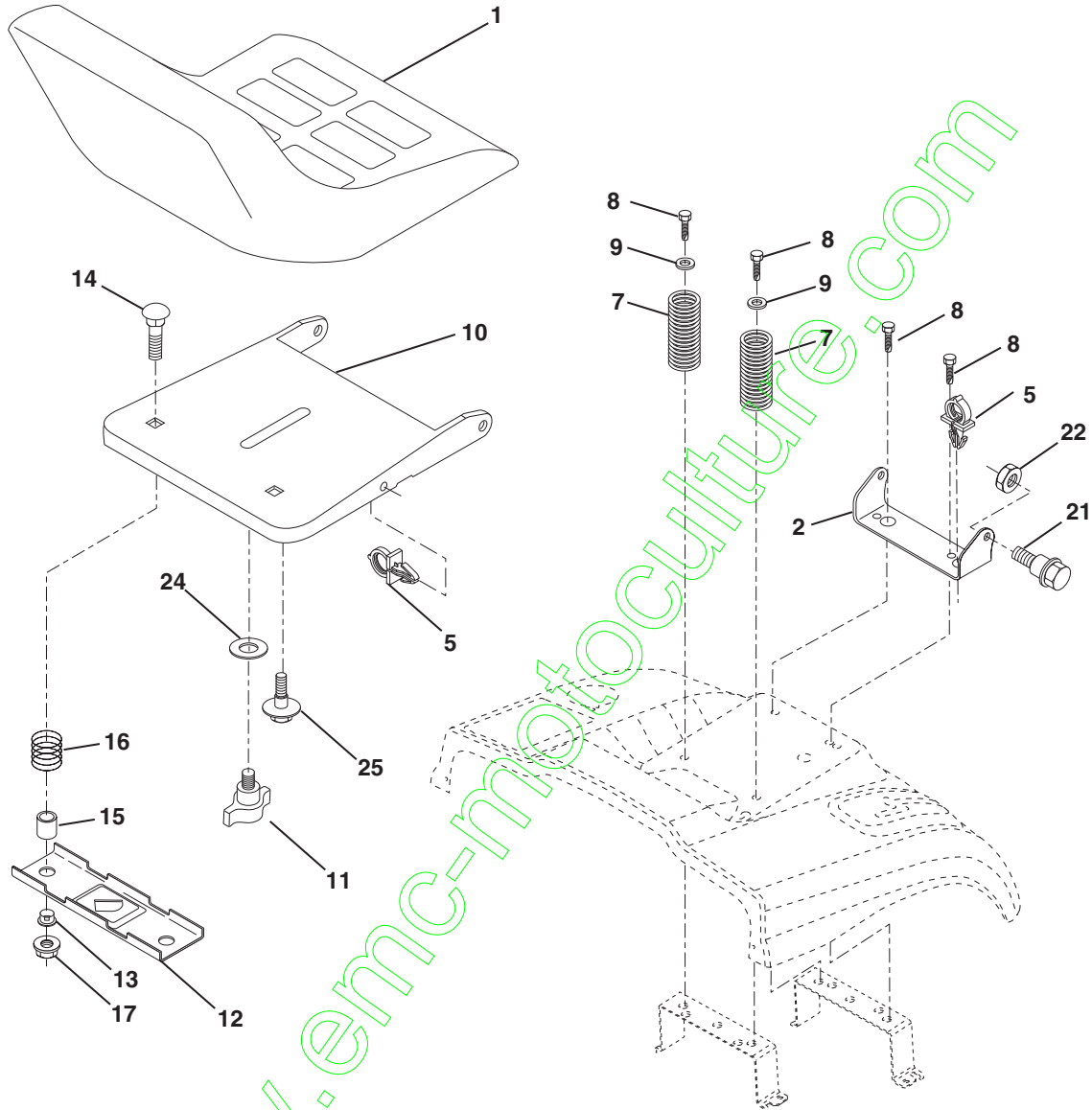
TRACTOR- -MODEL NO. CT130 (HECT130D) PRODUCT NO. 954 17 00-17
STEERING ASSEMBLY

| KEY NO. | PART NO. | DESCRIPTION |
|---------|-----------|------------------------------------|
| 1 | 532166627 | Steering Wheel |
| 2 | 532172393 | Axle Asm Cast Iron Lt |
| 3 | 532169840 | Spindle Assembly, L.H. |
| 4 | 532169839 | Spindle Assembly, R.H. |
| 5 | 532124931 | Bearing, Race, Thrust, Hardened |
| 6 | 532121748 | Washer 25/32 x 1-5/8 x 16 Gauge |
| 8 | 812000029 | Ring, Klip |
| 10 | 532169832 | Link, Drag |
| 11 | 810040600 | Washer, Lock |
| 13 | 532136518 | Spacer Brg Axle Front |
| 15 | 532145212 | Nut Hex Flange Lock |
| 17 | 532156546 | Shaft Assembly, Steering |
| 18 | 532057079 | Washer, Thrust .515 x .750 x .033 |
| 19 | 532160395 | Support, Shaft |
| 22 | 532165857 | Screw Hex Wshhd Torx |
| 23 | 532165851 | Pittman Shaft Assembly |
| 25 | 532154406 | Bracket, Steering |
| 27 | 532136874 | Gear, Sector |
| 29 | 817060612 | Screw 3/8-16 x 3/4 |
| 32 | 532170162 | Rod, Tie |
| 33 | 819111216 | Washer 11/32 x 3/4 x 16 Ga. |
| 34 | 810040500 | Washer Lock Hvy Hlcl Spr 5/16 |
| 35 | 873540500 | Crownlock Nut 5/16-24 Unf 3847 |
| 36 | 532155099 | Bushing, Steering |
| 37 | 532152927 | Screw TT #10-32 x 5 x 3/8 Flange |
| 38 | 532166626 | Cap Wheel Steering |
| 39 | 819132411 | Washer 13/32 x 1-1/20 x 11 Gauge |
| 40 | 532124701 | Nut Lock Center 3/8-24 Unf |
| 41 | 532159945 | Adaptor, Steering Wheel |
| 42 | 532169634 | Boot, Steering Dash P/L Mtl |
| 43 | 532121749 | Washer 25/32 x 1-1/4 x 16 Gauge |
| 44 | 532153720 | Extension Steering Non-Adjust |
| 46 | 532121232 | Cap, Spindle |
| 51 | 873800500 | Nut Lock Hx W/Ins 5/16-18 UNC |
| 54 | 874780520 | Bolt Fin Hex 5/16-18 UNC x 1-1/4 |
| 62 | 532167914 | Kit, Steering Assembly, Service |
| 63 | 874780616 | Bolt Fin Hex 3/8-16 unc. x 1 Gr. 5 |
| 65 | 532160367 | Spacer Brace Axle |
| 66 | 532154404 | Bearing Arm Pittman |
| 67 | 872140618 | Bolt Rdhd Sq 3/8-16 x 2-1/4 |
| 68 | 532169827 | Brace Axle |
| 79 | 819132012 | Washer 13/32 x 1-1/4 x 12 Ga |
| 80 | 874950612 | Bolt Hex Nylon 3/8-16 x 3/4 |
| 82 | 532169835 | Bracket Susp Chassis Front |
| 84 | 532170016 | Bracket Cable Clutch Chassis |
| 86 | 532165898 | Retainer Spring |
| 87 | 532173966 | Washer Flat .781 x 1 1/2 x .14 |

NOTE: All component dimensions given in U.S. inches.
1 inch = 25.4 mm.

REPAIR PARTS

TRACTOR- -MODEL NO. CT130 (HECT130D) PRODUCT NO. 954 17 00-17
SEAT ASSEMBLY



| KEY NO. | PART NO. | DESCRIPTION |
|---------|-----------|--------------------------------|
| 1 | 532140839 | Seat |
| 2 | 532140551 | Bracket Pnt Pivot Seat (blk) |
| 5 | 532145006 | Clip Push In Hinged |
| 7 | 532124181 | Spring Seat Cprsn 2 250 Blk Zi |
| 8 | 817000616 | Screw 3/8-16 X 1-1/2 |
| 9 | 819131614 | Washer 13/32 X 1 X 14 Ga |
| 10 | 532174894 | Pan Pnt Seat (blk) |
| 11 | 532166369 | Knob Seat Adj. Wingnut |
| 12 | 532121246 | Bracket Pnt Mounting Switch |
| 13 | 532121248 | Bushing Snap Blk Nyl 50 Id |

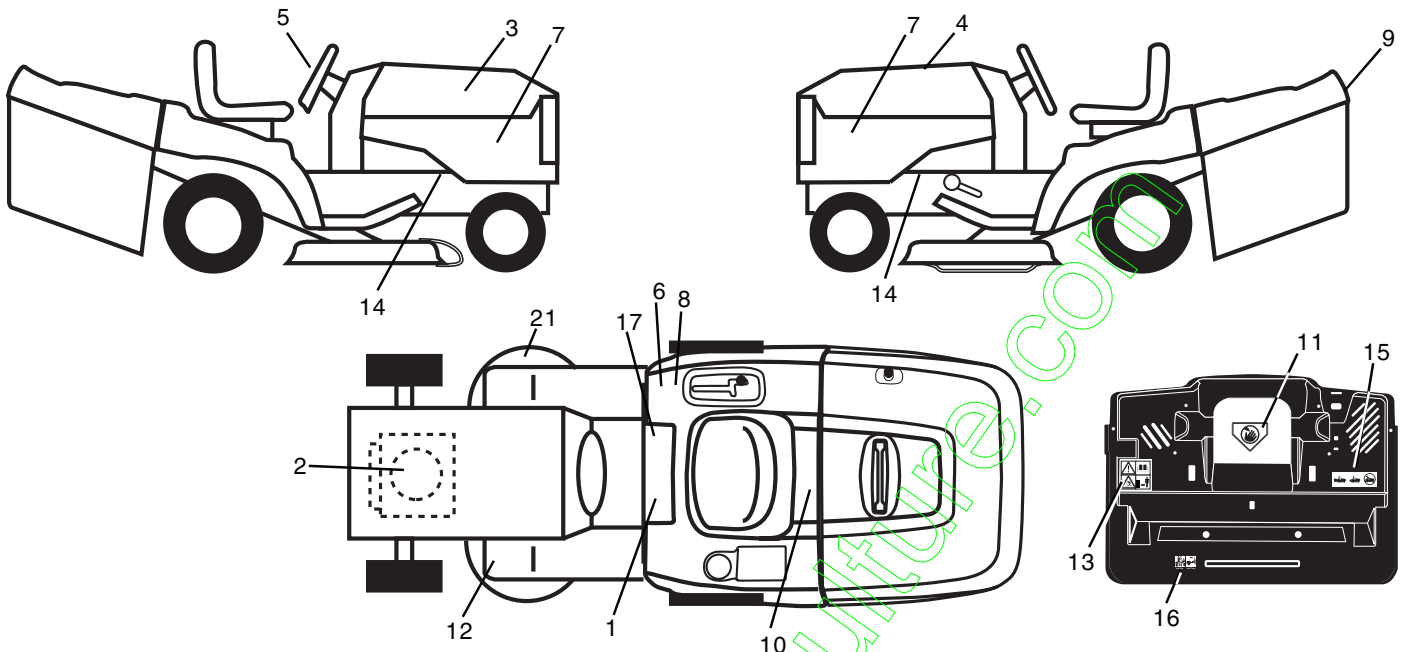
| KEY NO. | PART NO. | DESCRIPTION |
|---------|-----------|--------------------------------|
| 14 | 872050412 | Bolt Rdhd Sht Nk 1/4-20x1-1/2 |
| 15 | 532134300 | Spacer Split |
| 16 | 532121250 | Spring Cprsn Plate SW 1.310 Ga |
| 17 | 532123976 | Nut Lock 1/4 Lge Flg Gr 5 Zinc |
| 21 | 532171852 | Bolt Shoulder 5/16-18 Unc-2A |
| 22 | 873800500 | Nut Hex Lock w/Ins 5/16-18 |
| 24 | 819171912 | Washer 17/32 X 1-3/16 X 12 Ga. |
| 25 | 532127018 | Bolt Shoulder 5/16-18 X 62 |

NOTE: All component dimensions given in U.S. inches.
1 inch = 25.4 mm

REPAIR PARTS

TRACTOR- -MODEL NO. CT130 (HECT130D) PRODUCT NO. 954 17 00-17

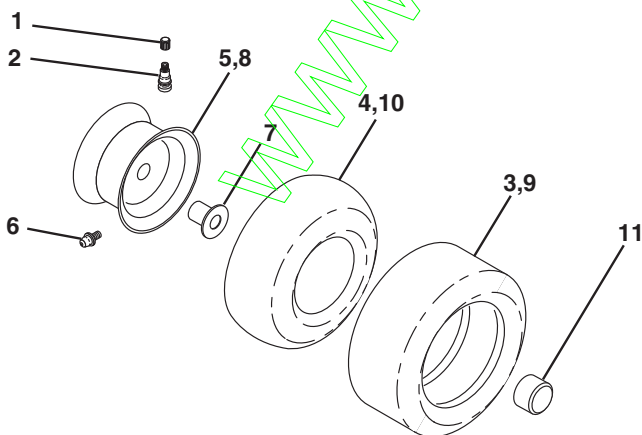
DECALS



| KEY NO. | PART NO. | DESCRIPTION |
|---------|-----------|-------------------------------|
| 1 | 532145498 | Decal Read Owner's Manual Sym |
| 2 | 532170848 | Decal Hp Engine |
| 3 | 532167090 | Decal Hood Rh |
| 5 | 532170564 | Decal Wheel Logo |
| 4 | 532167091 | Decal Hood Lh |
| 6 | 532126187 | Decal 100 DBA |
| 7 | 532159713 | Decal Panel Side |
| 8 | 532145437 | Decal Europe Stand Ce |
| 9 | 532150617 | Decal Fender Logo |
| 10 | 532145005 | Decal Bat Dan/Poi P/L Sym Wpn |
| 11 | 532145494 | Decal Mower Cut Finger Symbol |

| KEY NO. | PART NO. | DESCRIPTION |
|---------|-----------|------------------------------|
| 12 | 532159737 | Decal Brake/Clutch Symbol Lt |
| 13 | 532166959 | Decal Warn Back Plate CRD |
| 14 | 532159736 | Decal Chassis Hot Muffler |
| 15 | 532166961 | Decal Oper Bag Presence CRD |
| 16 | 532162598 | Decal Drawbar Load Limit |
| 17 | 532140837 | Decal Saddle Brake Parking |
| 21 | 532166286 | Decal Deck Sch 92 CRD |
| — | 532138311 | Decal Lift Handle |
| — | 532171237 | Pad Footrest |
| — | 532175584 | Manual Operator's (Euro) |
| — | 532175585 | Manual Operator's (Scand) |

WHEELS & TIRES

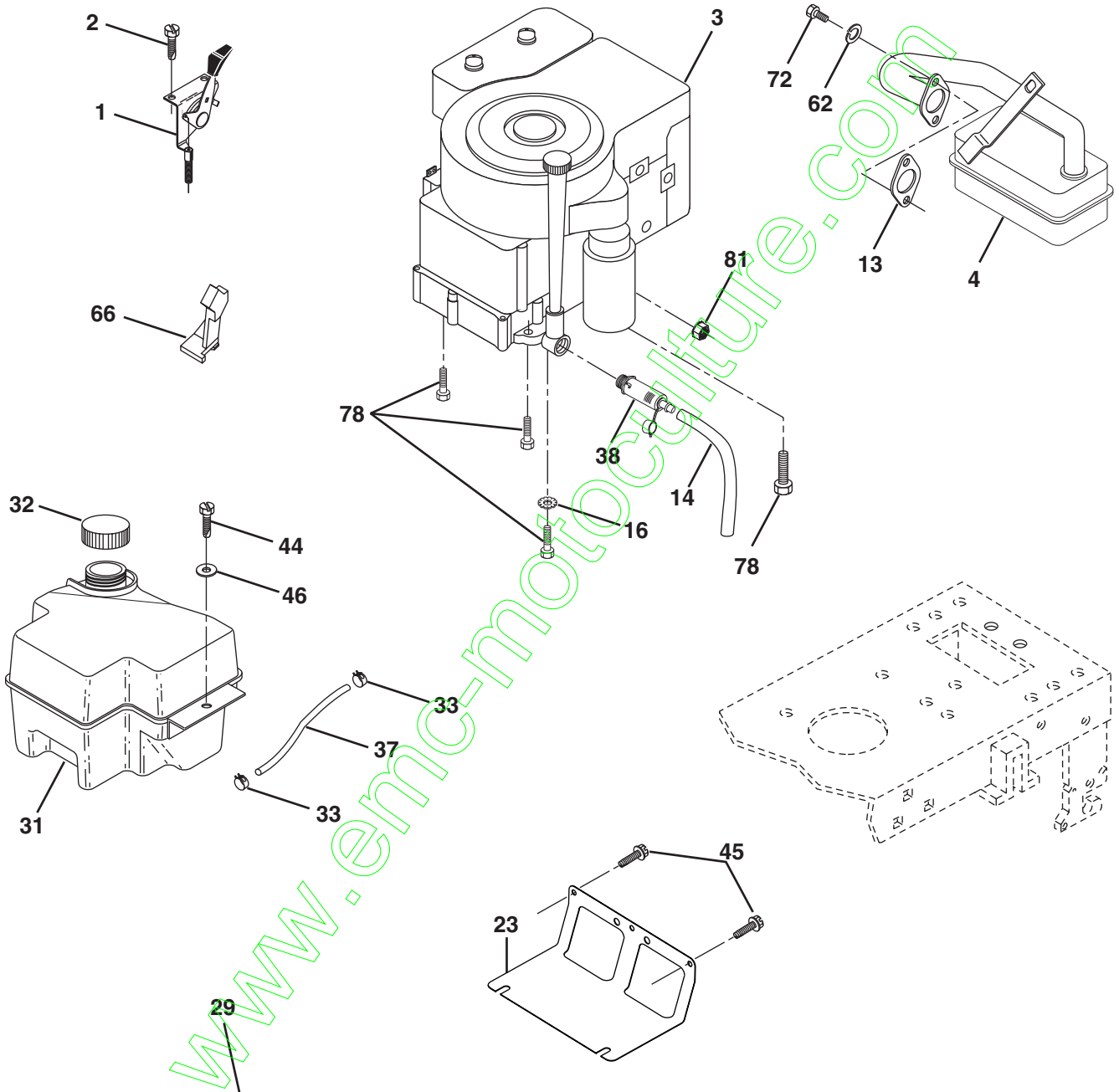


| KEY NO. | PART NO. | DESCRIPTION |
|---------|-----------|--------------------------------|
| 1 | 532059192 | Cap Value Tire |
| 2 | 532065139 | Stem Value |
| 3 | 532106222 | Tire F Ts 15 X 6 0 - 6 Service |
| 4 | 532059904 | Tube Inner Front #35060 |
| 5 | 532138336 | Rim Asm 6"front White Service |
| 6 | 532124957 | Fitting Grease |
| 7 | 532124959 | Bearing Flange |
| 8 | 532138337 | Rim Asm 8"rear White Service |
| 9 | 532124635 | Tire R Ts 18 x 8.5-8 Service |
| 10 | 532124926 | Tube Rear 9 5 X 8 Service |
| 11 | 532175039 | Cap Axle Blk 1 50 X 1 00 |
| -- | 532144334 | Sealant, Tire (10 oz. tube) |

NOTE: All component dimensions given in U.S. inches.
1 inch = 25.4 mm

REPAIR PARTS

TRACTOR- -MODEL NO. CT130 (HECT130D) PRODUCT NO. 954 17 00-17
ENGINE



REPAIR PARTS

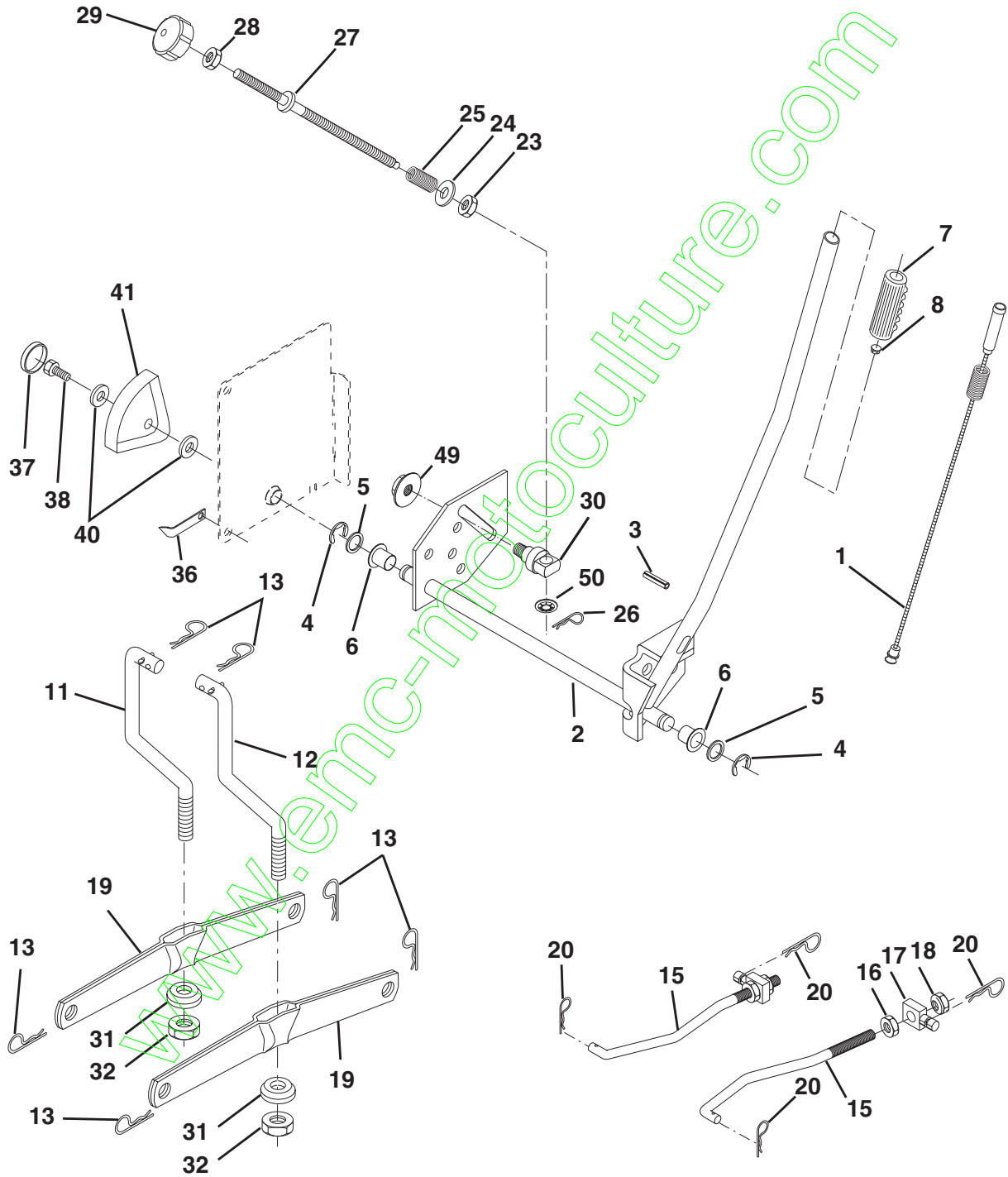
TRACTOR- -MODEL NO. CT130 (HECT130D) PRODUCT NO. 954 17 00-17
ENGINE

| KEY NO. | PART NO. | DESCRIPTION |
|---------|------------------|--|
| 1 | 532170865 | Control Throt/Ch Flag |
| 2 | 817720410 | Screw Hex Thd Cut 1/4-20x5/8 T |
| 3 | ----- | Engine Briggs Model 28R707 (Order Parts from Engine Manufacturer) |
| 4 | 532137348 | Muffler Exhaust B&S Lt |
| 13 | 532165291 | Gasket 1 313 Id Tin Plated |
| 14 | 532148456 | Tube Drain Oil Easy |
| 16 | 811050600 | Washer Lock Ext.Tooth 3/8 |
| 23 | 532169837 | Shield Browning/Debris Guard |
| 29 | 532137180 | Arrestor Spark |
| 31 | 532174642 | Tank Fuel 2.00 Fr |
| 32 | 532140527 | Cap Asm Fule Top Vent N/Lany |
| 33 | 532123487 | Clamp Hose Blk |
| 37 | 532137040 | Line Fuel 20" |
| 38 | 532148315 | Plug Drain Oil Easy |
| 44 | 817670412 | Screw Hexwsh Thdrol 1/4-20 x 3/4 |
| 45 | 817000612 | Screw Hexwsh Thdr 3/8-16 x 3/4 |
| 46 | 819091416 | Washer 9/32 X 7/8 X 16ga |
| 62 | 810040500 | Washer Lock Hvy Hlcl Spr 5/16 |
| 66 | 532127951 | Stop Throttle 3000 Rpm |
| 72 | 871070512 | Screw Hexhd Cap 5/16-18 x 3/4 |
| 78 | 817060620 | Screw 3/8-16x1-1/4 |
| 81 | 873510400 | Nut Keps 1/4-20 Unc |

NOTE: All component dimensions given in U.S. inches.
1 inch = 25.4 mm

REPAIR PARTS

TRACTOR- -MODEL NO. CT130 (HECT130D) PRODUCT NO. 954 17 00-17
MOWER LIFT



REPAIR PARTS

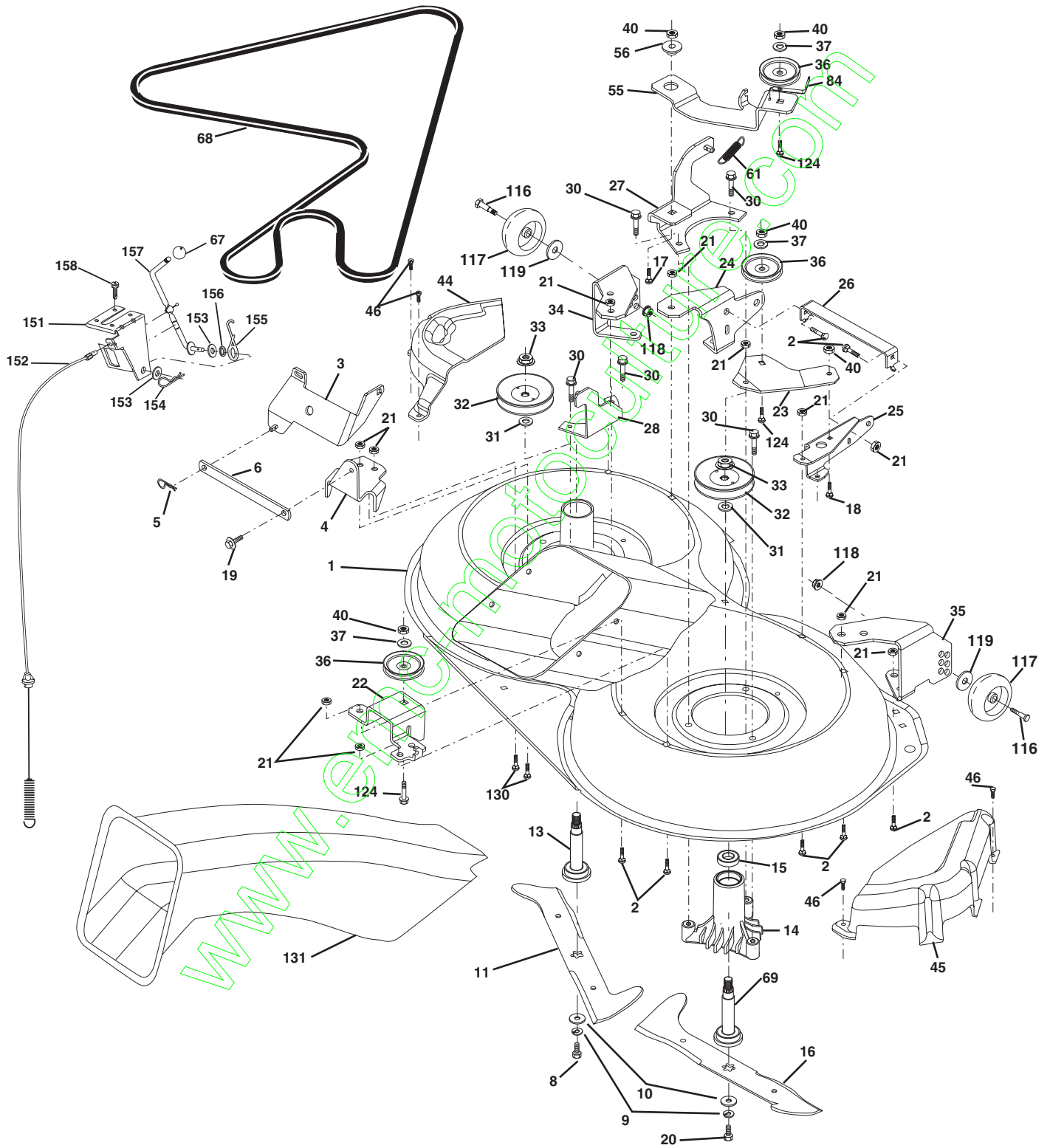
TRACTOR- -MODEL NO. CT130 (HECT130D) PRODUCT NO. 954 17 00-17
MOWER LIFT

| KEY NO. | PART NO. | DESCRIPTION |
|---------|-----------|-----------------------------------|
| 1 | 532159460 | Washer Asm Inner Spring W/Plunger |
| 2 | 532159471 | Shaft Asm. Lift |
| 3 | 532105767 | Pin Groove |
| 4 | 812000002 | E Ring #5133-62 |
| 5 | 819211621 | Washer 21/32 x 1 x 21 Ga. |
| 6 | 532120183 | Bearing Nylon |
| 7 | 532125631 | Grip Handle |
| 8 | 532124526 | Button Plunger Black |
| 11 | 532165829 | Link Asm Lift L.H. |
| 12 | 532165831 | Link Asm Lift R.H. |
| 13 | 532124670 | Retainer Spring |
| 15 | 532173288 | Link Front |
| 16 | 873350800 | Nut Jam Hex 1/2-13 Unc |
| 17 | 532130171 | Trunnion Blk Zinc |
| 18 | 873800800 | Nut Lock W/Wsh 1/2-13 Unc |
| 19 | 532139868 | Arm Suspension Mower |
| 20 | 532163552 | Retainer Spring |
| 23 | 532110807 | Nut Special |
| 24 | 819131016 | Washer 13/32 x 5/8 x 16 Ga. |
| 25 | 532124874 | Spring 2-1/8 |
| 26 | 532169484 | Retainer Clip |
| 27 | 532126971 | Rod Adj Lift Zinc |
| 28 | 873350600 | Nut Hex Jam 3/8-16 Unc |
| 29 | 532138057 | Knob Inf 3/8-16 unc |
| 30 | 532150233 | Trunnion Infin Height |
| 31 | 532169865 | Bearing, Pvt. Lift. |
| 32 | 873540600 | Nut Crownlock 3/8-24 |
| 36 | 532155097 | Pointer Height Indicator |
| 37 | 532123935 | Plug Hole Blk |
| 38 | 817060516 | Screw 5/16-18 x 1 |
| 40 | 819112410 | Washer 11/32 x 1-1/2 x 10 Ga |
| 41 | 532123934 | Scale Ind Height Blk |
| 49 | 532145212 | Nut Hex flange lock |
| 50 | 532110452 | Nut Push Phos &Oil |

NOTE: All component dimensions given in U.S. inches.
1 inch = 25.4 mm

REPAIR PARTS

TRACTOR- -MODEL NO. CT130 (HECT130D) PRODUCT NO. 954 17 00-17
MOWER



REPAIR PARTS

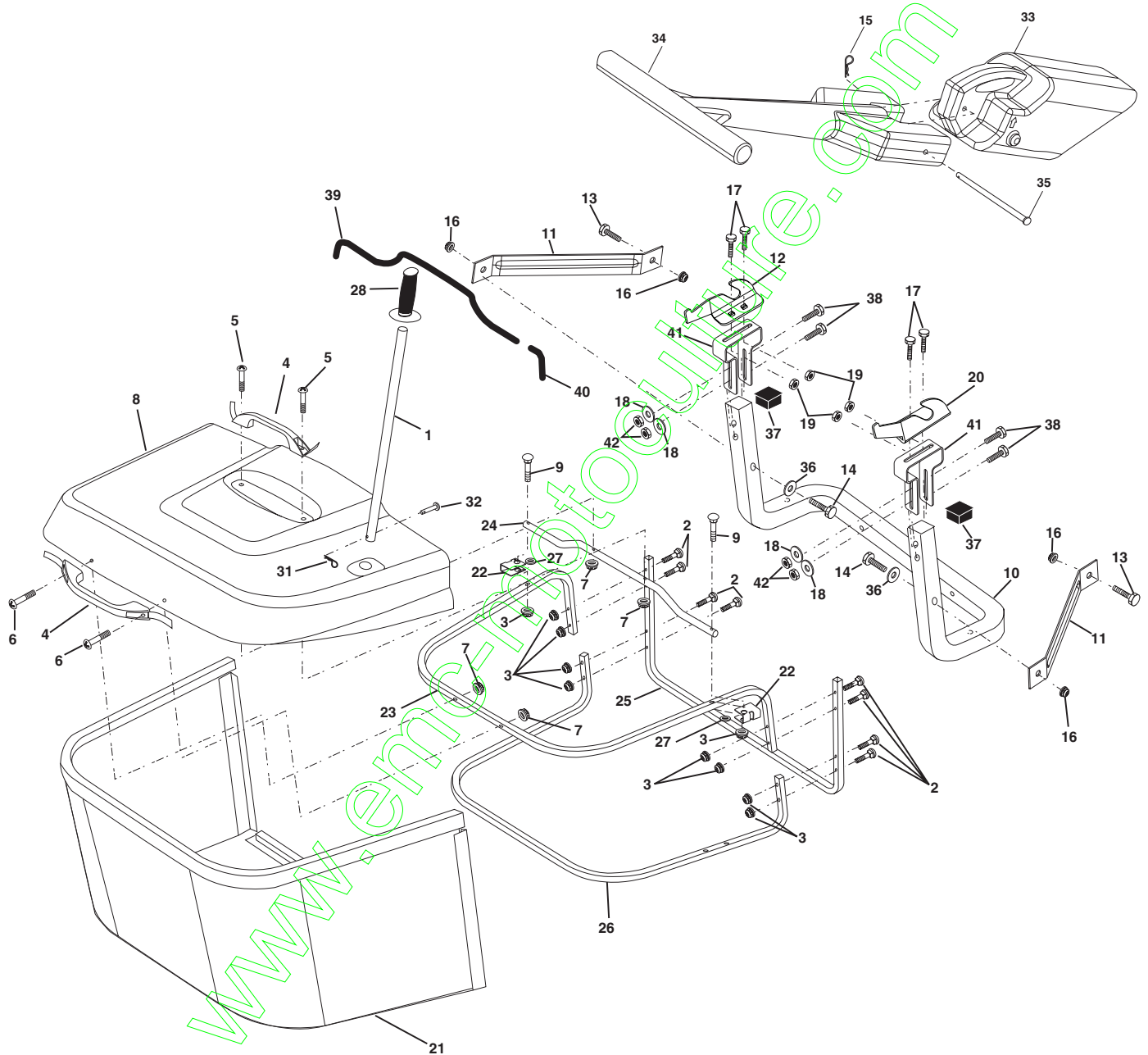
TRACTOR- -MODEL NO. CT130 (HECT130D) PRODUCT NO. 954 17 00-17
MOWER

| KEY NO. | PART NO. | DESCRIPTION | KEY NO. | PART NO. | DESCRIPTION |
|---------|-----------|-----------------------------------|---------|-----------|---------------------------------|
| 1 | 532165552 | Housing Asm. Mower 92 CRD | 37 | 819131316 | Washer 11/32 x 13/16 x 16 Ga |
| 2 | 872140506 | Bolt Rdhd Sqnk 5/16-18 Unc x 3/4 | 40 | 873680600 | Nut Crownlock 3/8-16 Unc |
| 3 | 532165569 | Bracket Asm. S-Bar Chass 92 CRD | 44 | 532165724 | Cover Mandrel Lh 92 CRD |
| 4 | 532165558 | Bracket Bar Sway Deck 92 CRD | 45 | 532165556 | Cover Mandrel Rh 92 CRD |
| 5 | 532124670 | Retainer Spring | 46 | 532137729 | Screw Thd Roll 1/4-20 x 5/8 |
| 6 | 532165557 | Bar Sway 92 CRD | 55 | 532165445 | Arm Idler 92 CRD |
| 8 | 532850857 | Bolt 3/8-24 x 1.25 Gr8 Patched | 56 | 532165723 | Spacer Retainer Mower |
| 9 | 810030600 | Washer Lock Hvy 3/8 Unplated | 61 | 532165945 | Spring Tension Belt |
| 10 | 532140296 | Washer Hard Blade Mower vented | 67 | 532106932 | Knob Rd 3/8-16 Plstc Thds Blk |
| 11 | 532170037 | Blade 3-1 Lh 92 CRD | 68 | 532165555 | Hex-Belt 92 Mower 105AA |
| 12 | 532129895 | Bearing Ball #6204 (Mandrel) | 69 | 532165482 | Shaft Asm W/Lwr Brg Rh Thd CRD |
| 13 | 532137645 | Shaft Asm. W/Lower Bearing | 84 | 532156085 | Keeper Belt Idler |
| 14 | 532128774 | Housing Mandrel Vented (Machd) | 116 | 532137644 | Bolt Shoulder |
| 15 | 532110485 | Bearing Ball Mandrel | 117 | 532133957 | Wheel Gage Donut Wide |
| 16 | 532170038 | Blade 3-1 Rh 92 CRD | 118 | 873930600 | Nut Centerlock 3/8-16 Unc |
| 17 | 872140610 | Bolt Carriage 3/8-16 x 1-1/4 | 119 | 819121414 | Washer 3/8 x 7/8 x 14 Ga. |
| 18 | 872110608 | Bolt Rdhd Sqnk 3/8-16 x 1 Gr5 | 124 | 872110612 | Bolt Carr Sh 3/8-16 x 1-1/2 Gr5 |
| 19 | 532132827 | Bolt Shoulder 5/16-18 Thd Form | 128 | 532153390 | Washer Felt |
| 20 | 532165484 | Bolt 3/8-24 x 1.25 Gr8 Ptch Lhthd | 130 | 872110506 | Bolt Rdhdsqnk 5/16-18 Unc x 3/4 |
| 21 | 873680500 | Nut Crown Lock 5/16-18 | 131 | 532165661 | Chute Bagger CRD 92cm |
| 22 | 532165243 | Bracket Idler Sprt RR 92 CRD | 151 | 532169670 | Bracket Clutch Cable |
| 23 | 532165446 | Bracket Idler Sprt RF 92 CRD | 152 | 532170300 | Cable Clutch CRD |
| 24 | 532165242 | Bracket Suspension LF 92 CRD | 153 | 532169674 | Washer Flat 3/8" Type B |
| 25 | 532165244 | Bracket Suspension RF 92 CRD | 154 | 532169675 | Spring Retainer |
| 26 | 532165237 | Brace Support Susp Frt CRD | 155 | 532169671 | Spring Retention |
| 27 | 532165568 | Bracket Asm. Susp RR 92 CRD | 156 | 532169672 | Spacer Clutch Cable |
| 28 | 532165567 | Bracket Asm. Susp LR 92 CRD | 157 | 532169669 | Rod Clutch Cable 3/8" |
| 30 | 532157722 | Screw Thd Rolling Washer Head | 158 | 817720410 | Screw Hex Thd Cut 1/4-20 x 5/8 |
| 31 | 532129963 | Washer Spacer Mower Vented | - | 532130794 | Mandrel Asm Service |
| 32 | 532153531 | Mandrel Pulleys 36 & 46 | - | 532165579 | Mandrel Asm CRD Lh Threads SVC |
| 33 | 532137266 | Nut Flg Top Lock Cntr B 9/16 | - | 532173549 | Deck Mower Complete |
| 34 | 532165239 | Bracket Gauge Wheel Lf 92 CRD | | | |
| 35 | 532165238 | Bracket Gauge Wheel Rf 92 CRD | | | |
| 36 | 532146763 | Pulley Idler V-Groove Dim 4.25 | | | |

NOTE: All component dimensions given in U.S. inches
1 inch = 25.4 mm

REPAIR PARTS

TRACTOR- -MODEL NO. CT130 (HECT130D) PRODUCT NO. 954 17 00-17
BAGGER



REPAIR PARTS

TRACTOR- -MODEL NO. CT130 (HECT130D) PRODUCT NO. 954 17 00-17
BAGGER

| KEY NO. | PART NO. | DESCRIPTION |
|---------|-----------|---------------------------------------|
| 1 | 532170690 | Tube Handle Bagger CRD |
| 2 | 872140416 | Bolt Carriage 1/4-20 x 2.0 Gr.5 |
| 3 | 532123976 | Nut Lock 1/4 Lge Flg Gr. 5 Zinc |
| 4 | 532169916 | Handle Bagger w/Lvrs Blk CRD |
| 5 | 874981024 | Screw Pan Head #10-24 x 1.50 Blk |
| 6 | 874981032 | Screw Pan Hd |
| 7 | 873401000 | Nut Wiz Lock Hex Serr/Hd 10-24 |
| 8 | 532167980 | Cover Bagger Plastic CRD MS422 |
| 9 | 872140418 | Bolt Carriage 1/4-20 x 2.25d x Gr.5 |
| 10 | 532169688 | Tube Support Bagger CRD |
| 11 | 532165719 | Bracket Support Upper Bag CRD |
| 12 | 532169685 | Bracket Horiz Adj Bagger Lh CRD |
| 13 | 872110606 | Bolt Rdhd Sht Sqnk 3/8-16 x 3/4 |
| 14 | 874520640 | Bolt Hex 3/8-16 x 2-1/2 Gr.5 |
| 15 | 532124670 | Retainer Spring |
| 16 | 873900600 | Nut Lock Flg 3/8-16 Unc |
| 17 | 872140506 | Bolt Rdhd Sht Sqnk 5/16 -18 Unc x 3/4 |
| 18 | 819111216 | Washer 11/32 x 3/4 x 16 Ga |
| 19 | 873900500 | Nut Lock Hexflange 5/16-18 |
| 20 | 532169684 | Bracket Horiz Adj Bagger Rh CRD |
| 21 | 532165780 | Bag Asm CRD |
| 22 | 532165781 | Bracket Side Bagger CRD |
| 23 | 532165782 | Tube Upper Bagger CRD |
| 24 | 532165783 | Tube Pivot Bagger CRD |
| 25 | 532165784 | Tube Front Bagger CRD |
| 26 | 532165785 | Tube Lower Bagger CRD |
| 27 | 532169692 | Bushing Snap Bagger CRD |
| 28 | 532170696 | Grip Handle Black |
| 31 | 532124788 | Retainer Spring 1" Zinc/Cad |
| 32 | 532126875 | Rivet Rd Hd Drilled 3/8 Dia |
| 33 | 532165571 | Plug Mulcher 92 CRD |
| 34 | 532165570 | Handle Mulcher 92/107 CRD |
| 35 | 532165572 | Pin Mulcher 92/107 CRD |
| 36 | 819132016 | Washer 13/32 x 1-1/4 x 16 Ga. |
| 37 | 532175401 | Plug Support Bagger CRD |
| 38 | 872010520 | Bolt 5/16-18 x 2-1/2 |
| 39 | 532169999 | Seal 26" (Long) |
| 40 | 532170000 | Seal 7" (Short) |
| 41 | 532169683 | Bracket Vert Adj Bagger CRD |
| 42 | 873800500 | Nut Lock Hex W/Ins 5/16-18 Unc PI |

NOTE: All component dimensions given in U.S. inches
1 inch = 25.4 mm