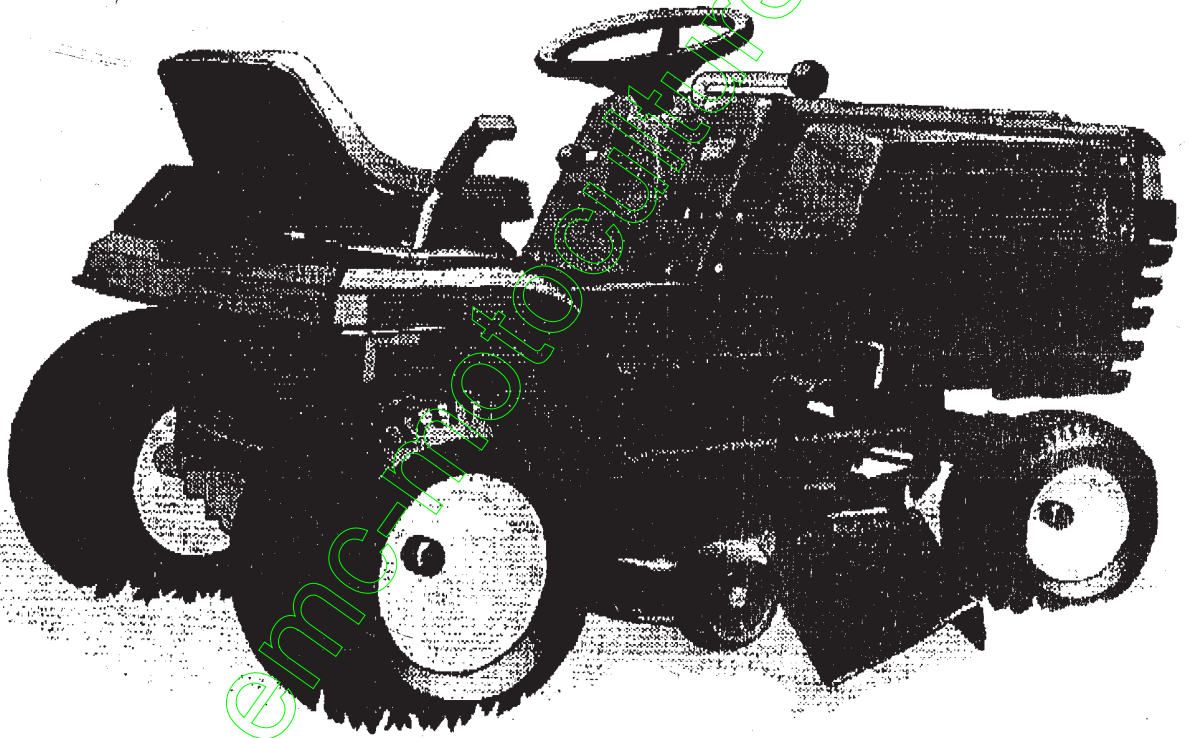


TONDEUSE AUTOPORTEE CAST 14 À 4 ROUES DIRECTRICES MANUEL PIÈCES DE RECHANGE

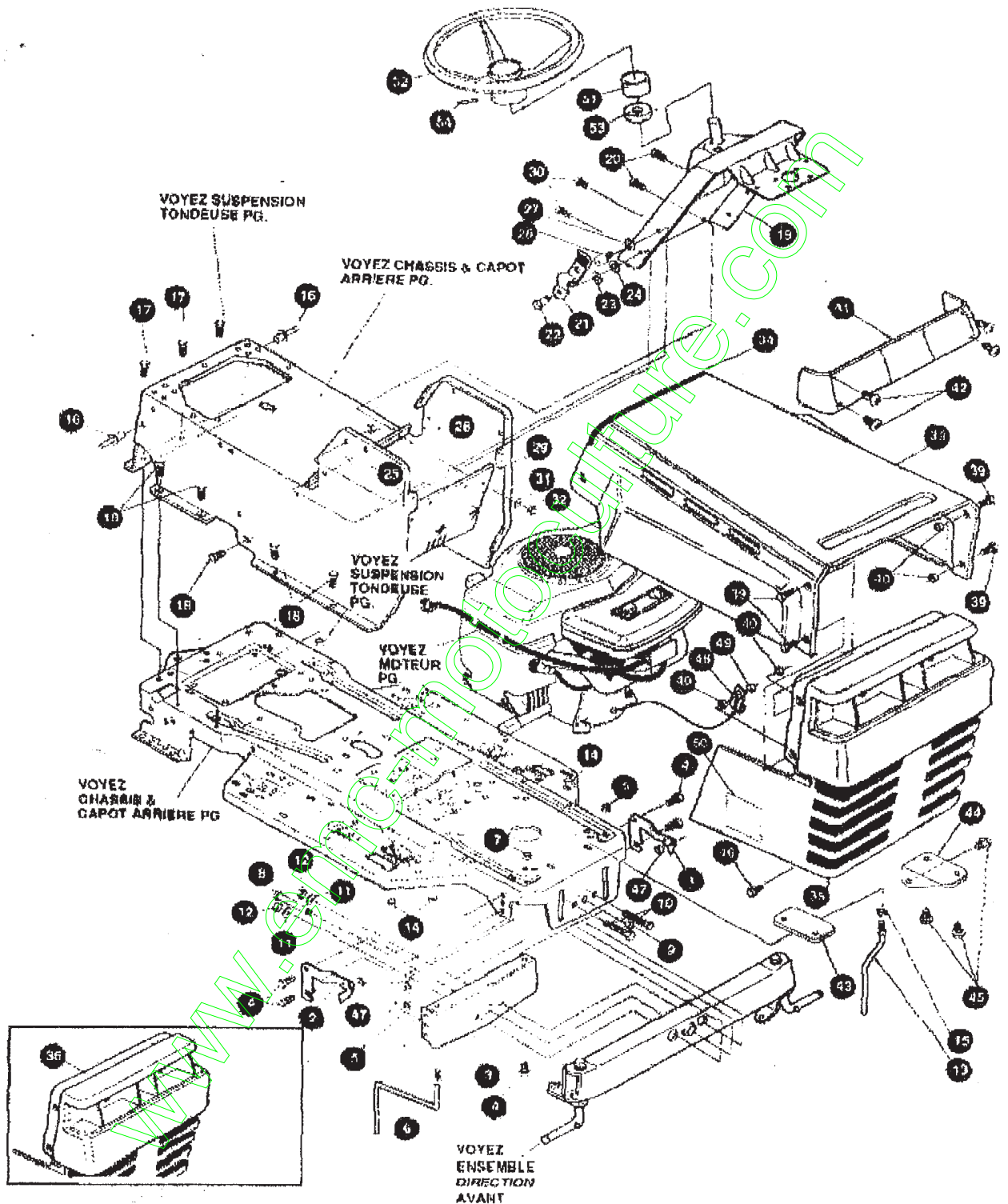


328641B

MODÈLE D 560-270

TRACTEUR TONDEUSE 40" MODELE D3560-270

ENSEMBLE CHASSIS & CAPOT AVANT



UTILISEZ DES PIÈCES D'ORIGINE POUR CONSERVER L'APPLICATION DE LA GARANTIE.

TOUTES LES PIÈCES NON RÉFÉRÉES SONT INTERCHANGEABLES AVEC LEURS OPPOSÉS.

32A205B

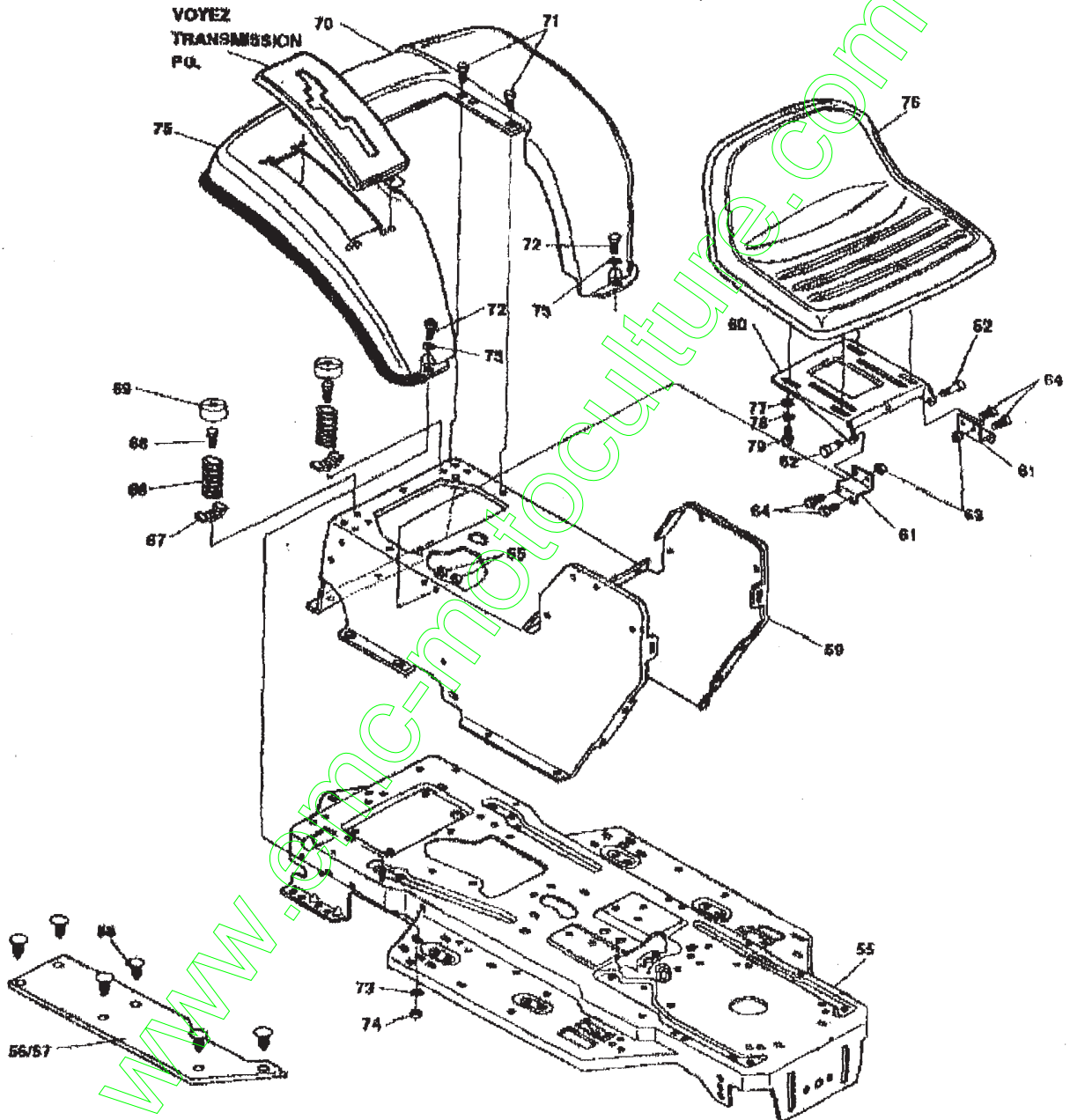
TRACTEUR TONDEUSE 40" MODELE D3560-270

KEY#	PART#	DESCRIPTION	QTY.
1	58088-853	BRKT GRILLE, L.H.	1
2	58088-853	BRKT GRILLE R.H.	1
3	313541-853	BRACKET, FRONT AXLE	1
4	56030	SCREW, 5/16-18X.75WDFLLK	1
5	55273	NUT, 5/16-18 HXWDFLLK	5
6	300440	GUIDE, BELT, RIDER	5
7	1498	NUT, 5/16-18 REGHEXCTRK	1
8	308207	BOLT, .825X2.180 HNSH 1/2-13NC	1
9	309008	NUT, 1/2-13 REGHCTRK	1
10	122207	SCREW, 3/8-16X3.00 HHC	1
11	2483	WASHER, .391DX1.25DX.07 BELLVIL	2
12	1499	NUT, 3/8-16 REGHXCTRK	2
13	300635	GUIDE, BELT SHORT 15" WHEEL	2
14	124824	NUT, 5/16-18 HEXJAM	1
15	271180	NUT, 3/8-16 HEXKEPS	1
16	46763	RIVET, POP, .187DIA X .450LG ST	1
17	35487	SCREW, 5/16-18X .50 WAHHTAP	3
18	995346	SCREW, 1/4-20X .50 WAHHTAP	2
19	309447-853	DASH	10
20	995346	SCREW, 1/4-20X .50 WAHHTAP	1
21	57158	LATCH, .94WDX.047 ASSY HOOD	2
22	8482	BOLT, .375X 1.56 HNSH 5/16-18	2
23	120394	WASHER, FLAT .406X .81X .065	2
24	120393	WASHER, FLAT .344X .69X .065	2
25	1498	NUT, 5/16-18 REGHEXCTRK	2
26	53448	PIN, 5/16-18 HOOD LATCH	2
27	138538	WASHER, REGINTLK .320X .61X .03	2
28	45174	NUT, 5/16-18 HEXWDFLLK WHIZ	2
29	312306	BAFFLE CONSOLE	2
30	300314	SCREW, 1/4-20X .88 WAHHTAP	1
31	120392	WASHER, FLAT .281X .63X .065	2
32	1502	NUT, 1/4-20 REGHEXCTRK	2
33	52661-896	HOOD	2
34	47453	EDGING, WIDE	1
35	303055	ASSY GRILLE G-12	27.5
36	302854	GRILLE	1
39	53225	SCREW, 1/4-20X 1.25 WAHHC	1
40	50352	NUT, 1/4-20 WDFLLK TOPLOCK	4
41	302073	LENS, CLEAR W/O TABS NO LOGO	4
42	57796	SCREW, #8 X .50 PLASTITE	1
43	301884-853	SUPPORT, GRILLE RH	4
44	301885-853	SUPPORT, GRILLE LH	1
45	56021	SCREW, 1/4-14X .75 BLWATAP	1
46	38149	BOLT, .375X .500 HNSH 5/16-18	6
47	1498	NUT, 5/16-18 REGHEXCTRK	2
48	310748	LANYARD, HOOD	1
49	50352	NUT, 1/4-20 WDFLLK TOPLOCK	1
50	301452	FOIL, HEAT REFLECTOR	1
51	311465	COVER STEERING SHAFT	2
52	309393	STEERING WHEEL	1
53	301413	SPACER FOAM	1
54	456378	ROLL PIN	1
55	328641	PARTS MANUAL	1
56	327627	GRASS CATCHER MANUAL (ENG/FR/GER)	1
57	328588	AIR ASSIST MANUAL (ENGLISH)	1
58	328360	AIR ASSIST MANUAL (FRENCH)	1
59	327312	AIR ASSIST MANUAL (GERMAN)	1
60	328712	OPERATOR'S MANUAL	1

www.e-tic.com

TRACTEUR TONDEUSE 40" MODELE D3560-270

ENSEMBLE CHASSIS & CAPOT ARRIERE



UTILISEZ DES PIÈCES D'ORIGINE POUR CONSERVER L'APPLICATION DE LA GARANTIE.

TOUTES LES PIÈCES NON RÉFÉREES SONT INTERCHANGEABLES AVEC LEURS OPPOSÉS.

325830B

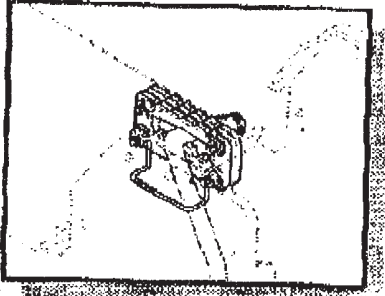
TRACTEUR TONDEUSE 40" MODELE D3560-270

KEY#	PART#	DESCRIPTION	QTY.
55	326677-854	FRAME, LF MAIN 930/4980	1
56	314799	FOOTPAD, LH PEDAL LIFT	1
57	310008	FOOTPAD, RH	1
58	309235	FASTENER, RATCHET	12
59	315120-854	CONSOLE, SOF, P-LIFT	1
60	58367-854	PLATE, SEAT	1
61	310660-854	BRACKET, F-5 SEAT SUPPORT	1
62	20507	BOLT, 437 X .156 HHSH 5/16-18	2
63	1498	NUT, 5/16-18 REGHEXCTRLK	2
64	48901	SCREW, 5/16-18 X .83 HHC	4
65	1498	NUT, 5/16-18 REGHEXCTRLK	4
66	57153	SPRING, SEAT 2.68 LG, 1.49 OD	2
67	1341	CLAMP, SPRING 1.17" ID	2
68	44811	SCREW, 1/4-20 X .75 HXWATAP	2
69	56907	COVER, SEAT SPRING 1.5 ID X 1.0 LG	2
70	308854-896	FENDER, F-5, GS, SOF, P-LIFT	1
71	995346	SCREW, 1/4-20 X .50 WAHTAP	4
72	122017	SCREW, 5/16-18 X 1.00 HHC	2
73	446383	WASHER, FLAT .375 X .68 X .002	4
74	1498	NUT, 5/16-18 REGHEXCTRLK	2
75	56023	TRIM, STRIP, BLACK	77.5IN
76	307661	SEAT GENERIC	1
77	120393	WASHER, FLAT .375 X .68 X .065	4
78	120638	WASHER, HVSTRLK	4
79	122007	SCREW, 5/16-18 X .78 HHC	4

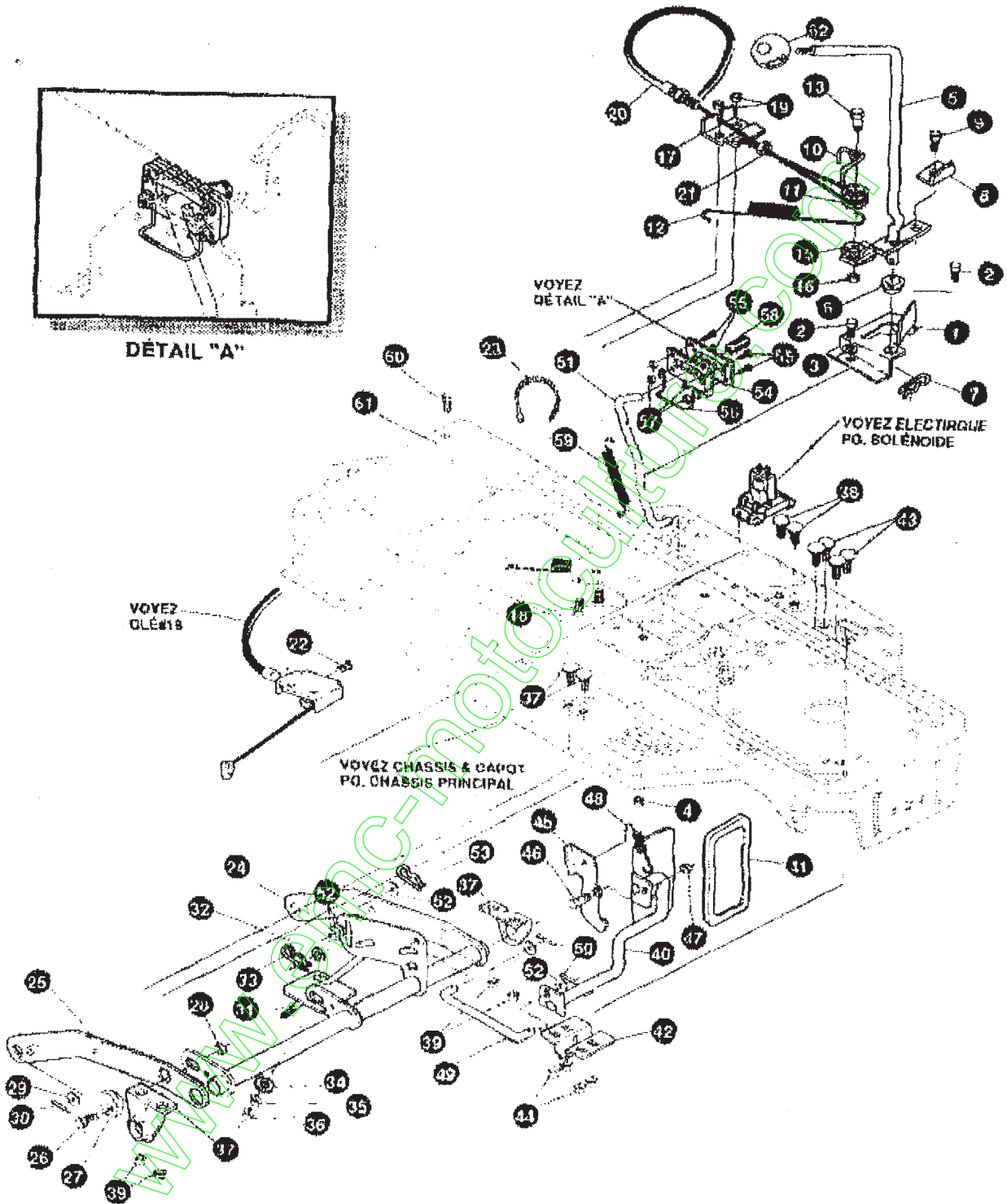
www.emc-motocult.com

TRACTEUR TONDEUSE 40" MODELE D3560-270

ENSEMBLE SUSPENSION TONDEUSE



DÉTAIL "A"



VOYEZ DÉTAIL "A"

VOYEZ ELECTRIQUE PG. SOLENOIDE

VOYEZ CLÉ#18

VOYEZ CHASSIS & CAPOT PG. CHASSIS PRINCIPAL

UTILISEZ DES PIECES D'ORIGINE POUR CONSERVER L'APPLICATION DE LA GARANTIE.

TOUTES LES PIECES NON REFEREES SONT INTERCHANGEABLES AVEC LEURS OPPOSEES.

3258110

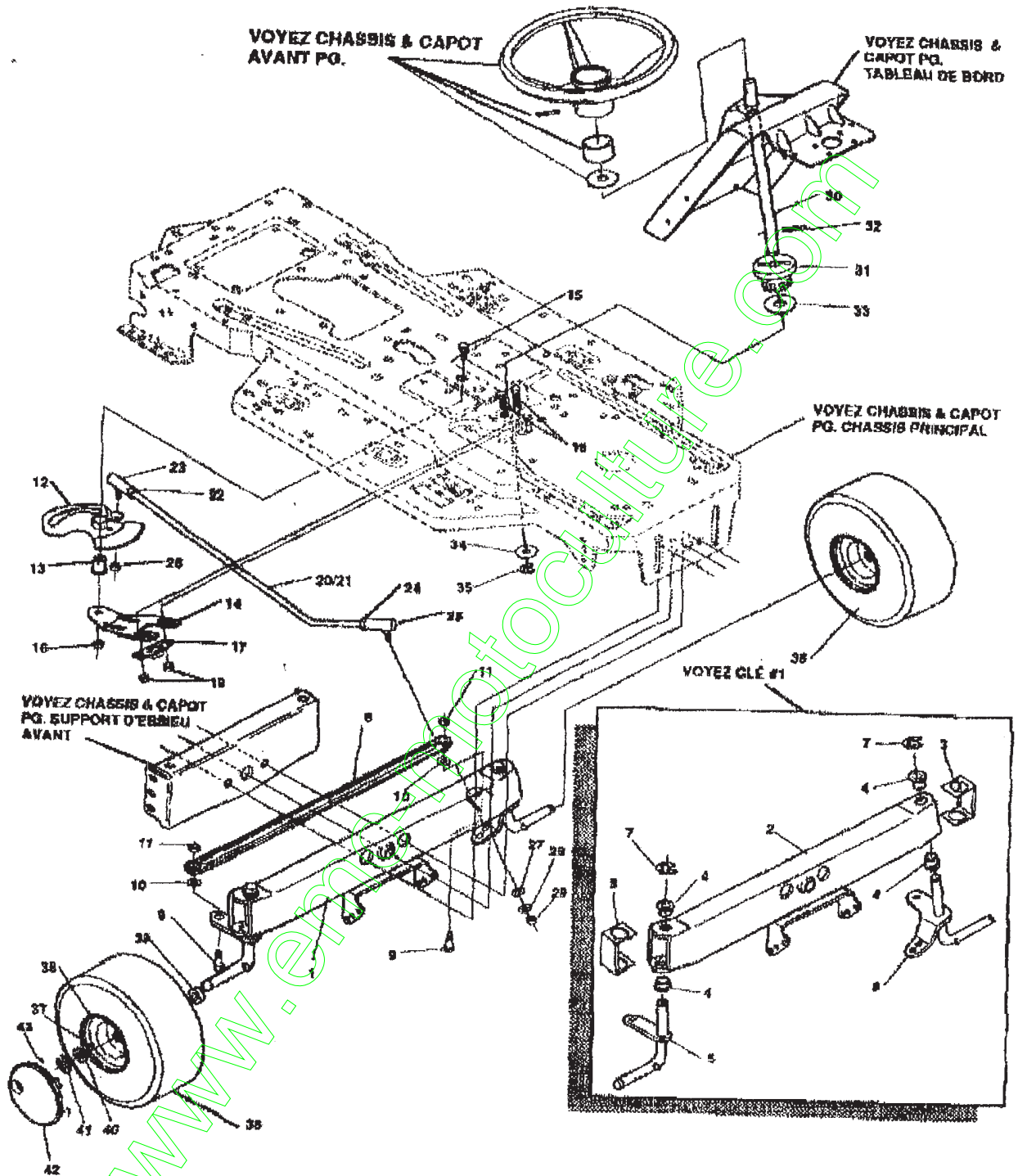
TRACTEUR TONDEUSE 40" MODELE D3560-270

KEY#	PART#	DESCRIPTION	QTY.
1	320075-853	BRACKET,CLUT-ENGAGELEVERBLK	1
2	180079	SCREW, 5/16-18X1.00 HHC	2
3	120893	WASHER FLAT .344X .69X .065	2
4	1498	NUT 5/16-18 REGHEXCTRLK	2
5	304791	ASSY.CLUTCH LEVER, SHORT	1
6	50148	BEARING,FL. 5031DX.6280D	1
7	8260	PN, HAIR .081 DIA X 1.86LG	1
8	318341	BRACKET,SWITCH ENGAGE	1
9	35498	SCREW, 5/16-18X .75 WAHNTAP	1
10	324032	CABLE KEEPER	1
11	48306	PULLEY, POWDER METAL	1
12	316648	SPRING 12.88 LONG	1
13	324045	BOLT, .375X .565 HHSH 1/4-20	1
15	52456	BRACKET RETAINER	1
16	1502	NUT, 1/4-20 REGHEXCTRLK	1
17	300898-853	BRKT. FRAME CABLE	1
18	180020	SCREW, 1/4-20X .75 HHC	2
19	1602	NUT, 1/4-20 REGHEXCTRLK	2
20	324086	ASSY.CABLE BLADE ENGAGE	1
21	120613	NUT, 1/4-28 HJAM	1
22	35498	SCREW, 5/16-18X .75 WAHNTAP	1
23	57444	TIE, CABLE BLACK	1
24	322836-853	LIFT ASSY.LH P-LIFT J	1
25	300188-853	ASSY.LINK RIGHT SIDE	1
26	180079	SCREW, 5/16-18X1.00 HHC	1
27	58247	ADJUSTING NUT	1
28	1498	NUT, 5/16-18 REGHEXCTRLK	1
29	417088	WASHER, FLAT .531X1.06X .095	2
30	8260	PIN, HAIR .091 DIA X 1.66LG	2
31	322821	ROD, ADJUSTING J P-LIFT	1
32	120394	WASHER, FLAT .406 X .81 X .065	2
33	36368	PIN HAIR .072 DIA X 1.13LG	1
34	996416	WASHER, FLAT .301 X 1.00 X .125	1
35	120377	NUT, 3/8-16 REG HX	1
36	322467	NUT, 3/8-16 REG HX NK LOC	1
37	58248-853	BRKT REAR HANG SUSP	2
38	126211	BOLT, 5/16-18X .63 CARR	4
39	1498	NUT, 5/16-18 REGHEXCTRLK	4
40	314952-853	PEDAL ASSY, DECK HEIGHT BLK	1
41	314488	PAD, LIFT PEDAL	1
42	323751	BRACKET, LIFT ARM	1
43	126211	BOLT, 5/16-18X .63 CARR	4
44	44100	NUT 5/16-18 HWDFLOTRLK	4
45	315342	LATCH PEDAL LIFT	1
46	314829	BOLT, .56 X .73 HHSH 3/8-16	1
47	1499	NUT, 3/8-16 REGHEXCTRLK	1
48	314489	SPRING LIFT LATCH	1
49	314792	ROD, PIVOT	1
50	121222	PIN, COTTER .090-.096X .75	2
51	321386	ROD, MEMORY	1
52	274517	WASHER FLAT .406X .73X .065	4
53	36368	PIN,HAIR .072DIA X 1.13LG	1
54	315341	BRACKET, MEMORY	2
55	44811	SCREW, 1/4-20X .75 HXWATAP	4
56	324038	GUIDE, MEMORY ROD	1
57	1502	NUT, 1/4-20 REGHEXCTRLK	4
58	314959	CAP, MEMORY ROD .300D X .75	1
59	314837	SPRING MEMORY	1
60	180077	SCREW, 5/16-18 X .75 HHC	1
61	1498	NUT 5/16-18 REGHEXCTRLK	1
62	55513	KNOB, ROUND 1.50 DIA BLACK	1

www.agriculture.com

TRACTEUR TONDEUSE 40" MODELE D3560-270

ENSEMBLE DIRECTION AVANT



UTILISEZ DES PIECES D'ORIGINE POUR CONSERVER L'APPLICATION DE LA GARANTIE.

TOUTES LES PIECES NON REFEREES SONT INTERCHANGEABLES AVEC LEURS OPPOSEES.

320208A

TRACTEUR TONDEUSE 40" MODELE D3560-270

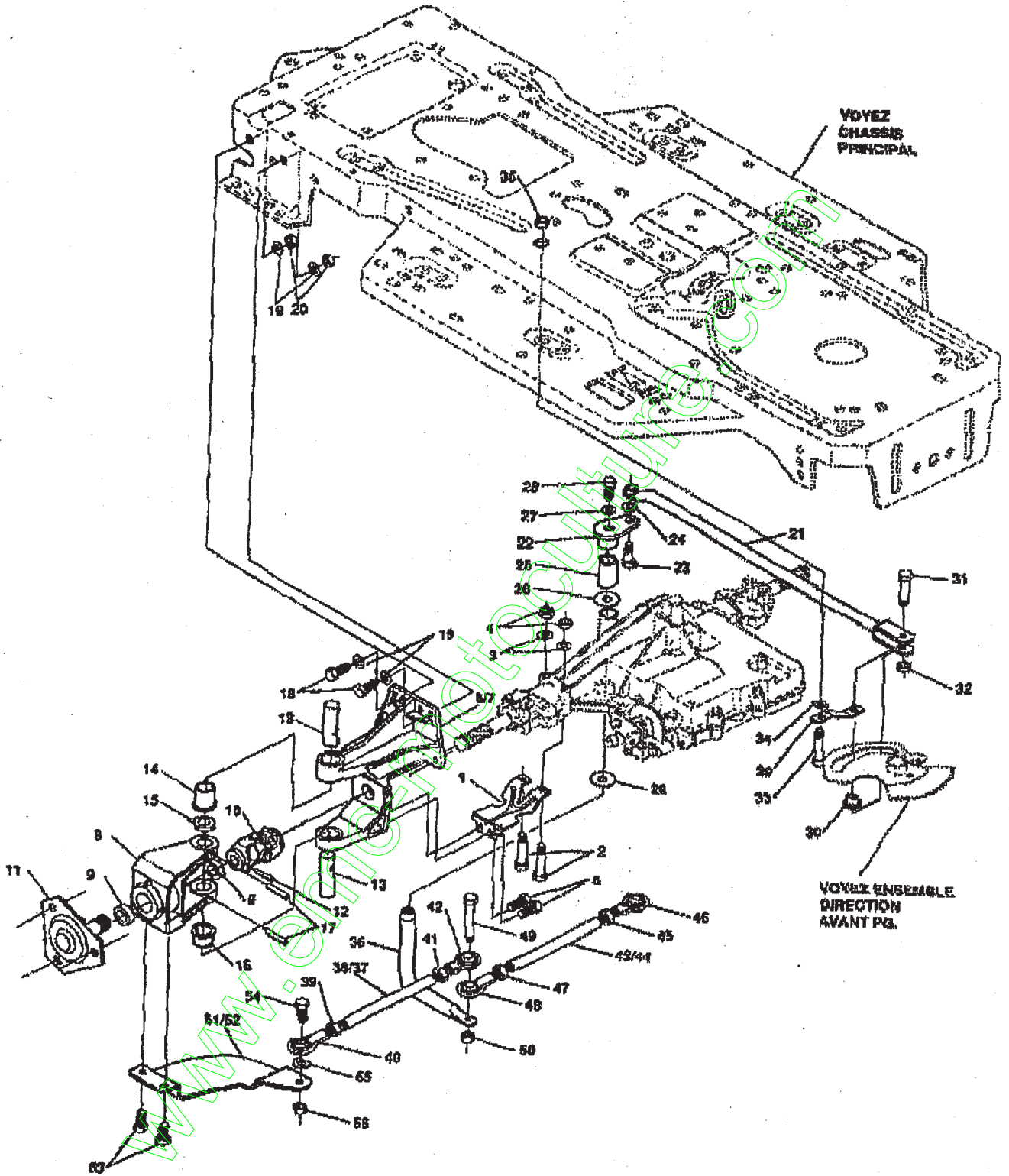
KEY#	PART#	DESCRIPTION	QTY.
1	A	AXLE, FRONT ASSEMBLY SUS 4WS LF	1
2	300272-854	ASSEMBLY, FRONT AXLE SUS	1
3	53373-854	AXLE COVER	2
4	52407	SPINDLE BEARING	4
5	302926	ASSEMBLY, SPINDLE RH LONG	1
6	315886	ASSEMBLY, SPINDLE, LH LONG	1
7	36825	RING, RETEX .57 X .05 TRU 5133-75	2
8	304590	TIE ROD ASSEMBLY 19.81LG W-SECTION	1
9	180128	SCREW, 3/8-16 X 1.75 HHC	2
10	120382	WASHER, REGSPTLK .393 X .60 X .10	2
11	120377	NUT, 3/8-24 REGHEX	2
12	313634	ASSEMBLY SECTOR GEAR 4WS LF	1
13	313629	BUSHING, SECTOR GEAR 4WS LF	1
14	313671-853	SUPPORT, SECTOR GEAR 4WS LF	1
15	315196	SCREW, 1/2-20 X 3.00 HHC	1
16	274654	NUT, 1/2-20 REGHXOTRLK	1
17	302498	BEARING FLANGE 0.5 BORE	1
18	323731	SCREW, 5/16-24 X .75SQ. CONE GEMS	2
19	71100	NUT, 8/16-24 HXWDFLLK	2
20	323752	ASSEMBLY, DRAGLINK 4WS LF	1
21	321448	DRAG LINK .625 DIA LF 4WS	1
22	124925	NUT, 3/8-24 REGHEXJAM	1
23	57158	BALL JOINT, 3/8 THD SHORT 6TUD	1
24	272123	NUT, 7/16-20 HXJAM	1
25	302865	JOINT, BALL ASSEMBLY 7/16-20	1
26	46692	NUT, 3/8-24 WDFLHLK WHIZ	1
27	120396	WASHER, FLAT .531 X 1.06 X .095	2
28	120383	WASHER, REGSPTLK .459 X .78 X .12	1
29	271506	NUT, 7/16-20 REGHX	1
30	313699	SHAFT, STEERING 4WS LF	1
31	302314	PINION STEERING	1
32	302524	PIN DOWEL STR ERC I LT	1
33	315194	WASHER, FLAT 1.38 X .51 X .043	1
34	2968	WASHER, FLAT 504 X .75 X .050	1
35	20864	RING, RET E .39 X .04 TRU 5133-50	1
36	313952	TIRE & RIM, PU 15 X 8.0 X 6 GENERIC	2
37	24167	VALVE STEM	1
38	321503	WHEEL W/BEARING, W/ZIRK	1
39	314416	BEARING	1
40	642	WASHER, FLAT .755 X 1.31 X .075	4
41	36825	RING, RETEX .57 X .05TRU 5133-75	2
42	304444-854	HUBCAP EURO 6"	2
43	306669	CLIP, HUBCAP	10

* ORDER INDIVIDUAL PARTS

www.eric-m.com

TRACTEUR TONDEUSE 40" MODELE D3560-270

ENSEMBLE DIRECTION ARRIERE



VOYEZ CHASSIS PRINCIPAL

VOYEZ ENSEMBLE DIRECTION AVANT PA.

UTILISEZ DES PIECES D'ORIGINE POUR CONSERVER L'APPLICATION DE LA GARANTIE.

TOUTES LES PIECES NON REFEREES SONT INTERCHANGEABLES AVEC LEURS OPPOSEES.

315291J

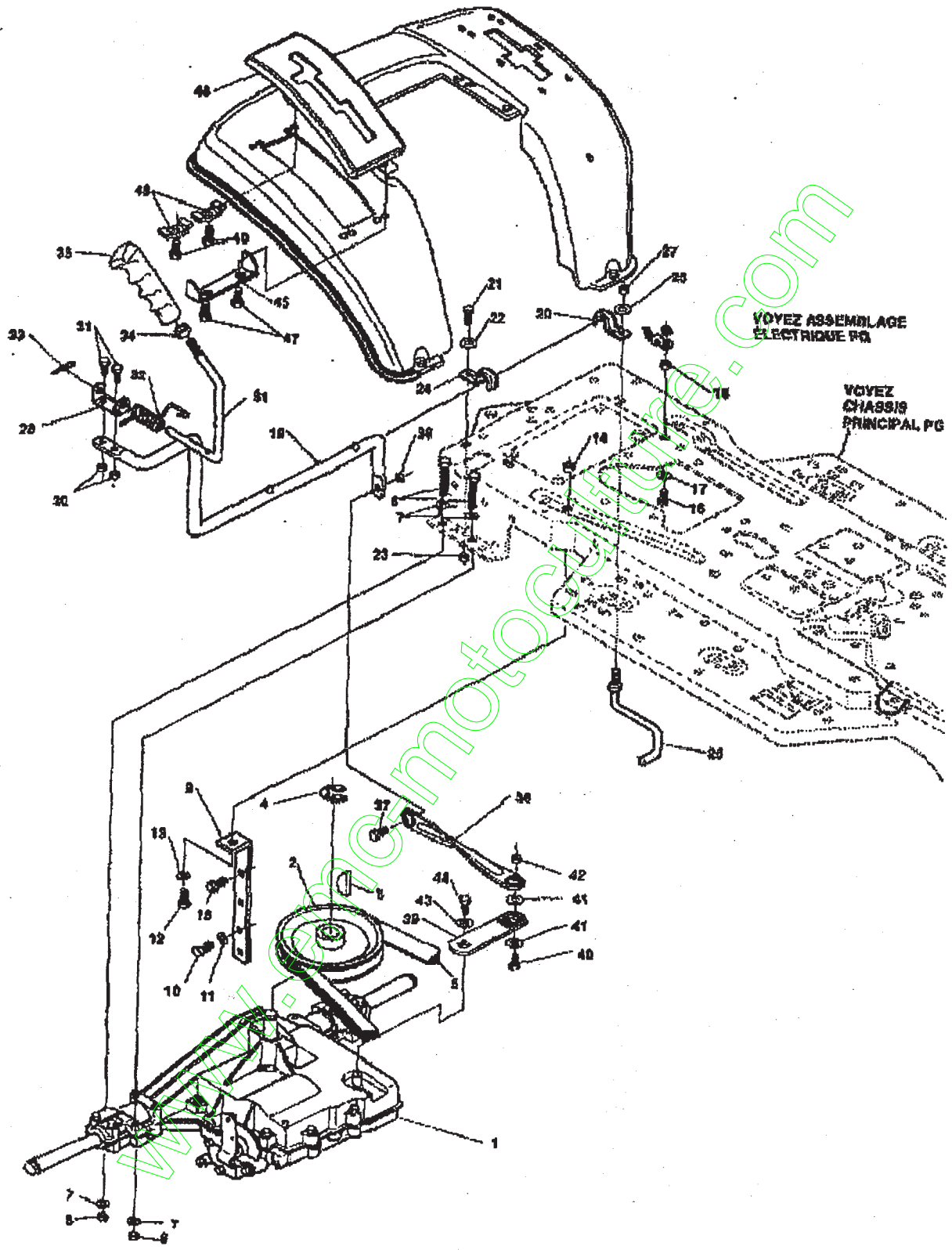
TRACTEUR TONDEUSE 40" MODELE D3560-270

KEY#	PART#	DESCRIPTION	QTY.
1	303222-853	BRACKET, X-AXLE MTG	2
2	180091	SCREW, 5/16-18 X 2.50 HHC	4
3	120393	WASHER, FLAT .344 X .89 X .065	4
4	1498	NUT, 5/16-18 REGHEXCTRLK	4
5	35498	SCREW, 5/16-18 X .75 WAHHTAP	4
6	323766	U-JOINT ASSEMBLY, 4WS LD LF	2
7	314267	BRACKET, STEERING PIVOT W/DRILL HOLES	2
8	12465	BRACKET, STEERING PIVOT	2
9	12325	BEARING	4
10	12290	U-JOINT ASSEMBLY	2
11	12280-830	HUB ASSEMBLY, GREY 861	2
12	36311	PIN, GROOVED .250 DIA X 1.50 LG	2
13	12289	PIN, STEERING HINGE	4
14	324578	BUSHING, SHOULDERED (OILITE	2
15	21882	WASHER, FLAT .786 X 1.25 X .042 PL	2
16	324578	BUSHING, SHOULDERED (OILITE	2
17	456722	PIN, SPRING .250 DIA X 1.50 LG HVPL	4
18	122017	SCREW, 5/16-18 X 1.00 HHC	8
19	120393	WASHER, FLAT .344 X .89 X .065	16
20	1498	NUT, 5/16-18 REGHEXCTRLK	8
21	324514	ROD ASSEMBLY, DRAGLINK	1
22	308719	PIVOT, STEERING	1
23	12318	BOLT, .562 X .340 HNSH 3/8-84	1
24	120394	WASHER, FLAT .408 X .81 X .065	1
25	304115	SPACER, STEERING SHAFT	1
26	25177	WASHER, FLAT .765 X 1.19 X .048	2
27	45802	WASHER, FLAT .308 X .87 X .119	1
28	421051	SCREW, 5/16-24 X 1.00 HHC	1
29	302504	ARM ROLLER SWING 4 W	1
30	304116	CAM YOKE ROLLER	1
31	304122	SHOULDER BOLT, CAM ROLLER	1
32	274654	NUT, 1/2-20 REGHXCTRLK	1
33	324638	SHOULD BOLT, CAM FOLLOWER	1
34	986307	WASHER, FLAT .391 X 1.00 X .209	1
35	412349	NUT, 3/8-24 HXCTRLK	1
36	308720	SHAFT, STEERING PIVOT	1
37	323634	TIE ROD ASSEMBLY, RH	1
38	308447	ROD, TIE 1/2" D X 8.00 LG	1
39	308399	NUT, 3/8-24 LH THD REGHJAM	1
40	308384	ROD, TIE END LH 3/8-24 EURO	1
41	124925	NUT, 3/8-24 REGHEXJAM	1
42	304260	ROD, TIE END RH	1
43	323635	TIE ROD ASSEMBLY, LH	1
44	308446	ROD, TIE 1/2" D X 9.5 LG	1
45	308399	NUT, 3/8-24 LH THD REGHJAM	1
46	308384	ROD, TIE END LH 3/8-24 EURO	1
47	124925	NUT, 3/8-24 REGHEXJAM	1
48	304260	ROD, TIE END RH	1
49	181646	SCREW, 3/8-24 X 1.75 HHC	1
50	312349	NUT, 3/8-24 HXCTRLK	1
51	304120-853	ARM RW STEER ERO, RH	1
52	304121-853	ARM RW STEER ERO, LH	1
53	38728	SCREW, 3/8-18 X .75 WAHHTAP BK	4
54	181639	SCREW, 3/8-24 X 1.25 HHC	2
55	120382	WASHER, REGSPTLK .392 X .68 X .10	2
56	412349	NUT, 3/8-24 HXCTRLK	2

www.mtrc-n.com

TRACTEUR TONDEUSE 40" MODELE D3560-270

TRANSMISSION



VOYEZ ASSEMBLAGE ELECTRIQUE PG

VOYEZ CHASSIS PRINCIPAL PG

UTILISEZ DES PIECES D'ORIGINE POUR CONSERVER L'APPLICATION DE LA GARANTIE.

TOUTES LES PIECES NON REFEREES SONT INTERCHANGEABLES AVEC LEURS OPPOSEES.

328318A

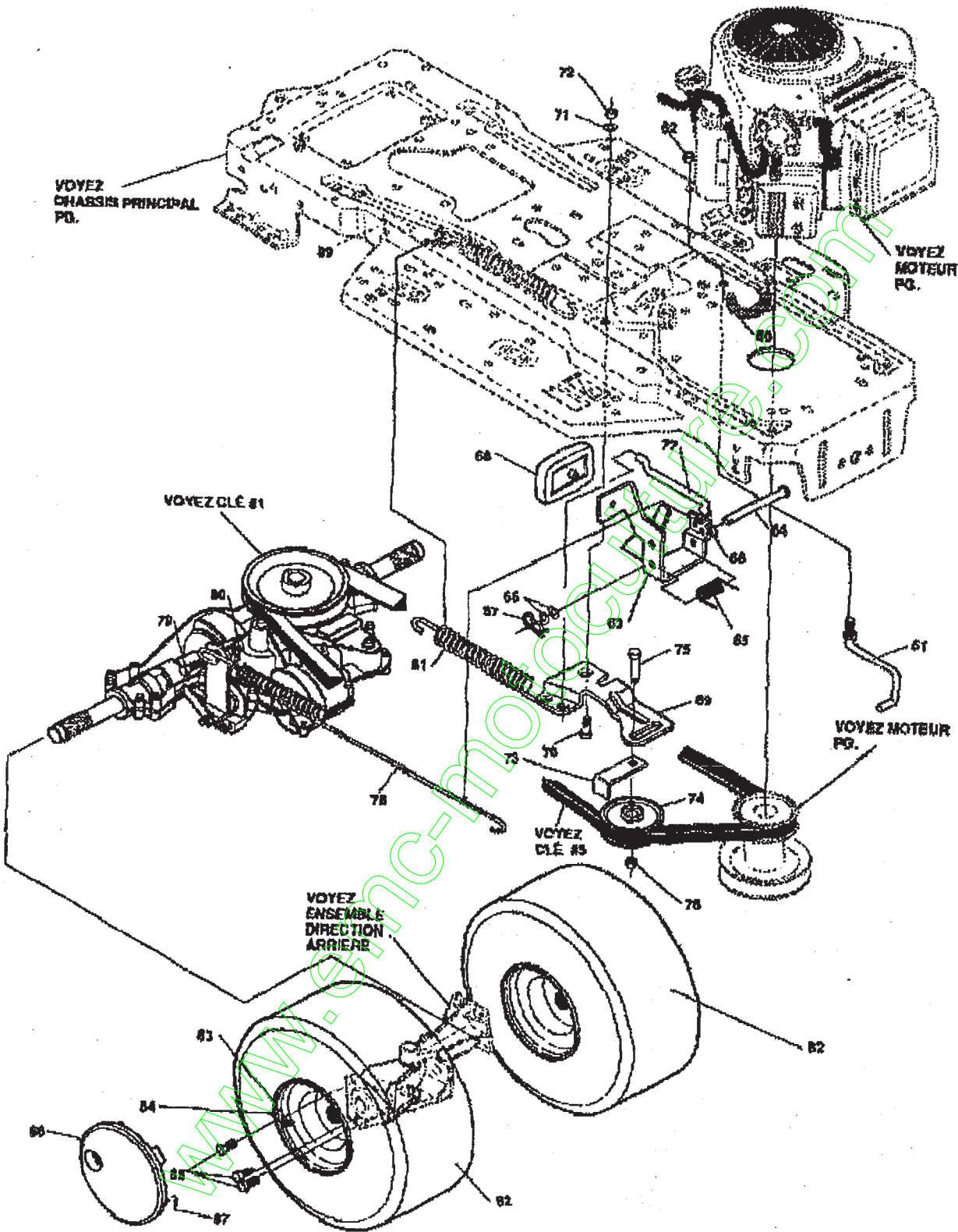
TRACTEUR TONDEUSE 40" MODELE D3560-270

KEY#	PART#	DESCRIPTION	QTY.
1	A	TRANSAXLE F4360-6 6SP	1
2	303109	PULLEY, V4L 920TA	1
3	3021	KEY, WDRF 606 .750 X .187 X .312	1
4	22063	RING, RETEX .58 X .04 THU 6100-62	1
5	314120	BELT, V 4L 87.25	1
6	180091	SCREW, 5/16-18 X 2.50 HHC	4
7	120393	WASHER, FLAT .344 X .69 X .085	8
8	1498	NUT, 5/16 X 18 REGHEXCTRLK	4
9	323471	STABILIZER BRACKET P920,F4150	1
10	35496	SCREW, 5/16-18 X .75 WAHHTAP	2
11	120638	WASHER, HVSPTLK .328 X .60 X .09	2
12	122017	SCREW, 5/16-18 X 1.00 HHC	1
13	120393	WASHER, FLAT .344 X .69 X .085	1
14	1498	NUT, 5/16-18 REGHEXCTRLK	1
15	50947	SCREW, 3/8-16 X 1.25 WAHHTAP	1
16	122007	SCREW, 5/16-18 X .75 HHC	1
17	130538	WASHER, REGINTLK .320 X .61 X .08	1
18	1498	NUT, 5/16-18 REGHEXCTRLK	1
19	319111	LEVER, SHIFT, LOWER 4360	1
20	310347-853	CLIP-SHIFT LEVER .62 ROD	1
21	180077	SCREW, 5/16-18 X .75 HHC	1
22	996416	WASHER, FLAT .391 X 1.00 X .125	1
23	1498	NUT, 5/16-18 REGHEXCTRLK	1
24	310347-853	CLIP-SHIFT LEVER .62 ROD	1
25	57259	GUIDE, BELT 5/16-18THD	1
26	996416	WASHER, FLAT .391 X 1.00 X .125	1
27	1498	NUT 5/16-18 REGHEXCTRLK	1
28	310356	PIVOT BRACKET LEVER	1
29	180018	SCREW, 1/4-20 X .62 HHC	2
30	1502	NUT, 1/4-20 REGHEXCTRLK	2
31	309635	LEVER, SHIFT UPPER SF 1/2-13TH	1
32	310265	SPRING, TORSION .56 X .95 X .095	1
33	137185	PIN, COTTER .125 DIA X 1.00 LG	1
34	120238	NUT, 1/2-13 HEXJAM	1
35	306890	HANDLE, 1/2-13	1
36	314971	LINK/TIE ROD SHIFTER	1
37	180124	SCREW, 3/8-16 X 1.25 HHC	1
38	1499	NUT, 3/8-16 REGHXCTRLK	1
39	309637	BRACKET, SHIFT 6SP	1
40	180124	SCREW, 3/8-16 X 1.25 HHC	1
41	120304	WASHER, FLAT .405 X .81 X .085	2
42	1499	NUT, 3/8-16 REGHXCTRLK	1
43	57157	WASHER, .750 X .260 SP-TRANSAXLE	1
44	58255	SCREW, 1/4-28 X .75 NYLHHC	1
45	311257-853	BRACKET COVER	1
46	311209	COVER PLASTIC	1
47	311361	SCREW, 1/4-15 X .44/.53 HILOHHWA	2
48	1341	CLAMP SPRING	2
49	311331	SCREW, 1/4-15 X .44/.53 HILOHHWA	2

CONTACT YOUR NEAREST TRANSAXLE DEALER FOR PARTS AND SERVICE.

TRACTEUR TONDEUSE 40" MODELE D3560-270

TRANSMISSION



UTILISEZ DES PIECES D'ORIGINE POUR CONSERVER L'APPLICATION DE LA GARANTIE.

TOUTES LES PIECES NON REFREES SONT INTERCHANGEABLES AVEC LEURS OPPOSES.

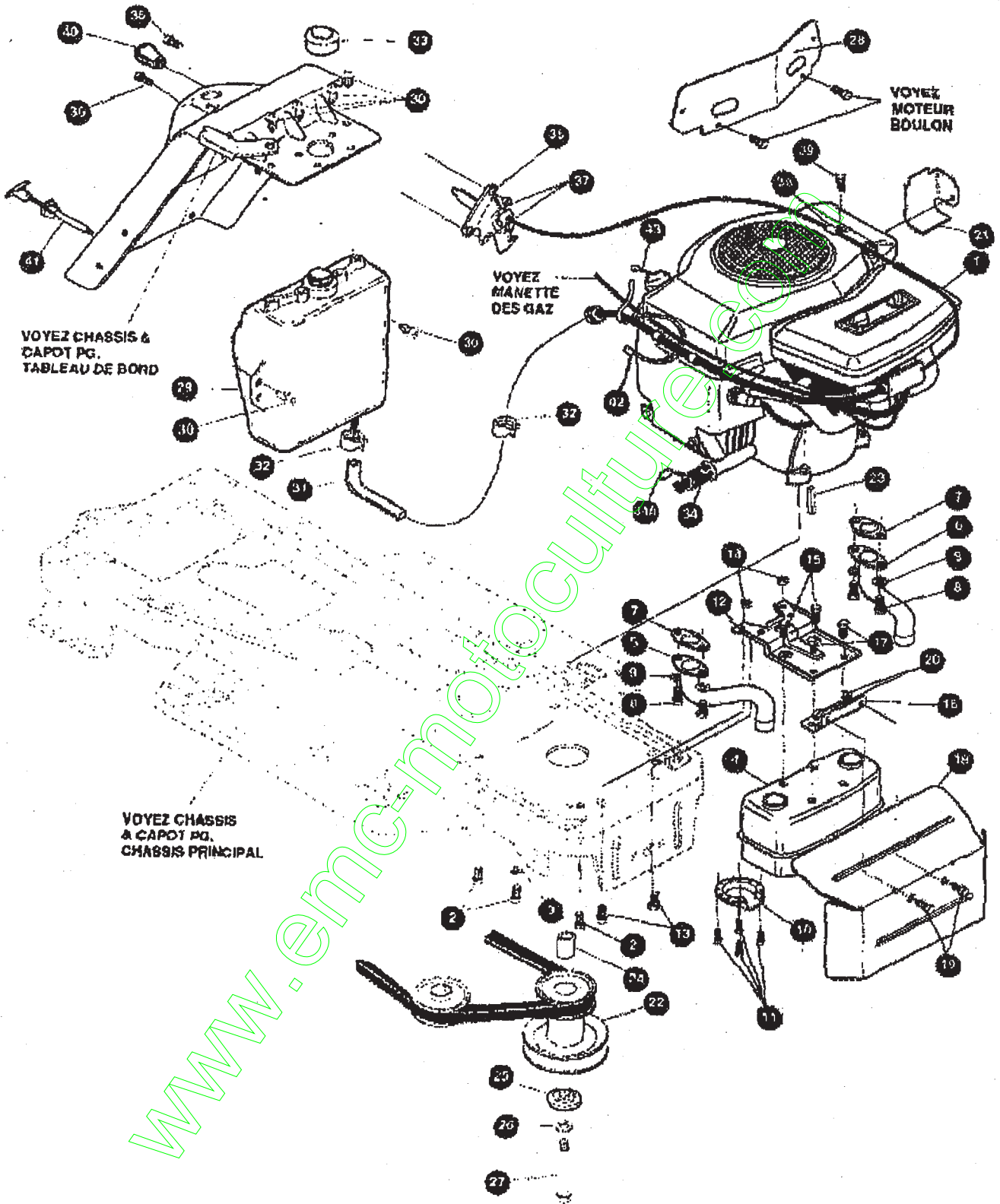
328219A

TRACTEUR TONDEUSE 40" MODELE D3560-270

KEY#	PART#	DESCRIPTION	QTY.
60	321514	SPRING BIAS DRAGLINK	1
61	304016	BELT GUIDE	1
62	1498	NUT, 5/16-18 REGHEXCTRLK	1
63	325942	PEDAL ASSEMBLY, BRAKE/CLUTCH	1
64	319675	PIN, CLEVIS	1
65	57847	SPRING, BRAKE PEDAL	1
66	2968	WASHER, FLAT .504 X .75 X .059	3
67	66180	PIN HAIR	1
68	48160	PAD, CLUTCH BRAKE	1
69	320381-653	ARM, IDLER TRACTION DR.	1
70	800793	BOLT, .625 X .135 HSSH 5/16-18	1
71	48602	WASHER, FLAT .333 X .87 X .119	1
72	1498	NUT, 5/16-18 REGHEXCTRLK	1
73	39589	RETAINER, STRAP BELT	1
74	35374	PULLEY, IDLER V4L 3.06 X .62	1
75	45892	BOLT, 3/8-16 X 1.50 CARRIAGE	1
76	1498	NUT, 3/8-16 REGHEXCTRLK	1
77	57204	ROD, CLUTCH	1
78	325937	SPRING, BRAKE	1
79	326131	BOLT, .496 X .131 HSSH 5/16-18	1
80	1498	NUT, 5/16-18 REGHEXCTRLK	1
81	313860	SPRING, CLUTCH .113 X .750 X 8.75	1
82	313654	TIRE & RIM, PU 20-10 X 8 GENERIC	2
83	24167	VALVE STEM	1
84	316667	RIM, WHEEL 20X8	1
85	123418	SCREW, 1/2 20X .50 HHC	6
88	304441-630	HUB CAPS 8" GENERIC	2
87	306669	CLIPS	10
88	313039	DECAL, AWS PATENT 6048853	1

TRACTEUR TONDEUSE 40" MODELE D3560-270

MOTEUR ENSEMBLE



UTILISEZ DES PIÈCES D'ORIGINE POUR CONSERVER L'APPLICATION DE LA GARANTIE.

TOUTES LES PIÈCES NON RÉFÉRÉES SONT INTERCHANGEABLES AVEC LEURS OPPOSÉS.

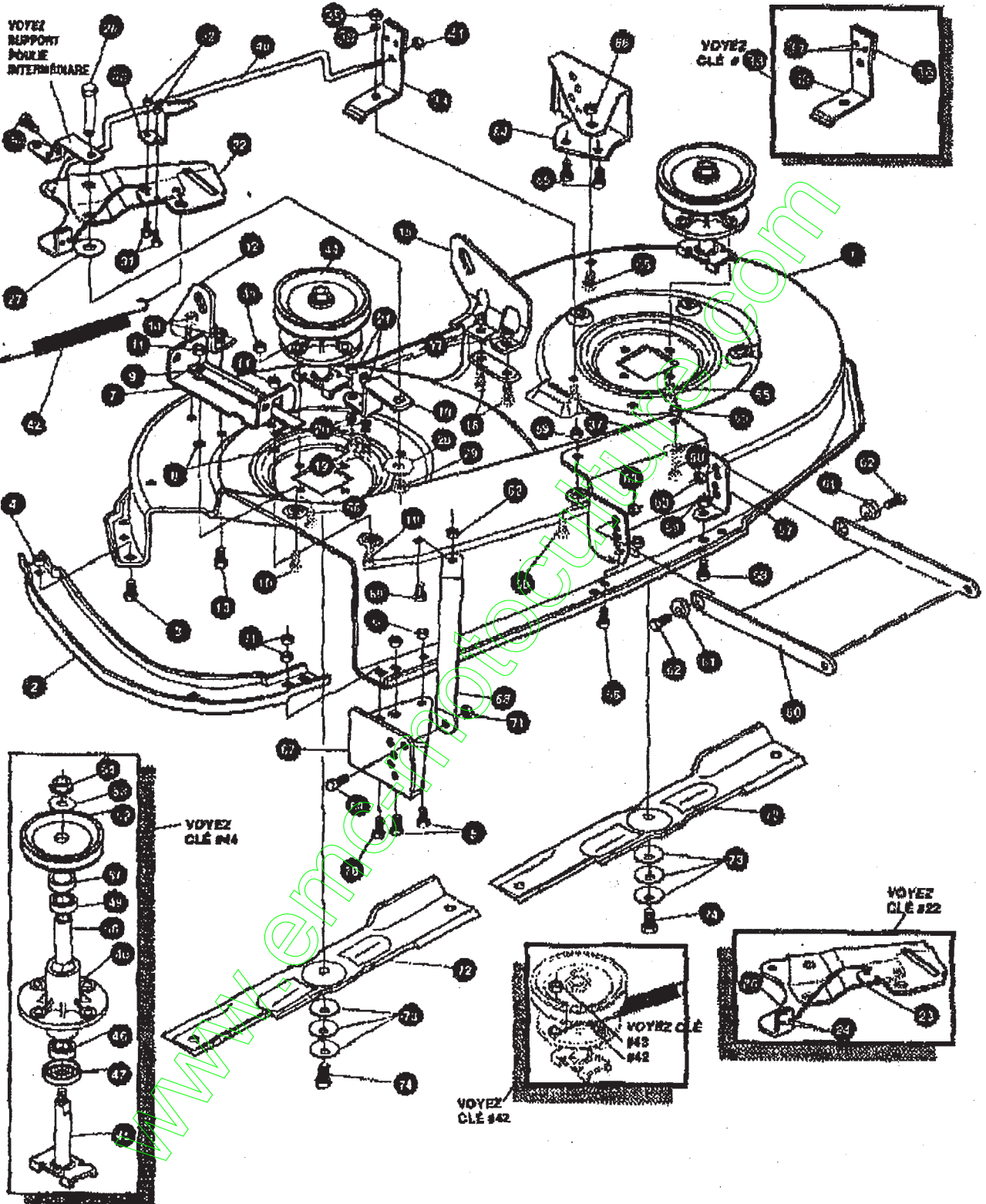
326269B

TRACTEUR TONDEUSE 40" MODELE D3560-270

KEY#PART#	DESCRIPTION	QTY.
1. ENGINE	B&S 14-18HP TWIN OPP (SEE ENGINE MANUAL)	1
2. 50947	SCREW, 3/8-16X1.25 WAHHTAPBLKP	4
3. 138489	WASHER, EXLK .384X.69X.04	1
4. 305550	MUFFLER, 15/18HP LARGE LO-TONE	1
5. 305552	EXHAUST TUBE 18HP B&S RH	1
6. 305551	EXHAUST TUBE 18HP LH	1
7. 58640	GASKET, MUFFLER	2
8. 180020	SCREW, 1/4-20X .75 HHC GR5	4
9. 120380	WASHER, REGSPTLK.263X.49X.07	4
10. 56472	DEFLECTOR SIDE OUT (B5222578)	1
11. 35287	SCREW, #8-32X .38 HHWATAPGR2	4
12. 304709-853	BRACKET, MUFFLER	1
13. 56030	SCREW, 5/16-18X.75WDFLLK GR5	2
14. 55273	NUT, 5/16-18 HXWDFLLK	2
15. 995346	SCREW, 1/4-20X .50 WAHHTAP	2
16. 9796	ML BRACKET, TRANSAXLE MOUNTING	1
17. 995338	SCREW, 1/4-20X .63 HHWATAP	2
18. 308644-853	MP SHIELD, MUFFLER HEAT 18HP B&S	1
19. 180077	SCREW, 5/16-18X .75 HHC GR5	2
20. 55273	NUT, 5/16-18 HXWDFLLK	2
21. 66470-853	MP DEFLECTOR, COOL AIR	1
22. 315317	PULLEY, ENG 3.0DX4.0LGX3.0D	1
23. 303151	KEY, SQUARE .2495OX4.50LG	1
24. 304246	SPACER, SLEV. 01X1.484X.	1
25. 56431	WASHER, .980IDX1.38ODX.497PILOT	1
26. 120383	WASHER, REGSPTLK.459X.78X.12	1
27. 443146	SCREW, 7/16-20X4.25 HHC BLK PH	1
28. 52796-853	MP BULKHEAD, HOOD H-8	1
29. 314992	TANK, FUEL 2 GAL CLEAR	1
30. 49050	SCREW, 1/4-10X .75PHPNTAPGR2BK	6
31. 47452	TUBING, .25X.50X BULK GAS LINE	15
32. 48672	CLAMP, FUEL LINE RED	2
33. 46704	CAP, GAS 1-1/2-7 THD BLK	1
34. 325547	OIL DRAIN	1
34A. 327422	OIL DRAIN CAP	1
35. 300466	CONTROL, THROTTLE 31LG TWIN BS	1
36. 320553	SCREW, 10-24X.63PHPNMA CRSS	2
37. 271166	NUT, #10-24 HEXKEPS	2
38. 56538	RETAINER, WIRE	1
39. 35258	SCREW, 10-24X.38 SLHWATAPGR2	1
40. 50607	KNOB, ROUND THROTTLE BLACK	1
41. 300432	CONTROL, CHOKE 47.13LG PAN TK	1
42. 57444	TIE, CABLE BLACK NYLON 5.62L	2

TRACTEUR TONDEUSE 40" MODELE D3560-270

CARTER DE TONDEUSE



UTILISEZ DES PIÈCES D'ORIGINE POUR CONSERVER L'APPLICATION DE LA GARANTIE.

TOUTES LES PIÈCES NON RÉFÉRÉES SONT INTERCHANGEABLES AVEC LEURS OPPOSÉS.

324063H

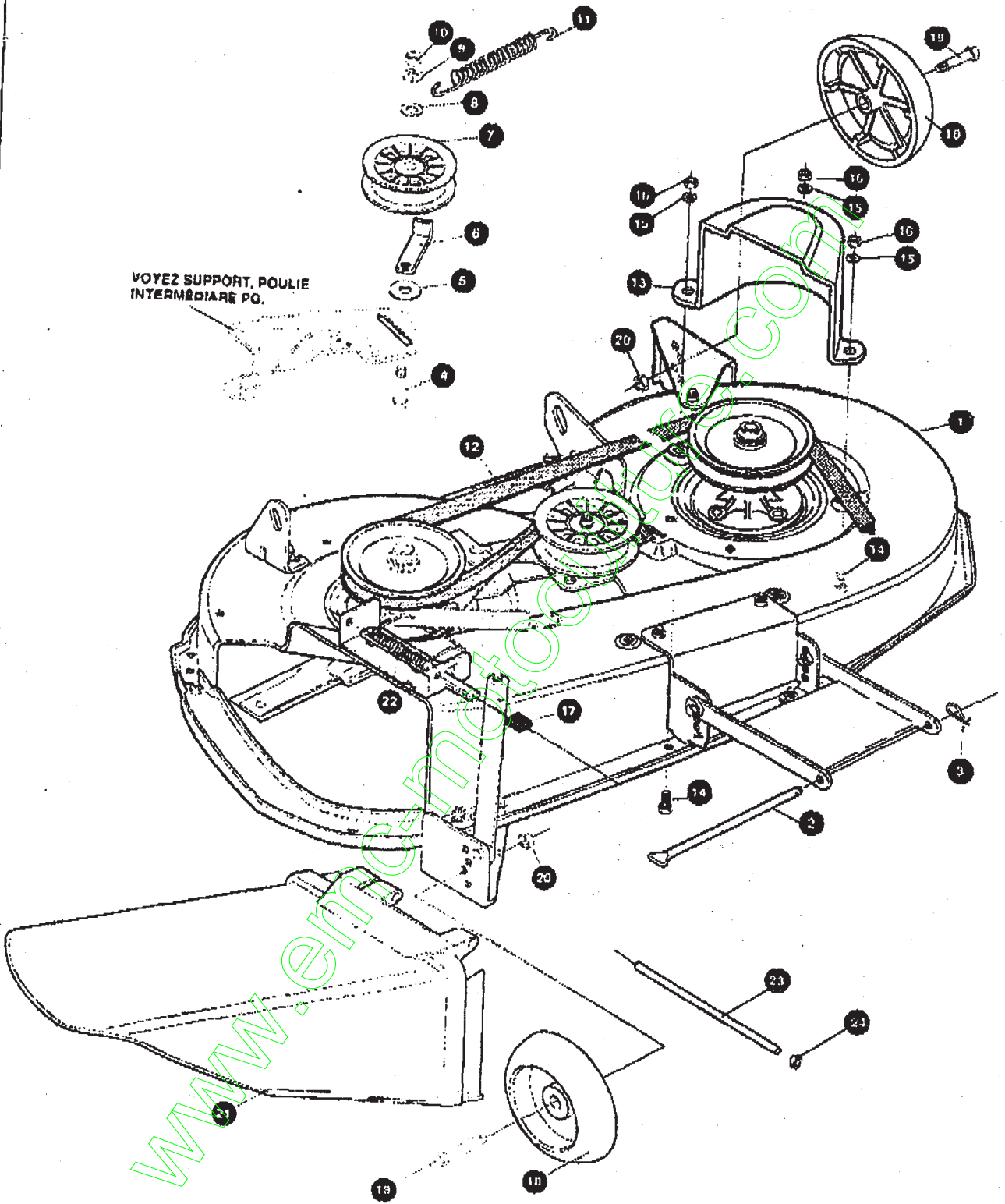
TRACTEUR TONDEUSE 40" MODELE D3560-270

KEY#	PART#	DESCRIPTION	QTY.
1.	325103	MS MOWER DECK, 40" LF/EURO	1
2.	328480	TOE GUARD	1
3.	180075	SCREW, 5/16-18 X .63 HHC GR5	1
4.	1498	NUT, 5/16-18 REGHEXOTRLK	1
5.	180075	SCREW, 5/16-18X .50 HHC GR5	2
6.	1498	NUT, 5/16-18 REGHEXOTRLK	2
7.	317017	BRACKET, CHUTE MOUNT	1
8.	120393	WASHER, FLAT .344 X .69 X .006	2
9.	322320-853	LEVER ASSEMBLY	1
10.	180075	SCREW, 5/16-18 X .63 HHC GR5	2
11.	1498	NUT, 5/16-18 REGHEXOTRLK	2

www.emc-motoculture.com

TRACTEUR TONDEUSE 40" MODELE D3560-270

CARTER DE TONDEUSE



VOYEZ SUPPORT, POULIE INTERMÉDIAIRE PG.

UTILISEZ DES PIÉCES D'ORIGINE POUR CONSERVER L'APPLICATION DE LA GARANTIE.

TOUTES LES PIÉCES NON RÉFÉRÉES SONT INTERCHANGEABLES AVEC LEURS OPPOSÉS.

325601B

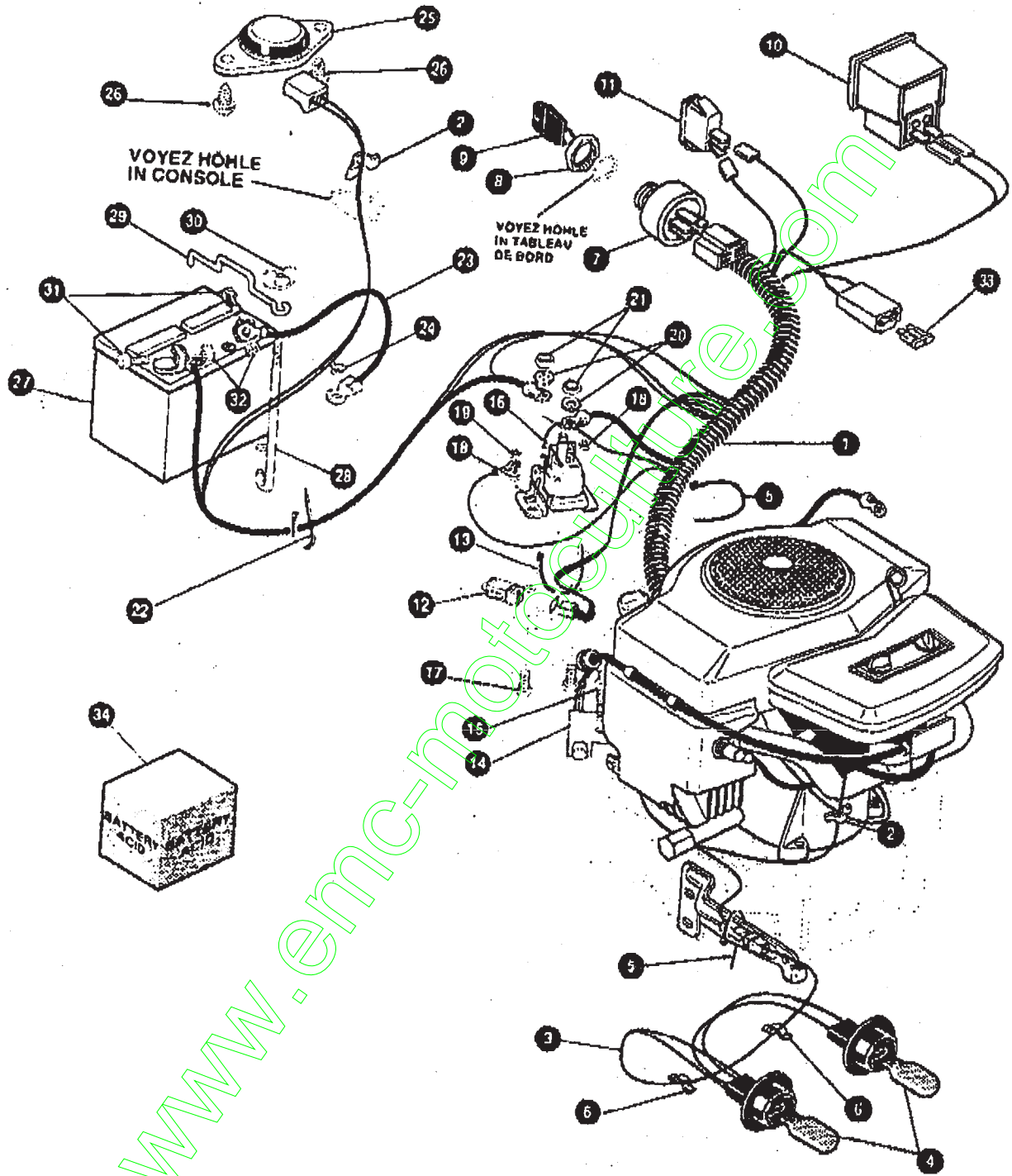
TRACTEUR TONDEUSE 40" MODELE D3560-270

KEY#	PART#	DESCRIPTION	QTY.
1	^	DECK, 40" MOWER 2-WH DOMESTIC	1
2	58306	ROD, DECK HITCH	1
3	8260	PIN, HAIR .091 DIA X 1.86 LG	1
4	57325	BOLT, 3/8-16 X 2.00 CARR	1
5	25210	WASHER, FLAT .392 X 1.25 X .09	1
6	1346	RETAINER, BELT	1
7	310326	PULLEY, IDLER BFF 4.00 WIDE FL	1
8	996307	WASHER, FLAT .391 X 1.00 X .209	1
9	120382	WASHER, REG SP TLK .393 X .68 X .10	1
10	120377	NUT, 3/8-16 REGHX	1
11	300479	SPRING, TENSION 7.62 LG + 17 LB/IN	1
12	319005	BELT, V 5L 81 00 DECK 40 LF	1
13	328257	GUARD, BELT LH PLASTIC	1
14	180075	SCREW, 5/16-18 X .63 HHC	1
15	120393	WASHER, FLAT .344 X .69 X .065	3
16	1498	NUT, 5/16-18 REG HEX CT R/LK	3
17	42348	GRIP-LEVER	3
18	302611	GAGE WHEEL, EURO	1
19	23763	SHOULDER BOLT	2
20	1499	NUT, 3/8-16 REG HEX CT R/LK	2
21	304422	CHUTE DEFLECTOR 40"-43"	2
22	314975	SPRING TORSION	1
23	304424	ROD, PIVOT DECK	1
24	3535	PUSH NUT	1

* ORDER DECK KIT# 329035 FOR COMPLETE DECK.

TRACTEUR TONDEUSE 40" MODELE D3560-270

FAISCEAU ELECTRIQUE



UTILISEZ DES PIECES D'ORIGINE POUR CONSERVER L'APPLICATION DE LA GARANTIE.

TOUTES LES PIECES NON REFEREES SONT INTERCHANGEABLES AVEC LEURS OPPOSEES.

325513C

TRACTEUR TONDEUSE 40" MODELE D3560-270

KEY#	PART#	DESCRIPTION	QTY.
1.	322798	WIRE HARNESS T4-18TWIN OPP DYN	1
2.	41482	PRESS CLIP, 1.380LG, 25SID	2
3.	303054	ASSY. LIGHT WIRE-1/4 TURN	1
4.	52572	BULB, HEADLAMP	2
5.	322685	TIE CABLE BLACK NYLON 5.62L	1
6.	41482	PRESS CLIP, 1.380LG, 25SID	2
7.	327355	SWITCH-IGN.(AFTER FIRE) 3 POSN	2
8.	327352	NUT, 5/8-32 HXHD IGN SWIT	2
9.	327349	KEY, IGNITION SWITCH	1
10.	300133	AMMETER	1
11.	300334	LIGHT SWITCH ON/OFF PANEL	1
12.	320082	SWITCH, DOUBLE POLE NO/NC BLACK	1
13.	57444	TIE CABLE BLACK NYLON 5.62L	1
14.	57476	SWITCH, SCR MNT DP NC NO	1
15.	57220	SCREW, #12 X .50 PHPNHTAP	1
16.	53716	SOLENOID	1
17.	187745	SCREW, 1/4-20X .75 HXSEMMA	2
18.	1602	NUT, 1/4-20 REGHEXCTRLK	1
19.	271172	NUT, 1/4-20 REGHEXKEPS	2
20.	130485	WASHER, EXLK 320X.61X.03	2
21.	120368	NUT, 5/16-24 REGHEX	1
22.	57444	TIE CABLE BLACK NYLON	2
23.	55511	WIRE, GROUND, 12.5"	2
24.	271184	NUT, 5/16-18 HEXKEPS	1
25.	57547	SWITCH, SEAT	1
26.	160505	SCREW, 1/4-20X 38PHPNHMA	1
27.	302257	BATTERY 12VOLT, GENERIC	1
28.	57551	ROD, BATTERY	2
29.	57552	ROD, BATTERY, TOP	1
30.	325232	NUT, WING 1/4-20 NYLON	1
31.	120854	SCREW, 1/4-20X .63 HHC	1
32.	271172	NUT, 1/4-20 REGHEXKEPS	1
33.	302031	FUSE, 15 AMP SPADE TYPE	2
34.		BATTERY ACID, 80 OZ.	1

* SPADE TYPE FUSES ARE INCLUDED WITH THE WIRE HARNESS.
 * CAN BE PURCHASED LOCALLY.

SCHEMATIC DRAWING:

