



# PIÈCES DÉTACHÉES

Débroussailleuse



**EXPERTPRO-D50**



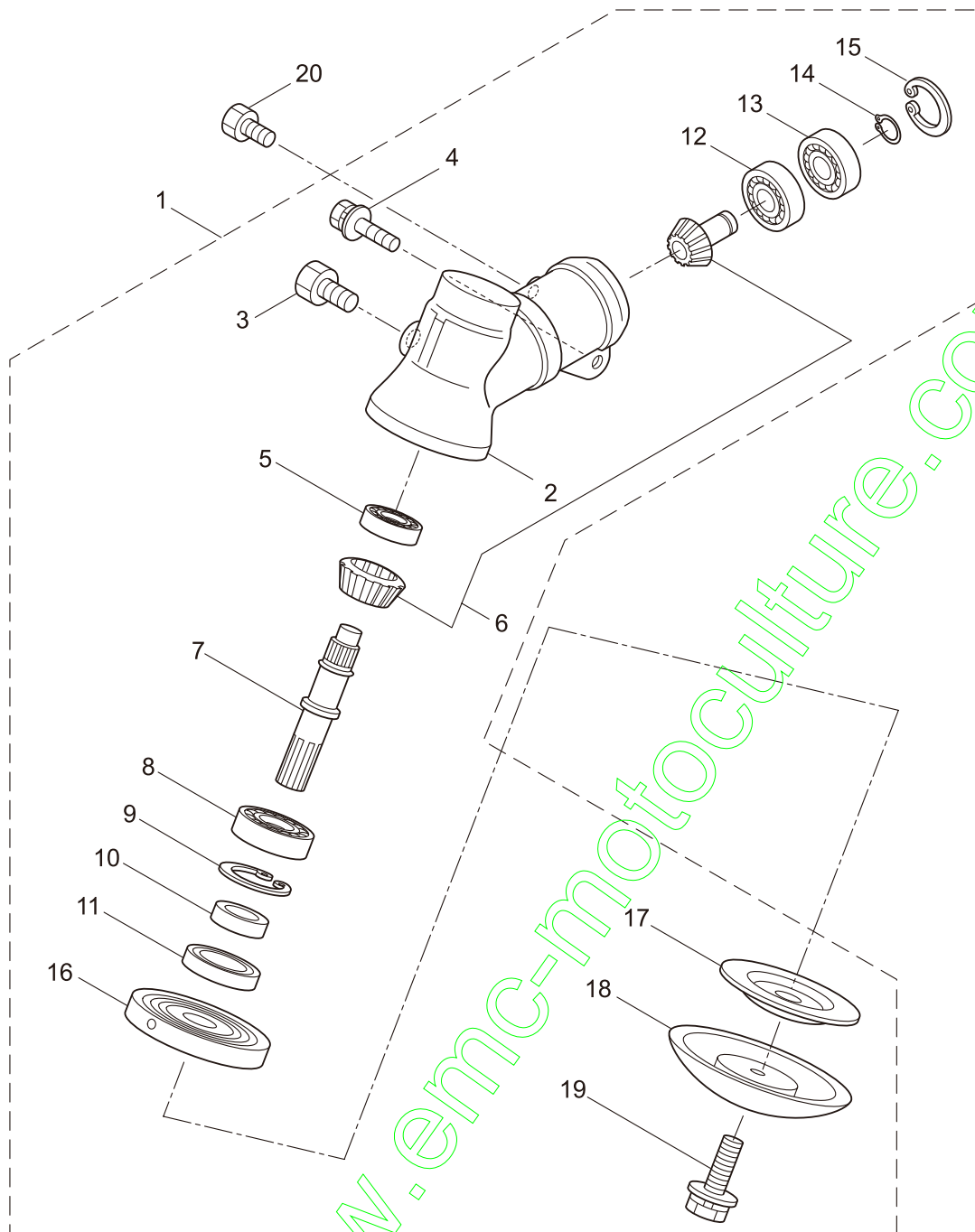
Yvan Béal - 21, av. de l'Agriculture - B.P. 16  
Z.I. du Brézet - 63014 Clermont-Ferrand Cedex 2  
Tél : 04 73 91 93 51 - Télécopie : 04 73 90 23 11  
www.yvanbeal.fr - E-mail : info@yvanbeal.fr  
R.C.S. Clermont-Fd B 304 973 886 S.A.S. au capital de 612 000 €

**03-001097-101022**

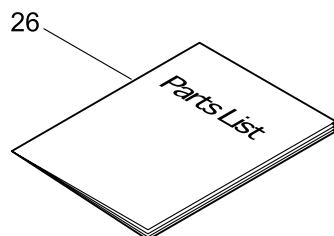
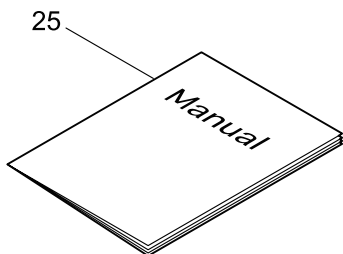
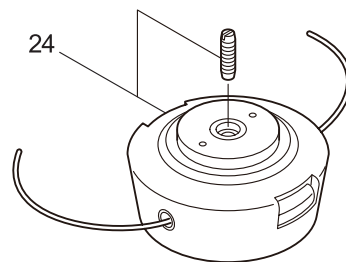
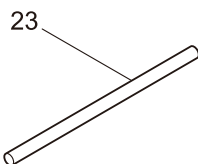
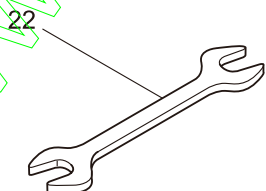
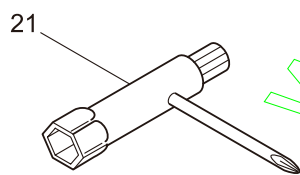




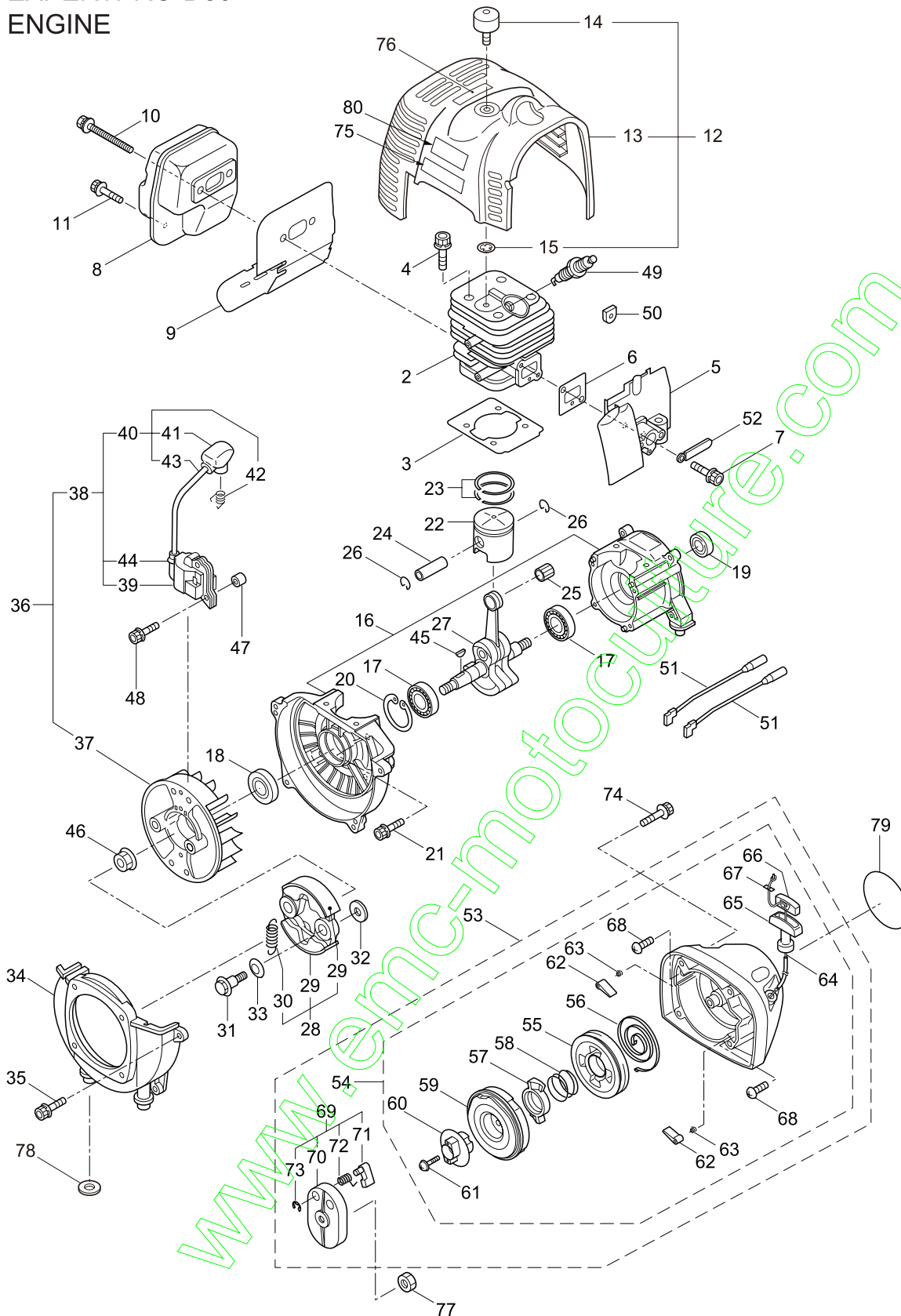
## 2. EXPERTPRO-D50 GEARCASE



Ref.No.	Part No.
2-1	219645
2-2	219646
2-3	089101
2-4	092556
2-5	210560
2-6	227102
2-7	217057
2-8	022009
2-9	016732
2-10	212394
2-11	211818
2-12	014490
2-13	106933
2-14	014210
2-15	054676
2-16	217060
2-17	217061
2-18	210308
2-19	215610
2-20	089747
2-21	210418
2-22	022865
2-23	210181
2-24	229781
2-25	231976
2-26	523033



### 3. EXPERTPRO-D50 ENGINE



Ref.No.	Part No.
3-1	858785
3-2	283076
3-3	282259
3-4	261612
3-5	282261
3-6	282262
3-7	267290
3-8	282264
3-9	282271
3-10	266713
3-11	283315
3-12	287415
3-13	287416
3-14	285843
3-15	286362
3-16	282277
3-17	262658
3-18	262660
3-19	262565
3-20	012380
3-21	261612
3-22	283078
3-23	282941
3-24	262749
3-25	262659
3-26	262479
3-27	283038
3-28	282743
3-29	282624
3-30	263617
3-31	283671
3-32	262683
3-33	262682
3-34	282285
3-35	261250
3-36	282287
3-37	282288
3-38	282289
3-39	267572
3-40	282290
3-41	282292
3-42	261075
3-43	282291
3-44	261072
3-45	261076

Ref.No.	Part No.
3-74	261607
3-75	287293
3-76	286940
3-77	126990
3-78	285735
3-79	287291
3-80	265694

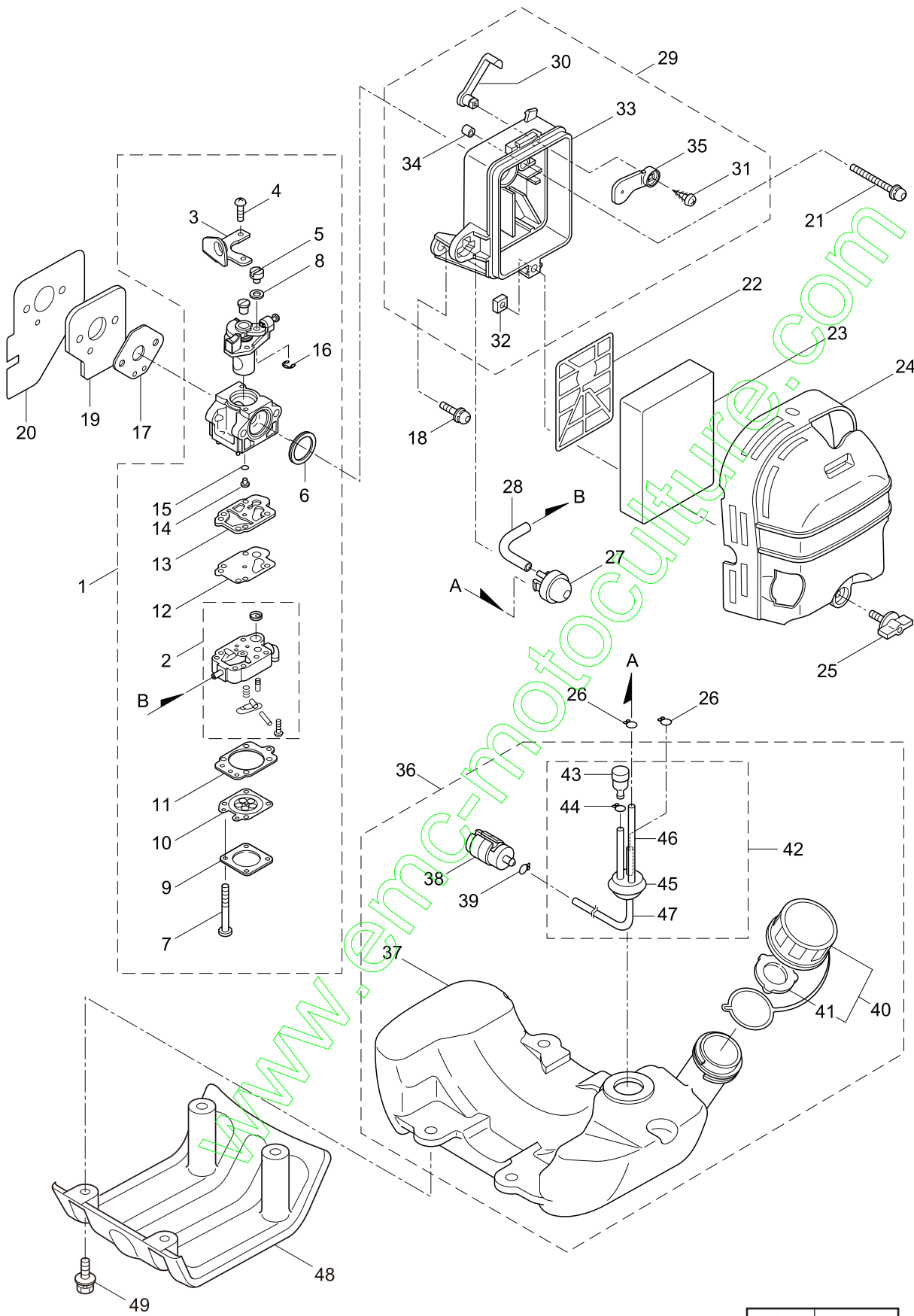
Ref.No.	Part No.
3-67	281005
3-68	282622
3-69	282623
3-70	282282
3-71	262636
3-72	262637
3-73	262638

Ref.No.	Part No.
3-60	280999
3-61	281000
3-62	281001
3-63	281002
3-64	281004
3-65	262633
3-66	262981

Ref.No.	Part No.
3-53	282294
3-54	282295
3-55	280994
3-56	280995
3-57	280996
3-58	280997
3-59	283123

Ref.No.	Part No.
3-46	262731
3-47	280381
3-48	283669
3-49	262483
3-50	281172
3-51	267492
3-52	264588

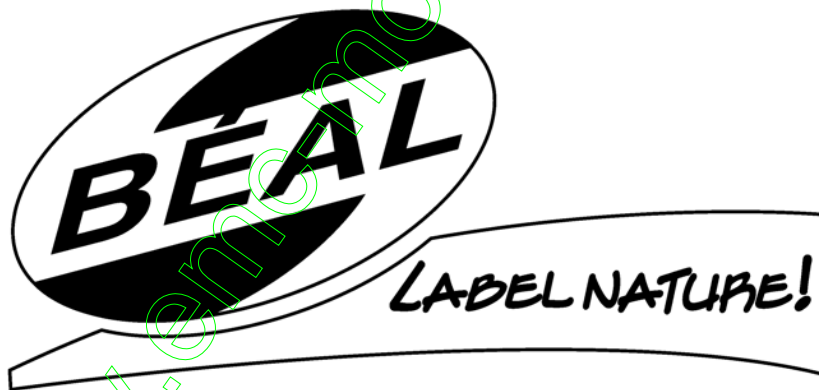
# 4. EXPERTPRO-D50 CARBURETOR, FUEL TANK



Ref.No.	Part No.
4-1	284109
4-2	283124
4-3	264677
4-4	261875
4-5	261658
4-6	261657
4-7	263737
4-8	264678
4-9	263726
4-10	283905
4-11	263727
4-12	262994
4-13	282576
4-14	283125
4-15	261871
4-16	261876
4-17	282301
4-18	264807
4-19	283086
4-20	283087
4-21	262720
4-22	282481
4-23	282306
4-24	285163
4-25	281438
4-26	261117
4-27	282299
4-28	282512
4-29	282302
4-30	282305
4-31	269032
4-32	269423
4-33	282303
4-34	282484
4-35	282304
4-36	282309
4-37	282310
4-38	267328
4-39	261117
4-40	281564
4-41	269377
4-42	282312
4-43	261590
4-44	261117
4-45	268065

Ref.No.	Part No.
4-46	282511
4-47	262649
4-48	285757
4-49	281714





**Yvan Béal - 21, av. de l'Agriculture - B.P 16**  
**Z.I. du Brézet - 63014 Clermont-Ferrand Cedex 2**  
**Tél: 04 73 91 93 51 - Télécopie : 04 73 90 23 11**  
**www.yvanbeal.fr - E-mail : info@yvanbeal.fr**  
**R.C.S. B 304 973 886 - S.A.S. au capital de 612 000 €**