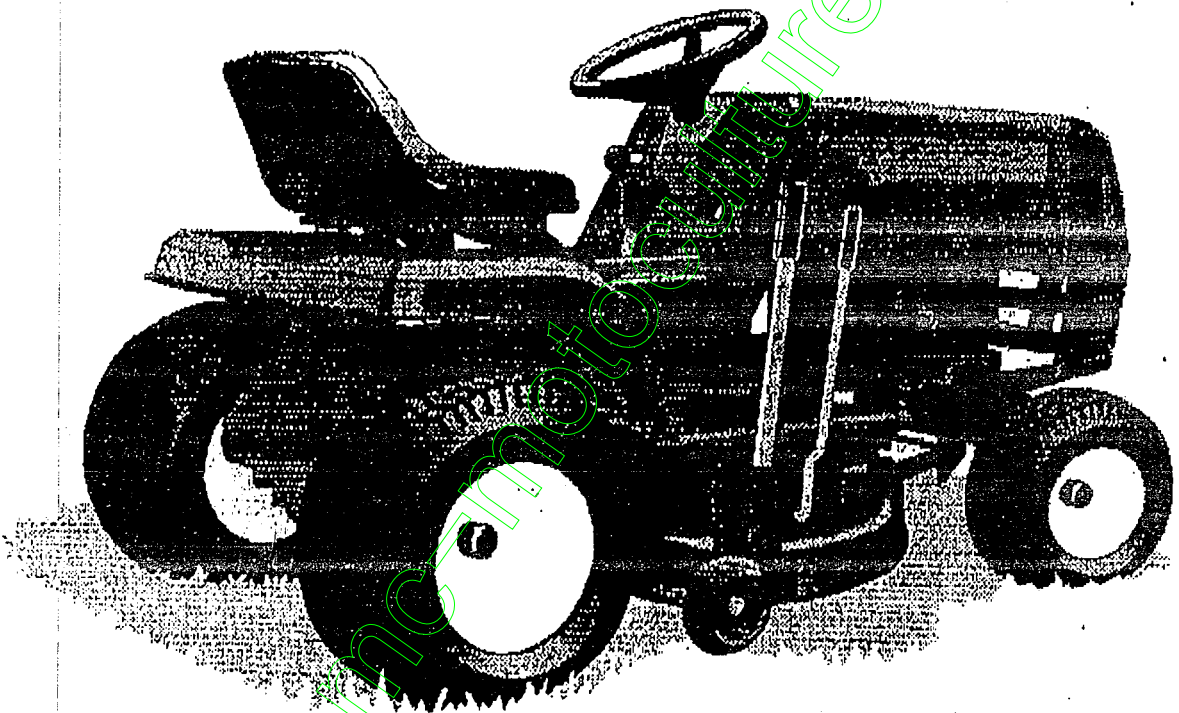


TONDEUSE AUTOPORTEE

CAST *Spring*

MANUEL PIECES DE RECHANGE

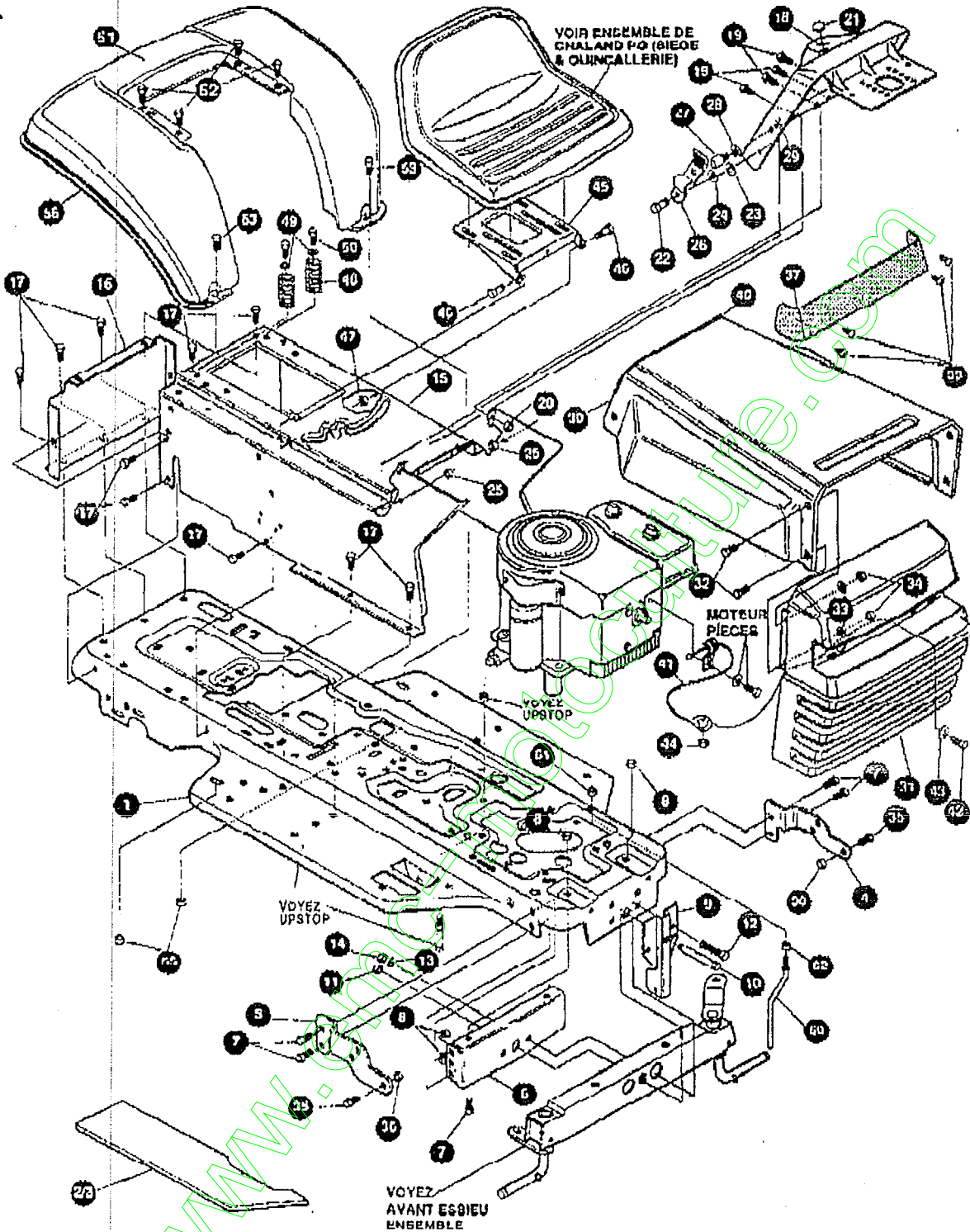


Modèle E3554-030

Pièce No. 332375B '94

36" TONDEUSE AUTOPORTEE MODELE E3554-030

CHASSIS & CAPOT ENSEMBLE



332290A

36" TONDEUSE AUTOPORTEE MODELE E3554-030

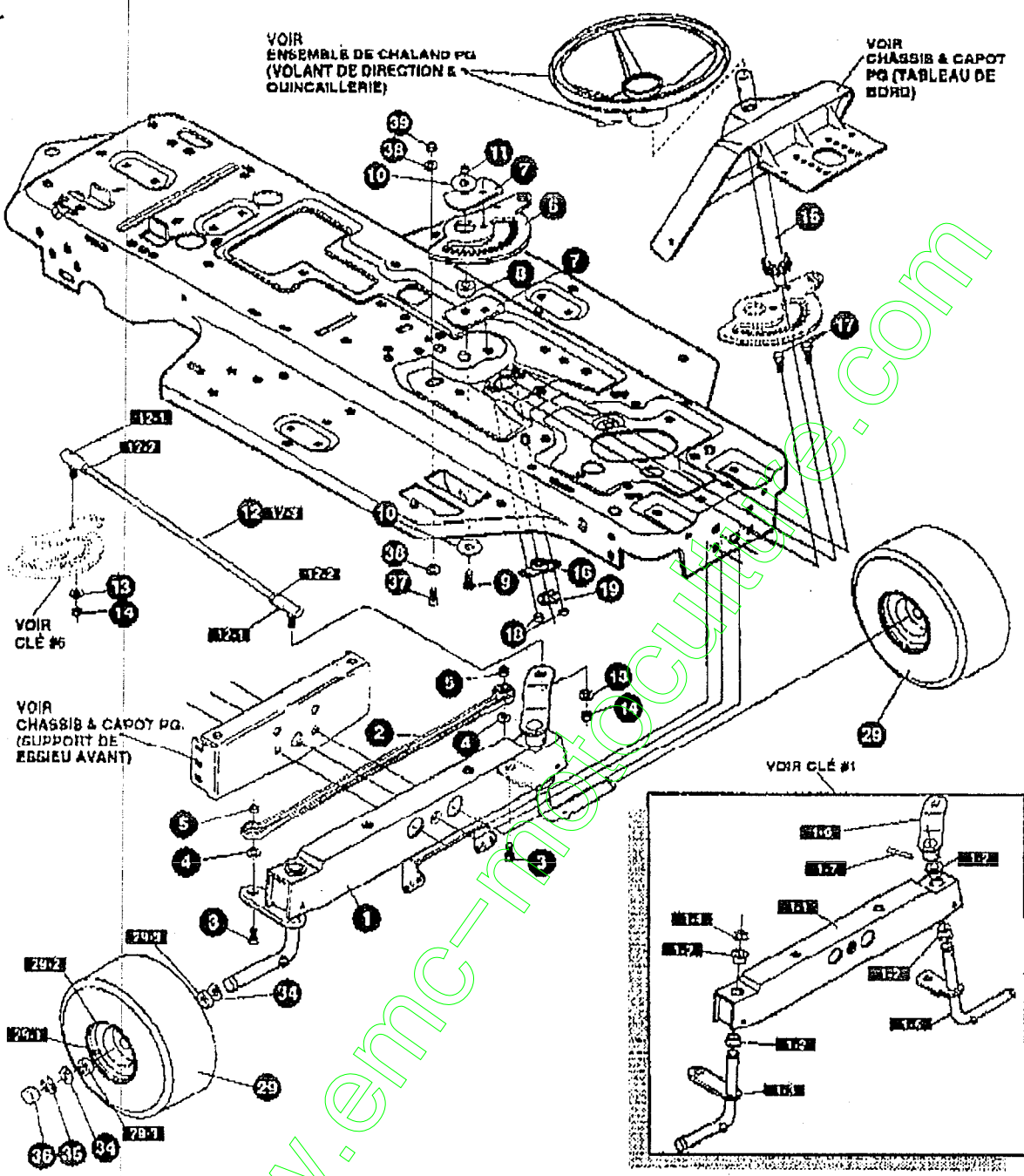
KEY#	PART#	DESCRIPTION	QTY
1	931173-860	FRAME MAIN	1
2	531634	FOOT PAD, RH SF, FULL WIDTH	1
3	331835	FOOT PAD, LH SF, FULL WIDTH	1
4	314579-853	BRACKET, GRILLE LH	1
5	214578-853	BRACKET, GRILLE RH	1
6	86362-863	BRKY, SUPPORT, FRONT AXLE	1
7	328154	SCREW, 5/16-18X1.0WDFLLK	9
8	55273	NUT, 5/16-18 HXWDFLLK	6
9	56261-800	BRACKET, FRONT HANGER	1
10	50720	BOLT, .625X2.676 SPSH 1/2-20	1
11	274654	NUT, 1/2-20 REGHXCTRLK	1
12	180138	SCREW, 3/8-16X3.00 HHC	1
13	2483	WASHER, 3/8IDX1.25DX.07 BELLVL	1
14	1409	NUT, 3/8-16 REGHXCTRLK	1
15	331798-860	CONSOLE	1
16	56235-860	CONSOLE, REAR COVER	1
17	995346	SCREW, 1/4-20X .50 WAHTAP	15
18	320466-860	DASH	1
19	44811	SCREW, 1/4-20X .75 WAHTAP	4
20	50352	NUT, 1/4-20 WDFLLK TOPLOCK	2
21	318202	PLUG, DOME, 56DIA, HEYCO #2653	1
22	8482	BOLT, .375X .156 HSH 5/16-18	2
23	120394	WASHER, FLAT .406X .81X.085	2
24	120393	WASHER, FLAT .344X .69X.085	2
25	1498	NUT, 5/16-18 REGHEXCTRLK	2
26	57150	LATCH, .64WDX.047 ASSY HOOD	2
27	53446	PIN, 5/16-18 HOOD LATCH	2
28	138538	WASHER, REGINTLK, 320X.61X.08	2
29	45174	NUT, 5/16-18 HEXWDFLLK WHIZ	2
30	314538-860	HOOD	1
31	328401	GRILLE	1
32	274672	SCREW, 1/4-20X .63 WAHHC	4
33	120392	WASHER, FLAT .281X .63X.065	4
34	1502	NUT, 1/4-20 REGHEXCTRLK	4
35	36149	BOLT, .375X .300 HSH 5/16-18	2
36	1498	NUT, 5/16-18 REGHEXCTRLK	2
37	302333	LENS, SMOKED	1
38	57796	SCREW, #6 X .50 PLASTITE/HI-LO	4
40	56304	EDGING, WIDE BLK	25 IN.
41	311094	LANYARD, HOOD 11.75LG H16 VANG	1
42	180020	SCREW, 1/4-20X .75 HHC	1
43	120392	WASHER, FLAT .281X .63X.065	1
44	1502	NUT, 1/4-20 REGHEXCTRLK	1
45	58367-853	PLATE, SEAT	1
46	20507	BOLT, .437X .156 HSH 5/16-18	2
47	1498	NUT, 5/16-18 REGHEXCTRLK	2
48	330463	SPRING, SEAT 1.500DX2.26LG	2
49	120392	WASHER, FLAT .281X .63X.065	2
50	995346	SCREW, 1/4-20X .50 WAHTAP	2
51	332420-860	FENDER	1
52	995346	SCREW, 1/4-20X .50 WAHTAP	4
53	126358	BOLT, 5/16-18X1.00 CARPLN	2
55	55273	NUT, 5/16-18 HXWDFLLK	2
56	55023	TRIM, STRIP, BLACK—SMALL, W/ ADH	77.5 IN.
60	50653	GUIDE, BELT	1
61	41529	NUT, 3/8-16 HXCTRLKJAM	1
62	271190	NUT, 8/0-16 HEXKEYS	1
	332365	OPERATOR'S MANUAL (NOT ILLUSTRATED)	1
	332375	PARTS MANUAL	1

36" TONDEUSE AUTOPORTEE MODELE E3554-030

ENSEMBLE DE DIRECTION

VOIR
ENSEMBLE DE CHALAND PG
(VOLANT DE DIRECTION &
QUINCAILLERIE)

VOIR
CHASSIS & CAPOT
PG (TABLEAU DE
BORD)



VOIR
CLÉ #5

VOIR
CHASSIS & CAPOT PG.
(SUPPORT DE
EGGIEU AVANT)

VOIR CLÉ #1

326426G

36" TONDEUSE AUTOPORTEE MODELE E3554-030

KEY#	PART#	DESCRIPTION	QTY
1		AXLE FRONT ASSY.....	1
1-1	56398-853	FRONT AXLE.....	1
1-2	50546	BEARING, FLANGED .789IDX1.002ODX .76.....	4
1-3	310368-853	SPINDLE, ASSY, RH LONG.....	1
1-4	36625	RING, RETEX .57X.05TRU5133-75.....	1
1-5	310367	SPINDLE ASSEMBLY, LH LONG.....	1
1-6	327619-850	ARM ASSY.....	1
1-7	454665	PIN, SPRING .250DIA X 1.25LG HVPL.....	1
2	302698	ASSEMBLY, TIE ROD 10.31 LG.....	1
3	180124	SCREW, 3/8-16X1.25 HHC.....	2
4	120392	WASHER, REGSPTLK.393X.68X.10.....	2
5	1499	NUT, 3/8-16 REGHXCTRLK.....	2
6	324752	GEAR, SECTOR.....	1
7	330789	PLATE, SECTOR.....	2
8	330021	BUSHING, SECTOR GEAR.....	1
9	181643	SCREW, 3/8-24X1.50 HHC.....	1
10	845	WASHER FLAT .390X1.25X.119.....	2
11	412349	NUT, 3/8-24 HXCTRLK.....	1
12	328808	DRAG LINK ASSY 17.69LG.....	1
12-1	57158	BALL JOINT 3/8 THD SHORT STUD.....	2
12-2	124925	NUT, 3/8-24 REGHEXJAM.....	2
12-3	58190	DRAG LINK.....	1
13	120382	WASHER, REGSPTLK.393X.68X.10.....	2
14	120369	NUT, 3/8-24 REGHEX.....	2
15	327834	SHAFT, PIN-STEER.....	1
16	325692	BEARING, FLANGED .50 IDX1.370ODX.....	1
17	326505	SCREW 1/4-20X.75 (TO 30-35 FT#).....	2
18	46831	NUT, 1/4-20 WDFL MAC-LOCK.....	2
19	20864	RING, RET E .39X.04TRU5133-50.....	1
20	41059	TIRE & RIM ASSY PU 13X5.0X6 TUR500.....	2
34	642	WASHER, FLAT .755X1.31X.076.....	4
35	36626	RING, RETEX .57X.05TRU5133-75.....	2
36	40394	HUB CAP, 1.600ID X 7/8LG.....	2
37	180124	SCREW, 3/8-16X1.25 HHC.....	1
38	120394	WASHER, FLAT .406X.81X.065.....	2
39	45171	NUT, 3/8-16 HWDFL WHIZ-LOCK ZN.....	1

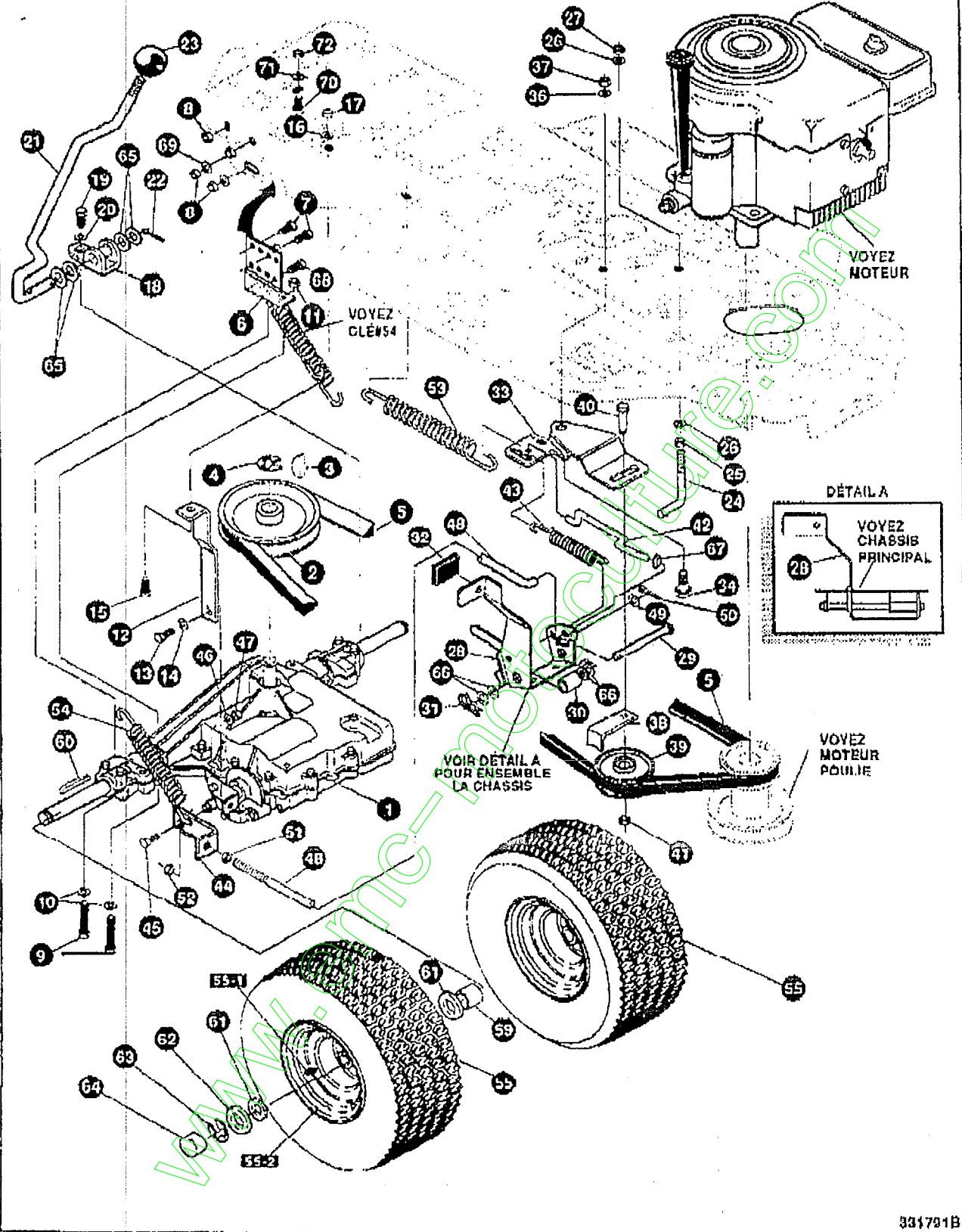
324915-

* ORDER INDIVIDUAL PARTS.

www.emc-motocultivo.com

36" TONDEUSE AUTOPORTEE MODELE E3554-030

COMMANDE DE PROPULSION



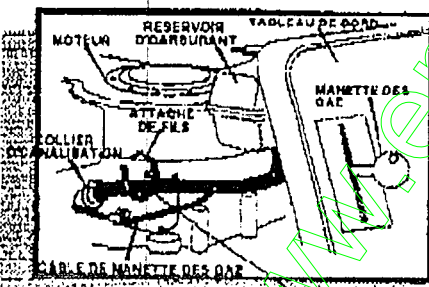
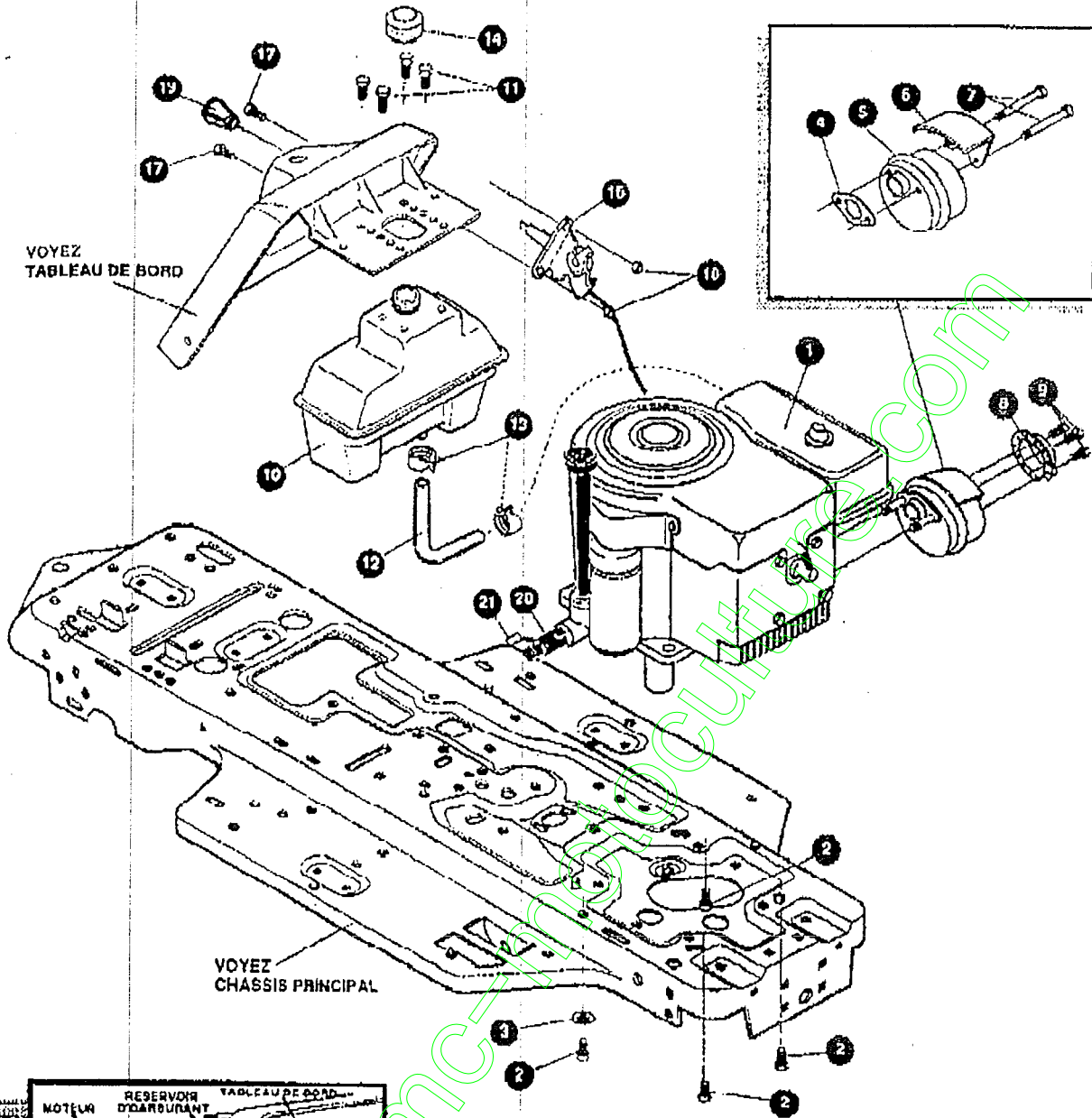
36" TONDEUSE AUTOPORTEE MODELE E3554-030

KEY#	PART#	DESCRIPTION	QTY
1		TRANSAXLE FOOTÉ 4360-5	1
2	303109	PULLEY, 6.8 OD V4L 1/A	1
3	50796	KEY, HI-PRO 606 .75DIA X.187WD	1
4	22053	RING, RETEX .58X.03STRU5100-82	1
5	54758	BELT, V 4L 82.00 SF DRIVE	1
6	326615-853	BRACKET, TRANSAXLE	2
7	180077	SCREW, 5/16-18X .75 HHC	4
8	1498	NUT, 5/16-18 REGHEXCTRLK	8
9	100091	SCREW, 6/16-19X2.50 HHC	4
10	120393	WASHER, FLAT .344X .69X.065	4
11	1498	NUT, 5/16-18 REGHEXCTRLK	4
12	323126	BRKT, STABILIZER BLKPHOS	1
13	35498	SCREW, 5/16-18X .75 WAHHTAP	1
14	120698	WASHER, HVSPTLK .328X.60X.08	1
16	180079	SCREW, 5/16-18X1.00 HHC	1
16	138485	WASHER, EXLK .320X.61X.03	1
17	1498	NUT, 5/16-18 REGHEXCTRLK	1
18	331393-853	BRACKET, SHIFT F4360	1
19	56255	SCREW, 1/4-28X .75 NYLHHC	1
20	57127	WASHER, .750X.250 SP-TRANSAXLE	1
21	331800	SHIFT LEVER (DANA) Z-PL	1
22	137185	PIN, COTTER .125 DIA X 1.00LG	1
23	55514	KNOB, ROUND 1.50 DIA	1
24	48896	BELT GUIDE	1
25	271184	NUT, 5/16-18 HEXKEPS	1
26	120393	WASHER, FLAT .344X .69X.065	2
27	1498	NUT, 5/16-18 REGHEXCTRLK	1
28	331836	ASSY, PEDAL, BRAKE, CLUTCH	1
29	319878	PIN, CLEVIS .500DX4.67LG	1
30	331972	SPACER, SLEV .53 X .62X1.240	1
31	66140	PIN, HAIR .091 DIA X 1.821 L	1
32	48781	PAD, CLUTCH/BRAKE PEDAL	1
33	321969	IDLER ARM BRKT TRACTION	1
34	329988	BOLT, .825X .135 HSSH 5/16-18	1
36	45602	WASHER, FLAT .393X .97X.118	1
37	1498	NUT, 5/16-18 REGHEXCTRLK	1
38	39659	RETAINER, BELT	1
39	35374	PULLEY, IDLER V4L 3.06X .82	1
40	45892	BOLT, 3/8-18X1.50 CARRSN	1
41	1498	NUT, 3/8-18 REGHEXCTRLK	1
42	331356	ROD, CLUTCH .288 DIA 3.92"	1
43	50562	SPRING 3/8ODX1.825X.055 TENSION	1
44	323127-853	BRKT, BRAKE ROD BLKPHOS	1
45	20507	BOLT, .437X .186 HSSH 5/16-18Z	1
46	120393	WASHER, FLAT .344X .69X.065	1
47	1498	NUT, 5/16-18 REGHEXCTRLK	1
48	323222	BRAKE ROD, RIDER BLKPHOS	1
49	120393	WASHER, FLAT .344X .69X.065	1
50	121222	PIN, COTTER .090 DIA X .75LG	1
51	271184	NUT, 5/16-18 HEXKEPS	1
52	1498	NUT, 5/16-18 REGHEXCTRLK	1
53	327867	SPRING 3/4 ODX7.75X.091 TENSION	1
54	35410	SPRING .071 X .62 X 4.37	1
55	333816	TIRE & RIM, PU 18X8.5X8 TUR668	2
55-1	24167	VALVE STEM	1
55-2	36182	WHEEL HUB	1
59	57479	SPACER, SLEV .75 X1.25X1.02	2
60	52928	KEY, SQUARE .1875QX2.25LG	2
61	642	WASHER, FLAT .755X1.31X.075	4
62	42815	WASHER, FLAT .755X1.59X.07	2
63	36625	RING, RETEX .57X.05TRU5133-75	2
64	40394	HUB CAP, 1.500ID X 7/8LG	2
65	5950	WASHER, FLAT .505X .88X.13	4
66	2068	WASHER, FLAT .504X .75X.059	4
67	332179	CAP, PUSH ON, FOR DIA .250 ROD	1
68	327917	SCREW, 5/16-18X1.50HHCFT	4
69	78787	WASHER, FLAT .390X .75X.1793	4
70	100022	SCREW, 1/4-20X1.00 HHC	1
71	120380	WASHER, REGSPTLK .263X .48X.07	1
72	120375	NUT, 1/4-20 REGHEX	1

* CONTACT YOUR NEAREST TRANSAXLE DEALER FOR PARTS AND SERVICE.

36" TONDEUSE AUTO-PORTEE MODELE E3554-030

MOTEUR ET COMMANDE



327140C

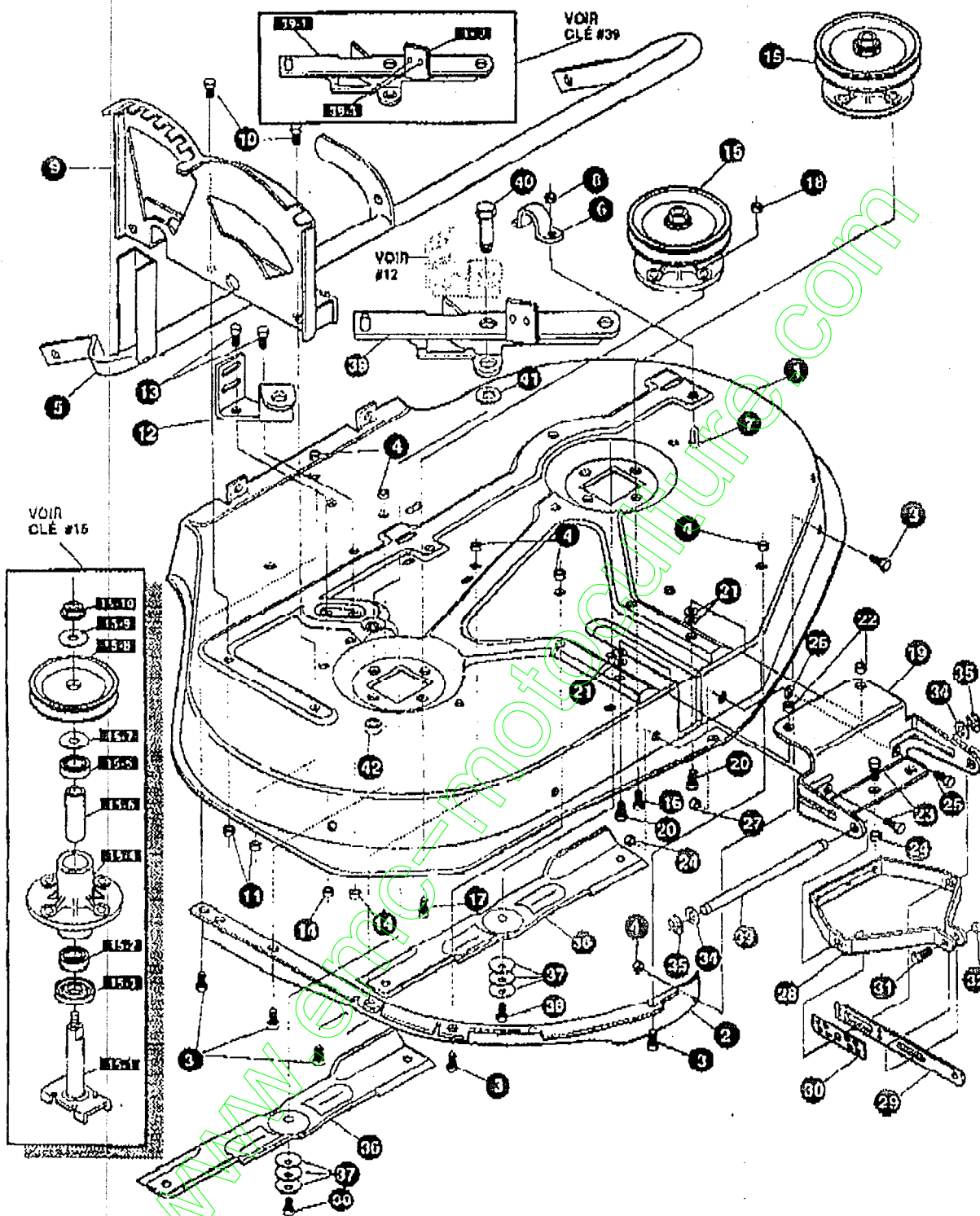
36" TONDEUSE AUTOPORTEE MODELE E3554-030

KEY#	PART#	DESCRIPTION	QTY
1	ENGINE	12-12.5HP BS IC DUAL (SEE ENGINE MANUAL)	1
2	50947	SCREW, 3/8-16X1.25 WAHHTAPBLKP	4
3	138460	WASHER, EXLK.384X.69X.04	1
4	54766	MUFFLER-DOM/EXP ROUND	1
5	46708	GASKET, MUFFLER	1
6	54767	SHIELD, HEAT.FOR ROUND MUFFLER	1
7	54900	SCREW, 5/16-18X3.50 HHC	2
8	323423	DEFLECTOR, MUFFLER PARTIAL	1
9	35287	SCREW, #8-32X .38 HHWATAP	3
10	314989	TANK, FUEL 1 GAL CLEAR	1
11	200303	SCREW, .25X.75X.51HHWAPLASTITE	4
12	42258	TUBING, .25X.50X BULK GAS LINE	12 IN.
13	47345	CLAMP, FUEL LINE	2
14	46704	CAP, GAS 1-1/2-7 THD BLK	1
15	87444	TIE, CABLE BLACK NYLON 5.82L	1
16	320031	THROTTLE CONTROL	1
17	274707	SCREW, 10-24X .50 WAHMA	2
18	308459	NUT, #10-24 HXHDNYLK	2
19	50607	KNOB, ROUND THROTTLE	1
20	325647	OIL DRAIN VALVE ASSEMBLY	1
21	327422	CAP,OIL DRAIN VALVE ASM,YELLOW	1

www.emc-motoculture.com

36" TONDEUSE AUTOPORTEEE MODELE E3554-030

BOÏTER DE TONDEUSE PEINT



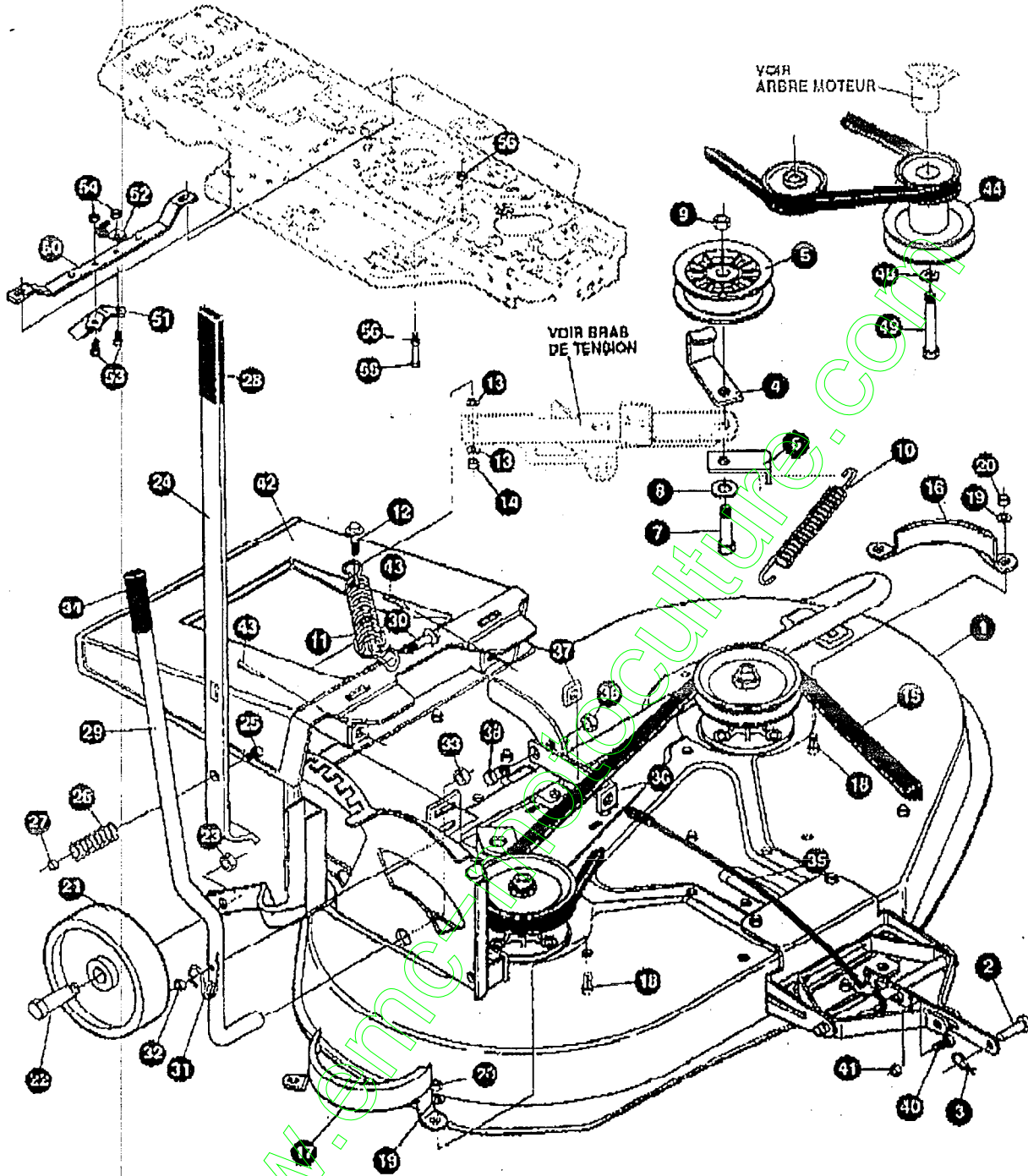
316030D

36" TONDEUSE AUTOPORTEE MODELE E3554-030

KEY#	PART#	DESCRIPTION	QTY
1	325096	36" DECK KIT	1
2	310242	BAR/FL. 36RD LH DECK	1
3	180075	SCREW, 5/16-18X .63 HHC	6
4	1499	NUT, 5/16-18 REGHEXCTRLK	6
5	304015	ASSY TORQUE TUBE 36"	1
6	310672	SUPPORT PIVOT TUBE	1
7	180073	SCREW, 5/16-18X .50 HHC	1
8	1498	NUT, 5/16-18 REGHEXCTRLK	1
9	53247	QUADRANT	1
10	180073	SCREW, 5/16-18X .50 HHC	2
11	1499	NUT, 5/16-18 REGHEXCTRLK	2
12	313631	BRACKET, IDLER	1
13	180075	SCREW, 5/16-18X .63 HHC	2
14	1498	NUT, 5/16-18 REGHEXCTRLK	2
15	50424-053	QUILL ASSY	2
15-1	56425	SHAFT/SADDLE 36"	1
15-2	49562	BRNG, BALL 6203-2AA(SEALS)-C3	1
15-3	50616	DUST SHIELD	1
16-4	55547	QUILL CASTING (1046)	1
15-5	49562	BRNG, BALL 6203-2AA(SEALS)-C3	1
15-6	50818	SPACER, SLEV .669X .88X3.787	1
16-7	51449	SPACER, SLEV .672X .83X .433PM	1
15-8	313858	PULLEY, 36" QUILL V5L	1
15-9	55355	WASHER, SPECIAL QUILL	1
15-10	1282	NUT, 7/16-20 WDFLLK	1
16	60834	SCREW, 5/16-18X .88 WAHTAP	7
17	300345	SCREW, 5/16-18X1.38 WAHTAP	1
18	1498	NUT, 5/16-18 REGHEXCTRLK	1
19	310762	LIFT PLATE	1
20	122007	SCREW, 5/16-18X .75 HHC	2
21	995416	WASHER, FLAT .391X1.00X.125	4
22	1498	NUT, 5/16-18 REGHEXCTRLK	2
23	180075	SCREW, 5/16-18X .63 HHC	2
24	1498	NUT, 5/16-18 REGHEXCTRLK	2
25	180079	SCREW, 5/16-18X1.00 HHC	1
26	995416	WASHER, FLAT .391X1.00X.125	1
27	1498	NUT, 5/16-18 REGHEXCTRLK	1
28	310763	BRACKET, PIVOT	1
29	49059	BAR, HITCH	1
30	310229	BRACKET, LOCK	1
31	120918	SCREW, 3/8-18X1.50 HHC	1
32	1499	NUT, 3/8-16 REGHXCTRLK	1
33	55724	PIN, PIVOT ROD .50DX7.55	1
34	998425	WASHER, FLAT .515X .88X.064	2
35	20664	RING, RET E .39X.04TRU5133-50	2
36	8685	BLADE, 36" STD LIFT	2
37	2483	WASHER, .391DX1.25DX.07 BELLVIL	6
38	39573	SCREW, 3/8-24X1.00 NVL HHC	3
39	311427-853	IDLER ASSY PIVOT ARM	1
39-1	311425	PIVOT ARM IDLER	1
39-2	306973	BRAKE PAD - HARD - 232AF	1
39-3	41601	RIVET, OVSET .187ODIAX .50LG ST	2
40	47516	BOLT, .500X1.950 HSSH 3/8-16	1
41	995416	WASHER, FLAT .381X1.00X.125	1
42	1499	NUT, 3/8-16 REGHXCTRLK	1

36" TONDEUSE AUTOPORTEE MODELE E3554-030

BOÏTER DE TONDEUSE

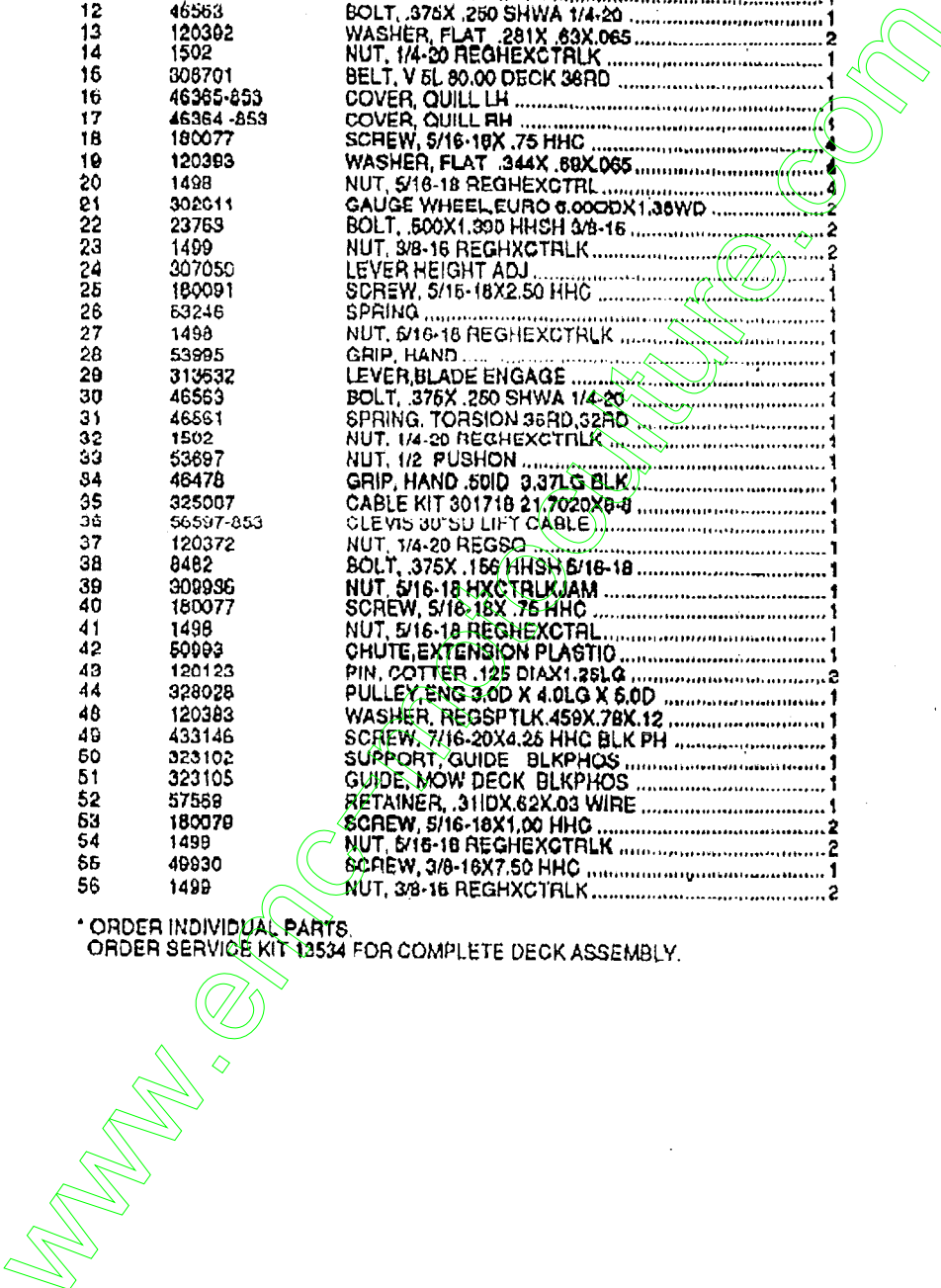


326636P

36" TONDEUSE AUTOPORTEE MODELE E3554-030

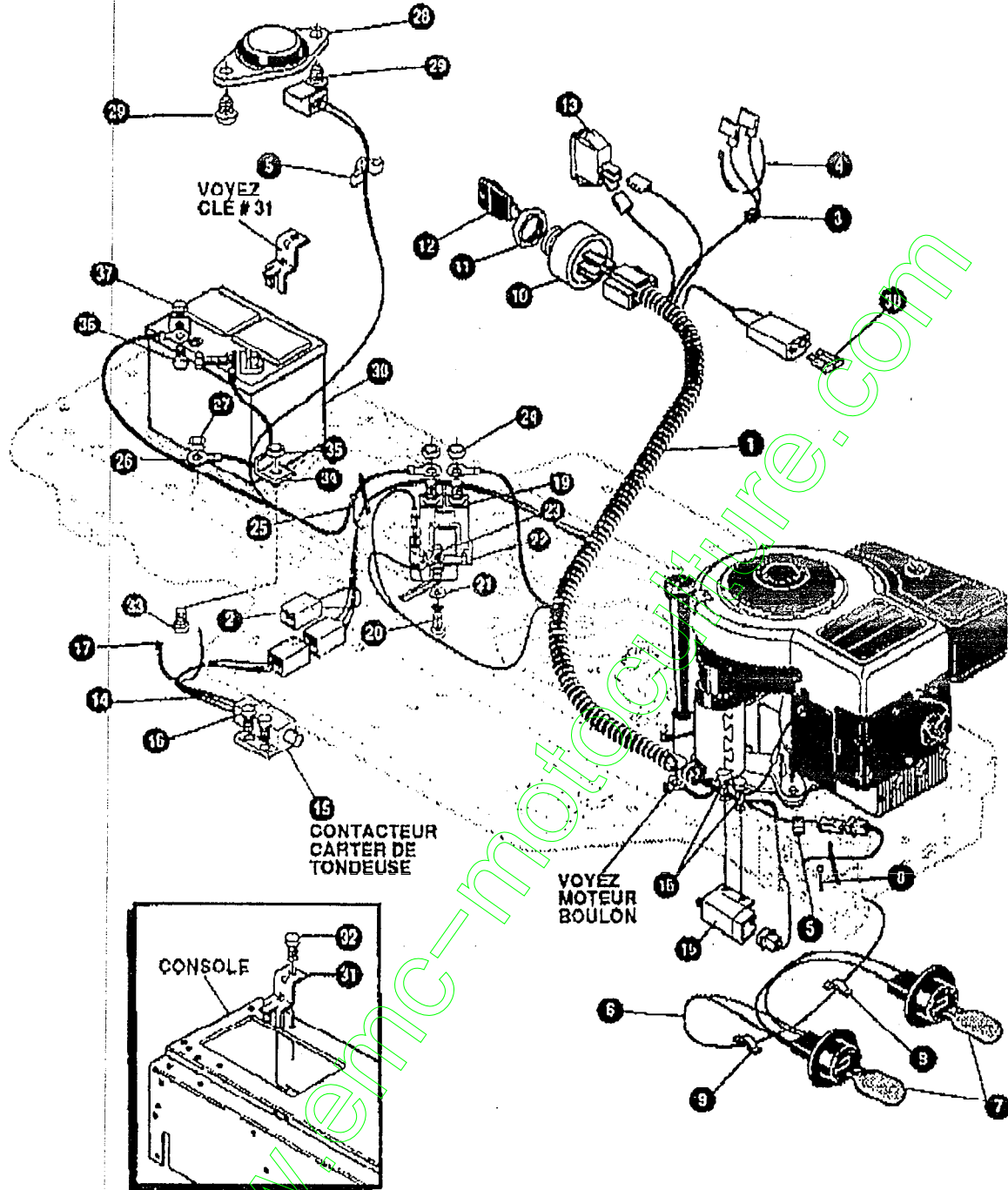
KEY#	PART#	DESCRIPTION	QTY
1		ASSY MOWER 36"RD DECK.....	1
2	47817	PIN, .485X1.750 CLEVIS.....	1
3	56100	PIN, HAIR .091 DIA X 1.62LG.....	1
4	7354	RETAINER, BELT.....	1
5	303028	PULLEY, IDLER BFF 3.13 DIA.....	1
6	57217-859	BRACKET, BRAKE PAD.....	1
7	180126	SCREW, 3/8-16X1.75 HHC.....	1
8	446363	WASHER, FLAT .375X .88X.092.....	1
9	1499	NUT, 3/8-16 REGHXCTRLK.....	1
10	36410	SPRING .071 X .62 X 4.37.....	1
11	52636	SPRING.....	1
12	46563	BOLT, .375X .250 SHWA 1/4-20.....	1
13	120302	WASHER, FLAT .281X .63X.065.....	2
14	1502	NUT, 1/4-20 REGHEXCTRLK.....	1
15	308701	BELT, V 5L 80.00 DECK 36RD.....	1
16	46365-853	COVER, QUILL LH.....	1
17	46364-853	COVER, QUILL RH.....	1
18	180077	SCREW, 5/16-18X .75 HHC.....	1
19	120393	WASHER, FLAT .344X .89X.065.....	1
20	1498	NUT, 5/16-18 REGHEXCTRL.....	4
21	302611	GAUGE WHEEL, EURO 6.000DX1.36WD.....	2
22	23763	BOLT, .500X1.390 HSSH 3/8-16.....	2
23	1499	NUT, 3/8-16 REGHXCTRLK.....	2
24	307050	LEVER HEIGHT ADJ.....	1
25	180091	SCREW, 5/16-18X2.50 HHC.....	1
26	63246	SPRING.....	1
27	1499	NUT, 5/16-18 REGHEXCTRLK.....	1
28	53995	GRIP, HAND.....	1
29	313532	LEVER, BLADE ENGAGE.....	1
30	46563	BOLT, .375X .250 SHWA 1/4-20.....	1
31	46561	SPRING, TORSION 36RD, 32RD.....	1
32	1502	NUT, 1/4-20 REGHEXCTRLK.....	1
33	53697	NUT, 1/2 PUSHON.....	1
34	46478	GRIP, HAND .60ID 3.37LG BLK.....	1
35	325007	CABLE KIT 301718 21.7020X8-8.....	1
36	56597-853	CLEVIS 30"SD LIFT CABLE.....	1
37	120372	NUT, 1/4-20 REGSQ.....	1
38	8482	BOLT, .375X .156 HSSH 5/16-18.....	1
39	309936	NUT, 5/16-18 HXCTRLK JAM.....	1
40	180077	SCREW, 5/16-18X .75 HHC.....	1
41	1498	NUT, 5/16-18 REGHEXCTRL.....	1
42	50993	CHUTE, EXTENSION PLASTIC.....	1
43	120123	PIN, COTTER .125 DIA X 1.25LG.....	2
44	328028	PULLEY, ENG 3.0D X 4.0LG X 6.0D.....	1
45	120383	WASHER, REGSPTLK .459X.78X.12.....	1
46	433146	SCREW, 7/16-20X4.25 HHC BLK PH.....	1
47	323102	SUPPORT, GUIDE BLKPHOS.....	1
48	323105	GUIDE, MOW DECK BLKPHOS.....	1
49	57568	RETAINER, 31IDX.62X.03 WIRE.....	1
50	180079	SCREW, 5/16-18X1.00 HHC.....	2
51	1499	NUT, 5/16-18 REGHEXCTRLK.....	2
52	49930	SCREW, 3/8-16X7.50 HHC.....	1
53	1499	NUT, 3/8-16 REGHXCTRLK.....	2

* ORDER INDIVIDUAL PARTS.
 ORDER SERVICE KIT 13534 FOR COMPLETE DECK ASSEMBLY.



36" TONDEUSE AUTOPORTEE MODELE E3554-030

EQUIPEMENT ELECTRIQUE

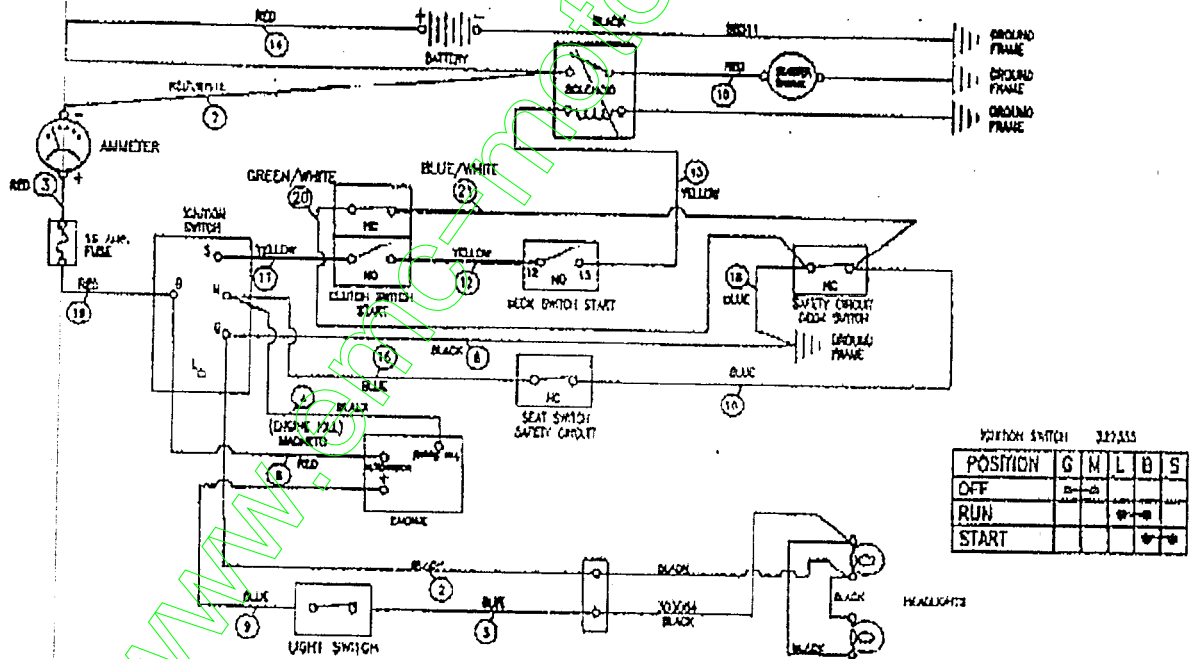


332289A

36" TONDEUSE AUTOPORTEE MODELE E3554-030

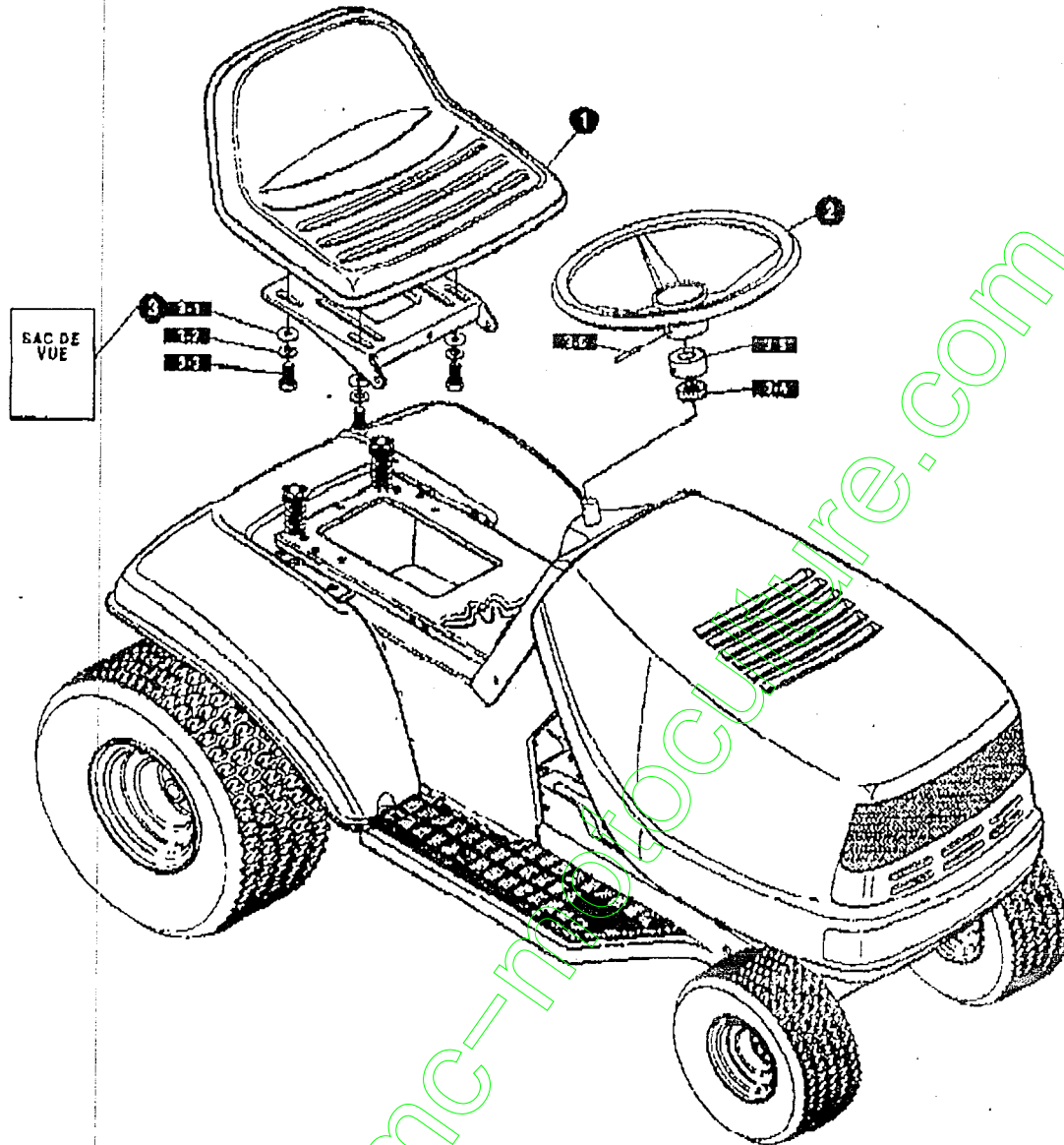
KEY#	PART#	DESCRIPTION	QTY
1	331454	WIRE HARNESS OF DUAL CIRCUIT	1
2	322306	BY-PASS FOR GROUND SUPPORT	1
3	322298	SPLIGER	1
4	57444	TIE, CABLE BLACK NYLON 5.62L	1
5	41482	PRESS CLIP, 1.38DLG, 25SID	1
6	303064	ASSY, LIGHT WIRE-1/4 TURN	2
7	52672	BULB, HEADLAMP	1
8	57444	TIE, CABLE BLACK NYLON 5.62L	2
9	41482	PRESS CLIP, 1.38DLG, 25SID	1
10	327355	SWITCH-IGN. (AFTER FIRE) 3 POSN	2
11	327352	NUT, 5/8-BACME DELTA FOR BOOT	1
12	327350	KEY, IGNITION	1
13	300334	LIGHT SWITCH ON/OFF PANEL MNT	1
14	57588	HARNESS, DECK WIRE SHORT 4 WIRE	1
15	57476	SWITCH, SCR MNT DP NC NO BLK	2
16	300302	SCREW, #10 X .60 HHTAPPST BLK	4
17	57444	TIE, CABLE BLACK NYLON 5.62L	1
19	53716	SOLENOID	1
20	187745	SCREW, 1/4-20X .75 HXSEMMA	2
21	1084	WASHER, FLAT .281X1.00X D&3PL	1
22	1502	NUT, 1/4-20 REGHEXCTRLK	2
23	271172	NUT, 1/4-20 REGHEXKEPS	1
24	271187	NUT, 5/16-24 HKEEPS	1
26	57444	TIE, CABLE BLACK NYLON 5.62L	2
26	55511	WIRE, GROUND, 12.5"	1
27	271104	NUT, 5/16-18 HEXKEPS	1
28	57547	SWITCH, BEAT	1
29	160505	SCREW, 1/4-20X .38PHPNHMA	2
30	302257	BATTERY, 12V	1
31	328175	BATTERY BRACKET	1
32	995346	SCREW, 1/4-20X .50 WAHHTAH	1
33	187745	SCREW, 1/4-20X .75 HXSEMMA	1
34	9148	BRACKET, CABLE RETAINER	1
35	1502	NUT, 1/4-20 REGHEXCTRLK	1
36	120854	SCREW, 1/4-20X .63 HHC	2
37	271172	NUT, 1/4-20 REGHEXKEPS	2
38	302031	FUSE SPADE, TYPE 32V 15A	1

SCHEMATIC WIRING



36" TONDEUSE AUTOPORTEE MODELE E3554-030

CHAÛLAND ENSEMBLE



KEY#	PART#	DESCRIPTION	QTY
1	304314	SEAT, MICHIGAN WSW HOLE	1
2	330510	STEERING WHEEL	1
3	331424	PARTS BAG ASSY SEAT/STEER	1
1-1	120303	WASHER, FLAT .344X.68X.D85	4
1-2	120638	WASHER, HVSP TLK .328X.60X.09	4
1-3	122007	SCREW, 5/16-10X .75 HHC	4
1-4	331322	COVER, STEERING SHAFT	1
1-5	301413	SPACER, STEERING SHAFT	1
1-6	456378	PIN, SPRING.250DIA X2.00LG HVPL	1
		BATTERY ACID PACK, 60 OZ	1

* MAY BE PURCHASED AT LOCAL HARDWARE STORES.

327405D