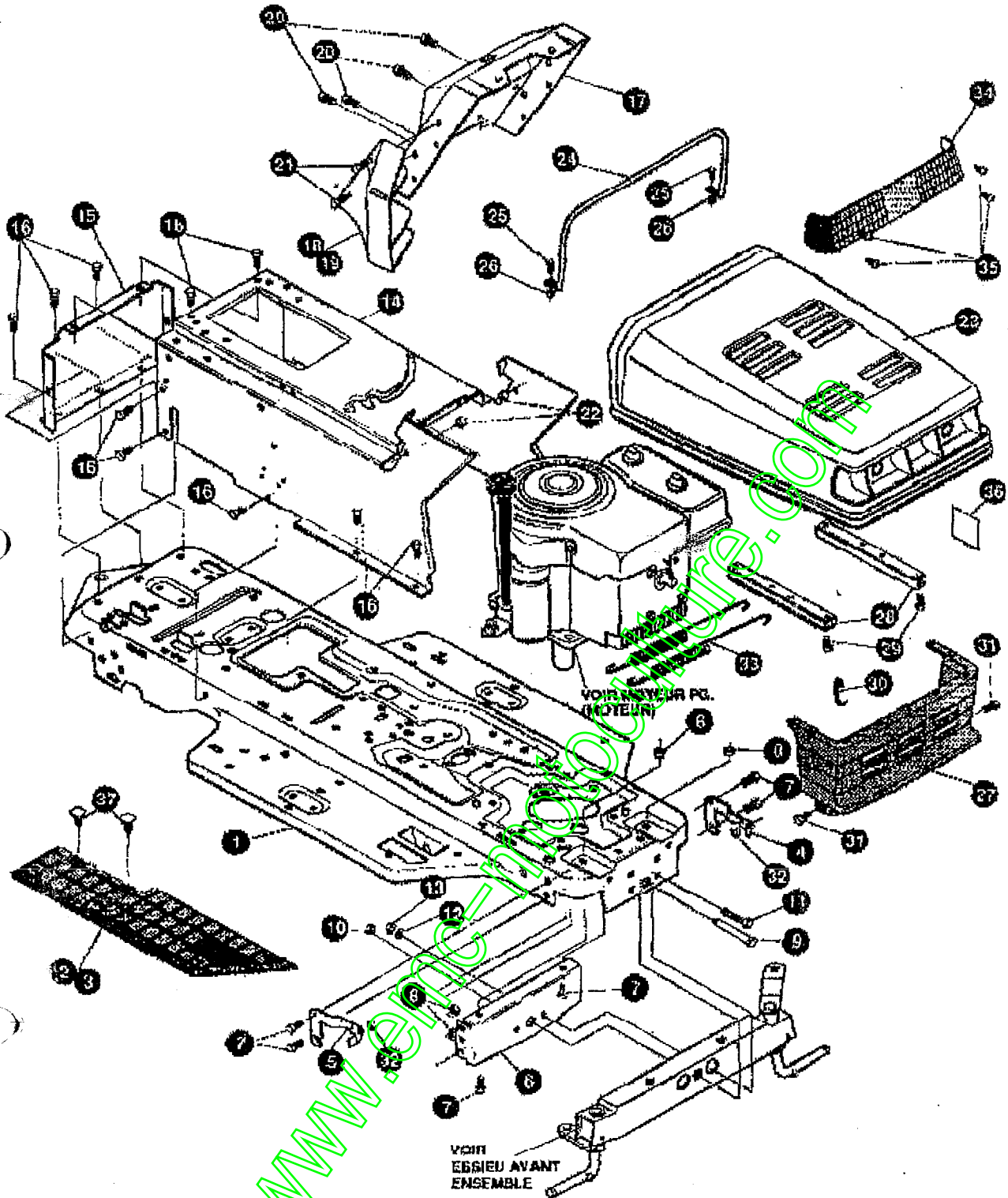


38" TONDEUSE AUTOPORTEE MODELE E3554-320

CHASSIS & CAPOT ENSEMBLE



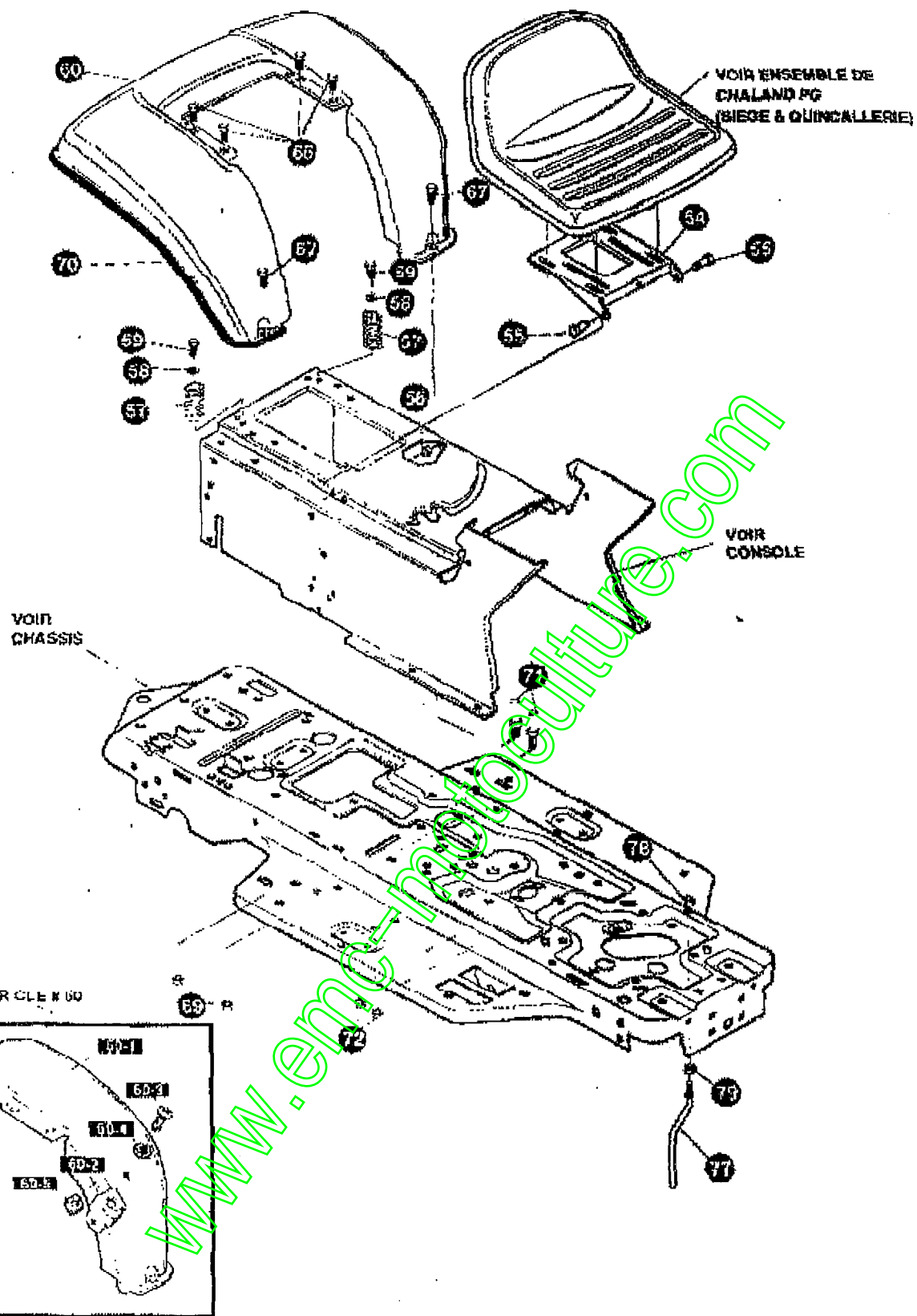
UTILISEZ DES PIÈCES D'ORIGINE POUR CONSERVER L'APPLICATION DE LA GARANTIE.

TOUTES LES PIÈCES NON RÉFÉRÉES SONT INTERCHANGEABLES AVEC LEURS OPPOSÉS.

33302 1A

KEY#	PART#	DESCRIPTION	QTY
1	331173-860	FRAME, MAIN	1
2	310003	FOOT PAD, LH SF MOLDED	1
3	310004	FOOT PAD, RH SF MOLDED	1
4	313003-853	BRACKET, GRILLE SUPPORT LH	1
5	313004-853	BRACKET, GRILLE SUPPORT RH	1
6	56302-853	BRKT, SUPPORT FRONT AXLE	1
7	328154	SCREW, 5/16-18X1.0WDFLLK	5
8	65273	NUT, 5/16-18 HXWDFLLK	5
9	29816	BOLT, .525X1.990 HSSH 1/2-20	1
10	274654	NUT, 1/2-20 REGHXCTRLK	1
11	180138	SCREW, 3/8-16X3.00 HHC	2
12	2483	WASHER, 3/8IDX1.25DX.07 BELLVL	2
13	1499	NUT, 3/8-16 REGHXCTRLK	2
14	332173-860	CONSOLE, SF GP DASH	1
15	56235-860	CONSOLE, REAR COVER	1
16	995348	SCREW, 1/4-20X .50 WAHHTAP	15
17	321980-853	DASH, SM. FR. W/O AMMET	1
18	302723	INSERT, DASH, LH	1
19	302724	INSERT, DASH, RH	1
20	44811	SCREW, 1/4-20X .75 WAHHTAP	4
21	274672	SCREW, 1/4-20X .63 WAHHC	4
22	51335	NUT, 1/4-20 WOFLWHIZ-LK	4
23	397032	HOOD	1
24	307278	SUPPORT, HOOD	1
25	301542	SCREW, 10-24X1.00HWATAPBLKPHOS	4
26	271166	NUT, #10-24 HEXKEPS	4
27	302722	GRILLE LOWER	1
28	9783	BRACKET, TIE HOOD	2
29	35055	SCREW, 10-24X.50 SLHWATAP	8
30	310203	CLIP, HOG RING C-SHAPED	1
31	56675	BOLT, .375X .580 HSSH 5/16-18	2
32	1498	NUT, 5/16-18 REGHEXCTRLK	2
33	67478	SPRING, HOOD LATCH	2
34	305716	LENS	1
35	57796	SCREW, #6 X .50 PLASTREHLO	4
36	301452	FOIL HEAT REFLECTOR	1
37	303295	FASTENER, RATCHET BLACK	12
	330648	FRENCH OPERATOR'S MANUAL	1
	333399	ENGLISH PARTS MANUAL	1

www.emc-motocycles.com



UTILISEZ DES PIÈCES D'ORIGINE POUR CONSERVER L'APPLICATION DE LA GARANTIE.

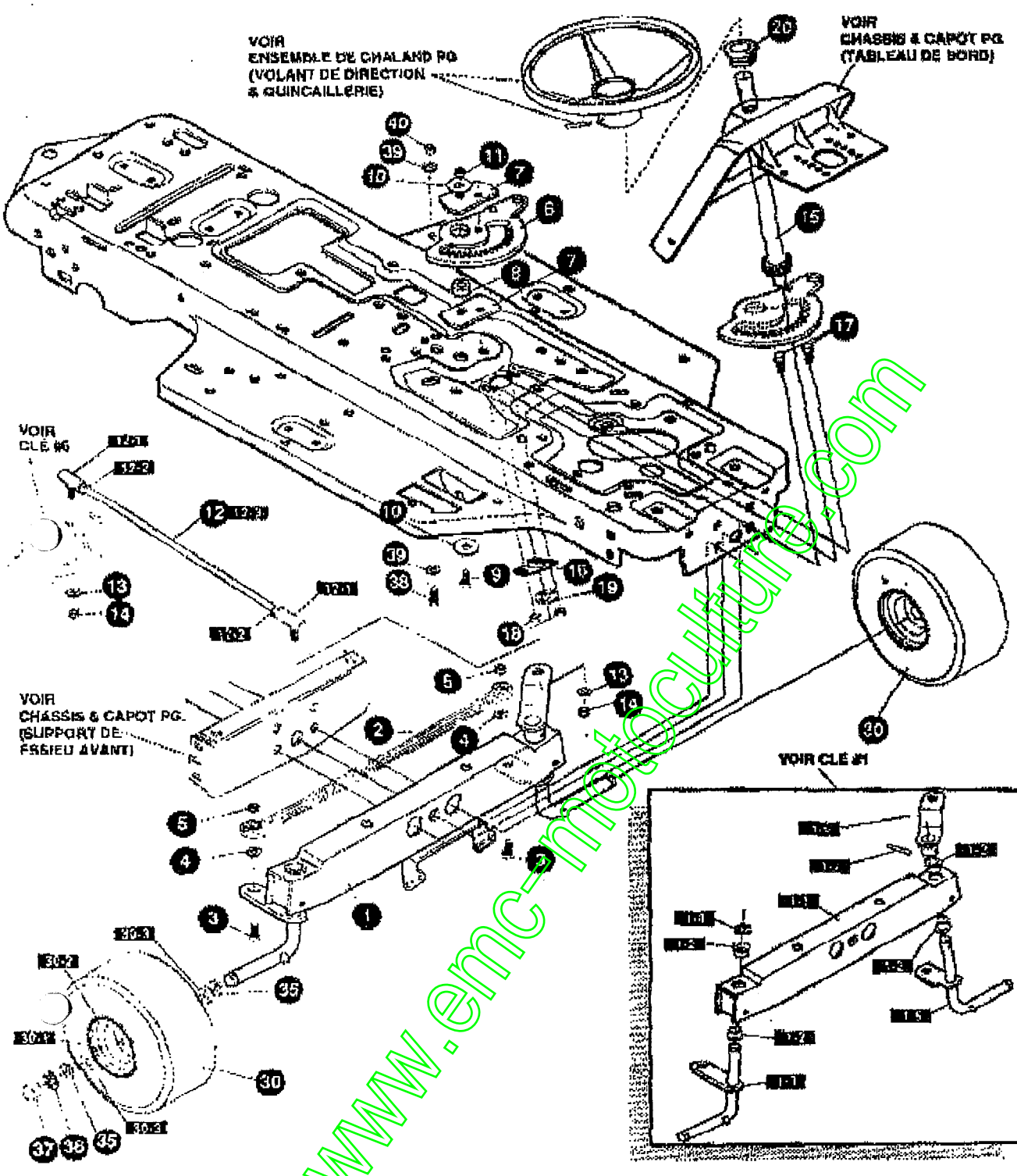
TOUTES LES PIÈCES NON RÉFÉRÉES SONT INTERCHANGEABLES AVEC LEURS OPPOSÉS.

332021A

KEY#	PART#	DESCRIPTION	QTY
54	58967-860	PLATE, SEAT	1
55	20507	BOLT, .437X .156 HNSH 5/16-18	2
56	1498	NUT, 5/16-18 REOMEXCTRLK	2
57	330489	SPRING, SEAT 1.50ODX2.25LG	2
58	120392	WASHER, FLAT .281X .63X .065	2
59	995346	SCREW, 1/4-20X .50 WAHHTAP	2
60	-	ASM FENDER	1
60-1	332426	FENDER	1
60-2	39239	CLEVIS	1
60-3	438455	SCREW, 5/16-18X .56PHIPMA	1
60-4	301551	WASHER, .344IDX1.50DX.09 CU	1
60-5	120379	NUT, 5/16-18 SO	1
66	995346	SCREW, 1/4-20X .50 WAHHTAP	4
67	128558	BOLT, 5/16-18X1.00 CARFLN	2
69	68273	NUT, 5/16-18 HXWDFLLK	2
70	85023	TRIM STRIP, BLACK—SMALL, W ADH	77,800
71	53446	PIN, 5/16-18 HOOD LATCH	2
72-2	71184	NUT, 5/16-18 HEXKEPS	2
77	50853	GUIDE, BELT	1
78	41628	NUT, 3/8-16 HXCTRLKJAM	1
79	271190	NUT, 3/8-16 HEXKEPS	1

www.emc-motoculture.com

ENSEMBLE DE DIRECTION



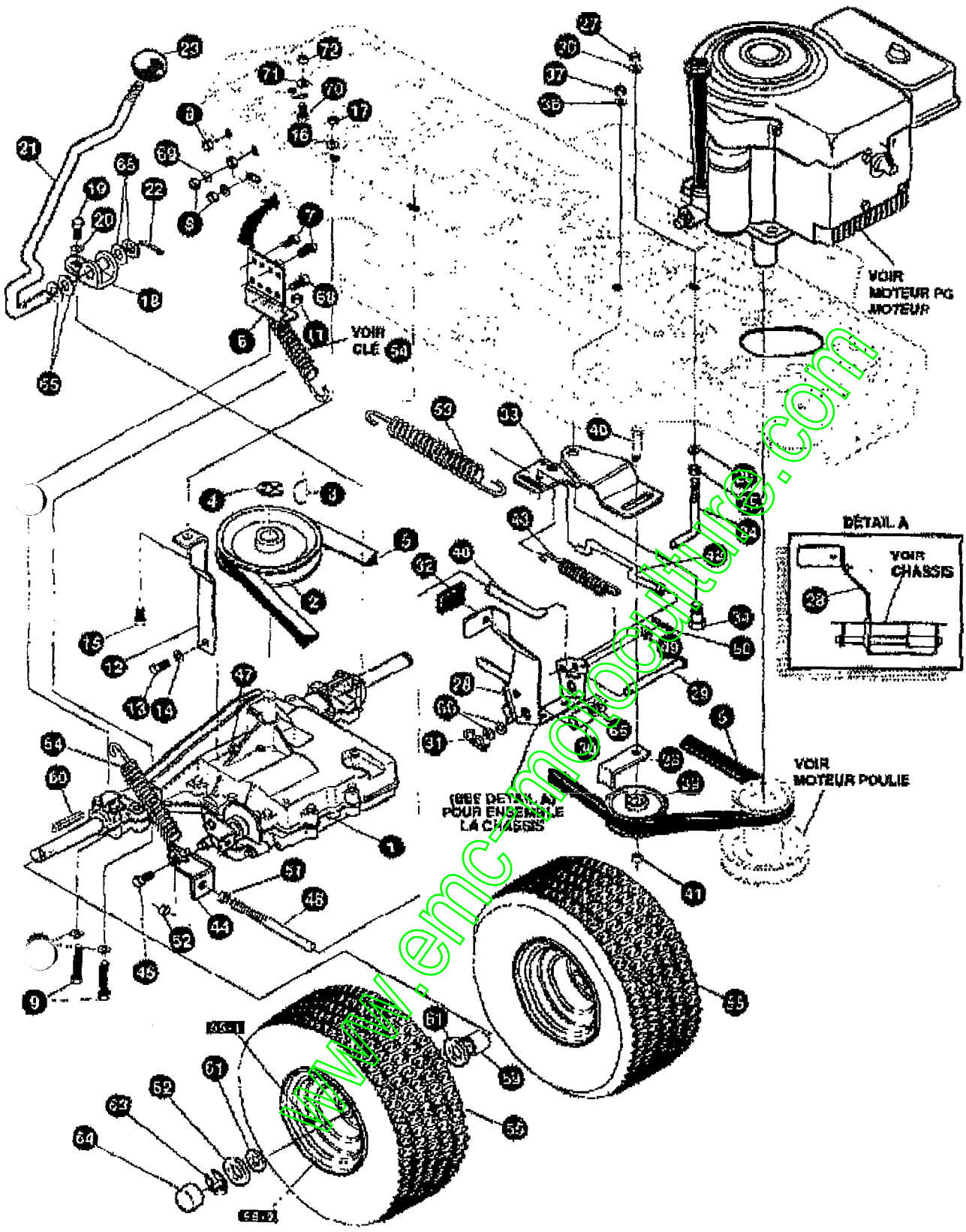
TOUTES LES PIÈCES NON
REFERÉES SONT
INTERCHANGEABLES AVEC
LEURS OPPOSÉS.

327582H

KEY#	PART#	DESCRIPTION	QTY
1	-	AXLE FRONT ASSY, SF LONG	1
1	324915-860	FRONT AXLE	1
2	50846	BRNG. FL 750IDX1.002ODX.75	4
3	310368	SPINDLE ASSY, RH LONG	1
4	36625	RING, RETEX 57X.05TRUS133-75	1
5	310367	SPINDLE ASSY, LH LONG	1
6	327819-853	ARM ASSY FRNT STRNG	1
7	454565	PIN, SPRING 250DIA X 1.25LG HVPL	1
2	302688	ASSY TIE ROD 19.31 LG	1
3	180124	SCREW, 3/8 16X1.25 HHC	2
4	120382	WASHER, REGSPTLK, 393X.68X.10	2
5	1499	NUT, 3/8 16 REGHXCTRLK	2
6	324752	GEAR, SECTOR SF4WS	1
7	333289	PLATE SECTOR	2
8	330021	BUSHING, SECTOR GEAR	1
9	181643	SCREW, 3/8-24X1.50 HHC	1
10	845	WASHER, FLAT 390X1.25X.119	2
11	412349	NUT, 3/8-24 HXCTRLK	1
12	328808	DRAG LINK ASSY 17.59LG	1
12-1	67158	BALL JOINT 3/8 THD SHORT STUD	2
12-2	124925	NUT, 3/8 24 REGHEXJAM	2
12-3	56190	DRAG LINK	1
13	120382	WASHER, REGSPTLK, 393X.68X.10	2
14	120369	NUT, 3/8-24 REGHEX	2
15	327385	SHAFT, PIN STR	1
16	325692	BRNG. FL 50 ID X 1.370ODX	1
17	326505	SCREW 1/4 20X.76 (TO 30-36 FT#)	2
18	46931	NUT, 1/4-20 WDFL MAC-LOCK	2
19	20864	RING, RET E 38X.04TRUS133-50	1
20	64902	BRNG. FL 753ID X 1.370DX.50	1
30	302828	TIRE & RIM, PU 15X6.0X6 TURWHI	2
30-1	24167	VALVE STEM	2
30-2	38829	HUB	2
30-3	314416	BEARING	4
35	642	WASHER, FLAT 755X1.31X.076	4
36	36625	RING, RETEX 57X.05TRUS133-75	2
37	40394	HUB CAP, 1.500ID X 7/8 LG	2
38	180124	SCREW, 3/8-16X1.25 HHC	1
39	120394	WASHER, FLAT 406X.81X.065	2
40	45171	NUT, 3/8-16 HWDFL WHD LOCK ZN	1

www.emc-motors.com

COMMANDE DE PROPULSION



UTILISEZ DES PIÈCES D'ORIGINE POUR CONSERVER L'APPLICATION DE LA GARANTIE.

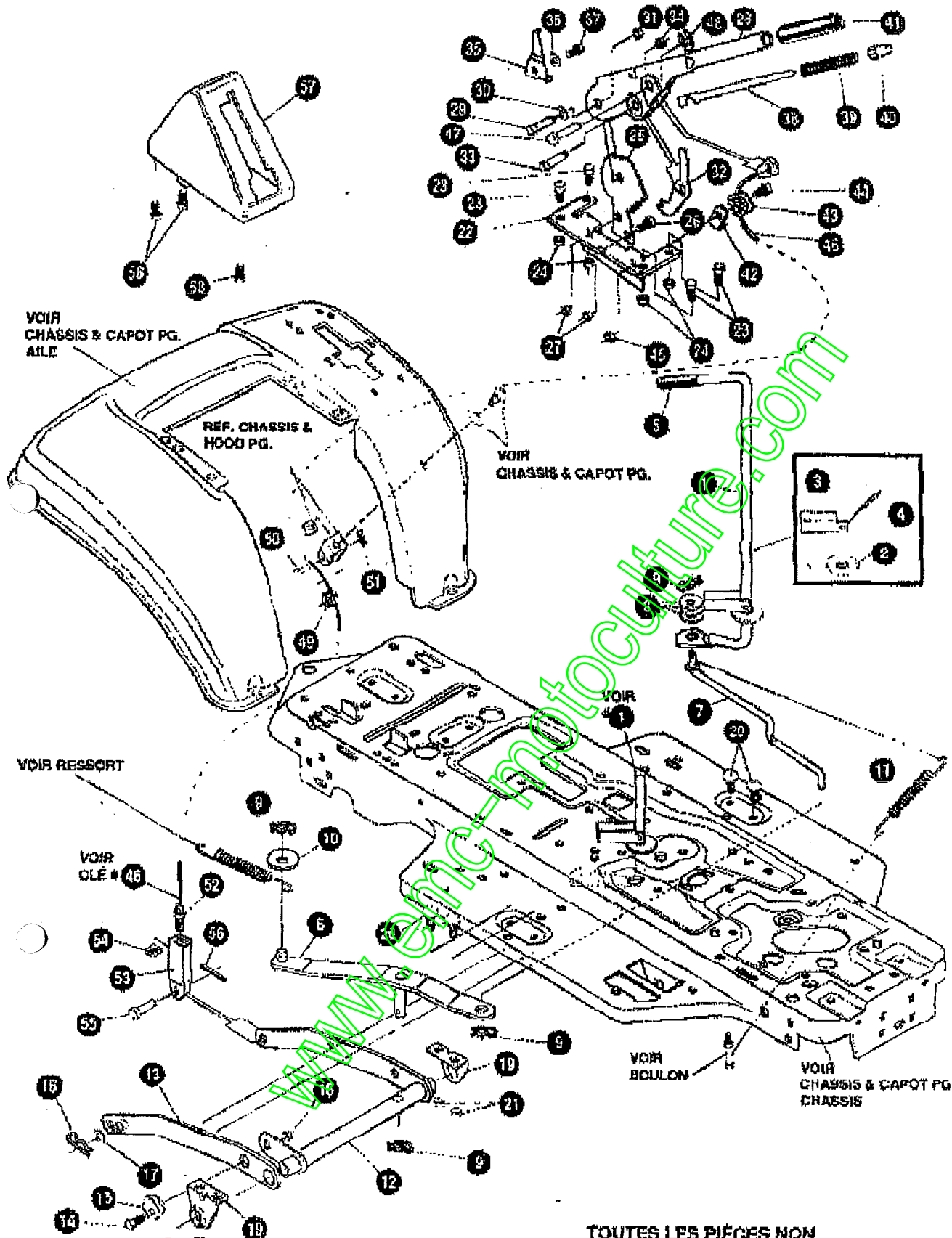
TOUTES LES PIÈCES NON RÉFÉREES SONT INTERCHANGEABLES AVEC LEURS OPPOSÉS.

333081A

38" TONDEUSE AUTOPORTEE MODELE E3554-320

KEY#	PART#	DESCRIPTION	QTY
1	-	TRANSAXLE FOOT 4360-5	1
2	303109	PULLEY, 6.8 OD VAL T/A	1
3	50795	KEY, HI-PRO 606 .75DIA X .187WD	1
4	22053	RING, RETEX .58X.05TRUS100-62	1
5	54759	BELT, Y 4L 82.00 SF DRIVE	1
6	326615-853	BRACKET, TRANSAXLE	2
7	180077	SCREW, 5/16-18X .75 HHC	4
8	1498	NUT, 5/16-18 REGHEXCTRLK	8
9	180091	SCREW, 5/16-18X2.50 HHC	4
10	120393	WASHER, FLAT .344X .65X .065	4
11	1498	NUT, 5/16-18 REGHEXCTRLK	4
12	323126	BRKT, STABILIZER	1
13	35488	SCREW, 5/16-18X .75 WAHHTAP	1
14	120339	WASHER, HVSPTLK .323X .60X .09	1
15	180079	SCREW, 5/16-18X1.00 HHC	1
16	138485	WASHER, EKLK .320X .61X .03	1
17	1498	NUT, 5/16-18 REGHEXCTRLK	1
18	391293	BRACKET, SHIFT F4360	1
19	56255	SCREW, 1/4-28X .75 NYLNHC	1
20	57157	WASHER, .750X .250 SP-TRANSAXLE	1
21	331800	SHIFT LEVER (DANA) 2-PL	1
22	137185	PIN, COTTER .125 DIA X 1.00LG	1
23	55514	KNOB, ROUND 1.50 DIA	1
24	49895	BELT GUIDE	1
25	271164	NUT, 5/16-18 HEXKEPS	1
26	120333	WASHER, FLAT .344X .65X .065	2
27	1498	NUT, 5/16-18 REGHEXCTRLK	1
28	331896	ASSY, PEDAL, BRAKE, CLUTCH	1
29	319876	PIN, CLEVIS .500DX4.87LG	1
30	331972	SPACER, SLEV .63 X .62X1.200	1
31	56180	PIN, HAIR .091 DIA X 1.62LG	1
32	48761	PAD, CLUTCH/BRAKE PEDAL	1
33	321969	IDLER ARM BRKT TRACTION	1
34	320889	BOLT, .625X .135 HSH 5/16-18	1
36	46602	WASHER, FLAT .333X .62X .115	1
37	1498	NUT, 5/16-18 REGHEXCTRLK	1
38	39859	RETAINER, BELT	1
39	85374	PULLEY, IDLER VAL 3.00X .62	1
40	45882	BOLT, 3/8-16X1.50 CAPREN	1
41	1498	NUT, 3/8-16 REGHEXCTRLK	1
42	393175	CLUTCH ROD ASSY, .268 DIA 3.92	1
43	329780	SPRING, 3/4 ODX 2.18 X .055 TENSION	1
44	323127	BRKT, BRAKE ROD	1
45	20507	BOLT, .497X .165 HSH 5/16-18	1
47	1498	NUT, 5/16-18 REGHEXCTRLK	1
48	323222	BRAKE ROD, RIDER	1
49	120393	WASHER, FLAT .344X .60X .065	1
50	121222	PIN, COTTER .090 DIA X .75LG	1
51	271184	NUT, 5/16-18 HEXKEPS	1
52	1498	NUT, 5/16-18 REGHEXCTRLK	1
53	327867	SPRING, 3/4 ODX 7.76X .091 TENSION	1
54	35410	SPRING, .071 X .62 X 4.37	1
55	326363	TIRE & RIM, 20X6.00-8 WHITE 658	2
	TIRE	SEE TIRE TREAD PAGE	
55-1	24167	VALVE STEM	2
55-2	326362	HUB	2
59	57479	SPACER, SLEV .75 X 1.25X 1.32	2
60	52928	KEY, SQUARE .1875OX2.25LG	2
61	642	WASHER, FLAT .755X1.31X .075	4
62	62815	WASHER, FLAT .755X1.53X .07	2
63	36623	RING, RETEX .57X.05TRUS133-75	2
64	40394	HUB CAP, 1.500ID X 7/8LG	2
65	5880	WASHER, FLAT .505X .08X .13	4
68	2968	WASHER, FLAT .504X .75X .059	4
68	327917	SCREW, 5/16 18X1.50HHCFT	4
69	73787	WASHER, FLAT .300X .75X .175	4
70	180022	SCREW, 1/4-20X1.00 HHC	1
71	120360	WASHER, REGSPTLK .263X .49X .07	1
72	120375	NUT, 1/4-20 REGHEX	1

* CONTACT YOUR NEAREST TRANSAXLE DEALER FOR PARTS AND SERVICE.



UTILISEZ DES PIÈCES D'ORIGINE POUR CONSERVER L'APPLICATION DE LA GARANTIE.

TOUTES LES PIÈCES NON REFERÉES SONT INTERCHANGEABLES AVEC LEURS OPPOSÉES.

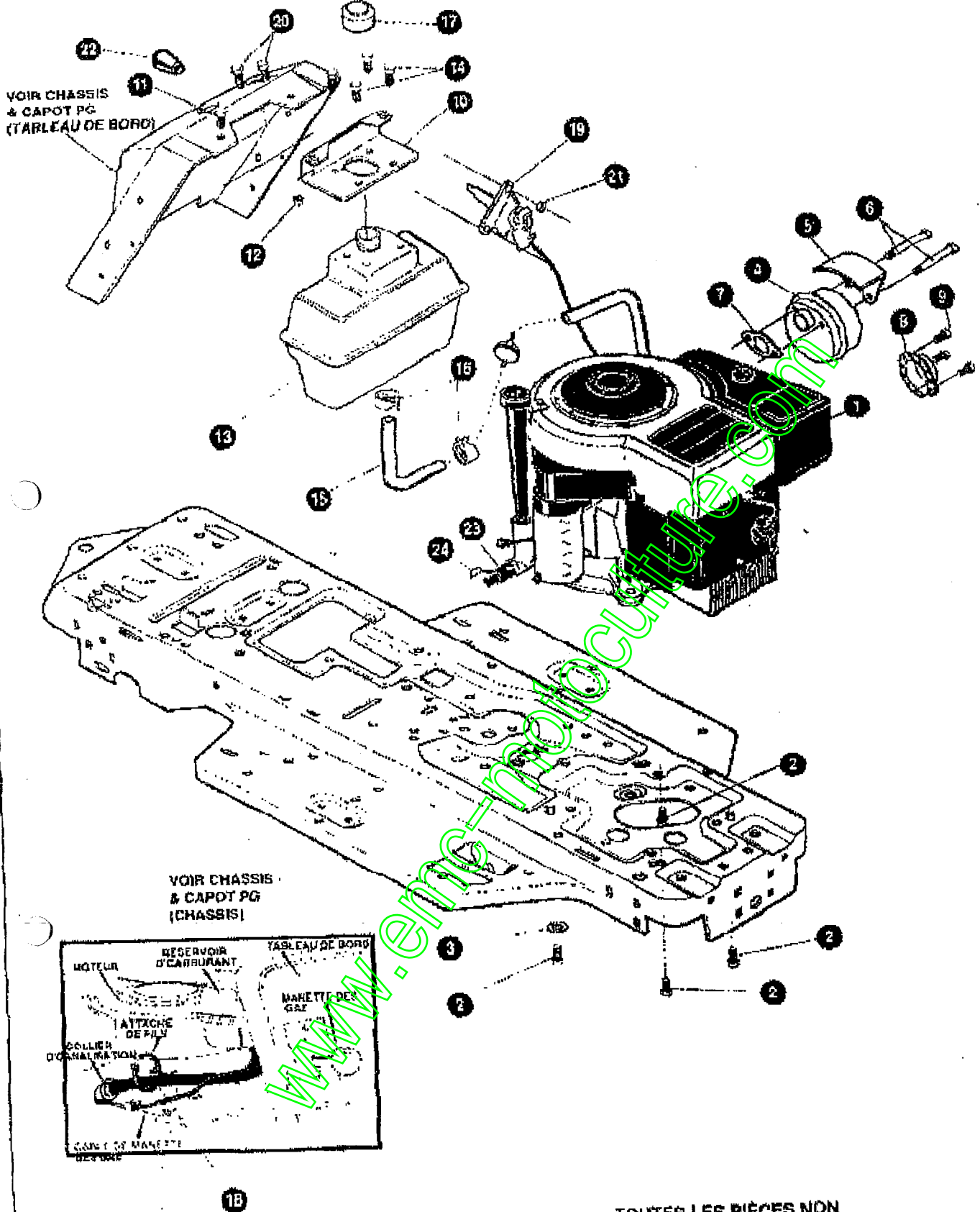
393061A

KEY #	PART # D	DESCRIPTION	QTY.
1	325582	LEVER, CLUTCH RH PTO	1
2	22265	WASHER, FLAT .515X1.38X.118FL	1
3	305225	STOP, PTO ENGAGE	1
4	326386	PIN, SPRING. 1.87DIA X 1.13LG HD	1
5	331624	KNOB, ROUND 1.50DIA CR GRIP	1
6	325587	STRAP ASSY, PTO BELCRANK	1
7	326590	HOD, BELCRANK LINK	1
8	274517	WASHER, FLAT .406X.73X.063	3
9	8260	PIN, HAIR .091 DIA X 1.66LG	4
10	25210	WASHER, FLAT .385X1.25X.08HT	1
11	325808	SPRING, .68X7.75X.089TENSION	1
12	328114-853	LIFT ASSY, LH	1
13	325130-853	LIFT ASSY, RH	1
14	180079	SCREW, 5/16-18X1.00 HHNC	1
15	58247	NUT, ADJUST	1
16	1498	NUT, 5/16-18 REGHEXCTRLK	1
17	417098	WASHER, FLAT .591X1.06X.069	2
18	8260	PIN, HAIR .091 DIA X 1.66LG	2
19	325496-853	BRACKET, REAR HANG SUBP	2
20	330867	BOLT, 5/16-18X1.00 CARR	4
21	1498	NUT, 5/16-18 REGHEXCTRLK	4
22	313926	BRACKET, HEIGHT ADJUST	1
23	180077	SCREW, 5/16-18X.75 HHNC	4
24	1498	NUT, 5/16-18 REGHEXCTRLK	1
25	301238	QUADRANT, HEIGHT ADJUST	1
26	180077	SCREW, 5/16-18X.75 HHNC	2
27	1498	NUT, 5/16-18 REGHEXCTRLK	2
28	322292-853	HANDLE, LIFT SHORT	1
29	300171	BOLT, .500X.270 HSSH 5/16-18	1
30	996418	WASHER, FLAT .506X.75X.024	1
31	44108	NUT, 5/16-18 HWDFLCTRLK	1
32	301239	PAWL, SQUARE	1
33	300171	BOLT, .500X.270 HSSH 5/16-18	1
34	44108	NUT, 5/16-18 HWDFLCTRLK	1
35	9435	POINTER, HEIGHT ADJ	1
36	138479	WASHER, EXLK .106X.41X.03	1
37	35287	SCREW, #8-32X.38 HHWATAP	1
38	303027	HOD, ACTUATOR-SHORT	1
39	58326	SPRING, HEIGHT ADJUST	1
40	58325	KNOB, HEIGHT ADJ PUSH BUTTON	1
41	58329	GRIP, 750 CR W/ROD	1
42	9149	BRKT, CABLE RETAIN	1
43	48306	PULLEY, POWDER METAL	1
44	58336	BOLT, .375X.375 HSSH 1/4-20	1
45	1502	NUT, 1/4-20 REGHEXCTRLK	1
46	321430	CABLE, LIFT 21.50	1
47	300310	PIN, CLEVIS .310DIA, .475LG ZPL	1
48	300311	RING, PCT.E .31X.25TRUX5199-31	1
48	48306	PULLEY, POWDER METAL	1
50	300317	PIN, CLEVIS .375DIA X .81 LG	1
51	8260	PIN, HAIR .091 DIA X 1.66LG	1
52	120375	NUT, 1/4-20 REGHEX	1
53	9405	CLEVIS, LIFT CABLE	1
54	120372	NUT, 1/4-20 REGSQ	1
55	89522	PIN, CLEVIS .312 X .812	1
56	121222	PIN, COTTER .090 DIA X .75LG	1
57	300335	LIFT COVER	1
58	300240	SCREW, #10 X .75 HHPLAST	3

WWW.CAMPBELL.COM

38" TONDEUSE AUTOPORTEEE MODELE ES500

MOTEUR ET COMMANDE



VOIR CHASSIS & CAPOT PG (TABLEAU DE BORD)

VOIR CHASSIS & CAPOT PG (CHASSIS)

UTILISEZ DES PIÈCES D'ORIGINE POUR CONSERVER L'APPLICATION DE LA GARANTIE.

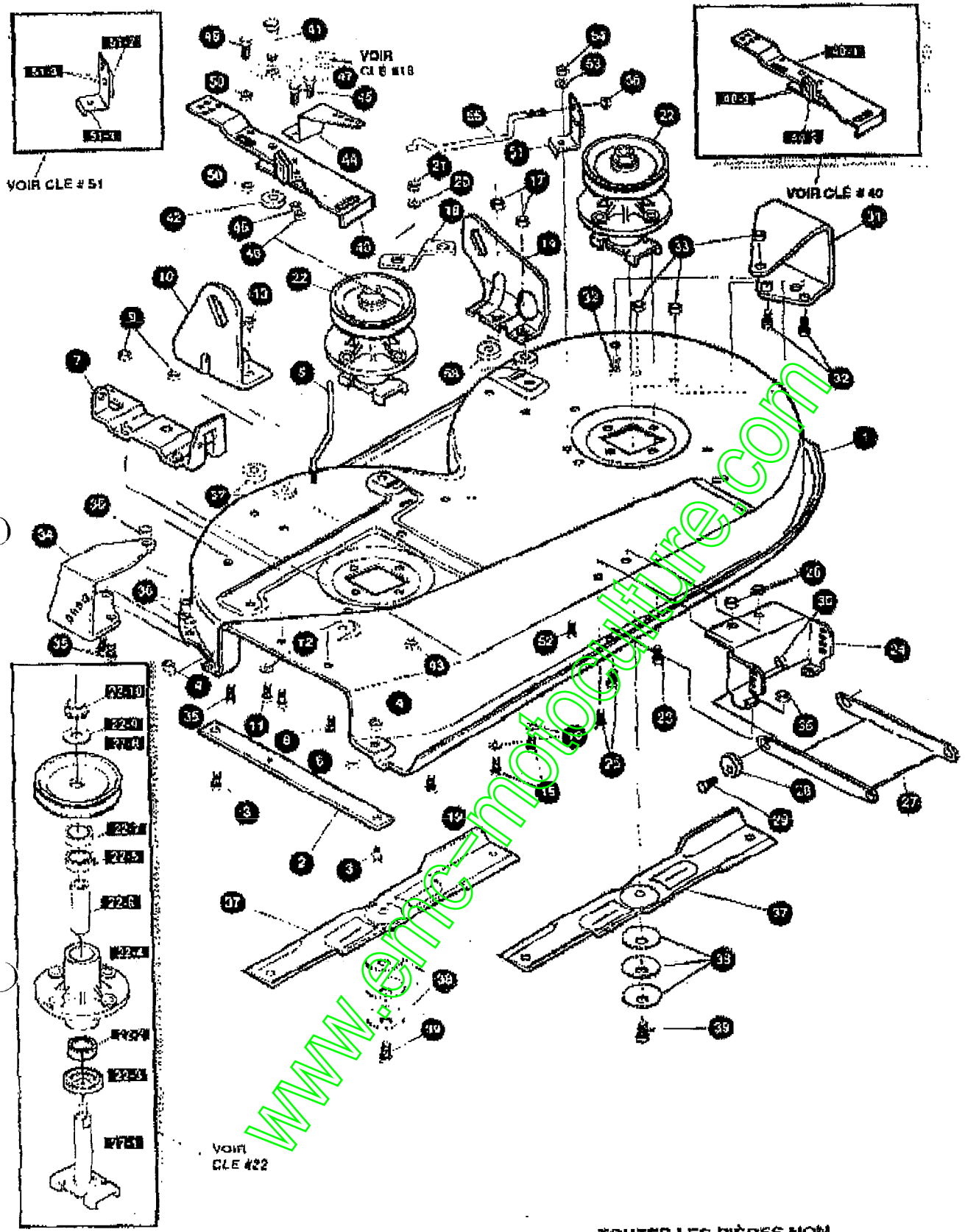
TOUTES LES PIÈCES NON RÉFÉREES SONT INTERCHANGÉABLES AVEC LEURS OPPOSÉS.

333014A

KEY#	PART#	DESCRIPTION	QTY
1	ENGINE	ENGINE, 12-12.5HP BS IC DUAL	1
2	50947	SCREW, 3/8-16X1.25 WAHHTAPBLKP	4
3	138489	WASHER, EXLK 384X.69X.04	1
4	57908	MUFFLER DOMEXP ROUND	1
5	54767	SHIELD, HEAT, FOR ROUND MUFFLER	1
6	54980	SCREW, 5/16-18X1.50 HHC	2
7	46708	GASKET, MUFFLER	1
8	323423	DEFLECTOR, MUFFLER PARTIAL	1
9	35287	SCREW, #8 32X .39 HHWATAP	3
10	302814-BS3	BRACKET, GAS TANK	1
11	180020	SCREW, 1/4-20X .75 HHC	2
12	50352	NUT, 1/4-20 WDFLLK TOPLOCK	2
13	014909	TANK, FUEL 1 GAL CLEAR	1
14	300303	SCREW, 25X.75X.51HHWAPLASTITE	4
15	47452	TUBING, .25X.50X BULK GAS LINE	15
16	48672	CLAMP, FUEL LINE	2
17	45704	CAP, GAS 1-1/2-7 THD BLK	1
18	57444	TIE, CABLE BLACK NYLON 5.62L	1
19	320031	THROTTLE CONTROL	1
20	274707	SCREW, 10-24X .50 WAHMA	2
21	308459	NUT, #10-24 HXHONYLK	2
22	50607	KNOB, ROUND THROTTLE	1
23	325547	OIL DRAIN VALVE ASSEMBLY	1
24	327422	CAP, OIL DRAIN VALVE ASM YELLOW	1

www.emc-motoculture.com

BOÎTER DE TONDEUSE PEINT



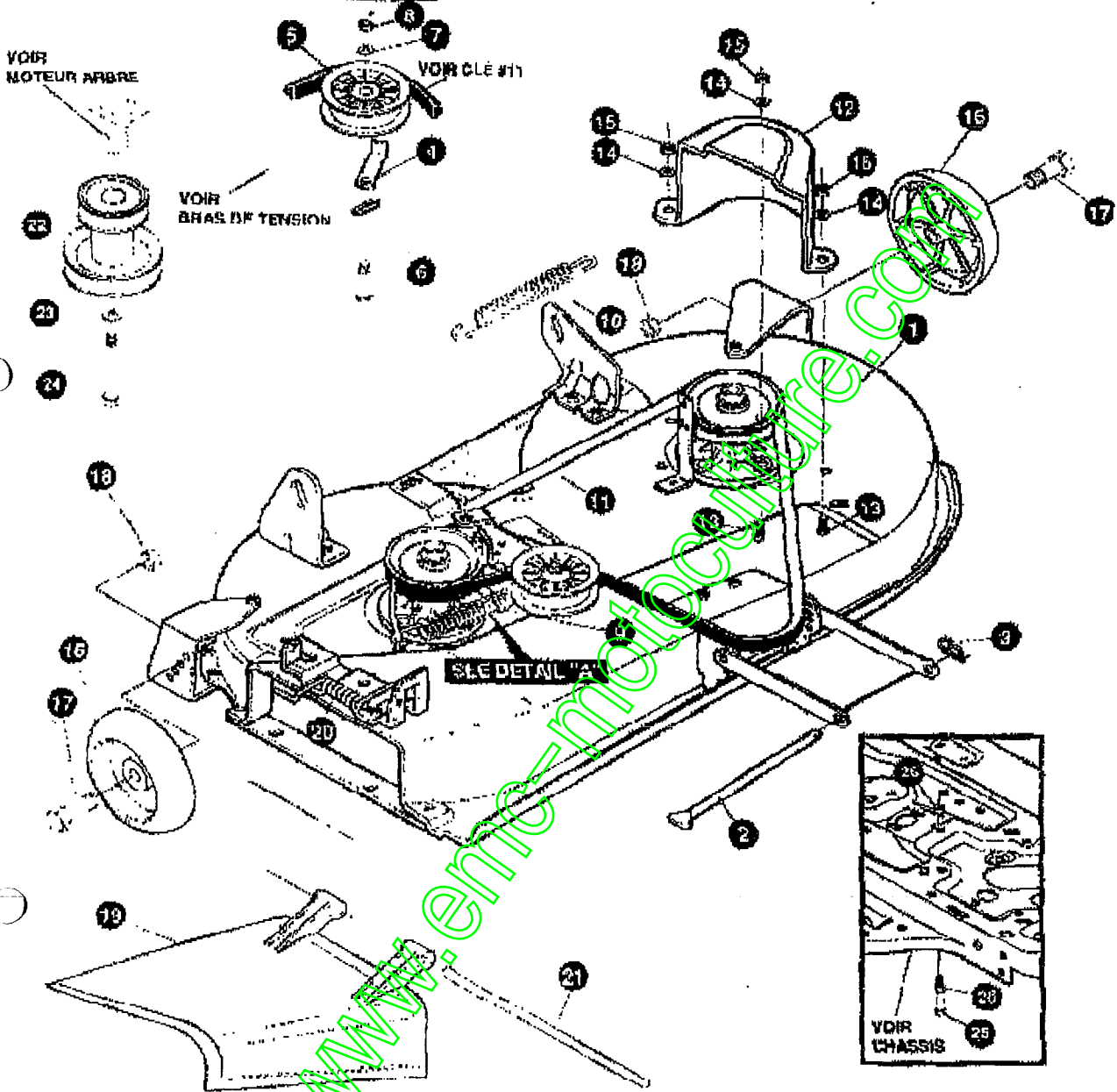
UTILISEZ DES PIÈCES D'ORIGINE POUR CONSERVER L'APPLICATION DE LA GARANTIE.

TOUTES LES PIÈCES NON REFÉRÉES SONT INTERCHANGEABLES AVEC LEURS OPPOSÉS.

333272A

KEY #	PART #	DESCRIPTION	QTY
1	325106	DECK, MOWER KIT	1
2	326295	BAR, SKID	1
3	126216	BOLT, 5/16-18X .75 CARBLN	2
4	271184	NUT, 5/16-18 HEXKEPS	2
5	57318	GUIDE, BELT 5/16-18 THD	1
6	1498	NUT, 5/16-18 REGHEXCTRLK	1
7	313928	BRACKET, CHUTE	1
8	180073	SCREW, 5/16-18X .50 HHC	2
9	1498	NUT, 5/16-18 REGHEXCTRLK	2
10	313929	BRACKET, RH LIFT REAR	1
11	180081	SCREW, 5/16-18X1.25 HHC	2
12	120393	WASHER, FLAT .344X .69X.065	2
13	1498	NUT, 5/16-18 REGHEXCTRLK	2
14	310667	BRACKET, LH LIFT REAR	1
15	180081	SCREW, 5/16-18X1.25 HHC	2
16	120393	WASHER, FLAT .344X .69X.065	2
17	1498	NUT, 5/16-18 REGHEXCTRLK	2
18	315302	BRACKET, IDLER SUPPORT	1
19	300345	SCREW, 5/16-18X1.38 WASH TAP	1
20	120393	WASHER, FLAT .344X .69X.065	1
21	1498	NUT, 5/16-18 REGHEXCTRLK	1
22	55424	QUILL ASSY	2
22-1	55425	SHAFT/SADDLE	1
22-2	49562	BRNG. BALL 6203 2AA(SEALS)-C3	1
22-3	50616	DUST SHIELD	1
22-4	55347	QUILL CASTING (1045)	1
22-5	49562	BRNG. BALL 6203-2AA(SEALS)-C3	1
22-6	50818	SPACER, SLEV .669X .58X3.797	1
22-7	51449	SPACER, SLEV .672X .93X 4.88PM	1
22-8	313698	PULLEY, 26/35" QUILL VSL	1
22-9	66366	WASHER, SPECIAL QUILL	1
22-10	1282	NUT, 7/16 20 WDFLLK	1
23	35496	SCREW, 5/16-18X .75 WASH TAP	8
24	312526	SUPPORT, LIFT DECK FRONT	1
25	180077	SCREW, 5/16-18X .75 HHC	4
26	1498	NUT, 5/16-18 REGHEXCTRLK	4
27	58305	BRACKET, LINK DECK FRONT	1
28	58247	NUT, ADJUST	2
29	180079	SCREW, 5/16-18X1.00	2
30	1498	NUT, 5/16-18 REGHEXCTRLK	2
31	312477	BRACKET, LH WHEEL	1
32	180077	SCREW, 5/16-18X .75 HHC	3
33	1498	NUT, 5/16-18 REGHEXCTRLK	3
34	300102	WHEEL BRKT. RH	1
35	180077	SCREW, 5/16-18X .75 HHC	3
36	1498	NUT, 5/16-18 REGHEXCTRLK	3
37	309069	BLADE, 19 69 LOW-LIFT	2
38	2483	WASHER, 3/16X1.25X.07 BELLVIL	6
39	39573	SCREW, 3/8-24X1.00 NYLHHC	2
40	300491	IDLER ARM ASSEMBLY	1
40-1	300490	IDLER ARM	1
40-2	306973	BRAKE PAD HARD-232AF	1
40-3	41601	RIVET, OVSET, 18/DIA X 50LG ST	2
41	300180	BOLT, .50 X1.00 HSH 3/8-16	1
42	096416	WASHER, FLAT .391X1.00X.125	1
43	45171	NUT, 3/8-16 HWDFL WHIZ-LOCK	1
44	326249	BRACKET, EXTENSION IDLER	1
45	180077	SCREW, 5/16-18X .75 HHC	1
46	1498	NUT, 5/16-18 REGHEXCTRLK	1
47	180020	SCREW, 1/4-20X .75 HHC	1
48	1502	NUT, 1/4-20 REGHEXCTRLK	1
49	121954	SCREW, 1/4-20X2.00 HHC	1
50	271172	NUT, 1/4-20 REGHEXKEPS	2
51	303248	ASSY BLADE BRAKE	1
52-1	303248	BRAKE ARM	1
52-2	306973	BRAKE PAD HARD-232AF	1
52-3	135624	RIVET TRSLT 18/DIA X 41LG ST	2
53	180077	SCREW, 5/16-18X .75 HHC	1
54	120393	WASHER, FLAT .344X .69X.065	1
55	1498	NUT, 5/16-18 REGHEXCTRLK	1
56	300316	ROD BRAKE RELEASE-14 7 39DECK	1
57	1502	NUT, 1/4-20 REGHEXCTRLK	1
58	314702	SPACER, SLEV .344X1.00X.500PM	2
59	314702	SPACER, SLEV .344X1.00X.500PM	2

BOÎTER DE TONDEUSE



UTILISEZ DES PIÈCES D'ORIGINE POUR CONSERVER L'APPLICATION DE LA GARANTIE.

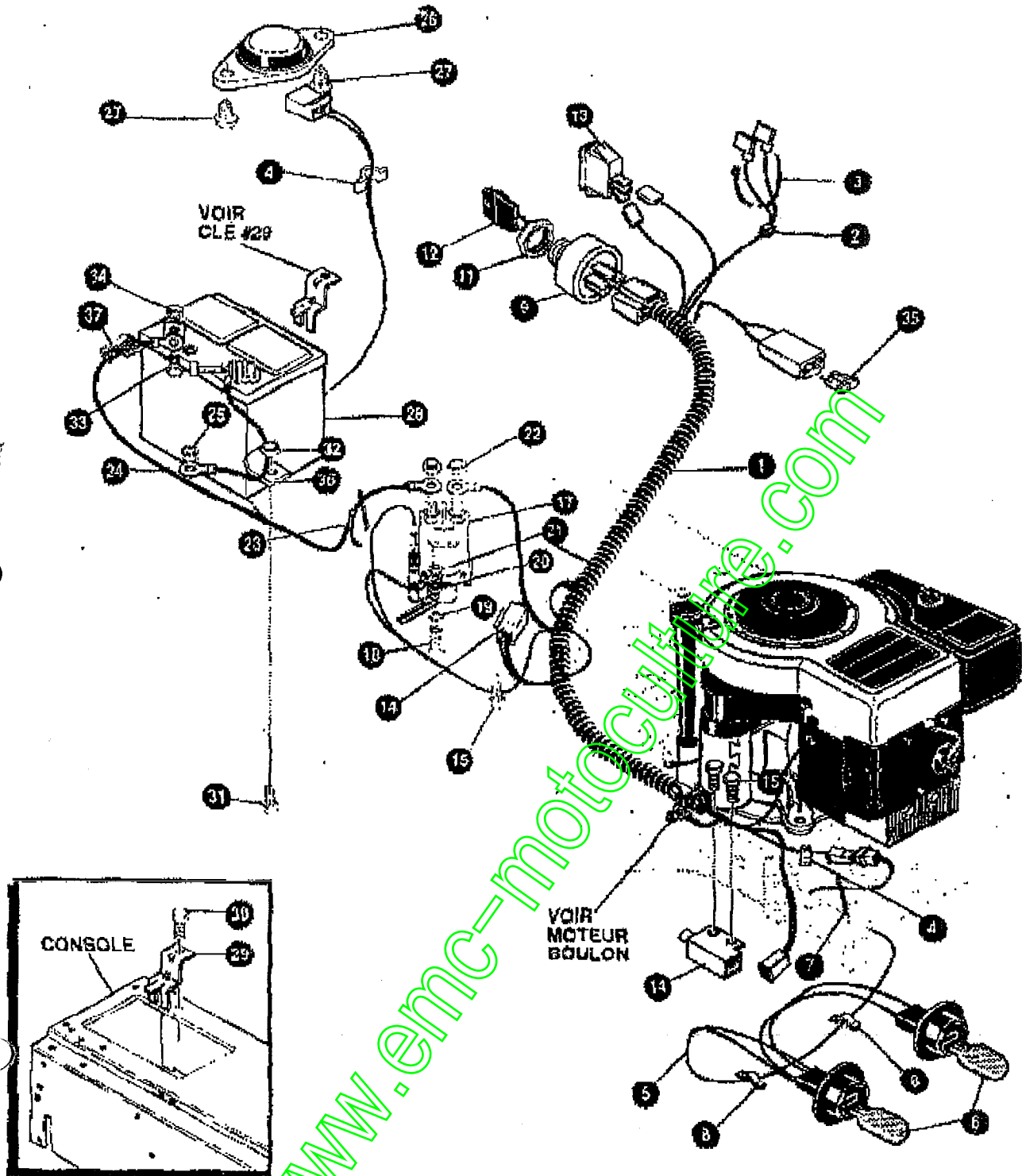
TOUTES LES PIÈCES NON RÉFÉREES SONT INTERCHANGEABLES AVEC LEURS OPPOSÉS.

333274A

KEY#	PART#	DESCRIPTION	QTY
1	*	ASSY DECK SF 38"BD	1
2	58306	ROD, DECK HITCH Z-PL	1
3	8260	PIN, HAR. .091 DIA X 1.56 LG	1
4	1348	RETAINER, BELT	1
5	910926	PULLEY, IDLER BFF 4.00 WIDE FL	1
6	67325	BOLT, 3/8-16 X 2.00 CARBEN	1
7	120382	WASHER, REGSPYTK. 393X.65X.10	1
8	120377	NUT, 3/8-16 REGHX	1
9	322064	SPRING, .75X.84X.105 TENSION	1
10	326256	SPRING, .75X1.0.0X.105 TENSION	1
11	300889	BELT, V 5L 77.75 KEVLAR	1
12	328257	GUARD, BELT LH PLASTIC	1
13	180077	SCREW, 5/16-18 X .75 HHC	3
14	120393	WASHER, FLAT .344X.69X.085	3
15	1498	NUT, 5/16-18 REGHXCTRLK	3
16	302811	GAUGE WHEEL, EURO 5.000D X 1.39WD	2
17	23763	BOLT, .500 X 1.390 HSSH 3/8-16	2
18	1499	NUT, 3/8-16 REGHXCTRLK	2
19	57818	CHUTE DEFLECTOR	1
20	314875	SPRING, TORSION CHUTE DEFLECTOR	1
21	57317	PIVOT ROD, CHUTE	1
22	328034	PULLEY, ENG V3L 4.00 OFFSET	1
23	120383	WASHER, REGSPYTK. 468X.78X.12	1
24	433146	SCREW, 7/16-20 X .25 HHC	1
25	180128	SCREW, 3/8-16 X 1.75 HHC	1
26	1499	NUT, 3/8-16 REGHXCTRLK	2

www.emc-motoculture.com

ÉQUIPEMENT ÉLECTRIQUE



UTILISEZ DES PIÈCES D'ORIGINE POUR CONSERVER L'APPLICATION DE LA GARANTIE.

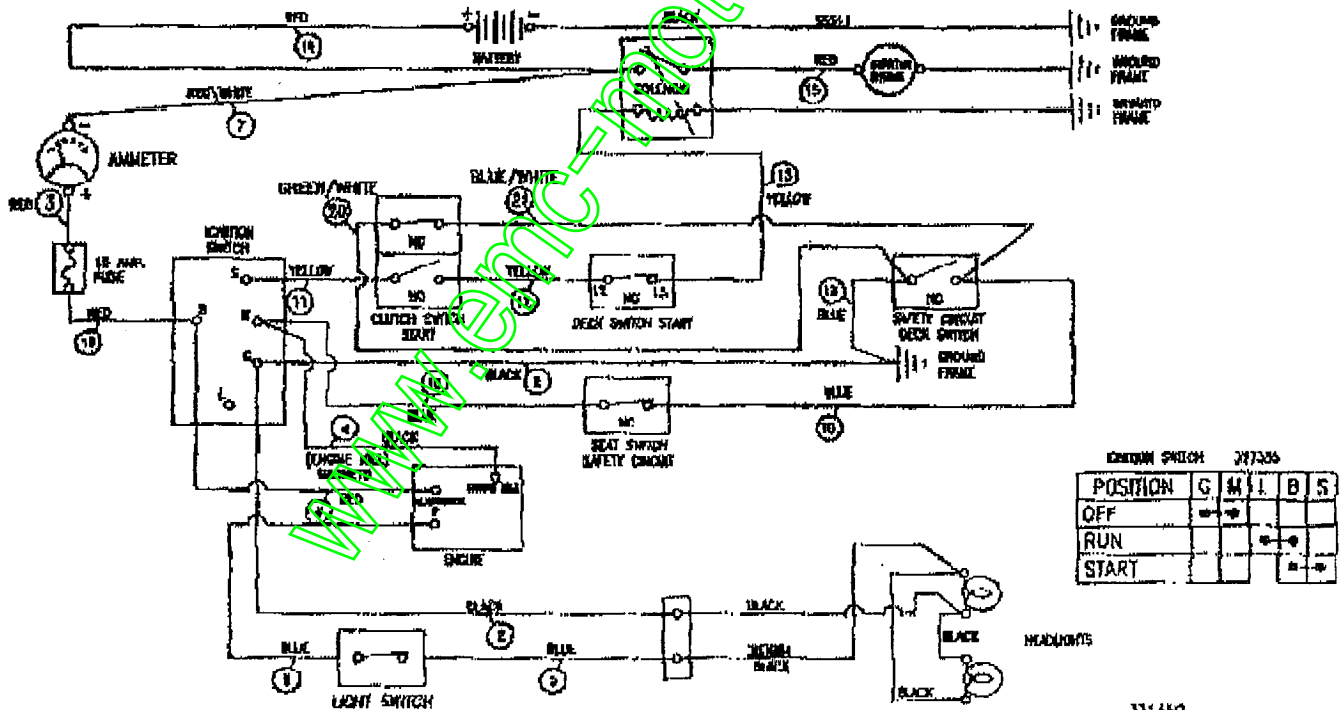
TOUTES LES PIÈCES NON RÉFÉRÉES SONT INTERCHANGEABLES AVEC LEURS OPPOSÉES.

332009A

38" TONDEUSE AUTOPORTEEE MODELE 3355473740

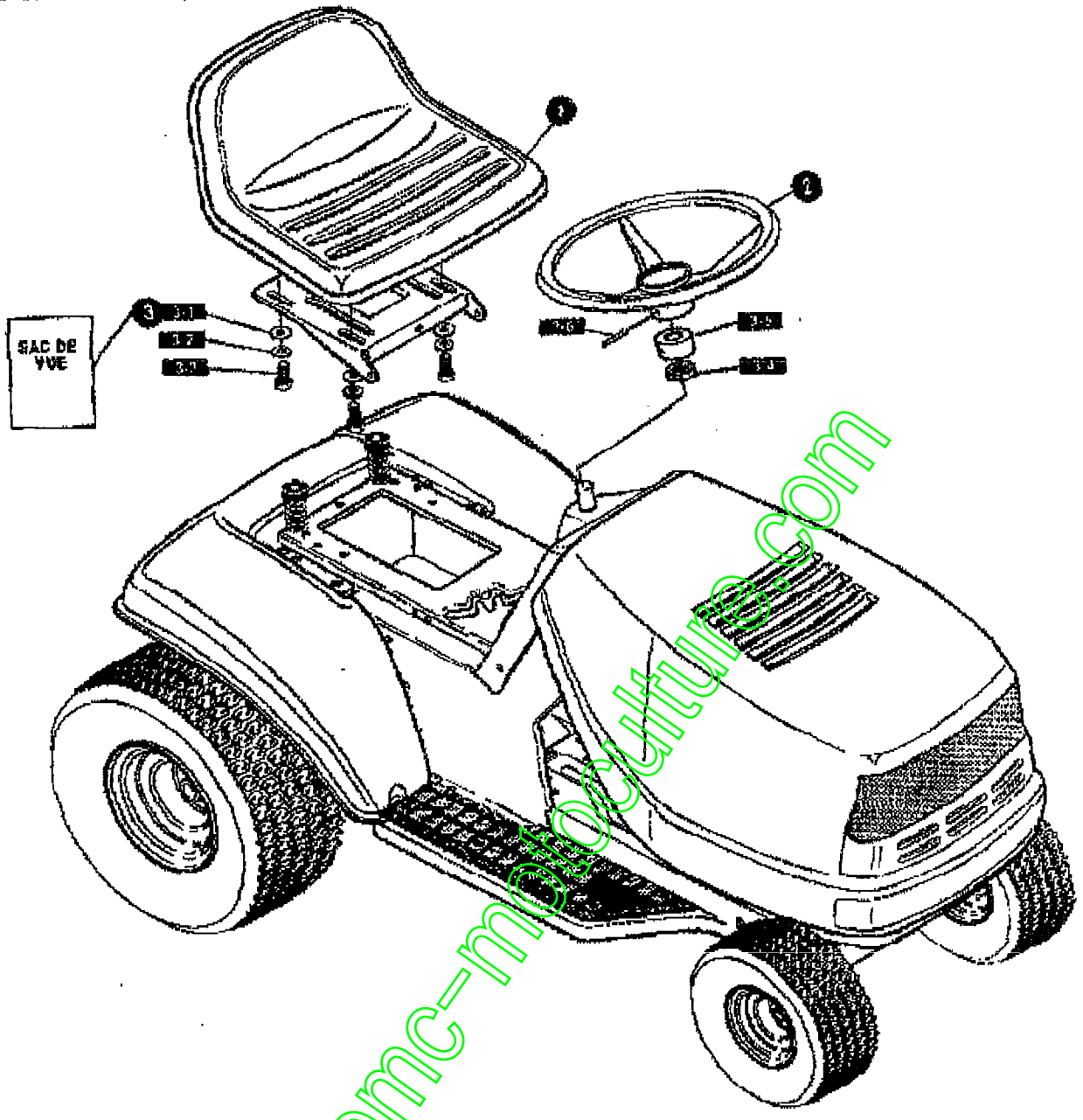
KEY#	PART#	DESCRIPTION	QTY
1	331450	WIRE HAHNESS	1
2	32225B	SPLICER	1
3	57444	TIE, CABLE BLACK NYLON 5.62L	1
4	41482	PRESS CLIP, 1.380LG .255ID	2
5	30208A	ASSY LIGHT WIRE 1/4 TURN	1
6	52572	BULB, HEADLAMP	2
7	57444	TIE, CABLE BLACK NYLON 5.62L	1
8	41482	PRESS CLIP, 1.380LG .255ID	2
9	327355	SWITCH IGN.(AFTER FIRE) 3 POSN	1
11	387352	NUT, 5/8-8 ACME DELTA FOR BOOT	1
12	387350	KEY, IGNITION	1
13	350394	LIGHT SWITCH ON/OFF PANEL MNT	1
14	57476	SWITCH, SCR MNT DP NC NO BLK	2
15	300302	SCREW, #10 X .50 HHTAPPST BLK	4
17	53716	SOLENOID	1
18	187745	SCREW, 1/4-20X .75 HXSEMMA	2
19	1084	WASHER, FLAT .261X1.00X.063PL	1
20	1502	NUT, 1/4-20 REGHEXGTRLK	2
21	271172	NUT, 1/4-20 REGHEXKEPS	1
22	271187	NUT, 5/16-24 HKEPS	2
23	57444	TIE, CABLE BLACK NYLON 5.62L	1
24	55511	WIRE GROUND, 12 5'	1
25	271184	NUT, 5/16-18 HEXKEPS	1
26	57547	SWITCH, SEAT	2
27	160505	SCREW, 1/4-20X .50 PHPHNHMA	2
28	302257	BATTERY, 12V	1
29	329175	BATTERY BRACKET	1
30	995346	SCREW, 1/4-20X .50 WAHHTAP	1
31	107745	SCREW, 1/4-20X .75 HXSEMMA	1
32	1502	NUT, 1/4-20 REGHEXGTRLK	1
33	180020	SCREW, 1/4-20X .75 HHC	2
34	271172	NUT, 1/4-20 REGHEXKEPS	2
35	302031	FUSE SPADE TYPE 32V 15A	1
36	9149	BRKT, CABLE RETAINER	1
37	308201	INSULATOR, BATTERY BOOT EURO	1

SCHEMATIC WIRING



331450

CHALAND ENSEMBLE



KEY#	PART#	DESCRIPTION	QTY
1	302314	SEAT, MICHIGAN W/SW HOLE	1
2	335610	STEERING WHEEL	1
3		PARTS BAG ASSY SEAT/STEER	1
1-1	120393	WASHER, FLAT .344X.69X.065	4
1-2	120638	WASHER, HVSP TLK .328X.60X.09	4
1-3	122007	SCREW, 5/16-18X .75 HHC	4
1-4	331322	COVER, STEERING SHAFT	1
1-5	301413	SPAGER, STEERING SHAFT	1
1-6	456378	PIN, SPRING .250DIA X 2.00LG HVPL	1
		BATTERY ACID PACK, 80 OZ	1

* MAY BE PURCHASED AT LOCAL HARDWARE STORES.

327AN5E

www.emc-motoculture.com