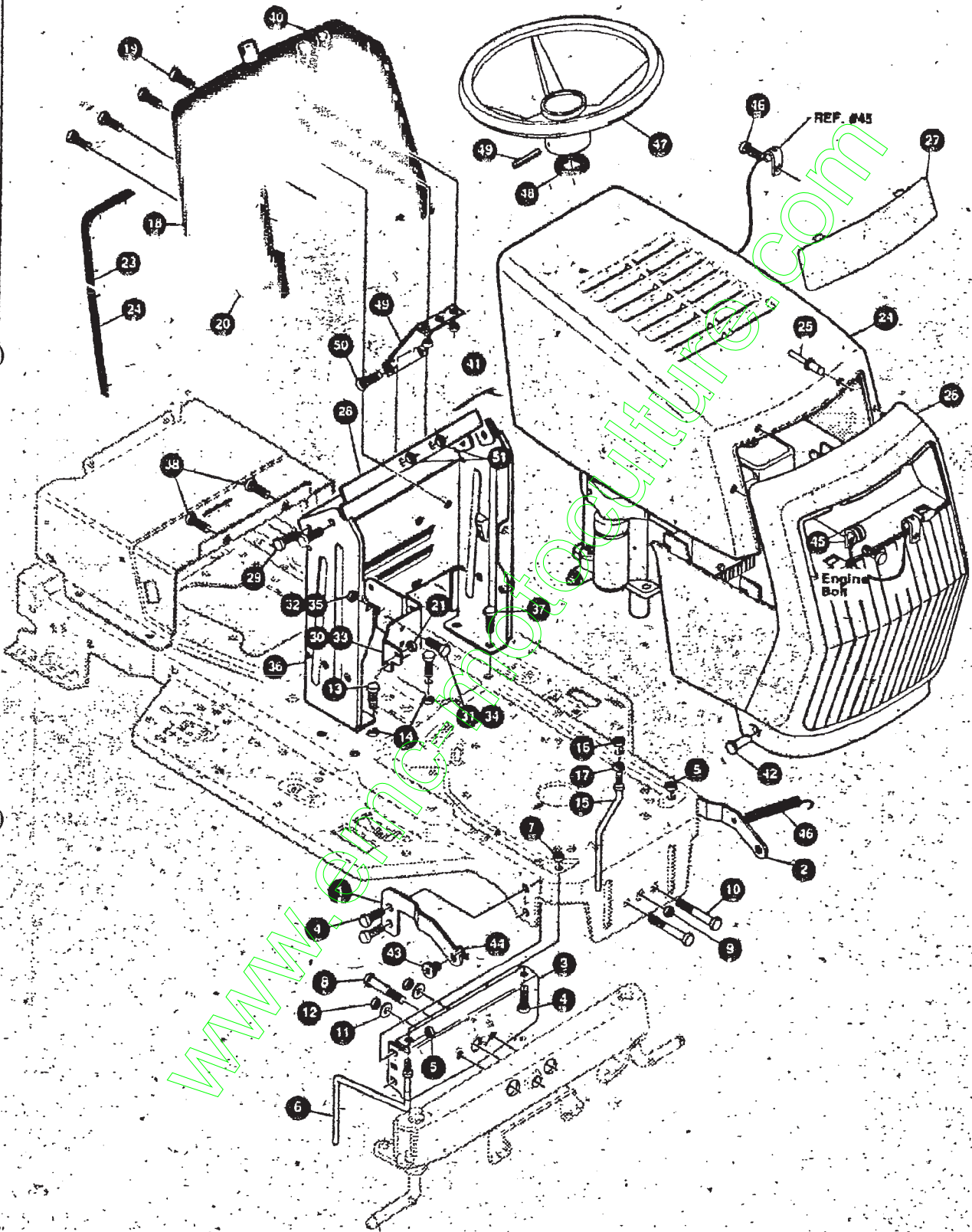


TRACTEUR TONDEUSE 40" MODELE E3560-170

ENSEMBLE CHASSIS & CAPOT (AVANT)



UTILISEZ DES PIÈCES D'ORIGINE POUR CONSERVER L'APPLICATION DE LA GARANTIE.

TOUTES LES PIÈCES NON REFERÉES SONT INTERCHANGEABLES AVEC LEURS OPPOSÉS.

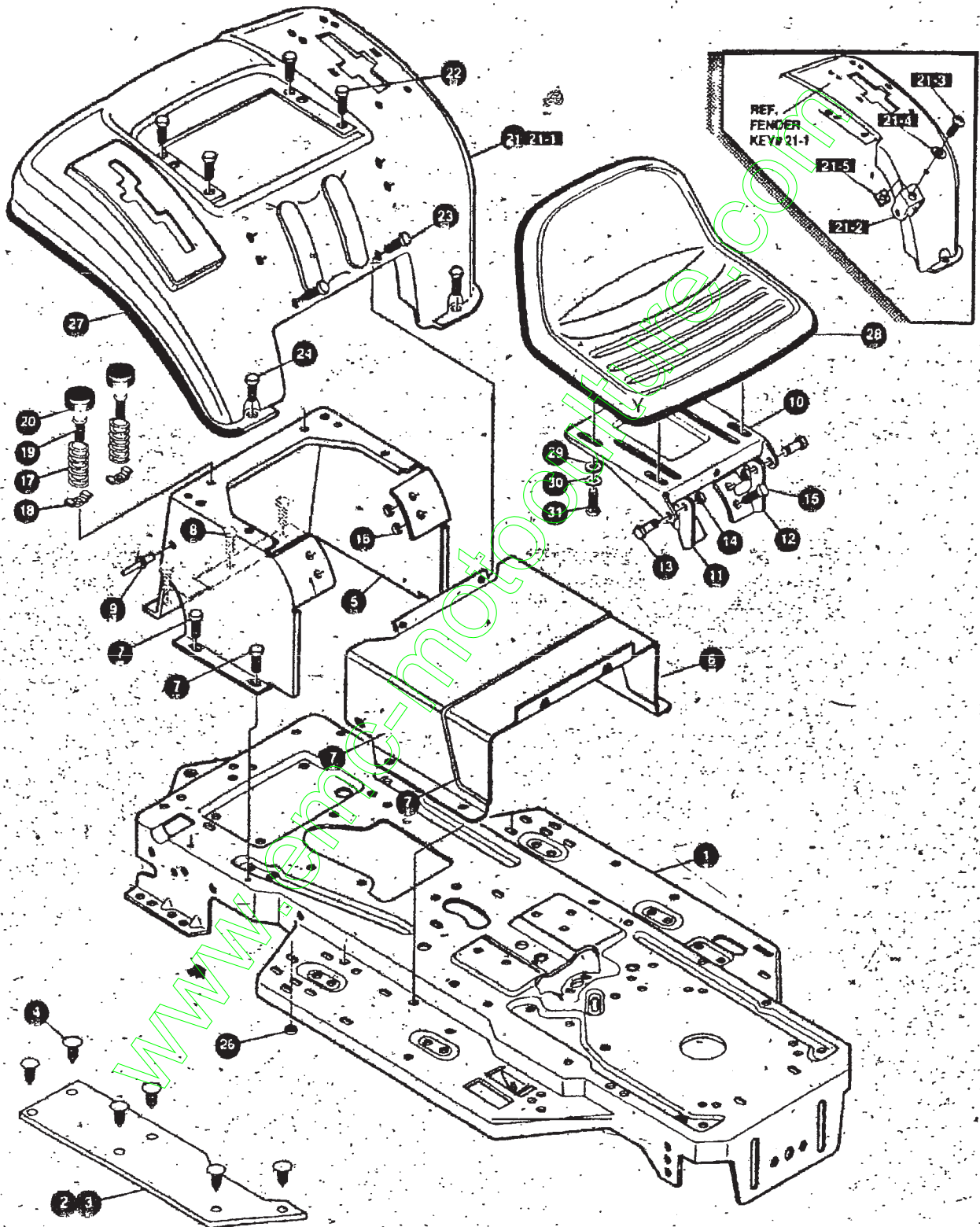
331759.A

TRACTEUR TONDEUSE 40" MODELE E3560-170

KEY#	PART#	DESCRIPTION	QTY
1	326203-853	BRKT,HOOD LF G21/22/23/24	1
2	326204-853	BRKT,HOOD LF G19/21/22/23	1
3	313541853	BRACKET, FRONT AXLE	1
4	56030	SCREW, 5/16-18X.75WDFLLK	1
5	55273	NUT, 5/16-18 HXWDFLLK	1
6	300440	GUIDE, BELT, RIDER	1
7	1498	NUT, 5/16-18 REGHEXCTRLK	1
8	308207	BOLT, .625X2.18 HSH 1/2-13	1
9	309008	NUT, 1/2-13 HEXJAMCTRLK	1
10	1 2 2 2 0 7	SCREW, 3/8-16X3.00 HHC	2
11	2483	WASHER, 39IDX1.25DX.07 BELLVIL	2
12	1499	NUT, 3/8-16 REGHEXCTRLK	2
13	180079	SCREW, 5/16-18X1.00 HHC	2
14	1498	NUT, 5/16-18 REGHEXCTRLK	2
15	300635	GUIDE,BELT SHORT 15" WHEEL	1
16	124824	NUT, 5/16-18HEXJAM	1
17	271190	NUT, 3/8-16 HEXKEPS	1
18	329306	DASH,W/O CHOKE,AMM,H-PTO	1
19	318304	SCREW, 1/4-14X .75PHPNHDTP BLK	4
20	155941	SCREW, 10-24X.63 PHFLTMA	2
21	308459	NUT, #10-24 HXHDNYLK	2
22	328141	BUMPER,HOOD/DASH TOP & CORNER	2
23	328142	BUMPER,HOOD/DASH SIDE STRIP	2
24	331768	HOOD,H25 LF/SF,MOLDED,LOUVERS	1
25	329238	RIVET, POP 3/16DIA X .75 LG FLG	4
26	326794	'J' GRILLE G24 MOLDED PLSTK	1
27	326960	LENS FOR 'L'G21 & 'J'G24 GRILL	1
28	324909-853	SUPPORT,STEERING/PTO LF	1
29	40886	SCREW, 1/4-20X .38 WAHTAP	4
30	326320-853	BRACKET, DASH/TANK LF RH	1
31	180018	SCREW, 1/4-20X .62 HHC	1
32	1502	NUT, 1/4-20 REGHEXCTRLK	1
33	326321-853	BRACKET, DASH/TANK LF LH	1
34	180018	SCREW, 1/4-20X .62 HHC	1
35	1502	NUT, 1/4-20 REGHEXCTRLK	1
36	324908-854	DASH,TOWER WALK THRU LF	1
37	35497	SCREW, 5/16-18X .50 WAHTAP	3
38	995346	SCREW, 1/4-20X .50 WAHTAP	2
39	327039-853	DASH,SUPPORT BRACKET STEEL	1
40	155941	SCREW, 10-24X.63 PHFLTMA	4
41	308459	NUT, #10-24 HXHDNYLK	4
42	323044	PIN, CLEVIS .500 X .49/51LGTH	2
43	326522	BRNG HOOD .505IDX.625ODX1.12FL	2
44	8260	PIN, HAIR .091 DIA X 1.66LG	2
45	310748	LANYARD,HOOD 15 77LG H15	1
46	49050	SCREW, 1/4-10X .75PHPNTAP	1
46	304784	SPRING, HOOD LATCH	1
47	330510	STEERING WHEEL	1
48	301413	SPACER, STEERING SHAFT	1
49	456378	PIN, SPRING.250DIA X 2.00LG	1
50	180018	SCREW, 1/4-20X .62 HHC	2
51	1502	NUT, 1/4-20 REGHEXCTRLK	2
52	332373	PARTS MANUAL	1
53	332369	OPERATOR'S MANUAL	1

TRACTEUR TONDEUSE 40" MODELE E3560-170

ENSEMBLE CHASSIS & CAPOT (ARRIERE)



REF. FENDER KEY# 21-1

UTILISEZ DES PIÈCES D'ORIGINE POUR CONSERVER L'APPLICATION DE LA GARANTIE.

TOUTES LES PIÈCES NON REFEREES SONT INTERCHANGEABLES AVEC LEURS OPPOSEES.

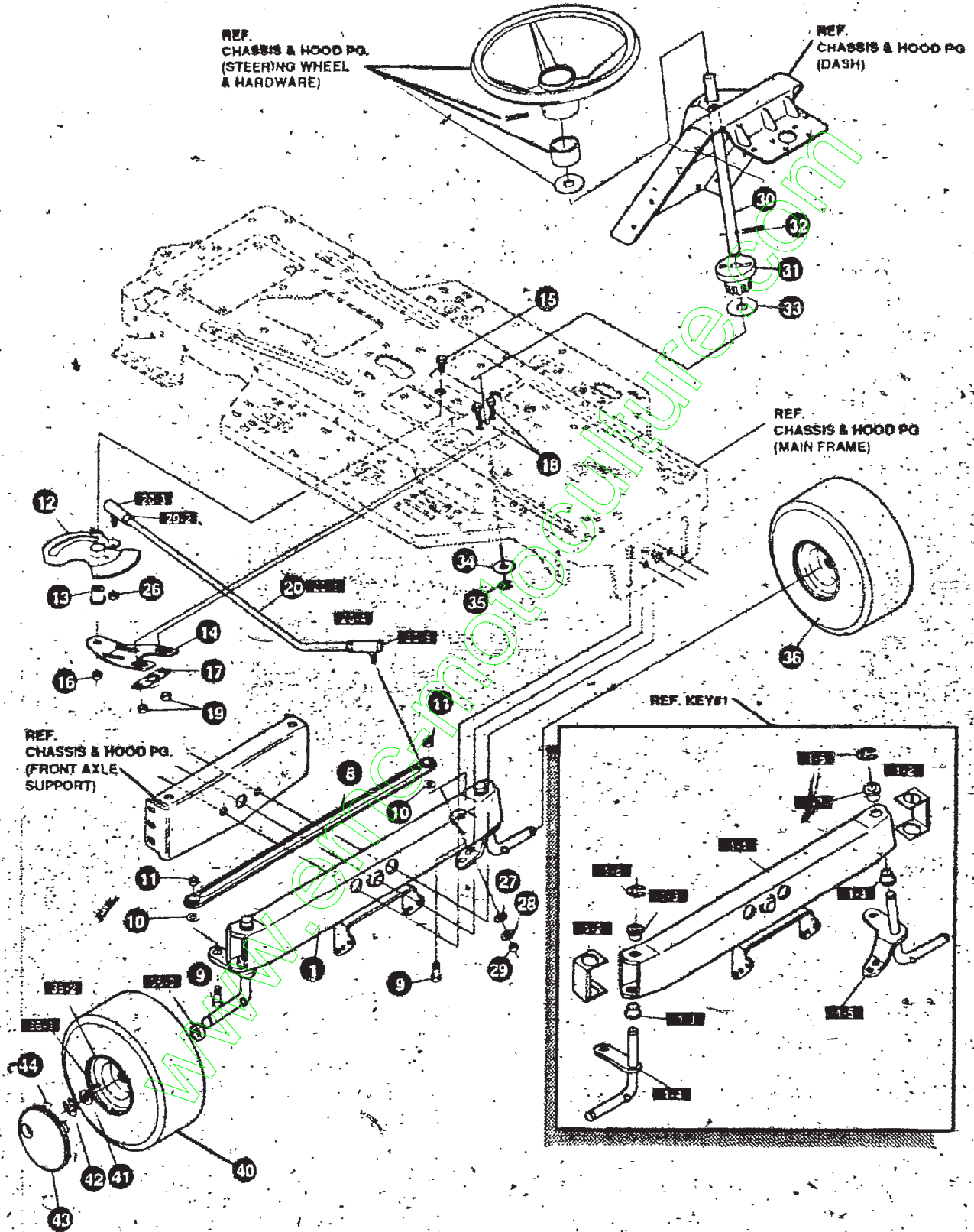
TRACTEUR TONDEUSE 40" MODELE E3560-170

KEY#	PART#	DESCRIPTION	QTY
1	326577-854	FRAME, LF MAIN P920/F4360	1
2	310005	FOOT PAD LH 22.12LG DYNA F-5	1
3	310006	FOOT PAD: RH 22.12LG DYNA F-5	1
4	309235	FASTENER, RATCHET BLACK	12
5	324912-854	SEAT/FNDR SUPPORT WALK-THRU	1
6	330865-854	CONSOLE, WALK-THRU NO SLT LF	1
7	995346	SCREW, 1/4-20X .50 WAHHTAP	10
8	35497	SCREW, 5/16-18X .50 WAHHTAP	2
9	46763	RIVET, POP .187DIA X .450LG. ST.	3
10	58367-854	PLATE, SEAT F5 SF, LF	1
11	325053-854	BRACKET SEAT WALK-THRU RH	1
12	325054-854	BRACKET SEAT WALK-THRU LH	1
13	20507	BOLT, .437X .156 HHSH 5/16-18	2
14	1498	NUT, 5/16-18 REGHEXCTRLK	2
15	46901	SCREW, 5/16-18X .63WAHHC	2
16	1496	NUT, 5/16-18 REGHEXCTRLK	4
17	5 7 1 5 3	SPRING SEAT 2.63LG, 1.49OD BLK	2
18	1341	CLAMP, SPRG 1.17"ID	2
19	44811	SCREW, 1/4-20X .75 WAHHTAP	2
20	56807	COVER, SEAT SPRING 1.51DX1.0LG	2
21	A	ASM, FNDR, F5 WALKTHRU LF SUS	1
21-1	332188-895	FENDER, WALK-THRU, SOF, SUS, LF	1
21-2	9239	CLEVIS	1
21-3	439455	SCREW, 5/16-18X .56PHPNMA BRPH	1
21-4	301551	WASHER, 344ID X 1.50DX .09	1
21-5	120373	NUT, 5/16-18 SQ	1
22	995346	SCREW, 1/4-20X .50 WAHHTAP	4
23	3 5 4 9 7	SCREW, 5/16-18X .50 WAHHTAP	2
24	126358	BOLT, 5/16-18X 1.00 CARREN	2
26	65273	NUT, 5/16-18 HXWDFLLK	2
27	55023	TRIM, 77.5" BLACK NARROW	77.5
28	331949	SEAT, MICHIGAN GEN W/SW HOLE	1
29	120393	WASHER, FLAT 344X .69X .065	4
30	120638	WASHER, HVSP TLK 328X .60X .09	4
31	122007	SCREW, 5/16-18X .75 HHC	4

ORDER INDIVIDUAL PARTS

TRACTEUR TONDEUSE 40" MODELE E3560-170

ENSEMBLE DIRECTION (AVANT)



UTILISEZ DES PIÈCES D'ORIGINE POUR CONSERVER L'APPLICATION DE LA GARANTIE.

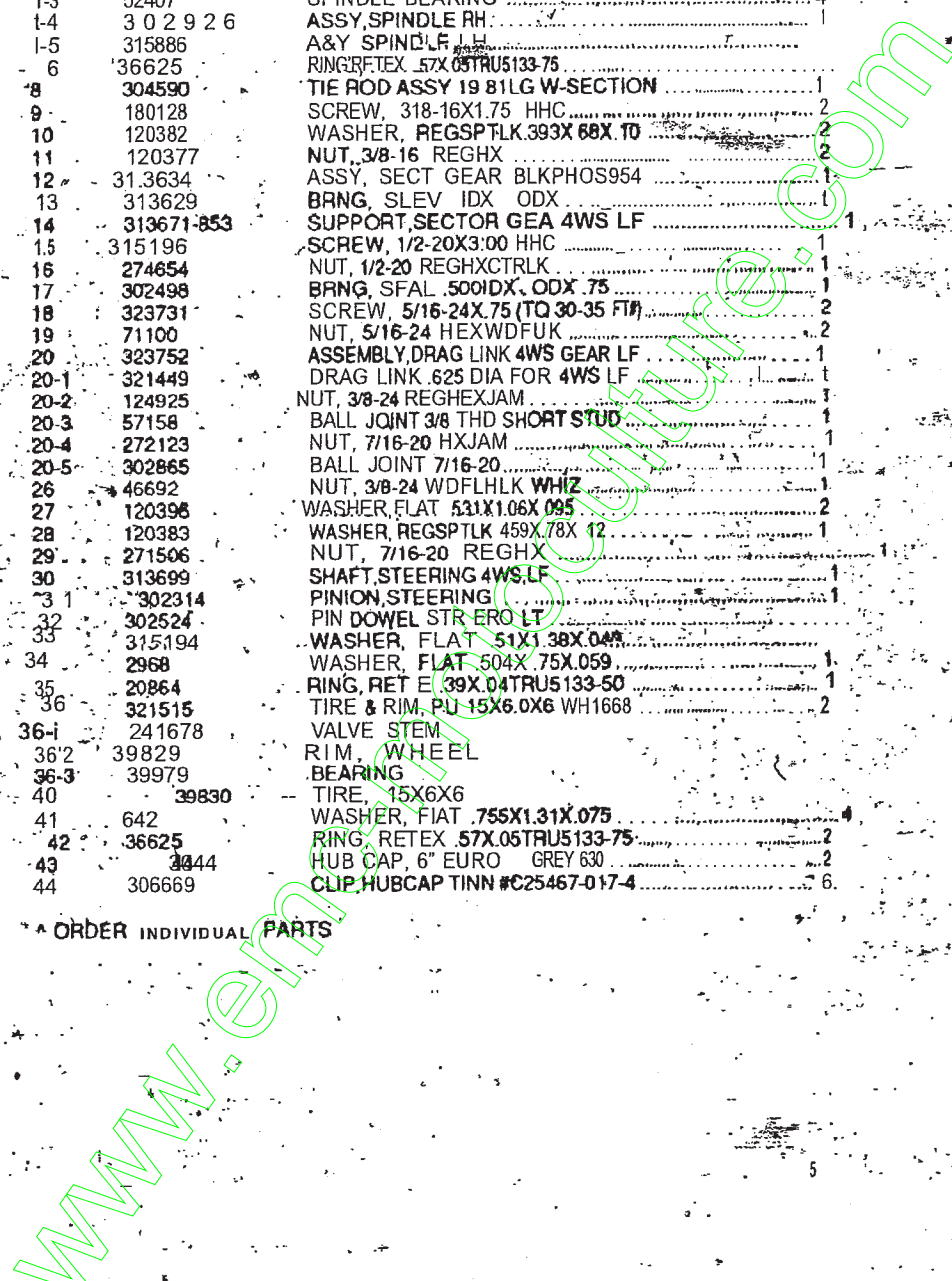
TOUTES LES PIÈCES NON REFEREES SONT INTERCHANGEABLES AVEC LEURS OPPOSEES.

328208 B

TRACTEUR TONDEUSE 40" MODELE E3560-170

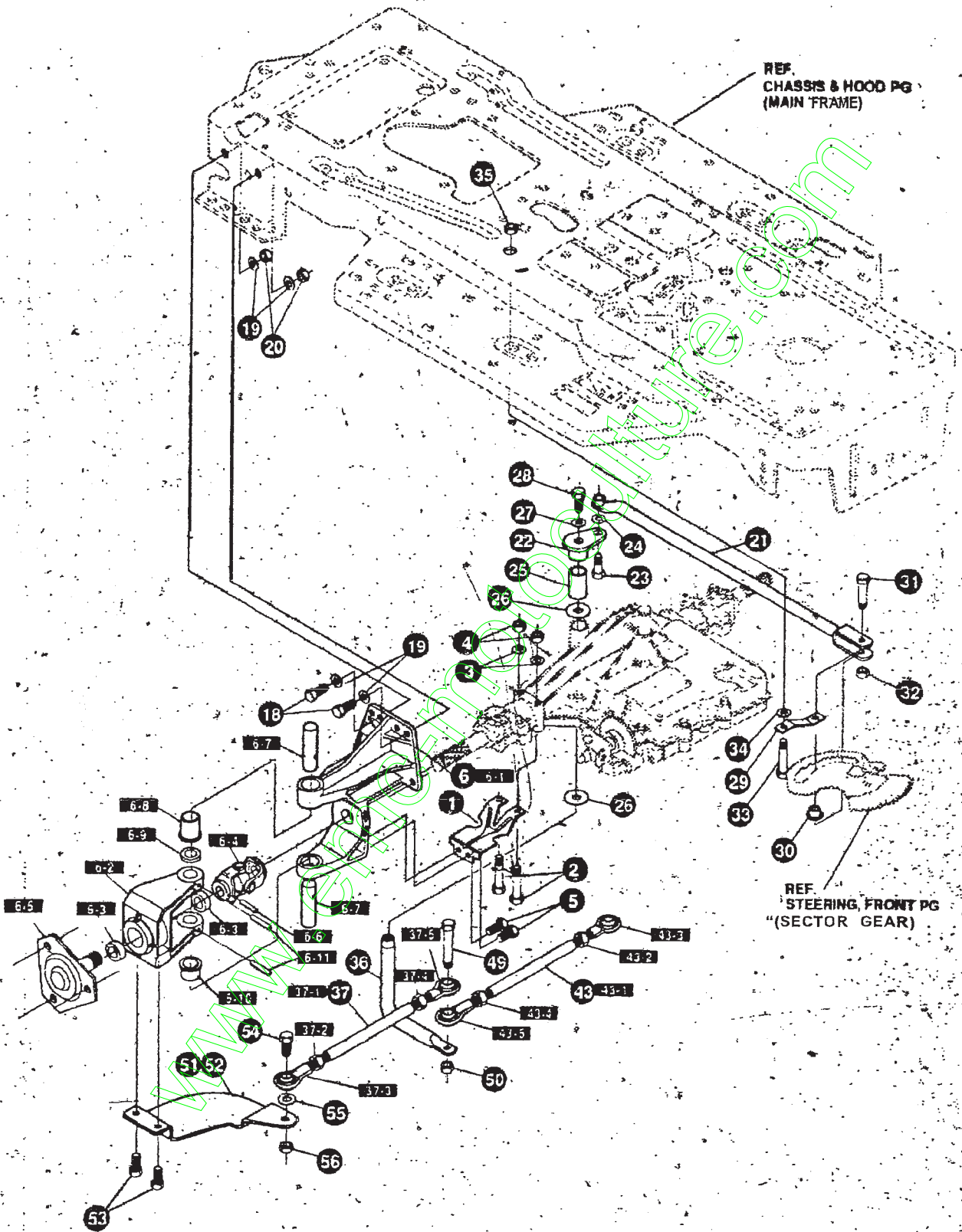
KEY#	PART#	DESCRIPTION	QTY
1	A	ASSY AXLE FRONT 4WS SUSP	1
1-1	310170-853	AXLE, FRONT	1
1-2	53373-853	AXLE COVER	2
1-3	52407	SPINDLE BEARING	4
1-4	3 0 2 9 2 6	ASSY SPINDLE RH	1
1-5	315886	A&Y SPINDLE LH	1
1-6	36625	RING RETEX 57X.05TRU5133-75	1
8	304590	TIE ROD ASSY 19 81LG W-SECTION	1
9	180128	SCREW, 318-16X1.75 HHC	2
10	120382	WASHER, REGSPTLK 393X 68X 70	2
11	120377	NUT, 3/8-16 REGHX	2
12	31.3634	ASSY SECT GEAR BLKPHOS954	1
13	313629	BRNG, SLEV IDX ODX	1
14	313671-853	SUPPORT SECTOR GEA 4WS LF	1
15	315196	SCREW, 1/2-20X3.00 HHC	1
16	274654	NUT, 1/2-20 REGHXCTRLK	1
17	302498	BRNG, SFAL 500IDX, ODX 75	1
18	323731	SCREW, 5/16-24X.75 (TO 30-35 FT)	2
19	71100	NUT, 5/16-24 HEXWDFUK	2
20	323752	ASSEMBLY DRAG LINK 4WS GEAR LF	1
20-1	321449	DRAG LINK .625 DIA FOR 4WS LF	1
20-2	124925	NUT, 3/8-24 REGHEXJAM	1
20-3	57158	BALL JOINT 3/8 THD SHORT STUD	1
20-4	272123	NUT, 7/16-20 HXJAM	1
20-5	302865	BALL JOINT 7/16-20	1
26	46692	NUT, 3/8-24 WDFLHLK WHIZ	1
27	120396	WASHER, FLAT 531X1.06X.095	2
28	120383	WASHER, REGSPTLK 459X.78X 42	1
29	271506	NUT, 7/16-20 REGHX	1
30	313699	SHAFT, STEERING 4WS LF	1
31	302314	PINION, STEERING	1
32	302524	PIN DOWEL STR EURO LT	1
33	315194	WASHER, FLAT 51X1.38X.045	1
34	2968	WASHER, FLAT 504X 75X.059	1
35	20864	RING, RET E 39X.04TRU5133-50	1
36	321515	TIRE & RIM, PU 15X6.0X6 WH1668	2
36-1	241678	VALVE STEM	1
36-2	39829	RIM, WHEEL	1
36-3	39979	BEARING	1
40	39830	TIRE, 15X6X6	1
41	642	WASHER, FIAT .755X1.31X.075	4
42	36625	RING, RETEX 57X.05TRU5133-75	2
43	3844	HUB CAP, 6" EURO GREY 630	2
44	306669	CLIP, HUBCAP TINN #C25467-017-4	6

* ORDER INDIVIDUAL PARTS



TRACTEUR-TONDEUSE 40" MODELE E3560-170

ENSEMBLE DIRECTION (ARRIERE)



REF.
CHASSIS & HOOD PG
(MAIN FRAME)

REF.
STEERING, FRONT PG
"SECTOR GEAR"

UTILISEZ DE S PIÈCES D'ORIGINE POUR CONSERVER
L'APPLICATION DE LA GARANTIE.

TOUTES LES PIÈCES NON
REFEREES SONT
INTERCHANGEABLES AVEC
LEURS OPPOSEES.

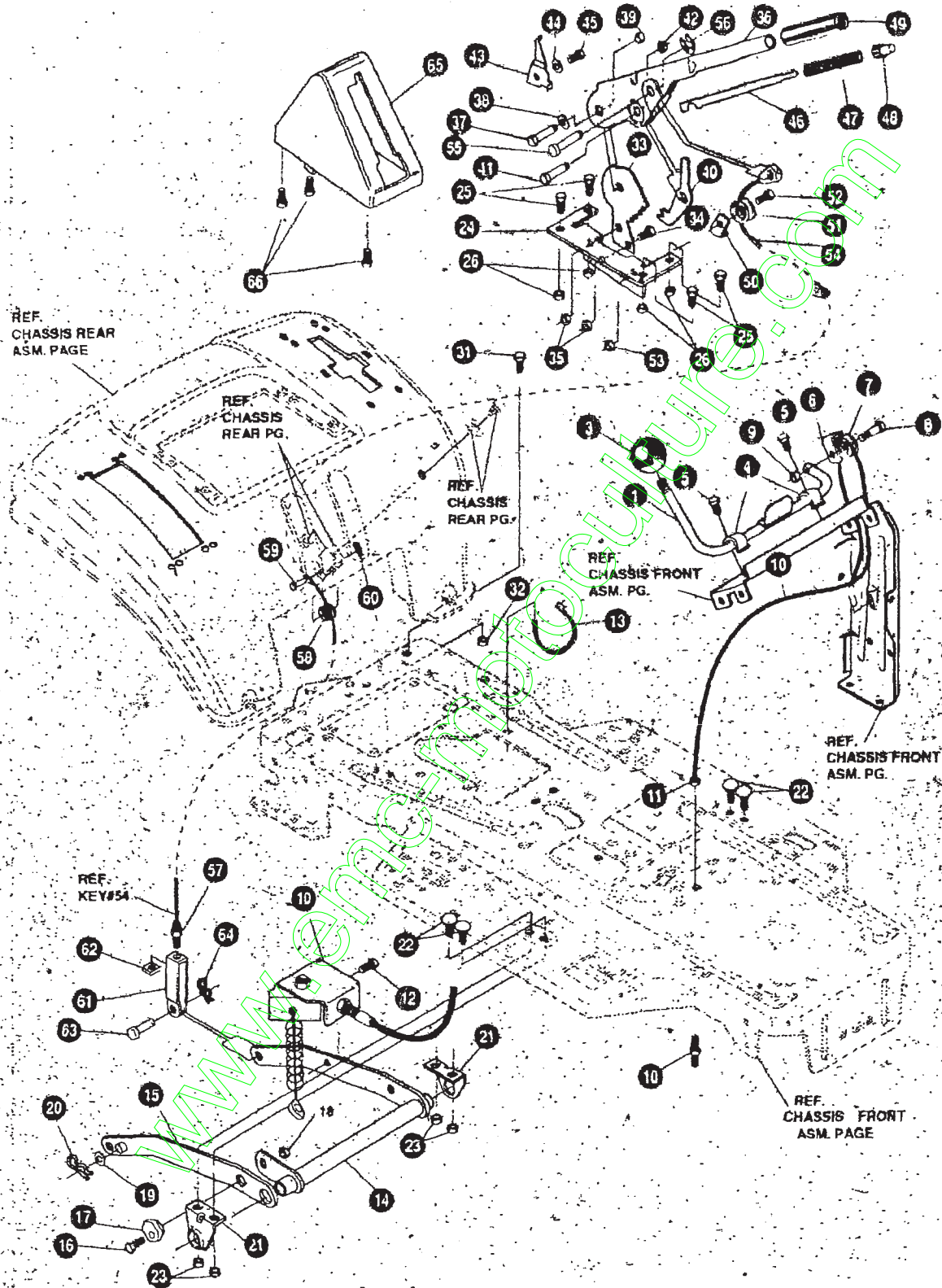
315291 M A

TRACTEUR TONDEUSE 40" MODELE E3560-170

KEY#	PART	DESCRIPTION	QTY
1	303222-853	BRKT X-AXLE MTG 4WS	2
2	180091	SCREW, 5/16-18X2.50 HHC	4
3	120393	WASHER, FLAT .344X.69X.065	4
4	1498	NUT, 5/16-18 REGHEXCTRLK	4
5	35498	SCREW, 5/16-18X.75 WAHTAP	4
6	323766	U-JOINT, ASSY 4-WS LD LF	2
6-1	314267	BRACKET, STEERING PIVOT DRILLED	1
6-2	12465	BRACKET, STEERING PIVOT	1
6-3	12325	BRNG, BALL 6203-2AA-3/4	2
6-4	12290	U-JOINT ASSY (SIM TO 320531)	1
6-5	12280-853	HUB ASSEMBLY	1
6-6	36311	PIN, GROOVED .250 DIA X 1.50 LG	1
6-7	12289	PIN, STEERING HINGE	1
6-6	324578	BRKT ASY, STR PVT-IN SERV ONLY	1
6-9	21662	WASHER, FLAT .765X1.25X.042PL	1
6-10	324578	BRKT ASY, STR PVT-IN SERV ONLY	1
6-11	456722	PIN, SPRING .250 DIA X 150 LG HVPL	2
6-7	180079	SCREW, 5/16-18X1.00 HHC	8
6-8	1 2 0 3 9 3	WASHER, FLAT .344X.69X.065	16
1 8	1 2 2 0 1 7	SCREW, 5/16-18X1.00 HHC	8
19	120393	WASHER, FLAT .344X.69X.065	16
20	498	NUT, 5/16-18 REGHEXCTRLK	8
21	324514	ROD ASM, DRAGLINK 4WS LF BLKPHO	1
22	308719	PIVOT, STEERING	1
23	12319	BOLT, .562X.340 HSSH 3/8-24	1
24	120394	WASHER, FLAT .406X.81X.065	1
25	304115	SPACER, STEERING SHAFT	1
26	25177	WASHER, FLAT .765X1.19X.046	1
27	45602	WASHER, FLAT .333X.87X.119	1
28	421051	SCREW, 5/16-24X1.00 HHC	1
29	302594	FOLLOWER, ROLLER	1
30	304116	CAM YOKE ROLLER	1
31	304122	BOLT, .625 X 1.175 HSSH	1
32	274654	NUT, 1/2-20 REGHXCTRLK	1
33	324638	BOLT, .265X.980 HSSH 3/8-24	1
34	996307	WASHER, FLAT .391X1.00X.209	1
35	412349	NUT, 3/8-24 HXCTRLK	1
36	308720	SHAFT, STEERING PIVOT (ZN)	1
37	323634	TIE ROD, ASSY RH EURO 4WS & LFSTD	1
37-1	308447	ROD, TIE 1/2" D X 8.12 LG	1
37-2	308399	NUT, 3/8-24 LH THD REGHJAM	1
37-3	308384	BALL JOINT LH 3/8-24	1
37-4	124925	NUT, 3/8-24 REGHEXJAM	1
37-5	304260	BALL JOINT, RH 3/8-24	1
43	323635	TIE ROD, ASSY LH EURO 4WS & LFSTD	1
43-1	308446	ROD, TIE 1/2" D X 9.75 LG	1
43-2	308399	NUT, 3/8-24 LH THD REGHJAM	1
43-3	308384	BALL JOINT LH 3/8-24	1
43-4	124925	NUT, 3/8-24 REGHEXJAM	1
43-5	304260	BALL JOINT, RH 3/8-24	1
49	181646	SCREW, 3/8-24X1.75 HHC	1
50	412349	NUT, 3/8-24 HXCTRLK	1
51	304120-853	ARM REAR WHL STR (FER) R/H	1
52	304121-853	ARM, REAR WHEEL STEER L/H	1
53	39728	SCREW, 3/8-16X.75 WAHTAP BK P	4
54	181639	SCREW, 3/8-24X1.25 HHC	2
55	120392	WASHER, REGSPTLK .393X.68X.10	2
56	412349	NUT, 3/8-24 HXCTRLK	2

TRACTEUR TONDEUSE 40" MODELE E3560-170

ENSEMBLE DE SUSPENSION DE LA TONDEUSES



UTILISEZ DES PIÈCES D'ORIGINE POUR CONSERVER L'APPLICATION DE LA GARANTIE.

TOUTES LES PIÈCES NON REFEREES SONT INTERCHANGEABLES AVEC LEURS OPPOSEES.

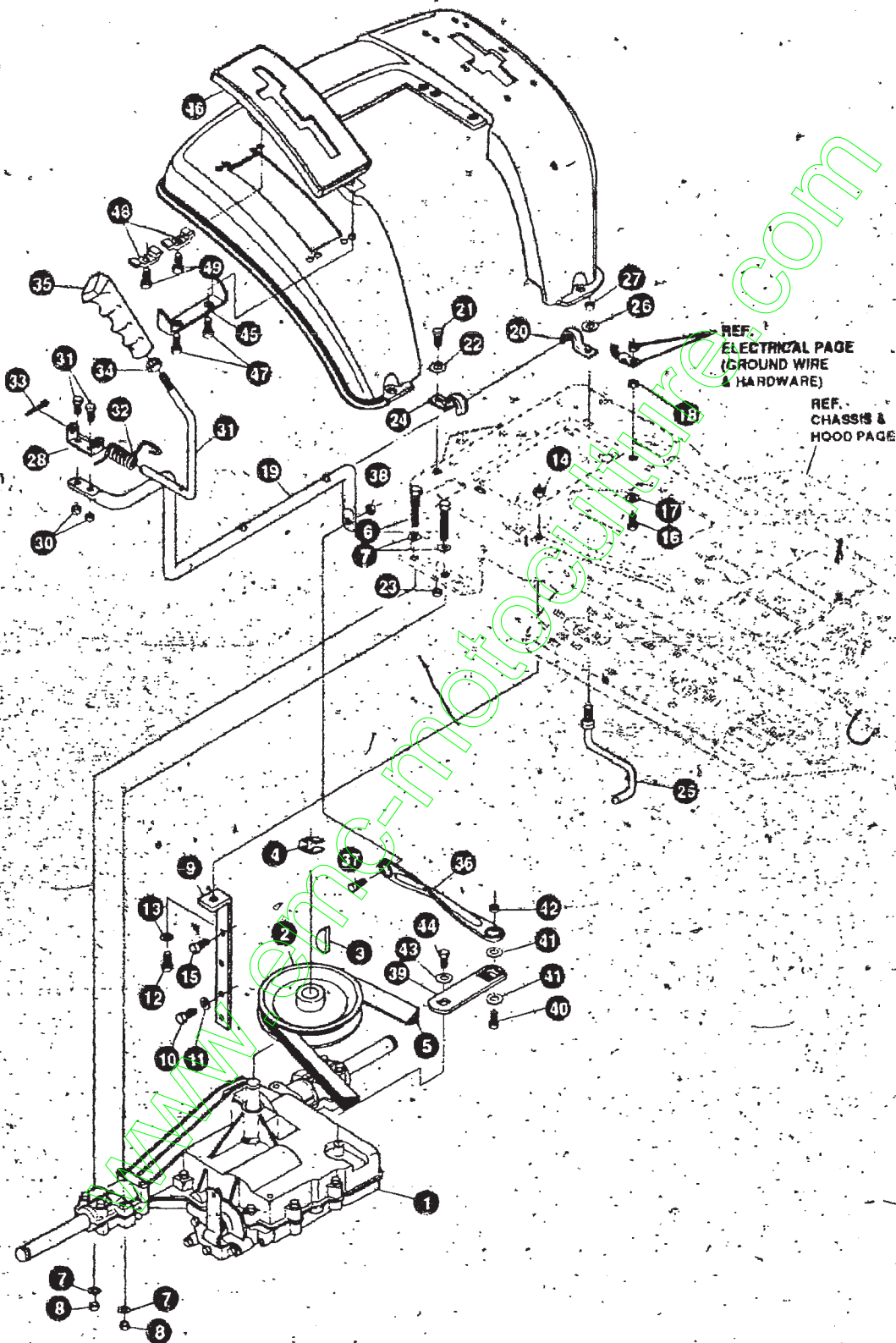
329633 B

TRACTEUR TONDEUSE 40" MODELE E3560-170

KEY#	PART#	DESCRIPTION	QTY
1	327021653	ASSY,WELD,CLUTCH HDLE	1
3	55514	KNOB, ROUND 1 50 DIA BLACK	1
4	9129	CLIP, RETAIN BRKT	2
5	44811	SCREW, 1/4-20X 75 WAHTAP	2
6	1288	BRKT, CABLE RETAIN	1
7	48306	PULLEY,POWDER METAL	1
8	57322	BOLT, 3/75X .375 HSH 1/4-20	1
9	1502	NUT, 1/4-20 REGHEXCTRLK	1
10	328369	ASM.PTO BRKT.-CABLE 39'40143'	1
11	120613	NUT, 1/4-28 HJAM	1
12	35498	SCREW, 5/16-18X 75 WAHTAP	1
13	57444	TIE, CABLE BLACK NYLON 5 621	1
14	300158-853	LIFT ASSY, LH	1
15	300169-853	LIFT ASSY, RH	1
16	180079	SCREW, 5/16-18X1.00 HHC	1
17	58247	NUT, ADJUST	1
18	1498	NUT, 5/16-18 REGHEXCTRLK	1
19	417088	WASHER, FLAT .531X1.06X.063	2
20	8260	PIN, HAIR .091 DIA X 1.66 LG	2
21	58248-853	BRACKET, REAR HANG SUSP	2
22	57072	BOLT, 5/16-18X .63 CARRLN	4
23	1498	NUT, 5/16-18 REGHEXCTRLK	4
24	313928	BRACKET, HGT/ADJUST SUPPORT	1
25	180077	SCREW, 5/16-18X .75 HHC	4
26	1498	NUT, 5/16-18 REGHEXCTRLK	4
31	180077	SCREW, 5/16-18X .75 HHC	1
32	1498	NUT, 5/16-18 REGHEXCTRLK	1
33	301238	QUADRANT, HEIGHT ADJUST	1
34	180077	SCREW, 5/16-18X .75 HHC	2
35	1498	NUT, 5/16-18 REGHEXCTRLK	2
36	322292-853	HANDLE,LIFT SHORT(30" SF)	1
37	300171	BOLT, 500X .270 HSH 5/16-18	1
38	996418	WASHER, FLAT .506X .75X.024	1
39	44108	NUT, 5/16-18 HWDFLCTRLK	1
40	301239	PAWL, SQUARE	1
41	300171	BOLT, 500X .270 HSH 5/16-18	1
42	44108	NUT, 5/16-18 HWDFLCTRLK	1
43	9435	POINTER, HEIGHT ADJ	1
44	138479	WASHER, EXLK .195X.41X.03	1
45	35287	SCREW, #8-32X .38 HHWATAP	1
46	303027	ROD,ACTUATOR-SHORT	1
47	58326	SPRING, HEIGHT ADJUST	1
48	58325	KNOB, HEIGHT ADJ PUSH BUTTON	1
49	58329	GRIP, .750 OD W/ HOLE BLACK	1
50	9149	BRKT, CABLE RETAIN	1
51	48306	PULLEY,POWDER METAL	1
52	58336	BOLT, 3/75X .375 HSH 1/4-20	1
53	1502	NUT, 1/4-20 REGHEXCTRLK	1
54	314177	CABLE,LIFT 23.30-F-5 20X8-8	1
55	300310	PIN,CLEVIS .310DIA+.475LG	1
56	300311	RING, RETE .31X.25TRUX5133-31	1
57	120375	NUT, 1/4-20 REGHEX	1
58	48306	PULLEY,POWDER METAL	1
59	300317	PIN, CLEVIS .375DIA X .81 LG	1
60	8260	PIN, HAIR .091 DIA X 1.66 LG	1
61	9405	CLEVIS,LIFT CABLE	1
62	120372	NUT, 1/4-20 REGSQ	1
63	39522	PIN,CLEVIS .312 X .812	1
64	121222	PIN, COTTER .090 DIA X .75LG	1
65	300335	LIFTCOVER-39" F5	1
66	300340	SCREW, #10 X .75 HHPLAST BLK	3

TRACTEUR TONDEUSE 40" MODELE E3560-170

TRANSMISSION



UTILISEZ DES PIÈCES D'ORIGINE POUR CONSERVER
L'APPLICATION DE LA GARANTIE.

TOUTES LES PIÈCES NON
REFEREES SONT
INTERCHANGEABLES AVEC
LEURS OPPOSEES. 328218-5

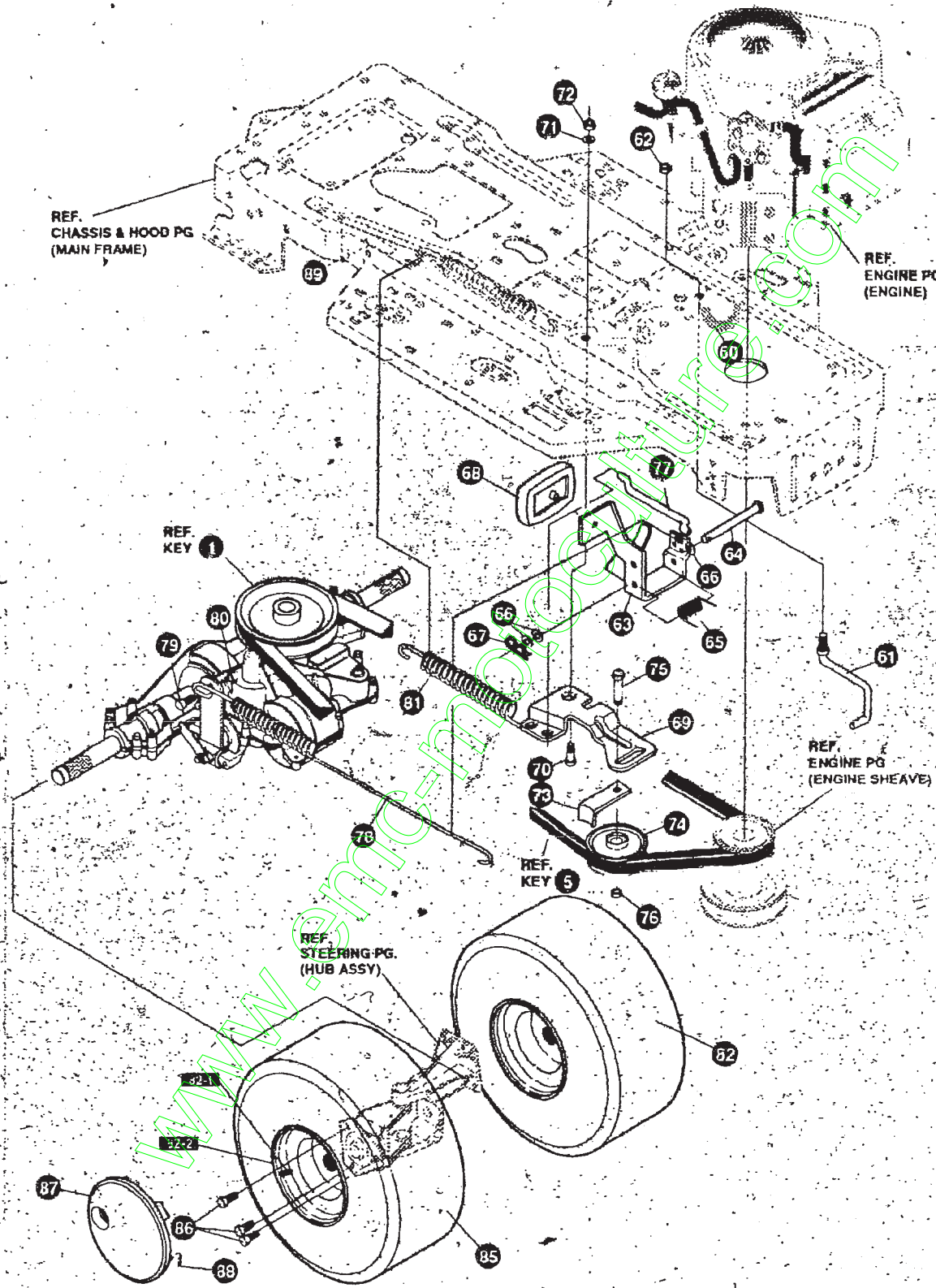
TRACTEUR TONDEUSE 40" MODELE E3560-170

KEY#	PART#	DESCRIPTION	QTY
1	A	TRANSAXLE FOOTE 6SP 4WS LF	1
2	303109	PULLEY, 6.6 OD V4L T/A	1
3	50795	KEY, HI-PRO 606 .75DIA X .187WD	1
4	22053	RING, RETEX .58X.035TRU5100-62	1
5	314120	BELT, V 4L 87.25 4WS LF	1
6	180091	SCREW, 5/16-18X2.50 HHC	4
7	120393	WASHER, FLAT .344X .69X.065	8
8	1498	NUT, 5/16-18 REGHEXCTRLK	4
9	323739	LF BRKT, STABILIZER BLK	1
10	35498	SCREW, 5/16-18X .75 WAHTAP	2
11	120638	WASHER, HVSP TLK .328X.60X.09	2
12	1 8 0 0 7 9	SCREW, 5/16-18X1.00 HHC	1
13	120393	WASHER, FLAT .344X .69X.065	1
14	1 4 9 8	NUT, 5/16-18 REGHEXCTRLK	1
15	50947	SCREW, 3/8-16X1.25 WAHTAPBLKP	1
16	180077	SCREW, 5/16-18X .75 HHC	1
17	1 3 8 5 3 6	WASHER, REGINTLK .320X.61X.03	1
18	1498	NUT, 5/16-18 REGHEXGTRLK	1
19	319111	LEVER, SHIFT-LWR P930/4360 LF	1
20	310347-853	CLIP- SHIFT LEVER .625 ROD	1
21	180077	SCREW, 5/16-18X .75 HHC	1
22	996416	WASHER, FIAT .391X1.00X.125	1
23	1498	NUT, 5/16-18 REGHEXCTRLK	1
24	310347-853	CLIP-SHIFTLEVER .625 ROD	1
25	57259	GUIDE, BELT 5/16-18THD	1
26	996416	WASHER, FLAT .391X1.00X.125	1
27	1498	NUT, 5/16-18 REGHEXCTRLK	1
28	310356	LF BRKT, PIVOT SH LEV	1
29	180020	SCREW, 1/4-20X .75 HHC	2
30	1502	NUT, 1/4-20 REGHEXCTRLK	2
31	309635	LEVER, SHIFT UPPER SOF 1/2-13	1
32	310265	SPRING, TORS. .56X .95X .095	1
33	137185	PIN, COTTER .125 DIA X 1.00LG	1
34	120238	NUT, 1/2-13 HEXJAM	1
35	306690	HANDLE 1/2-13 MOLDED BLK	1
36	314971	LINK TIE ROD SHIFTER 7.746C/L	1
37	180124	SCREW, 3/8-16X1.25 HHC	1
38	1499	NUT, 3/8-16 REGHXCTRLK	1
39	309637	BRKT, SHIFT 5SP SF	1
40	180124	SCREW, 3/8-16X1.25 HHC	1
41	120394	WASHER, FLAT .406X .81X.065	2
42	1499	NUT, 3/8-16 REGHXCTRLK	1
43	57157	WASHER, 750X 250 SP-TRANSAXLE	1
44	56255	SCREW, 1/4-28X .75 NYLHHC	1
45	311257-853	BRACKET COVER F-5 FNDR SHIFT	1
46	311209	COVER PLASTIC LF P930/F4360-6	1
47	311331	SCREW, 1/4-15X .44/53 HILOHWA	2
48	1341	LF CLAMP, SPRG 1.17"ID	2
49	311331	SCREW, 1/4-15X .44/53 HILOHWA	2

* CONTACT YOUR NEAREST TRANSAXLE DEALER FOR PARTS AND SERVICE

TRACTEUR TONDEUSE 40" MODELE E3560-170

TRANSMISSION



UTILISEZ DES PIÈCES D'ORIGINE POUR CONSERVER
L'APPLICATION DE LA GARANTIE.

TOUTES LES PIÈCES NON
RÉFÉRÉES SONT
INTERCHANGEABLES AVEC
LEURS OPPOSÉES.

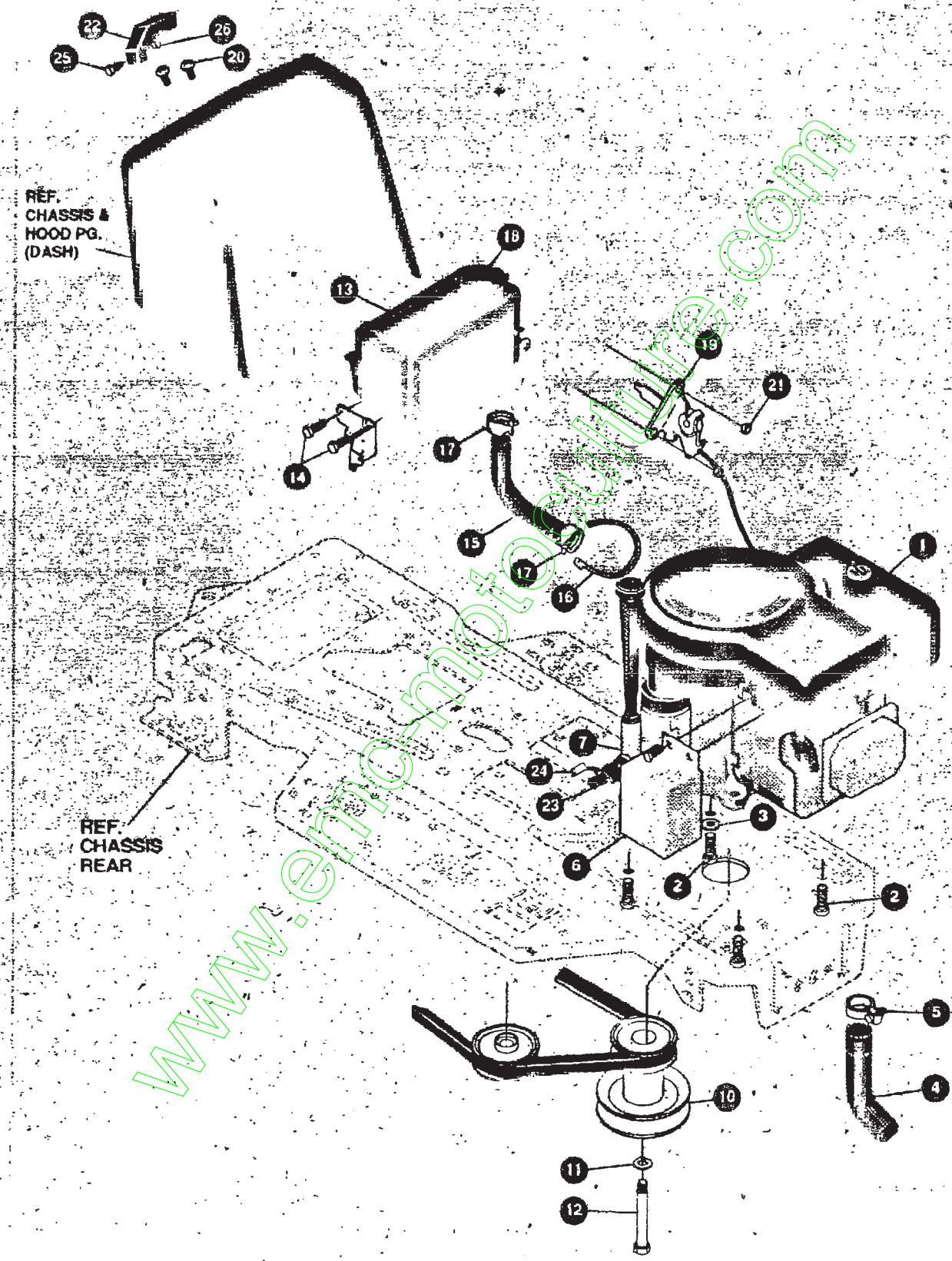
328218 C

TRACTEUR TONDEUSE 40" MODELE E3560-170

KEY#	PART#	DESCRIPTION	QTY
60	321514	SPRING, DRAG LINK WAS	1
61	304016	GUIDE, BELT R.H.	1
62	1498	NUT, 5/16-18 REGHEXCTRLK	1
63	325942	SF PEDAL ASSY, BRAKE/CLUTCH LF	1
64	319675	PIN, CLEVIS, 500DX4.53LG	1
65	57647	SPRING, BRAKE PEDAL	1
66	2968	WASHER, FLAT, 504X.75X.059	3
67	56180	PIN, HAIR, 091DIA X 1.62LG	1
68	48160	PAD, CLUTCH BRAKE W/PRINTING	1
69	320381	ARM, IDLER TRACTION, SOG L F	1
70	329989	BOLT, .625X .135 HSSH 5/16-18	1
71	45602	WASHER, FLAT, .333X .87X 1.19	1
72	1498	NUT, 5/16-18 REGHEXCTRLK	1
73	39659	RETAINER, BELT	1
74	35374	PULLEY, IDLER V4L 3.05X .82	1
75	45892	BOLT, 3/8-16X1.50 CARRSN	1
76	1499	NUT, 3/8-16 REGHXCTRLK	1
77	57204	ROD, CLUTCH 3.92"	1
78	325937	SPRING, BRAKE 28.80 930.4360	1
79	326131	BOLT, .495X 31 HSSH 5/16-18	1
80	1498	NUT, 5/16-18 REGHEXCTRLK	1
81	313660	SPRING, CLUTCH, I 13X.750X8.83	1
82	316665	TIRE & RIM, 20X10 00-8 WHITE 669	2
82-1	24167	VALVE STEM	1
82-2	301366	RIM, WHEEL	1
65	56276	TIRE, 20 X 10 X 6	1
86	1 8 1 6 8 3	SCREW, 1/2-20X.50 HSH	6
87	304441	HUB CAP, 8" EURO GREY 630	2
8 8	306669	CLIP, HUBCAP TINN #C25467-017-4	10
89	313039	DECAL, 4WS PATENT NO. 5048853	1

TRACTEUR TONDEUSE 40" MODELE E3560-170

MOTEUR ENSEMBLE



REF.
CHASSIS &
HOOD PG.
(DASH)

REF.
CHASSIS
REAR

UTILISEZ DES PIÈCES D'ORIGINE POUR CONSERVER L'APPLICATION DE LA GARANTIE.

TOUTES LES PIÈCES NON 'REFEREES SONT INTERCHANGEABLES AVEC LEURS OPPOSEES.

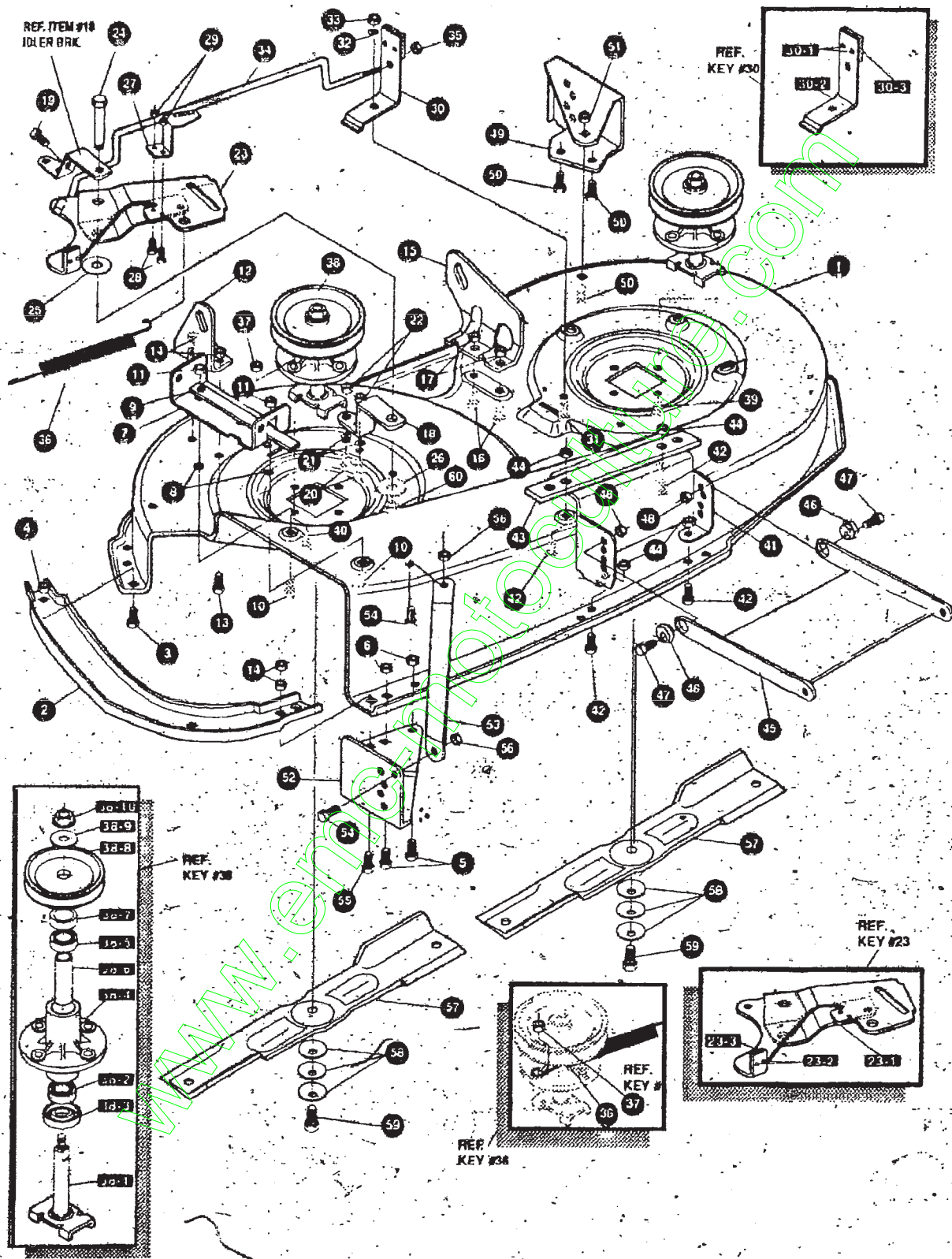
331758 A1

TRACTEUR TONDEUSE 40" MODELE E3560-170

KEY#	PART#	DESCRIPTION	QTY
1	ENGINE	14.0 BSIC OHV OVAL CIR (SEE ENGINE MANUAL)	1
2	50947	SCREW, 3/8-16X1.25 WAHHTAPBLKP	4
3	136469	WASHER, EXLK.384X.69X.04	1
4	327866	EXHAUST TUBE 14OHV B&S LF H15	1
5	326024	CLAMP EXHAUST 1.37 DIA	1
6	327785-853	HEAT SHIELD 140HV B/S	1
7	995346	SCREW, 1/4-20X.50 WAHHTAP	3
10	3 2 6 0 2 8	PULLEY,ENG 3.00 X 4.0LG X 5.00	1
11	120383	WASHER, REGSPTLK.459X.78X.12	1
12	433146	SCREW, 7/16-20X4.25 HHG BLK PH	1
13	309853	TANK, FUEL 1.5 WO/SENSOR CLEAR.	1
14	49050	SCREW, 1/4-10X.75PHPNTAP	4
15	50118	TUBING, .25X.50X BULK GAS LINE	13.5
16	57444	TIE, CABLE BLACK NYLON 5.62	1
17	47345	CLAMP HOSE SCREW TYPE	2
18	12501	CAP,FUEL 2.5' THROAT	1
19	329148	THROTTLE, CONTROL 12HP BS H24	1
20	320553	SCREW, 10-24X.63PHPNMA CRSS	2
21	271166	NUT, #10-24 HEXKEPS	2
22	3 0 0 6 0 8	KNOB,THROTTLE CONTROL GP STYLE	1
23	325547	OK DRAIN VALVE ASSEMBLY	1
24	327422	CAP,OIL DRAIN VALVE ASM.YELLOW	1
25	159585	SCREW, #6-32X.38 PHPNMA	1
26	120622	NUT, #6-32 REGHX	1

TRACTEUR TONDEUSE 40" MODELE E3560-170

CARTER DE TONDEUSE



UTILISEZ DES PIÈCES D'ORIGINE POUR CONSERVER L'APPLICATION DE LA GARANTIE.

TOUTES LES PIÈCES NON RÉFÉREES SONT INTERCHANGEABLES AVEC LEURS OPPOSÉS.

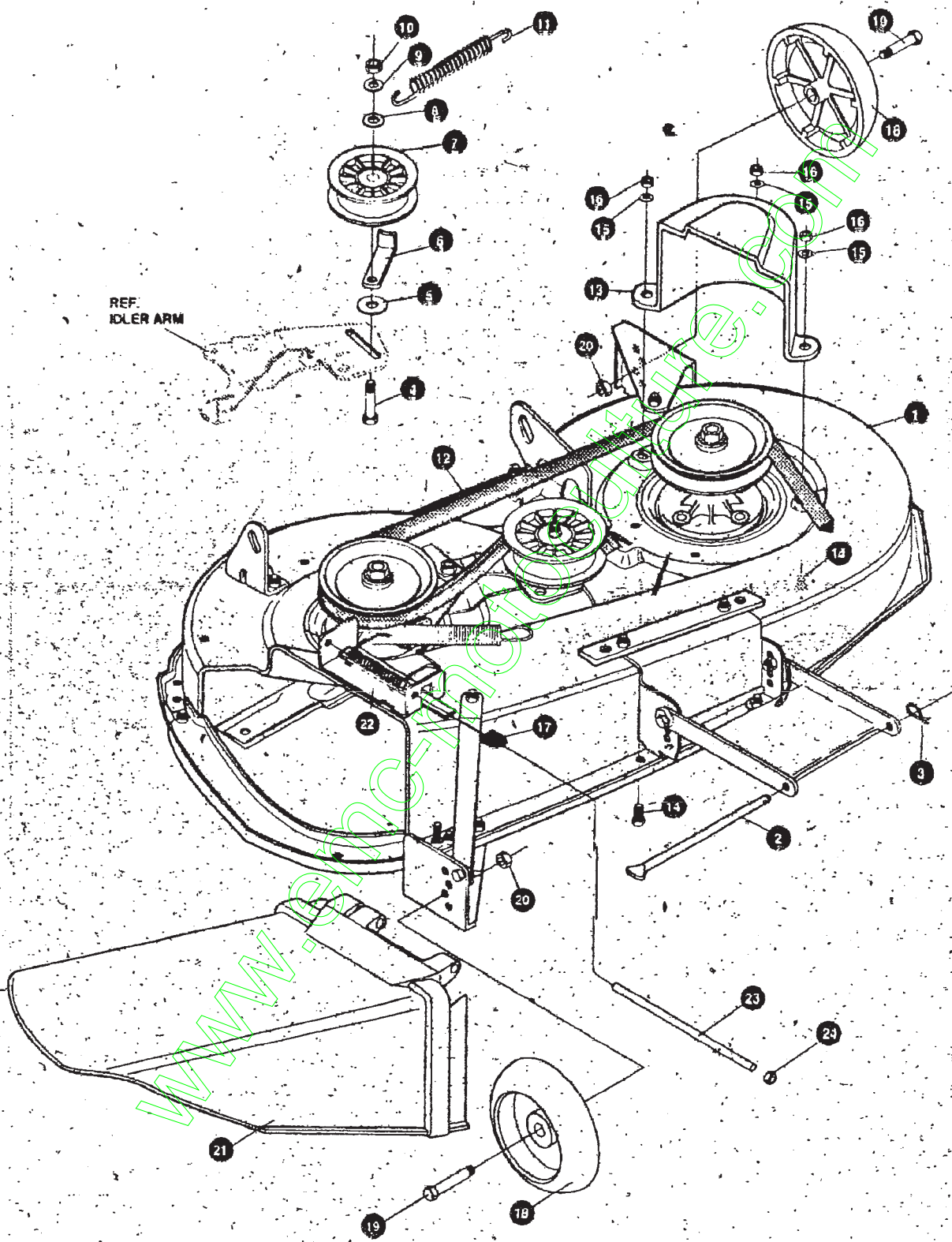
331147 B

TRACTEUR TONDEUSE 40" MODELE E3560-170

KEY#	PART#	DESCRIPTION	QTY
1	325103	40" DECK KIT.....	1
2	326480-853	TOE GUARD - MULCHER.....	1
3	180077	SCREW, 5/16-18X .75 HHC.....	1
4	1496	NUT, 5/16-18 REGHEXCTRLK.....	1
5	180077	SCREW, 5/16-18X .75 HHC.....	1
6	1496	NUT, 5/16-18 REGHEXCTRLK.....	1
7	317017	BRACKET CHUTE MOUNT BLACK.....	1
	120393	WASHER, FIAT .344X .69X .065.....	2
8	322320-853	LEVER ASSY (SHORT).....	1
10	160077	SCREW, 5/16-18X .75 HHC.....	2
11	1498	NUT, 5/16-18 REGHEXCTRLK.....	2
12	313928	LIFT BRKT, REAR RH BLK 853.....	1
13	180077	SCREW, 5/16-18X .75 HHC.....	2
14	1498	NUT, 5/16-18 REGHEXCTRLK.....	2
15	310667	BRACKET, DECK LIFT REAR LHBLK.....	1
16	180077	SCREW, 5/16-18X .75 HHC.....	2
17	1498	NUT, 5/16-18 REGHEXCTRLK.....	2
18	326893-853	BRACE IDLER SUPPORT 40" .43".....	1
19	308231	SCREW, 1/4-20X1.25 HHWATAP.....	1
20	180077	SCREW, 5/16-18X .75 HHC.....	2
21	120393	WASHER, FLAT 344X .69X .065.....	2
22	44106	NUT, 5/16-18, HWDFLCTRLK.....	2
23	320576-853	IDLER ARM ASSEMBLY.....	1
23-1	322116-853	ARM IDLER 40X43" DECK.....	1
23-2	41601	RIVET, OVSET .187DIA X .50 LG ST.....	2
23-3	306973	BRAKE PAD - HARD - 232AF.....	1
24	304420	BOLT, 500X2.15 HSSH.....	1
25	996307	WASHER, FLAT .391X1.00X .209.....	1
26	996416	WASHER, FIAT .391X1.00X .125.....	1
27	326249-853	BRACKET, EXTENSION IDLER.....	1
28	180077	SCREW, 5/16-18X .75 HHC.....	2
29	1498	NUT, 5/16-18 REGHEXCTRLK.....	1
30	321628	BLADE BRAKE ASSY.....	1
30-1	135624	RIVET, TRSET .185DIA X .41 LG ST.....	2
30-2	304119	BRAKE ARM HT 955.....	1
30-3	306973	BRAKE PAD - HARD - 232AF.....	1
31	180077	SCREW, 5/16-18X .75 HHC.....	1
32	120393	WASHER, FLAT .344X .69X .065.....	1
33	1498	NUT, 5/16-18 REGHEXCTRLK.....	1
34	315396	ROD, BRAKE 40" DECK.....	1
35	1502	NUT, 1/4-20 REGHEXCTRLK.....	1
36	35410	SPRING .071 X .62 X 4.37.....	1
37	1498	NUT, 5/16-18 REGHEXCTRLK.....	1
38	56424-853	QUILL ASSY, 36/39/40/43.....	2
38-1	56425	SHAFT/SADDLE 36".....	1
38-2	49562	BRNG, BALL 6203-2AA(SEALS)-C3.....	1
38-3	50616	DUST SHIELD.....	1
38-4	55547	QUILL CASTING (1046).....	1
38-5	49562	BRNG, BALL 6203-2AA(SEALS)-C3.....	1
38-6	50818	SPACER, SLEV. 669X .88X3.797.....	1
38-7	51449	SPACER, SLEV. 672X .93X 4.38PM.....	1
38-8	313898	PULLEY ASSY.....	1
38-9	56365	WASHER, SPECIAL QUILL.....	1
38-10	1282	NUT, 7/16-20 WDFLLK.....	1
39	35498	SCREW, 5/16-18X .75 WAHTAP.....	7
40	300345	SCREW, 5/16-18X1.38 WAHTAP.....	1
41	318445-853	BRACKET, 40 LF FRONT DECK.....	1
42	180077	SCREW, 5/16-18X .75 HHC.....	4
43	328155-853	PLATE-MOUNTING.....	1
44	1498	NUT, 5/16-18 REGHEXCTRLK.....	4
45	58305-853	BRACKET, LINK DECK FRONT.....	1
46	58247	NUT, ADJUST.....	2
47	180079	SCREW, 5/16-18X1.00 HHC.....	2
48	1498	NUT, 5/16-18 REGHEXCTRLK.....	2
49	317041	BRKT, GAGE WHEEL LH BLACK.....	1
50	180077	SCREW, 5/16-18X .75 HHC.....	3
51	1498	NUT, 5/16-18 REGHEXCTRLK.....	3
52	322484-853	BRACKET GAGE WHEEL R.H. FRNT.....	1
53	314282-853	BRACKET, STABILIZER.....	1
54	180077	SCREW, 5/16-18X .75 HHC.....	7
55	12685	SCREW, 5/16-18X1.50HHCFT.....	1
56	1498	NUT, 5/16-18 REGHEXCTRLK.....	1
57	309070	BLADE, 20.32 HIGH-LIFT 853.....	2
58	2483	WASHER, .391DX1.25DX .07 BELLVIL.....	6
59	39573	SCREW, 3/8-24X1.00 NYLHHC.....	2
60	45171	NUT, 3/8-16 HWDFL WHIZ-LOCK ZN.....	1

TRACTEUR TONDEUSE 40" MODELE E3560-170

CARTER DE TONDEUSE



UTILISEZ DES PIÈCES D'ORIGINE POUR CONSERVER
L'APPLICATION DE LA GARANTIE.

TOUTES LES PIÈCES NON
REFEREES SONT
INCHANGABLES AVEC
LEURS OPPOSEES.

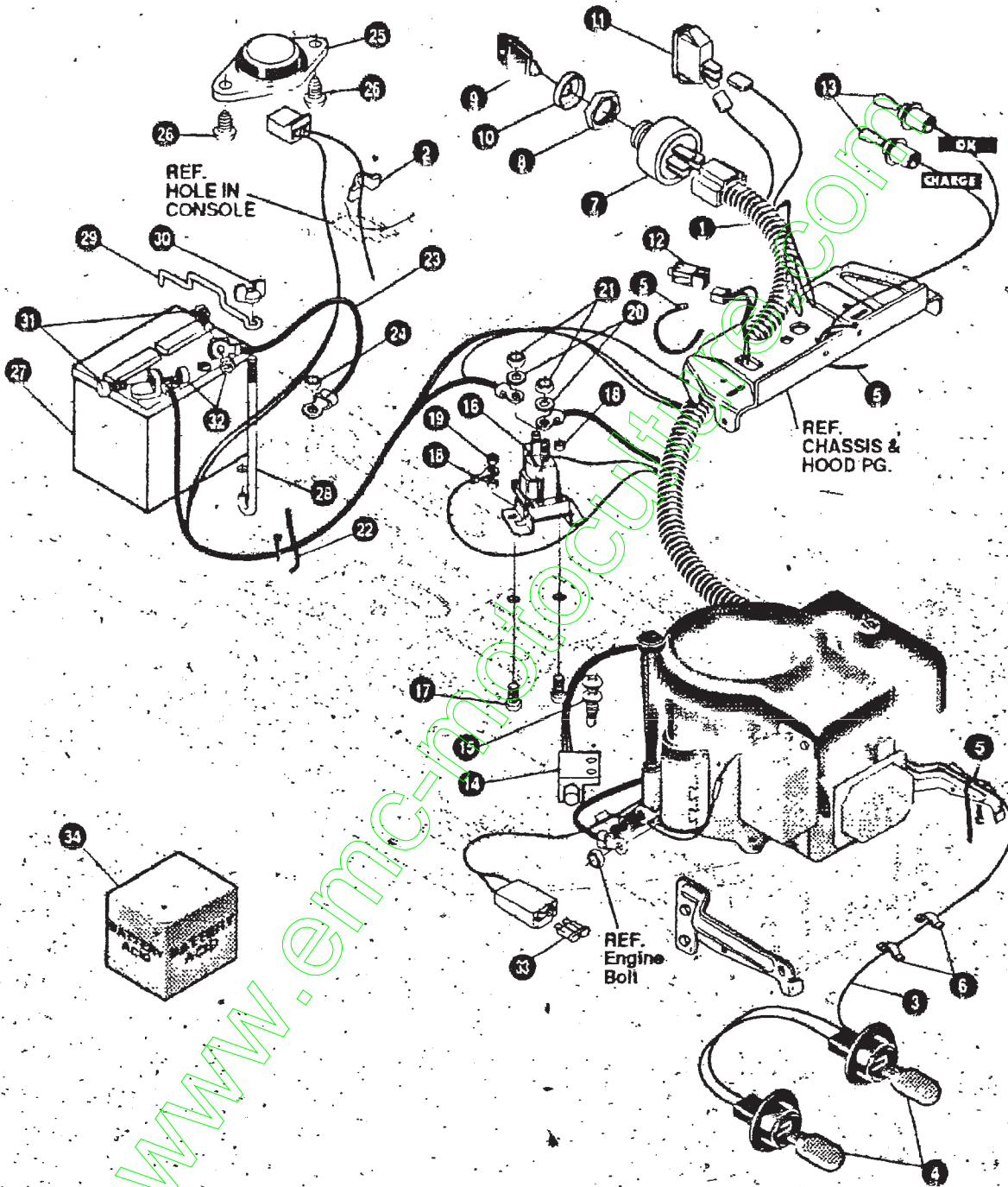
351145B

TRACTEUR TONDEUSE 40" MODELE E3560-170

KEY#	PART#	DESCRIPTION	QTY
1	329035-853	ASM 40" DECK FOR AIR ASSIST	1
2	58306	ROD DECK HITCH Z-PL	1
3	8260	PIN, HAIR .091 DIA X 1.66 LG	1
4	57325	BOLT, 3/8-16 X 2.00 CARBON	1
5	25210	WASHER, FLAT .386 X 1.25 X .09 HT	1
6	1346	RETAINER, BELT	1
7	310326	PULLEY, IDLER BFF 4.00 WIDE FL	1
8	996307	WASHER, FLAT .391 X 1.00 X .209	1
9	120362	WASHER, REGSPTLK.393 X .66 X .10	1
10	120377	NUT, 3/8-16 REGHX	1
11	300473	SPRING, TENSION 7.52 LG + 17 LB/IN	1
12	319005	BELT, V 5L 81.00 DECK 40 LF	1
13	328257	GUARD, BELT LH PLASTIC	1
14	180075	SCREW, 5/16-18 X .63 HHC	3
15	120393	WASHER, FLAT .344 X .69 X .065	3
16	1498	NUT, 5/16-18 REGHX CTRLK	3
17	42348	GRIP-LEVER GRASS COLLECTOR	1
18	302611	GAUGE WHEEL, EURO 6.000 D X 1.38 WD	2
19	23763	BOLT, 5/16 X 1.30 QHSH 3/8-16	2
20	1499	NUT, 3/8-16 REGHX CTRLK	2
21	304422	CHUTE DEFLECTOR 40", 42" & 43"	1
22	314975	SPRING, TORSION CHUTE DEFLECTOR	1
23	304424	ROD, PIVOT DECK .312 D X 7.25	1
24	3535	NUT, PUSH ON GAP .312 OD	1

TRACTEUR TONDEUSE 40" MODELE E3560-1-70

FAISCEAU ELECTRIQUE



UTILISEZ DES PIÈCES D'ORIGINE POUR CONSERVER L'APPLICATION DE LA GARANTIE.

TOUTES LES-PIECES NON REFEREES SONT INTERCHANGEABLES AVEC LEURS OPPOSEES.

329528-A

TRACTEUR TONDEUSE 40" MODELE E3560-170

KEY#	PART#	DESCRIPTION	QTY
1	328255	HARNES 14BS OHVL H25 LF SUS	1
2	A1482	PRESS CLIP, 1.380LG 255ID	2
3	303064	ASSY LIGHT WIRE-1/4 TURN	2
4	52572	BULB HEADLAMP	2
5	57444	TIE, CABLE BLACK NYLON 5.62L	4
6	41462	PRESS CLIP, 1.380LG 255ID	2
7	327355	SWITCH-IGN (AFTER FIRE) 3 POSN	1
8	327352	NUT, 5/8-8ACME DELTA FOR BOOT	1
9	327350	KEY, IGNITION	2
10	300194	BOOT, IGN SWITCH	1
11	328826	LIGHT SWITCH PANEL MNT	1
12	320082	SWITCH, DOUBLE POLE NO/NC GRAY	1
13	57769	BULB, INDICATOR	2
14	57476	SWITCH, SCR MNT DP NC NO BLK	1
15	57220	SCREW, 112 X SO PHNHTAP BLK	2
16	53716	SOLENOID	1
17	187745	SCREW, 1/4-20X .75 HXSEMMA	2
18	1502	NUT, 1/4-20 REGHEXCTRLK	2
19	271172	NUT, 1/4-20 REGHEXKEPS	1
20	138485	WASHER, EXLK .320X.61X.03	2
21	120368	NUT, 5/16-24 REGHEX	2
22	57444	TIE, CABLE BLACK NYLON 5.62L	1
23	55511	WIRE, GROUND, 12 5"	1
24	271184	NUT, 5/16-18 HEXKEPS	1
25	57547	SWITCH, SEAT	1
26	160505	SCREW, 1/4-20X .38PHPNHMA	2
27	302257	BATTERY, 12V	1
28	57551	ROD, BATTERY	1
29	57552	ROD, BATTERY, TOP	1
30	325232	NUT, WING 1/4-20 NYLON	1
31	120854	SCREW, 1/4-20X .63 HHC	2
32	271172	NUT, 1/4-20 REGHEXKEPS	2
34	^	BATTERY ACID PACK, 80 OZ	1

^ CAN BE PURCHASED LOCALLY

