



PIECES DETACHEES

Tondeuse à conducteur Marchant



EXPERT 47



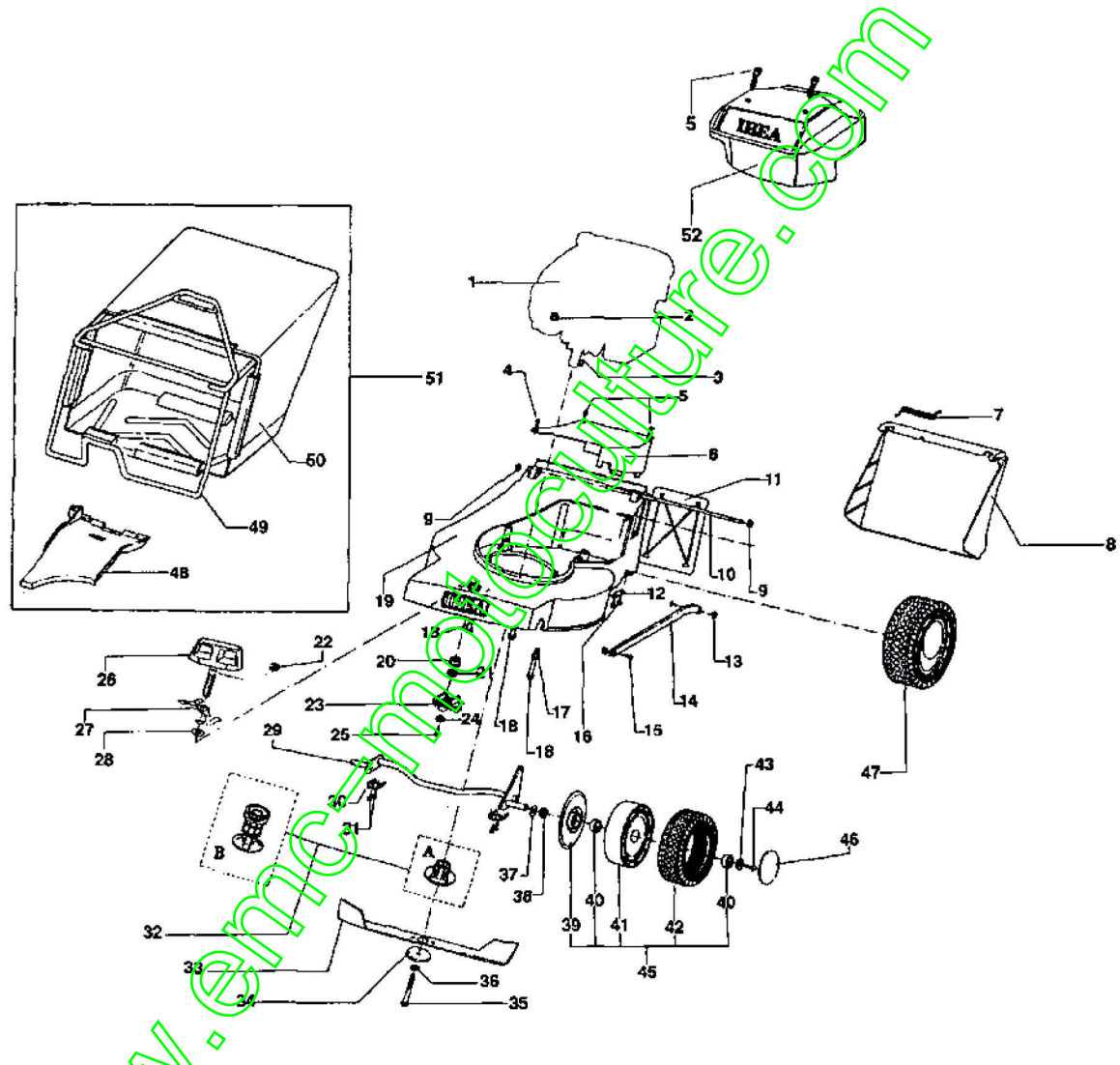
Yvan Béal - 21, av. de l'Agriculture - B.P 16
Z.I. du Brézet - 63014 Clermont-Ferrand Cedex 2
Tél : 04 73 91 93 51 - Télécopie : 04 73 90 23 11
www.yvanbeal.fr - E-mail : info@yvanbeal.fr
R.C.S. N 304 973 895 - S.A.S. au capital de 612 000 €

03-000553-050930

www.emc-motoculture.com

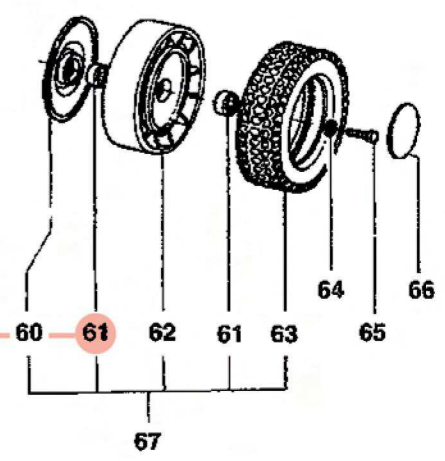
www.emc-motoculture.com

IB-4728 SRB (Serie dal N. 990001)
 VUE D'ENSAMBLE



www.enhanceculture.com

diamètre extérieur du roulement 26 mm
 réf : IBP 3030013

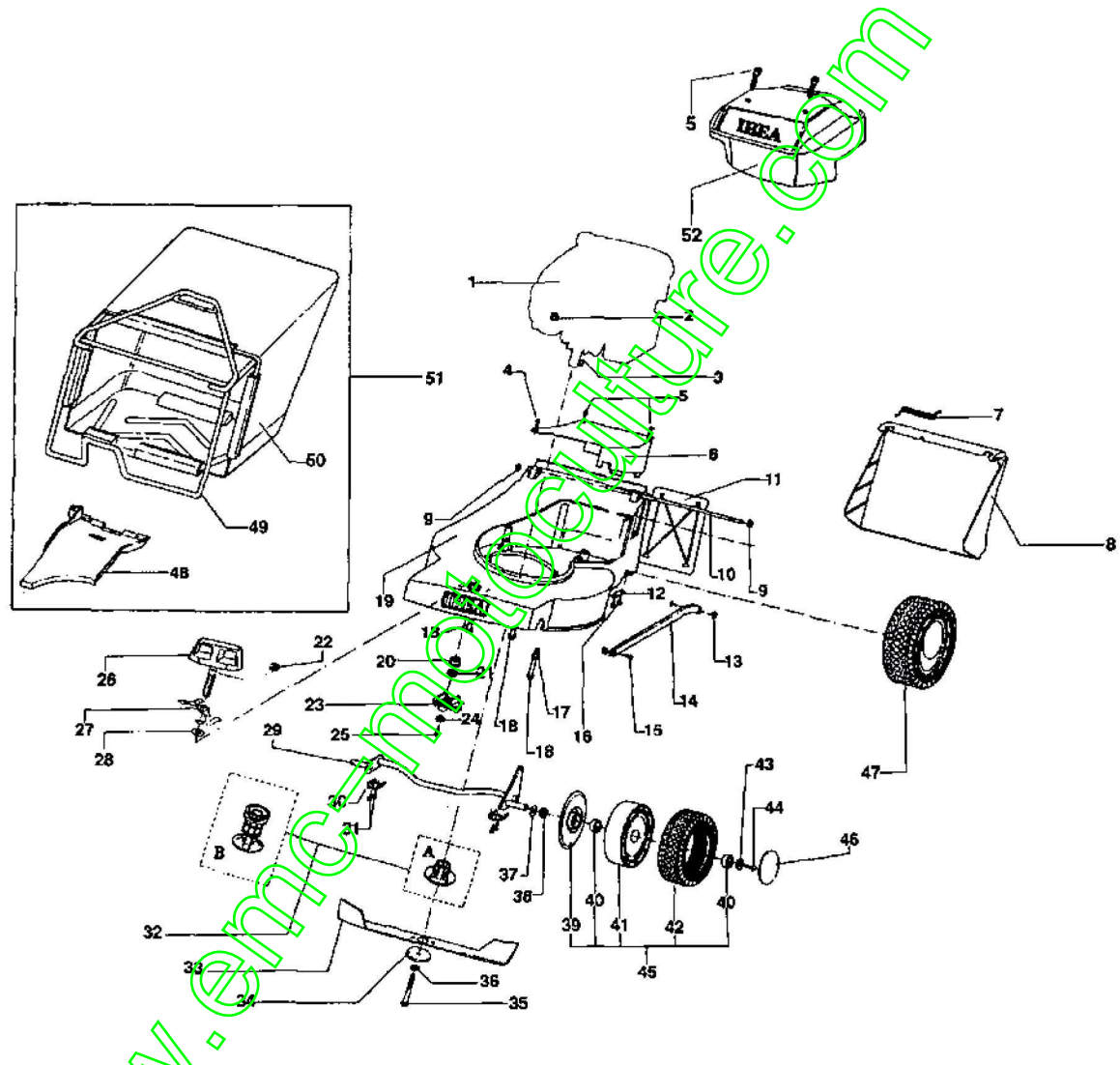


IB-4728 SRB (Serie dal N. 990001)

VUE D'ENSAMBLE

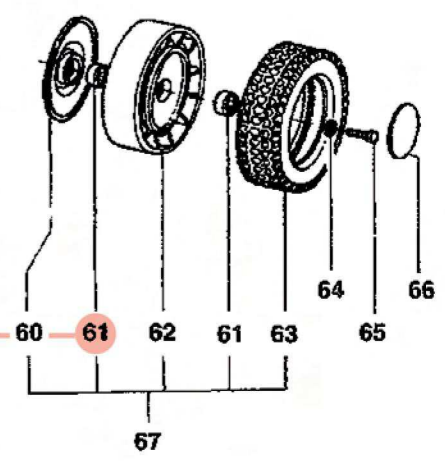
Réf. N°	Code article	Quantité	Description
1	MOTORE	1	MOTEUR
2	P1050011	3	ÉCROU
3	1090001A1	1	LANGUETTE
4	P1010071	3	VIS
5	P1010154	2	VIS
6	P2020051	1	COUVERCLE
7	P3020011	1	RESSORT
8	P2020058B	1	PROTECTION
9	P1060004	2	STARLOCK
10	P01027080	1	ARBRE
11	P2020053	1	COUVERCLE
12	P4080016	2	SUPPORT ESSIEU
13	1060002A1	2	ÉCROU
14	P4010215VE	1	TIGE
15	3040010A1	2	BOULON
16	P1010066	4	VIS
17	1020014A1	3	RONDELLE
18	P1010175	3	VIS
18	P1010098	1	VIS
18	P1010097	3	VIS
18	P1010135	3	VIS
19	P4090008VEB	1	CHÂSSIS
20	P1030005	1	DOUILLE
21	1020010A1	1	RONDELLE
22	P1060017	1	SEGER
23	P2020055	1	ÉCROU
24	1020007A1	1	RONDELLE
25	P1010018	1	VIS
26	P3060087	1	LEVIER RÉG. HAUT. DE COUPE
27	P3020030	1	RESSORT
28	P1020093	1	ÉPAISSEUR
29	P00030380	1	ESSIEU AVANT
30	P4080015	2	SUPPORT
31	P1010074	4	VIS
32	P3040254	1	DOUILLE DE LAME
32	P3040102	1	DOUILLE DE LAME
33	P4050018	1	LAME
34	1110002A1	1	RESSORT À GODET
35	P1010050	1	VIS
36	P1020067	1	RONDELLE
37	P1020050	2	RONDELLE ÉLASTIQUE
38	P2020088	2	DOUILLE
39	P2020377	2	ENJOLIVEUR
40	P3030013	4	PALIER
41	P2020378	2	JANTE
42	P2020078	2	PNEU
43	1020007A1	2	RONDELLE
44	1010018A1	2	VIS

IB-4728 SRB (Serie dal N. 990001)
 VUE D'ENSAMBLE



www.enhanceculture.com

diamètre extérieur du roulement 26 mm
 réf : IBP 3030013



IB-4728 SRB (Serie dal N. 990001)

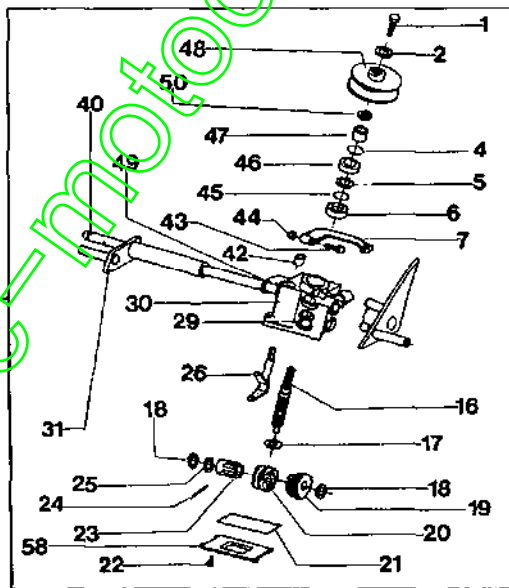
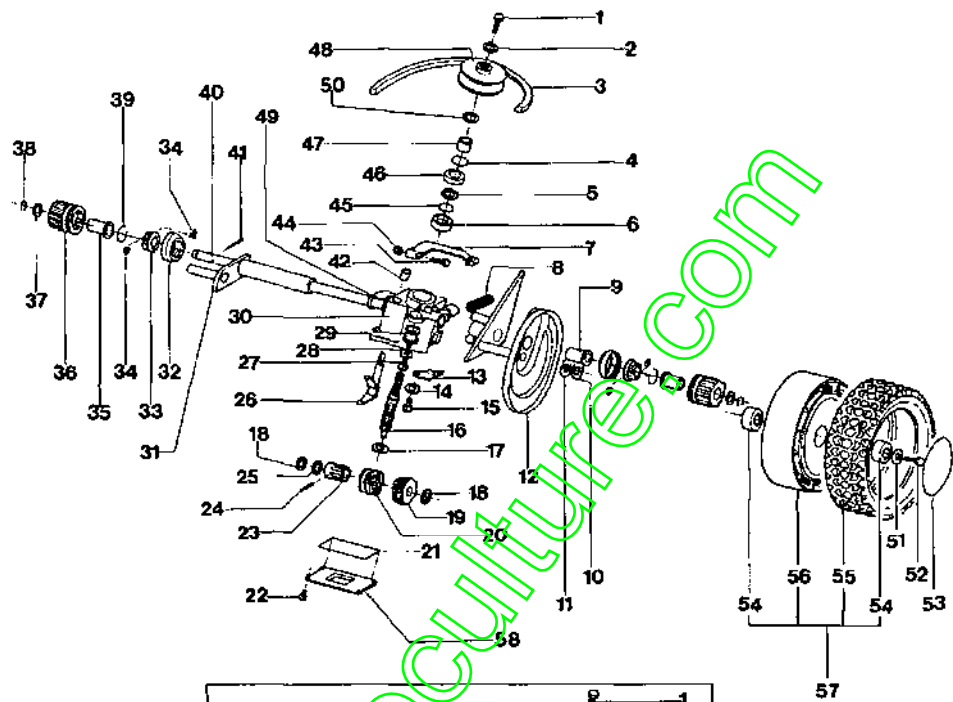
VUE D'ENSAMBLE

Réf. N°	Code article	Quantité	Description
45	P2080002	2	ROUE COMPL.
46	P2020062	2	COUVERCLE
48	P2020104	1	DÉFLECTEUR À HERBE
49	P3100115ZT	1	MONTURE
50	P3160075	1	SAC DE RAMASSAGE
51	P3070008	1	SAC DE RAMASSAGE COMP.
52	P2020165	1	COUVERCLE MOTEUR
60	P2020128	2	PROTECTION 01629-
61	P3030013	4	PALIER 01629-
62	P2020082	2	JANTE 01629-
63	P2020083	2	PNEU 01629-
64	1020007A1	2	RONDELLE 01629-
65	1010018A1	2	VIS 01629-
66	P2020062	2	COUVERCLE 01629-
67	P00015176	2	ROUE COMPL. 01629-

www.emc-motoculture.com

IB-4728 SRB (Serie dal N. 990001)

ESSIEUX ARRIERE ET TRANSMISSION, MODELE TRACTE



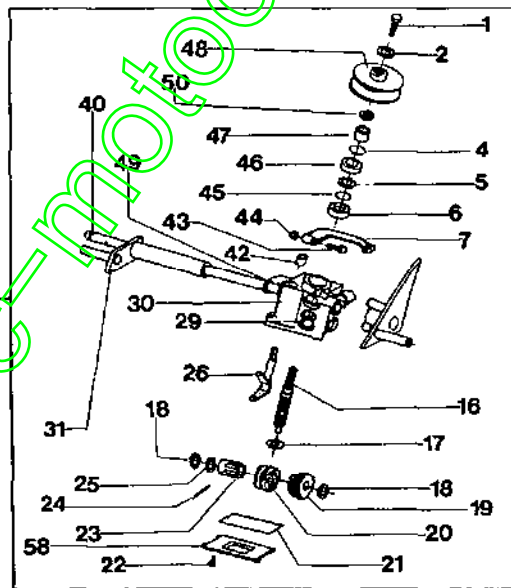
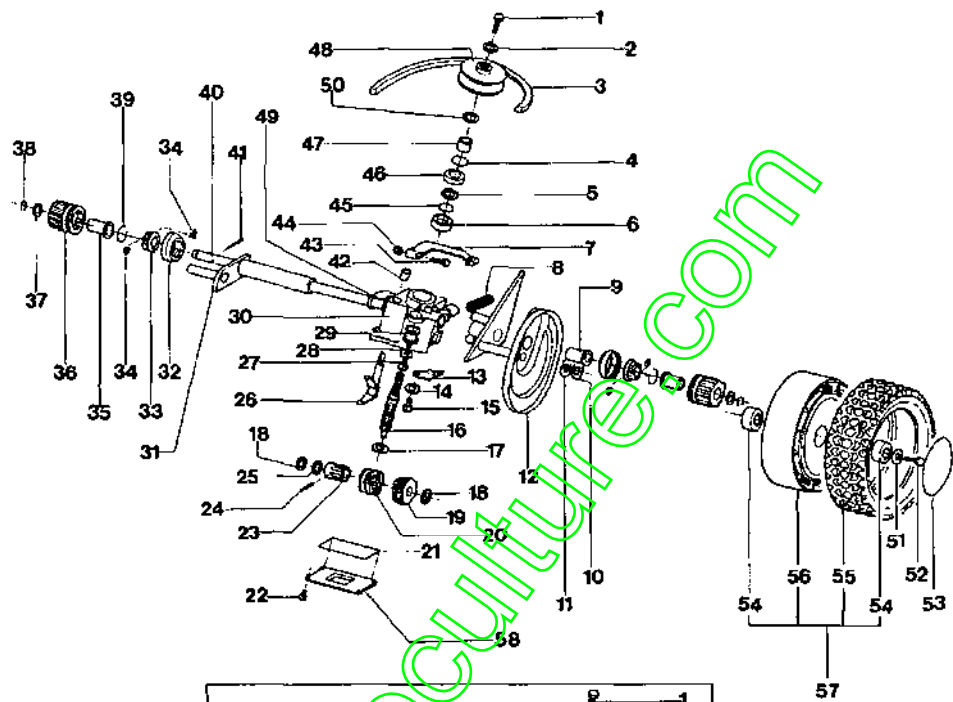
IB-4728 SRB (Serie dal N. 990001)

ESSIEUX ARRIERE ET TRANSMISSION, MODELE TRACTE

Réf. N°	Code article	Quantité	Description
1	1010018A1	1	VIS
2	1020007A1	1	RONDELLE
3	P3010027	1	COURROIRE
4	P3170013	1	JOINT TORIQUE
5	P1020051	1	RONDELLE
6	P3030010	1	PALIER
7	P4070011	1	LEVIER
8	P3020010	1	RESSORT
9	P2020070	2	DOUILLE
10	P2020088	2	DOUILLE
11	P1020050	2	RONDELLE ÉLASTIQUE
12	P4030011	2	PROTECTION
13	P4030010	1	COUVERCLE
14	P1020055	1	RONDELLE
15	P1010076	1	VIS
16	P3040042	1	VIS SANS FIN
17	P1020053	1	DOUILLE
18	1020020A1	2	DOUILLE
19	P00038199	1	ROUE POUR VIS S. FIN
20	P00038099	1	MANCHON
21	P3170014	1	JOINT TORIQUE
22	P1010076	1	VIS
23	P3050030	1	DOUILLE CANNELÉE
24	P1080007	1	GOUPILLE
25	P1020051	1	RONDELLE
26	P3040041	1	FOURCHE
27	1010018A1	1	VIS
28	P1020054	1	RONDELLE
29	P2040010	1	TUBE DE PROTECTION
30	P00039199	1	BOÎTE DE VITESSE
31	P3060040ZT	1	ESSIEU ARRIÈRE
32	P2020060	2	CAGE
33	P2100001	2	CLIQUETTE DE CAMME
34	P2110001	4	CLAVETTE
35	P2020059	2	DOUILLE
36	P3050031	2	PIGNON
37	1020020A1	2	DOUILLE
38	1070001A1	2	SEEGER
39	P3020012	2	RESSORT
40	P3040047	1	ARBRE DE TRACTION
41	P1080004	2	GOUPILLE
42	P3170012	1	JOINT D'ARBRE
43	P1010075	1	VIS
44	1050003A1	1	ÉCROU
45	P1070004	1	SEEGER
46	P3170010	1	JOINT D'ARBRE
47	P3040049	1	DOUILLE
48	P3040244	1	POULIE

IB-4728 SRB (Serie dal N. 990001)

ESSIEUX ARRIERE ET TRANSMISSION, MODELE TRACTE



IB-4728 SRB (Serie dal N. 990001)

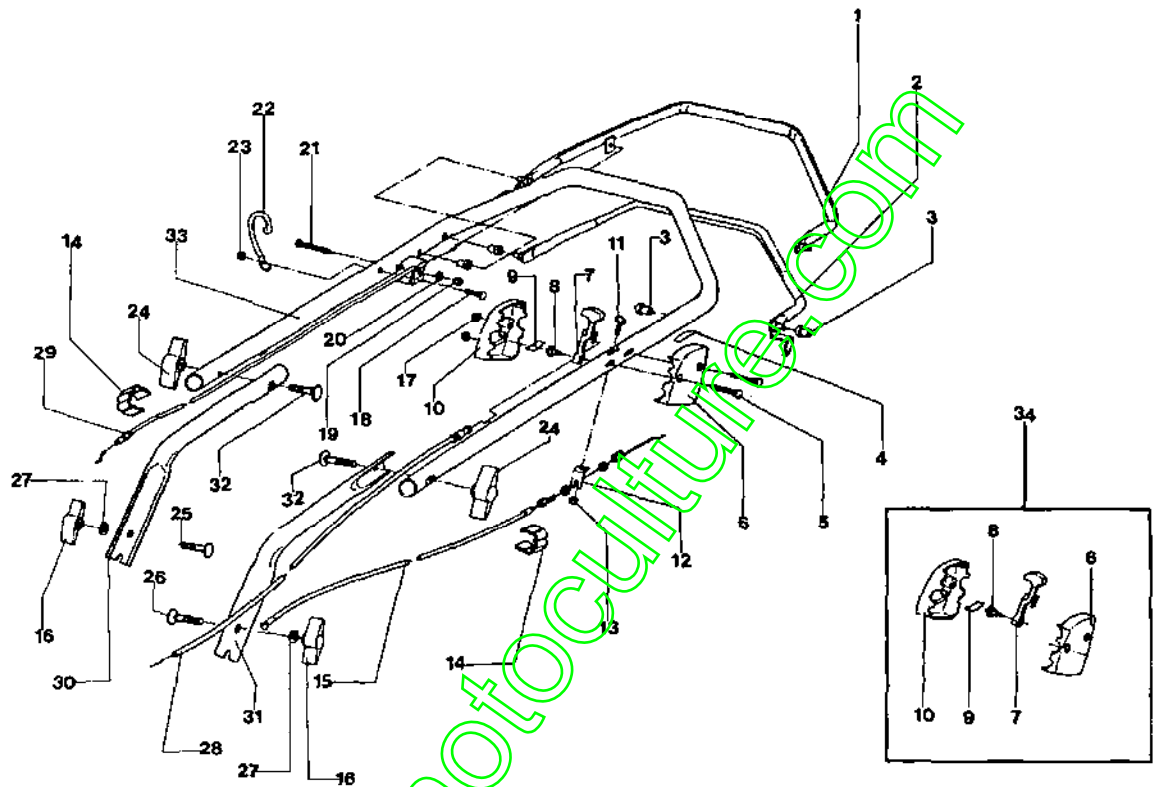
ESSIEUX ARRIERE ET TRANSMISSION, MODELE TRACTE

Réf. N°	Code article	Quantité	Description
49	P3170011	1	JOINT
50	P1020104	1	RONDELLE
51	1020007A1	2	RONDELLE
52	1010018A1	2	VIS
53	P2020062	2	COUVERCLE
54	P3030013	4	PALIER
55	P2020083	2	PNEU
56	P2020084	2	JANTE
57	P00015276	2	ROUE COMPL.
58	P4110001	1	COUVERCLE
59	P2090001	1	TRANSMISSION COMPL.

www.emc-motoculture.com

IB-4728 SRB (Serie dal N. 990001)

GUIDON SUPERIEUR ET ELEMENTS DE COMMANDE, MODELE TRACTE



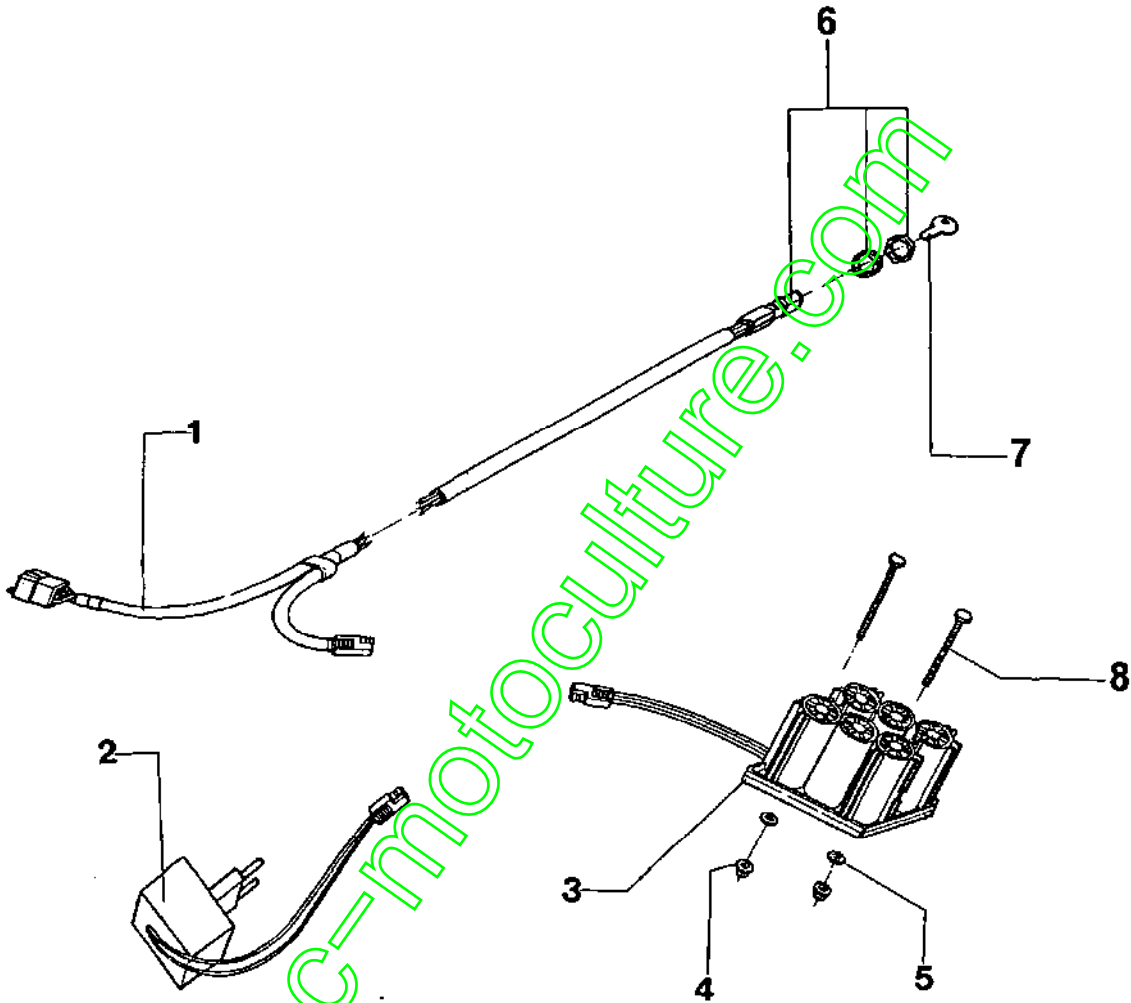
IB-4728 SRB (Serie dal N. 990001)

GUIDON SUPERIEUR ET ELEMENTS DE COMMANDE, MODELE TRACTE

Réf. N°	Code article	Quantité	Description
1	P4080038VE	1	LEVIER SYSTEM 2
2	P02042181	1	POIGNÉE DE TRACTION
3	P2020153	4	DOUILLE
4	P5140552	1	MARQUAGE
5	P1010102	2	VIS
6	P2020107	1	BOÎTE GAUCHE
7	P00065099	1	LEVIER DE GAZ
8	P2020108	1	BOULON
9	P4010059	2	RESSORT
10	P2020106	1	BOÎTE DROITE
11	P1010078	1	VIS
12	P4010060	1	PLAQUE
13	1050003A1	1	ÉCROU
14	P2020080	2	ARRÊT DU CÂBLE
15	P5010029	1	CÂBLE DE TRACTION
16	P2020117	2	ÉCROU DE FIXATION
17	1050003A1	2	ÉCROU
18	P1010065	1	VIS
19	1050003A1	1	ÉCROU
20	1020013A1	1	RONDELLE
21	P1010203	1	VIS
22	P01068343	1	SUPPORT
23	1050002A1	1	ÉCROU
24	2020050A1	2	POIGNÉE
25	P1010125	1	VIS
26	P1010064	1	VIS
27	1020014A1	2	RONDELLE
28	P5020038	1	CÂBLE DE GAZ
28	P5020026	1	CÂBLE DE GAZ
28	P5020032	1	CÂBLE DE GAZ
28	P5020102	1	CÂBLE DE GAZ IB-4712SRS
29	P5010087	1	CÂBLE SYSTEM 2 IB-4206SRB-4706SRB
29	P5010076	1	CÂBLE SYSTEM 2
29	P5010099	1	CÂBLE SYSTEM 2 IB-4712SRS
30	P02068880	1	GUIDON DROITE
31	P02070455	1	GUIDON GAUCHE
32	1010026A1	2	VIS
33	P3120103VE	1	GUIDON SUPÉRIEUR
34	P00035099	1	BOÎTE DE GAZ COMP.
*	P5070005	1	CLIP CORDE DE Démarrage

IB-4728 SRB (Serie dal N. 990001)

DEMARRAGE ELECTRIQUE



www.emc-motoculture.com

IB-4728 SRB (Serie dal N. 990001)

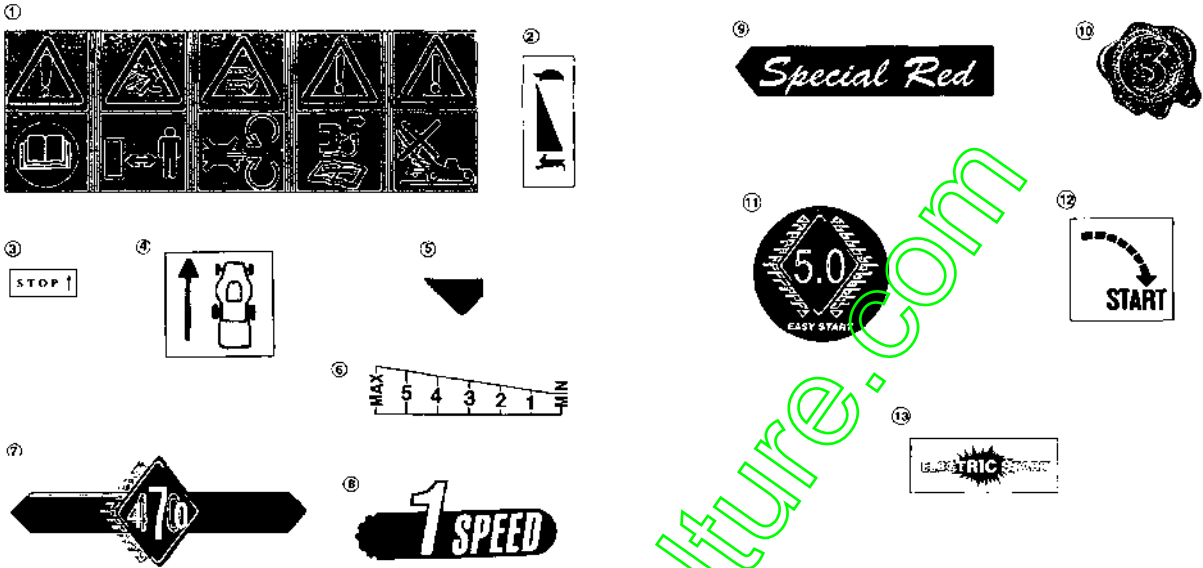
DEMARRAGE ELECTRIQUE

Réf. N°	Code article	Quantité	Description
1	P5030006	1	CÂBLE ÉLECTRIQUE
2	24450010	1	CHARGEUR
3	BATTERIA 12V	1	BATTERIE 12V
4	1050002A1	2	ÉCROU
5	P1020055	2	RONDELLE
6	P5030011	2	CLÉ DE CONTACT
7	P5030010	1	INTERRUPTEUR
8	P1010077	2	VIS

www.emc-motoculture.com

IB-4728 SRB (Serie dal N. 990001)

AUTOCOLLANT



www.emc-motoculture.com

IB-4728 SRB (Serie dal N. 990001)

AUTOCOLLANT

Réf. N°	Code article	Quantité	Description
1	P5140334	1	MARQUAGE
2	P5140552	1	MARQUAGE
3	P5140645	1	MARQUAGE
4	P5140646	1	AUTOCOLLANT TRACTION
5	P5140101	1	MARQUAGE
6	P5140652	1	MARQUAGE
7	P5140736	1	MARQUAGE
8	P5140337	1	MARQUAGE
9	P5140741	1	MARQUAGE
10	P5140531	1	AUTOCOLLANT
11	P5140361	1	AUTOCOLLANT
12	P5140110	1	AUTOCOLLANT
13	P5140109	1	AUTOCOLLANT
*	P5090283 I/E	1	MODE D'EMPLOI
*	P5110008	1	CLEF

www.emc-motoculture.com

12H800

Illustrated Parts List

Model Series

12H800

TYPE NUMBERS
0652 through 6699.

For Use On Engines Built Before Date Code - 02063000

TABLE OF CONTENTS

Alternator	8
Air Cleaner	4
Blower Housing/Shrouds	6
Brake	8
Cams	2
Carburetor	3
Controls	5
Crankcase Cover/Sump	2
Crankshaft	2
Cylinder Group	2
Electric Starter	8
Electrical	8
Flywheel	7
Fuel Tank	5
Governor Spring	5
Ignition	8
Kits/Gaskets	2 & 3
Muffler	4
Oil	2
Piston Group	2
Rewinds	7
Valves	2



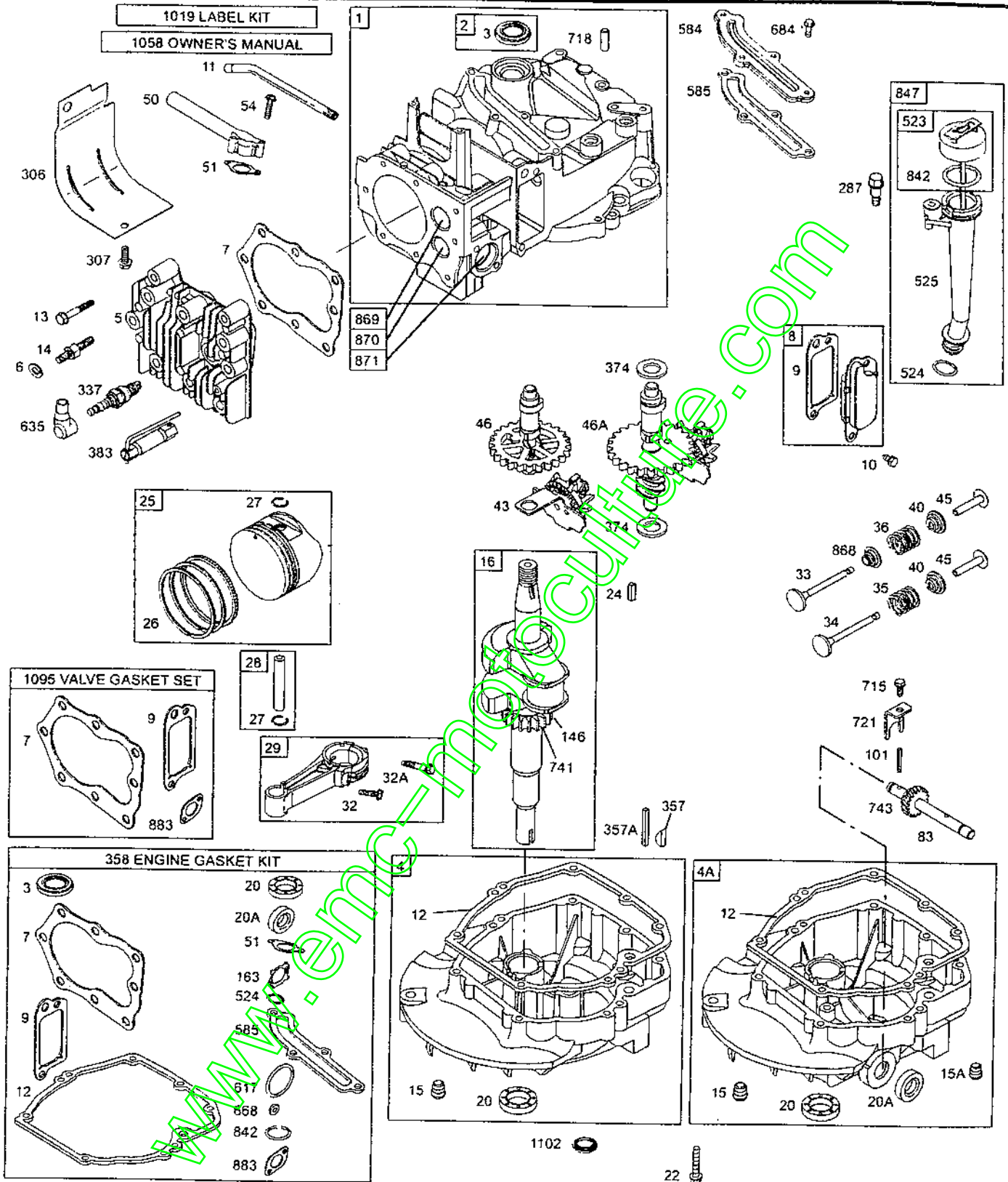
BRIGGS & STRATTON

®

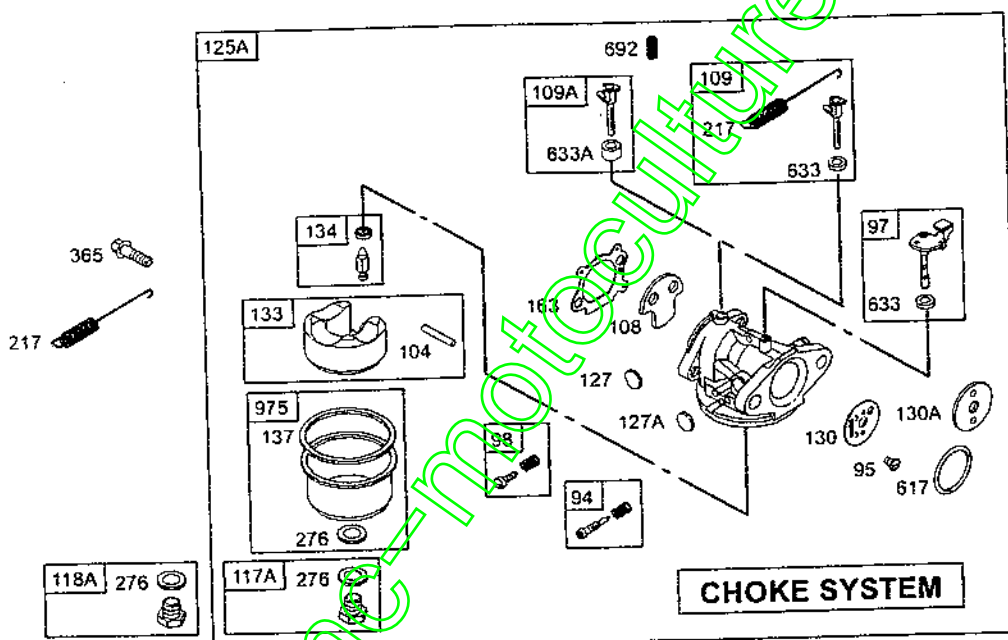
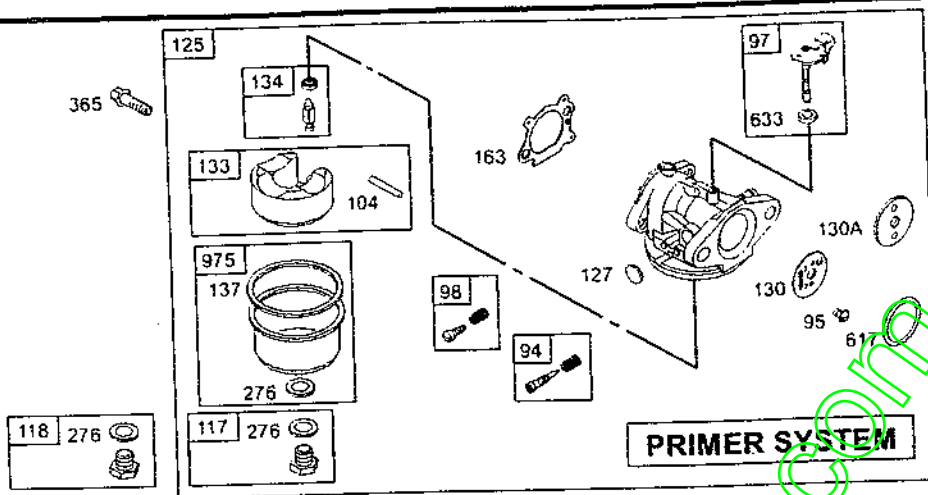
PRINTED IN U.S.A.

COPYRIGHT by BRIGGS & STRATTON CORPORATION
All rights reserved. No part of this material may be reproduced or transmitted,
in any form or by any means, electronic or mechanical, including photocopying,
recording or by any information storage and retrieval system, without permission
in writing from Briggs & Stratton Corporation.

12H800



Illustrations cover a range of engines. Parts shown without corresponding text may not be used on your specific engine.
 0990-2 Assemblies include all parts shown in frames. 6C-6/2002

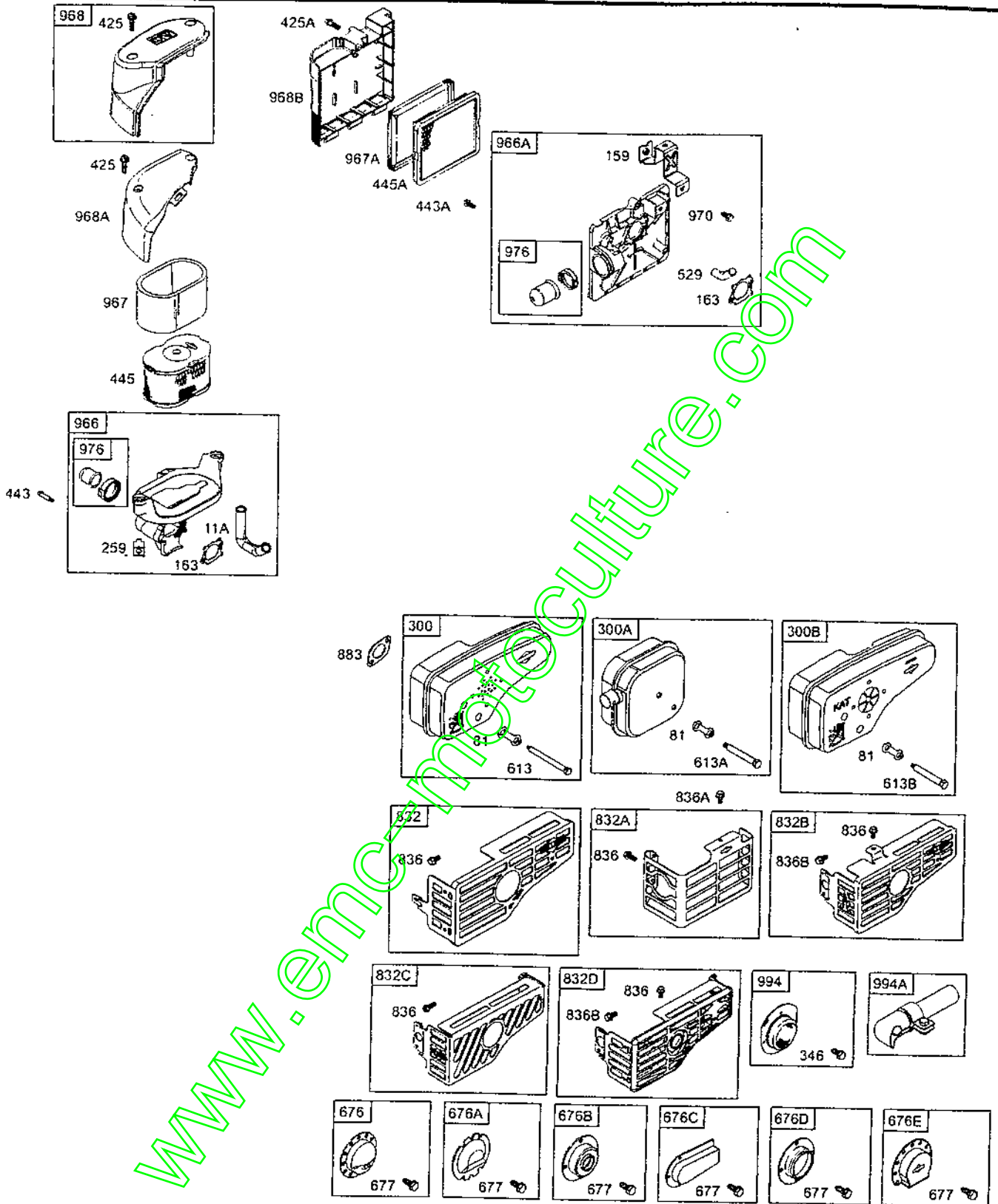


121 CARBURETOR OVERHAUL KIT			
94	134	276	
104		617	
127	137	633	
127A	163	633A	

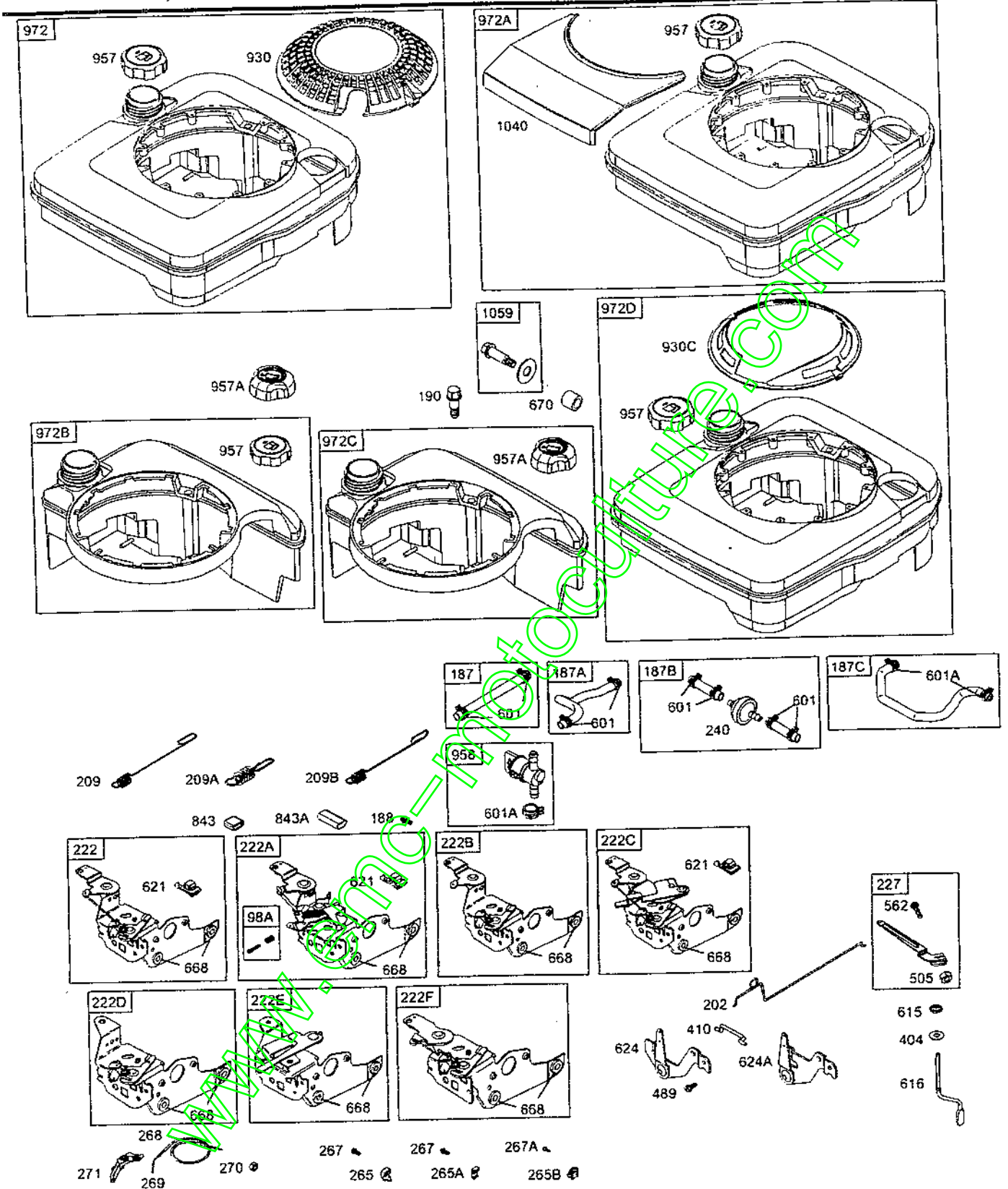
977 CARBURETOR GASKET SET		
137	276	633
163	617	633A

Illustrations cover a range of engines. Parts shown without corresponding text may not be used on your specific engine.
 0990-3 Assemblies include all parts shown in frames. 6C-6/2002

12H800

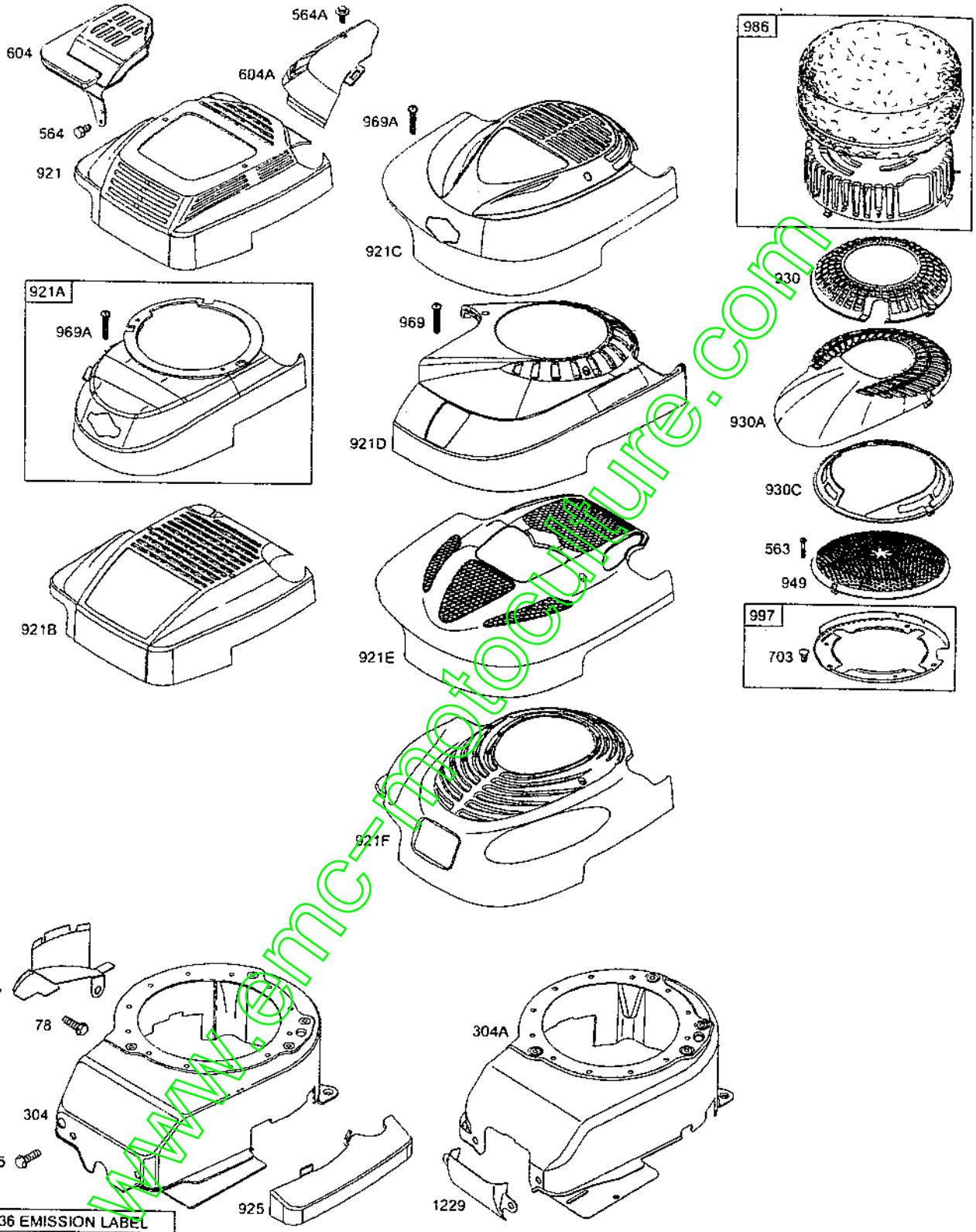


Illustrations cover a range of engines. Parts shown without corresponding text may not be used on your specific engine.
 0990-4 Assemblies include all parts shown in frames. 6C-6/2002

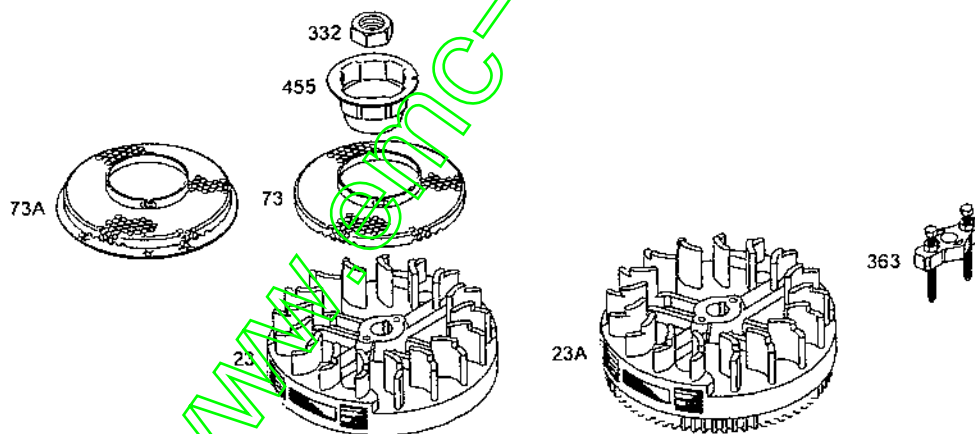
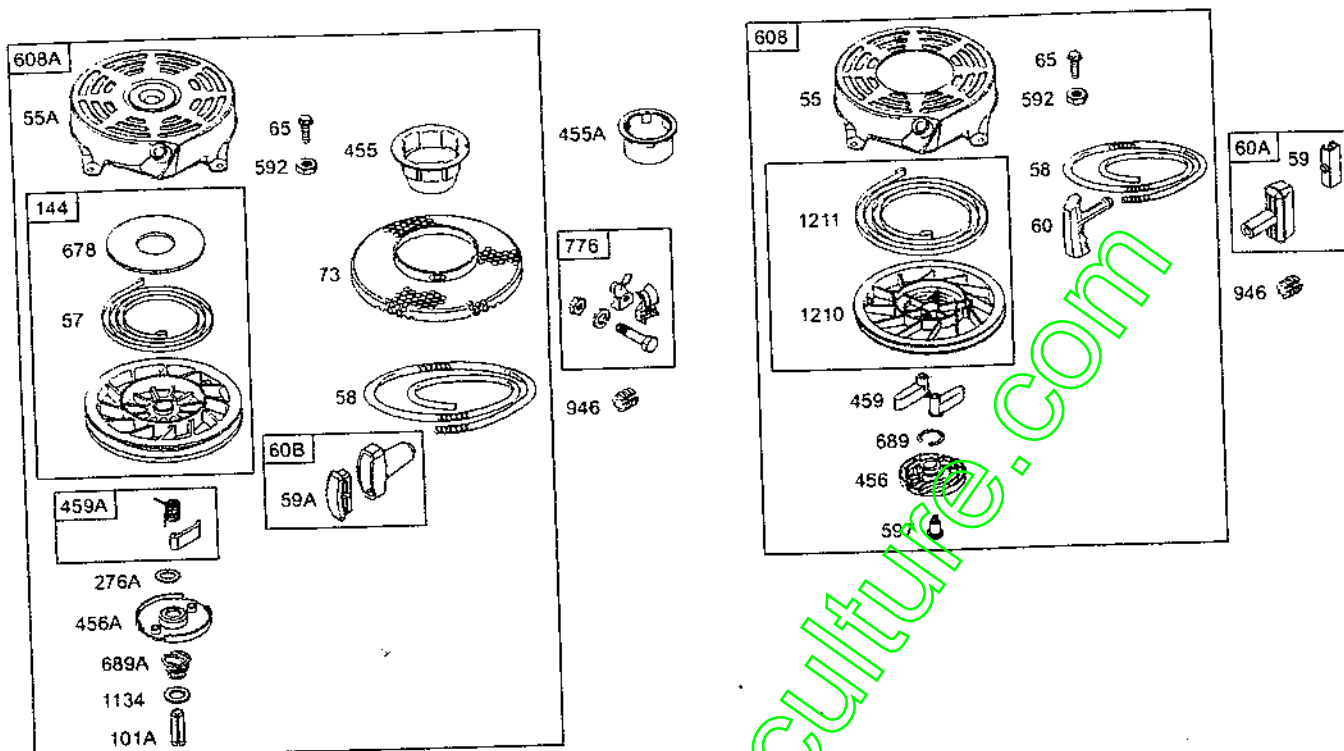


Illustrations cover a range of engines. Parts shown without corresponding text may not be used on your specific engine.
 0990-5 Assemblies include all parts shown in frames. 6C-6/2002

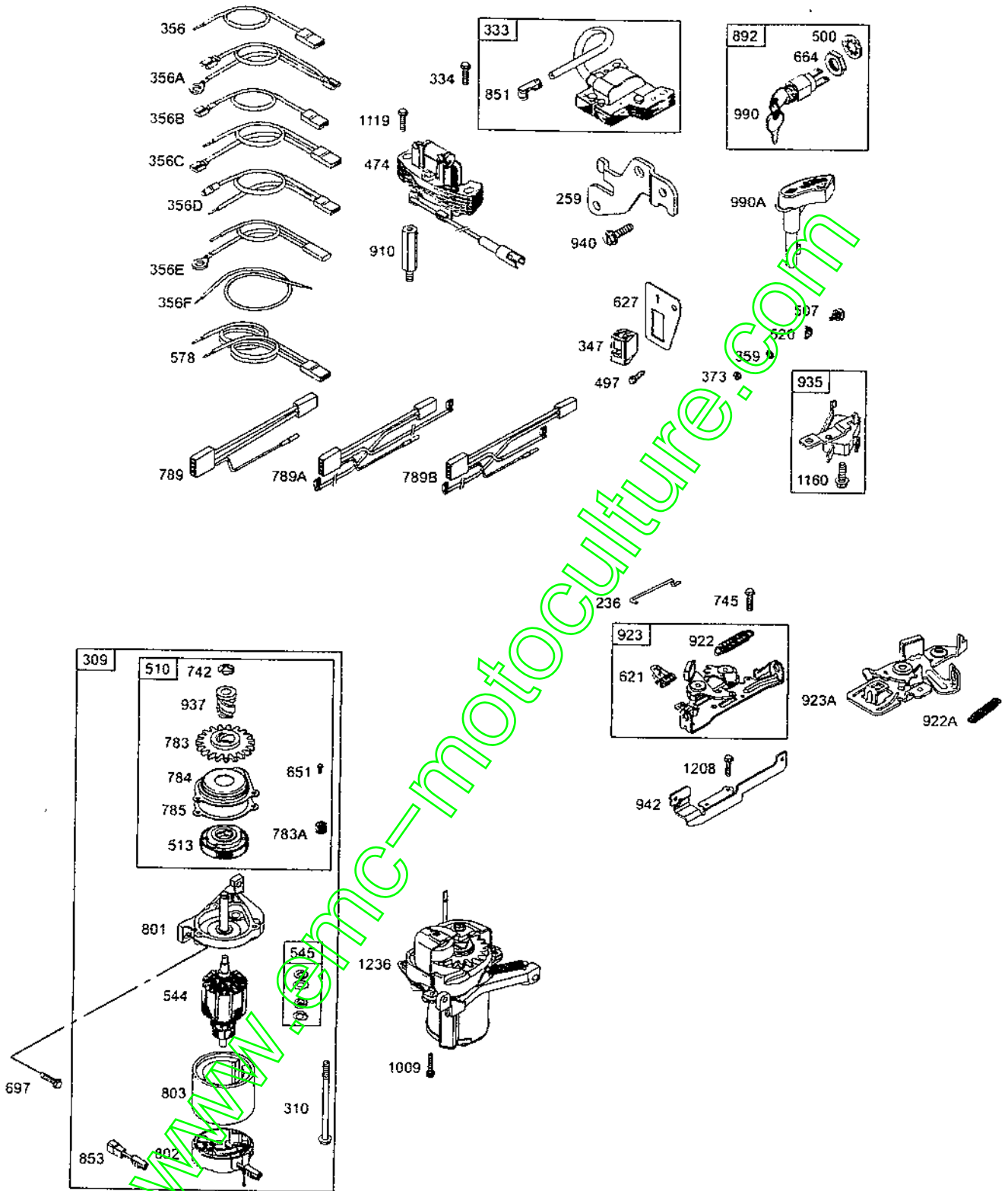
12H800



Illustrations cover a range of engines. Parts shown without corresponding text may not be used on your specific engine.
 0990-6 Assemblies include all parts shown in frames. 6C-6/2002



Illustrations cover a range of engines. Parts shown without corresponding text may not be used on your specific engine.
 0990-7 Assemblies include all parts shown in frames. 6C-6/2002



Illustrations cover a range of engines. Parts shown without corresponding text may not be used on your specific engine.
 0990-8 Assemblies include all parts shown in frames. 6C-6/2002

REF. NO.	PART NO.	DESCRIPTION	REF. NO.	PART NO.	DESCRIPTION	REF. NO.	PART NO.	DESCRIPTION	
1	493260	Cylinder Assembly		2678, 2679, 3120,			691375	Crankshaft (Used Before Code Date 97011300).	
2	399269	Kit-Bushing/Seal (Magneto Side)		3123, 3167, 3176.				Used on Type No(s). 1149, 1548.	
3	*299819	Seal-Oil (Magneto Side)		493282 Crankshaft (Used Before Code Date 97011300).					
4	493279	Sump-Engine Note		Used on Type No(s). 0823, 1520, 1530, 1531, 1532, 1533, 1567, 2630, 2631.			692980	Crankshaft (Used After Code Date 97011200).	
		498983 Sump-Engine Used on Type No(s). 1167, 1715, 1955, 2320, 2324, 2331, 2367, 2673, 2681, 3182.		691452 Crankshaft (Used After Code Date 97011200).				Used on Type No(s). 0658, 0660, 1570, 1758, 1760, 1763, 2634, 2670.	
		696294 Sump-Engine Used on Type No(s). 1717, 1718, 1719, 1754, 2326, 3181.		Used on Type No(s). 0664, 0665, 0666, 0670, 0671, 0672, 0840, 0866, 0868, 0873, 0877, 1150, 1166, 1170, 1171, 1332, 1366, 1368, 1370, 1371, 1372, 1544, 1559, 1569, 1770, 1771, 1784, 1919, 1920, 1926, 1932, 1935, 1936, 1941, 1942, 1949, 1947, 1966, 1973, 1976, 1977, 1983, 1985, 1986, 1991, 1992, 2350, 2644, 2669, 2676, 3130, 3132, 3166, 3169, 3181, 3313, 3314, 3315.				692005	Crankshaft (Used Before Code Date 97011300).
4A	493365	Sump-Engine (Auxiliary PTO)		694059 Crankshaft (Used Before Code Date 97011300).				Used on Type No(s). 0658, 0660, 1758, 2634.	
5	691160	Head-Cylinder		Used on Type No(s). 0866, 0868, 0873, 0877, 1166, 1170, 1332, 1366, 1368, 1370, 1371, 1544, 1559, 1569, 1977.				692822	Crankshaft Used on Type No(s). 1766.
7	*692249	Gasket-Cylinder Head		691455 Crankshaft (Used After Code Date 97011200).				Used on Type No(s). 1720, 1776, 1778.	
8	495786	Breather Assembly		Used on Type No(s). 1149, 1548, 1925, 2312, 2313, 2314, 2315, 2316, 2324, 2328, 2349, 2352, 2360, 2370, 2373, 2381, 2383, 2384, 2394, 2395, 2396, 3172, 3173.				696290	Crankshaft Used on Type No(s). 2320.
9	*272481	Gasket-Breather							
10	94650	Screw (Breather Assembly)							
11	691781	Tube-Breather							
12	*692232	Gasket-Crankcase							
13	690912	Screw (Cylinder Head)							
15	691680	Plug-Oil Drain (Square Socket)							
15A	691093	Plug-Oil Drain (Hex Socket)							
16	691451	Crankshaft (Used After Code Date 97011200).							
		Note							
		493362 Crankshaft (Used Before Code Date 97011300).							
		691450 Crankshaft (Used After Code Date 97011200).							
		Used on Type No(s). 0823, 1520, 1530, 1531, 1532, 1533, 1567, 1718, 1789, 1923, 1939, 1940, 1950, 1951, 1952, 1979, 1980, 1987, 2375, 2376, 2379, 2380, 2609, 2610, 2611, 2612, 2630, 2631, 2667, 2677.							

* Included in Engine Gasket Set-Ref. No.358.
● Included in Carburetor Overhaul Kit-Ref. No. 121.

◆ Included in Carburetor Gasket Set-Ref. No. 977.
◊ Included in Valve Gasket Set-Ref. No 1095.

Illustrations cover a range of engines. Parts shown without corresponding text may not be used on your specific engine.
0990-9 Assemblies include all parts shown in frames. 6C-6/2002

12H800

REF. NO.	PART NO.	DESCRIPTION	REF. NO.	PART NO.	DESCRIPTION	REF. NO.	PART NO.	DESCRIPTION
20	*399781	Seal-Oil (PTO Side)	25	499429	Piston Assembly (Standard) (Used After Code Date 97011200).	26	499425	Ring Set (Standard) (Used After Code Date 97011200).
20A	*691952	Seal-Oil (PTO Side) (Auxilliary PTO)			Note			Note
22	691092	Screw (Crankcase Cover/ Sump)		493262	Piston Assembly (Standard) (Used Before Code Date 97011300).		493261	Ring Set (Standard) (Used Before Code Date 97011300).
23	692315	Flywheel (Rewind Start)						
23A	691987	Flywheel (Electric Start)		499430	Piston Assembly (.010" Oversize) (Used After Code Date 97011200).		499426	Ring Set (.010" Oversize) (Used After Code Date 97011200).
		Note 691992 Flywheel (Electric Start) Used on Type No(s). 0667, 1149, 1167, 1369, 1548, 1559, 1569, 1714, 1715, 1919, 1932, 1941, 1942, 1955, 2320, 2324, 2331, 2349, 2367, 2383, 2391, 2635, 2669, 2673, 2681, 3133, 3178, 3179, 3183. 696291 Flywheel (Electric Start) Used on Type No(s). 1717, 1718, 1719, 1754, 2326, 3181.		493385	Piston Assembly (.010" Oversize) (Used Before Code Date 97011300).		493388	Ring Set (.010" Oversize) (Used Before Code Date 97011300).
24	222698	Key-Flywheel		499431	Piston Assembly (.020" Oversize) (Used After Code Date 97011200).		499427	Ring Set (.020" Oversize) (Used After Code Date 97011200).
				493386	Piston Assembly (.020" Oversize) (Used Before Code Date 97011300).		493389	Ring Set (.020" Oversize) (Used Before Code Date 97011300).
				499432	Piston Assembly (.030" Oversize) (Used After Code Date 97011200).		499428	Ring Set (.030" Oversize) (Used After Code Date 97011200).
				493387	Piston Assembly (.030" Oversize) (Used Before Code Date 97011300).	27	691866	Lock-Piston Pin (Used After Code Date 97011200).
								Note 691588 Lock- Piston Pin (Used Before Code Date 97011300).

* Included in Engine Gasket Set-Ref. No.358.

● Included in Carburetor Overhaul Kit-Ref. No. 121.

◆ Included in Carburetor Gasket Set-Ref. No. 977.

⊗ Included in Valve Gasket Set-Ref. No 1095.

Illustrations cover a range of engines. Parts shown without corresponding text may not be used on your specific engine.

0990-10

Assemblies include all parts shown in frames.

6C-6/2002

REF. NO.	PART NO.	DESCRIPTION	REF. NO.	PART NO.	DESCRIPTION	REF. NO.	PART NO.	DESCRIPTION
28	499423	Pin-Piston (Standard) (Used After Code Date 97011200). Note 298909 Pin-Piston (Standard) (Used Before Code Date 97011300). 298908 Pin-Piston (.005" Oversize) (Used Before Code Date 97011300).	43	691997	Slinger-Governor/Oil Note 691486 Slinger-Governor/Oil Used on Type No(s). 1167, 1715, 2367, 2673, 3183.	50	497465	Manifold-Intake
29	499424	Rod-Connecting (Standard) (Used After Code Date 97011200). Note 490566 Rod-Connecting (Standard) (Used Before Code Date 97011300). 490743 Rod-Connecting (.020" Undersize) (Used Before Code Date 97011300).	45	690548	Tappet-Valve	51	*272199	Gasket-Intake
32	691664	Screw (Connecting Rod)	46	691449	Camshaft (Used After Code Date 96060200). Note 492830 Camshaft (Used Before Code Date 96060300).	54	691650	Screw (Intake Manifold)
32A	695759	Screw (Connecting Rod) (Used After Code Date 00042200).	46A	691460	Camshaft (Clockwise) (Used After Code Date 96060200). Used on Type No(s). 0823, 1923. Note 493740 Camshaft (Clockwise) (Used Before Code Date 96060300). Used on Type No(s). 0823. 691459 Camshaft (Counterclockwise) (Used After Code Date 96060200). Used on Type No(s). 0662, 1315, 1367, 1538, 1762, 1934, 1947, 1949, 1982, 1989, 2312, 2313, 2314, 2315, 2316, 2330, 2351, 2352, 2360, 2378, 2385, 2394, 3115, 3173. 493738 Camshaft (Counterclockwise) (Used Before Code Date 96060300). Used on Type No(s). 1538	55	691421	Housing-Rewind Starter
33	262651	Valve-Exhaust				58	280399	Rope-Starter (Cut To Required Length)
34	262652	Valve-Intake				60	281434	Grip-Starter Rope
35	691270	Spring-Valve (Intake)				65	650837	Screw (Rewind Starter)
36	691270	Spring-Valve (Exhaust)				78	691108	Screw (Flywheel Guard)
37	694086	Guard-Flywheel				81	691740	Lock-Muffler Screw
40	692194	Retainer-Valve				83	691778	Shaft-Auxiliary Drive Used on Type No(s). 0823, 1923, 1947, 1949, 1989. Note 690527 Shaft-Auxiliary Drive Used on Type No(s). 0662, 1315, 1538, 1762, 2312, 2313, 2314, 2315, 2316, 2351, 2352, 2360, 2378, 2385, 2394, 3115, 3173. 690521 Shaft-Auxiliary Drive Used on Type No(s). 1934, 1982, 2330.
						95	691636	Screw (Throttle Valve)
						97	493267	Shaft-Throttle Note 696565 Shaft-Throttle (Primer System) (Used After Code Date 01040800).
						98A	493280	Kit-Idle Speed
						101	691623	Pin-Shaft
						104	*691242	Pin-Float Hinge
						108	691182	Valve-Choke
						109A	498593	Shaft-Choke

* Included in Engine Gasket Set-Ref. No.358.
● Included in Carburetor Overhaul Kit-Ref. No. 121.

◆ Included in Carburetor Gasket Set-Ref. No. 977.
⊗ Included in Valve Gasket Set-Ref. No 1095.

Illustrations cover a range of engines. Parts shown without corresponding text may not be used on your specific engine.
Assemblies include all parts shown in frames.

12H800

REF. NO.	PART NO.	DESCRIPTION	REF. NO.	PART NO.	DESCRIPTION	REF. NO.	PART NO.	DESCRIPTION
117	494870	Jet—Main (Standard) ———— Note ——— 497466 Jet—Main (Standard) Used on Type No(s). 1538. 498977 Jet—Main (Standard) Used on Type No(s). 0664, 0665, 0666, 0667, 0671, 0672, 1149, 1167, 1170, 1368, 1369, 1370, 1373, 1548.	125	498170	Carburetor (Primer System) (Used After Code Date 95102900). ———— Note ——— 498254 Carburetor (Primer System) Used on Type No(s). 1538.	133	398187	Float—Carburetor
117A	498978	Jet—Main (Standard)	125A	499059	Carburetor (Choke System) Used on Type No(s). 1714, 1715, 1777, 1926, 1932, 1942, 1955, 2329, 2331, 2349, 2367, 2383, 2391, 2635, 2673, 2681, 3178, 3183. ———— Note ——— 498965 Carburetor (Choke System) Used on Type No(s). 0664, 0665, 0666, 0667, 0671, 0672, 1149, 1167, 1170, 1368, 1369, 1370, 1373, 1548.	134	●398188	Kit—Needle/Seat
118	497315	Jet—Main (High Altitude) 496495 Jet—Main (High Altitude) Used on Type No(s). 1538. 498978 Jet—Main (High Altitude) Used on Type No(s). 0664, 0665, 0666, 0667, 0671, 0672, 1149, 1167, 1170, 1368, 1369, 1370, 1373, 1548.	127	●694468	Plug—Weld	137	◆◆693981	Gasket—Float Bowl
118A	498975	Jet—Main (High Altitude)	130	691203	Valve—Throttle ———— Note ——— 696564 Valve—Throttle (Primer System) (Used After Code Date 01040800).	146	690979	Key—Timing
121	498260	Kit—Carburetor Overhaul				159	691753	Bracket—Air Cleaner Primer
						163	◆◆272653	Gasket—Air Cleaner
						187	691050	Line—Fuel (15" Long) (Cut to Required Length)
						187A	691371	Line—Fuel (Molded)
						187B	692042	Line—Fuel (Included Filter) (1 1/3" And 4 5/8" Long) (Cut to Required Length)
						187C	696292	Line—Fuel (Molded) Used on Type No(s). 1717, 1718, 1719, 1754, 2326, 3181.
						188	690877	Screw. (Control Bracket)
						190	690940	Screw (Fuel Tank)
						202	691829	Link—Mechanical Governor

* Included in Engine Gasket Set—Ref. No. 358.

● Included in Carburetor Overhaul Kit—Ref. No. 121.

◆ Included in Carburetor Gasket Set—Ref. No. 977.

⊗ Included in Valve Gasket Set—Ref. No. 1095.

Illustrations cover a range of engines. Parts shown without corresponding text may not be used on your specific engine.

0990-12

Assemblies include all parts shown in frames.

6C-6/2002

REF. NO.	PART NO.	DESCRIPTION	REF. NO.	PART NO.	DESCRIPTION	REF. NO.	PART NO.	DESCRIPTION
209	691864	Spring-Governor (Light Blue) Used on Type No(s). 2329, 2349. Note 690242 Spring-Governor (Orange) Used on Type No(s). 1932. 690241 Spring-Governor Used on Type No(s). 3183.	209B	691851	Spring-Governor (Yellow) Note 691290 Spring-Governor (Meadow Green, 436 Load) Used on Type No(s). 1714, 2367, 2673, 2635, 2681. 691291 Spring-Governor (Red) Used on Type No(s). 1715, 1777, 1942, 1955, 1986, 2320, 2324, 2331, 2349, 2391, 3178. 690319 Spring-Governor (White) Used on Type No(s). 0652, 0656, 0661, 0662, 0822, 0824, 0828, 0837, 0838, 0839, 0877, 1148, 1315, 1316, 1322, 1324, 1325, 1332, 1534, 1540, 1544, 1547, 1569, 1570, 1571, 1721, 1752, 1754, 1756, 1761, 1762, 1764, 1770, 1771, 1784, 1922, 1928, 1934, 1937, 1938, 1947, 1949, 1977, 1978, 1982, 1983, 1987, 1989, 1990, 2312, 2314, 2316, 2319, 2323, 2326, 2328, 2330, 2348, 2351, 2371, 2372, 2378, 2381, 2384, 2385, 2386, 2387, 2388, 2389,			2390, 2394, 2395, 2396, 2632, 2634, 2641, 2642, 2643, 2644, 2645, 2646, 2647, 2348, 2670, 2671, 2672, 2675, 2676, 2680, 2682, 2684, 2685, 3115, 3116, 3122, 3124, 3127, 3128, 3129, 3132, 3172, 3173, 3174, 3180, 3306, 3307, 3308, 3312, 3509, 6699. 691292 Spring-Governor (Black) Used on Type No(s). 0658, 0840, 0866, 0868, 0873, 1150, 1166, 1171, 1365, 1366, 1367, 1371, 1372, 1520, 1559, 1717, 1718, 1719, 1758, 1760, 1763, 1764, 1765, 1766, 1767, 1768, 1775, 1778, 1925, 1926, 1936, 1940, 1943, 1966, 1974, 1976, 1985, 1991, 1992, 2352, 3125, 3130, 3165, 3179, 3181, 3314, 3315. 691852 Spring-Governor (Purple) Used on Type No(s). 0670, 1720, 2379, 2380, 3169. 693187 Spring-Governor (Silver) Used on Type No(s). 2383, 2683.
209A	690567	Spring-Governor (Platinum) Used on Type No(s). 1167. Note 690568 Spring-Governor (Navajo White) Used on Type No(s). 1149, 1548. 691835 Spring-Governor (Meadow Green, 365 Load) Used on Type No(s). 0664, 0665, 0666, 0667, 1170, 1368, 1369, 1370, 1373. 262663 Spring-Governor (Purple) Used on Type No(s). 0671, 0672.						

- * Included in Engine Gasket Set-Ref. No.358.
- Included in Carburetor Overhaul Kit-Ref. No. 121.

- ◆ Included in Carburetor Gasket Set-Ref. No. 977.
- ⊗ Included in Valve Gasket Set-Ref. No 1095.

Illustrations cover a range of engines. Parts shown without corresponding text may not be used on your specific engine.

12H800

REF. NO.	PART NO.	DESCRIPTION	REF. NO.	PART NO.	DESCRIPTION	REF. NO.	PART NO.	DESCRIPTION
217	690354	Spring-Choke Return	276	271716	Washer-Sealing (Main Jet)	305	691108	Screw (Blower Housing)
222	692031	Bracket-Control (Remote/Manual Friction)(Primer)	287	690940	Screw (Dipstick Tube)	306	690450	Shield-Cylinder
222A	692021	Bracket-Control (Remote, Choke A Matic, Non Compliance)	300	692038	Muffler (Super Lo Tone)	307	690345	Screw (Cylinder Shield)
	690839	Bracket-Control (Manual Friction) (Choke A Matic) Used on Type No(s). 1149, 1167, 1548.	300A	494343	Muffler (Square Lo Tone)	309	695550	Motor-Starter (Used After Code Date 00040600).
222B	693006	Bracket-Control (Fixed Speed Auto Primer Control)	300B	497681	Muffler (Catalyst)			Note
222C	692150	Bracket-Control (Variable Speed) (5 Position Manual Choke)	304	493293	Housing-Blower			691376 Motor-Starter (Used Before Code Date 00040700).
222D	692467	Bracket-Control (Fixed Speed)		493294	Housing-Blower	310	692327	Bolt (Starter Motor)
222E	692982	Bracket-Control (Manual Friction, 5 Position Manual Choke)			Used on Type No(s). 0666, 0667, 0868, 1149, 1150, 1167, 1171, 1369, 1548, 1559, 1569, 1714, 1715, 1766, 1777, 1919, 1926, 1932, 1941, 1942, 1955, 1988, 2320, 2324, 2329, 2331, 2349, 2350, 2367, 2383, 2391, 2636, 2669, 2673, 2681, 3110, 3120, 3123, 3133, 3167, 3176, 3178, 3179, 3183.	332	690662	Nut (Flywheel)
227	690783	Lever-Governor Control			695892 Housing-Blower	333	802574	Armature-Magneto
236	691826	Link-Lockout			Used on Type No(s). 1721, 1784, 1989, 2320, 2360, 2370, 2384, 2385, 2386, 2389, 2390, 2394, 2395, 2641, 2643, 2646, 2684, 2685, 3129, 3180, 3182, 3308, 3509.	334	691061	Screw (Magneto Armature)
240	298090	Filter-Fuel			696298 Housing-Blower	337	802592	Plug-Spark
259	691223	Bracket-Casing Clamp (Control Wire Casing)			Used on Type No(s). 1717, 1718, 1719, 1754, 2326, 3181.	346	690661	Screw (Spark Arrestor)
265	690798	Clamp-Casing				347	691396	Switch-Rocker
267	691044	Screw (Casing Clamp)				356	692390	Wire-Stop
268	691072	Casing-Control Wire (48" Long) (Cut to Required Length)				356A	690650	Wire-Stop
269	691589	Wire-Control (54" Long) (Cut to Required Length)				356B	693010	Wire-Stop
270	691027	Nut (Control Wire Casing)				356D	496381	Wire-Stop
271	691028	Lever-Control				356F	494250	Wire-Stop
						358	497316	Gasket Set-Engine
						359	691077	Washer (Ground Terminal)
						363	19069	Flywheel Puller
						365	692524	Screw (Carburetor)
						373	691612	Nut (Ground Terminal)
						374	691074	Washer (Camshaft)
						383	89838	Wrench-Spark Plug
						404	690272	Washer (Governor Crank)
						425A	690670	Screw (Air Cleaner Cover)
						443A	692523	Screw (Air Cleaner Primer Base)

* Included in Engine Gasket Set-Ref. No.358.

• Included in Carburetor Overhaul Kit-Ref. No. 121.

• Included in Carburetor Gasket Set-Ref. No. 977.

⊗ Included in Valve Gasket Set-Ref. No 1095.

Illustrations cover a range of engines. Parts shown without corresponding text may not be used on your specific engine.

0990-14

Assemblies include all parts shown in frames.

6C-6/2002

REF. NO.	PART NO.	DESCRIPTION	REF. NO.	PART NO.	DESCRIPTION	REF. NO.	PART NO.	DESCRIPTION
445A	491588	Filter—Air Cleaner Cartridge	601	95162	Clamp—Hose	689	691855	Spring—Friction
455	695161	Cup—Flywheel	604	691757	Cover—Control	692	690572	Spring—Detent
456	692299	Plate—Pawl Friction	604A	691344	Cover—Control	697	691127	Screw (Drive Cap)
459	281505	Plate—Ratchet	608	497680	Starter—Rewind	715	691693	Screw (Shaft Stop)
474	691991	Alternator	613	691340	Screw (Muffler)	718	690959	Pin—Locating
497	690664	Screw (Stop Switch Bracket)	613A	691653	Screw (Muffler)	721	690449	Stop—Shaft
500	691086	Washer (Key Switch)	613B	691114	Screw (Muffler)	741	691830	Gear—Timing
505	691251	Nut (Governor Control Lever)	615	690340	Retainer—Governor Shaft	742	93941	Retainer—E Ring
507	691972	Insulator	616	691308	Crank—Governor	743	691772	Gear—Drive (Counterclockwise)
510	494147	Drive—Starter	617★◆270344	Seal—O Ring (Intake Manifold)				Note 690516 Gear—Drive (Clockwise)
513	692358	Clutch—Drive	621	692310	Switch—Stop			Used on Type No(s). 0823.
520	691084	Terminal—Ground	627	692872	Bracket—Stop Switch	745	691648	Screw (Brake)
523	495264	Dipstick	633 ◆◆691321	Seal—Choke/Throttle Shaft (Throttie)		783	691918	Gear—Pinion (19 Teeth) (Starter Drive)
		Note 499621 Dipstick Used on Type No(s). 1720.	633A ◆◆693867	Seal—Choke/Throttle Shaft (Choke)		783A	691269	Gear—Pinion (12 Teeth)
524	★692296	Seal—Dipstick Tube	635	66538	Boot—Spark Plug	784	692341	Cover—Starter Gear
525	495265	Tube—Dipstick	651	93490	Screw (Starter Gear Cover)	785	692352	Gasket—Starter Cover
529	691923	Grommet	664	691087	Nut (Key Switch)	789	695551	Harness—Wiring Used on Type No(s). 3179.
544	690786	Armature—Starter	668	★493823	Spacer (Includes 2)	789A	695552	Harness—Wiring (Used After Code Date 00040600).
545	492919	Washer Set (Starter Motor)	670	692294	Spacer—Fuel Tank			Note 691372 Harness—Wiring (Used Before Code Date 00040700).
562	92613	Bolt (Governor Control Lever)	676	396548	Deflector—Muffler (Louvered)	789B	696547	Harness—Wiring Used on Type No(s). 0665, 0672, 1373, 1936, 1990, 1991, 2388, 2396, 2648, 3127, 3130, 3312, 3315.
564	690664	Screw (Control Cover)	676A	393756	Deflector—Muffler (Side Out)			
		Note 691132 Screw (Control Cover)	676B	397931	Deflector—Muffler (Direct Out)			
564A	691142	Screw (Control Cover)	676C	493871	Deflector—Muffler (Side Out) (Extended)			
584	692342	Cover—Breather Passage	677	690661	Screw (Muffler Deflector)			
585	★691879	Gasket—Breather Passage	684	690345	Screw (Breather Passage Cover)			
592	690800	Nut (Rewind Starter)						
597	691696	Screw (Pawl Friction Plate)						

★ Included in Engine Gasket Set—Ref. No. 358.
◆ Included in Carburetor Overhaul Kit—Ref. No. 121.

◆ Included in Carburetor Gasket Set—Ref. No. 977.
⊗ Included in Valve Gasket Set—Ref. No. 1095.

Illustrations cover a range of engines. Parts shown without corresponding text may not be used on your specific engine.
0990—15 Assemblies include all parts shown in frames. 6C—6/2002

12H800

REF. NO.	PART NO.	DESCRIPTION	REF. NO.	PART NO.	DESCRIPTION	REF. NO.	PART NO.	DESCRIPTION
801	690782	Cap-Drive	870	690380	Seat-Valve (Exhaust)	923	691994	Brake
802	695267	Cap-End (Used After Code Date 00040600).	871	262001	Bushing-Valve Guide (Exhaust)	923A	695891	Brake
		Note			Note	925	690595	Cover-Linkage
		695975 Cap-End (Used Before Code Date 00040700).			63709 Bushing-Valve Guide (Intake)	930	691919	Guard-Rewind (Round)
803	695266	Housing-Starter (Used After Code Date 00040600).	883	*Ø691881	Gasket-Exhaust	930A	691345	Guard-Rewind (Teardrop)
		Note	892	690646	Switch-Key	935	499421	Switch-Interlock (Used After Code Date 92100600).
		695975 Housing-Starter (Used Before Code Date 00040700).	910	691094	Stud (Alternator)			Note
832	499034	Guard-Muffler	921	497233	Cover-Blower Housing (Static Guard) (5.5)			398758 Switch-Interlock (Used Before Code Date 92100700).
832A	691424	Guard-Muffler			Note	937	691325	Spline-Starter
832B	497683	Guard-Muffler			692933 Cover-Blower Housing	940	690664	Screw (Casing Clamp Bracket)
836	690664	Screw (Muffler Guard)			Used on Type No(s). 1520, 1530, 1531, 1567, 2611, 2612, 2630, 2631, 2667, 2678.	957	397974	Cap-Fuel Tank (Plastic) (Black)
836A	690661	Screw (Muffler Guard)	921A	695886	Cover-Blower Housing (Black)			Note
836B	691147	Screw (Muffler Guard)	921B	692931	Cover-Blower Housing (Static Guard) (XTE) Used on Type No(s). 2320, 2331, 2626, 2391, 2396.			692662 Cap-Fuel Tank (Plastic) (Red) Used on Type No(s). 2384, 3312.
842	*691031	Seal-O Ring (Dipstick Tube)	921C	695889	Cover-Blower Housing (Static Guard) (Satin Black) Used on Type No(s). 2324, 2384, 2385, 2386, 2387, 2388, 2389, 2390, 2394, 2395.	957A	692046	Cap-Fuel Tank (Plastic)
843	691884	Sleeve-Lever (Speed Control)	921E	696262	Cover-Blower Housing	966A	496116	Base-Air Cleaner Primer
843A	691895	Sleeve-Lever (Choke)	921F	697343	Cover-Blower Housing	967A	493537	Filter-Pre Cleaner
847	692017	Dipstick/Tube Assembly Note	922	691831	Spring-Brake	968B	692298	Cover-Air Cleaner
		692047 Dipstick/Tube Assembly Used on Type No(s). 1720.	922A	692135	Spring-Brake	969	690700	Screw (Blower Housing Cover)
851	493880	Terminal-Spark Plug				969A	691138	Screw (Blower Housing Cover)
853	695268	Adapter-Wire						
869	691155	Seat-Valve (Intake)						

* Included in Engine Gasket Set-Ref. No.358.

• Included in Carburetor Overhaul Kit-Ref. No. 121.

◆ Included in Carburetor Gasket Set-Ref. No. 977.
Ø Included in Valve Gasket Set-Ref. No.1095.

Illustrations cover a range of engines. Parts shown without corresponding text may not be used on your specific engine.
0990-16 Assemblies include all parts shown in frames. 6C-6/2002

REF. NO.	PART NO.	DESCRIPTION	REF. NO.	PART NO.	DESCRIPTION	REF. NO.	PART NO.	DESCRIPTION
970	691669	Screw (Air Cleaner Primer Bracket)	1019	494256	Kit-Label	1059	692311	Kit-Screw/Washer
972B	495224	Tank-Fuel (Plastic)	1036	695111	Emission Label (Used After Code Date 99093000).			Note 696293 Kit-Screw/Washer Used on Type No(s). 1717, 1718, 1719, 1754, 2326.
		Note 499618 Tank-Fuel (Plastic) Used on Type No(s). 1720, 2384. 695960 Tank-Fuel (Plastic) Used on Type No(s). 1717, 1718, 1719, 1754, 2326, 3181.			Note 694458 Emission Label (Used After Code Date 98123100 and Before Code Date 99100100). 499341 Emission Label (Used After Code Date 97052500 and Before Code Date 99010100). 499340 Emission Label (Used Before Code Date 97052600). 697378 Emission Label (Used on Engines with Trim D1)	1095	498528	Gasket Set-Valve
975	493640	Bowl-Float				1102	691256	Pilot-Guide Used on Type No(s). 1167, 1715, 2367, 2673.
976	694395	Primer-Carburetor (Used After Code Date 99051200).						Note 691255 Pilot-Guide Used on Type No(s). 1955, 2681, 3183.
		Note 496115 Primer-Carburetor (Used Before Code Date 99051300).	1058	275177	Owner's Manual	1119	691648	Screw (Alternator)
977	498261	Gasket Set-Carburetor			Note 274940 Owner's Manual Used on Type No(s). 1717, 1718, 1719, 1754, 2326.	1160	691627	Screw (Interlock Switch)
986	693514	Filter-Debris Foam				1210	498144	Pulley/Spring Assembly (Pulley)
990	691959	Key Set				1211	498144	Pulley/Spring Assembly (Spring)
990A	695951	Key Set (Touch N Mow)				1236	695959	Starter-Mechanical (Touch N Mow) (Do Not Service Individual Parts, Only As A Whole)
994	398067	Arrestor-Spark						
1009	696255	Screw (Starter Motor)						

- ★ Included in Engine Gasket Set-Ref. No.358.
● Included in Carburetor Overhaul Kit-Ref. No. 121.

- ◆ Included in Carburetor Gasket Set-Ref. No. 977.
∅ Included in Valve Gasket Set-Ref. No 1095.

Illustrations cover a range of engines. Parts shown without corresponding text may not be used on your specific engine.
Assemblies include all parts shown in frames. 6C-6/2002

0990-17

www.emc-motoculture.com



LABEL NATURE!

Yvan Béal - 21, av. de l'Agriculture - B.P 16

Z.I. du Brézet - 63014 Clermont-Ferrand Cedex 2

Tél : 04 73 91 93 51 - Télécopie : 04 73 90 23 11

www.yvanbeal.fr - E-mail : info@yvanbeal.fr

R.C.S. B 304 973 886 - S.A.S. au capital de 612 000 €