



PIECES DETACHEES

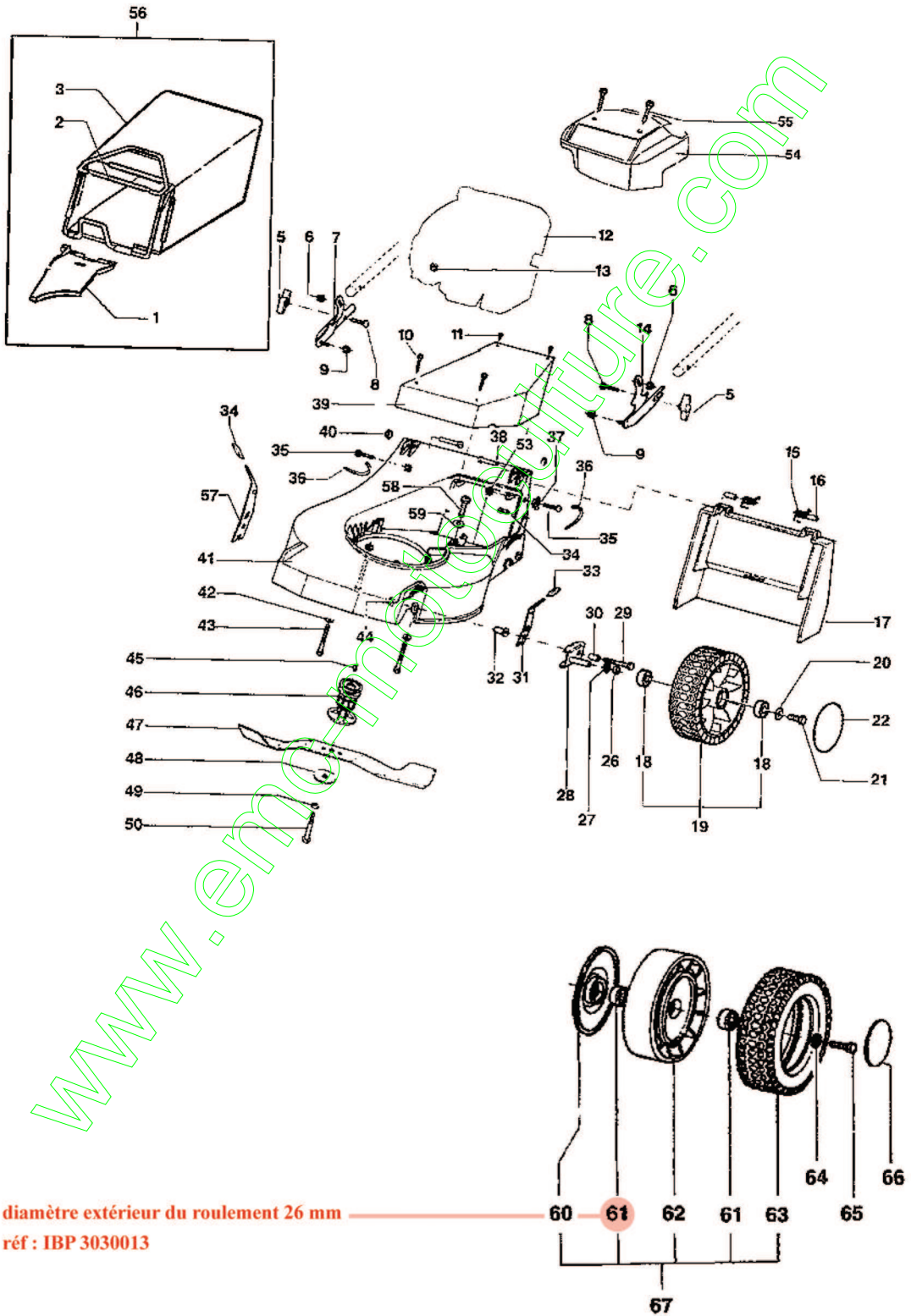
Tondeuse à conducteur Marchant

EXPERT 50



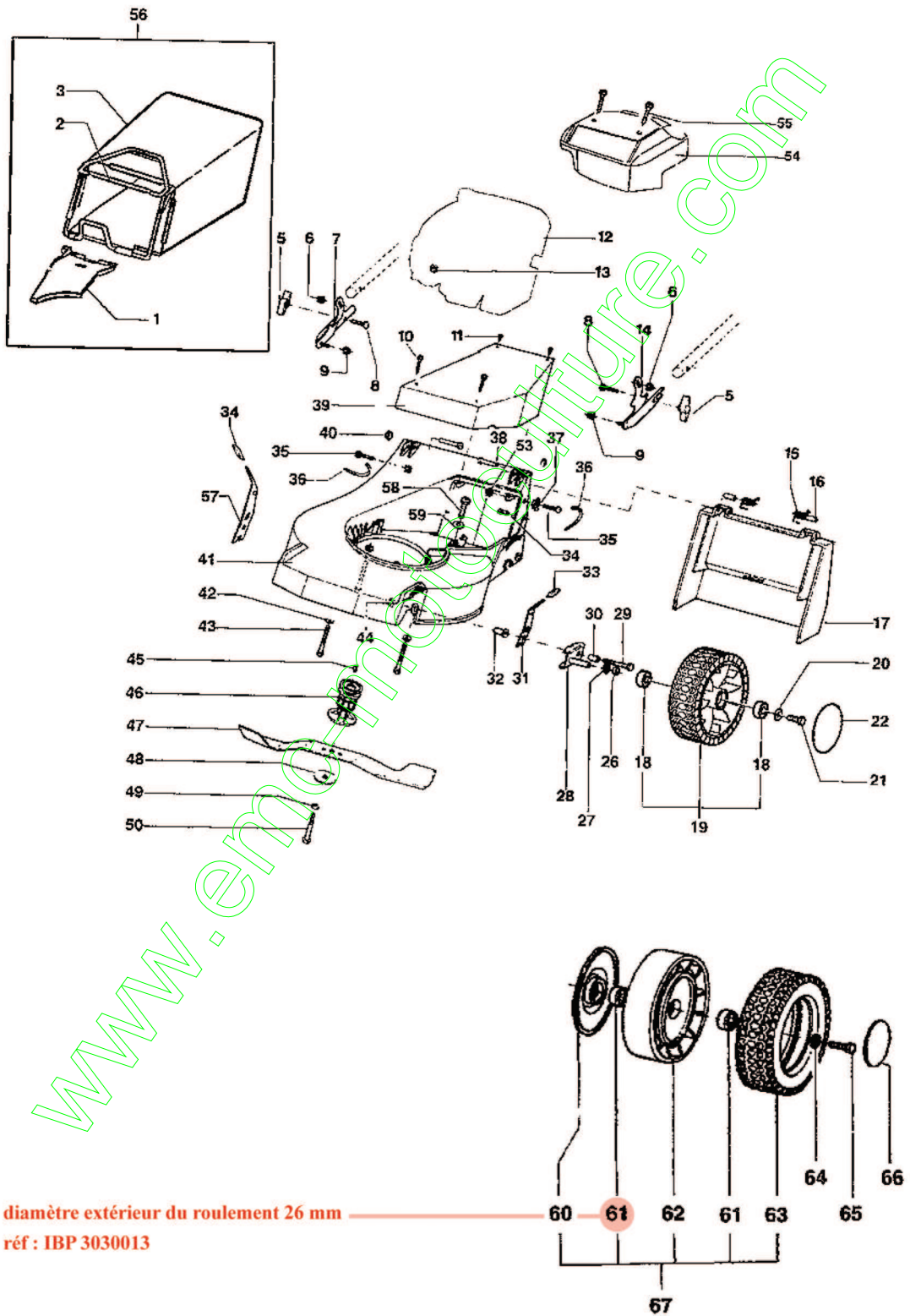
Yves Béal 21, Av. de l'Agriculture - B.P. 10
Z.I. du Breuil 63314 Clermont-Ferrand Cedex 2
Tél : 04 73 91 93 51 Téléphone : 04 73 90 23 11
www.yvesbeal.fr Email : info@yvesbeal.fr
R.C. B 304 973 886 - SIREN 304 973 886

03-000126-050126



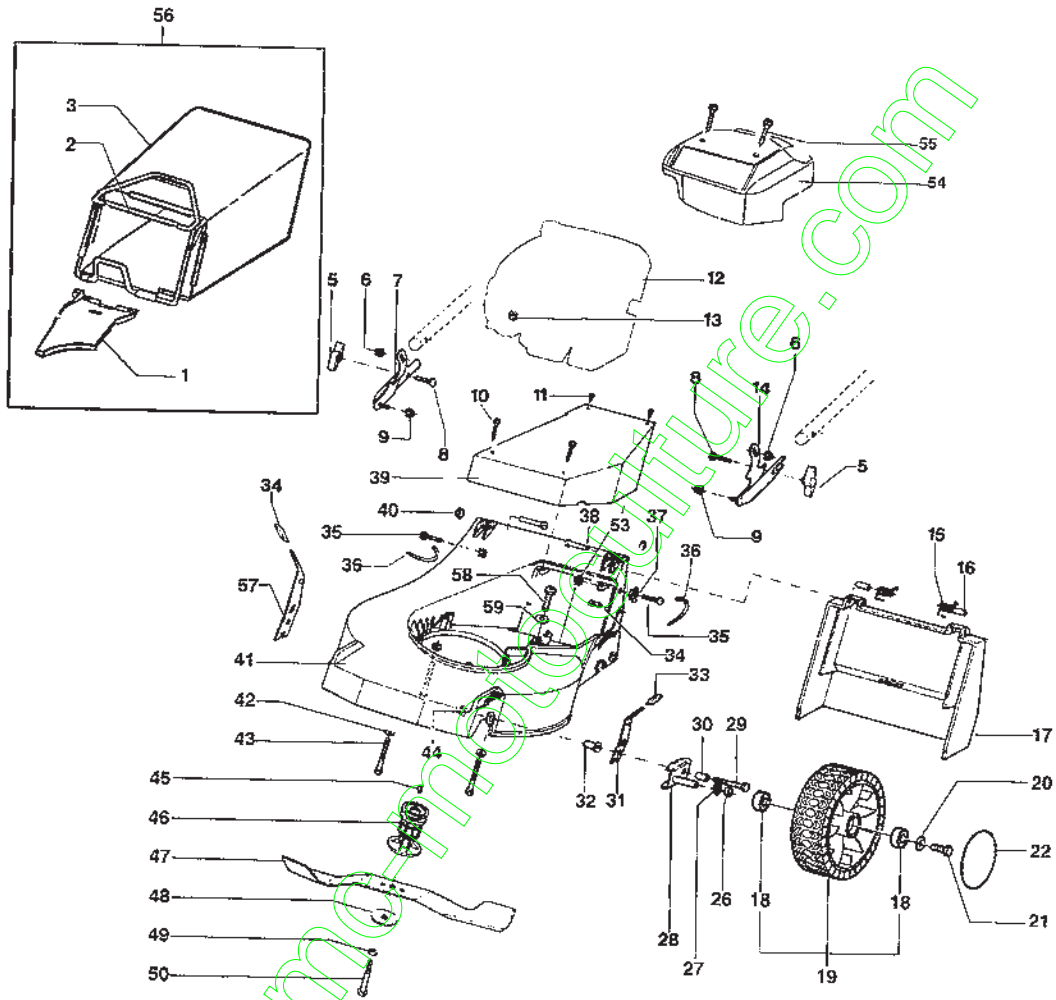
VUE D'ENSEMBLE

Réf. N°	Code article	Quantité	Description
1	P2020187	1	DÉFLECTEUR
2	P3060115ZT	1	MONTURE
3	P3160073	1	SAC
5	2020050A1	2	POIGNÉE
6	P1050011	2	ÉCROU
7	P3120157VE	1	GUIDON INFÉRIEUR
8	1010026A1	2	VIS
9	P1050011	2	ÉCROU
10	P1010260	2	VIS
11	P1010071	2	VIS
13	P1050011	2	ÉCROU
13	P1050013	1	ÉCROU
13	P1050011	3	ÉCROU
14	P3120158VE	1	GUIDON INFÉRIEUR
15	P3020027	2	RESSORT
16	P3140238	2	DOUILLE
17	P2020189B	1	PROTECTION
18	P3030055	4	PALIER
19	P2080008	2	ROUE COMPL.
20	1020007A1	2	RONDELLE
21	1010018A1	2	VIS
22	P2020440	2	COUVERCLE
26	P2020088	2	DOUILLE
27	P1020050	2	RONDELLE ÉLASTIQUE
28	P4020028	2	SUPPORT ROUE AVANT
29	P1010116	2	VIS
30	P3040118	2	DOUILLE
31	P4020039	1	LEVIER ROUE GAUCHE
32	P3040119	2	DOUILLE
33	P2020077	2	POIGNÉE
34	P1010079	2	VIS
35	P1010122	2	VIS
36	5040001A1	2	COLLIER
37	P2020087	2	BAGUE
38	P1080018	2	GOUPILLE
39	P2020188B	1	PROTECTION
40	P1060004	2	STARLOCK
41	P4090002VEB	1	CHÂSSIS
42	1020014A1	3	RONDELLE
43	P1010097	2	VIS
43	P1010098	1	VIS
44	P1050012	2	ÉCROU
45	1090001A1	1	CLAVETTE
46	P3040309	1	DOUILLE DE COUTEAU
47	P4050028	1	LAME
48	1110002A1	1	RESSORT À GODET
49	P1020067	1	RONDELLE
50	P1010050	1	VIS



60	P2020128	2	PROTECTION	01629-
61	P3030013	4	PALIER	01629-
62	P2020082	2	JANTE	01629-
63	P2020083	2	PNEU	01629-
64	1020007A1	2	RONDELLE	01629-
65	1010018A1	2	VIS	01629-
66	P2020062	2	COUVERCLE	01629-
67	P00015176	2	ROUE COMPL.	01629-

www.emc-motoculture.com



www.emo.com

IB-5326 SRB (Serie dal N.991215)

Tondeuses

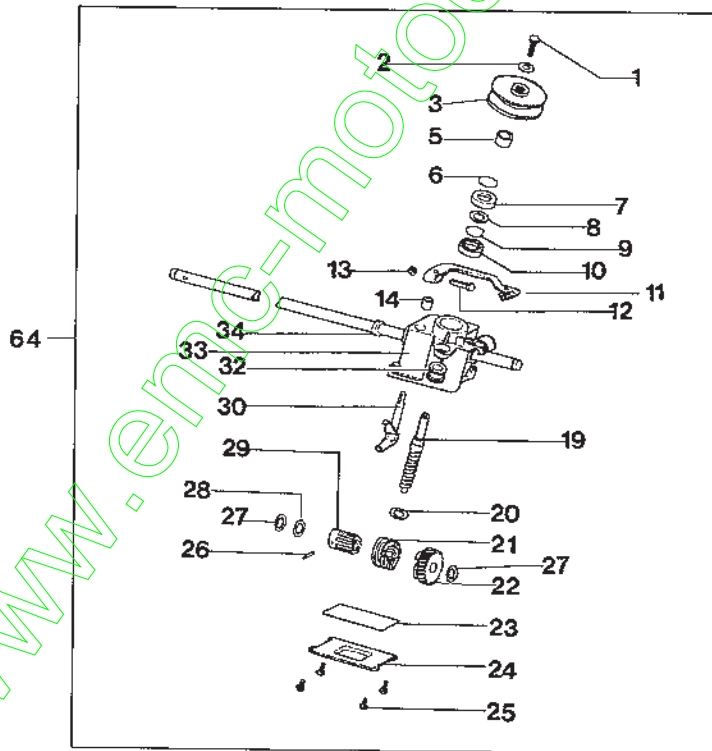
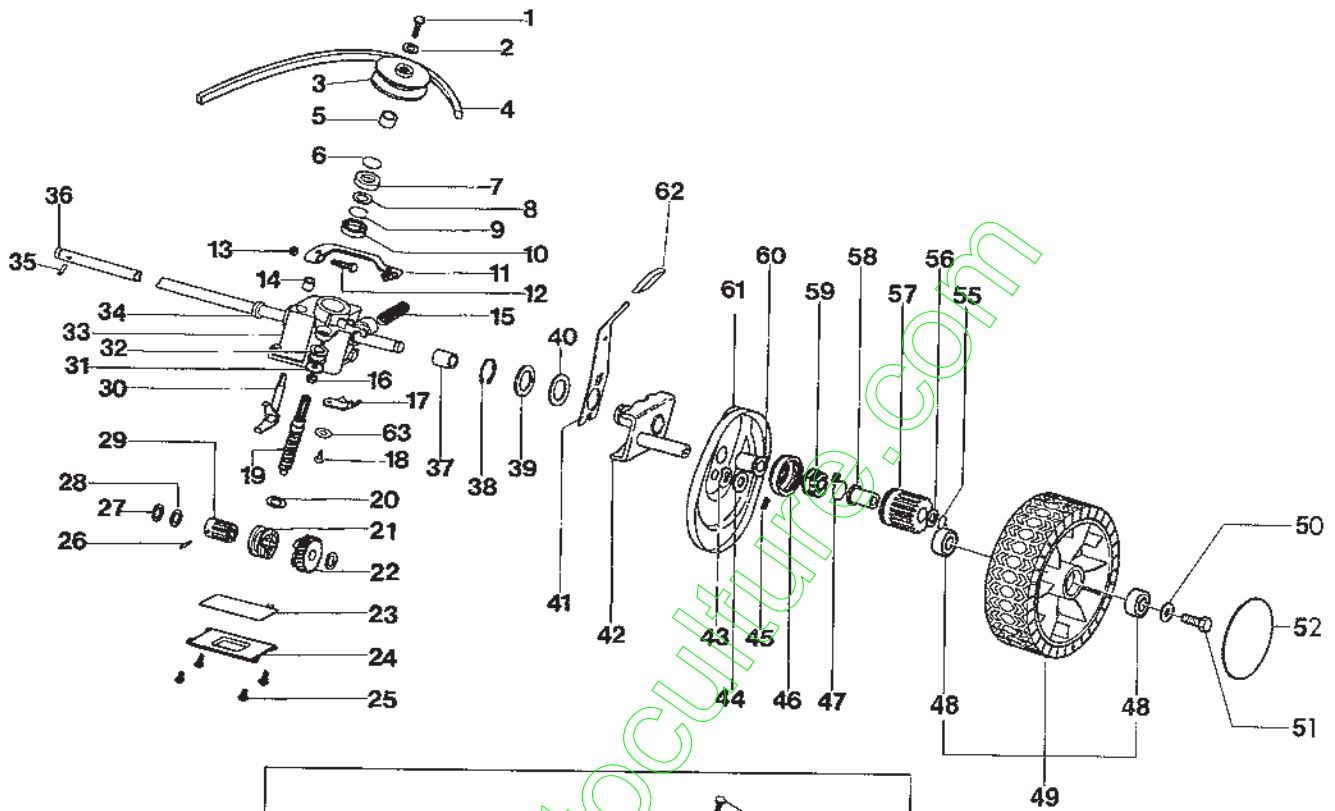
VUE D'ENSAMBLE

Réf. N°	Code article	Quantité	Description
51	P3060114	1	RENFORCEMENT
52	P1010121	4	VIS
53	1050002A1	2	ÉCROU
54	P2020165	1	COUVERCLE MOTEUR
55	P1010154	2	VIS
56	P3070014	1	SAC DE RAMASS. COMPL.
57	P4020038	1	LEVIER ROUE DROITE
58	P1010081	1	VIS
59	1020007A1	1	RONDELLE

www.emc-motoculture.com

IB-5326 SRB (Serie dal N.991215)
ESSIEUX ARRIERE ET TRANSMISSION

Tondeuses



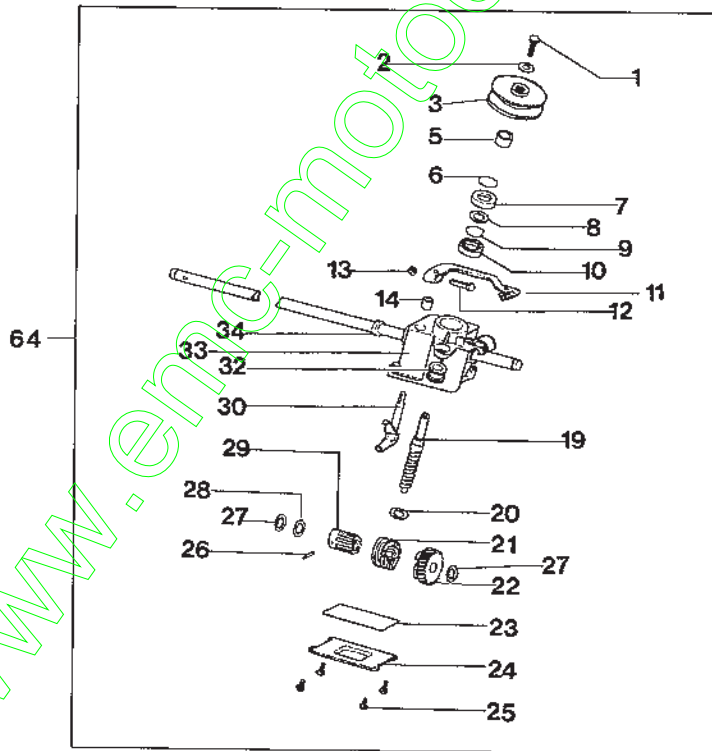
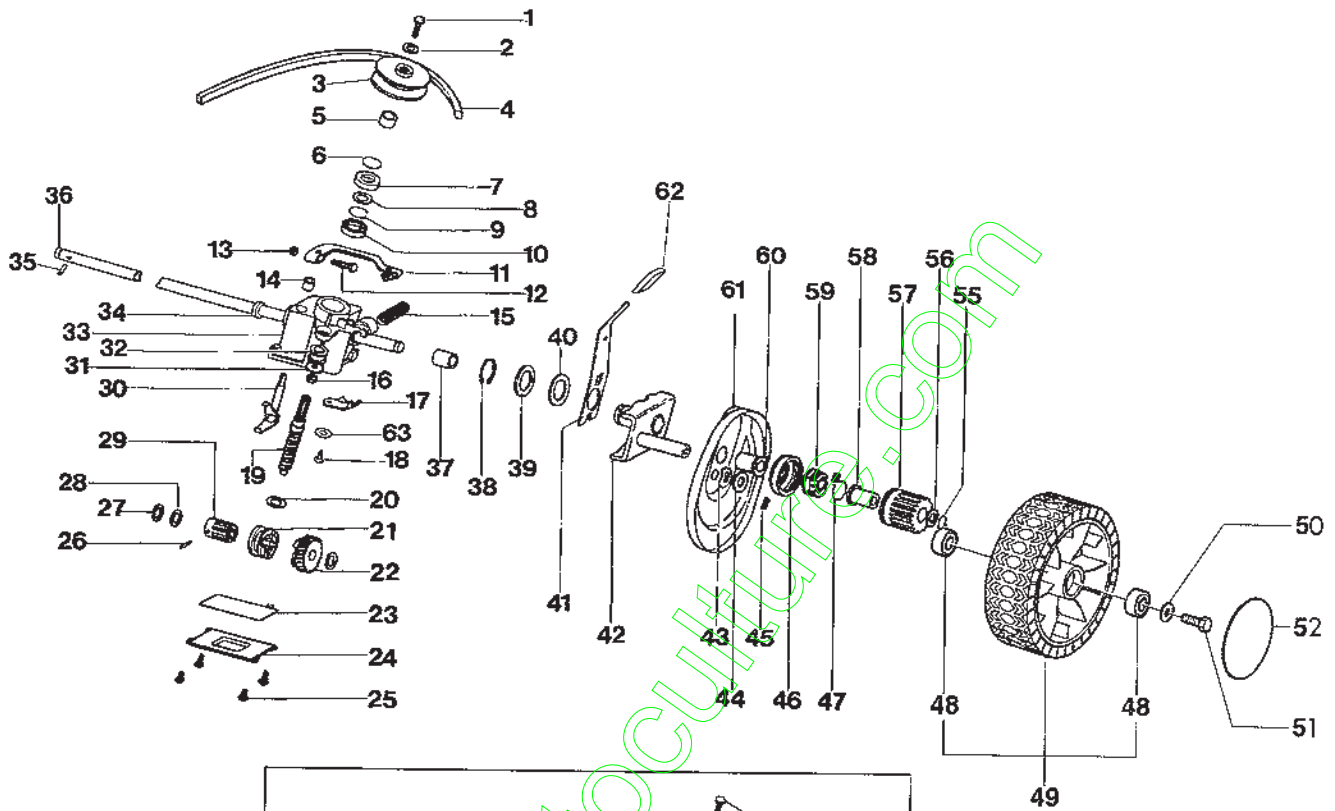
IB-5326 SRB (Serie dal N.991215)
 ESSIEUX ARRIERE ET TRANSMISSION

Tondeuses

Réf. N°	Code article	Quantité	Description
1	1010018A1	1	VIS
2	1020007A1	1	RONDELLE
3	P3040048	1	POULIE
4	P3010019	1	COURROIE DE TRANSMISSION
5	P3040049	1	DOUILLE
6	P3170013	1	JOINT TORIQUE
7	P3170010	1	JOINT D'ARBRE
8	P1020051	1	RONDELLE
9	P1070004	1	SEEGER
10	P3030010	1	PALIER
11	P4070011	1	LEVIER
12	P1010075	1	VIS
13	1050003A1	1	ÉCROU
14	P3170012	1	JOINT D'ARBRE
15	P3020010	1	RESSORT
16	1010018A1	1	VIS
17	P4030010	1	COUVERCLE
18	P1010076	1	VIS
19	P3040042	1	VIS SANS FIN
20	P1020053	1	DOUILLE
21	P00038099	1	MANCHON
22	P00038199	1	ROUE POUR VIS S. FIN
23	P3170014	1	JOINT TORIQUE
24	P4110001	1	COUVERCLE
25	P1010076	4	VIS
26	P1080007	1	GOUPILLE
27	1020020A1	2	DOUILLE
28	P1020051	1	RONDELLE
29	P3050030	1	DOUILLE CANNELÉE
30	P3040041	1	FOURCHE
31	P1020054	1	RONDELLE
32	P2040010	1	TUBE DE PROTECTION
33	P00039199	1	BOÎTE DE VITESSE
34	P3170011	2	JOINT
35	P1080004	2	GOUPILLE
36	P3040075	1	ARBRE DE TRASMISSION
37	3030003A1	2	PALIER
38	P1070008	2	SEEGER
39	P1020057	2	DOUILLE
40	P1020058	2	DOUILLE
41	P4020019	1	LEVIER ROUE POST. DROITE
41	P4020020	1	LEVIER ROUE POST. DROITE
42	P4020029	2	SUPPORT
43	P1020050	2	RONDELLE ÉLASTIQUE
44	P2020088	2	DOUILLE
45	P2110001	4	CLAVETTE
46	P2020060	2	CAGE
47	P3020012	2	RESSORT

IB-5326 SRB (Serie dal N.991215)
ESSIEUX ARRIERE ET TRANSMISSION

Tondeuses



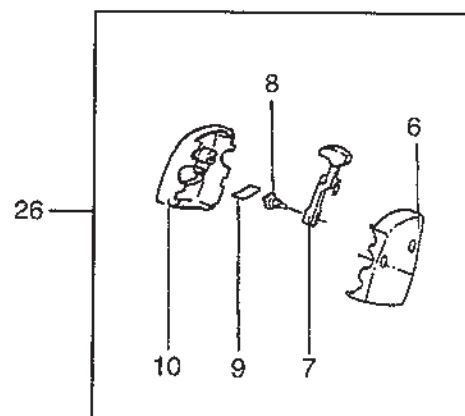
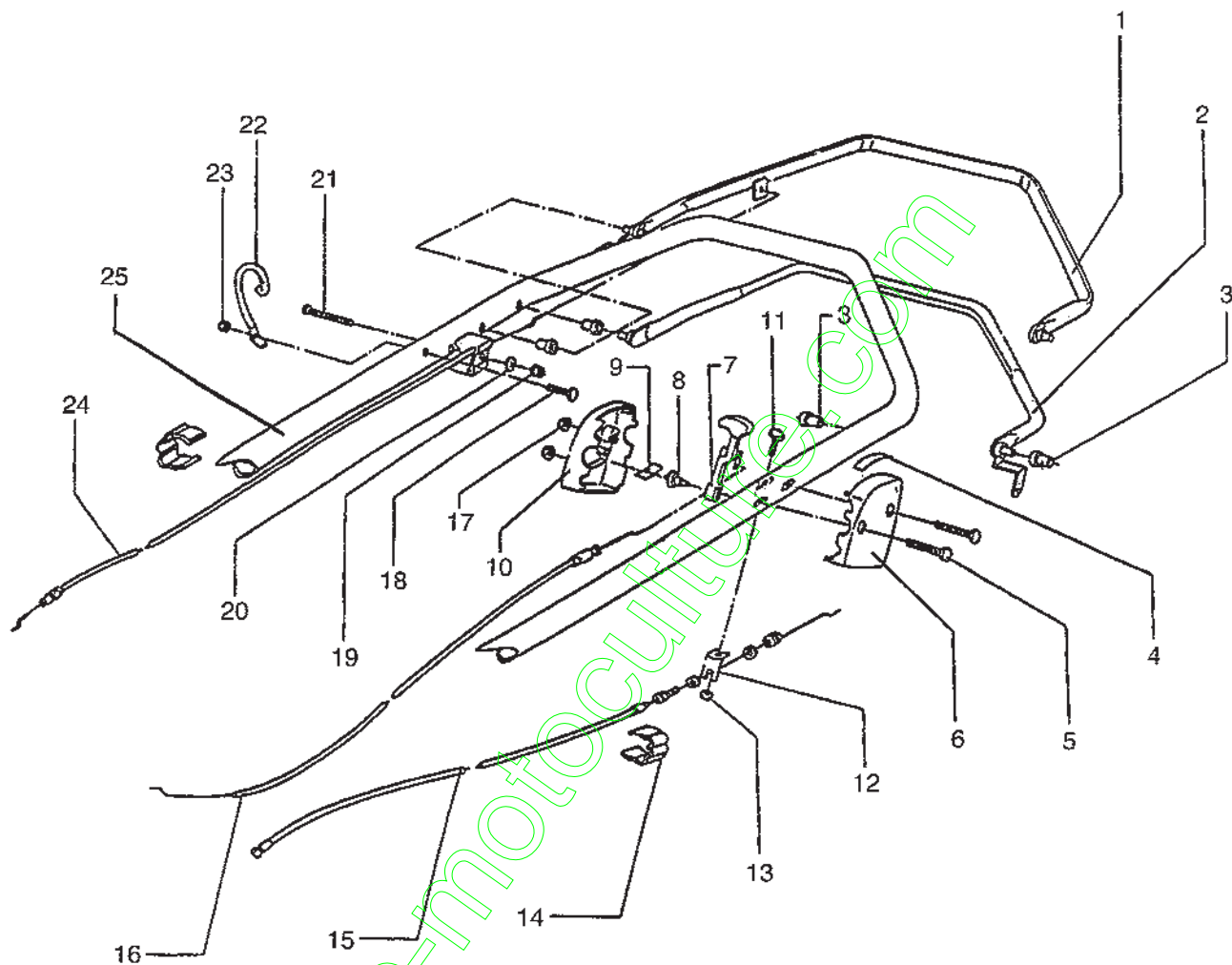
IB-5326 SRB (Serie dal N.991215)
ESSIEUX ARRIERE ET TRANSMISSION

Tondeuses

Réf. N°	Code article	Quantité	Description
48	P3030055	4	PALIER
49	P2080009	2	ROUE COMPL.
50	1020007A1	2	RONDELLE
51	1010018A1	2	VIS
52	P2020443	2	COUVERCLE
55	1070001A1	2	SEÉGER
56	1020020A1	2	DOUILLE
57	P3050031	2	PIGNON
58	P2020059	2	DOUILLE
59	P2100001	2	CLIQUELLE DE CAMME
60	P2020070	2	DOUILLE
61	P4030011	2	PROTECTION
62	P2020077	2	POIGNÉE
63	P1020055	1	RONDELLE
64	P00078668	1	RÉDUCTEUR COMPL.

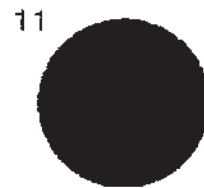
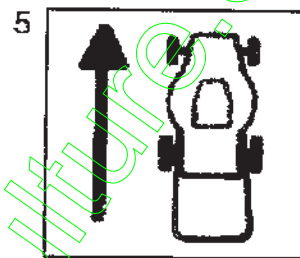
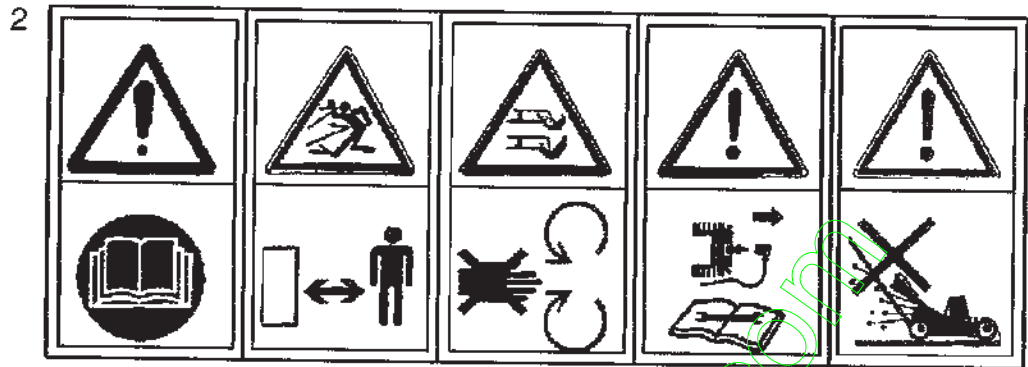
www.emc-motoculture.com

GUIDON SUPERIEUR ET ELEMENTS DE COMMANDE



GUIDON SUPERIEUR ET ELEMENTS DE COMMANDE

Réf. N°	Code article	Quantité	Description
1	P4080038VE	1	LEVIER SYSTEM 2
2	P02042181	1	POIGNÉE DE TRACTION
3	P2020153	4	DOUILLE
4	P5140552	1	MARQUAGE
5	P1010102	2	VIS
6	P2020107	1	BOÎTE GAUCHE
7	P00065099	1	LEVIER DE GAZ
8	P2020108	1	BOULON
9	P4010059	2	RESSORT
10	P2020106	1	BOÎTE DROITE
11	P1010078	1	VIS
12	P4010060	1	PLAQUE
13	1050003A1	1	ÉCROU
14	P2020080	2	ARRÊT DU CÂBLE
15	P5010029	1	CÂBLE DE TRACTION
16	P5020033	1	CÂBLE DE GAZ (5326SRB)
17	1050003A1	2	ÉCROU
18	P1010065	1	VIS
19	1050003A1	1	ÉCROU
20	1020013A1	1	RONDELLE
21	P1010203	1	VIS
22	P01068343	1	SUPPORT
23	1050002A1	1	ÉCROU
24	P5010095	1	CÂBLE SYSTEM 2)
25	P3120156VE	1	GUIDON SUP.
26	P00035099	1	BOÎTE DE GAZ COMP.



AUTOCOLLANT

Réf. N°	Code article	Quantité	Description
1	P5140741	1	MARQUAGE
2	P5140334	1	MARQUAGE
3	P5140631	1	AUTOCOLLANT
4	P5140337	1	MARQUAGE
5	P5140646	1	AUTOCOLLANT TRACTION
6	P5140531	1	AUTOCOLLANT
7	P5140552	1	MARQUAGE
8	P5140737	1	AUTOCOLLANT
9	P5140645	1	MARQUAGE
11	P5140138	4	MARQUAGE
13	P2020138	1	AUTOCOLLANT IBEA
*	P5110008	1	CLEF
*	5040001A1	5	COLLIER

www.emc-motoculture.com

MOTEUR BRIGGS & STRATTON
POUR EXPERT 50

FORM MS-0517-8C-7/2002
REPLACES FORM MS-0517-5C-3/2002
FILE IN SECT. 2 OF SERVICE MANUAL

12F800

Illustrated Parts List

Model Series

12F800

TYPE NUMBERS
0600 through 3511.

For Use On Engines Built Before Date Code - 02073100

TABLE OF CONTENTS

Alternator	8
Air Cleaner	4
Blower Housing/Shrouds	6
Brake	8
Cams	2
Carburetor	3
Controls	5
Crankcase Cover/Sump	2
Crankshaft	2
Cylinder Group	2
Electric Starter	8
Electrical	8
Flywheel	7
Fuel Tank	5
Governor Spring	5
Ignition	8
Kits/Gaskets	2 & 3
Muffler	4
Oil	2
Piston Group	2
Rewinds	7
Valves	2

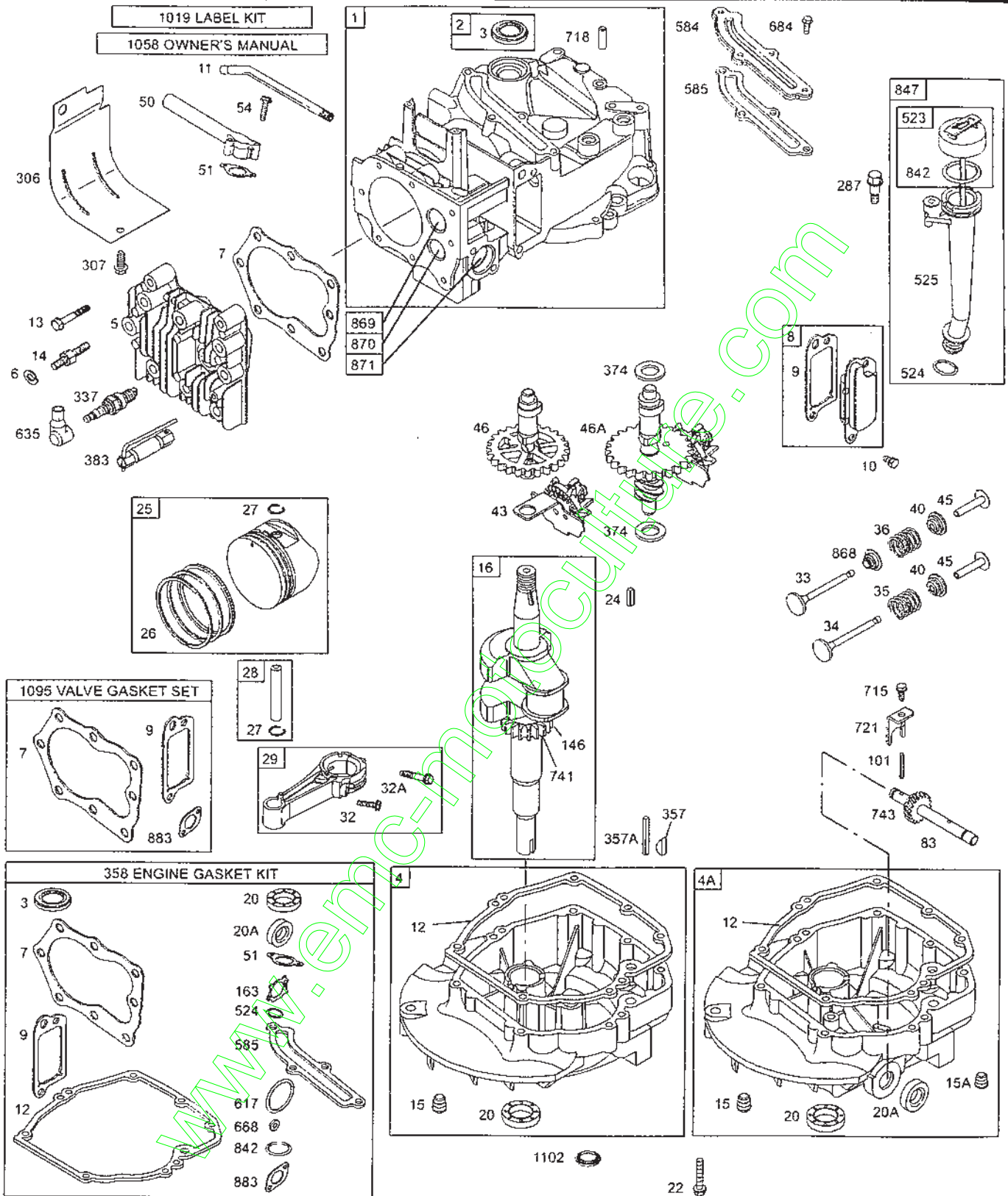


BRIGGS & STRATTON®

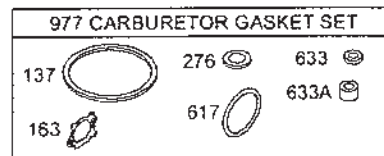
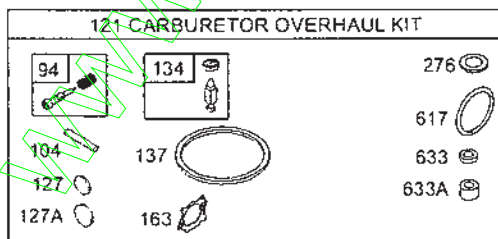
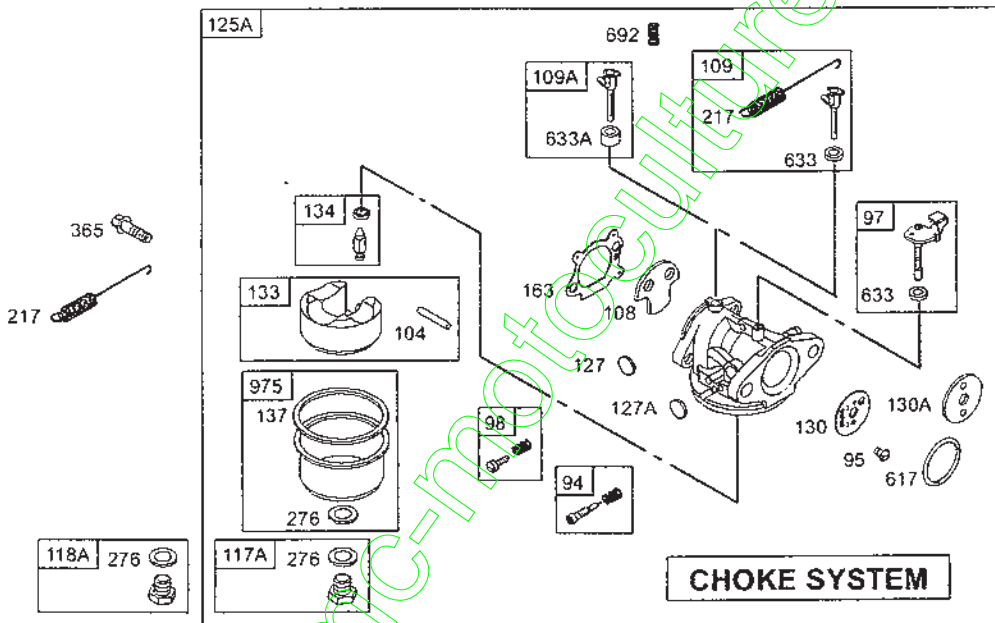
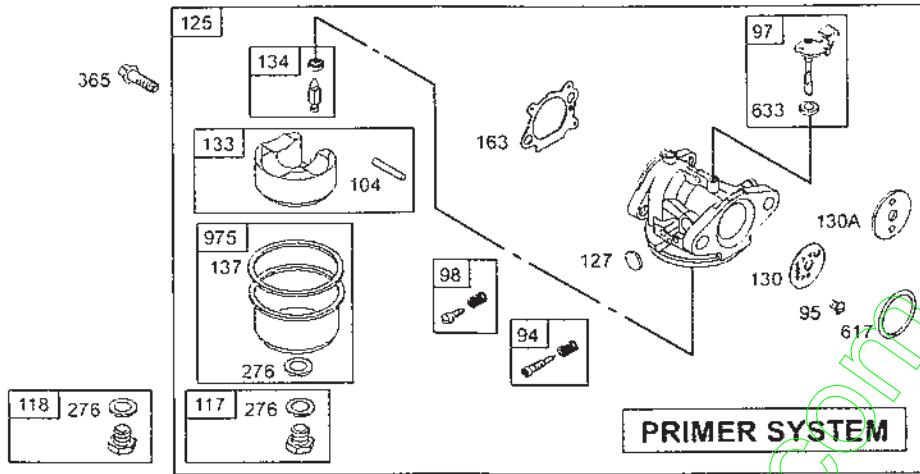
PRINTED IN U.S.A.

COPYRIGHT by BRIGGS & STRATTON CORPORATION
All rights reserved. No part of this material may be reproduced or transmitted,
in any form or by any means, electronic or mechanical, including photocopying,
recording or by any information storage and retrieval system, without permission
in writing from Briggs & Stratton Corporation.

12F800

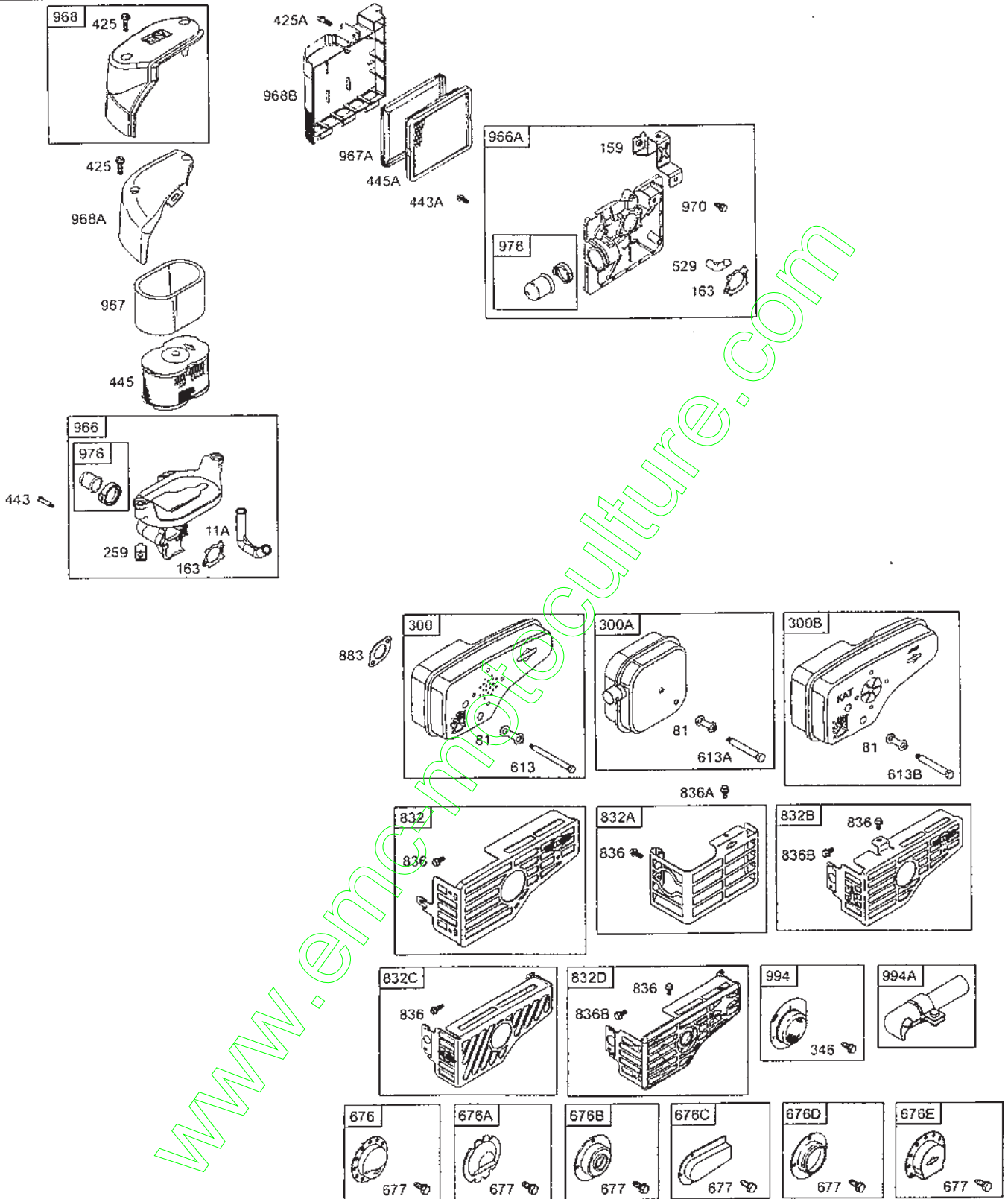


Illustrations cover a range of engines. Parts shown without corresponding text may not be used on your specific engine.
 0517-2 Assemblies include all parts shown in frames. 6C-7/2002

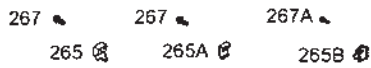
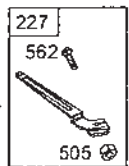
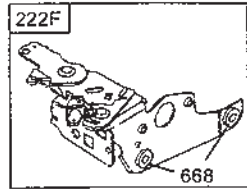
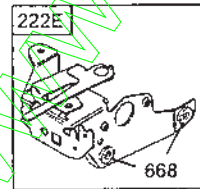
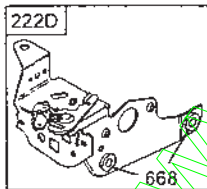
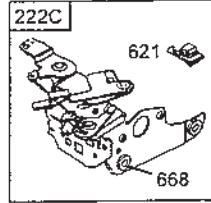
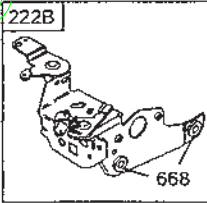
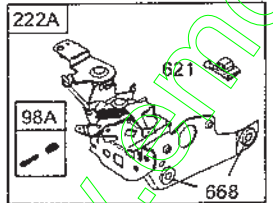
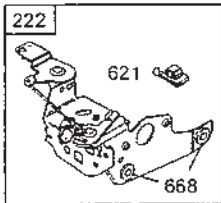
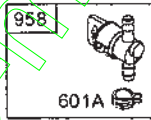
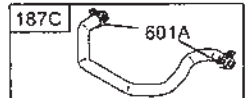
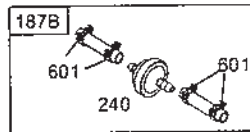
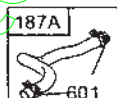
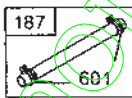
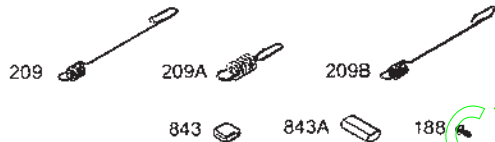
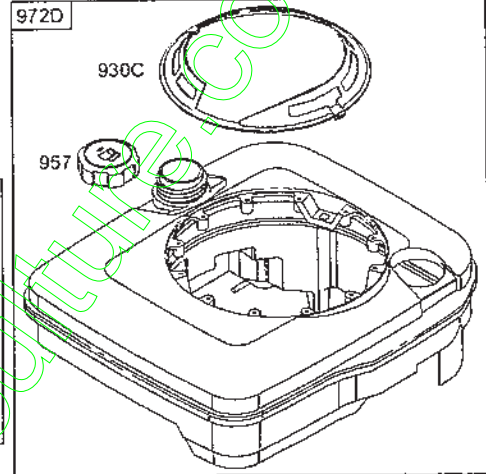
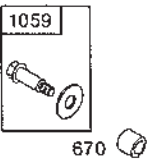
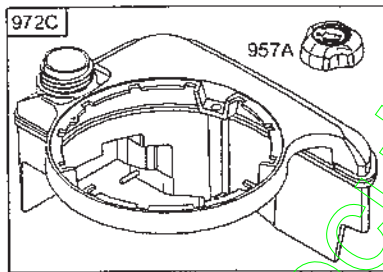
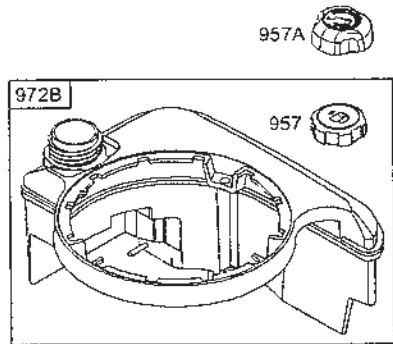
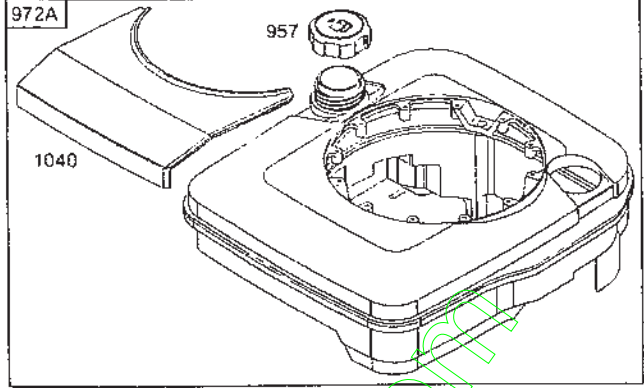
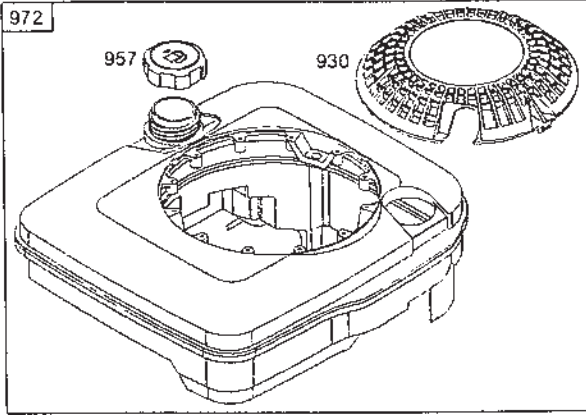


Illustrations cover a range of engines. Parts shown without corresponding text may not be used on your specific engine.
 0517-3 Assemblies include all parts shown in frames. 6C-7/2002

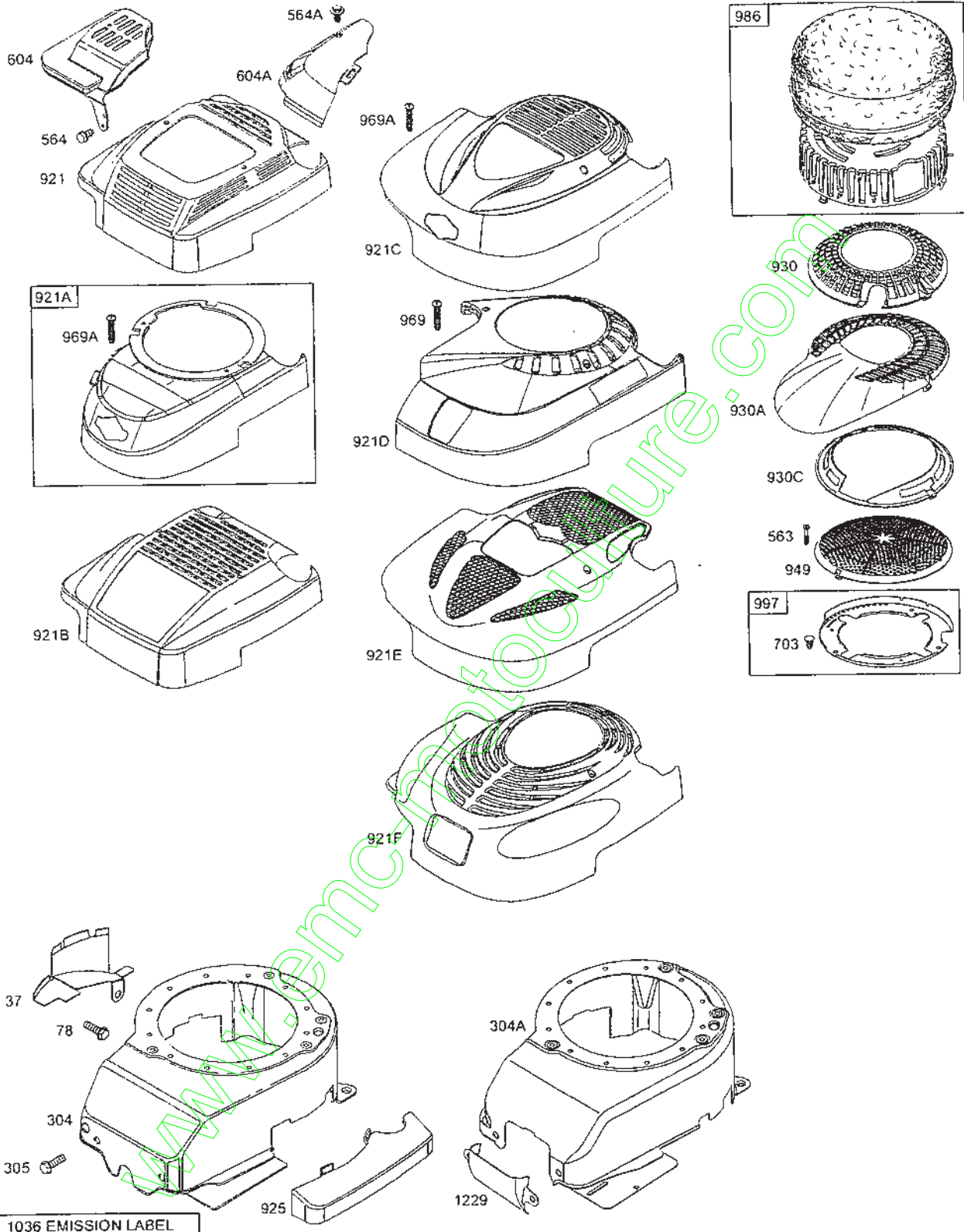
12F800



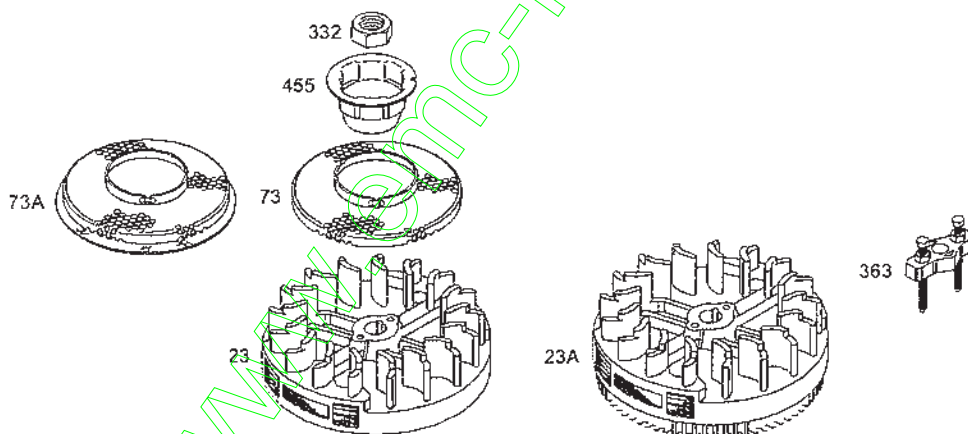
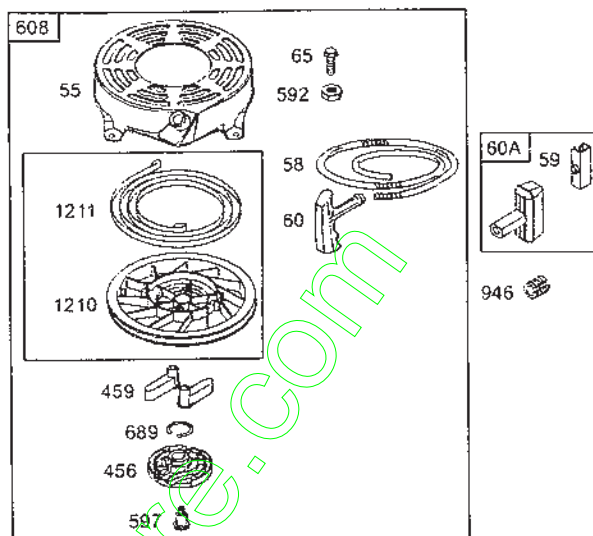
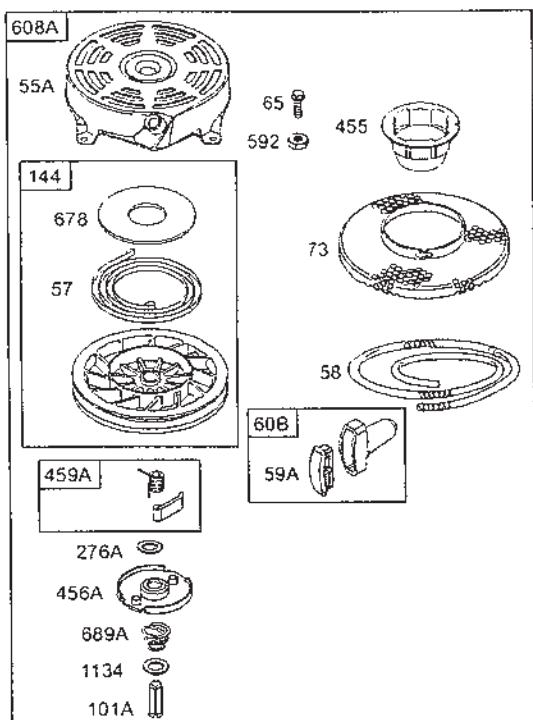
Illustrations cover a range of engines. Parts shown without corresponding text may not be used on your specific engine.
 0517-4 Assemblies include all parts shown in frames. 6C-7/2002



Illustrations cover a range of engines. Parts shown without corresponding text may not be used on your specific engine.
 0517-5 Assemblies include all parts shown in frames. 6C-7/2002

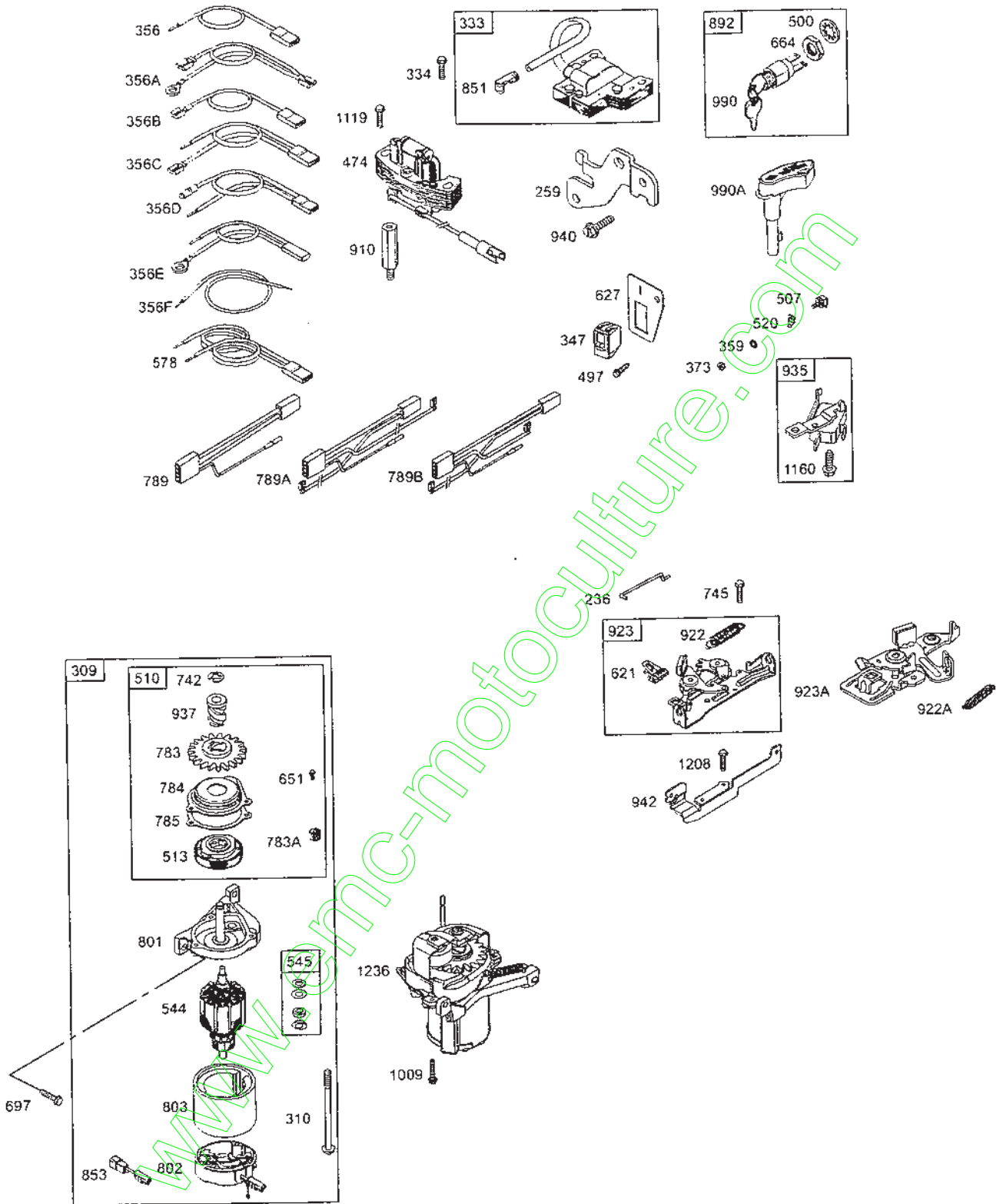


Illustrations cover a range of engines. Parts shown without corresponding text may not be used on your specific engine.
 0517-6 Assemblies include all parts shown in frames. 6C-712002



Illustrations cover a range of engines. Parts shown without corresponding text may not be used on your specific engine.
 0517-7 Assemblies include all parts shown in frames. 6C-7/2002

12F800



Illustrations cover a range of engines. Parts shown without corresponding text may not be used on your specific engine.
 0517-8 Assemblies include all parts shown in frames. 6C-7/2002

REF. NO.	PART NO.	DESCRIPTION	REF. NO.	PART NO.	DESCRIPTION	REF. NO.	PART NO.	DESCRIPTION
1	493260	Cylinder Assembly	5	691160	Head-Cylinder	12	*692232	Gasket-Crankcase
2	399269	Kit-Bushing/Seal (Magneto Side)	7	∅692249	Gasket-Cylinder Head	13	690912	Screw (Cylinder Head)
3	*299819	Seal-Oil (Magneto Side)	8	495786	Breather Assembly	15	691680	Plug-Oil Drain (Square Socket)
4	493279	Sump-Engine ----- Note ----- 498983 Sump-Engine Used on Type No(s). 2026, 3116. 696294 Sump-Engine Used on Type No(s). 1925, 2027, 2327, 2329, 2611, 2612, 2613, 3186.	9	*∅272481	Gasket-Breather	15A	691093	Plug-Oil Drain (Hex Socket)
4A	493365	Sump-Engine (Auxiliary PTO)	10	94650	Screw (Breather Assembly)			
			11	691781	Tube-Breather			

* Included in Engine Gasket Set-Ref. No. 358.
 ● Included in Carburetor Overhaul Kit-Ref. No. 121.

● Included in Carburetor Gasket Set-Ref. No. 977.
 ∅ Included in Valve Gasket Set-Ref. No. 1095.

Illustrations cover a range of engines. Parts shown without corresponding text may not be used on your specific engine.
 0517-9 Assemblies include all parts shown in frames. 6C-7/2002

12F800

REF. NO.	PART NO.	DESCRIPTION	REF. NO.	PART NO.	DESCRIPTION	REF. NO.	PART NO.	DESCRIPTION
16	691451	Crankshaft (Used After Code Date 97011200). Note ——— 493362 Crankshaft (Used Before Code Date 97011300). 691450 Crankshaft (Used After Code Date 97011200). Used on Type No(s). 0600, 0808, 0820, 0833, 0835, 0838, 0840, 0841, 0842, 0852, 0863, 0876, 0884, 0890, 0906, 1108, 1110, 1147, 1149, 1154, 1159, 1160, 1162, 1163, 1173, 1174, 1188, 1191, 1312, 1508, 1523, 1524, 1557, 1558, 1560, 1569, 1573, 1700, 1908, 1976, 1985, 2006, 2011, 2021, 2308, 2310, 2373, 2374, 2608, 2611, 2612, 2613, 2623, 2624, 2625, 2925, 3112, 3180, 3185, 3186, 3187. 493282 Crankshaft (Used Before Code Date 97011300). Used on Type No(s). 0600, 0808, 0820, 0833, 0835, 0838, 0840, 0841, 0842, 0852, 0863, 0876, 0884, 0890, 0906, 1108, 1110, 1147, 1149, 1154, 1159, 1160, 1162, 1163, 1173, 1174, 1188, 1191, 1508, 1523, 1524, 1557, 1558, 1560, 1569, 1573, 1976. 691452 Crankshaft (Used After Code Date 99042500 and Before Code Date 99062500). Used on Type No(s). 1320.		691452	Crankshaft (Used After Code Date 97011200). Used on Type No(s). 0639, 0640, 0653, 0654, 0817, 0823, 0830, 0844, 0845, 0853, 0859, 0862, 0866, 0868, 0870, 0874, 0879, 0882, 0883, 0887, 0894, 0905, 0907, 0908, 0911, 0914, 0915, 0916, 0918, 1145, 1151, 1152, 1157, 1158, 1166, 1167, 1170, 1171, 1175, 1178, 1181, 1182, 1183, 1186, 1190, 1193, 1194, 1198, 1199, 1208, 1209, 1210, 1212, 1310, 1311, 1318, 1360, 1366, 1376, 1377, 1378, 1520, 1521, 1566, 1571, 1574, 1733, 1917, 1936, 1937, 1938, 1941, 1943, 1944, 1966, 1982, 2026, 2027, 2327, 2329, 2355, 2356, 2357, 2366, 2371, 2378, 2399, 2402, 2671, 2674, 3111, 3119, 3120, 3127, 3166, 3168, 3177, 3178. 694059 Crankshaft (Used Before Code Date 97011300). Used on Type No(s). 0639, 0640, 0817, 0823, 0830, 0844, 0845, 0853, 0859, 0862, 0866, 0868, 0870, 0874, 0879, 0882, 0883, 0887, 0894, 0907, 0908, 1145, 1151, 1152, 1157, 1158, 1166, 1167, 1170, 1171, 1175, 1178, 1181, 1182, 1183, 1186, 1190, 1194, 1310, 1311, 1366, 1376, 1377, 1520, 1521, 1566, 1571, 1574.		691454	Crankshaft Used on Type No(s). 0857, 0858, 0860, 0878, 0880, 1164, 1177, 1948, 1978, 1980, 3510, 3511. 691455 Crankshaft (Used After Code Date 97011200). Used on Type No(s). 0815, 0877, 0888, 1189, 1192, 1581, 1914, 1977, 2001, 2017, 2407, 2411, 2409, 2681, 2682, 2918. 691375 Crankshaft (Used Before Code Date 97011300). Used on Type No(s). 0815, 0877, 0888, 1189, 1581. 692980 Crankshaft (Used After Code Date 97011200). Used on Type No(s). 0650, 0667, 1750, 1767. 692005 Crankshaft (Used Before Code Date 97011300). Used on Type No(s). 0650, 0667, 1750. 692981 Crankshaft (Used After Code Date 97011200). Used on Type No(s). 1142. 692028 Crankshaft (Used Before Code Date 97011300). Used on Type No(s). 1142. 691482 Crankshaft Used on Type No(s). 3116. 694079 Crankshaft Used on Type No(s). 1769. 696009 Crankshaft Used on Type No(s). 1770.

- * Included in Engine Gasket Set—Ref. No.358.
- Included in Carburetor Overhaul Kit—Ref. No. 121.

- ◆ Included in Carburetor Gasket Set—Ref. No. 977.
- ⊗ Included in Valve Gasket Set—Ref. No 1095.

Illustrations cover a range of engines. Parts shown without corresponding text may not be used on your specific engine.
0517-10 Assemblies include all parts shown in frames. 6C-7/2002

REF. NO.	PART NO.	DESCRIPTION	REF. NO.	PART NO.	DESCRIPTION	REF. NO.	PART NO.	DESCRIPTION
20	*399781	Seal-Oil (PTO Side)	25	499429	Piston Assembly (Standard) (Used After Code Date 97011200).	26	499425	Ring Set (Standard) (Used After Code Date 97011200).
20A	*691952	Seal-Oil (PTO Side) (Auxiliary PTO)			Note			Note
22	691092	Screw (Crankcase Cover/Sump)		493262	Piston Assembly (Standard) (Used Before Code Date 97011300).		493261	Ring Set (Standard) (Used Before Code Date 97011300).
23	692315	Flywheel (Rewind Start)						
23A	691987	Flywheel (Electric Start)		499430	Piston Assembly (.010" Oversize) (Used After Code Date 97011200).		499426	Ring Set (.010" Oversize) (Used After Code Date 97011200).
		Note		493385	Piston Assembly (.010" Oversize) (Used Before Code Date 97011300).		493388	Ring Set (.010" Oversize) (Used Before Code Date 97011300).
		691992 Flywheel (Electric Start) Used on Type No(s). 0645, 0817, 0882, 0883, 0905, 1189, 1192, 1570, 1571, 1580, 1581, 1914, 1917, 1982, 2001, 2017, 2026, 2325, 2356, 2403, 2404, 2405, 2407, 2671, 2681, 2682, 3116, 3181, 3182.		499431	Piston Assembly (.020" Oversize) (Used After Code Date 97011200).		499427	Ring Set (.020" Oversize) (Used After Code Date 97011200).
		696291 Flywheel (Electric Start) Used on Type No(s). 1925, 2027, 2327, 2329, 2611, 2612, 2613, 3186.		493386	Piston Assembly (.020" Oversize) (Used Before Code Date 97011300).		493389	Ring Set (.020" Oversize) (Used Before Code Date 97011300).
				499432	Piston Assembly (.030" Oversize) (Used After Code Date 97011200).		499428	Ring Set (.030" Oversize) (Used After Code Date 97011200).
				493387	Piston Assembly (.030" Oversize) (Used Before Code Date 97011300).		493390	Ring Set (.030" Oversize) (Used Before Code Date 97011300).

★ Included in Engine Gasket Set—Ref. No.358.

● Included in Carburetor Overhaul Kit—Ref. No. 121.

◆ Included in Carburetor Gasket Set—Ref. No. 977.

⊗ Included in Valve Gasket Set—Ref. No 1095.

Illustrations cover a range of engines. Parts shown without corresponding text may not be used on your specific engine.
0517-11 Assemblies include all parts shown in frames. 6C-7/2002

12F800

REF. NO.	PART NO.	DESCRIPTION	REF. NO.	PART NO.	DESCRIPTION	REF. NO.	PART NO.	DESCRIPTION
27	691866	Lock-Piston Pin (Used After Code Date 97011200). ----- Note ----- 691588 Lock-Piston Pin (Used Before Code Date 67011300).	36	691270	Spring-Valve (Exhaust)	55	691421	Housing-Rewind Starter
28	499423	Pin-Piston (Standard) (Used After Code Date 97011200). ----- Note ----- 298909 Pin-Piston (Standard) (Used Before Code Date 97011300). 298908 Pin-Piston (.005" Oversize) (Used Before Code Date 97011300).	37	694086	Guard-Flywheel	55A	492831	Housing-Rewind Starter
29	499424	Rod-Connecting (Standard) (Used After Code Date 97011200). ----- Note ----- 490566 Rod-Connecting (Used Before Code Date 97011300). 490743 Rod-Connecting (.020" Undersize) (Used Before Code Date 97011300).	40	692194	Retainer-Valve	57	491889	Spring-Rewind Starter
32	691664	Screw (Connecting Rod)	43	691997	Slinger-Governor/Oil ----- Note ----- 691486 Slinger-Governor/Oil Used on Type No(s). 3116.	58	280399	Rope-Starter (Cut To Required Length)
32A	695759	Screw (Connecting Rod) (Used After Code Date 00042200).	45	690548	Tappet-Valve	59	396892	Insert-Grip
33	262651	Valve-Exhaust	46	691449	Camshaft (Used After Code Date 96060200). ----- Note ----- 492830 Camshaft (Used Before Code Date 96060300).	60	281434	Grip-Starter Rope (One Piece)
34	262652	Valve-Intake	46A	691459	Camshaft (Counterclockwise) (Used After Code Date 96060200). ----- Note ----- 493738 Camshaft (Counterclockwise) (Used Before Code Date 96060300).	60A	393152	Grip-Starter Rope (Two Piece)
35	691270	Spring-Valve (Intake)	50	497465	Manifold-Intake	65	690837	Screw (Rewind Starter)
			51	*272199	Gasket-Intake	73	691222	Screen-Rotating
			54	691650	Screw (Intake Manifold)	73A	224527	Screen-Rotating
						78	691108	Screw (Flywheel Guard)
						81	691740	Lock-Muffler Screw
						83	691778	Shaft-Auxiliary Drive ----- Note ----- 690522 Shaft-Auxiliary Drive Used on Type No(s). 1170, 2950, 2951. 690527 Shaft-Auxiliary Drive Used on Type No(s). 1141, 1172, 1516.
						94	*493765	Kit-Idle Mixture
						95	691636	Screw (Throttle Valve)
						97	493267	Shaft-Throttle ----- Note ----- 696565 Shaft-Throttle (Primer System) (Used After Code Date 01040800).
						98	398185	Kit-Idle Speed (Carburetor)
						98A	493280	Kit-Idle Speed (Control Bracket)
						101	691623	Pin-Shaft
						101A	262626	Pin-Shaft

* Included in Engine Gasket Set-Ref. No. 358.
● Included in Carburetor Overhaul Kit-Ref. No. 121.

◆ Included in Carburetor Gasket Set-Ref. No. 977.
⊗ Included in Valve Gasket Set-Ref. No. 1095.

Illustrations cover a range of engines. Parts shown without corresponding text may not be used on your specific engine.
0517-12 Assemblies include all parts shown in frames. 6C-7/2002

REF. NO.	PART NO.	DESCRIPTION	REF. NO.	PART NO.	DESCRIPTION	REF. NO.	PART NO.	DESCRIPTION
104	●691242	Pin-Float Hinge						
108	691182	Valve-Choke						
109	494218	Shaft-Choke						
109A	498593	Shaft-Choke Used on Type No(s). 1910, 1914, 2001, 2017, 2026, 2403, 2404, 2405, 2407, 2681, 2682, 3116.	118	497315	Jet-Main (High Altitude) (Used After Code Date 96060200). ----- Note ----- 496495 Jet-Main (High Altitude) (Used After Code Date 95102900 and Before Code Date 96060300).	125	498170	Carburetor (Used After Code Date 96060200). ----- Note ----- 498254 Carburetor (Used Before Code Date 96060300).
117	494870	Jet-Main (Standard) (Used After Code Date 96060200). ----- Note ----- 497466 Jet-Main (Standard) (Used After Code Date 95102900 and Before Code Date 96060300).	118A	498981	Jet-Main (High Altitude) (Used After Code Date 96060200). ----- Note ----- 496063 Jet-Main (High Altitude) (Used Before Code Date 96060300). 498975 Jet-Main (High Altitude) Used on Type No(s). 1910, 1914, 2001, 2017, 2026, 2403, 2404, 2405, 2407, 2681, 2682, 3116.	125A	498965	Carburetor (Used After Code Date 96060200). ----- Note ----- 499059 Carburetor (Used After Code Date 96060200). Used on Type No(s). 1910, 1914, 2001, 2017, 2026, 2403, 2404, 2405, 2407, 2681, 2682, 3116. 494217 Carburetor (Used Before Code Date 96060300).
117A	498977	Jet-Main (Standard) (Used After Code Date 96060200). ----- Note ----- 493637 Jet-Main (Standard) (Used Before Code Date 96060300). 498978 Jet-Main (Standard) Used on Type No(s). 1910, 1914, 2001, 2017, 2026, 2403, 2404, 2405, 2407, 2681, 2682, 3116.	121	498260	Kit-Carburetor Overhaul	127	●694468	Plug-Weich
						130	691203	Valve-Throttle Used on Type No(s). 1910, 1914, 2001, 2017, 2026, 2403, 2404, 2405, 2407, 2681, 2682, 3116. ----- Note ----- 696564 Valve-Throttle (Primer System) (Used After Code Date 01040800).
						130A	691181	Valve-Throttle
						133	398187	Float-Carburetor
						134	●398188	Kit-Needle/Seat
						137	●●693981	Gasket-Float Bowl

★ Included in Engine Gasket Set-Ref. No.358.
● Included in Carburetor Overhaul Kit-Ref. No. 121.

◆ Included in Carburetor Gasket Set-Ref. No. 977.
⊗ Included in Valve Gasket Set-Ref. No 1095.

Illustrations cover a range of engines. Parts shown without corresponding text may not be used on your specific engine.
0517-13 Assemblies include all parts shown in frames. 6C-7/2002

12F800

REF. NO.	PART NO.	DESCRIPTION	REF. NO.	PART NO.	DESCRIPTION	REF. NO.	PART NO.	DESCRIPTION
144	493824	Pulley/Spring Assembly		691290	Spring-Governor	209A	691835	Spring-Governor
146	690979	Key-Timing			Used on Type No(s). 1910, 1914, 2026.			Note
159	691753	Bracket-Air Cleaner Primer		691291	Spring-Governor			690568 Spring-Governor
163*	272653	Gasket-Air Cleaner			Used on Type No(s). 0848, 0878, 0880, 0890, 1189, 1733, 1948, 1978, 1980.			Used on Type No(s). 1192.
187	691050	Line-Fuel (Cut to Required Length)			Used on Type No(s). 0600, 0610, 0625, 0630, 0632, 0639, 0640, 0808, 0817, 0821, 0823, 0826, 0829, 0836, 0839, 0853, 0883, 0899, 0909, 1108, 1119, 1128, 1141, 1145, 1148, 1152, 1153, 1156, 1172, 1199, 1313, 1315, 1508, 1516, 1521, 1574, 1700, 1725, 1732, 1908, 1915, 1917, 1943, 1999, 2009, 2022, 2308, 2319, 2353, 2409, 2608, 2674, 2684, 3113, 3115, 3187.			691275 Spring-Governor
		Note						Used on Type No(s). 0833, 0835, 1110, 1173, 1174, 1581.
	296004	Line-Fuel (Cut to Required Length)		690319	Spring-Governor			691833 Spring-Governor
		Used on Type No(s). 0853, 2612, 2613.			Used on Type No(s). 0600, 0610, 0625, 0630, 0632, 0639, 0640, 0808, 0817, 0821, 0823, 0826, 0829, 0836, 0839, 0853, 0883, 0899, 0909, 1108, 1119, 1128, 1141, 1145, 1148, 1152, 1153, 1156, 1172, 1199, 1313, 1315, 1508, 1516, 1521, 1574, 1700, 1725, 1732, 1908, 1915, 1917, 1943, 1999, 2009, 2022, 2308, 2319, 2353, 2409, 2608, 2674, 2684, 3113, 3115, 3187.			Used on Type No(s). 0837, 0841, 0869, 1176.
187A	691371	Line-Fuel (Molded)						691834 Spring-Governor
187B	692042	Line-Fuel (Includes Filter)						Used on Type No(s). 0822, 1188.
187C	696292	Line-Fuel (Molded)						690569 Spring-Governor
		Note						Used on Type No(s). 0637, 0638, 0645, 0818, 0819, 0918, 1159, 1210, 1212, 1941, 1944, 2329, 2357, 2377, 2378, 3168.
	698164	Line-Fuel (Molded)		691852	Spring-Governor			691276 Spring-Governor
		Used on Type No(s). 2612, 2613.			Used on Type No(s). 1210, 1212, 1380, 1381, 1770, 1941, 1944, 2329, 2357, 2375, 2376, 2377, 2378, 3128, 3181, 3168.			Used on Type No(s). 0892, 0917.
188	690877	Screw (Control Bracket)						262663 Spring-Governor
190	690940	Screw (Fuel Tank)						Used on Type No(s). 0642, 0644, 0911.
202	691829	Link-Mechanical Governor						
209	691292	Spring-Governor						

* Included in Engine Gasket Set-Ref. No.358.

● Included in Carburetor Overhaul Kit-Ref. No. 121.

◆ Included in Carburetor Gasket Set-Ref. No. 977.

⊘ Included in Valve Gasket Set-Ref. No 1095.

Illustrations cover a range of engines. Parts shown without corresponding text may not be used on your specific engine.

0517-14

Assemblies include all parts shown in frames.

6C-7/2002

REF. NO.	PART NO.	DESCRIPTION	REF. NO.	PART NO.	DESCRIPTION	REF. NO.	PART NO.	DESCRIPTION
217	690354	Spring—Choke Return	268	691025	Casing—Control Wire (72" Long) (Cut to Required Length)	304	493293	Housing—Blower
222	692031	Bracket—Control (Remote/Manual Friction)(Primer)						Note
222A	692021	Bracket—Control (Remote Choke A Matic, Non Compliance)			Note			493294 Housing—Blower
222C	692150	Bracket—Control (Remote/Manual Friction) (Variable Speed and 5 Position Manual Choke)	269	691026	Wire—Control (78" Long) (Cut to Required Length)			Used on Type No(s). 0645, 0653, 0817, 0837, 0841, 0842, 0843, 0847, 0859, 0862, 0869, 0875, 0879, 0882, 0883, 0905, 0906, 0908, 0910, 0917, 0919, 1160, 1161, 1162, 1167, 1175, 1176, 1177, 1178, 1181, 1182, 1186, 1187, 1189, 1191, 1192, 1198, 1199, 1312, 1314, 1360, 1379, 1524, 1558, 1559, 1560, 1562, 1568, 1570, 1571, 1573, 1580, 1581, 1733, 1910, 1914, 1917, 1918, 1940, 1943, 1975, 1982, 2001, 2006, 2010, 2013, 2017, 2023, 2026, 2325, 2356, 2403, 2404, 2405, 2407, 2624, 2625, 2671, 2681, 2682, 3110, 3112, 3116, 3117, 3120, 3179, 3180, 3181, 3182, 3184.
222D	692467	Bracket—Control (Remote/Manual Friction) (Variable Speed and 5 Position Manual Choke, Without Stopswitch)			Note			695892 Housing—Blower
222E	692982	Bracket—Control (Fixed Speed and 5 Position Manual Choke)	270	691027	Nut (Control Wire Casing)			Used on Type No(s). 2411.
227	690783	Lever—Governor Control	271	691028	Lever—Control			696298 Housing—Blower
236	262461	Link—Lockout	276	271716	Washer—Sealing			Used on Type No(s). 1925, 2027, 2327, 2329, 2611, 2612, 2613, 3186.
240	298090	Filter—Fuel	276A	280973	Washer—Sealing (Pawl Friction Plate)			
259	691223	Bracket—Casing Clamp	287	690940	Screw (Dipstick Tube)			
265	690798	Clamp—Casing	300	496106	Muffler (Tuned)			
265A	691024	Clamp—Casing	300A	494343	Muffler (Square Lo Tone)			
267	691044	Screw (Casing Clamp)	300B	497681	Muffler (Catalyst)			

* Included in Engine Gasket Set—Ref. No.358.
 • Included in Carburetor Overhaul Kit—Ref. No. 121.

• Included in Carburetor Gasket Set—Ref. No. 977.
 ∅ Included in Valve Gasket Set—Ref. No 1095.

Illustrations cover a range of engines. Parts shown without corresponding text may not be used on your specific engine.
 0517-15 Assemblies include all parts shown in frames. 6C-7/2002

12F800

REF. NO.	PART NO.	DESCRIPTION	REF. NO.	PART NO.	DESCRIPTION	REF. NO.	PART NO.	DESCRIPTION
305	691108	Screw (Blower Housing)	455	695161	Cup-Flywheel	613	691340	Screw (Muffler)
306	690450	Shield-Cylinder	456	692299	Plate-Pawl Friction	613A	691653	Screw (Muffler)
307	690345	Screw (Cylinder Shield)	456A	224321	Plate-Pawl Friction	613B	691114	Screw (Muffler)
309	695550	Motor-Starter (Used After Code Date 00040600).	459	281505	Pawl-Ratchet	615	690340	Retainer-Governor Shaft
		Note	459A	492833	Pawl-Ratchet	616	691308	Crank-Governor
		691376 Motor-Starter (Used Before Code Date 00040700).	474	691991	Alternator	617	270344	Seal-O Ring (Intake Manifold)
310	692327	Bolt (Starter Motor)	497	690664	Screw (Stopswitch Bracket)	621	692310	Switch-Stop
332	690662	Nut (Flywheel)	500	691086	Washer (Key Switch)	627	692872	Bracket-Stopswitch
333	802574	Armature-Magneto	505	691251	Nut (Governor Control Lever)	633	691321	Seal-Choke/Throttle Shaft
334	691061	Screw (Magneto Armature)	507	691972	Insulator	633A	693867	Seal-Choke/Throttle Shaft Used on Type No(s). 1910, 1914, 2001, 2017, 2026, 2403, 2404, 2407, 2681, 2682, 3116.
337	802592	Plug-Spark	510	494147	Drive-Starter	635	66538	Boot-Spark Plug
346	690661	Screw (Spark Arrestor)	513	692358	Clutch-Drive	651	93490	Screw (Starter Gear Cover)
347	691396	Switch-Rocker	520	691084	Terminal-Ground	664	691087	Nut (Key Switch)
356	692390	Wire-Stop	523	495264	Dipstick	668	493823	Spacer (Includes 2)
356A	690650	Wire-Stop	524	692296	Seal-Dipstick Tube	670	692294	Spacer-Fuel Tank
356B	693010	Wire-Stop	525	495265	Tube-Dipstick	676	396548	Deflector-Muffler (Louvered)
356C	690808	Wire-Stop	529	691923	Grommet	676A	393756	Deflector-Muffler (Side Out) (Shallow)
356D	496381	Wire-Stop	544	690786	Armature-Starter	676B	397931	Deflector-Muffler (Direct Out)
358	497316	Gasket Set-Engine	545	492919	Washer Set (Starter Motor)	676C	493871	Deflector-Muffler (Side Out) (Extended) (Horseshoe)
359	691077	Washer (Ground Terminal)	562	92613	Bolt (Governor Control Lever)	676D	497682	Deflector-Muffler (For TUV)
363	19069	Pulley-Flywheel	564	690664	Screw (Control Cover)	677	690661	Screw (Muffler Deflector)
365	692524	Screw (Carburetor)	564A	691142	Screw (Control Cover)	678	224278	Spacer-Rewind
373	691612	Nut (Ground Terminal)	578	398153	Wire Assembly			
374	691074	Washer (Camshaft)	584	692342	Cover-Breather Passage			
383	89838	Wrench-Spark Plug	585	691879	Gasket-Breather Passage			
404	690272	Washer (Governor Crank)	592	690800	Nut (Rewind Starter)			
425A	690670	Screw (Air Cleaner Cover)	597	691696	Screw (Pawl Friction Plate)			
443A	692523	Screw (Air Cleaner Primer Base)	601	95162	Clamp-Hose (Green)			
445A	491588	Filter-Air Cleaner Cartridge	601A	691038	Clamp-Hose (Black)			
			604	691757	Cover-Control			
			604A	691344	Cover-Control			
			608	497680	Starter-Rewind			
			608A	497598	Starter-Rewind			

* Included in Engine Gasket Set-Ref. No.358.

● Included in Carburetor Overhaul Kit-Ref. No. 121.

◆ Included in Carburetor Gasket Set-Ref. No. 977.

⊘ Included in Valve Gasket Set-Ref. No 1095.

Illustrations cover a range of engines. Parts shown without corresponding text may not be used on your specific engine.
0517-16 Assemblies include all parts shown in frames. 6C-7/2002

REF. NO.	PART NO.	DESCRIPTION	REF. NO.	PART NO.	DESCRIPTION	REF. NO.	PART NO.	DESCRIPTION
684	690345	Screw (Breather Passage Cover)	789B	494544	Harness-Wiring ----- Note ----- 696547 Harness- Wiring	871	262001	Bushing-Valve Guide (Exhaust) ----- Note ----- 63709 Bushing-Valve Guide
689	691855	Spring-Friction			Used on Type No(s). 0644, 0654, 0918, 1209, 1210, 1212, 1324, 1936, 1944, 2377, 3127, 3510.			(Intake)
689A	262625	Spring-Friction (Rewind Starter)				883	*691881	Gasket-Exhaust
692	690572	Spring-Detent				892	690646	Switch-Key
697	691127	Screw (Drive Cap)	801	690782	Cap-Drive	910	691094	Stud (Alternator)
715	691693	Screw (Shaft Stop)	802	695267	Cap-End (Used After Code Date 00040600).	921	497233	Cover-Blower Housing (Red)
721	690449	Stop-Shaft			----- Note ----- 695975 Cap-End (Used Before Code Date 00040700).	921A	695886	Cover-Blower Housing (Black)
741	691830	Gear-Timing				921B	692931	Cover-Blower Housing (Black) ----- Note ----- 692932 Cover-Blower Housing
742	93941	Retainer-E Ring						(Red)
743	691772	Gear-Drive (Counterclockwise) ----- Note ----- 690516 Gear-Drive (Clockwise) Used on Type No(s). 0860, 2950.	803	695266	Housing-Starter (Used After Code Date 00040600).	921E	696262	Cover-Blower Housing (Black)
745	691648	Screw (Brake)			----- Note ----- 695975 Housing- Starter (Used Before Code Date 00040700).	922	691831	Spring-Brake ----- Note ----- 692135 Spring-Brake Used on Type No(s). 2411.
776	396526	Guide-Rope	832	499034	Guard-Muffler	923	691994	Brake ----- Note ----- 695891 Brake Used on Type No(s). 2411.
783	691918	Gear-Pinion (Starter)	832A	691424	Guard-Muffler	925	690595	Cover-Linkage
783A	691269	Gear-Pinion	832B	497683	Guard-Muffler	930	691919	Guard-Rewind (Round)
784	692341	Cover-Starter Gear	836	690664	Screw (Muffler Guard)	930A	691345	Guard-Rewind (Tear Drop)
785	692352	Gasket-Starter Cover	836A	690664	Screw (Muffler Guard)	930C	690598	Guard-Rewind (Trim Ring)
789	695551	Harness-Wiring (Used After Code Date 00040600). ----- Note ----- 690790 Harness- Wiring (Used Before Code Date 00040700). 696546 Harness- Wiring Used on Type No(s). 2405.	836B	691147	Screw (Muffler Guard) Used on Type No(s). 0915, 1194, 1318.	935	499421	Switch-Interlock (Used After Code Date 92100600). ----- Note ----- 398758 Switch- Interlock (Used Before Code Date 92100700).
789A	695552	Harness-Wiring (Used After Code Date 00040600). ----- Note ----- 691372 Harness- Wiring (Used Before Code Date 00040700).	842	*691031	Seal-O Ring (Dipstick Tube)	937	691325	Spline-Starter
			843	691884	Sleeve-Lever (Speed Control)			
			843A	691895	Sleeve-Lever (Choke)			
			847	692017	Dipstick/Tube Assembly			
			851	493880	Terminal-Spark Plug			
			853	695268	Adapter-Wire			
			869	691155	Seat-Valve (Intake)			
			870	690380	Seat-Valve (Exhaust)			

* Included in Engine Gasket Set-Ref. No.358.

● Included in Carburetor Overhaul Kit-Ref. No. 121.

◆ Included in Carburetor Gasket Set-Ref. No. 977.

⊗ Included in Valve Gasket Set-Ref. No 1095.

Illustrations cover a range of engines. Parts shown without corresponding text may not be used on your specific engine.
0517-17 Assemblies include all parts shown in frames. 6C-7/2002

12F800

REF. NO.	PART NO.	DESCRIPTION	REF. NO.	PART NO.	DESCRIPTION	REF. NO.	PART NO.	DESCRIPTION
940	691004	Screw (Casing Clamp Bracket)	977	498261	Gasket Set-Carburetor	1058	275177	Owner's Manual
946	691738	Stop-Rope	990	691959	Key Set	----- Note -----		
957	397974	Cap-Fuel Tank (Plastic)	990A	695951	Key Set (Touch N Mow)			274940 Owner's Manual (Touch N Mow)
958	494768	Valve-Fuel Shut Off (Plastic)	994	398067	Arrestor-Spark	1059	692311	Kit-Screw/Washer
966A	496116	Base-Air Cleaner Primer	994A	692957	Arrestor-Spark	1095	498528	Gasket Set-Valve
967A	493537	Filter-Pre Cleaner	1009	696255	Screw (Starter Motor)	1102	691255	Pilot-Guide
968B	692298	Cover-Air Cleaner	1019	494256	Kit-Label	1119	691648	Screw (Alternator)
969	690700	Screw (Blower Housing Cover)	1036	695111	Label-Emission (Used After Code Date 99093000).	1134	224322	Washer (Pawl Friction Plate)
969A	691138	Screw (Blower Housing Cover)	----- Note -----			1160	691627	Screw (Interlock Switch)
970	691669	Screw (Air Cleaner Primer Bracket)	697378	Label-Emission (Used on D1 Trim Engines Only)	1210	498144	Pulley/Spring Assembly (Pulley)	
972B	495224	Tank-Fuel (Plastic)	694458	Label-Emission (Used After Code Date 98123100 and Before Code Date 99100100).	1211	498144	Pulley/Spring Assembly (Spring)	
		----- Note -----	499341	Label-Emission (Used After Code Date 97012000 and Before Code Date 99010100).	1236	695959	Starter-Mechanical (Touch N Mow) (Do Not Service Individual Parts, Only As A Whole)	
975	493640	Bowl-Float	499340	Label-Emission (Used Before Code Date 97012100).				
976	694395	Primer-Carburetor (Used After Code Date 99051200).						
		----- Note -----						
		496115 Primer-Carburetor (Used Before Code Date 99051300).						

* Included in Engine Gasket Set-Ref. No.358.

● Included in Carburetor Overhaul Kit-Ref. No. 121.

◆ Included in Carburetor Gasket Set-Ref. No. 977.

⊘ Included in Valve Gasket Set-Ref. No 1095.

Illustrations cover a range of engines. Parts shown without corresponding text may not be used on your specific engine.

0517-18

Assemblies include all parts shown in frames.

6C-7/2002



**Yvan Béal - 21, av. de l'Agriculture - B.P. 16
Z.I. du Brézet - 63014 Clermont-Ferrand Cedex 2
Tél : 04 73 91 93 51 - Télécopie : 04 73 90 23 11
www.yvanbeal.fr - E-mail : info@yvanbeal.fr
R.C.S. Clermont-Fd B 304 973 886 - S.A.S. au capital de 612 000 €**