

REPAIR PARTS MANUAL

Model G3554490
11HP/30" Deck

HOW TO ORDER REPAIR PARTS

Only use a factory repair part. Repair parts, except for the engine or the transmission, are available from the store where the unit was purchased, a service shop recommended by the store, or an authorized service shop found in the yellow pages of the telephone directory.

If you cannot get a repair part or service as described above, call or write to the Central Parts Distributor shown on the back page of this manual or write: **Customer Service Department, Outdoor Power Equipment, PO Box 8000, Jackson, TN 38308, 1-800-247-7464**. Collect telephone calls will not be accepted. When you order, include the following information: **1-** Complete Model Number (see nameplate), **2-** Date of Manufacture, **3-** Complete Part Number, **4-** Description, and **5-** Quantity.

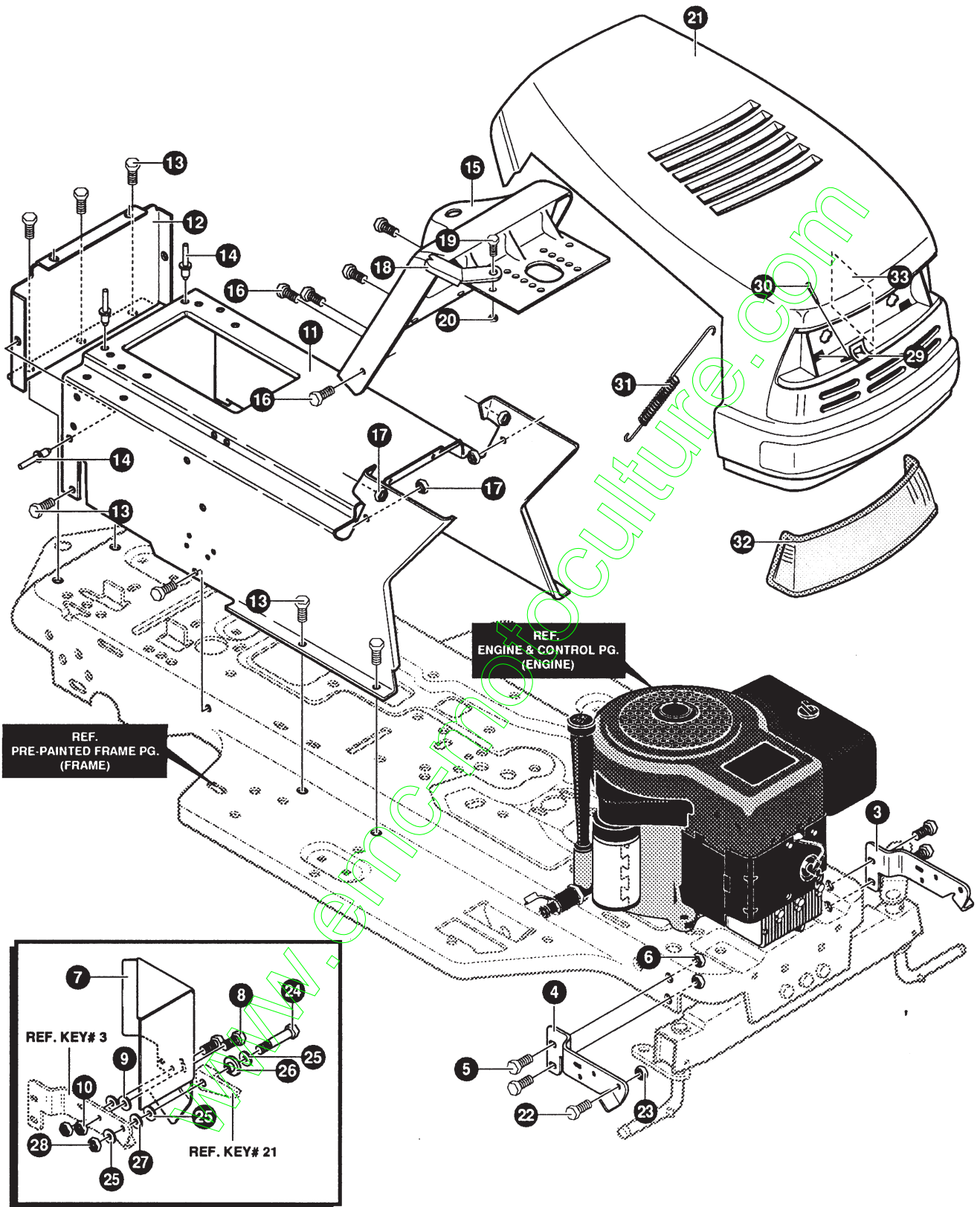
Repair parts for the engine or the transmission are available from the manufacturer's authorized service center found in the yellow pages of the telephone directory. See the individual engine or transmission warranties.

- Read and keep this parts list book for future reference.
- This parts list book contains drawings and part numbers necessary to obtain repair parts.
- Record the following information about your unit. This information is necessary when ordering parts or in case of loss or theft.

WHERE PURCHASED: _____

DATE PURCHASED: Month _____ Day _____ Year _____

MODEL NO.: _____ DATE OF MANUFACTURE: _____

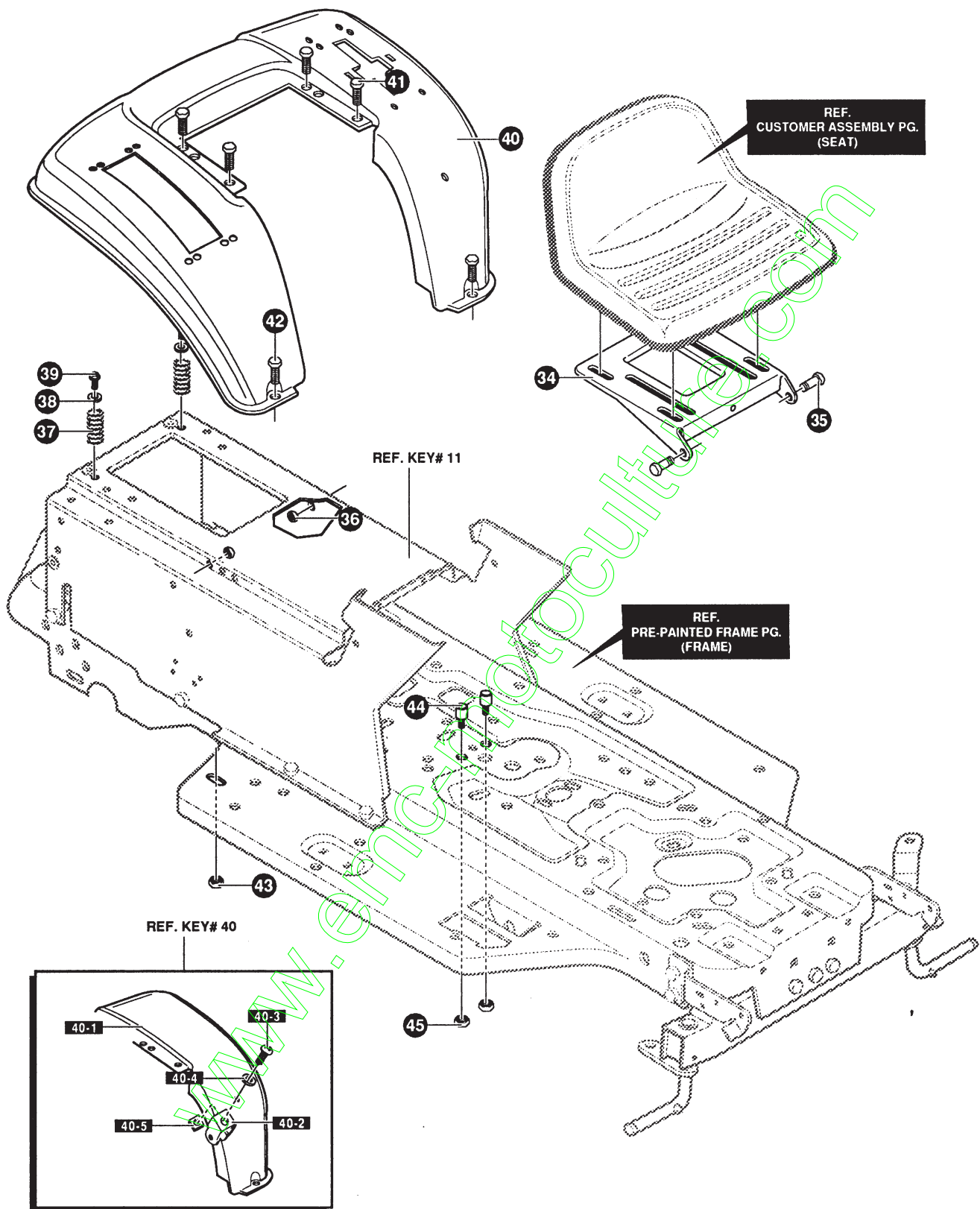


NOTE: ALWAYS USE ORIGINAL EQUIPMENT PARTS. Use of service/replacement parts other than original equipment parts may void your warranty.

ALL UNNUMBERED ITEMS ARE INTERCHANGEABLE WITH OPPOSITE SIDE

338277 A

KEY#	PART#	DESCRIPTION	QTY
3	313001-853	BRACKET, GRILLE , LH	1
4	313002-853	BRACKET, GRILLE, RH	1
5	328154	SCREW, 5/16-18 X 1.0	4
6	55273	NUT, 5/16-18	4
7	312908-853	SHIELD, HEAT	1
8	180020	SCREW, 1/4-20 X .75	2
9	311245	WASHER, FLAT.250 X .75 X INSULATE	2
10	51335	NUT, 1/4-20	2
11	324748-853	CONSOLE	1
12	56235-853	CONSOLE, REAR COVER	1
13	995346	SCREW, 1/4-20 X .50	11
14	46763	RIVET, POP	4
15	320466-853	DASH	1
16	44811	SCREW, 1/4-20 X .75	6
17	50352	NUT, 1/4-20	4
18	313021-853	GUIDE, HOOD	2
19	180020	SCREW, 1/4-20 X .75	2
20	51335	NUT, 1/4-20	2
21	12506	HOOD	1
22	56676	BOLT, 3/75 X .580	1
23	1498	NUT, 5/16-18	1
24	180042	SCREW, 1/4-20 X 1.75	1
25	120392	WASHER, FLAT .281 X .63 X .065	3
26	309532	BEARING FLANGED	1
27	311245	WASHER, FLAT.250 X .75 X INSULATE	1
28	1502	NUT, 1/4-20	1
29	310801	ANCHOR, HOOD LANYARD	1
30	121222	PIN, COTTER	1
31	304784	SPRING, HOOD LATCH	1
32	302670	LENS, HEADLAMP	1
33	301452	FOIL, HEAT REFLECTOR	1
	338922	OPERATOR'S MANUAL (ENGLISH)	1
	338923	OPERATOR'S MANUAL (FRENCH)	1
	338924	OPERATOR'S MANUAL (GERMAN)	1
	338925	OPERATOR'S MANUAL (DANISH)	1
	338926	OPERATOR'S MANUAL (DUTCH)	1
	338927	OPERATOR'S MANUAL (SWEDISH)	1
	338928	OPERATOR'S MANUAL (ITALIAN)	1
	338929	OPERATOR'S MANUAL (SPANISH)	1



NOTE: ALWAYS USE ORIGINAL EQUIPMENT PARTS. Use of service/replacement parts other than original equipment parts may void your warranty.

ALL UNNUMBERED ITEMS ARE INTERCHANGEABLE WITH OPPOSITE SIDE

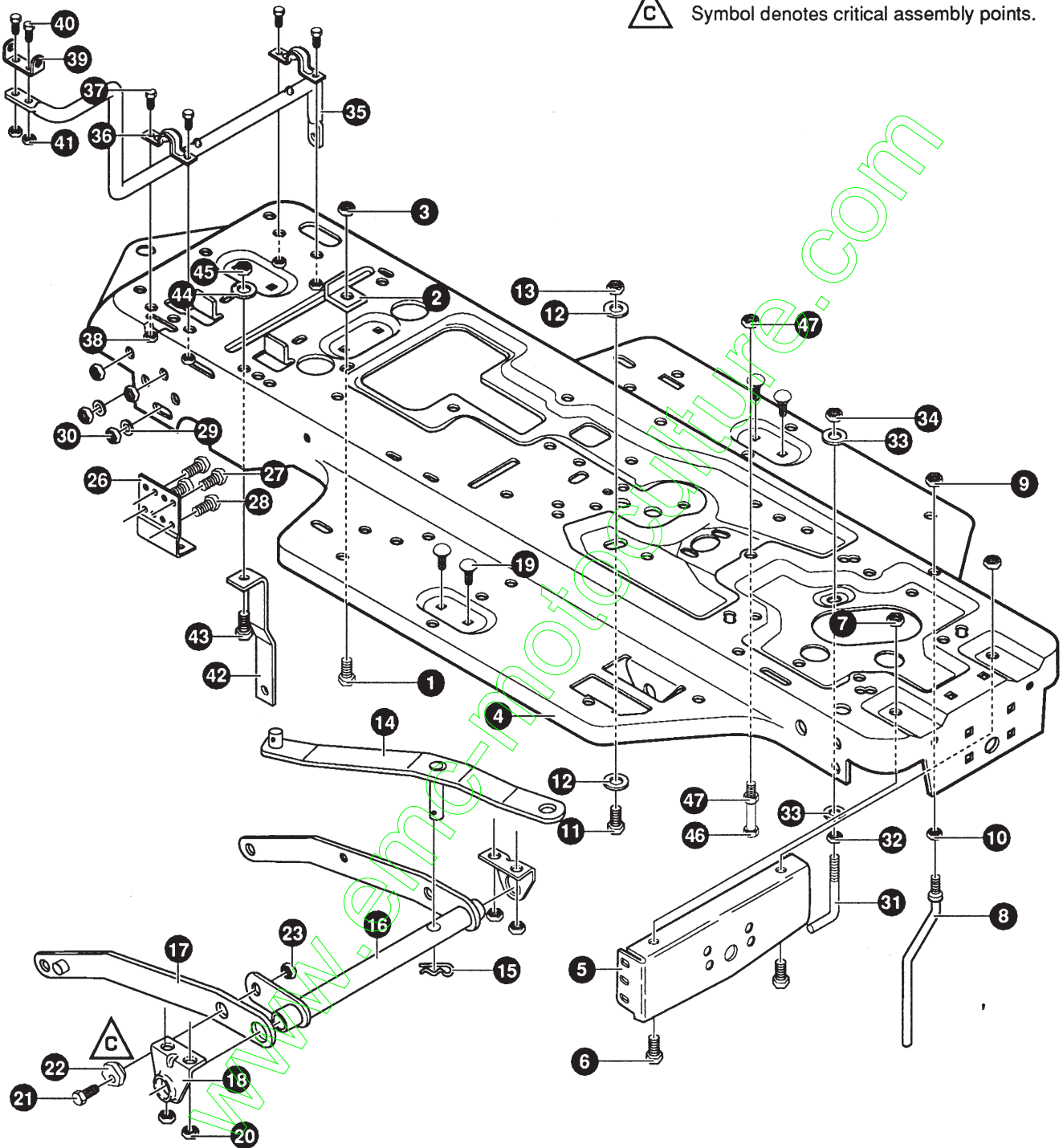
338277 A

KEY#	PART#	DESCRIPTION	QTY
34	331535-853	PLATE, SEAT	1
35	20507	BOLT, .437 X .156	2
36	1498	NUT, 5/16-18	2
37	330463	SPRING, SEAT	2
38	120392	WASHER, FLAT .281 X .63 X .065	2
39	995346	SCREW, 1/4-20 X .50	2
40	*	ASSEMBLY, FENDER	1
40-1	332423-860	FENDER	1
40-2	9239	CLEVIS	1
40-3	439455	SCREW, 5/16-18 X .56	1
40-4	301551	WASHER, .344 ID X 1.50D X .09	1
40-5	120373	NUT, 5/16-18	1
41	995346	SCREW, 1/4-20 X .50	4
42	126358	BOLT, 5/16-18 X 1.00	2
43	55273	NUT, 5/16-18	2
44	53446	PIN, 5/16-18 HOOD LATCH	2
45	271184	NUT, 5/16-18	2

* ORDER INDIVIDUAL PARTS - ASSEMBLY NOT AVAILABLE

www.emc-machinery.com

 Symbol denotes critical assembly points.



NOTE: ALWAYS USE ORIGINAL EQUIPMENT PARTS. Use of service/replacement parts other than original equipment parts may void your warranty.

ALL UNNUMBERED ITEMS ARE INTERCHANGEABLE WITH OPPOSITE SIDE

337768 B

KEY#	PART#	DESCRIPTION	QTY
1	187745	SCREW, 1/4-20 X .75	1
2	9149	CABLE RETAINING BRACKET	1
3	1502	NUT, 1/4-20	1
4	331173-853	FRAME, MAIN	1
5	56362	BRACKET,SUPPORT, FRONT AXLE	1
6	328154	SCREW, 5/16-18 X 1.0	2
7	55273	NUT, 5/16-18	2
8	50653	GUIDE, BELT	1
9	41529	NUT, 3/8-16	1
10	271190	NUT, 3/8-16	1
11	180124	SCREW, 3/8-16 X 1.25	1
12	120394	WASHER, FLAT .406 X .81 X .065	2
13	45171	NUT, 3/8-16	1
14	325587	STRAP ASSEMBLY, PTO	1
15	8260	PIN, HAIR	1
16	326114	LIFT ASSEMBLY, LH	1
17	325130	LIFT ASSEMBLY, RH	1
18	325495	BRACKET, REAR HANG	2
19	330967	BOLT, 5/16-18 X 1.00	4
20	1498	NUT, 5/16-18	4
21	180079	SCREW, 5/16-18 X 1.00	1
22	58247	NUT, ADJUST	1
23	1498	NUT, 5/16-18	1
26	326615	BRACKET, TRANSAXLE	2
27	180077	SCREW, 5/16-18 X .75	4
28	327917	SCREW, 5/16-18 X 1.50	4
29	73787	WASHER, FLAT .330 X .75 X .1793	4
30	1498	NUT, 5/16-18	8
31	49896	BELT GUIDE	1
32	271184	NUT, 5/16-18	1
33	120393	WASHER, FLAT .344 X .69 X .065	2
34	1498	NUT, 5/16-18	1
35	319113	LEVER, SHIFT LOWER	1
36	302760	CLAMP	2
37	180077	SCREW, 5/16-18 X .75	4
38	1498	NUT, 5/16-18	4
39	310356	BRACKET, PIVOT SHIFT LEVER	1
40	180020	SCREW, 1/4-20 X .75	2
41	1502	NUT, 1/4-20	2
42	309770	BRACKET, STABILIZER	1
43	35498	SCREW, 5/16-18 X .75	1
44	120638	WASHER, .328 X .60 X .09	1
45	1498	NUT, 5/16-18	1
46	49930	SCREW, 3/8-16 X 7.50	1
47	1499	NUT, 3/8-16	2

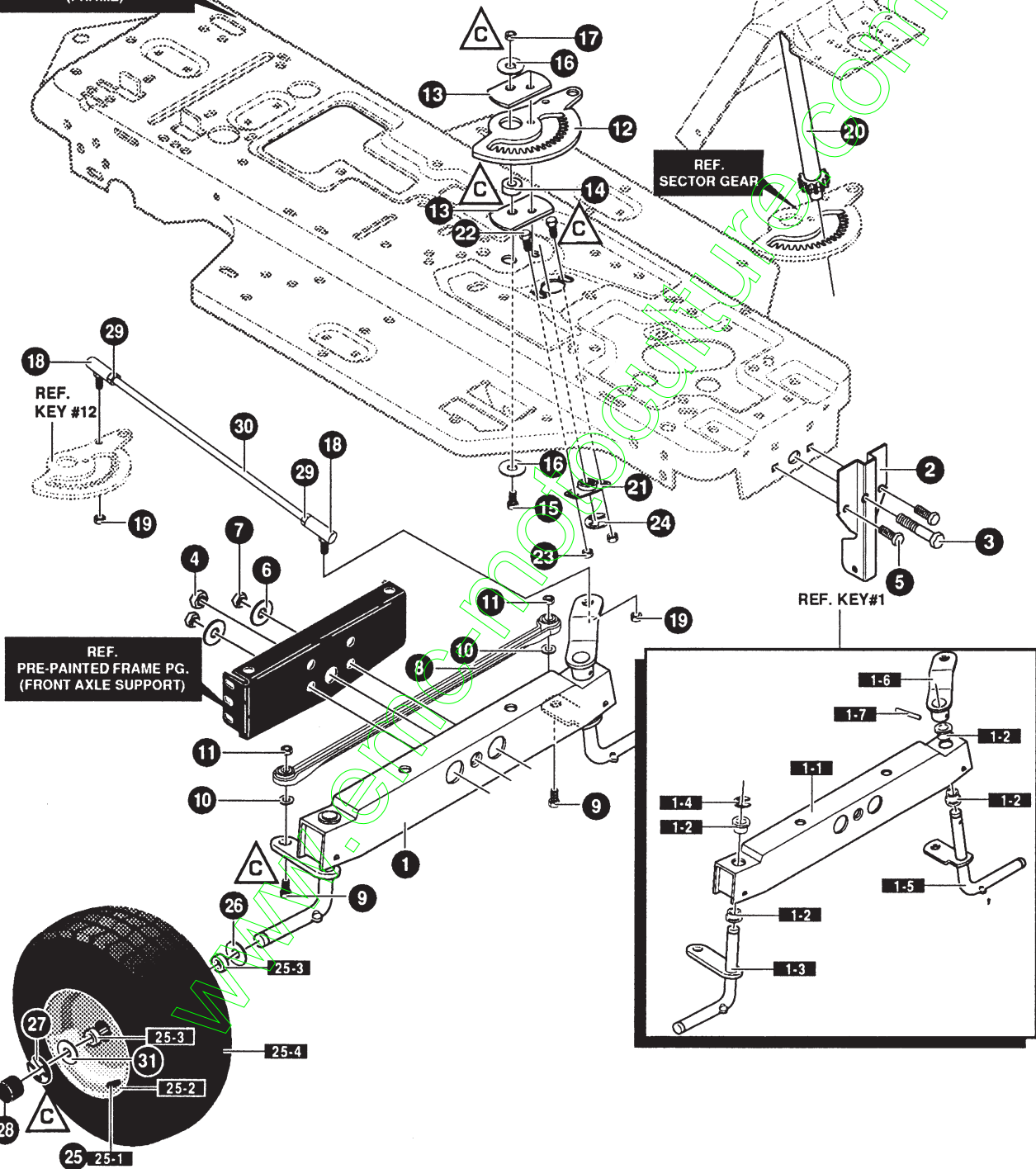
C Symbol denotes critical assembly points.

REF.
CUST. ASSY. PG.
(STEERING WHEEL)

REF.
PRE-PAINTED FRAME PG.
(FRAME)

REF.
CHASSIS & HOOD PG.
(DASH)

REF.
SECTOR GEAR



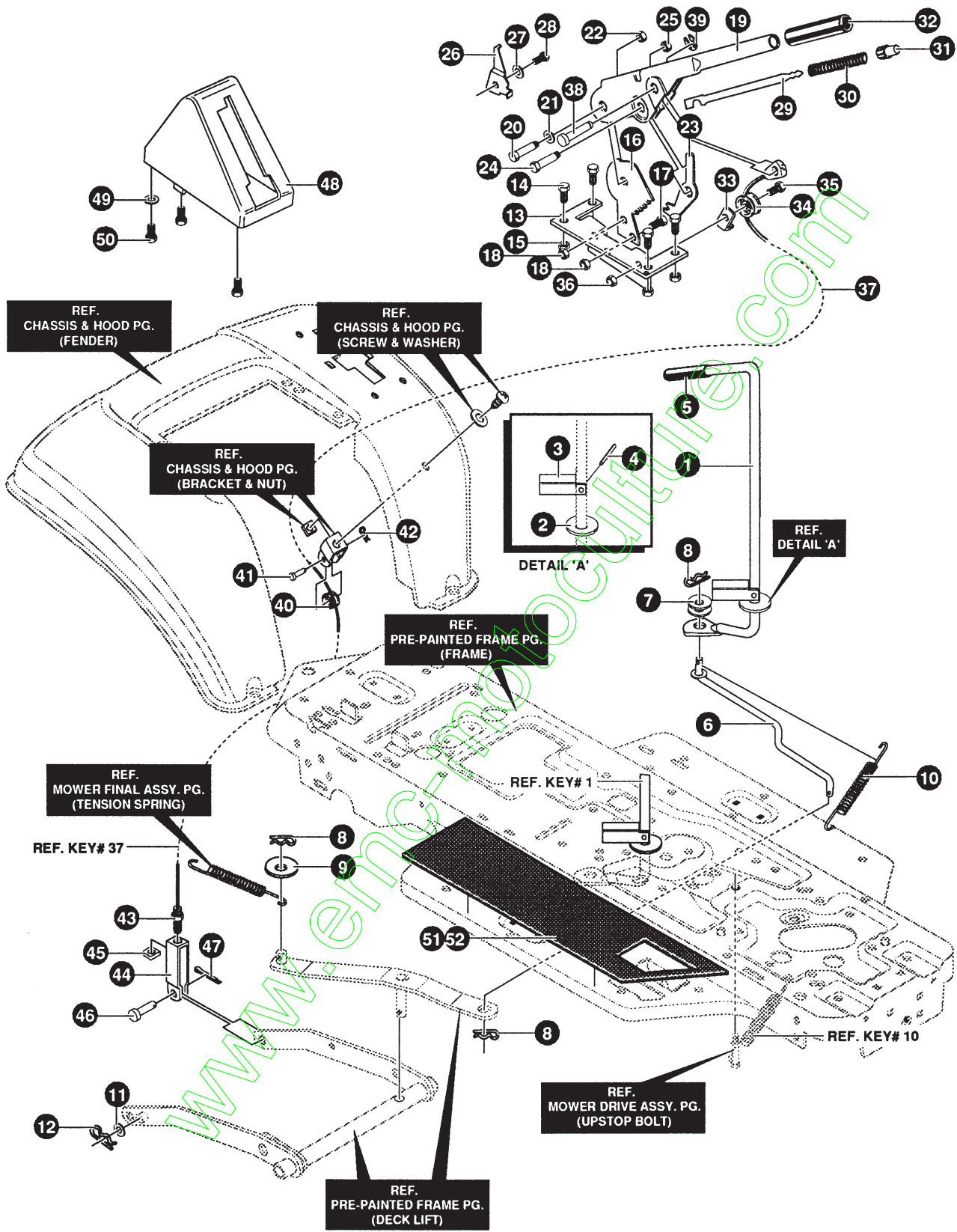
NOTE: ALWAYS USE ORIGINAL EQUIPMENT PARTS. Use of service/replacement parts other than original equipment parts may void your warranty.

ALL UNNUMBERED ITEMS ARE INTERCHANGEABLE WITH OPPOSITE SIDE

338858 B

KEY#	PART#	DESCRIPTION	QTY
1	*	AXLE FRONT ASSEMBLY	1
1-1	312280	FRONT AXLE ASSEMBLY	1
1-2	50546	BEARING, FLANGE	4
1-3	310368	SPINDLE, ASSEMBLY, RH	1
1-4	36625	RING, RETEX	1
1-5	310367	SPINDLE, ASSEMBLY, LH	1
1-6	327619	ASSEMBLY, FRONT STEERING	1
1-7	454565	PIN, SPRING	1
2	338083-853	BRACKET, HANGER	1
3	50720	BOLT, .625 X 2.875	1
4	274654	NUT, 1/2-20	1
5	180138	SCREW, 3/8-16 X 3.00	4
6	2483	WASHER, .39ID X 1.25D X .07	4
7	1498	NUT, 5/16-18	4
8	302688	TIE ROD ASSEMBLY	1
9	180124	SCREW, 3/8-16 X 1.25	2
10	120382	WASHER, .393 X .68 X .10	2
11	1499	NUT, 3/8-16	2
12	327399	GEAR, SECTOR	1
13	333289	PLATE SECTOR	2
14	330021	BUSHING, SECTOR GEAR	1
15	181643	SCREW, 3/8-24 X 1.50	1
16	845	WASHER, FLAT .390 X 1.25 X .119	2
17	412349	NUT, 3/8-24	1
18	57158	BALL JOINT 3/8 THD	2
19	412349	NUT, 3/8-24	2
20	327834	SHAFT, PIN-STEER	1
21	325692	BEARING, FLANGE	1
22	326505	SCREW, 1/4-20 X .75	2
23	46931	NUT, 1/4-20	2
24	20864	RING, RET E	1
25	338855	TIRE & RIM ASSEMBLY, 13 X 5.0-6	2
25-1	338512	VALVE STEM	
25-2	338179	RIM, WHEEL	
25-3	338513	BEARING	
25-4	338181	TIRE, 13 X 5-6	
26	642	WASHER, FLAT .755 X 1.31 X .075	2
27	36625	RING, RETEX	2
28	40394	HUB CAP	2
29	124925	NUT, 3/8-24	2
30	56190	DRAG LINK	1
31	42815	WASHER, FLAT .755 X 1.53 X .07	1

* ORDER INDIVIDUAL PARTS - ASSEMBLY NOT AVAILABLE

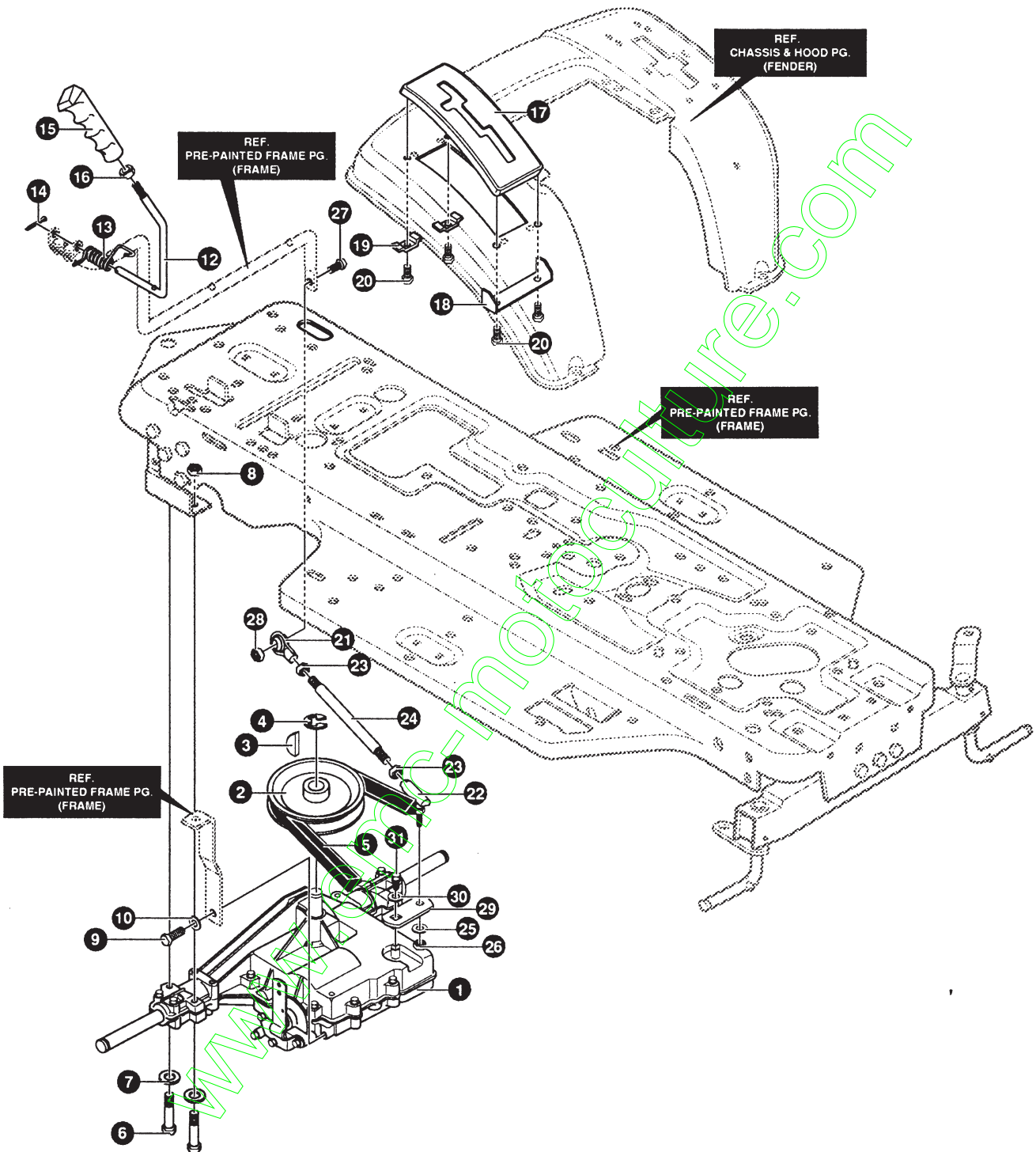


NOTE: ALWAYS USE ORIGINAL EQUIPMENT PARTS. Use of service/replacement parts other than original equipment parts may void your warranty.

ALL UNNUMBERED ITEMS ARE INTERCHANGEABLE WITH OPPOSITE SIDE

338279 A

KEY#	PART#	DESCRIPTION	QTY
1	325591	LEVER, CLUTCH, RH, PTO	1
2	22265	WASHER, FLAT .515 X 1.38 X .119	1
3	305225	STOP, PTO ENGAGE	1
4	326386	PIN, SPRING	1
5	331624	KNOB, ROUND 1.50DIA	1
6	325590	ROD, BELCRANK LINK	1
7	274517	WASHER, FLAT .406 X .73 X .063	2
8	8260	PIN, HAIR	3
9	25210	WASHER, FLAT .386 X 1.25 X .09	1
10	325802	SPRING, TENSION	1
11	417098	WASHER, FLAT .531 X 1.06 X .063	2
12	8260	PIN, HAIR	2
13	313926	BRACKET, HEIGHT ADJUST	1
14	180077	SCREW, 5/16-18 X .75	4
15	1498	NUT, 5/16-18	4
16	301238	QUADRANT, HEIGHT ADJUST	1
17	180077	SCREW, 5/16-18 X .75	2
18	1498	NUT, 5/16-18	2
19	322292-853	HANDLE, LIFT SHORT	1
20	300171	BOLT, .500 X .270	1
21	996418	WASHER, FLAT .506 X .75 X .024	1
22	44108	NUT, 5/16-18	1
23	301239	PAWL, SQUARE	1
24	300171	BOLT, .500 X .270	1
25	44108	NUT, 5/16-18	1
26	9435	POINTER, HEIGHT ADJUST	1
27	138479	WASHER, .195 X .41 X .03	1
28	35287	SCREW, #8-32 X .38	1
29	303027	ROD, ACTUATOR-SHORT	1
30	58326	SPRING, HEIGHT ADJUST	1
31	58325	KNOB, HEIGHT ADJUST	1
32	58329	GRIP, W/ HOLE	1
33	9149	BRACKET, CABLE RETAINER	1
34	48306	PULLEY, METAL	1
35	58336	BOLT, .375 X .375	1
36	1502	NUT, 1/4-20	1
37	57511	LIFT CABLE 20.75	1
38	300310	PIN, CLEVIS	1
39	300311	RING, RET E	1
40	48306	PULLEY, METAL	1
41	300317	PIN, CLEVIS	1
42	8260	PIN, HAIR	1
43	120375	NUT, 1/4-20	1
44	9405	CLEVIS, LIFT CABLE	1
45	120372	NUT, 1/4-20	1
46	39522	PIN, CLEVIS	1
47	121222	PIN, COTTER	1
48	333903	LIFT COVER	1
49	120392	WASHER, FLAT .281 X .63 X .065	1
50	300340	SCREW, #10 X .75	3
51	331834	FOOT PAD, RH, GRIT	1
52	331835	FOOT PAD, LH, GRIT	1



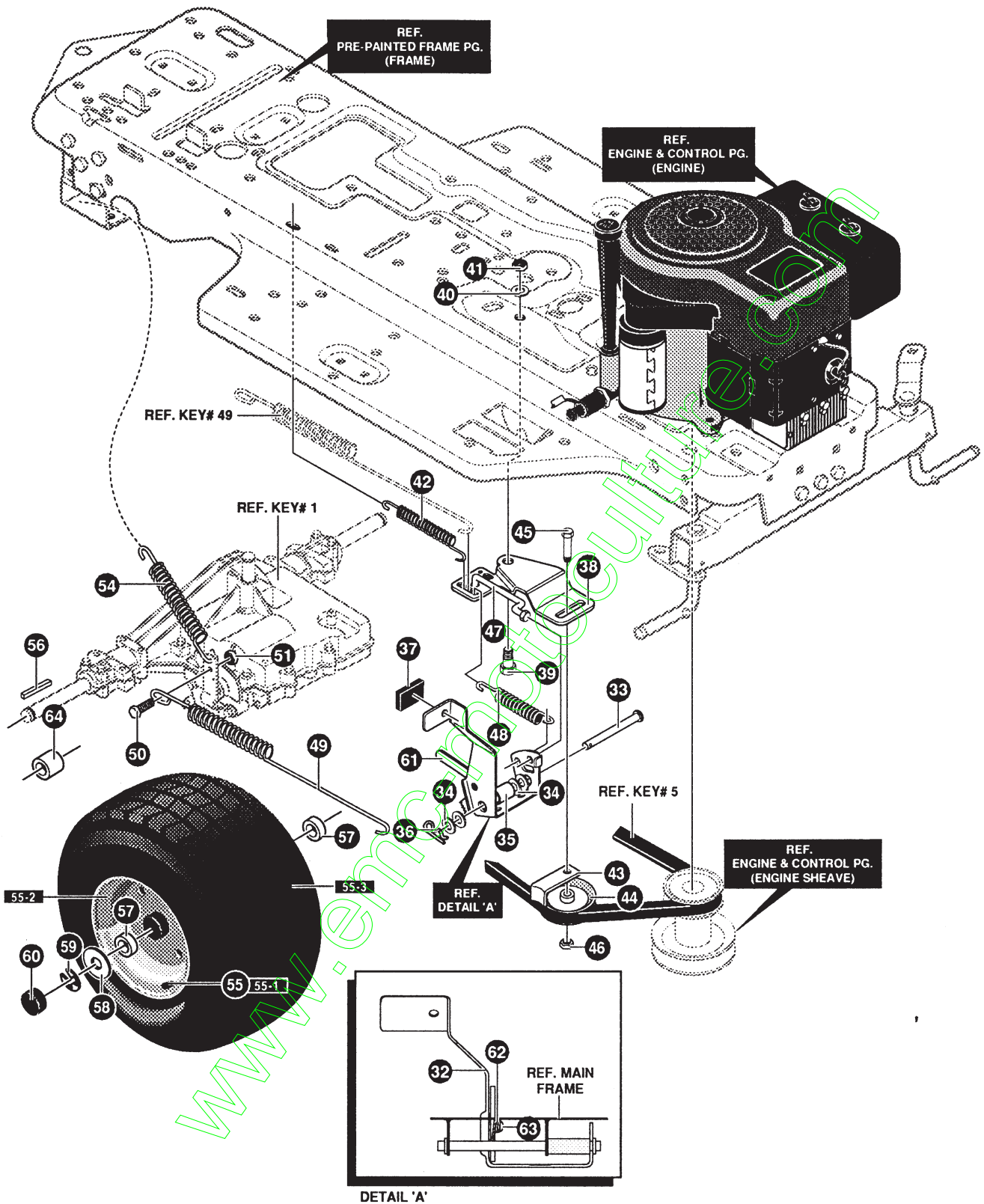
NOTE: ALWAYS USE ORIGINAL EQUIPMENT PARTS. Use of service/replacement parts other than original equipment parts may void your warranty.

ALL UNNUMBERED ITEMS ARE INTERCHANGEABLE WITH OPPOSITE SIDE

338857 A

KEY#	PART#	DESCRIPTION	QTY
1	*	TRANSAXLE, 2WS	1
2	303109	PULLEY, 6.6 OD	1
3	50795	KEY, HI-PRO	1
4	22053	RING, RETEX	1
5	338017	BELT, V 4L 85.00	1
6	180091	SCREW, 5/16-18 X 2.50	4
7	120393	WASHER, FLAT .344 X .69 X .065	4
8	1498	NUT, 5/16-18	4
9	35498	SCREW, 5/16-18 X .75	1
10	120638	WASHER, .328 X .60 X .09	1
12	324798	LEVER, SHIFT UPPER	1
13	310265	SPRING, TORSION	1
14	137185	PIN, COTTER	1
15	306690	KNOB	1
16	120238	NUT, 1/2-13	1
17	311209	COVER PLASTIC	1
18	311257-853	BRACKET COVER	1
19	1341	CLAMP, SPRING	2
20	311331	SCREW, 1/4-15 X .44/.53	4
21	304260	BALL JOINT, RH 3/8-24	1
22	57158	BALL JOINT, 3/8 THD	1
23	124925	NUT, 3/8-24	2
24	329056	SHIFT ROD	1
25	120382	WASHER, .393 X .68 X .10	1
26	120369	NUT, 3/8-24	1
27	39573	SCREW, 3/8-24 X 1.00	1
28	412349	NUT, 3/8-24	1
29	309637	BRACKET, SHIFT	1
30	57157	WASHER, .750 X .250	1
31	56255	SCREW, 1/4-28 X .75	1

* CONTACT YOUR NEAREST TRANSAXLE DEALER FOR PARTS & SERVICE

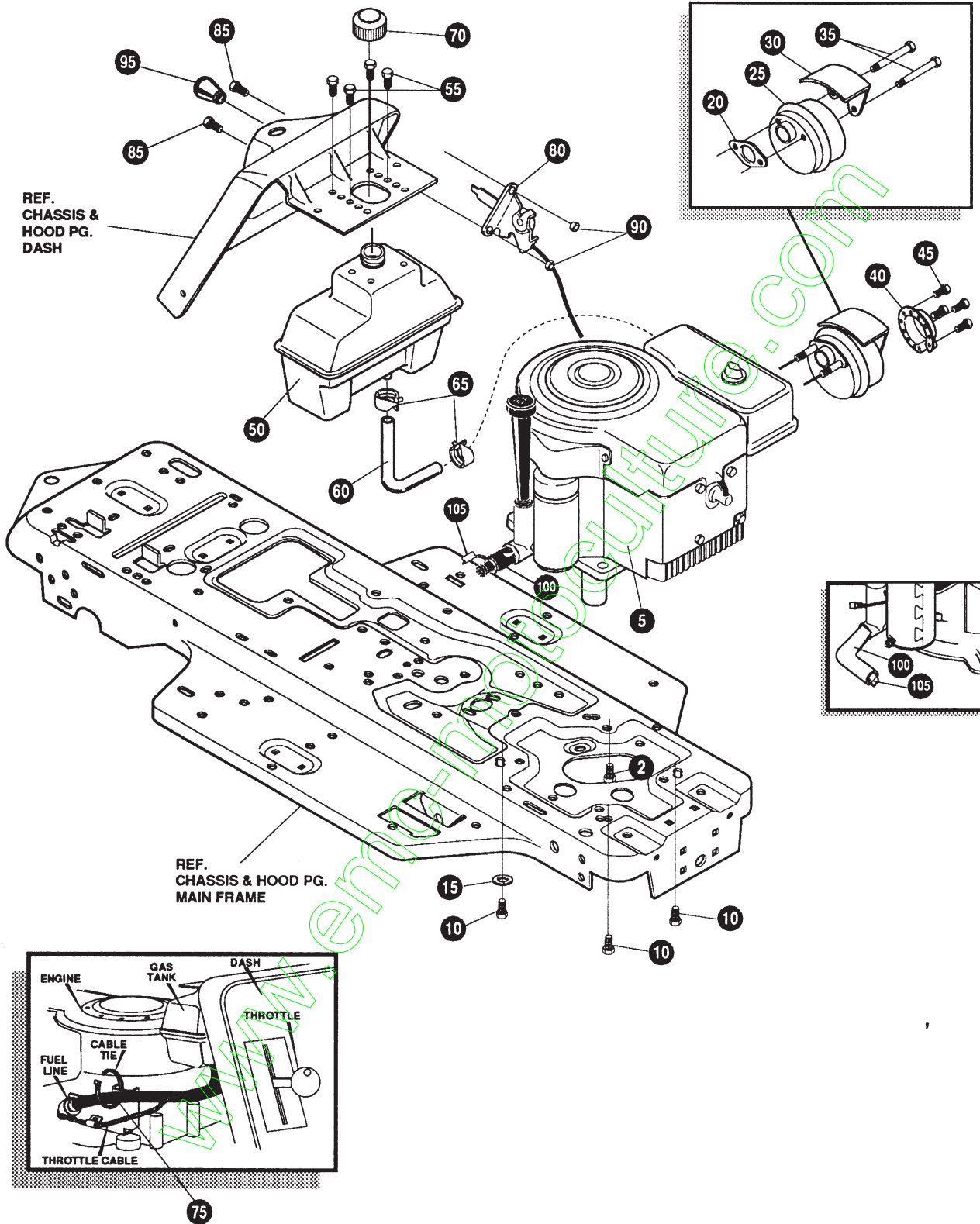


NOTE: ALWAYS USE ORIGINAL EQUIPMENT PARTS. Use of service/replacement parts other than original equipment parts may void your warranty.

ALL UNNUMBERED ITEMS ARE INTERCHANGEABLE WITH OPPOSITE SIDE

338857 A

KEY#	PART#	DESCRIPTION	QTY
32	331438-853	PEDAL, BRAKE, CLUTCH	1
33	319676	PIN, CLEVIS	1
34	2968	WASHER, FLAT .504 X .75 X .059	4
35	331972	SPACER, SLEEVE	1
36	56180	PIN, HAIR	1
37	48761	PAD, CLUTCH/BRAKE PEDAL	1
38	321969	IDLER ARM BRACKET, TRACTION	1
39	329989	BOLT, .625 X .135	1
40	45602	WASHER, FLAT .333 X .87 X .119	1
41	1498	NUT, 5/16-18	1
42	327867	SPRING, TENSION	1
43	39659	RETAINER, BELT	1
44	35374	PULLEY, IDLER V4L	1
45	45892	BOLT, 3/8-16 X 1.50	1
46	1499	NUT, 3/8-16	1
47	333175	CLUTCH ROD ASSEMBLY	1
48	326780	SPRING, TENSION	1
49	334175	SPRING, BRAKE	1
50	326131	BOLT, .495 X .31	1
51	1498	NUT, 5/16-18	1
54	35410	SPRING	1
55	338856	TIRE & RIM 18 X 6.5-8	2
55-1	338512	VALVE STEM	
55-2	338172	RIM, WHEEL	
55-3	338547	TIRE, 18 X 6.5-8	
56	52928	KEY, SQUARE	2
57	642	WASHER, FLAT .755 X 1.31 X .075	4
58	42815	WASHER, FLAT .755 X 1.53 X .07	2
59	36625	RING, RETEX	2
60	40394	HUB CAP	2
61	9016	LEVER, PARK BRAKE	1
62	57828	SPRING, PARKING BRAKE	1
63	57829	RIVET	1
64	338184	SPACER	2



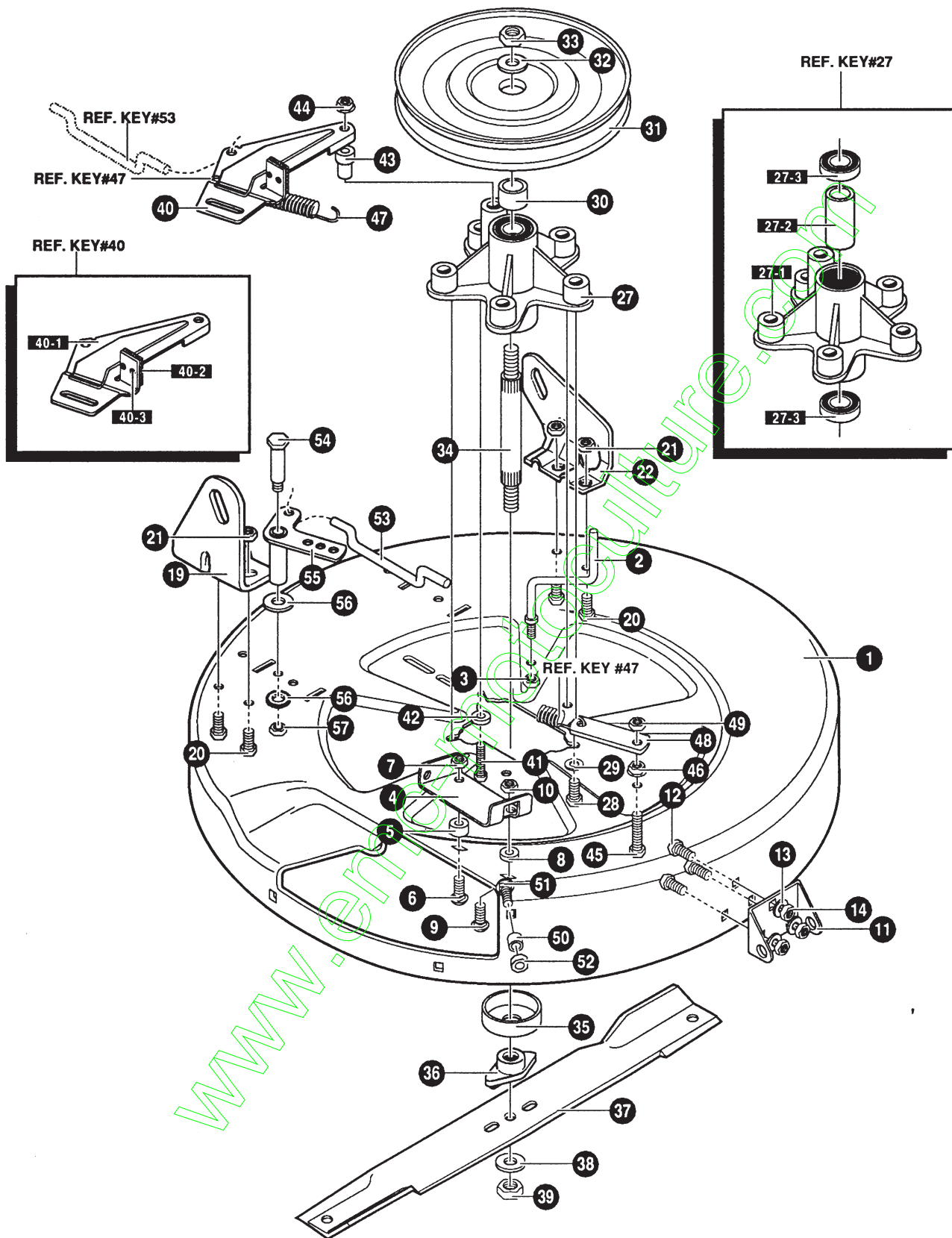
NOTE: ALWAYS USE ORIGINAL EQUIPMENT PARTS. Use of service/replacement parts other than original equipment parts may void your warranty.

ALL UNNUMBERED ITEMS ARE INTERCHANGEABLE WITH OPPOSITE SIDE

331639 B

KEY#	PART#	DESCRIPTION	QTY
5	*	ENGINE 10-12HP	1
10	50947	SCREW, 3/8-16 X 1.25	4
15	138489	WASHER, .384 X .69 X .04	1
20	46708	GASKET, MUFFLER	1
25	57908	MUFFLER	1
30	54767	SHIELD, HEAT	1
35	54980	SCREW, 5/16-18 X 3.50	2
40	56472	DEFLECTOR SIDE OUT	1
45	35287	SCREW, #8-32 X .38	4
50	314989	TANK, FUEL 1 GAL	1
55	300303	SCREW, .25 X .75 X .51	4
60	42258	TUBING, 25 X .50 X BULK GAS LINE	12.0'
65	47345	CLAMP, FUEL LINE	2
70	46704	CAP, GAS	1
75	57444	TIE, CABLE	1
80	320031	THROTTLE CONTROL	1
85	274707	SCREW, 10-24 X .50	2
90	308459	NUT, #10-24	2
95	50607	KNOB, ROUND THROTTLE	1
100		NOT REQUIRED ON THIS UNIT	
105		NOT REQUIRED ON THIS UNIT	

* SEE ENGINE MANUAL

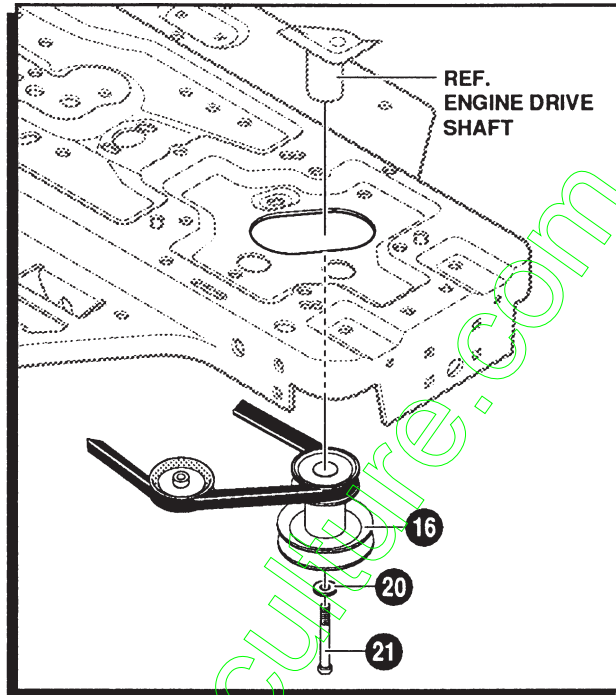


NOTE: ALWAYS USE ORIGINAL EQUIPMENT PARTS. Use of service/replacement parts other than original equipment parts may void your warranty.

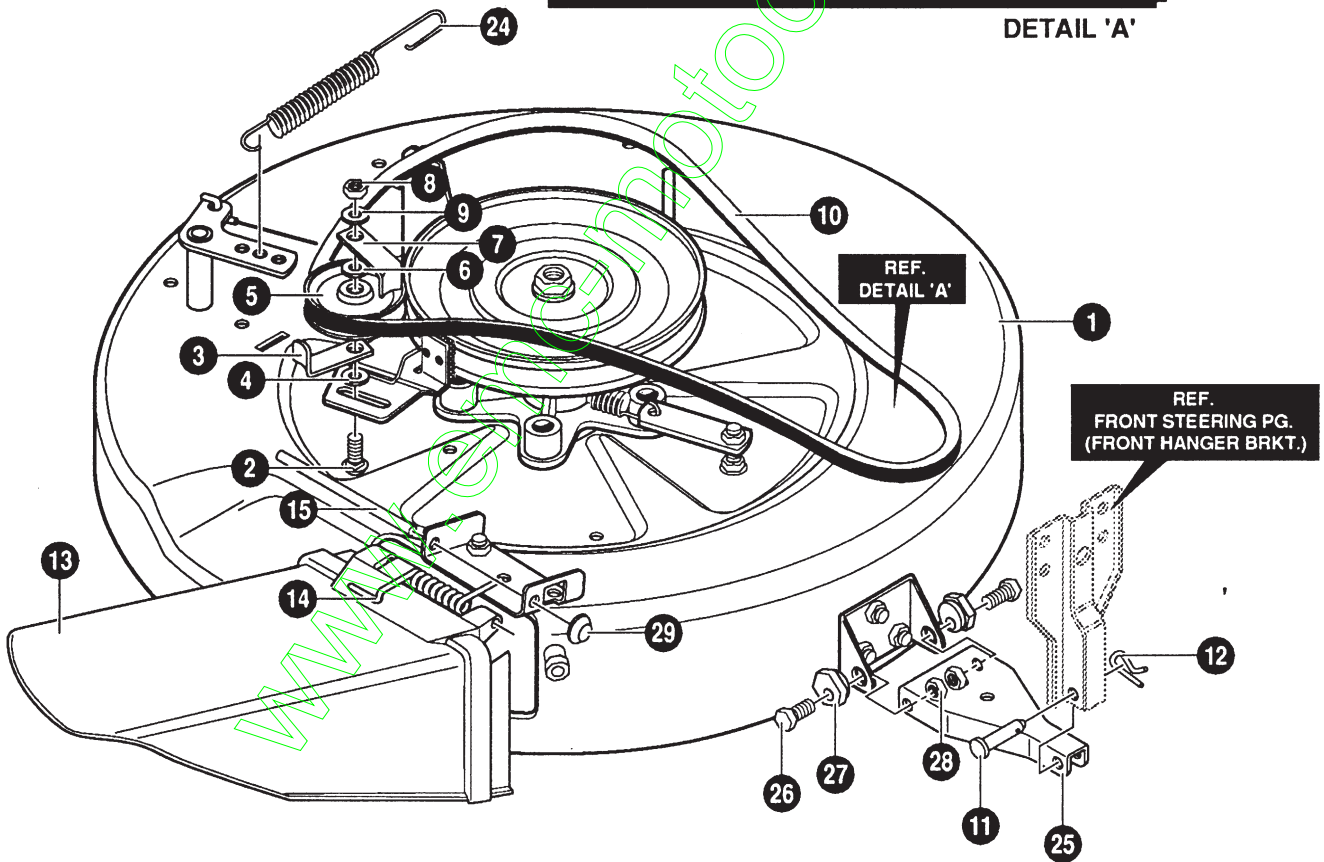
ALL UNNUMBERED ITEMS ARE INTERCHANGEABLE WITH OPPOSITE SIDE

337818 A

KEY#	PART#	DESCRIPTION	QTY
1	321982	DECK, MOWER 30"	1
2	57318	GUIDE, BELT	1
3	1498	NUT, 5/16-18	1
4	317017	BRACKET, CHUTE MOUNT	1
5	314702	SPACER, SLEEVE	1
6	120230	BOLT, 5/16-18 X 1.25	1
7	1498	NUT, 5/16-18	1
8	45602	WASHER, FLAT .333 X .87 X .119	1
9	126216	BOLT, 5/16-18 X .75	1
10	1498	NUT, 5/16-18	1
11	311237	BRACKET, MOUNTING, FRONT	1
12	57072	BOLT, 5/16-18 X .63	3
13	120393	WASHER, FLAT .344 X .69 X .065	3
14	1498	NUT, 5/16-18	3
19	337910	BRACKET, DECK LIFT, RH	1
20	180077	SCREW, 5/16-18 X .75	4
21	1498	NUT, 5/16-18	4
22	310667	BRACKET, LH, LIFT REAR	1
27	313588	ASSEMBLY, QUILL	1
27-1	314272	QUILL, MACHINED	1
27-2	314274	TUBE, SPACER	1
27-3	313576	BEARING, BALL	2
28	35498	SCREW, 5/16-18 X .75	5
29	138485	WASHER, .320 X .61 X .03	5
30	321146	SPACER, SLEEVE	1
31	314273	PULLEY ASSEMBLY	1
32	22265	WASHER, FLAT .515 X 1.38 X .119	1
33	1500	NUT, 1/2-13	1
34	321144	SHAFT, QUILL 30"	1
35	313577	SHIELD, DUST, BEARING	1
36	313584	HUB, BLADE ADAPTOR	1
37	329988	BLADE, 30"	1
38	22265	WASHER, FLAT .515 X 1.38 X .119	1
39	1500	NUT, 1/2-13	1
40	12229	BRACKET, IDLER ASSEMBLY	1
40-1	313510	BRACKET, ARM, IDLER	1
40-2	306973	BRAKE PAD	1
40-3	41601	RIVET	2
41	180113	SCREW, 5/16-18 X 3.00	1
42	45602	WASHER, FLAT .333 X .87 X .119	1
43	321145	SPACER, SLEEVE	1
44	44108	NUT, 5/16-18	1
45	180079	SCREW, 5/16-18 X 1.00	1
46	44108	NUT, 5/16-18	1
47	35410	SPRING	1
48	302357	LINK	1
49	1498	NUT, 5/16-18	1
50	50520	SPACER	1
51	126216	BOLT, 5/16-18 X .75	1
52	1498	NUT, 5/16-18	1
53	337628	ROD, IDLER PIVOT 30"	1
54	304420	BOLT, .500 X 2.15	1
55	337621	IDLER PIVOT ASSEMBLY	1
56	996416	WASHER, FLAT .391 X 1.00 X .125	2
57	1499	NUT, 3/8-16	1



DETAIL 'A'



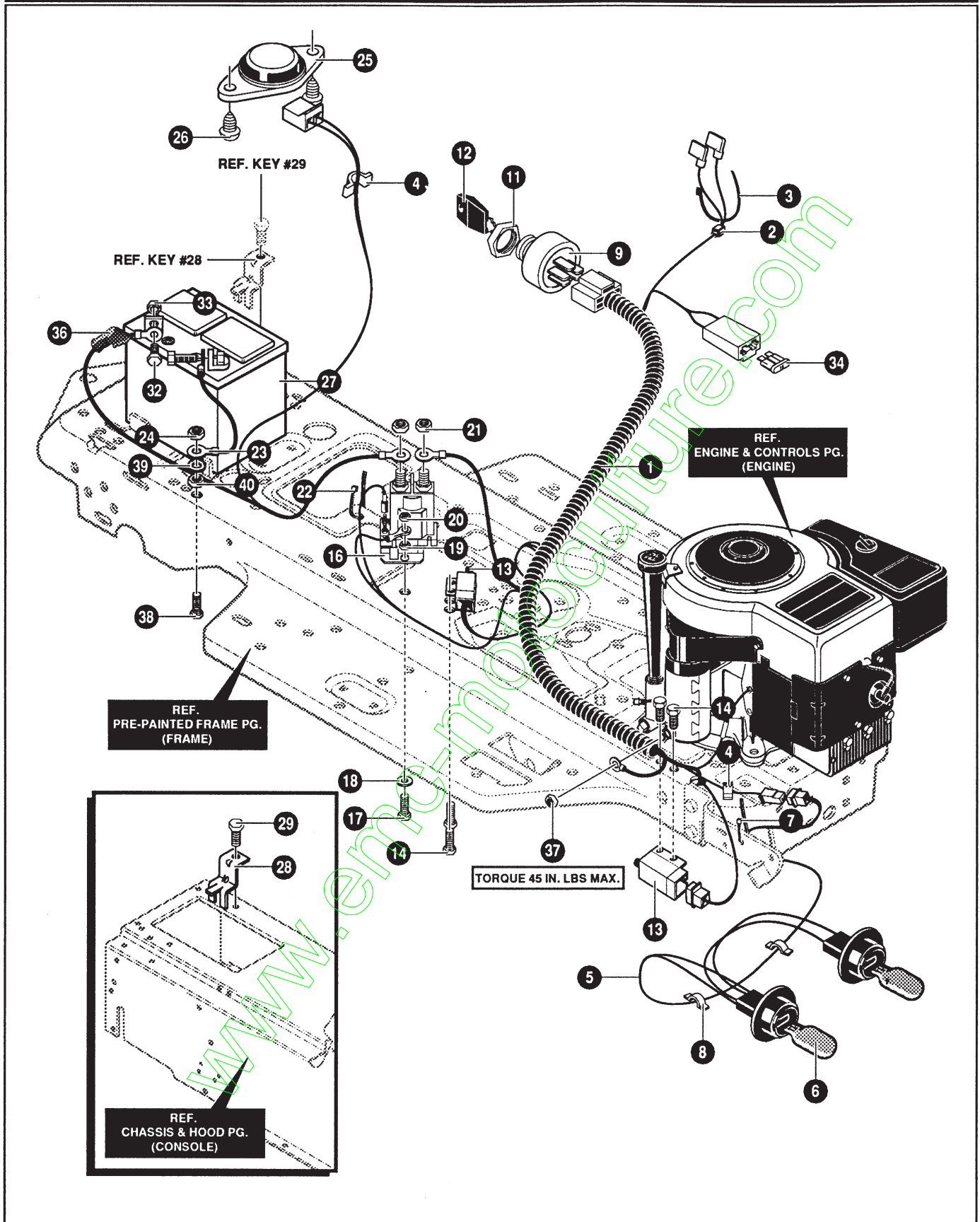
NOTE: ALWAYS USE ORIGINAL EQUIPMENT PARTS. Use of service/replacement parts other than original equipment parts may void your warranty.

ALL UNNUMBERED ITEMS ARE INTERCHANGEABLE WITH OPPOSITE SIDE

338276 B

KEY#	PART#	DESCRIPTION	QTY
1	*	DECK, 30"SUS	1
2	57325	BOLT, 3/8-16 X 2.00	1
3	39659	RETAINER, BELT	1
4	22265	WASHER, FLAT .515 X 1.38 X .119	1
5	45074	PULLEY, IDLER V4L	1
6	25210	WASHER, FLAT .386 X 1.25 X .09	1
7	39659	RETAINER, BELT	1
8	1499	NUT, 3/8-16	1
10	321147	BELT, V 4L 54.0	1
11	47817	PIN, CLEVIS LONG	1
12	56180	PIN, HAIR	1
13	315314	CHUTE DEFLECTOR	1
14	314975	SPRING, TORSION CHUTE DEFLECTOR	1
15	304424	ROD, PIVOT DECK	1
16	328035	PULLEY, ENGINE	1
20	120383	WASHER, .459 X .78 X .12	1
21	182764	SCREW, 7/16-20 X 3.25	1
24	338333	SPRING, TENSION	1
25	311236-853	BRACKET, BAR, TOW, FRONT	1
26	180079	SCREW, 5/16-18 X 1.00	2
27	58247	NUT, ADJUST	2
28	1498	NUT, 5/16-18	2

* REFERENCE ONLY



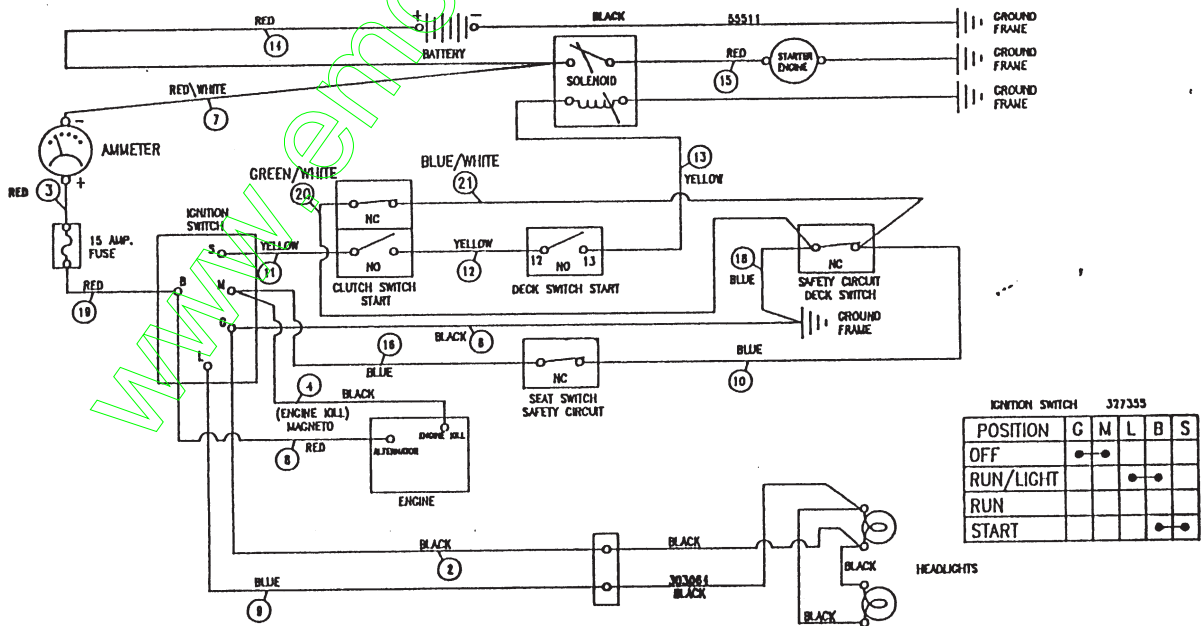
NOTE: ALWAYS USE ORIGINAL EQUIPMENT PARTS. Use of service/replacement parts other than original equipment parts may void your warranty.

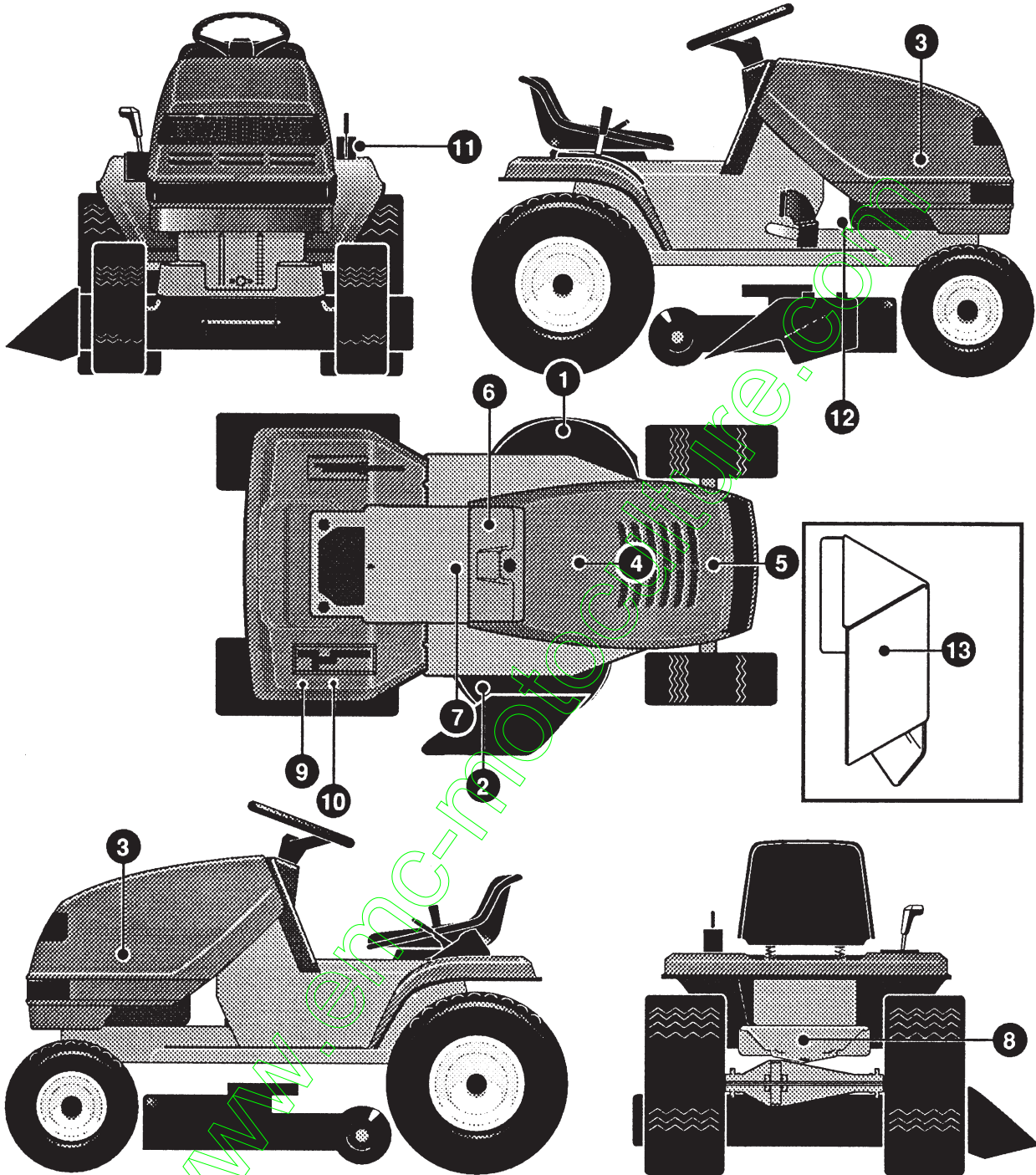
ALL UNNUMBERED ITEMS ARE INTERCHANGEABLE WITH OPPOSITE SIDE

331995 C

KEY#	PART#	DESCRIPTION	QTY
1	331453	WIRE HARNESS	1
2	322298	SPLICER.....	1
3	57444	TIE, CABLE	1
4	41482	PRESS CLIP	2
5	303064	ASSEMBLY, LIGHT WIRE	1
6	52572	BULB, HEADLAMP	2
7	57444	TIE, CABLE	1
8	41482	PRESS CLIP	2
9	327354	SWITCH, IGNITION & LIGHTS	1
11	327352	NUT, 5/8-8	1
12	327350	KEY, IGNITION	1
13	57476	SWITCH, SCREW MOUNT	2
14	300302	SCREW, #10 X .50	4
16	53716	SOLENOID	1
17	187745	SCREW, 1/4-20 X .75	2
18	1084	WASHER, FLAT .281 X 1.00 X .063	1
19	1502	NUT, 1/4-20	2
20	271172	NUT, 1/4-20	1
21	271187	NUT, 5/16-24	2
22	57444	TIE, CABLE	1
23	55511	WIRE, GROUND, 12.5"	1
24	271184	NUT, 5/16-18	1
25	57547	SWITCH, SEAT	1
26	160505	SCREW, 1/4-20 X .38	2
27	302257	BATTERY, 12V	1
28	329175	BATTERY BRACKET	1
29	995346	SCREW, 1/4-20 X .50	1
32	180020	SCREW, 1/4-20 X .75	2
33	271172	NUT, 1/4-20	2
34	302031	FUSE (INCLUDED IN WIRE HARNESS)	
36	308201	INSULATOR, BATTERY BOOT	1
37	124818	NUT, 1/4-20	1
38	180079	SCREW, 5/16-18 X 1.00	1
39	138485	WASHER, .320 X .61 X .03	1
40	1498	NUT, 5/16-18	1

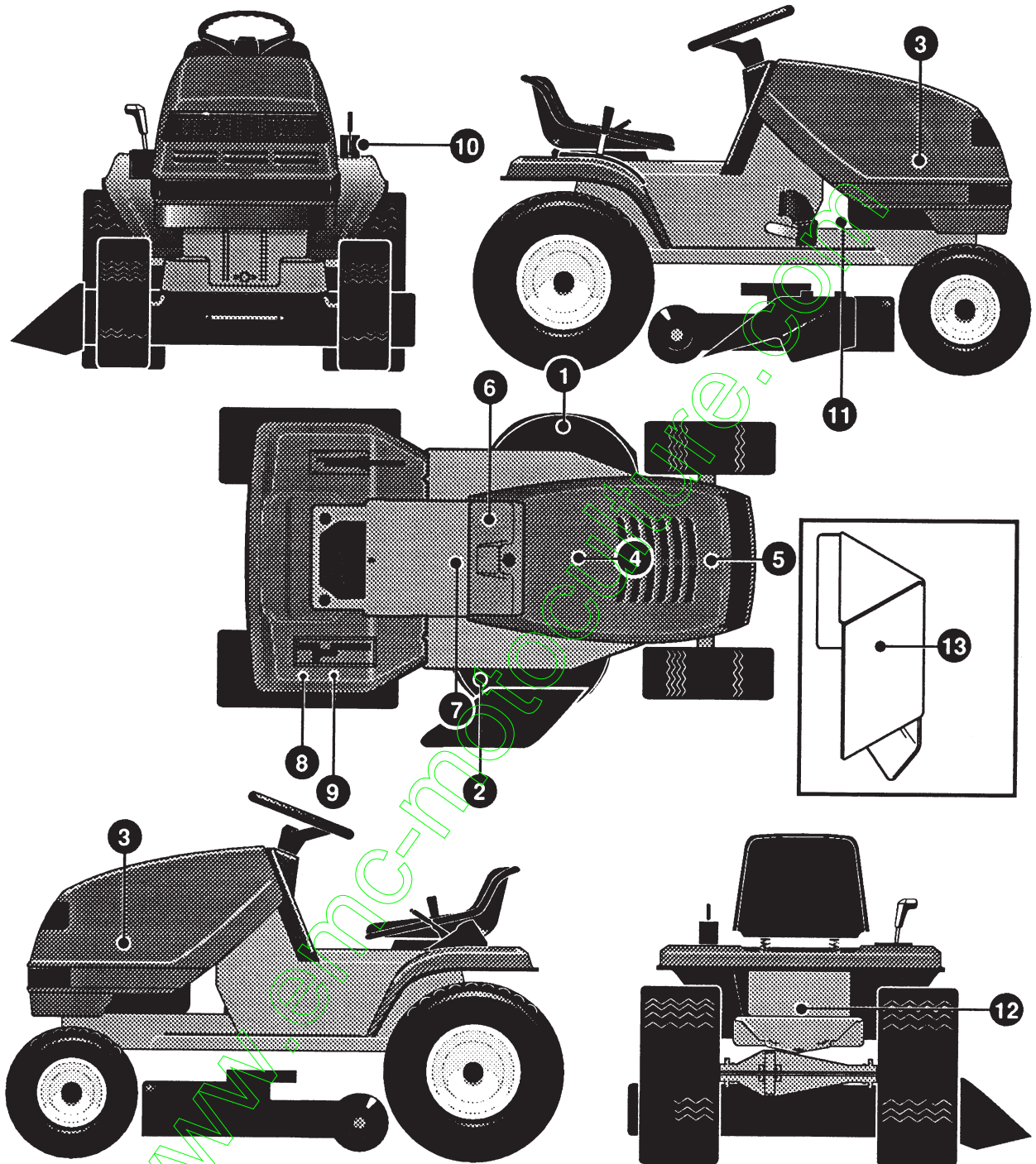
SCHEMATIC DRAWING





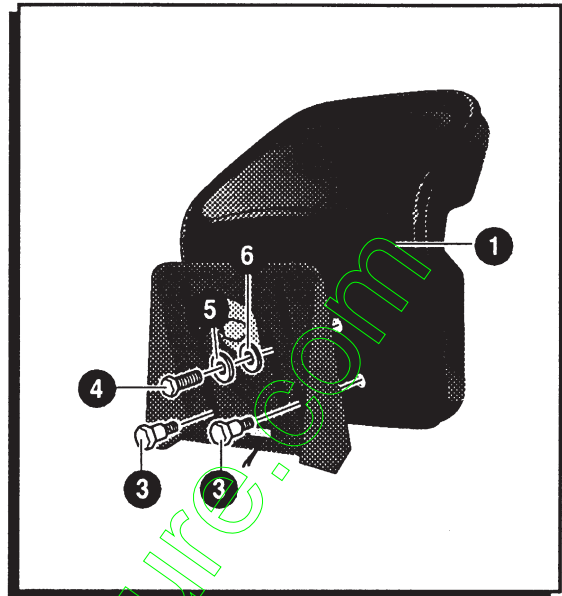
KEY#	PART#	DESCRIPTION	QTY
1	402700	DECAL, CAUTION DEC. LH	1
2	402701	DECAL, CAUTION DECK, RH, CUT HAND	1
3	305603	PAD, 18 X 6 FOAM HOOD	2
4	307276	PAD, 15 X 7 FOAM HOOD	1
5	307277	PAD, 12 X 4 FOAM HOOD	1
6	324989	DECAL, DASH, DUAL	1
7	338540	DECAL, CONS CAUTION	1
8	338542	DECAL, DRAWBAR WARNING.....	1
9	311394	DECAL, SHIFT REV/NEUTRAL.....	1
10	331013	DECAL, SHIFTER POSITION	1
11	402214	DECAL, HEIGHT ADJUST	1
12	402702	DECAL, BRAKE/CLUTCH	1
13	338543	DECAL, HOT SURFACE WARNING.....	1

338700 B

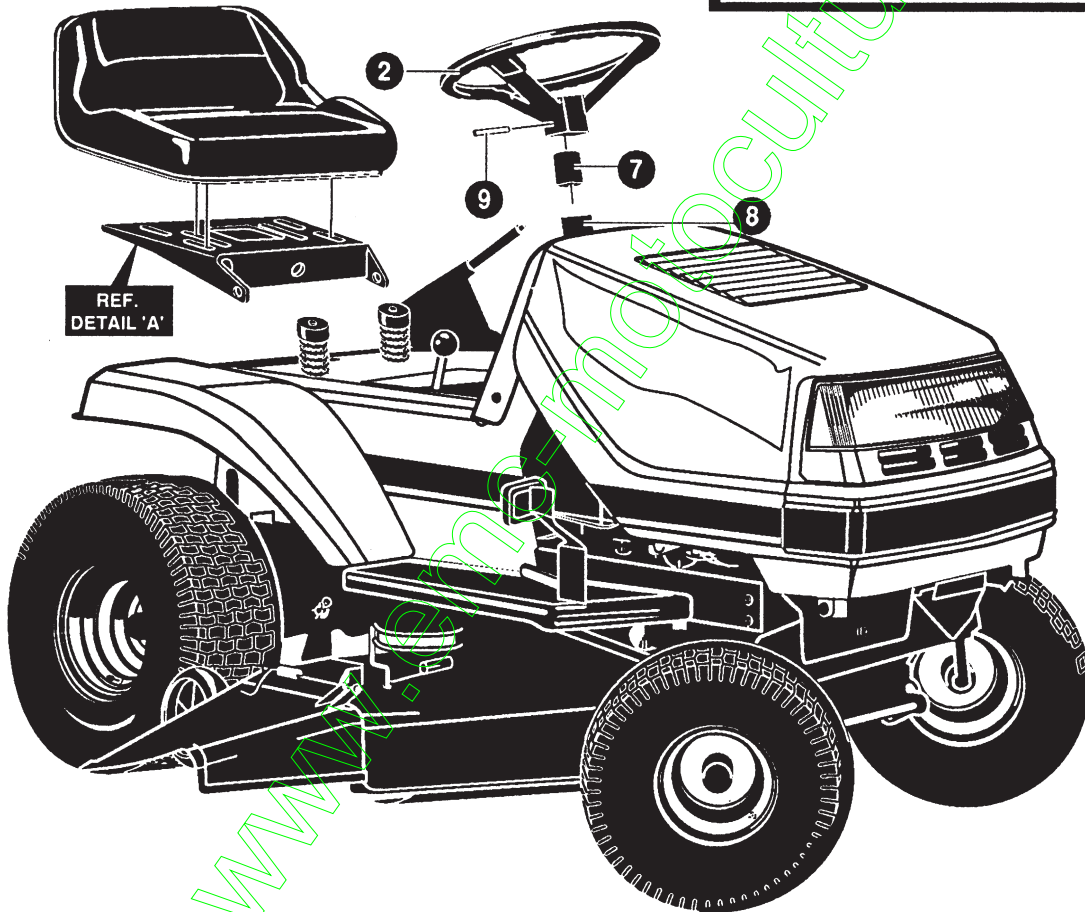


KEY#	PART#	DESCRIPTION	QTY
1	402700	DECAL, CAUTION DECK, LH.....	1
2	402701	DECAL, CAUTION DECK, RH, CUT HAND	1
3	305603	PAD, 18 X 6 FOAM HOOD	2
4	307276	PAD, 15 X 7 FOAM HOOD	1
5	307277	PAD, 12 X 4 FOAM HOOD	1
6	326587	DECA, DASH.....	1
7	338540	DECAL, CONS CAUTION	1
8	311394	DECAL, SHIFT REV/NEUTRAL.....	1
9	331013	DECAL, SHIFTER POSITION	1
10	402214	DECAL, HEIGHT ADJUST	1
11	402702	DECAL, BRAKE/CLUTCH	1
12	338542	DECAL, DRAWBAR WARNING.....	1
13	338543	DECAL, HOT SURFACE WARNING	1

335400 C



DETAIL 'A'

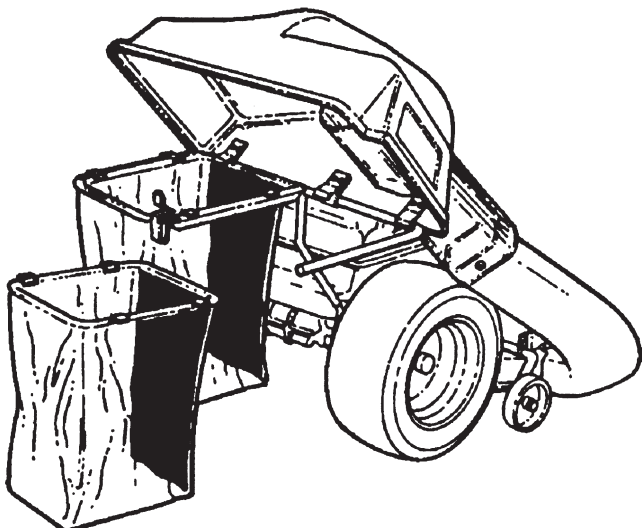


KEY#	PART#	DESCRIPTION	QTY
1	331524	SEAT	1
2	330510	STEERING WHEEL	1
3	331637	BOLT, .500 X .10	2
4	180077	SCREW, 5/16-18 X .75	1
5	120393	WASHER, FLAT .344 X .69 X .065	1
6	120638	WASHER, .328 X .60 X .09	1
7	331322	COVER, STEERING SHAFT	1
8	301413	SPACER, STEERING SHAFT	1
9	456378	PIN, SPRING	1

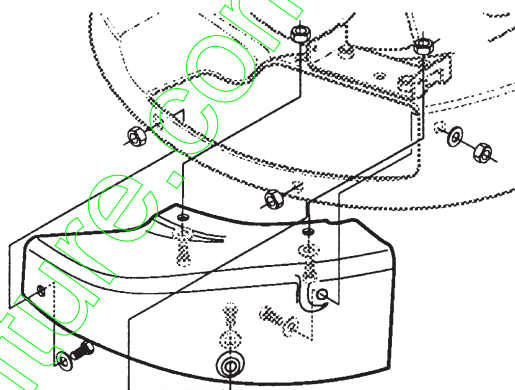
338476 B

Contact the dealer where your tractor was purchased for the available accessories. If you are unable to contact the dealer, write to the address on the warranty page of the Operator's manual

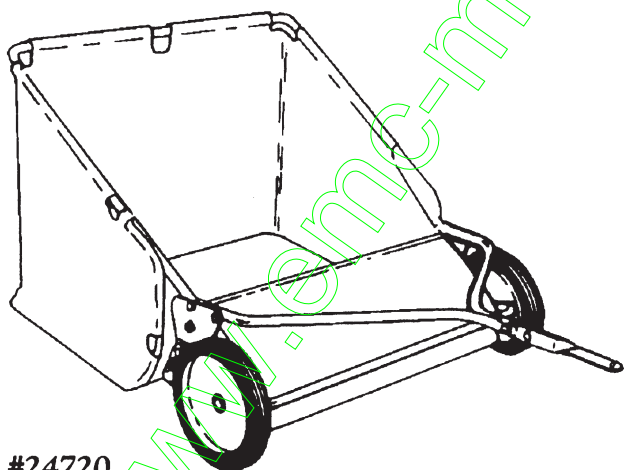
30" Standard Lawn Rider



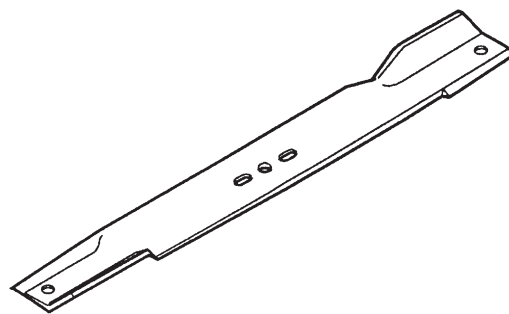
Model #57082200
Grass Collector (30" decks)



Model# 57140000
Mulching Kit (30" Deck)



Model #24720
Tow Behind Lawn Sweeper for Grass and Leaves



314275 -30" Standard Lift Blade

OTHER ACCESSORIES

Model	Description
57090200	Front Weight Box - holds 35 lbs.
322397	30" Mulching blade