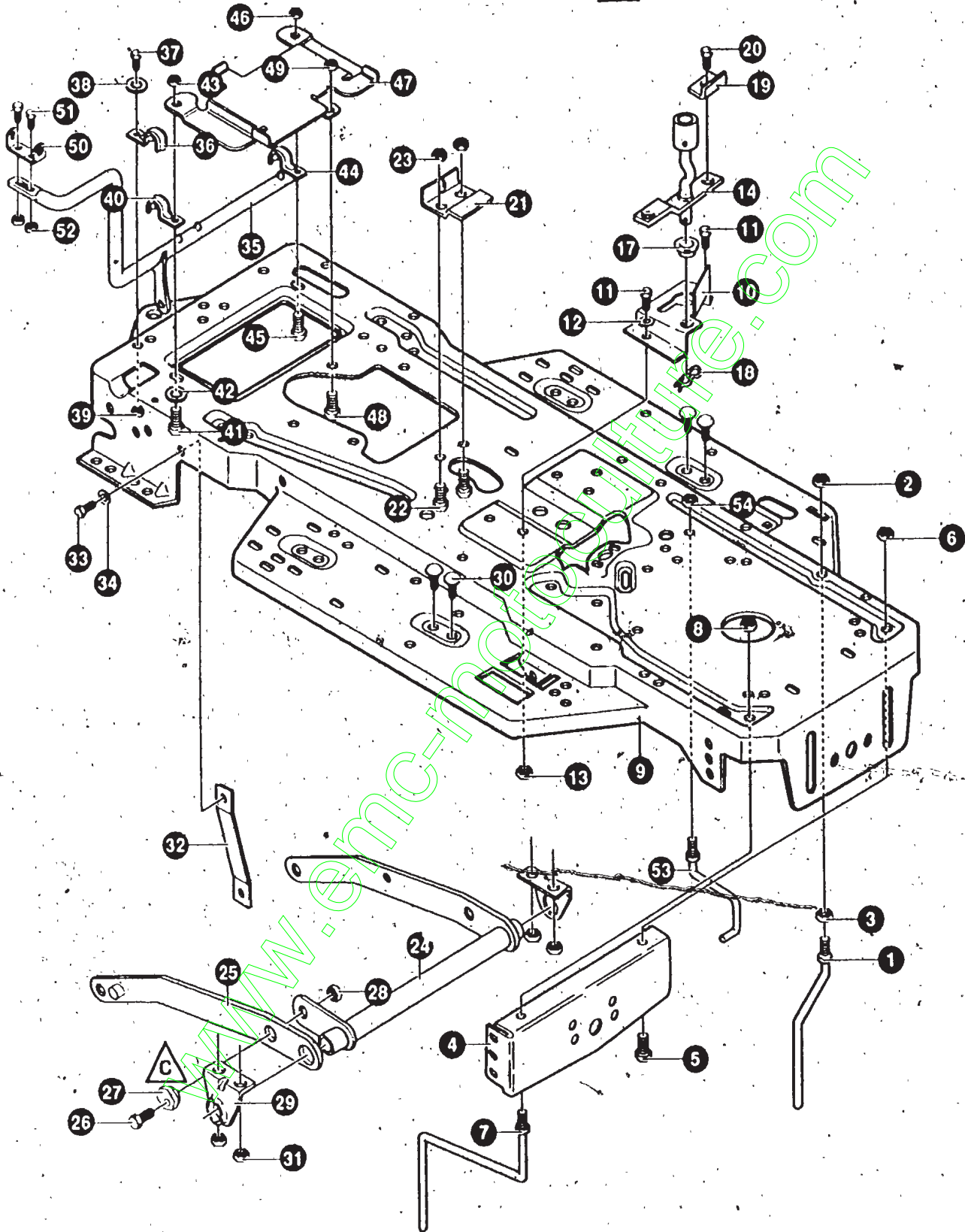


**C** Symbol denotes critical assembly points.



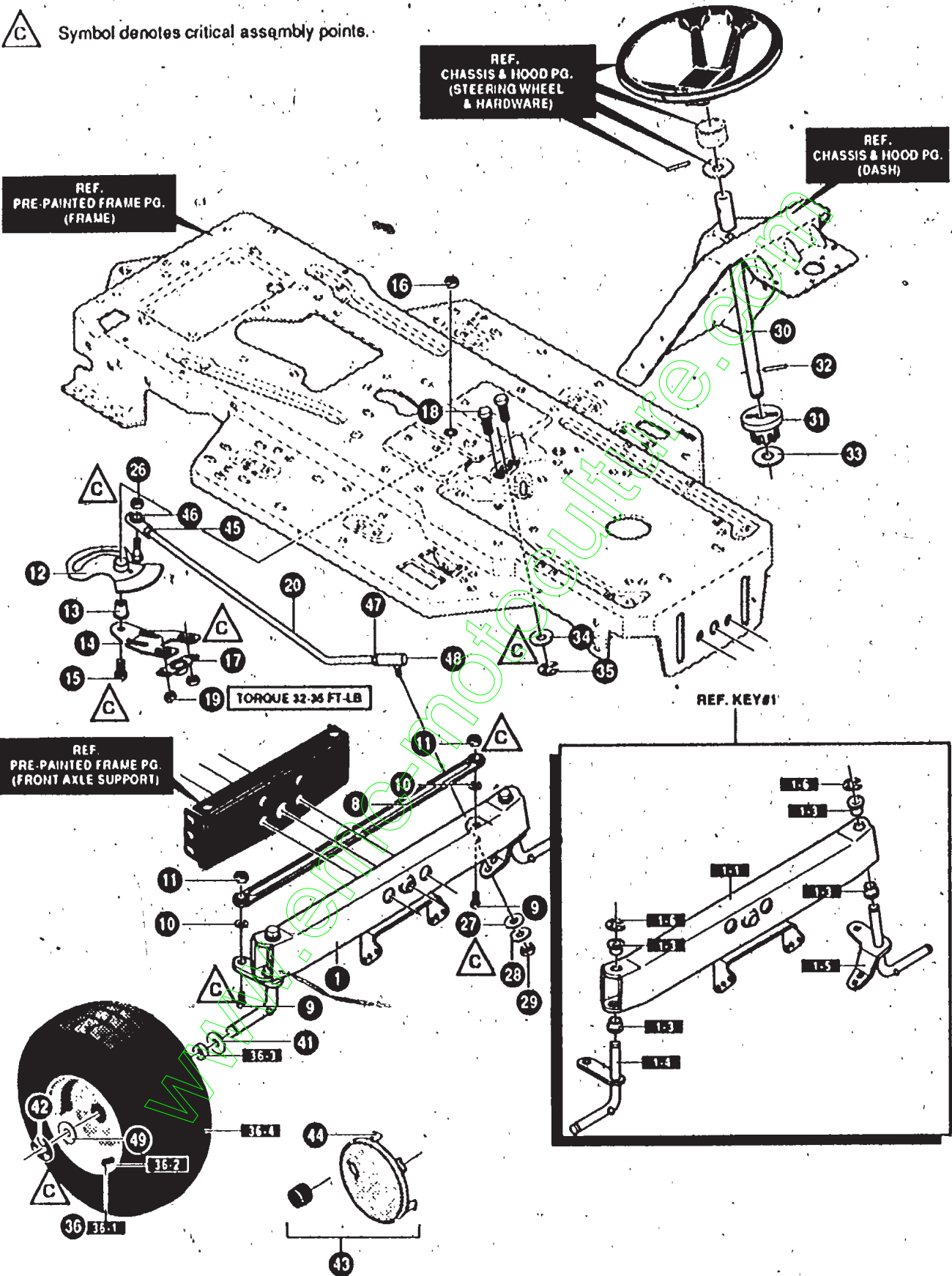
**NOTE: ALWAYS USE ORIGINAL EQUIPMENT PARTS.** Use of service/replacement parts other than original equipment parts may void your warranty.

**ALL UNNUMBERED ITEMS ARE INTERCHANGEABLE WITH OPPOSITE SIDE**

338035 A

KEY#	PART#	DESCRIPTION	QTY
1	327376	GUIDE,BELT .....	1
2	124824	NUT, 5/16-18 .....	1
3	271190	NUT, 3/8-16 .....	1
4	313541	BRACKET, FRONT AXLE .....	1
5	56030	SCREW, 5/16-18 X .75 .....	1
6	55273	NUT, 5/16-18 .....	1
7	300440	GUIDE, BELT .....	1
8	1498	NUT, 5/16-18 .....	1
9	335697-853	FRAME, MAIN .....	1
10	320075	BRACKET, CLUTCH-ENGAGE LEVER .....	1
11	180079	SCREW, 5/16-18 X 1.00 .....	2
12	120393	WASHER, FLAT .344 X .69 X .065 .....	2
13	1498	NUT, 5/16-18 .....	2
14	338048	ASSEMBLY, CLUTCH LEVER LOWER .....	1
17	50148	BEARING, FLANGE .....	1
18	8260	PIN, HAIR .....	1
19	9400	BRACKET, SWITCH ENGAGE .....	1
20	35498	SCREW, 5/16-18 X .75 .....	1
21	300698	BRACKET FRAME CABLE .....	1
22	180020	SCREW, 1/4-20 X .75 .....	2
23	1502	NUT, 1/4-20 .....	2
24	300158	LIFT ASSEMBLY, LH .....	1
25	300169	LIFT ASSEMBLY, RH .....	1
26	180079	SCREW, 5/16-18 X 1.00 .....	1
27	58247	NUT, ADJUST .....	1
28	1498	NUT, 5/16-18 .....	1
29	58248	BRACKET, REAR HANG .....	2
30	57072	BOLT, 5/16-18 X .63 .....	4
31	1498	NUT, 5/16-18 .....	4
32	333959	BRACKET, STABILIZER .....	1
33	35498	SCREW, 5/16-18 X .75 .....	1
34	120638	WASHER, .328 X .60 X .09 .....	1
35	336646	LEVER, SHIFT-LOWER ASSEMBLY .....	1
36	310347	CLIP, SHIFT LEVER .....	1
37	180077	SCREW, 5/16-18 X .75 .....	1
38	996416	WASHER, FLAT .391 X 1.00 X .125 .....	1
39	1498	NUT, 5/16-18 .....	1
40	310347	CLIP, SHIFT LEVER .....	1
41	180077	SCREW, 5/16-18 X .75 .....	1
42	120393	WASHER, FLAT .344 X .69 X .065 .....	1
43	1498	NUT, 5/16-18 .....	1
44	310347	CLIP, SHIFT LEVER .....	1
45	180077	SCREW, 5/16-18 X .75 .....	1
46	1498	NUT, 5/16-18 .....	1
47	335242	SHELF - BATTERY .....	1
48	180020	SCREW, 1/4-20 X .75 .....	1
49	1502	NUT, 1/4-20 .....	1
50	310356	BRACKET, PIVOT SHIFT LEVER .....	1
51	180020	SCREW, 1/4-20 X .75 .....	2
52	1502	NUT, 1/4-20 .....	2
53	304016	GUIDE, BELT RH .....	1
54	1498	NUT, 5/16-18 .....	1

**C** Symbol denotes critical assembly points.



**NOTE: ALWAYS USE ORIGINAL EQUIPMENT PARTS. Use of service/replacement parts other than original equipment parts may void your warranty.**

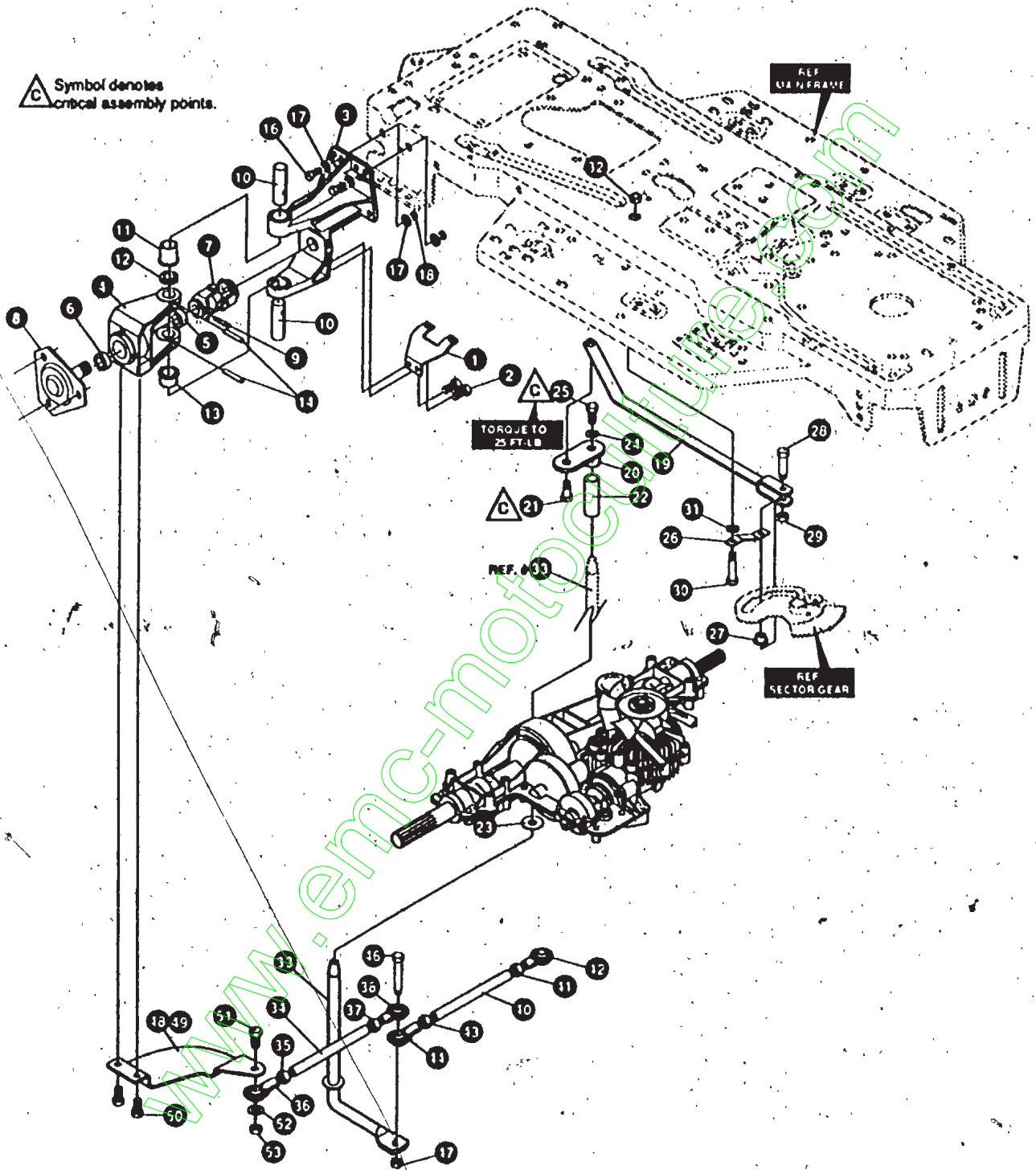
**ALL UNNUMBERED ITEMS ARE INTERCHANGEABLE WITH OPPOSITE SIDE**

338219 C

KEY#	PART#	DESCRIPTION	QTY
1	*	AXLE, FRONT ASSEMBLY .....	1
1-1	300272	ASSEMBLY, FRONT AXLE SUSPENDED .....	1
1-3	52407	SPINDLE BEARING .....	1
1-4	338472	ASSEMBLY, SPINDLE, RH .....	1
1-5	338470	ASSEMBLY, SPINDLE, LH .....	1
1-6	36625	RING, RETEX .....	2
8	304590	TIE ROD ASSEMBLY .....	1
9	180128	SCREW, 3/8-16 X 1.75 .....	2
10	120382	WASHER, .393 X .68 X .10 .....	2
11	1499	NUT, 3/8-16 .....	2
12	326889	ASSEMBLY, SECTOR GEAR .....	1
13	313629	BEARING, SLEEVE .....	1
14	313671-853	SUPPORT, SECTOR GEAR .....	1
15	315196	SCREW, 1/2-20 X 3.00 .....	1
16	274654	NUT, 1/2-20 .....	1
17	302498	BEARING .....	1
18	323731	SCREW, 5/16-24 X .75 .....	2
19	71100	NUT, 5/16-24 .....	2
20	321449	DRAG LINK .....	1
26	1499	NUT, 3/8-16 .....	1
27	120396	WASHER, FLAT .531 X 1.06 X .095 .....	1
28	120383	WASHER, .459 X .78 X .12 .....	1
29	271506	NUT, 7/16-20 .....	1
30	332530	SHAFT, STEERING .....	1
31	302314	PINION, STEERING .....	1
32	302524	PIN, DOWEL STEER .....	1
33	315194	WASHER, FLAT .51 X 1.38 X .043 .....	1
34	996418	WASHER, FLAT .506 X .75 X .024 .....	1
35	20864	RING, RET E .....	1
36	692639	TIRE & RIM ASSEMBLY, 15 X 6.0 X 6 .....	2
36-1	338512	VALVE STEM	
36-2	338517	RIM, WHEEL	
36-3	338513	BEARING	
36-4	338515	TIRE, 15 X 6-6	
41	642	WASHER, FLAT .755 X 1.31 X .075 .....	2
42	36625	RING, RETEX .....	2
43	40394	HUB CAP .....	2
44		NOT REQUIRED ON THIS UNIT	
45	124925	NUT, 3/8-24 .....	1
46	304260	BALL JOINT, RH 3/8-24 .....	1
47	272123	NUT, 7/16-20 .....	1
48	302865	BALL JOINT 7/16-20 .....	1
49	42815	WASHER, FLAT .755 X 1.53 X .07 .....	2

\* ORDER INDIVIDUAL PARTS - ASSEMBLY NOT AVAILABLE

 Symbol denotes critical assembly points.

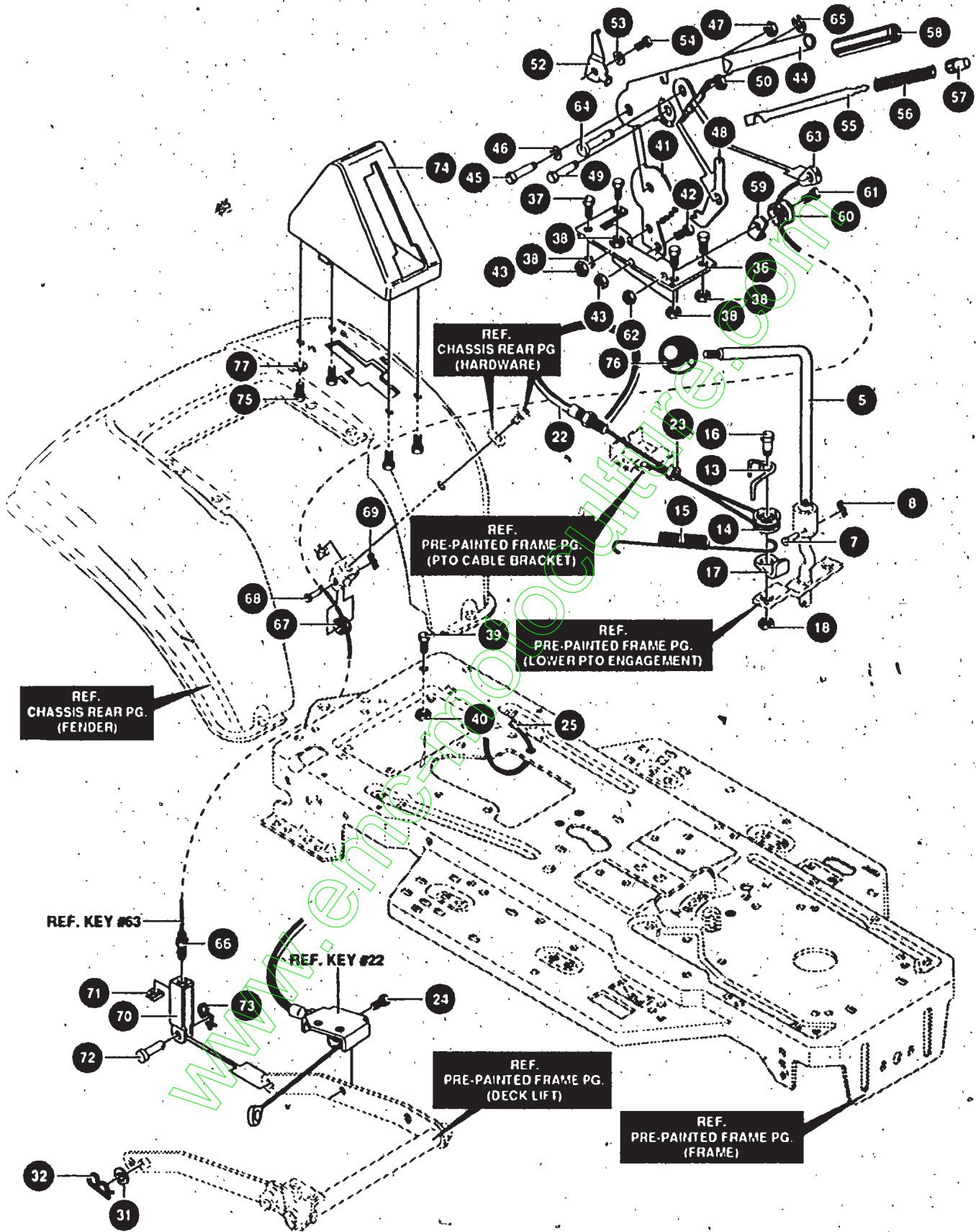


**NOTE: ALWAYS USE ORIGINAL EQUIPMENT PARTS.** Use of service/replacement parts other than original equipment parts may void your warranty.

**ALL UNNUMBERED ITEMS ARE INTERCHANGEABLE WITH OPPOSITE SIDE**

334507 D

KEY#	PART#	DESCRIPTION	QTY
1	313645-853	BRACKET X-AXLE MOUNTING .....	2
2	35498	SCREW, 5/16-18 X .75 .....	4
3	314267	BRACKET, STEERING PIVOT .....	2
4	315267	BRACKET, STEER PIVOT .....	2
5	12325	BEARING, BALL .....	2
6	315268	BEARING, BALL .....	2
7	320531	U-JOINT/ASSEMBLY W/ZERK .....	2
8	315264-853	HUB ASSEMBLY HEAVY .....	2
9	36311	PIN, GROOVED .....	2
10	12289	PIN, STEERING HINGE .....	4
11	324578	BEARING, FLSH .....	2
12	21682	WASHER, FLAT .765 X 1.25 X .042 .....	2
13	324578	BEARING, FLSH .....	2
14	456722	PIN, SPRING .....	4
16	180079	SCREW, 5/16-18 X 1.00 .....	8
17	120393	WASHER, FLAT .344 X .69 X .065 .....	16
18	1498	NUT, 5/16-18 .....	8
19	336148	BAR, DRAGLINK .....	1
20	308719	PIVOT, STEERING .....	1
21	12319	BOLT, .562 X .340 .....	1
22	304115	SPACER, STEERING SHAFT .....	1
23	25177	WASHER, FLAT .765 X 1.19 X .048 .....	1
24	45602	WASHER, FLAT .333 X .87 X .119 .....	1
25	421051	SCREW, 5/16-24 X 1.00 .....	1
26	302594	FOLLOWER, ROLLER .....	1
27	304116	CAM YOKE ROLLER .....	1
28	304122	BOLT, .625 X 1.175 .....	1
29	274654	NUT, 1/2-20 .....	1
30	324638	BOLT, .265 X .980 .....	1
31	996307	WASHER, FLAT .391 X 1.00 X .209 .....	1
32	412349	NUT, 3/8-24 .....	1
33	308720	SHAFT, STEERING PIVOT .....	1
34	308447	ROD, TIE .....	1
35	308399	NUT, 3/8-24 LH THD .....	1
36	308384	BALL JOINT LH 3/8-24 .....	1
37	124925	NUT, 3/8-24 .....	1
38	304260	BALL JOINT, RH 3/8-24 .....	1
40	308446	ROD, TIE .....	1
41	308399	NUT, 3/8-24 LH THD .....	1
42	308384	BALL JOINT LH 3/8-24 .....	1
43	124925	NUT, 3/8-24 .....	1
44	304260	BALL JOINT, RH 3/8-24 .....	1
46	181646	SCREW, 3/8-24 X 1.75 .....	1
47	412349	NUT, 3/8-24 .....	1
48	304120-853	ARM, REAR WHEEL STEER .....	1
49	304121-853	ARM, REAR WHEEL STEER LH .....	1
50	47792	SCREW, 3/8-16 X 1.00 .....	4
51	181639	SCREW, 3/8-24 X 1.25 .....	2
52	120382	WASHER, .393 X .68 X .10 .....	2
53	412349	NUT, 3/8-24 .....	2



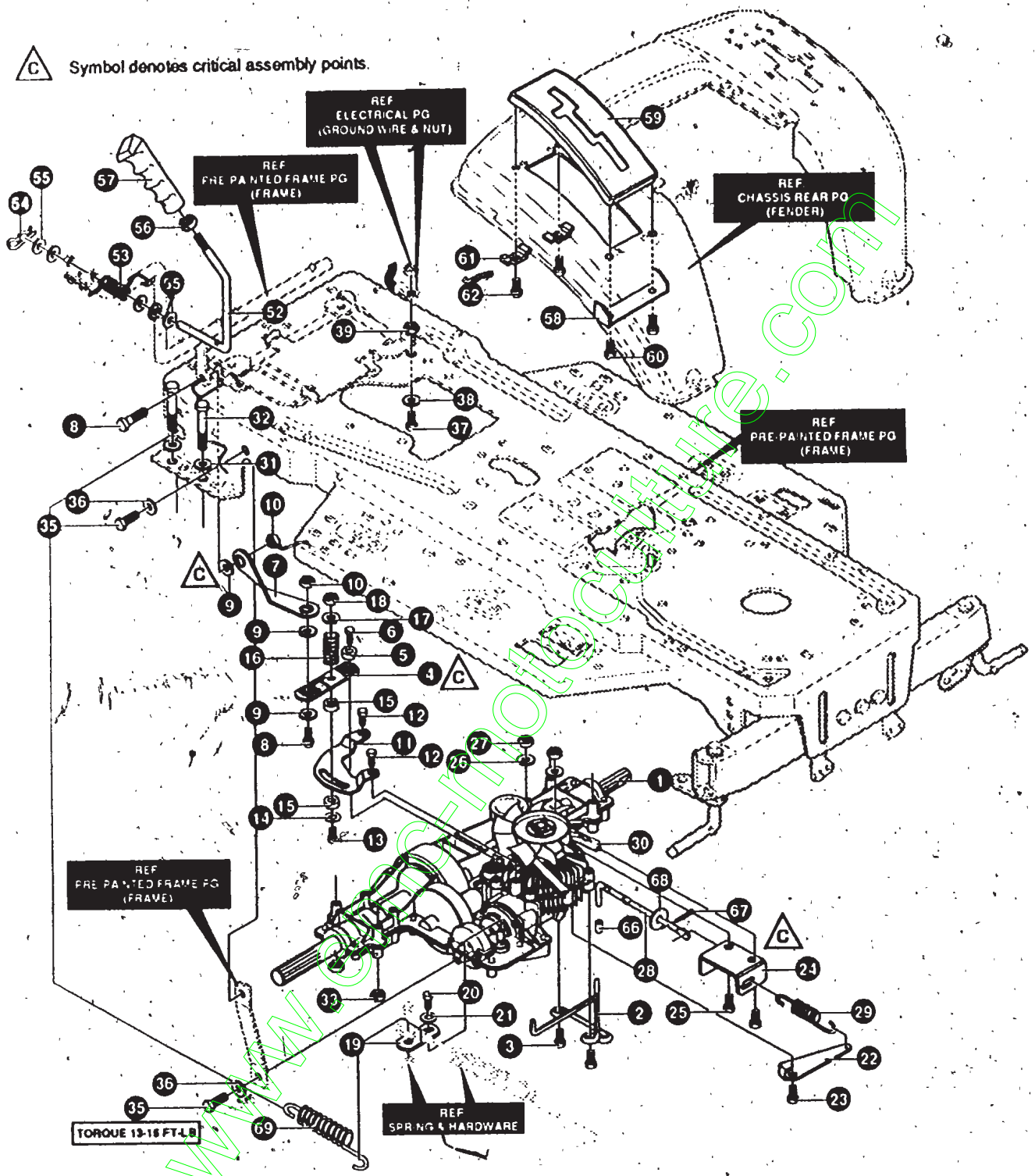
**NOTE: ALWAYS USE ORIGINAL EQUIPMENT PARTS.** Use of service/replacement parts other than original equipment parts may void your warranty.

**ALL UNNUMBERED ITEMS ARE INTERCHANGEABLE WITH OPPOSITE SIDE**

KEY#	PART#	DESCRIPTION	QTY
5	338049	LEVER, PTO UPPER .....	1
7	304877	PIN, CLEVIS .25D X 1.094 .....	1
8	36368	PIN, HAIR .....	1
13	324032	SPRING, CABLE KEEPER .....	1
14	48306	PULLEY, METAL .....	1
15	316648	SPRING .....	1
16	324045	BOLT, .375 X .565 .....	1
17	1288	BRACKET, CABLE RETAINER .....	1
18	1502	NUT, 1/4-20 .....	1
22	324055	ASSEMBLY, CABLE PTO ENGAGE .....	1
23	120613	NUT, 1/4-28 .....	1
24	335639	SCREW, 5/16-18 X .62 .....	1
25	57444	TIE, CABLE .....	1
31	417098	WASHER, FLAT .531 X 1.06 X .063 .....	2
32	8260	PIN, HAIR .....	2
36	313926	BRACKET, HEIGHT ADJUST .....	1
37	180077	SCREW, 5/16-18 X .75 .....	4
38	1498	NUT, 5/16-18 .....	4
39	180077	SCREW, 5/16-18 X .75 .....	1
40	1498	NUT, 5/16-18 .....	1
41	301238	QUADRANT, HEIGHT ADJUST .....	1
42	180077	SCREW, 5/16-18 X .75 .....	2
43	1498	NUT, 5/16-18 .....	2
44	322292-853	HANDLE, LIFT SHORT .....	1
45	300171	BOLT, .500 X .270 .....	1
46	996418	WASHER, FLAT .506 X .75 X .024 .....	1
47	44108	NUT, 5/16-18 .....	1
48	301239	PAWL, SQUARE .....	1
49	300171	BOLT, .500 X .270 .....	1
50	44108	NUT, 5/16-18 .....	1
52	9435	POINTER, HEIGHT ADJUST .....	1
53	138479	WASHER, .195 X .41 X .03 .....	1
54	35287	SCREW, #8-32 X .38 .....	1
55	303027	ROD, ACTUATOR-SHORT .....	1
56	58326	SPRING, HEIGHT ADJUST .....	1
57	58325	KNOB, HEIGHT ADJUST .....	1
58	58329	GRIP, W/ HOLE BLACK .....	1
59	9149	BRACKET, CABLE RETAINER .....	1
60	48306	PULLEY, METAL .....	1
61	58336	BOLT, .375 X .375 .....	1
62	1502	NUT, 1/4-20 .....	1
63	314177	ASSEMBLY, CABLE LIFT .....	1
64	300310	PIN, CLEVIS .....	1
65	300311	RING, RET E .....	1
66	120375	NUT, 1/4-20 .....	1
67	48306	PULLEY, METAL .....	1
68	300317	PIN, CLEVIS .....	1
69	8260	PIN, HAIR .....	1
70	9405	CLEVIS, LIFT CABLE .....	1
71	120372	NUT, 1/4-20 .....	1
72	39522	PIN, CLEVIS .....	1
73	121222	PIN, COTTER .....	1
74	333903	LIFT COVER .....	1
75	300340	SCREW, #10 X .75 .....	3
76	321837	KNOB .....	1
77	120392	WASHER, FLAT .281 X .63 X .065 .....	1



 Symbol denotes critical assembly points.



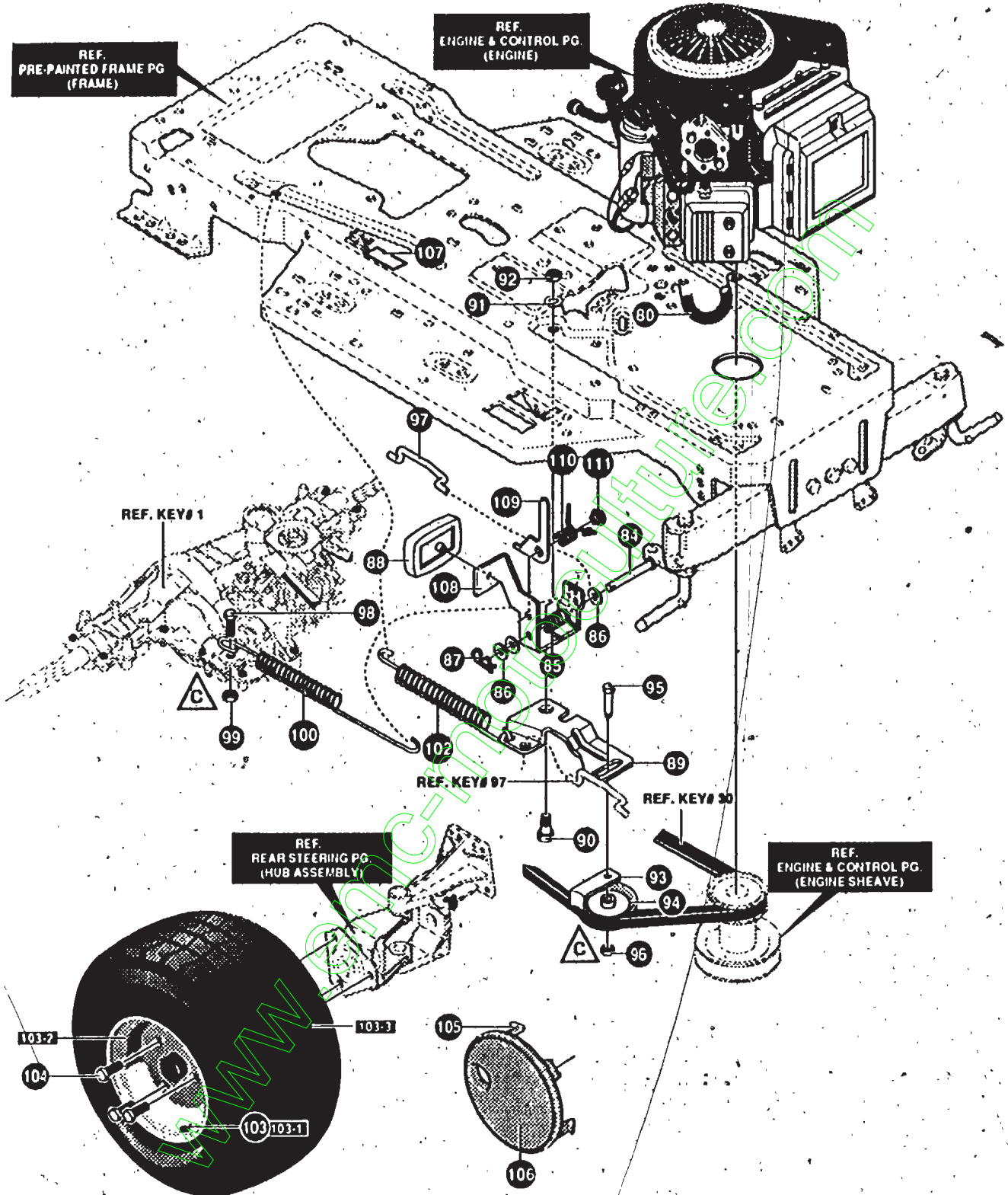
**NOTE: ALWAYS USE ORIGINAL EQUIPMENT PARTS. Use of service/replacement parts other than original equipment parts may void your warranty.**

**ALL UNNUMBERED ITEMS ARE INTERCHANGEABLE WITH OPPOSITE SIDE**

338243 C

KEY#	PART#	DESCRIPTION	QTY
1	*	TRANSAXLE, HYDRO, 4WS .....	1
2	334330	BELT GUIDE .....	1
3	35498	SCREW, 5/16-18 X .75 .....	1
4	334051	LEVER, TRANSAXLE SHIFT .....	1
5	57157	WASHER, .750 X .250 .....	1
6	56255	SCREW, 1/4-28 X .75 .....	1
7	333926	LINK, SHIFT .....	1
8	180124	SCREW, 3/8-16 X 1.25 .....	2
9	120394	WASHER, FLAT .406 X .81 X .065 .....	3
10	1499	NUT, 3/8-16 .....	2
11	334016-853	QUADRANT, SPEED CONTROL .....	1
12	44811	SCREW, 1/4-20 X .75 .....	2
13	180130	SCREW, 3/8-16 X 2.00 .....	1
14	845	WASHER, FLAT .390 X 1.25 X .119 .....	1
15	314944	WASHER, FRICTION .....	2
16	335689	SPRING .....	1
17	120394	WASHER, FLAT .406 X .81 X .065 .....	1
18	1499	NUT, 3/8-16 .....	1
19	321845	BRACKET, LEVER .....	1
20	56255	SCREW, 1/4-28 X .75 .....	1
21	57157	WASHER, .750 X .250 .....	1
22	334122-853	LEVER, DUMP VALVE .....	1
23	334126	BOLT, .437 X .136 .....	1
24	334123-853	BRACKET, DUMP VALVE .....	1
25	180134	SCREW, 3/8-16 X 2.50 .....	2
26	120394	WASHER, FLAT .406 X .81 X .065 .....	2
27	1499	NUT, 3/8-16 .....	2
28	334124	ROD, DUMP VALVE .....	1
29	326780	SPRING, TENSION .....	1
30	335708	BELT, V 4L .....	1
31	120393	WASHER, FLAT .344 X .69 X .065 .....	8
32	180113	SCREW, 5/16-18 X 3.00 .....	4
33	1498	NUT, 5/16-18 .....	4
35	35498	SCREW, 5/16-18 X .75 .....	2
36	120638	WASHER, .328 X .60 X .09 .....	2
37	180077	SCREW, 5/16-18 X .75 .....	1
38	138538	WASHER, .320 X .61 X .03 .....	1
39	1498	NUT, 5/16-18 .....	1
52	318452	LEVER, SHIFT UPPER .....	1
53	318451	SPRING, TORSION .....	1
54	8260	PIN, HAIR .....	1
55	2968	WASHER, FLAT .504 X .75 X .059 .....	5
56	120238	NUT, 1/2-13 .....	1
57	306690	HANDLE 1/2-13 .....	1
58	311257-853	BRACKET COVER .....	1
59	314244	COVER, PLASTIC .....	1
60	311331	SCREW, 1/4-15 X .44/.53 .....	2
61	1341	CLAMP, SPRING .....	2
62	311331	SCREW, 1/4-15 X .44/.53 .....	2
66	335980	CAP, DUMP VALVE .....	1
67	121222	PIN, COTTER .....	1
68	120393	WASHER, FLAT .344 X .69 X .065 .....	1
69	334382	SPRING .....	1

\* CONTACT YOUR NEAREST TRANSAXLE DEALER FOR PARTS & SERVICE



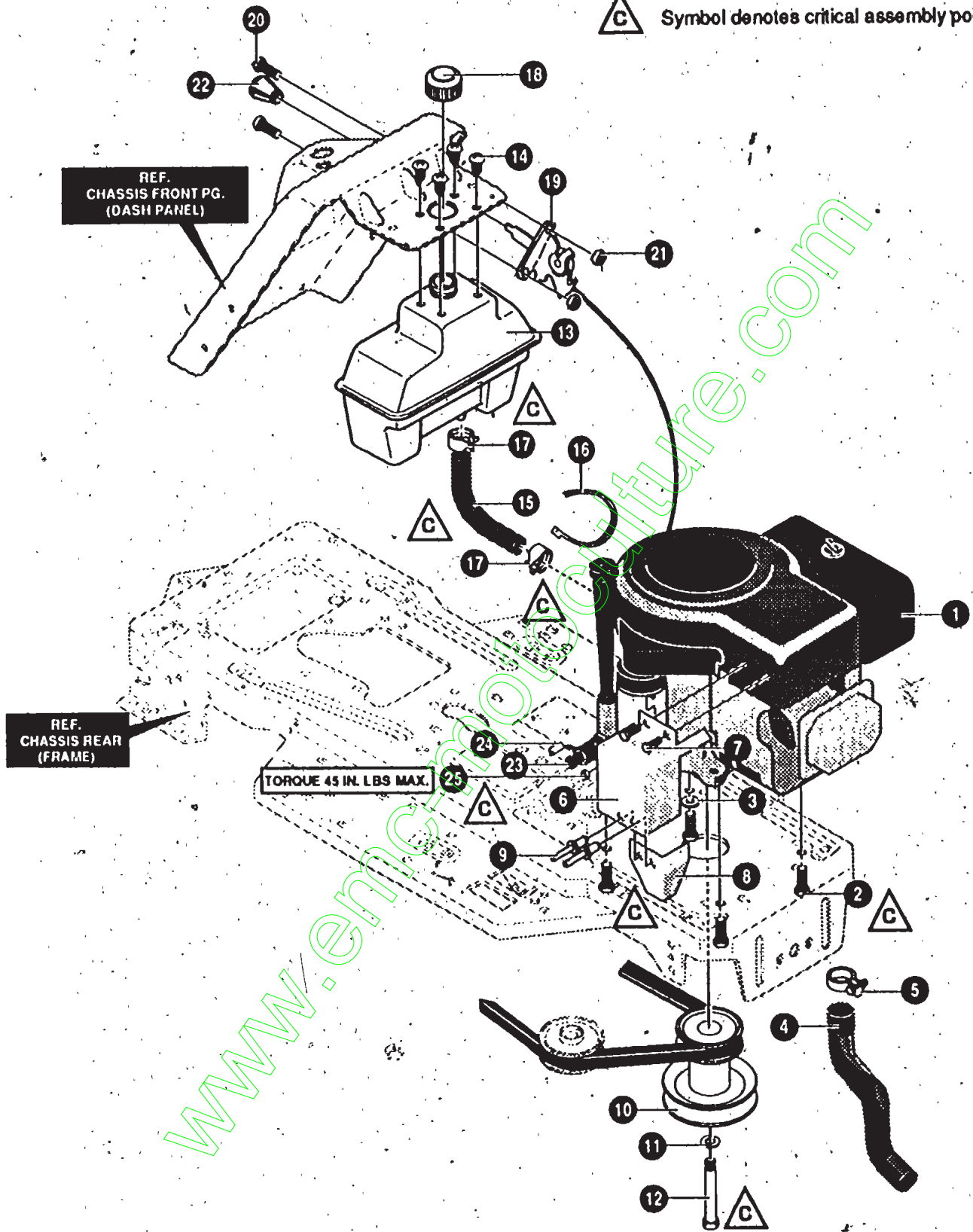
**NOTE: ALWAYS USE ORIGINAL EQUIPMENT PARTS.** Use of service/replacement parts other than original equipment parts may void your warranty.

**ALL UNNUMBERED ITEMS ARE INTERCHANGEABLE WITH OPPOSITE SIDE**

338243 C

KEY#	PART#	DESCRIPTION	QTY
80	321514	SPRING, DRAG LINK .....	1
84	319675	PIN, CLEVIS .....	1
85	57847	SPRING, BRAKE PEDAL .....	1
86	2968	WASHER, FLAT .504 X .75 X .059 .....	3
87	56180	PIN, HAIR .....	1
88	48160	PAD, CLUTCH BRAKE W/PRINTING .....	1
89	335656	ARM, IDLER TRACTION .....	1
90	329989	BOLT, .625 X .135 .....	1
91	45602	WASHER, FLAT .333 X .87 X .119 .....	1
92	1498	NUT, 5/16-18 .....	1
93	39659	RETAINER, BELT .....	1
94	35374	PULLEY, IDLER .....	1
95	45892	BOLT, 3/8-16 X 1.50 .....	1
96	1499	NUT, 3/8-16 .....	1
97	57204	ROD, CLUTCH .....	1
98	326131	BOLT, .495 X .31 .....	1
99	1498	NUT, 5/16-18 .....	1
100	334175	SPRING, BRAKE .....	1
102	325123	SPRING, CLUTCH .....	1
103	692290	TIRE & RIM, 20" .....	2
103-1	338512	VALVE STEM	
103-2	338524	RIM, WHEEL	
103-3	338526	TIRE, 20"	
104	181683	SCREW, 1/2-20 X .50 .....	6
105		NOT REQUIRED ON THIS UNIT	
106		NOT REQUIRED ON THIS UNIT	
107	313039	DECAL, 4WS PATENT .....	1
108	325941-853	PEDAL CL/BRAKE .....	1
109	9016	LEVER, PARK BRAKE .....	1
110	57828	SPRING, PARKING BRAKE .....	1
111	57829	RIVET .....	1

**C** Symbol denotes critical assembly points.



**NOTE: ALWAYS USE ORIGINAL EQUIPMENT PARTS.** Use of service/replacement parts other than original equipment parts may void your warranty.

**ALL UNNUMBERED ITEMS ARE INTERCHANGEABLE WITH OPPOSITE SIDE**

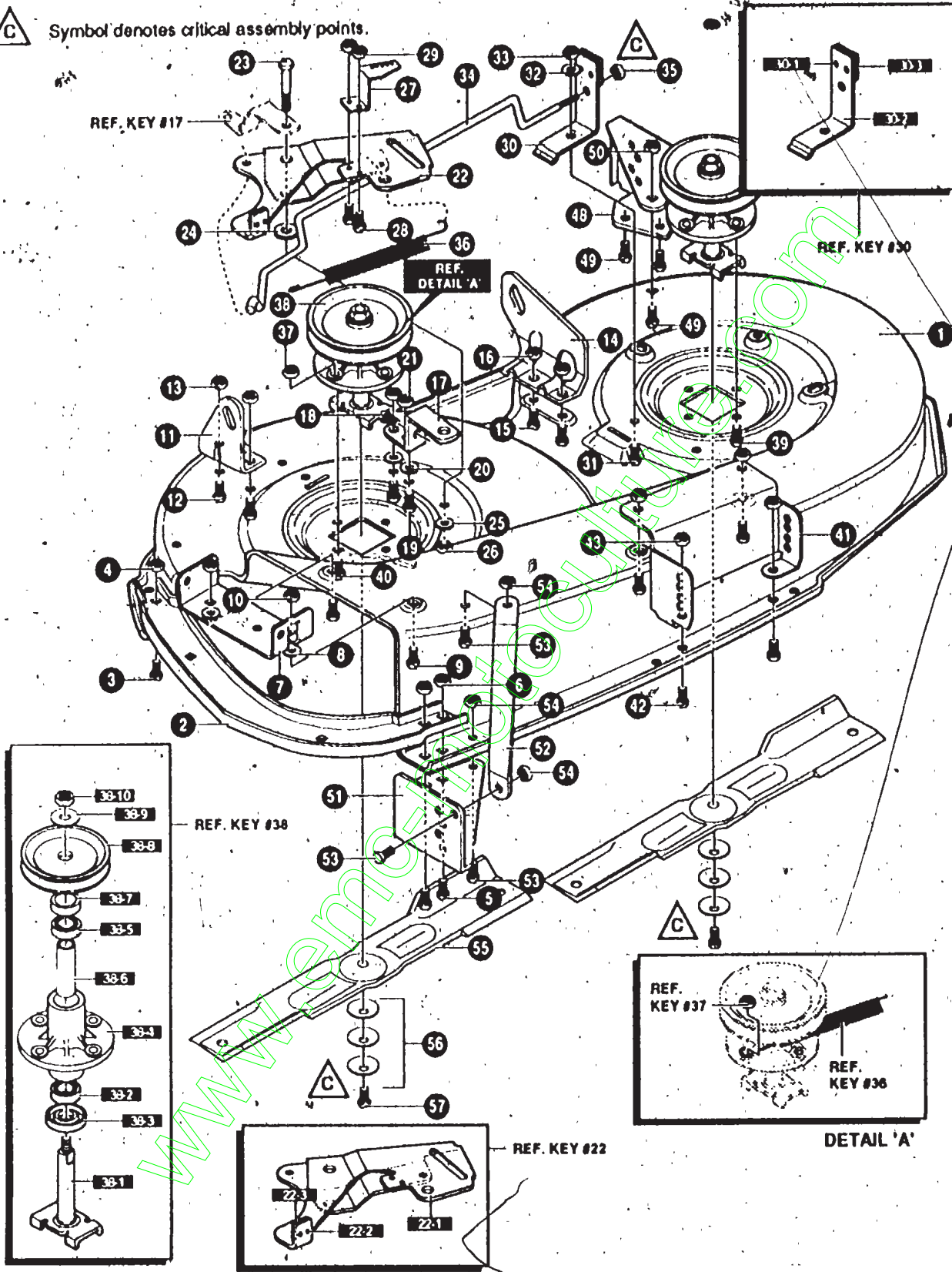
338921 A

KEY#	PART#	DESCRIPTION	QTY.
1	*	ENGINE, 14.5 B&S IC OHV .....	1
2	50947	SCREW, 3/8-16 X 1.25 .....	4
3	138489	WASHER, .384 X .69 X .04 .....	1
4	331327	EXHAUST TUBE .....	1
5	328024	CLAMP EXHAUST .....	1
6	339615-853	ASSEMBLY, HEAT SHIELD .....	1
7	995346	SCREW, 1/4-20 X .50 .....	3
8	180083	SCREW, 5/16-18 X 1.50 .....	1
9	120376	NUT, 5/16-18 .....	1
10	335093	PULLEY, ENGINE .....	1
11	120383	WASHER, .459 X .78 X .12 .....	1
12	433146	SCREW, 7/16-20 X 4.25 .....	1
13	314989	TANK, FUEL 1 GALLON .....	1
14	300303	SCREW, .25 X .75 X .51 .....	4
15	50118	TUBING, GAS LINE .....	13.5
16	57444	TIE, CABLE .....	1
17	47345	CLAMP, HOSE SCREW TYPE .....	2
18	46704	CAP, GAS .....	1
19	321273	CONTROL, THROTTLE .....	1
20	320553	SCREW, 10-24 X .63 .....	2
21	308459	NUT, #10-24 .....	2
22	50607	KNOB, ROUND THROTTLE .....	1
23	325547	OIL DRAIN VALVE ASSEMBLY .....	1
24	327422	CAP, OIL DRAIN .....	1
25	124818	NUT, 1/4-20 .....	1

\* SEE ENGINE MANUAL



Symbol denotes critical assembly points.



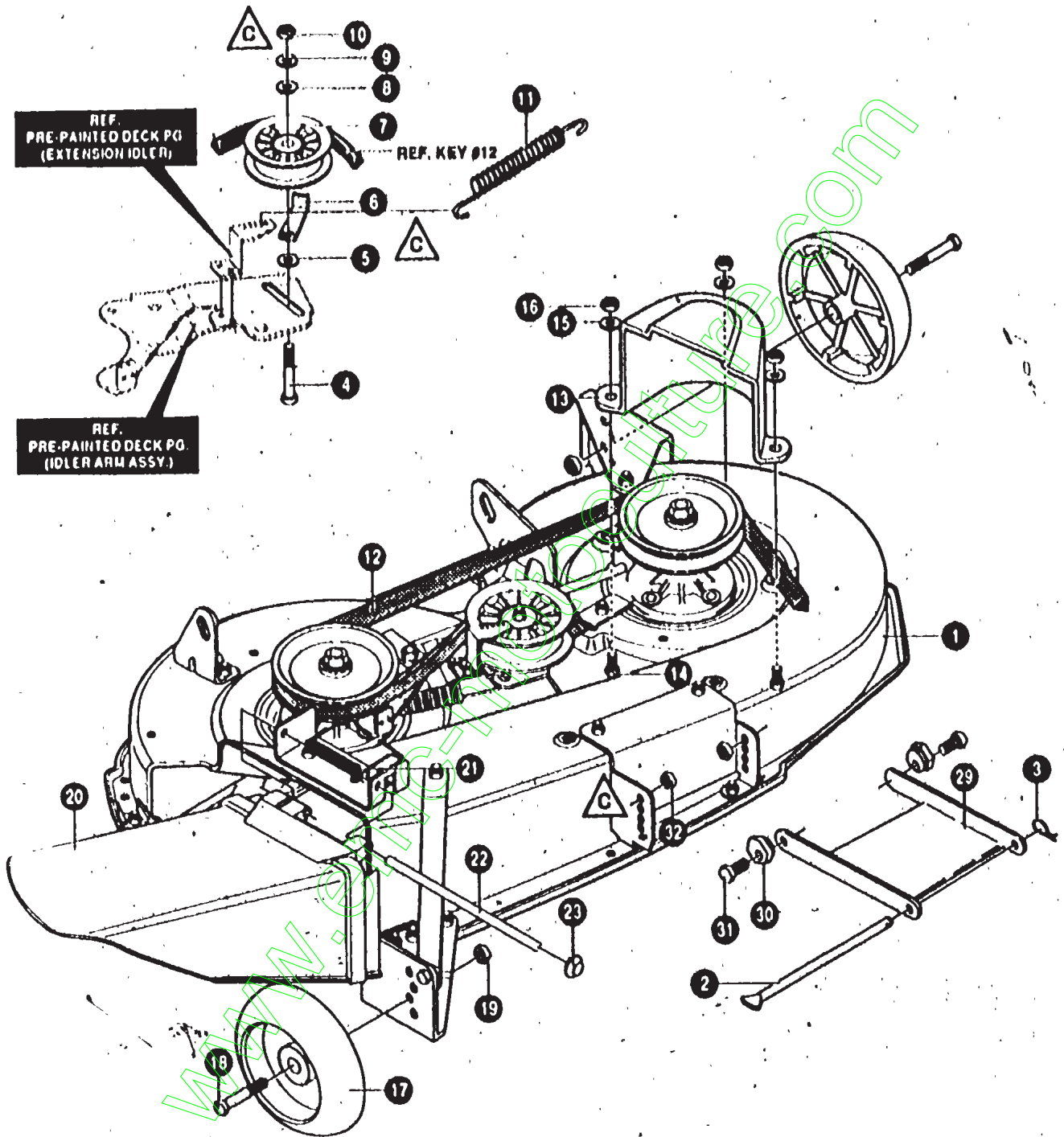
**NOTE: ALWAYS USE ORIGINAL EQUIPMENT PARTS. Use of service/replacement parts other than original equipment parts may void your warranty.**

**ALL UNNUMBERED ITEMS ARE INTERCHANGEABLE WITH OPPOSITE SIDE**

KEY#	PART#	DESCRIPTION	QTY
1	325103	40' DECK KIT .....	1
2	326480	TOE GUARD - MULCHER .....	1
3	180077	SCREW, 5/16-18 X .75 .....	1
4	1498	NUT, 5/16-18 .....	1
5	180077	SCREW, 5/16-18 X .75 .....	2
6	1498	NUT, 5/16-18 .....	2
7	317017	BRACKET, CHUTE MOUNT .....	1
8	120393	WASHER, FLAT .344 X .69 X .065 .....	2
9	180077	SCREW, 5/16-18 X .75 .....	2
10	1498	NUT, 5/16-18 .....	2
11	313929	BRACKET, RH LIFT REAR .....	1
12	180077	SCREW, 5/16-18 X .75 .....	2
13	1498	NUT, 5/16-18 .....	2
14	310667	BRACKET, LH LIFT REAR .....	1
15	180077	SCREW, 5/16-18 X .75 .....	2
16	1498	NUT, 5/16-18 .....	2
17	326893	BRACE IDLER SUPPORT .....	1
18	308231	SCREW, 1/4-20 X 1.25 .....	1
19	180077	SCREW, 5/16-18 X .75 .....	2
20	120393	WASHER, FLAT .344 X .69 X .065 .....	2
21	336171	NUT, 5/16-18 .....	2
22	320576	IDLER ARM ASSEMBLY .....	1
22-1	322116	ARM IDLER .....	1
22-2	41601	RIVET .....	2
22-3	306973	BRAKE PAD .....	1
23	304420	BOLT, .500 X 2.15 .....	1
24	996307	WASHER, FLAT .391 X 1.00 X .209 .....	1
25	996416	WASHER, FLAT .391 X 1.00 X .125 .....	2
26	45171	NUT, 3/8-16 .....	1
27	326249	BRACKET, EXTENSION IDLER .....	1
28	180077	SCREW, 5/16-18 X .75 .....	2
29	1498	NUT, 5/16-18 .....	2
30	321828	BLADE BRAKE ASSEMBLY .....	1
30-1	135624	RIVET .....	2
30-2	304119	BRAKE ARM .....	1
30-3	306973	BRAKE PAD .....	1
31	180077	SCREW, 5/16-18 X .75 .....	1
32	120393	WASHER, FLAT .344 X .69 X .065 .....	1
33	1498	NUT, 5/16-18 .....	1
34	302714	ROD, BRAKE .....	1
35	1502	NUT, 1/4-20 .....	1
36	35410	SPRING .....	1
37	1498	NUT, 5/16-18 .....	1
38	337734	QUILL ASSEMBLY .....	2
38-1	56425	SHAFT/SADDLE .....	1
38-2	49562	BEARING, BALL .....	1
38-3	50616	DUST SHIELD .....	1
38-4	55547	QUILL CASTING .....	1
38-5	49562	BEARING, BALL .....	1
38-6	50818	SPACER, SLEEVE .....	1
38-7	331067	SPACER, QUILL .....	1
38-8	333132	PULLEY, QUILL .....	1
38-9	56365	WASHER, SPECIAL QUILL .....	1
38-10	1282	NUT, 7/16-20 .....	1
39	35498	SCREW, 5/16-18 X .75 .....	7
40	300345	SCREW, 5/16-18 X 1.38 .....	1
41	318445	BRACKET, FRONT DECK .....	1
42	180077	SCREW, 5/16-18 X .75 .....	4
43	1498	NUT, 5/16-18 .....	4
48	317041	BRACKET, GAGE WHEEL, LH .....	1
49	180077	SCREW, 5/16-18 X .75 .....	3
50	1498	NUT, 5/16-18 .....	3
51	322464	BRACKET, GAGE WHEEL, RH FRONT .....	1
52	314282	BRACKET, STABILIZER .....	1
53	180077	SCREW, 5/16-18 X .75 .....	3
54	1498	NUT, 5/16-18 .....	3
55	313316	BLADE, 40' STD-LIFT 20.32 .....	2
56	2483	WASHER, .391D X 1.25D X .07 .....	6
57	39573	SCREW, 3/8-24 X 1.00 .....	2



**C** Symbol denotes critical assembly points.



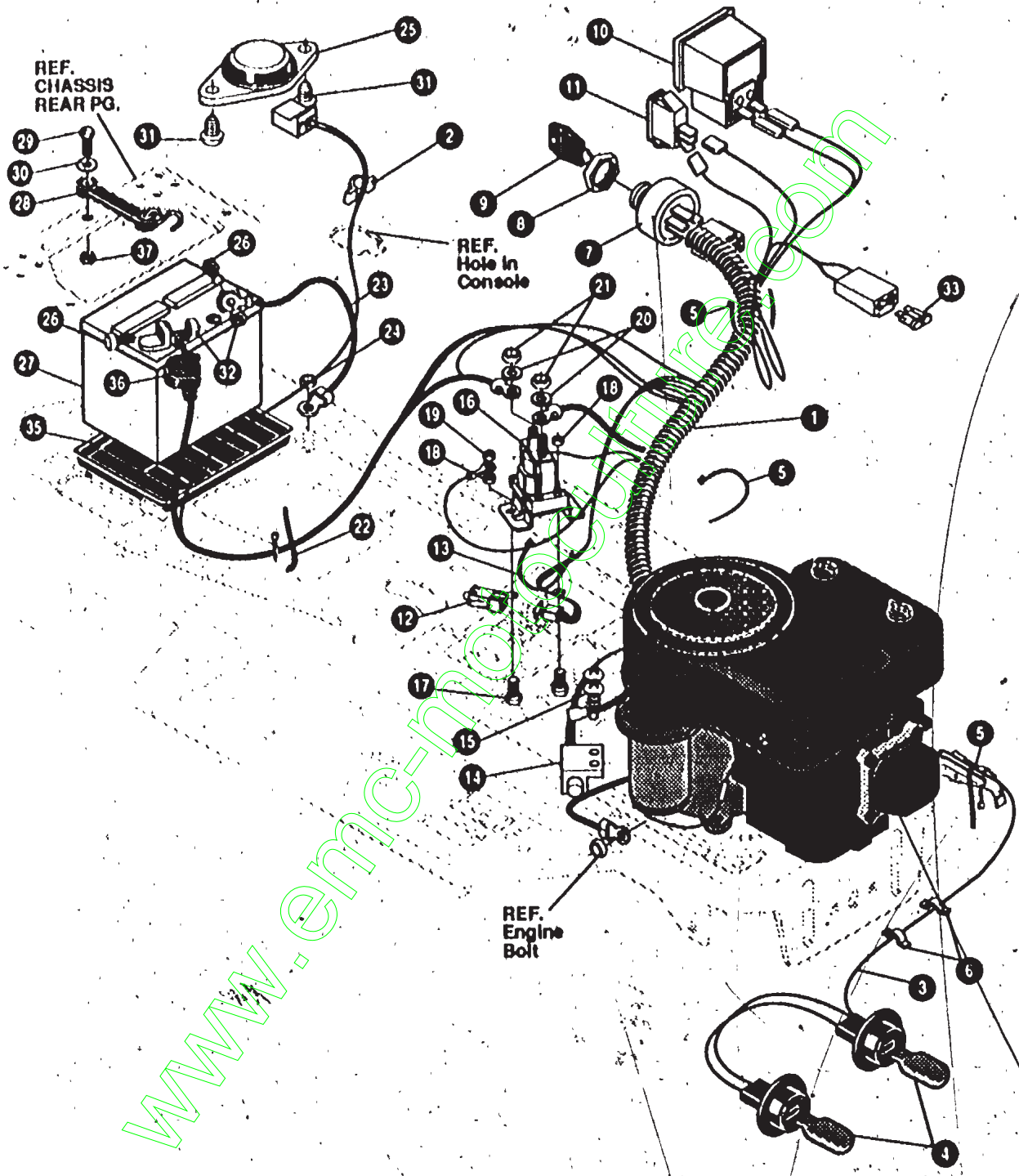
**NOTE: ALWAYS USE ORIGINAL EQUIPMENT PARTS.** Use of service/replacement parts other than original equipment parts may void your warranty.

**ALL UNNUMBERED ITEMS ARE INTERCHANGEABLE WITH OPPOSITE SIDE**

325680 C

KEY#	PART#	DESCRIPTION	QTY
1	*	DECK, 40" MOWER .....	1
2	58306	ROD, DECK HITCH .....	1
3	8260	PIN, HAIR .....	1
4	57325	BOLT, 3/8-16 X 2.00 .....	1
5	25210	WASHER, FLAT .386 X 1.25 X .09 .....	1
6	1346	RETAINER, BELT .....	1
7	310326	PULLEY, IDLER .....	1
8	996307	WASHER, FLAT .391 X 1.00 X .209 .....	1
9	120382	WASHER, .393 X .68 X .10 .....	1
10	120377	NUT, 3/8-16 .....	1
11	300473	SPRING, TENSION .....	1
12	319005	BELT, V 5L 81.00 .....	1
13	328257	GUARD, BELT LH .....	1
14	180077	SCREW, 5/16-18 X .75 .....	3
15	120393	WASHER, FLAT .344 X .69 X .065 .....	3
16	1498	NUT, 5/16-18 .....	3
17	302611	GAUGE WHEEL .....	2
18	23763	BOLT, .500 X 1.390 .....	2
19	1499	NUT, 3/8-16 .....	2
20	304422	CHUTE DEFLECTOR .....	1
21	314975	SPRING, TORSION CHUTE DEFLECTOR .....	1
22	304424	ROD, PIVOT DECK .....	1
23	3535	NUT, PUSH ON CAP .....	1
29	58305-853	BRACKET, LINK DECK FRONT .....	1
30	58247	NUT, ADJUST .....	2
31	180079	SCREW, 5/16-18 X 1.00 .....	2
32	1498	NUT, 5/16-18 .....	2

\* REFERENCE ONLY



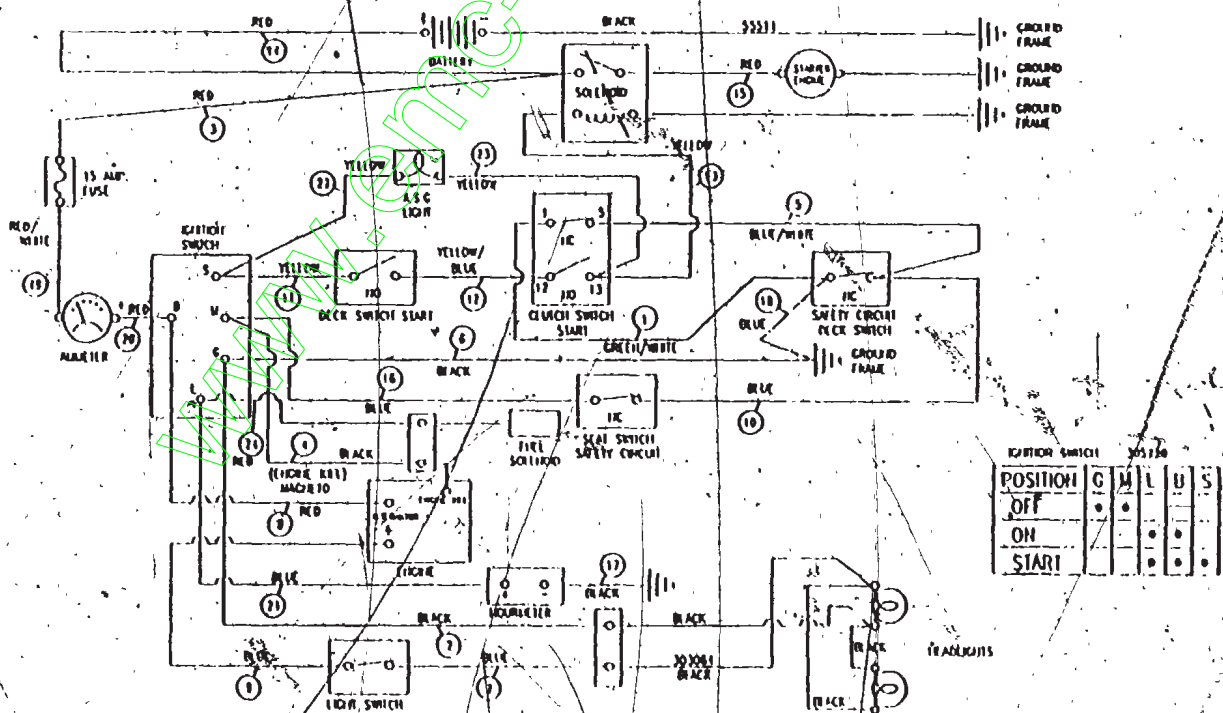
**NOTE: ALWAYS USE ORIGINAL EQUIPMENT PARTS.** Use of service/replacement parts other than original equipment parts may void your warranty.

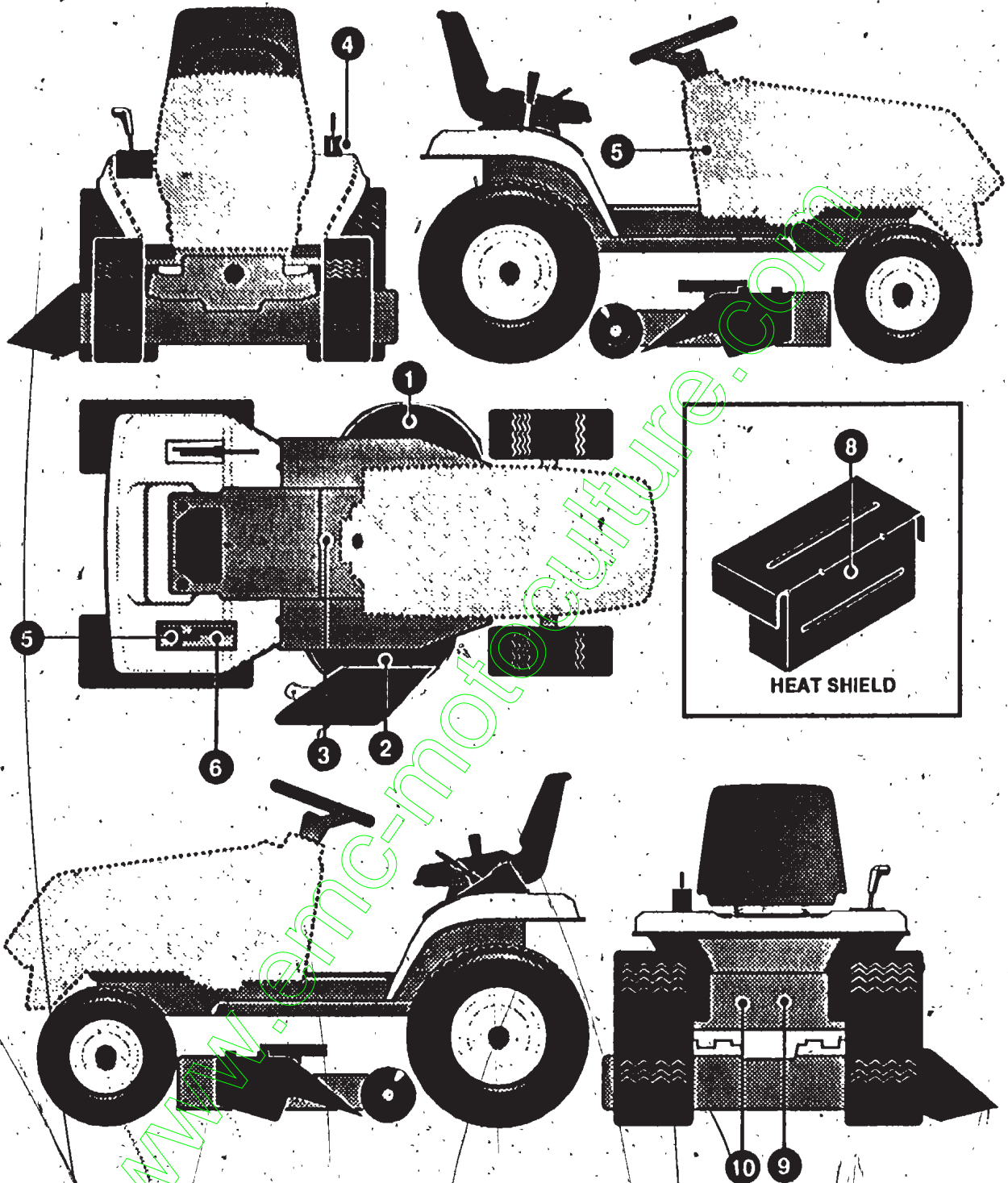
**ALL UNNUMBERED ITEMS ARE INTERCHANGEABLE WITH OPPOSITE SIDE**

336356 A

KEY#	PART#	DESCRIPTION	QTY
1	328253	HARNES, WIRE .....	1
2	41482	PRESS CLIP .....	1
3	303064	ASSEMBLY, LIGHT WIRE .....	1
4	52572	BULB, HEADLAMP .....	2
5	57444	TIE, CABLE .....	3
6	41482	PRESS CLIP .....	2
7	327355	SWITCH-IGNITION .....	1
8	327352	NUT, 5/8-8 .....	1
9	327350	KEY, IGNITION .....	1
10	300133	AMMETER .....	1
11	300334	LIGHT SWITCH, ON/OFF PANEL MOUNT .....	1
12	320082	SWITCH, DOUBLE POLE .....	1
13	57444	TIE, CABLE .....	1
14	57476	SWITCH, SCREW MOUNT .....	1
15	57220	SCREW, #12 X .50 .....	2
16	53716	SOLENOID .....	1
17	187745	SCREW, 1/4-20 X .75 .....	2
18	1502	NUT, 1/4-20 .....	2
19	271172	NUT, 1/4-20 .....	1
20	138485	WASHER, .320 X .61 X .03 .....	2
21	120368	NUT, 5/16-24 .....	2
22	57444	TIE, CABLE .....	1
23	55511	WIRE, GROUND, 12.5" .....	1
24	271184	NUT, 5/16-18 .....	1
25	57547	SWITCH, SEAT .....	1
26	160505	SCREW, 1/4-20 X .38 .....	2
27	302257	BATTERY, 12V .....	1
28	57505	RUBBER STRAP .....	1
29	180022	SCREW, 1/4-20 X 1.00 .....	1
30	120392	WASHER, FLAT .28 X .63 X .065 .....	1
31	180020	SCREW, 1/4-20 X .75 .....	2
32	271172	NUT, 1/4-20 .....	2
35	91895	TRAY - BATTERY .....	1
36	335417	BOOT, BATTERY .....	1
37	1502	NUT, 1/4-20 .....	1

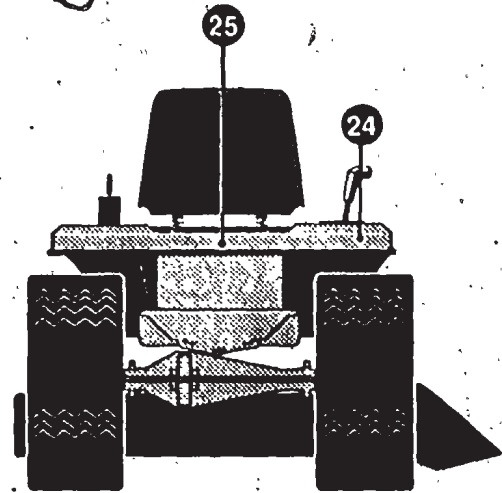
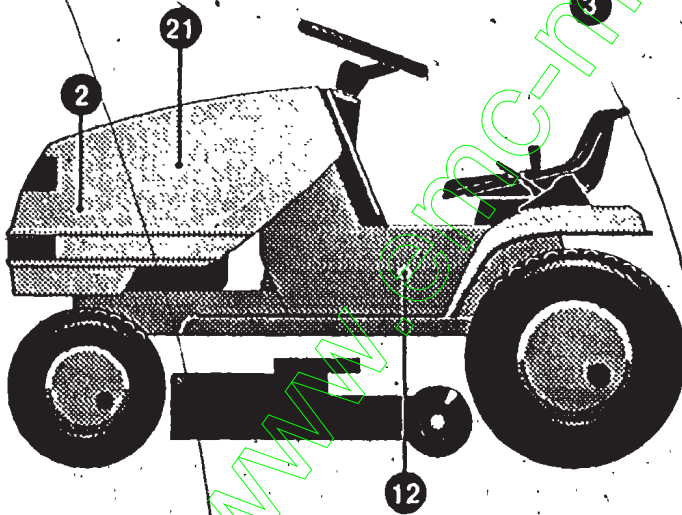
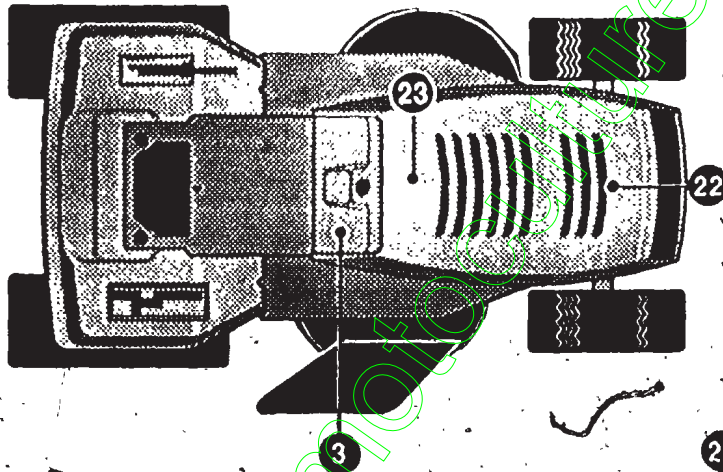
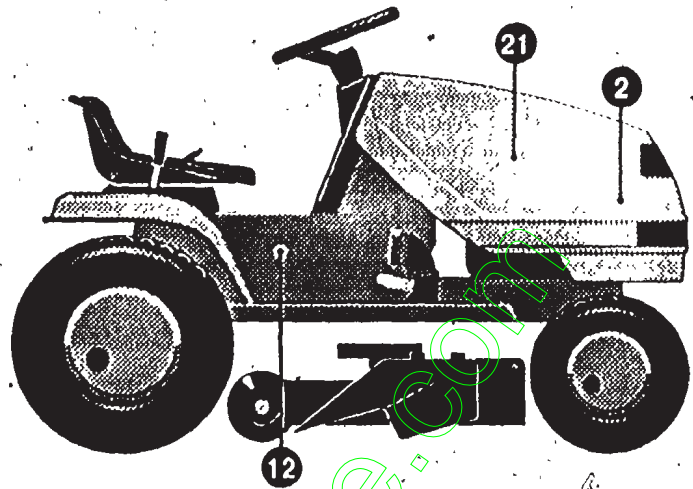
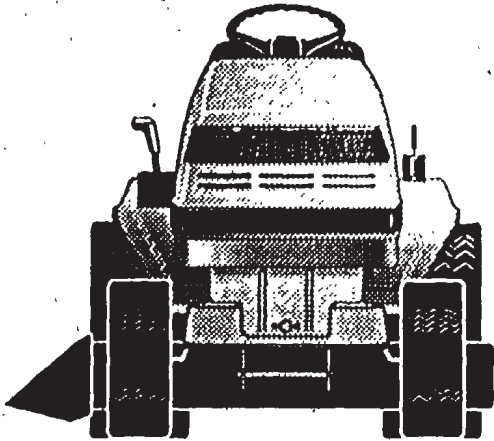
SCHEMATIC DRAWING





KEY	PART#	DESCRIPTION	QTY
1	402700	DECAL, CAUTION DECK, LH	1
2	402701	DECAL, CAUTION DECK, RH CUT HAND	1
3	338539	DECAL, CONS CAUTION	1
4	402214	DECAL, HEIGHT ADJUST	1
5	402739	DECAL, SHIFTER HYDRO REV/NEUTRAL	1
6	402738	DECAL, SHIFTER HYDRO FORWARD	1
7	402702	DECAL, BRAKE/CLUTCH	1
8	338543	DECAL, HOT SURFACE WARNING	1
9	338542	DECAL, DRAWBAR WARNING	1
10	335197	DECAL, AUTOMATIC DRIVE DISCON.	1

339638 A

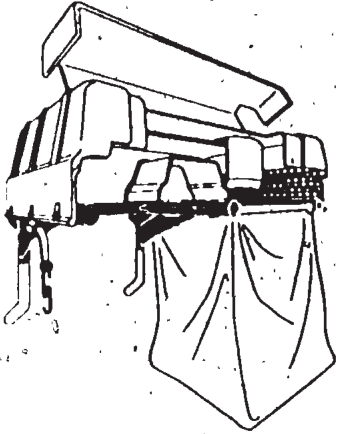


KEY#	PART#	DESCRIPTION	QTY
2	339493	NAMEPLATE, LARGE SIL/BLK	2
3	321765	DECAL, DASH	1
12	402661	NAMEPLATE, 14.5/40 WHITE	2
21	305603	PAD, 18 X 6 FOAM HOOD	2
22	307277	PAD, 12 X 4 FOAM HOOD	1
23	305602	FOAM HOOD 4 X 15	1
24	322313	DECAL 4WS M/F BLACK ON SILVER	1
25	339494	NAMEPLATE, MED. SIL/BLK	1

339755 A

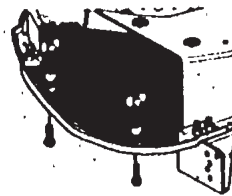
Contact the dealer where your tractor was purchased for the available accessories. If you are unable to contact the dealer, write to the address on the warranty page of your Operator's manual.

**Large Lawn Tractor**

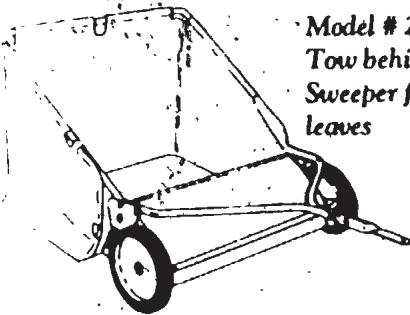
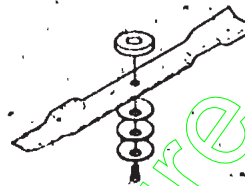


Model # 57083400  
Grass Collector for  
40, 42, 43" decks

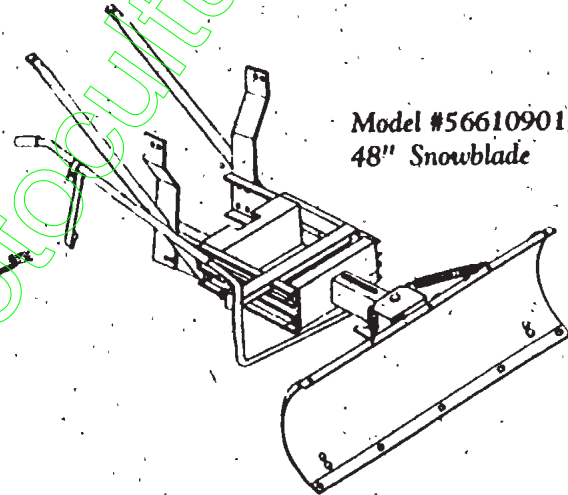
For heavy duty grass col-  
lection order Model  
#57091000 Air Assist



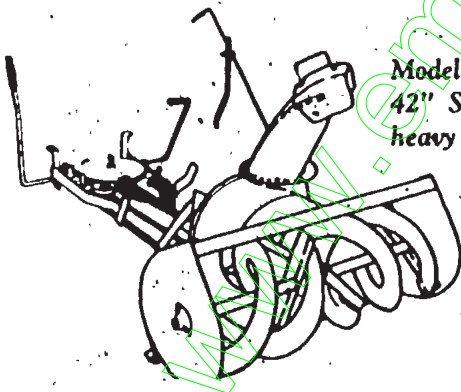
57170000  
Mulching Kit (42/43" Deck)  
57160000  
Mulching Kit (40" Deck)



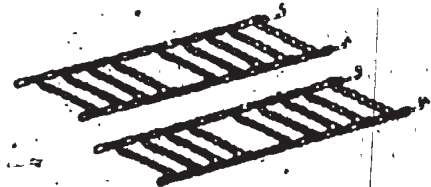
Model # 24720  
Tow behind Lawn  
Sweeper for grass and  
leaves



Model #56610901  
48" Snowblade



Model #57050600  
42" Snowthrower for  
heavy snowfall



Model # 24525  
Tire Chains - 20" x 8.0" tires  
Model # 24515  
Tire Chains - 20" x 10.0" tires

**OTHER ACCESSORIES**

- Model
- 56720100
- 5673020
- 24003
- 309070
- 330277
- 316608
- 325762

- | Description  |
|--|
| Wheel Weights - Front - 1 pr. w/mtg. hdw. - Fits 15" tires                     |
| Wheel Weights - Rear - 1 pr. w/mtg. hdw. - Fits 18" & 20" tires (for 4ws only) |
| Wheel Weights - Rear - 1 pr. w/mtg. hdw. - Fits 18" & 20" tires (for 2ws only) |
| 40" High Lift Blade for Bagging or Side Discharge (Requires 2)                 |
| 40" Mulching Blade (Requires 2)  |
| 43" High Lift Blade for Bagging or Side Discharge (Requires 2)                 |
| 43" Mulching Blade (Requires 2)  |