

STIGA

GARDEN COMBI (1999)

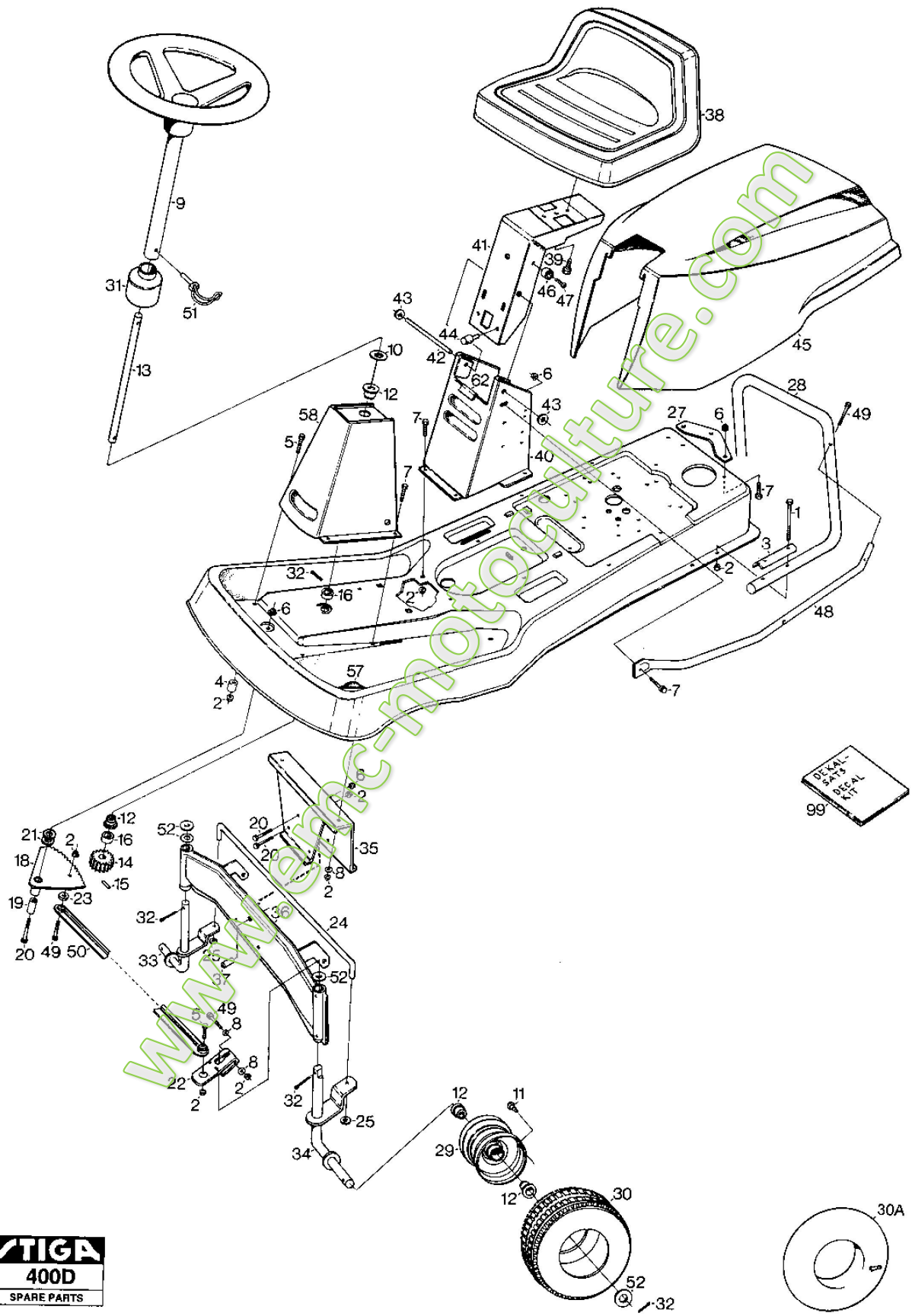
13-2333-22

Spare parts list
Reservdelar
Repuestos
Ersatzteile
Pièces détachées
Reserve onderdelen
Catalogo ricambi

www.emc-motoculture.com

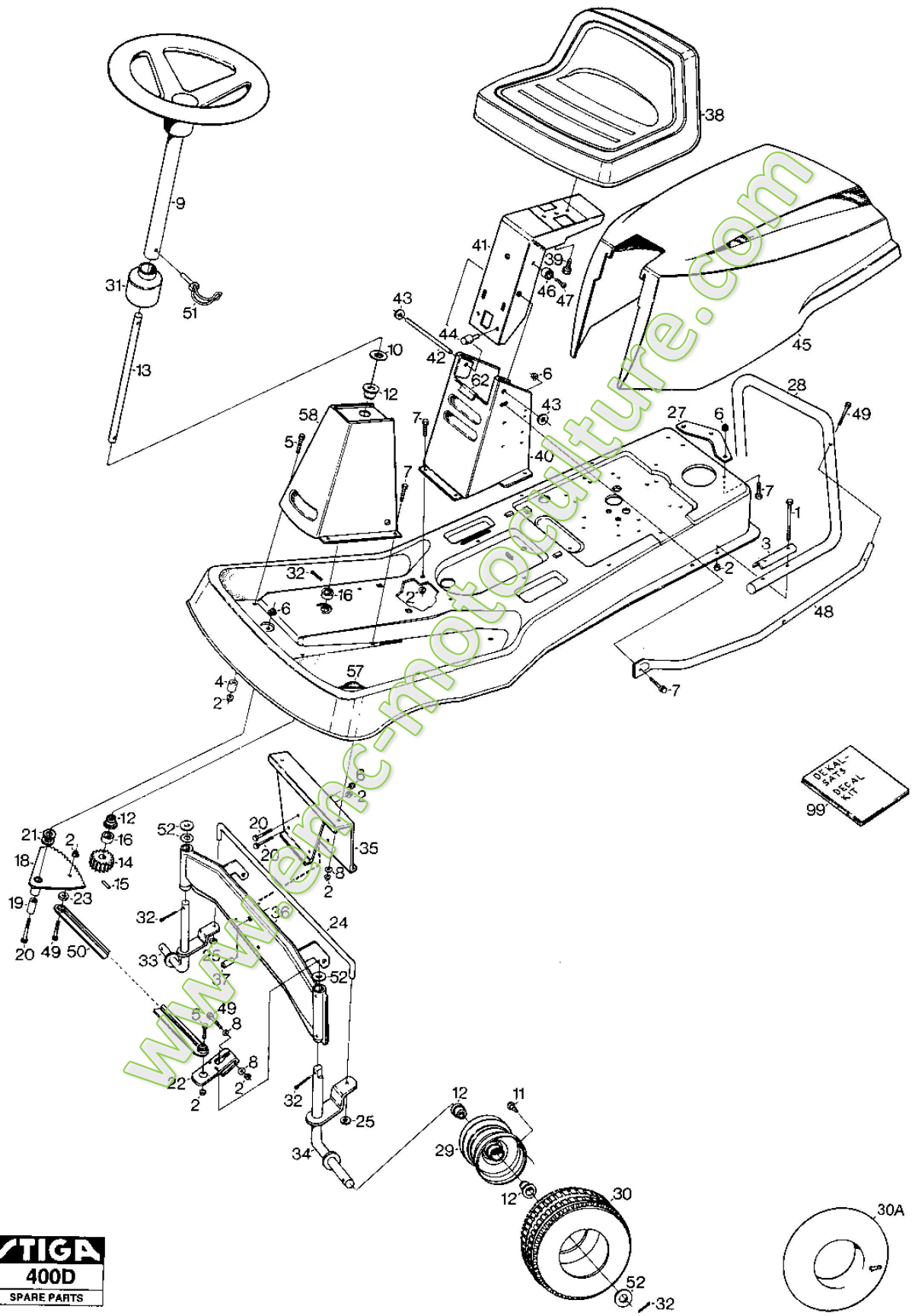
- Use ST. S.p.A. Genuine Spare Parts specified in the parts list for repair and/or replacement.
- The contents described in the parts list may change due to improvement.
- The drawings of the spare parts are only indicative And might Not represent the part in question exactly.
- The indications "right" - "left" - "front" - "rear" refer to the position of the operator when using the machine.
- When placing orders of parts for repair And/Or replacement, make sure that the illustrated parts list Is the one applying to the machine's year of manufacture, as shown on the identification plate attached to the machine.

All rights reserved. No part Of this material may be reproduced Or transmitted, in any form Or by any means, electronic Or mechanical, including photocopying, recording Or by any information storage And retrieval system, without permission in writing from ST. S.p.A.



Châssis Steering

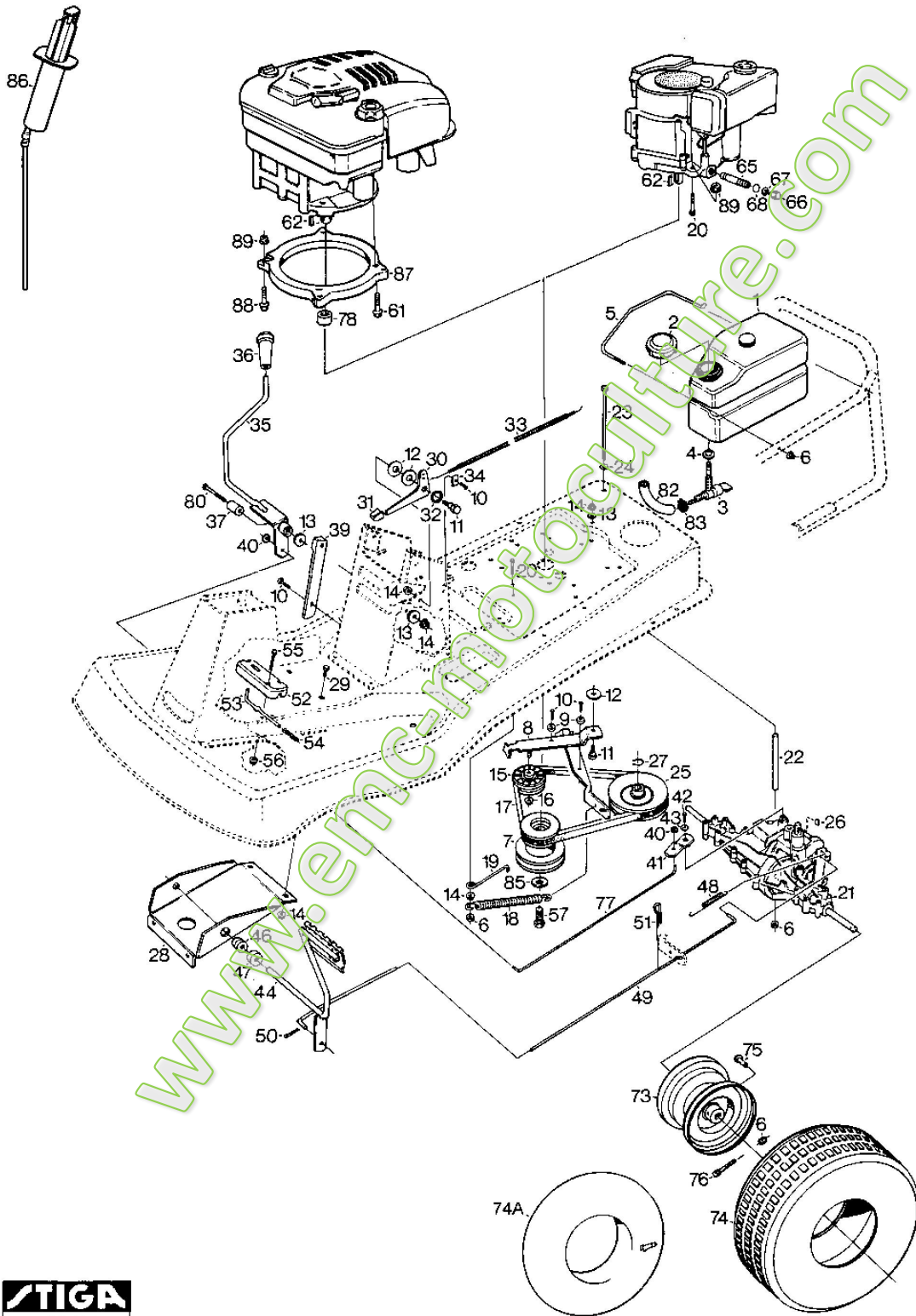
| Réf. N° | Q.té : | Code article | Description | Articles | De | Jusqu'à |
|---------|--------|--------------|----------------------------|----------|----|---------|
| 1 | 4 | 9997-0890-12 | Vis | | | |
| 2 | 17 | 9747-0831-02 | Ecrou Auto-Freinés | | | |
| 3 | 2 | 1134-3165-01 | Tube Plate | | | |
| 4 | 2 | 1134-3113-01 | Entretoise | | | |
| 5 | 3 | 9997-0830-16 | Vis | | | |
| 6 | 4 | 9739-0831-22 | Ecrou | | | |
| 6 | 6 | 9739-0831-22 | Ecrou | | | |
| 7 | 10 | 9997-0820-16 | Vis | | | |
| 7 | 8 | 9997-0820-16 | Vis | | | |
| 8 | 4 | 9699-0090-02 | Rondelle | | | |
| 9 | 1 | 1134-3192-01 | Volant | | | |
| 10 | 1 | 1134-0341-01 | Rondelle | | | |
| 10 | 1 | 1134-0341-02 | Rondelle | | | |
| 11 | 2 | 9545-0500-00 | Soupape | | | |
| 12 | 2 | 1134-9024-01 | Coussinet | | | |
| 13 | 1 | 1134-3190-01 | Tube De Direction | | | |
| 14 | 1 | 1134-3086-01 | Couronne | | | |
| 15 | 1 | 9595-0258-00 | Locating Pin | | | |
| 16 | 2 | 1134-3162-01 | Entretoise | | | |
| 18 | 1 | 1134-3080-02 | Toothed Segment | | | |
| 19 | 1 | 1134-1565-01 | Entretoise | | | |
| 20 | 4 | 9997-0855-12 | Vis | | | |
| 21 | 2 | 9699-0056-02 | Rondelle | | | |
| 22 | 1 | 1134-3115-01 | Steering Arm | | | |
| 23 | 1 | 1134-3113-01 | Entretoise | | | |
| 24 | 1 | 1134-2096-02 | Tige | | | |
| 25 | 2 | 9675-0015-02 | Starlock | | | |
| 27 | 1 | 1134-1774-01 | Towing Eyelet | | | |
| 28 | 1 | 1134-3140-01 | Bumper | | | |
| 29 | 2 | 1134-3726-01 | Fälg | | | |
| 29 | 2 | 1134-3726-03 | Rim | | | |
| 30 | 2 | 9545-0114-00 | Pneu | | | |
| 31 | 1 | 1134-3166-01 | Douille | | | |
| 32 | 5 | 9599-0080-02 | Goupille | | | |
| 33 | 1 | 1134-3118-01 | Spindle R.H. | | | |
| 34 | 1 | 1134-3120-01 | Spindle L.H. | | | |
| 35 | 1 | 1134-3107-01 | Etrier | | | |
| 36 | 1 | 1134-3151-01 | Axe Avant | | | |
| 37 | 1 | 1134-3155-01 | Entretoise | | | |
| 38 | 1 | 1134-3238-01 | Seat | | | |
| 39 | 1 | 9988-3919-16 | Vis | | | |
| 40 | 1 | 1134-3135-01 | Seat Bracket (Yellow) | | | |
| 41 | 1 | 1134-3138-01 | Support Siege | | | |
| 42 | 1 | 1134-0022-00 | Tige | | | |
| 43 | 2 | 9675-0017-02 | Starlock | | | |
| 44 | 2 | 1134-3134-01 | Ressort | | | |
| 45 | 1 | 1134-3091-01 | Couverture du moteur Jaune | | | |
| 46 | 2 | 1134-3163-01 | Bouton | | | |



Châssis Steering

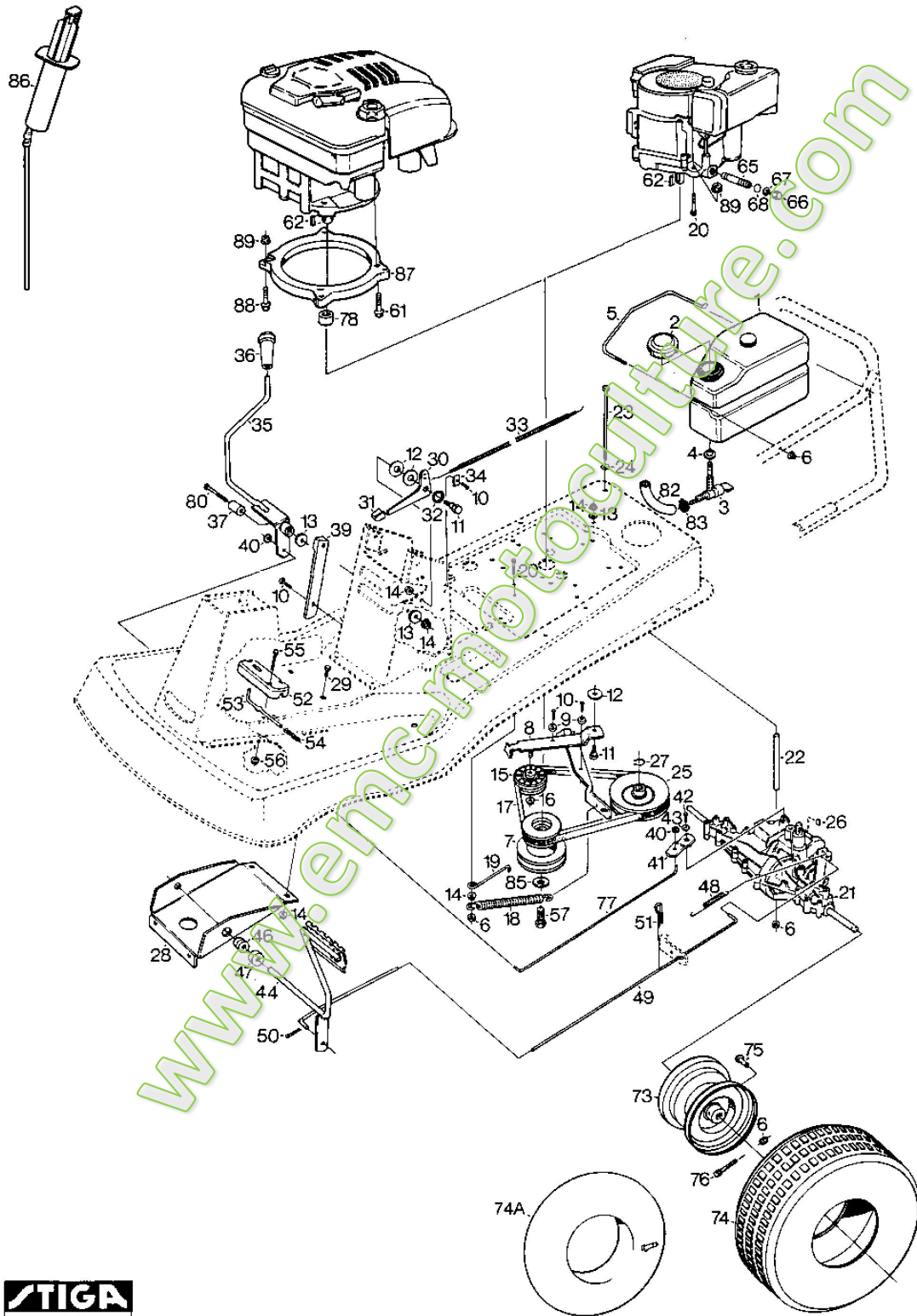
| Réf. N° | Q.té : | Code article | Description | Articles | De | Jusqu'à |
|---------|--------|--------------|---------------------------|----------|----|---------|
| 47 | 2 | 9849-8013-16 | Vis | | | |
| 48 | 2 | 1134-3139-01 | Tubing | | | |
| 49 | 4 | 9997-0845-12 | Vis | | | |
| 50 | 1 | 1134-3247-01 | Bar | | | |
| 51 | 1 | 1134-3167-01 | Locking Clip | | | |
| 52 | 5 | 1134-0341-01 | Rondelle | | | |
| 57A | 1 | 1134-3149-01 | Floor Mat-R.H. | | | |
| 57A | 1 | 1134-3149-02 | Floor Mat-R.H. | | | |
| 57 | 1 | 1134-3537-02 | Floor Mat | | | |
| 58 | 1 | 1134-3199-01 | Steering Console (Yellow) | | | |
| 62 | 1 | 1134-3281-01 | Trim | | | |
| 99 | 1 | 1134-3556-01 | Ens. Etiquette | | | |
| 99 | 1 | 1134-3922-01 | Ens. Etiquette | | | |

www.emc-motoculture.com



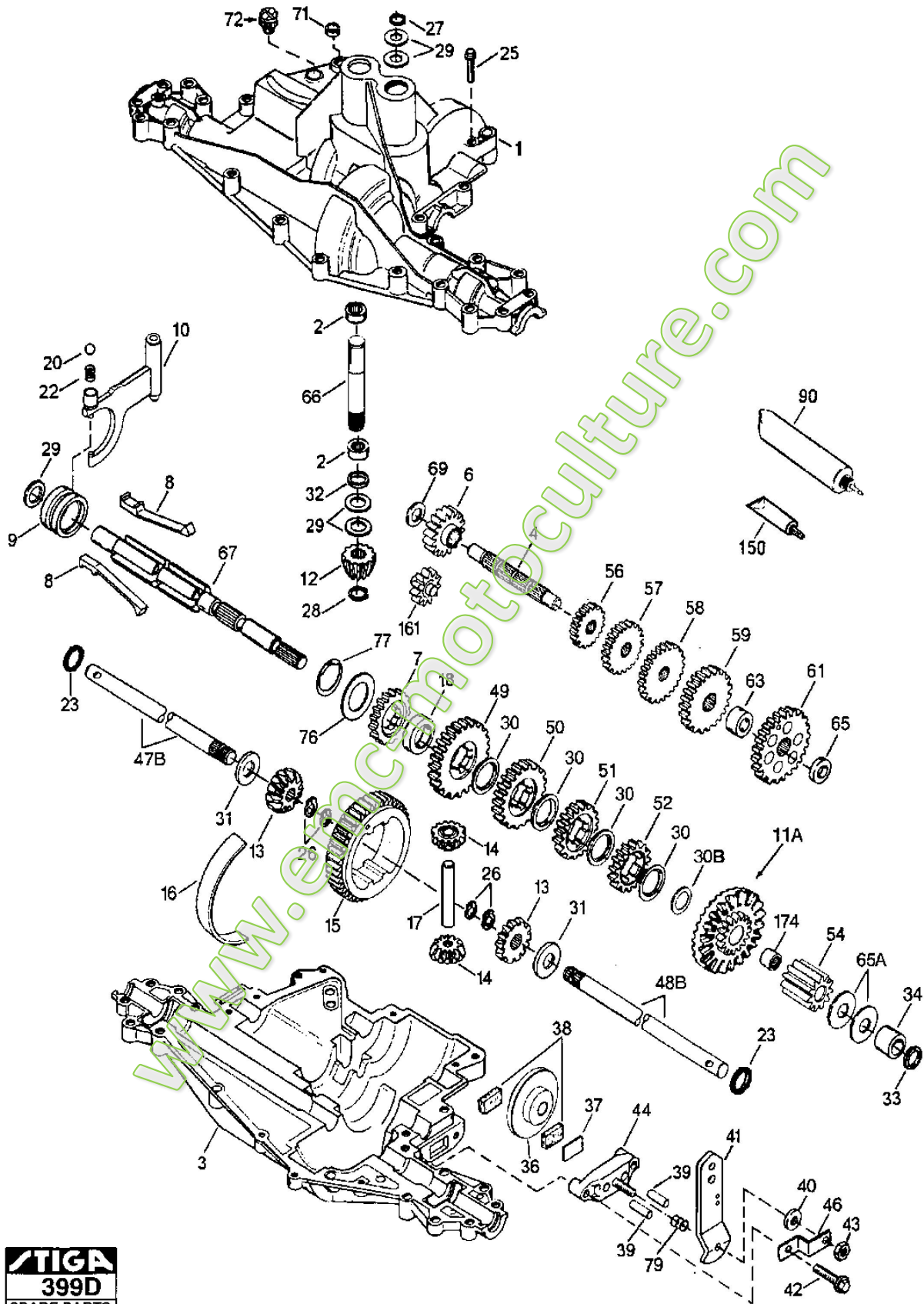
Moteur Transmission

| Réf. N° | Q.té : | Code article | Description | Articles | De | Jusqu'à |
|---------|--------|--------------|------------------------|----------|----|---------|
| 1 | 1 | 1134-3090-01 | Réservoir à carburant | | | |
| 2 | 1 | 1134-2877-02 | Bouchon Reservoir | | | |
| 3 | 1 | 1134-3224-01 | Robinet d'essence | | | |
| 4 | 1 | 1134-3225-01 | Caoutchouc | | | |
| 5 | 1 | 1134-3221-01 | Support Reservoir | | | |
| 6 | 4 | 9747-0831-02 | Ecrou Auto-Freinés | | | |
| 6 | 5 | 9747-0831-02 | Ecrou Auto-Freinés | | | |
| 7 | 1 | 1134-3651-01 | Moteur Poulie | | | |
| 7A | 1 | 9997-1450-16 | Vis | | | |
| 8 | 1 | 1134-3141-01 | Levier d'embrayage | | | |
| 9 | 2 | 1134-3144-01 | Entretoise | | | |
| 10 | 5 | 9849-8013-16 | Vis | | | |
| 11 | 2 | 1134-0240-00 | Vis | | | |
| 12 | 3 | 1134-3147-01 | Rondelle | | | |
| 13 | 3 | 9699-0056-02 | Rondelle | | | |
| 14 | 6 | 9739-0831-22 | Ecrou | | | |
| 15 | 1 | 1134-9027-01 | Tension Roller (Black) | | | |
| 16 | 1 | 9739-1031-22 | Ecrou | | | |
| 17 | 1 | 1134-9013-01 | Courroie | | | |
| 18 | 1 | 1134-1578-01 | Ressort | | | |
| 19 | 1 | 1134-2086-01 | Guide Curroire | | | |
| 20 | 5 | 9997-0830-16 | Vis | | | |
| 20 | 1 | 9997-0830-16 | Vis | | | |
| 21 | 1 | 1134-3157-01 | Transaxle (915-011D) | | | |
| 21 | 1 | 1134-3157-03 | Trasmission (915-028) | | | |
| 21 | 1 | 1134-3157-04 | Trasmission (915-031) | | | |
| 22 | 1 | 1134-3154-01 | Entretoise | | | |
| 23 | 1 | 9997-0815-02 | Vis | | | |
| 24 | 1 | 9699-0090-02 | Rondelle | | | |
| 25 | 1 | 1134-3182-01 | Poulie | | | |
| 26 | 1 | 9600-0050-00 | Clef | | | |
| 27 | 1 | 9650-0016-04 | Circlip | | | |
| 28 | 1 | 1134-3106-01 | Etrier | | | |
| 29 | 2 | 9898-0820-16 | Vis | | | |
| 30 | 1 | 1111-0062-01 | Levier | | | |
| 31 | 1 | 1111-0040-02 | Pompeau | | | |
| 32 | 1 | 9694-0001-00 | Rondelle | | | |
| 33 | 1 | 1134-1597-09 | Gas Wire | | | |
| 34 | 1 | 1134-3240-01 | Crochet de câble | | | |
| 35 | 1 | 1134-3112-02 | Gear Shifter | | | |
| 36 | 1 | 1134-3193-01 | Levier | | | |
| 37 | 1 | 1134-1565-01 | Entretoise | | | |
| 39 | 1 | 1134-3160-01 | Gear Shifter Plate | | | |
| 40 | 2 | 9675-0012-02 | Rondelle | | | |
| 41 | 1 | 1134-3109-01 | Levier | | | |
| 42 | 1 | 9987-5016-16 | Vis | | | |
| 43 | 1 | 9699-0060-02 | Rondelle | | | |
| 44 | 1 | 1134-3845-01 | Pedal | | | |



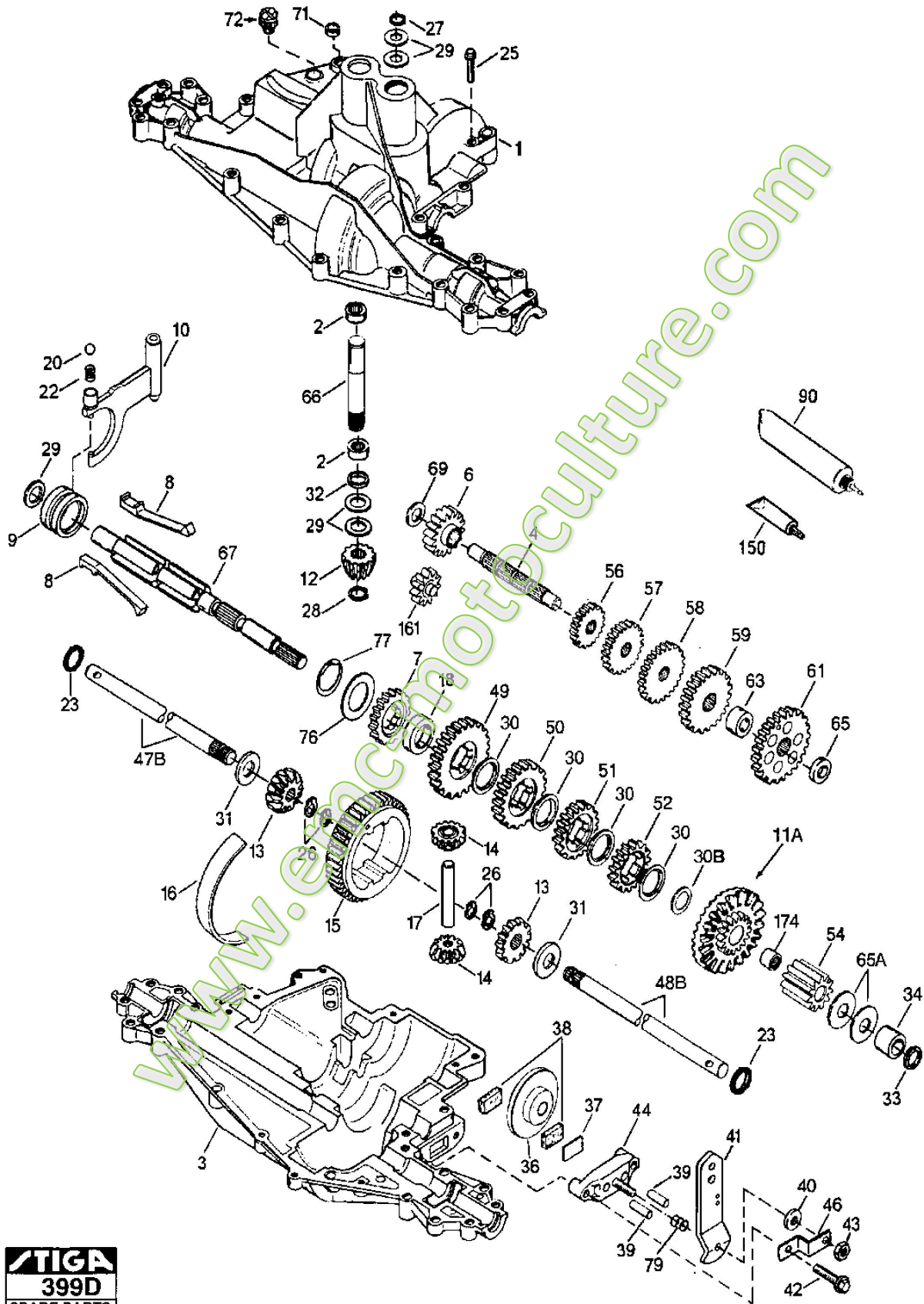
Moteur Transmission

| Réf. N° | Q.té : | Code article | Description | Articles | De | Jusqu'à |
|---------|--------|--------------|--------------------|----------|----|---------|
| 46 | 1 | 1111-0158-00 | Douille | | | |
| 47 | 1 | 1134-3047-01 | Entretoise | | | |
| 48 | 1 | 4231-0013-00 | Ressort | | | |
| 49 | 1 | 1134-3146-01 | Tirant | | | |
| 50 | 1 | 9599-0067-02 | Split Pin | | | |
| 51 | 1 | 9598-0002-02 | Goupille Élastique | | | |
| 52 | 1 | 1134-3178-01 | Plastic Housing | | | |
| 53 | 1 | 1134-3179-01 | Levier | | | |
| 54 | 1 | 1134-3180-01 | Ressort | | | |
| 55 | 3 | 9997-0520-16 | Vis | | | |
| 56 | 3 | 9747-0531-02 | Ecrou | | | |
| 57 | 1 | 9987-5251-12 | Vis | | | |
| 57 | 1 | 9987-5338-12 | Vis | | | |
| 61 | 3 | 9955-3732-12 | Vis | | | |
| 62 | 1 | 9600-0250-00 | Clavette | | | |
| 65 | 1 | 1134-2212-01 | Oil Drain Pipe | | | |
| 65 | 1 | 1134-2212-02 | Oil Drain Pipe | | | |
| 66 | 1 | 1134-0995-01 | Plug | | | |
| 67 | 1 | 9404-0020-00 | O-ring | | | |
| 68 | 1 | 1134-0997-01 | Joint d'étanchéité | | | |
| 73 | 2 | 1134-3171-02 | Rim | | | |
| 73 | 2 | 1134-3745-02 | Rim | | | |
| 74 | 2 | 9545-0118-00 | Pneu | | | |
| 74 | 2 | 9545-0121-00 | Pneu | | | |
| 75 | 2 | 9545-0500-00 | Soupape | | | |
| 76 | 2 | 1134-3170-01 | Boulon | | | |
| 77 | 1 | 1134-3200-01 | Tige | | | |
| 78 | 1 | 1134-0149-01 | Entretoise | | | |
| 80 | 1 | 9997-0855-12 | Vis | | | |
| 82 | 1 | 1134-2975-04 | Tuyau | | | |
| 83 | 1 | 9578-0023-02 | Hose Clamp | | | |
| 85 | 1 | 9699-0030-02 | Rondelle | | | |
| 86 | 1 | 1134-3898-01 | Pompe A Huile | | | |
| 87 | 1 | 1134-3870-01 | Adapter Plate | | | |
| 88 | 4 | 9997-0830-16 | Vis | | | |
| 88 | 1 | 9997-0840-16 | Vis | | | |
| 89 | 4 | 9747-0831-02 | Ecrou Auto-Freinés | | | |



Transmission

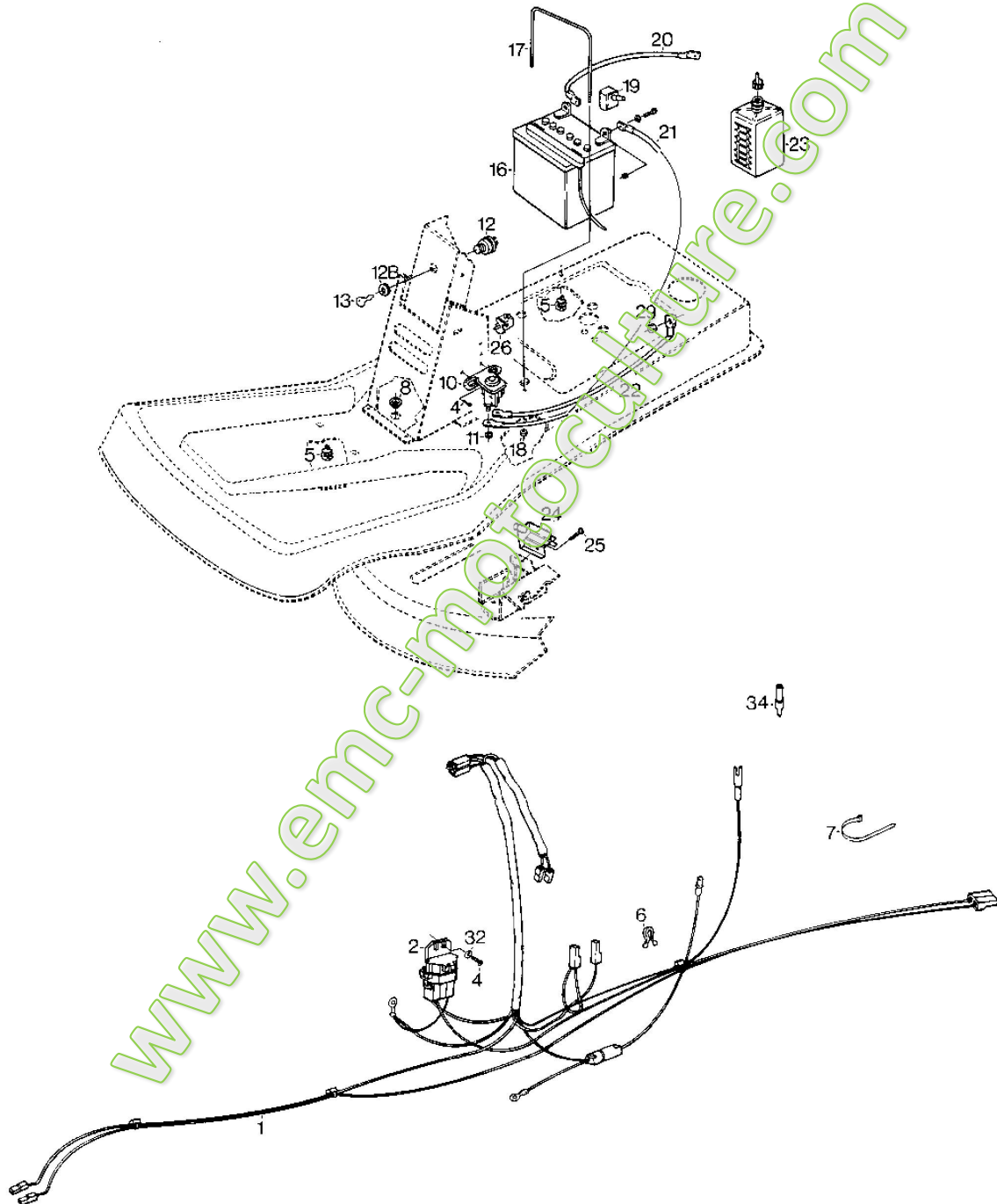
| Réf. N° | Q.té : | Code article | Description | Articles | De | Jusqu'à |
|---------|--------|--------------|----------------------|------------------------|----|---------|
| 0 | 1 | 1134-3157-01 | Transaxle (915-011D) | | | |
| 1 | 1 | 772117 | Couvre | | | |
| 2 | 2 | 780086 | Needle bearing | | | |
| 3 | 1 | 770110 | Carter | | | |
| 4 | 1 | 776300 | Arbre | | | |
| 6 | 1 | 778281 | Gear | 16T | | |
| 7 | 1 | 778122 | Engrenage | 22T | | |
| 8 | 4 | 792160 | Clef | | | |
| 9 | 1 | 784373 | Collier | | | |
| 10 | 1 | 784365 | Shift rod and fork | | | |
| 11A | 1 | 778290 | Bevel gear | Inkl. pos. 174 | | |
| 12 | 1 | 778262 | Bevel pinion | 14T | | |
| 13 | 2 | 778221 | Bevel gear | 16T | | |
| 13 | 2 | 778368 | Bevel gear | 16T | | |
| 14 | 2 | 778068 | Bevel pinion gear | | | |
| 14 | 2 | 778368 | Bevel gear | | | |
| 15 | 1 | 778260 | RIng gear | | | |
| 16 | 1 | 786150 | Bearing strip | | | |
| 17 | 1 | 786139 | Pivot | | | |
| 18 | 1 | 786147 | Entretoise | | | |
| 20 | 1 | 792139 | Sphère | | | |
| 22 | 1 | 792142 | Ressort | | | |
| 23 | 2 | 788061 | Anneau De Tenue | | | |
| 25 | 17 | 792073 | Vis | | | |
| 26 | 4 | 792125 | Anneau Ressort | Sats 2 st/Pkg of 2 | | |
| 27 | 1 | 792035 | Anneau Ressort | | | |
| 28 | 1 | 788040 | Anneau Ressort | | | |
| 29 | 5 | 780072 | Rondelle | | | |
| 30 | 4 | 780108 | Rondelle | | | |
| 30B | 1 | 780178 | Rondelle | | | |
| 31 | 2 | 780001 | Rondelle | | | |
| 32 | 1 | 792001 | O-ring | | | |
| 33 | 1 | 788076 | Seal | | | |
| 34 | 1 | 780159 | Douille | | | |
| 36 | 1 | 790071 | Disque Frein | | | |
| 37 | 1 | 790007 | Brake pad plate | | | |
| 38 | 2 | 799021 | Frein | Sats 2 st/Pkg of 2 | | |
| 39 | 2 | 786026 | Goujon | | | |
| 40 | 1 | 792076 | Rondelle | | | |
| 41 | 1 | 790045 | Levier De Frein | | | |
| 42 | 2 | 792073 | Vis | | | |
| 43 | 1 | 792075 | Ecrou | | | |
| 44 | 1 | 790025 | Support | | | |
| 46 | 1 | 786086 | Etrier | | | |
| 47B | 1 | 774922 | Axe | ""16-3/16"" (411 mm)"" | | |
| 48B | 1 | 774923 | Axe | ""11"" (279 mm)"" | | |
| 49 | 1 | 778125 | Gear | 35T | | |
| 50 | 1 | 778250 | Gear | 27T | | |



Transmission

| Réf. N° | Q.té : | Code article | Description | Articles | De | Jusqu'à |
|---------|--------|--------------|----------------|--------------------|----|---------|
| 51 | 1 | 778122 | Engrenage | 22T | | |
| 52 | 1 | 778321 | Engrenage | 19T | | |
| 54 | 1 | 778263 | Gear | 11T | | |
| 56 | 1 | 778151 | Gear | 15T | | |
| 57 | 1 | 778249 | Gear | 23T | | |
| 58 | 1 | 778128 | Gear | 28T | | |
| 59 | 1 | 778129 | Gear | 30T | | |
| 61 | 1 | 778265 | Gear | 34T | | |
| 63 | 1 | 786155 | Entretoise | | | |
| 65A | 2 | 780160 | Rondelle | | | |
| 65 | 1 | 780162 | Rondelle | | | |
| 66 | 1 | 776299 | Input shaft | | | |
| 67 | 1 | 776352 | Brake shaft | | | |
| 69 | 1 | 780161 | Rondelle | | | |
| 71 | 1 | 788069 | Seal | | | |
| 72 | 1 | 786183 | Start switch | | | |
| 76 | 1 | 780090 | Rondelle | | | |
| 77 | 1 | 788078 | Anneau Ressort | Sats 2 St/Pkg of 2 | | |
| 79 | 1 | 792144 | Ressort | | | |
| 90 | 1 | 788067 | Grease | Bentonite | | |
| 150 | 1 | 510334 | Gasket Sealant | Loctite #515 | | |
| 161 | 1 | 776302 | Reverse idler | | | |
| 174 | 1 | 780085 | Needle bearing | | | |

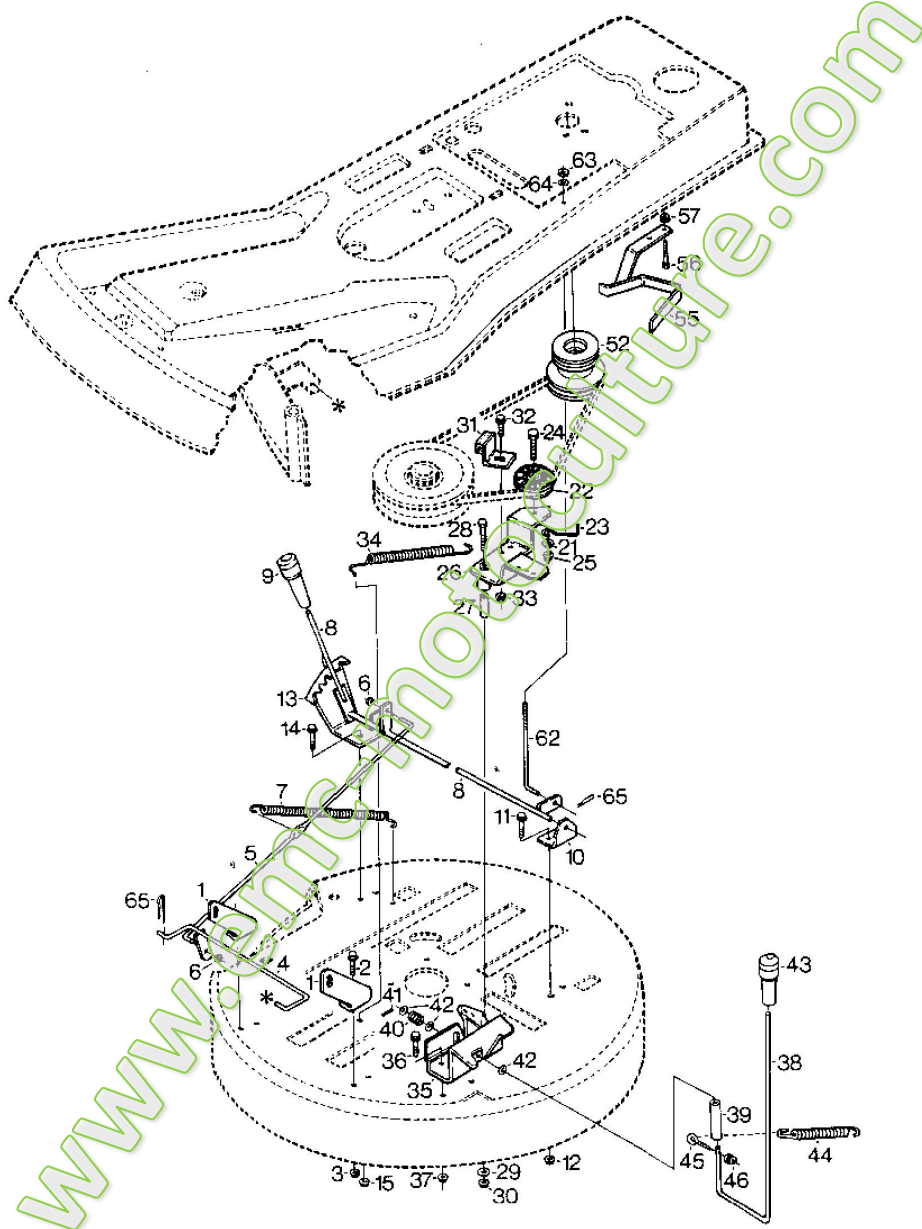
www.emc-motoculture.com



Système électrique

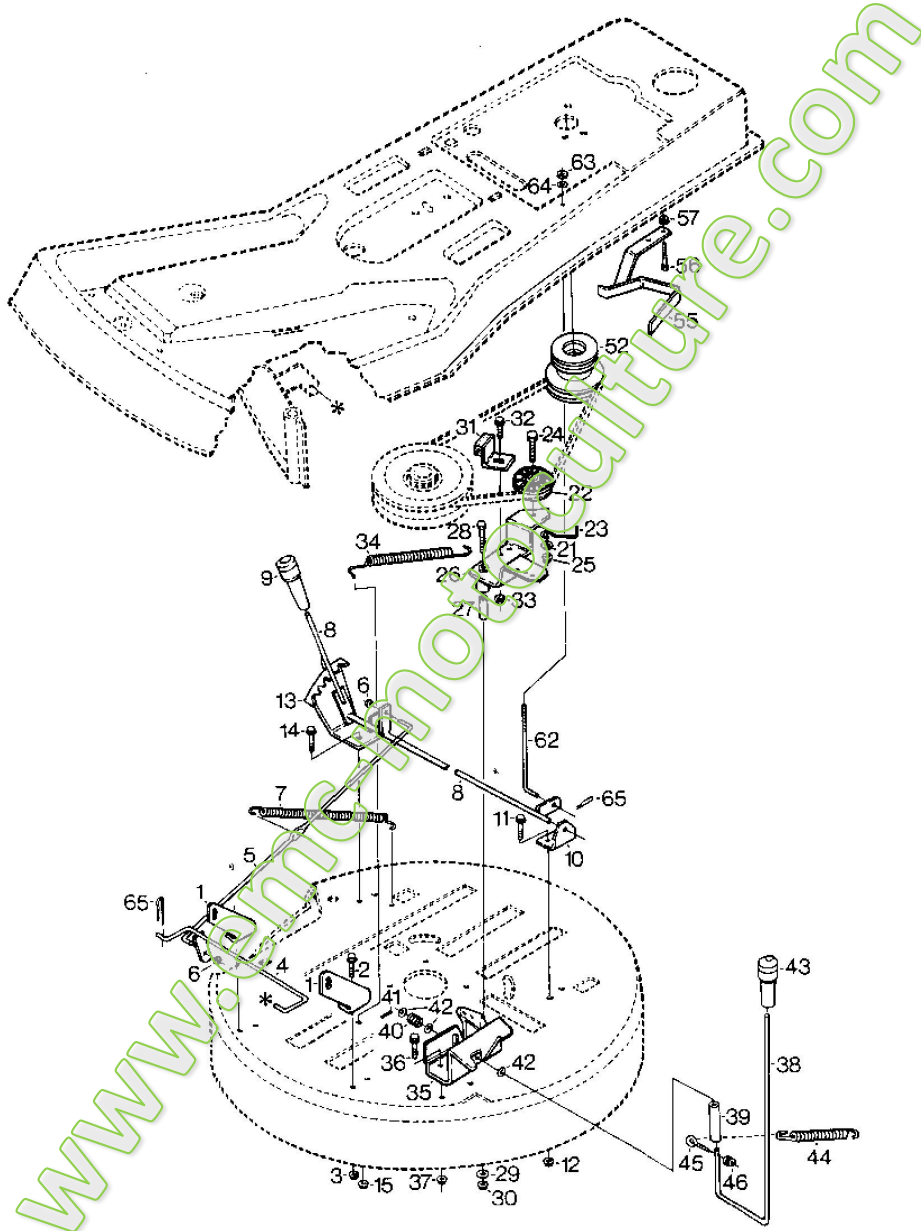
| Réf. N° | Q.té : | Code article | Description | Articles | De | Jusqu'à |
|---------|--------|--------------|-----------------------|-----------------|----|---------|
| 1 | 1 | 1134-3625-01 | Cablages | | | |
| 2 | 1 | 1134-3623-02 | Interlock Module | | | |
| 4 | 2 | 9849-8013-16 | Vis | | | |
| 5 | 2 | 1134-3132-01 | Support de câble | | | |
| 6 | 2 | 1134-3204-01 | Support de câble | | | |
| 7 | 2 | 9579-0003-00 | Fixation De Cable | | | |
| 8 | 2 | 1134-3203-01 | Caoutchouc | | | |
| 10 | 1 | 1134-2962-01 | Solenoid | | | |
| 11 | 2 | 9794-5131-02 | Ecrou | | | |
| 12 | 1 | 1134-1814-01 | Starter Switch Assy. | | | |
| 12B | 1 | 1134-2852-01 | Ecrou | | | |
| 12A | 1 | 1134-2853-01 | Rondelle | Ej ill/not ill. | | |
| 13 | 1 | 1134-2848-01 | Clef A Demarrage | | | |
| 16 | 1 | 1134-3205-01 | Batterie | | | |
| 17 | 1 | 1134-3164-01 | Support Batterie | | | |
| 18 | 2 | 9747-0831-02 | Ecrou Auto-Freinés | | | |
| 19 | 1 | 1134-3202-01 | Guard Cap | | | |
| 20 | 1 | 1134-2042-02 | Câble De Batterie | | | |
| 21 | 1 | 1134-0234-02 | Câble De Batterie (+) | | | |
| 22 | 1 | 1134-2167-01 | Cable | | | |
| 23 | 1 | 1134-3300-01 | Battery Acid | 2 x 0.85 liter | | |
| 24 | 1 | 1134-3399-02 | Interrupteur | | | |
| 25 | 2 | 9849-8013-16 | Vis | | | |
| 26 | 1 | 1134-3156-01 | Interrupteur | | | |
| 29 | 1 | 9795-3531-02 | Ecrou | | | |
| 32 | 1 | 9699-0060-02 | Rondelle | | | |
| 34 | 1 | 9400-0276-00 | Terminal Plug | | | |

www.emc-motoculture.com



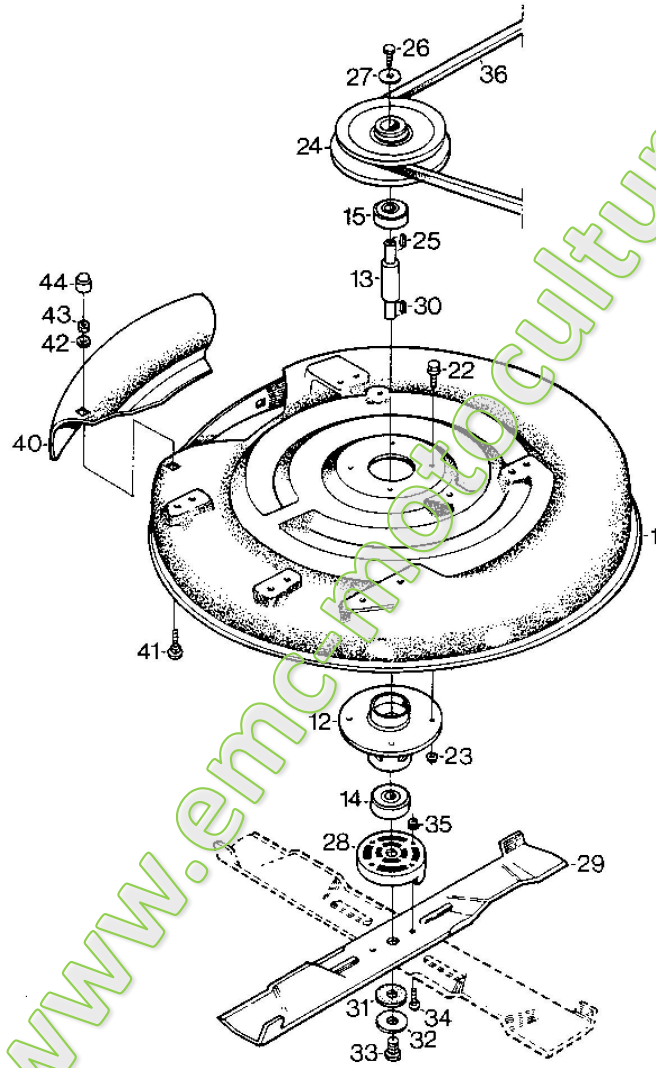
PTO

| Réf. N° | Q.té : | Code article | Description | Articles | De | Jusqu'à |
|---------|--------|--------------|----------------------------------|----------|----|---------|
| 1 | 2 | 1134-3187-01 | Equerre | | | |
| 2 | 4 | 9959-0816-16 | Vis | | | |
| 3 | 4 | 9739-0831-22 | Ecrou | | | |
| 4 | 1 | 1134-3189-01 | Lifting Shaft | | | |
| 5 | 1 | 1134-3131-01 | Tige | | | |
| 6 | 2 | 9675-0015-02 | Starlock | | | |
| 7 | 1 | 1111-1842-01 | Ressort | | | |
| 8 | 1 | 1134-3129-01 | Levier Soulevement Plateau Coupe | | | |
| 9 | 1 | 1134-3193-01 | Levier | | | |
| 10 | 1 | 1134-3127-01 | Equerre | | | |
| 11 | 2 | 9959-0816-16 | Vis | | | |
| 12 | 2 | 9739-0831-22 | Ecrou | | | |
| 13 | 1 | 1134-3128-01 | Plaque de réglage, Hauteur | | | |
| 14 | 2 | 9959-0816-16 | Vis | | | |
| 15 | 2 | 9739-0831-22 | Ecrou | | | |
| 21 | 1 | 9699-0062-02 | Rondelle | | | |
| 22 | 1 | 1134-4495-01 | Tension roller | | | |
| 22 | 1 | 1134-9027-01 | Tension Roller (Black) | | | |
| 23 | 1 | 1134-1795-02 | Guide Curroire | | | |
| 24 | 1 | 9924-0840-19 | Vis | | | |
| 25 | 1 | 9739-0831-22 | Ecrou | | | |
| 26 | 1 | 1134-3676-01 | Tension Arm | | | |
| 27 | 1 | 1134-1565-01 | Entretoise | | | |
| 28 | 1 | 9997-0845-12 | Vis | | | |
| 29 | 1 | 9699-0090-02 | Rondelle | | | |
| 30 | 1 | 9739-0831-22 | Ecrou | | | |
| 31 | 1 | 1134-1999-01 | Brake Pad | | | |
| 32 | 1 | 9959-0816-16 | Vis | | | |
| 33 | 1 | 9739-0831-22 | Ecrou | | | |
| 34 | 1 | 1134-3211-01 | Ressort | | | |
| 35 | 1 | 1134-3560-01 | Levier | | | |
| 36 | 2 | 9959-0816-16 | Vis | | | |
| 37 | 2 | 9739-0831-22 | Ecrou | | | |
| 38 | 1 | 1134-3207-01 | Levier | | | |
| 39 | 1 | 1134-2849-03 | Rubber Hose (60 Mm) | | | |
| 40 | 1 | 1134-3213-01 | Ressort | | | |
| 41 | 1 | 9595-0209-00 | Pivot | | | |
| 42 | 3 | 1111-1456-01 | Rondelle | | | |
| 43 | 1 | 1134-3193-01 | Levier | | | |
| 44 | 1 | 1134-3212-01 | Ressort | | | |
| 44 | 1 | 1134-3648-01 | Ressort | | | |
| 45 | 1 | 1134-1889-01 | Boulon | | | |
| 46 | 1 | 9747-0631-02 | Ecrou Auto-Freinés | | | |
| 52 | 1 | 1134-3651-01 | Moteur Poulie | | | |
| 55 | 1 | 1134-3172-02 | Guide Curroire | | | |
| 56 | 2 | 9997-0855-12 | Vis | | | |
| 57 | 2 | 9739-0831-22 | Ecrou | | | |
| 62 | 2 | 1134-3133-01 | Equerre | | | |



| Réf. N° | Q.té : | Code article | Description | Articles | De | Jusqu'à |
|---------|--------|--------------|--------------------|----------|----|---------|
| 63 | 2 | 9747-0831-02 | Ecrou Auto-Freinés | | | |
| 64 | 2 | 9699-0090-02 | Rondelle | | | |
| 65 | 3 | 9598-0002-02 | Goupille Élastique | | | |

www.emc-motoculture.com



Mower Deck Combi

| Réf. N° | Q.té : | Code article | Description | Articles | De | Jusqu'à |
|---------|--------|--------------|--------------------|----------------|----|---------|
| 1 | 1 | 1134-3934-01 | Mower Deck (Combi) | | | |
| 12 | 1 | 1134-2147-01 | Roulement | | | |
| 13 | 1 | 1134-2083-01 | Arbre Lame | | | |
| 14 | 1 | 9549-0014-00 | Roulement À Billes | | | |
| 15 | 1 | 9549-0027-00 | Roulement À Billes | | | |
| 22 | 4 | 9959-0820-16 | Vis | | | |
| 23 | 4 | 9739-0831-22 | Ecrou | | | |
| 24 | 1 | 1134-3183-01 | Poulie | D = 184 mm | | |
| 25 | 1 | 1134-0323-00 | Clavette | | | |
| 26 | 1 | 9991-1024-19 | Vis | | | |
| 27 | 1 | 9699-0030-02 | Rondelle | | | |
| 28 | 1 | 1134-3744-01 | Support De Lame | | | |
| 29 | 2 | 1134-3935-01 | Lame | | | |
| 30 | 1 | 1134-0323-00 | Clavette | | | |
| 31 | 1 | 1134-3544-01 | Rondelle | | | |
| 32 | 1 | 9699-0109-02 | Rondelle | | | |
| 33 | 1 | 9991-1024-19 | Vis | | | |
| 34 | 4 | 9997-0835-12 | Vis | | | |
| 35 | 4 | 9739-0831-22 | Ecrou | | | |
| 36 | 1 | 1134-9048-01 | Courroie | = 9585-0122-00 | | |
| 40 | 1 | 1134-3932-01 | Couvercle | | | |
| 41 | 3 | 9897-0616-16 | Vis | | | |
| 42 | 3 | 9699-0060-02 | Rondelle | | | |
| 42 | 3 | 9699-0090-02 | Rondelle | | | |
| 43 | 3 | 9747-0631-02 | Ecrou Auto-Freinés | | | |
| 44 | 3 | 9403-0113-01 | Ecrou | | | |

www.emc-motoculture.com