

# RS 44

# GR 41,50

# RS 44 (EPA)

# GR 41,50 (EPA)

Spare parts

Ersatzteile

Pièces détachées

Reserve onderdelen

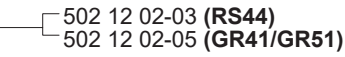
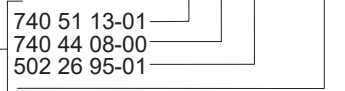
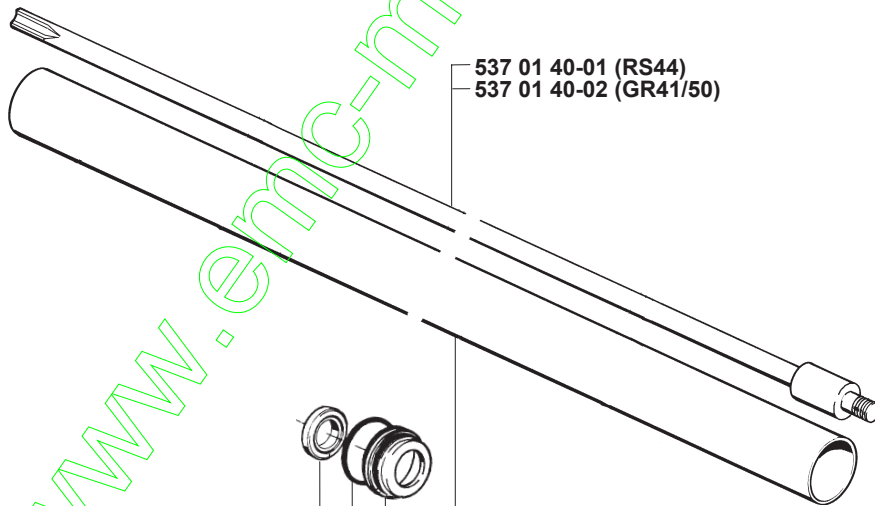
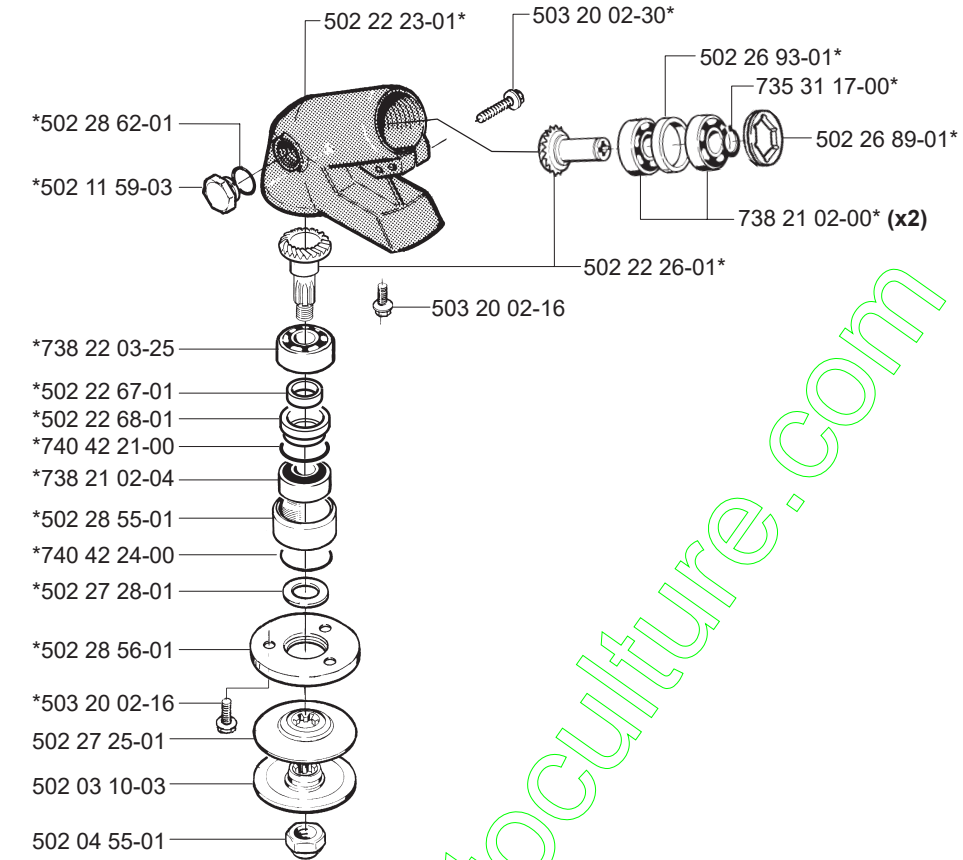
Repuestos

Reservdelar

[www.emc-motoculture.com](http://www.emc-motoculture.com)

**A**

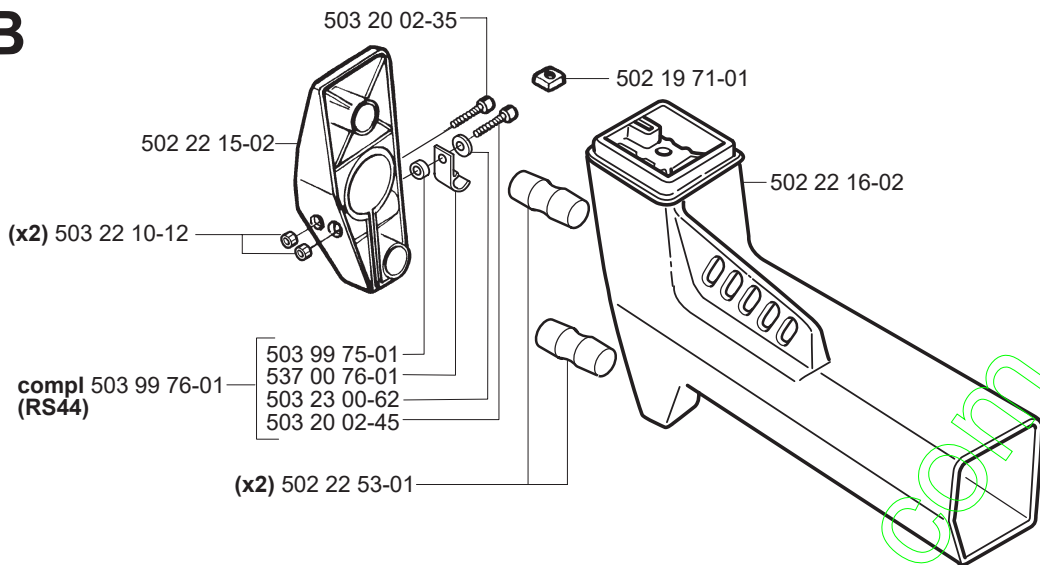
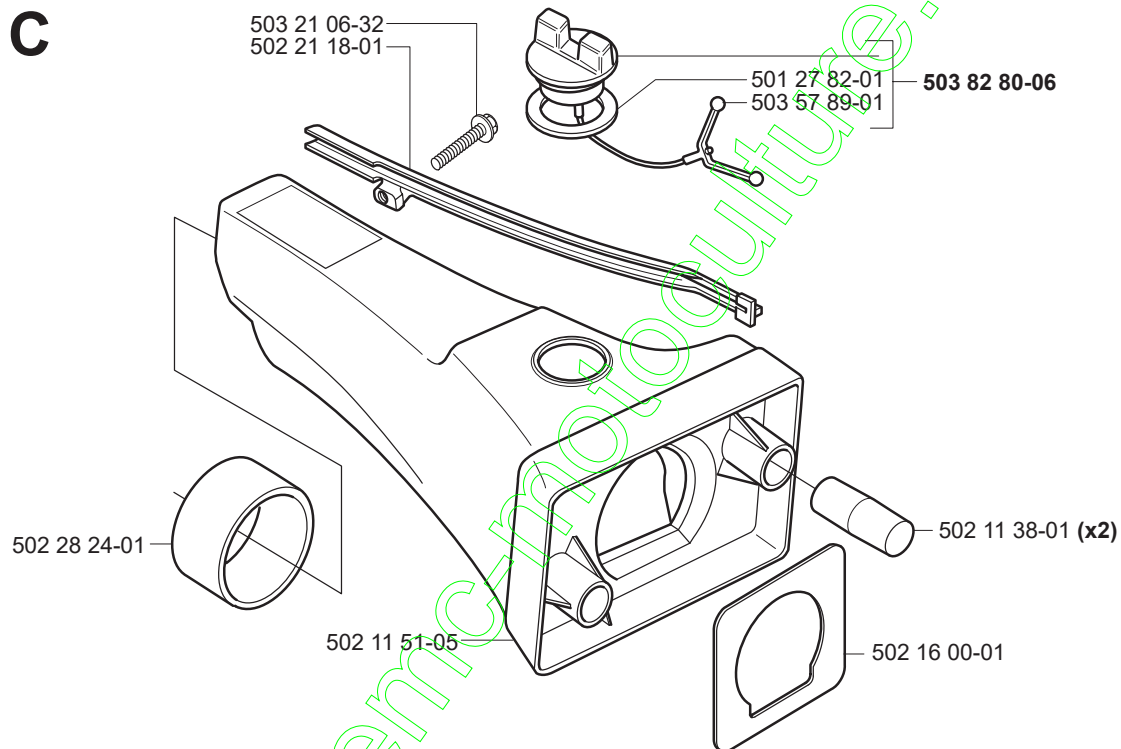
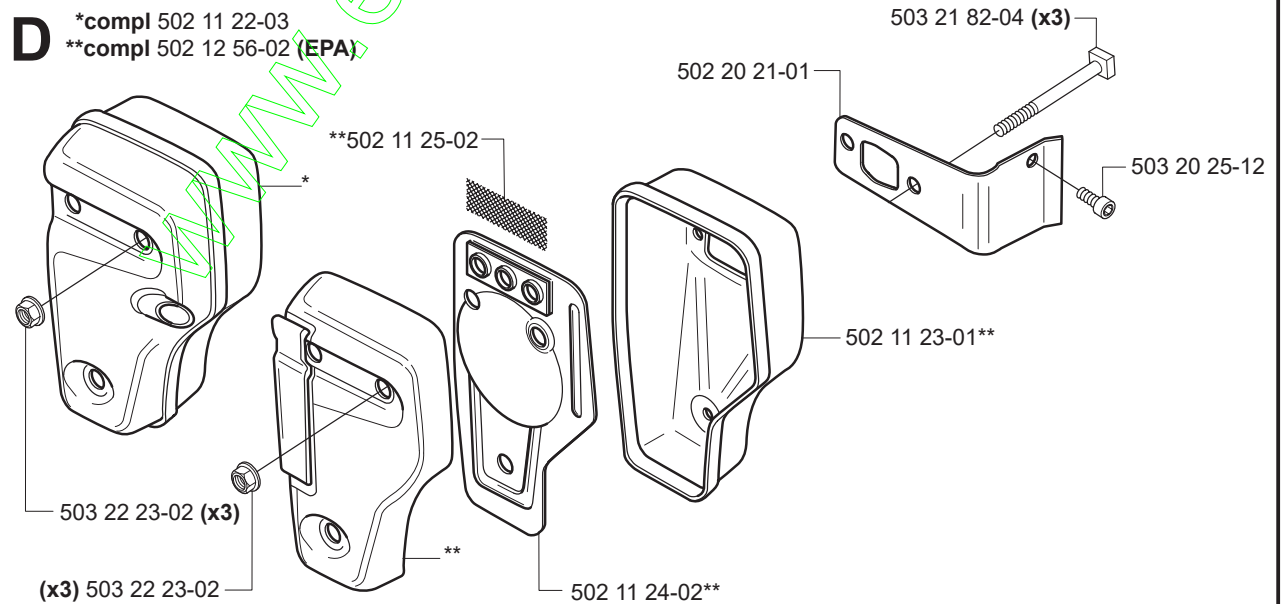
\*compl 502 28 57-02



537 02 76-02

www.emc-motoculture.com

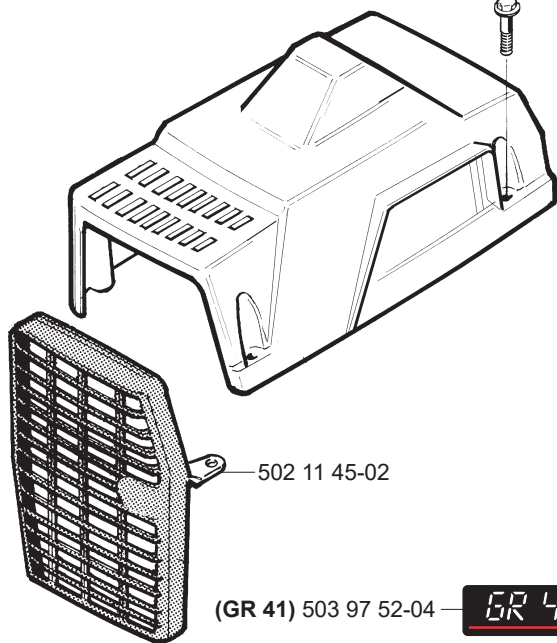


**B****C****D**

**E**

\*compl 502 12 23-07

\*503 20 09-20



(GR 41) 503 97 52-04 **GR 41**

(GR 50) 503 97 52-03 **GR 50**

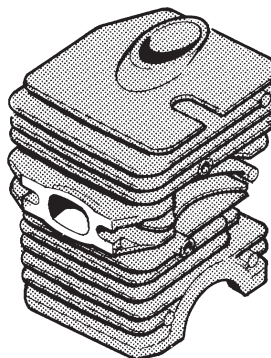
(RS 44) 503 97 52-02 **RS 44**

**F**

\*compl 503 44 08-02 (RS44)

\*compl 506 01 06-07 (GR41)

\*compl 503 62 55-02 (GR50)



\*503 44 10-01 (RS44)

\*503 48 90-01 (GR41)

\*503 62 56-01 (GR50)

503 28 90-05 (RS44)

503 28 90-03 (GR41)

503 28 90-10 (GR50)

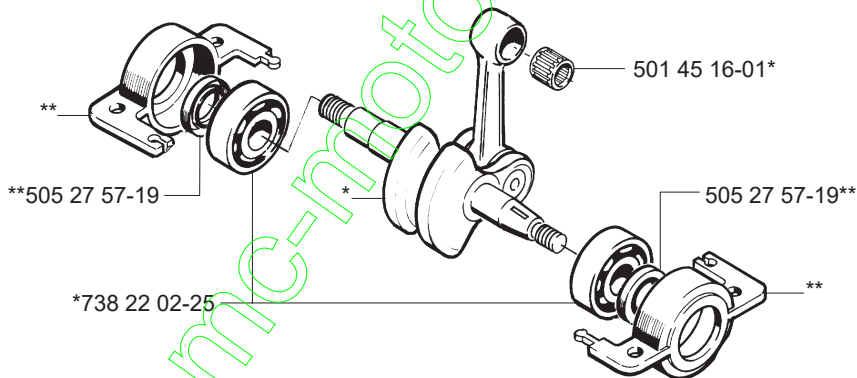
737 44 10-00

\*501 45 16-01

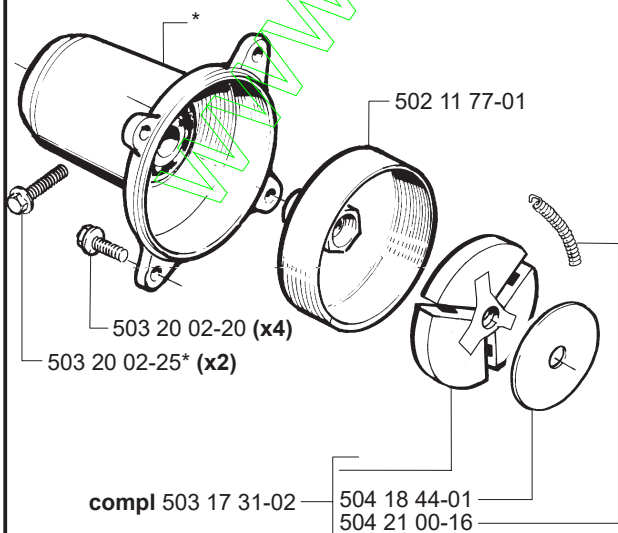
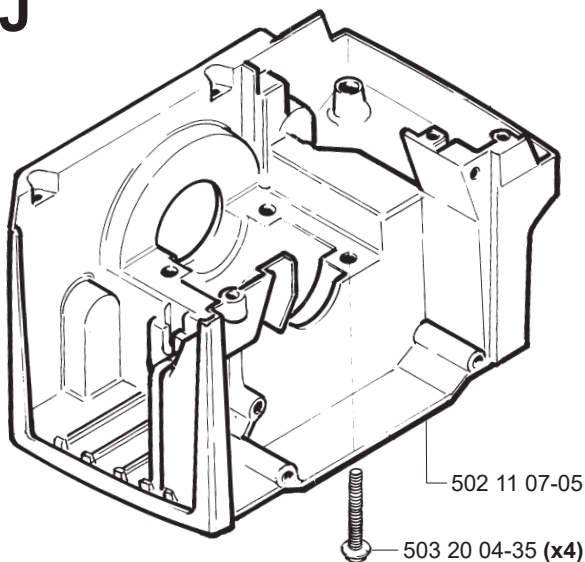
**G**

\*compl 503 57 38-06

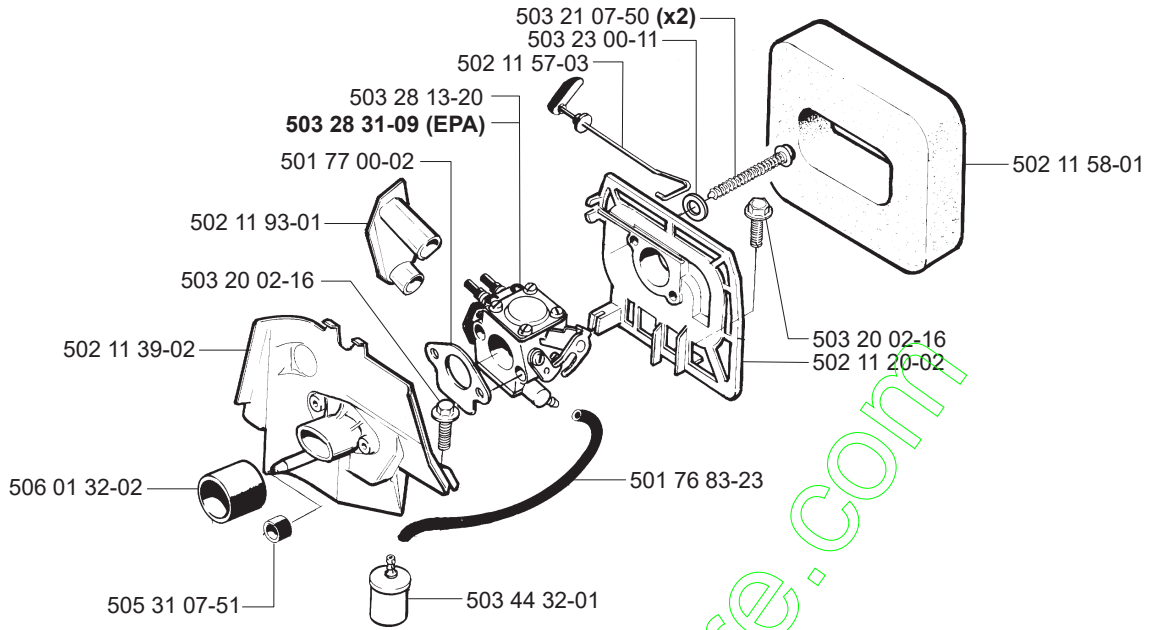
\*\*compl 502 23 02-01

**H**

\*compl 502 11 52-01

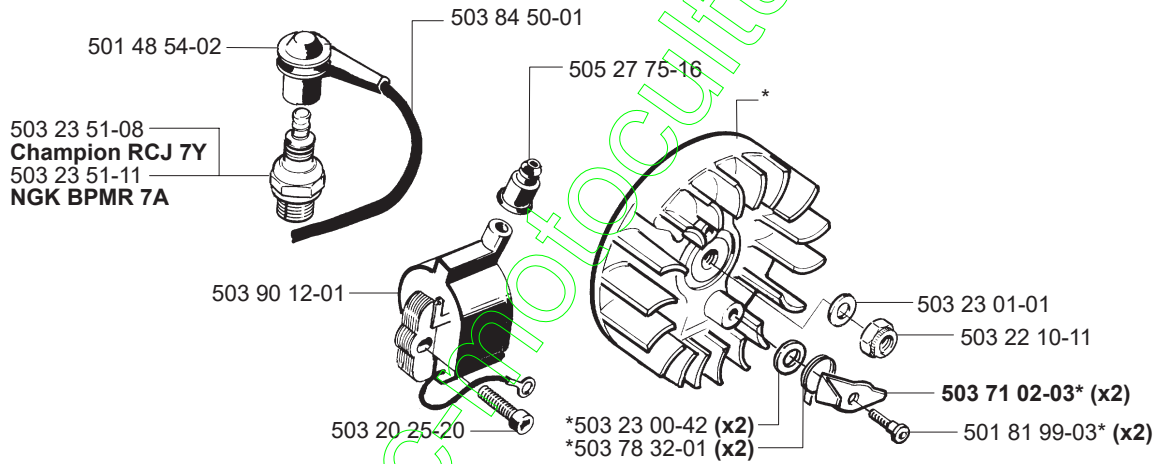
**J**

# K



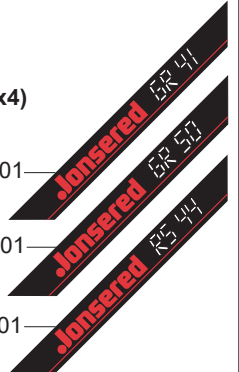
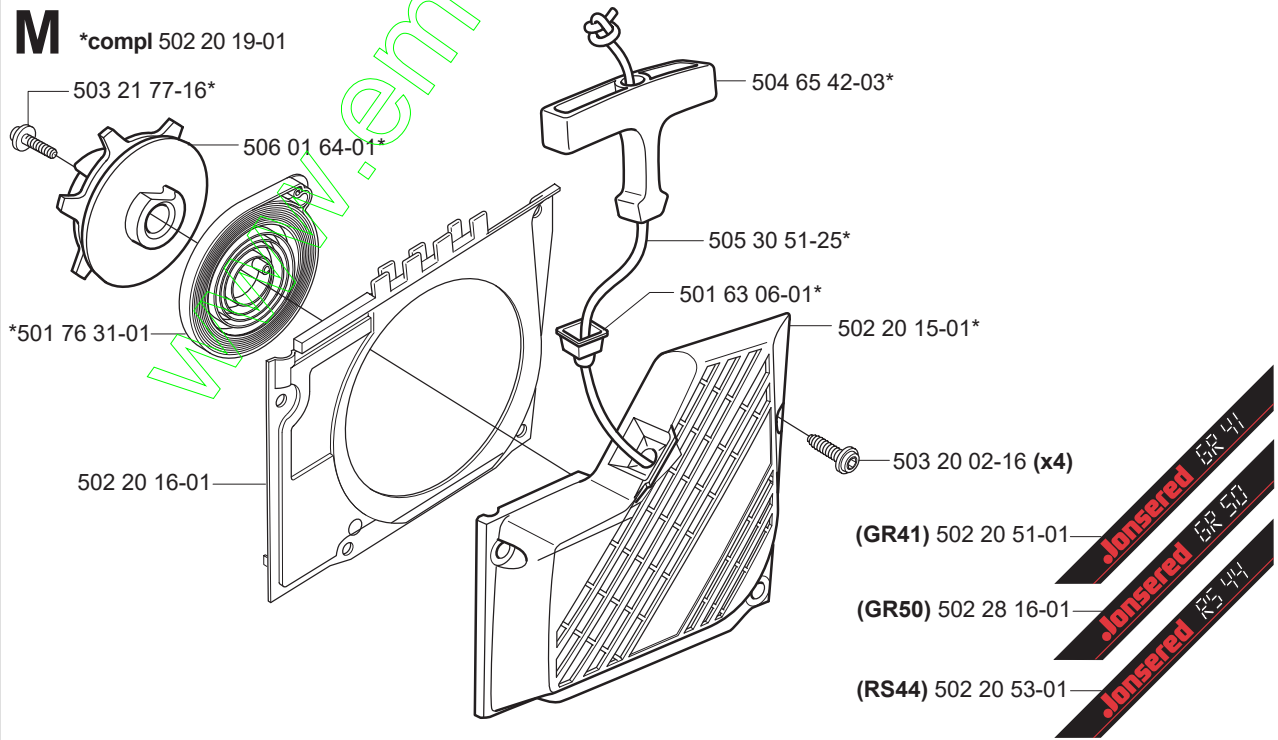
# L

\*compl 503 79 00-02



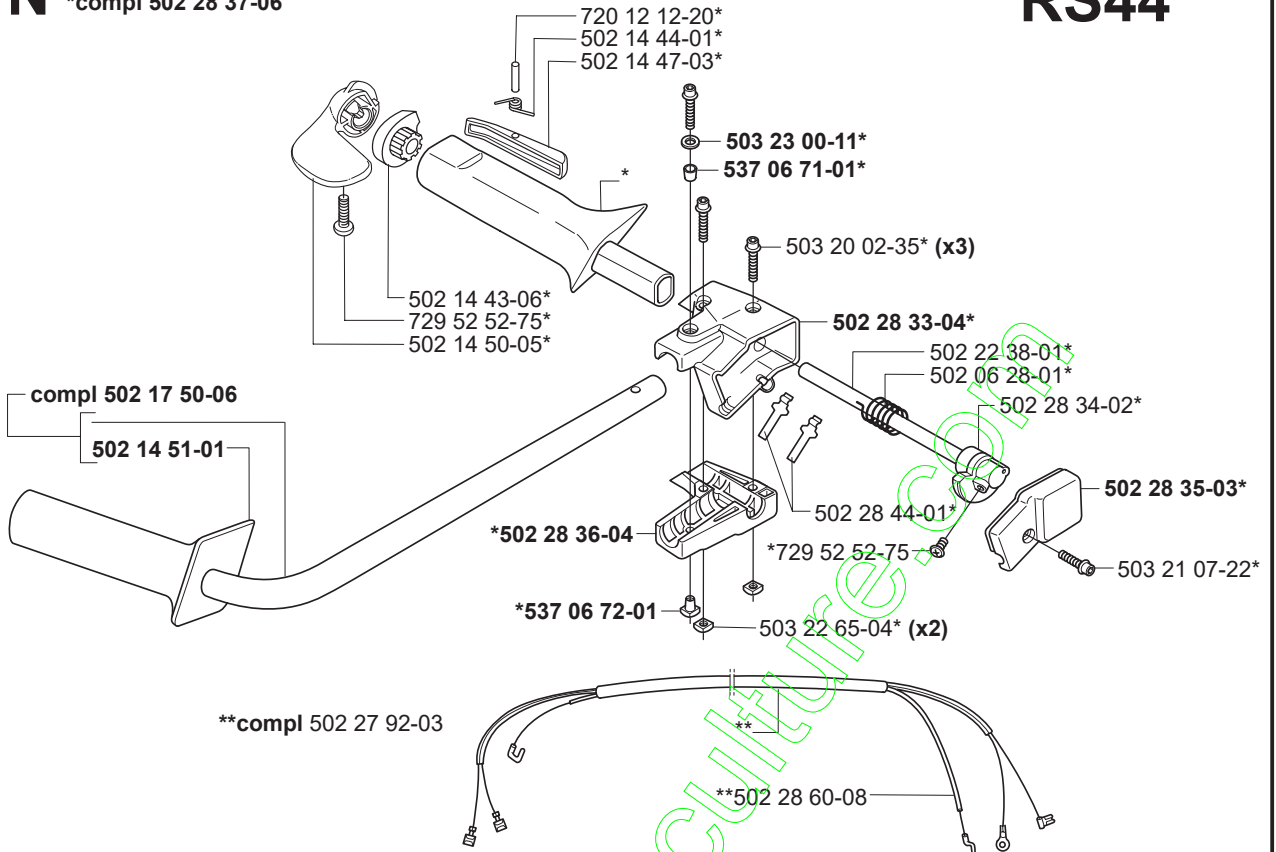
# M

\*compl 502 20 19-01



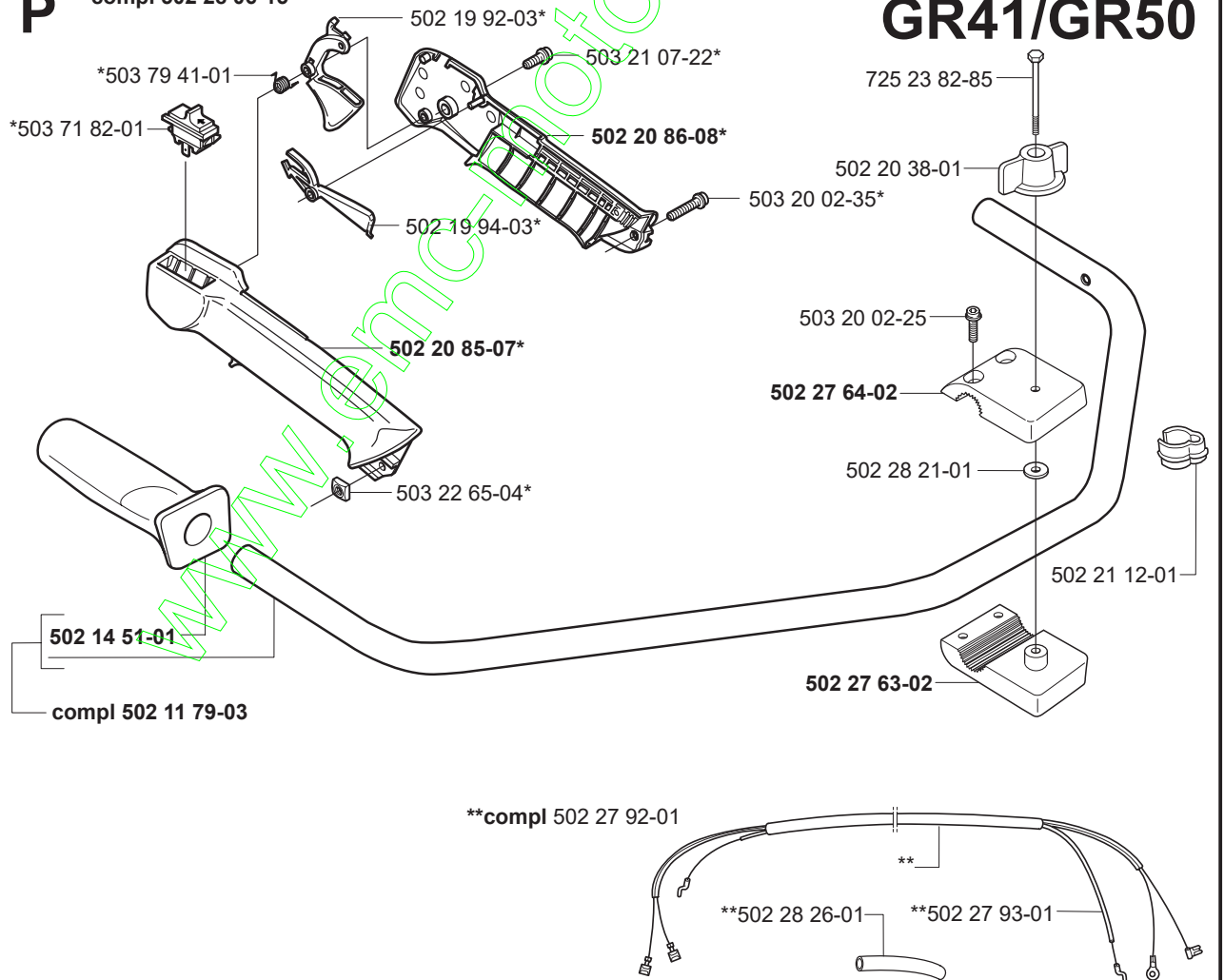
**N** \*compl 502 28 37-06

**RS44**



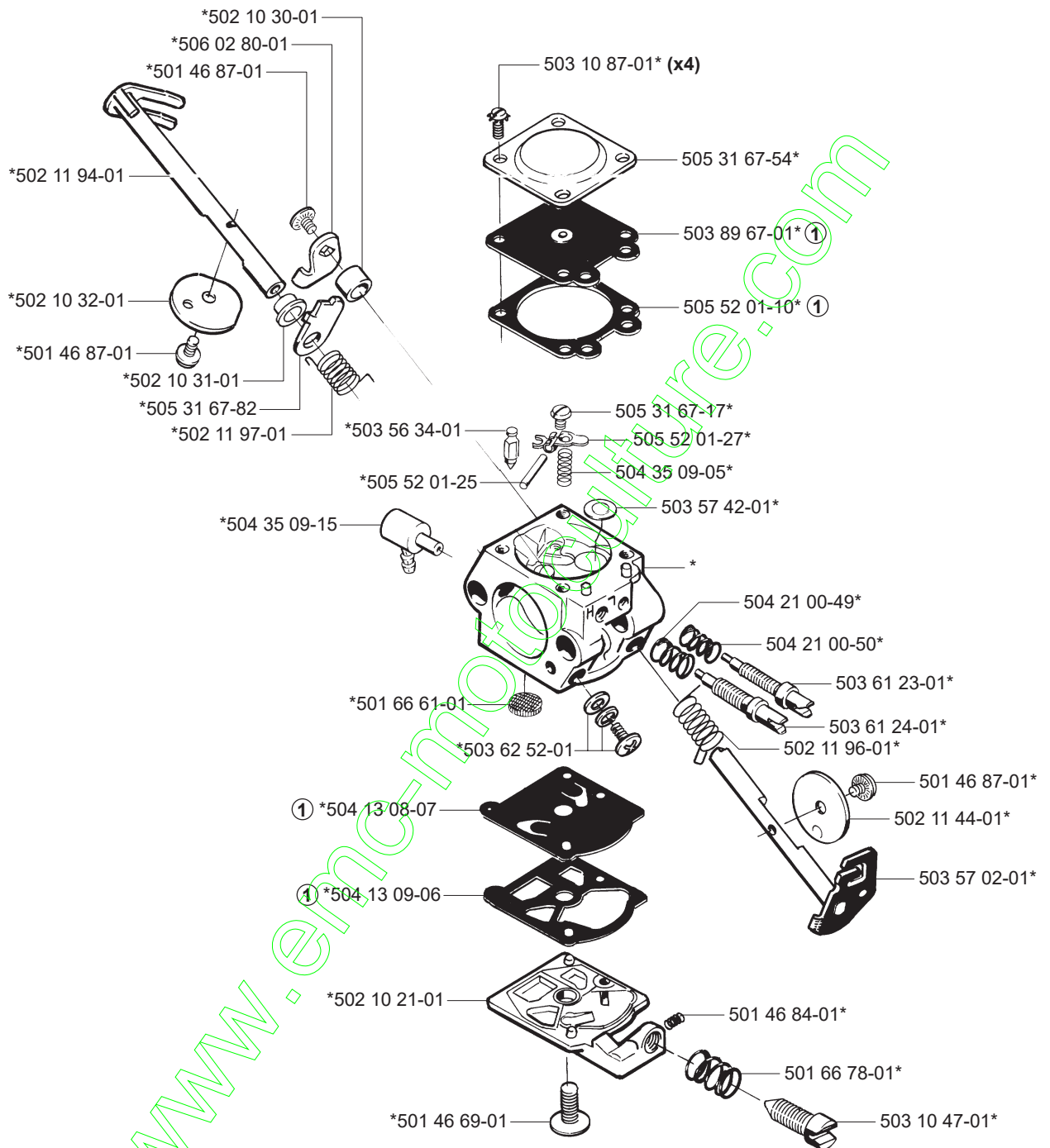
**P** \*compl 502 28 06-15

**GR41/GR50**



**Q**

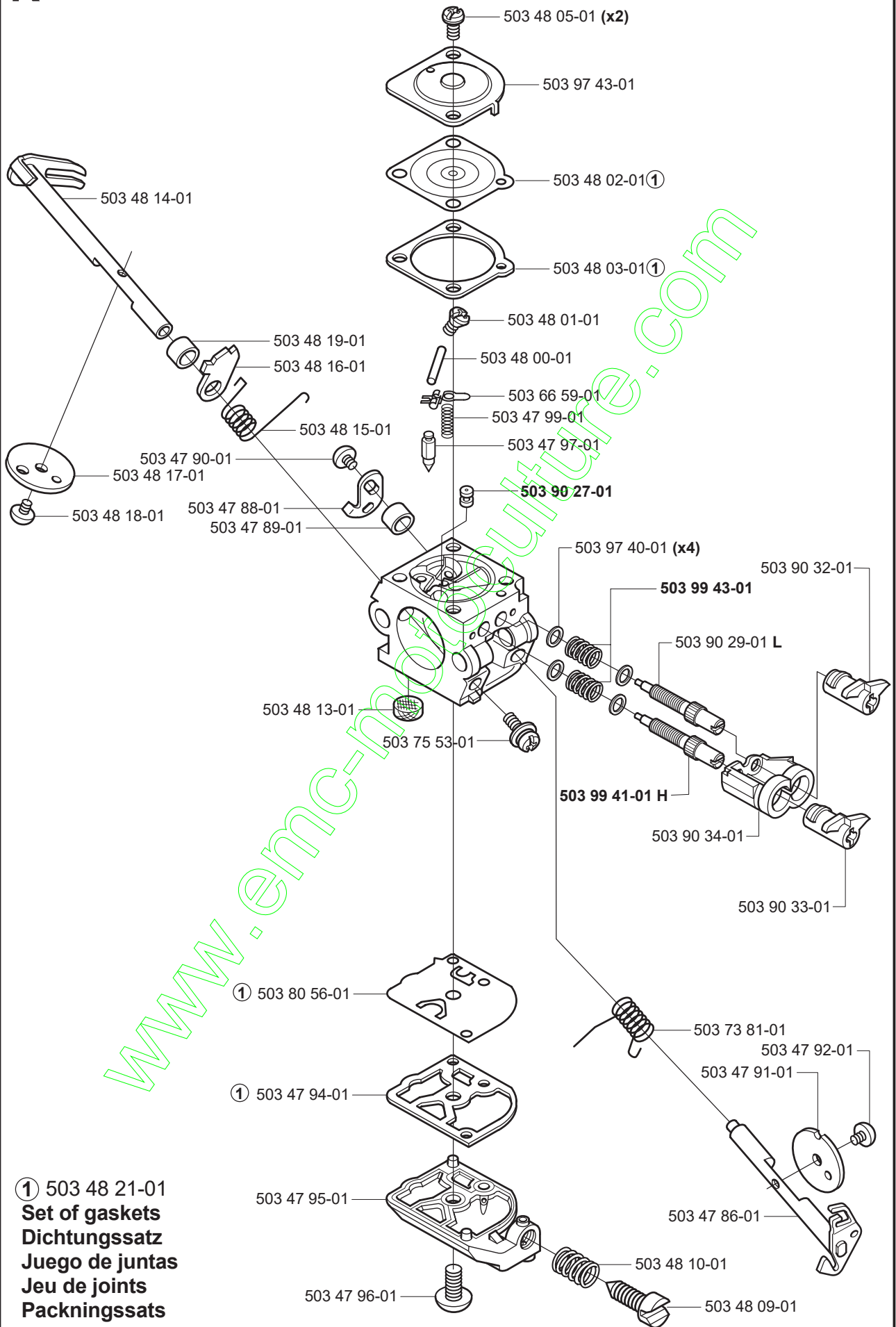
\* compl 503 28 13-20

**Walbro WT 99**

① 502 10 35-01  
**Set of gaskets**  
**Dichtungssatz**  
**Juego de juntas**  
**Jeu de joints**  
**Packningssats**

**R**

compl 503 28 31-09

**ZAMA C1Q - EL 10 (EPA)**

① 503 48 21-01  
**Set of gaskets**  
**Dichtungssatz**  
**Juego de juntas**  
**Jeu de joints**  
**Packningssats**

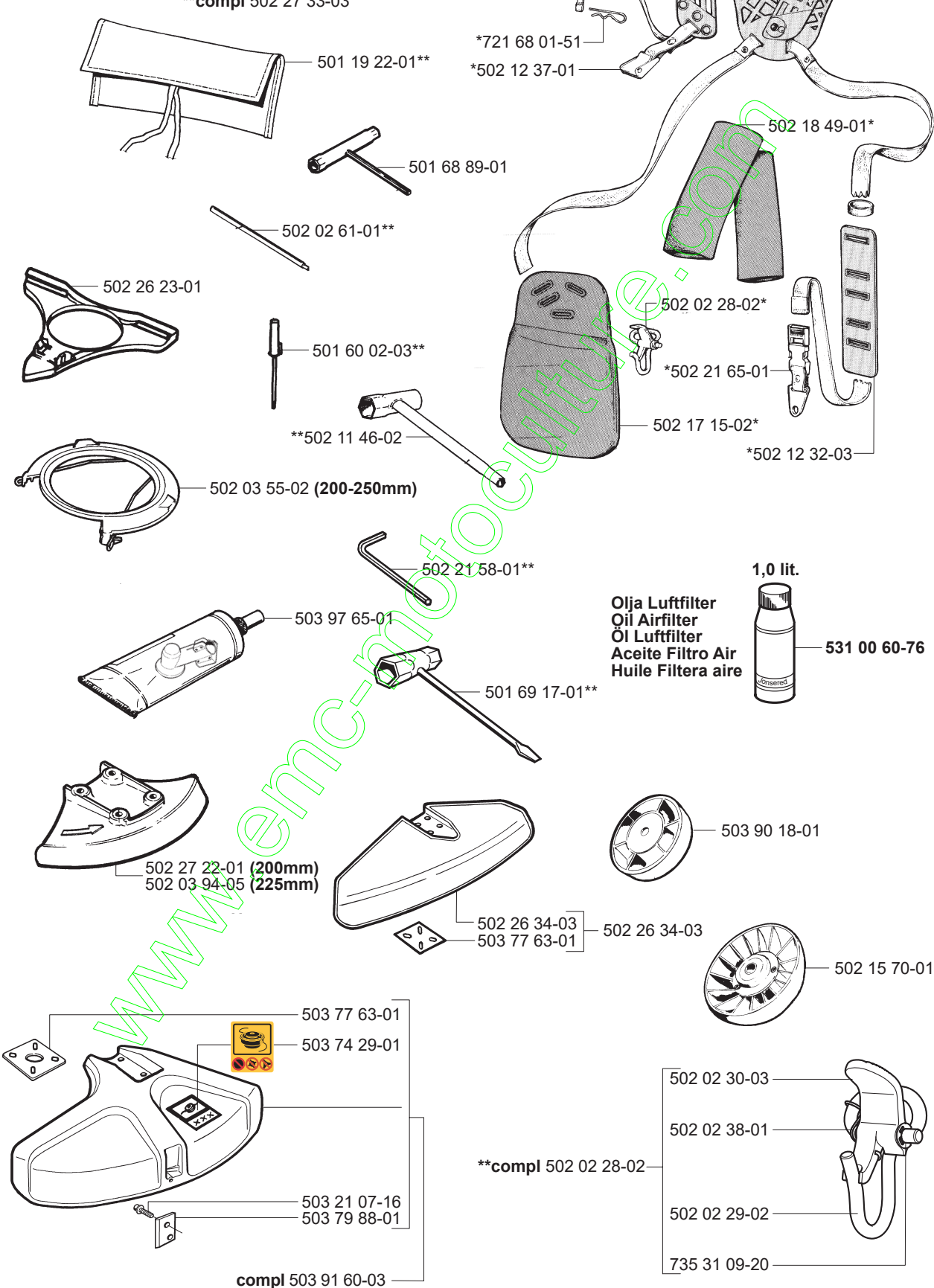


# S

## Accessories Zubehöre Accessoires Accesorios Tillbehör

\*compl 502 12 36-03  
\*compl 502 12 36-05 USA

\*\*compl 502 27 33-03



compl 503 91 60-03

\*\*compl 502 02 28-02

Olja Luffilter  
Oil Airfilter  
Öl Luftfilter  
Aceite Filtro Air  
Huile Filtera aire

1,0 lit.

531 00 60-76

502 27 22-01 (200mm)  
502 03 94-05 (225mm)

502 02 61-01\*\*

\*\*502 11 46-02

502 21 58-01\*\*

501 69 17-01\*\*

\*502 12 32-03

502 02 28-02\*

\*502 21 65-01

502 17 15-02\*

502 18 49-01\*

\*721 68 01-51

\*502 12 37-01

501 68 89-01

502 26 23-01

501 60 02-03\*\*

502 03 55-02 (200-250mm)

502 27 22-01 (200mm)  
502 03 94-05 (225mm)

503 90 18-01

502 26 34-03  
503 77 63-01

502 15 70-01

503 77 63-01

503 74 29-01

503 21 07-16

503 79 88-01

502 02 30-03

502 02 38-01

502 02 29-02

735 31 09-20

RS 44, GR 41,50, RS 44 (EPA), GR 41,50 (EPA)

PART NUMBER	SQUARE NOTE	PART NUMBER	SQUARE NOTE	PART NUMBER	SQUARE NOTE	PART NUMBER	SQUARE NOTE
501 19 22-01	S	502 17 50-06	N N	503 21 06-32	C	503 79 88-01	S
501 27 82-01	C	502 18 49-01	S	503 21 07-16	S	503 80 56-01	R N
501 45 16-01	FG	502 19 71-01	B	503 21 07-22	NP	503 82 80-06	C
501 46 69-01	Q	502 19 92-03	P	503 21 77-16	M	503 84 50-01	L
501 46 84-01	Q	502 19 94-03	P	503 21 82-04	D N	503 89 67-01	Q N
501 46 87-01	Q	502 20 15-01	M	503 22 10-11	L	503 90 12-01	L N
501 48 54-02	L	502 20 16-01	M	503 22 10-12	B	503 90 18-01	S
501 60 02-03	S	502 20 19-01	M	503 22 23-02	D N	503 90 27-01	R N
501 63 06-01	M	502 20 21-01	D	503 22 65-04	NP	503 90 29-01	R N
501 66 61-01	Q	502 20 38-01	P	503 23 00-11	KN N	503 90 32-01	R N
501 66 78-01	Q	502 20 51-01	M	503 23 00-42	L	503 90 33-01	R N
501 68 89-01	S	502 20 53-01	M	503 23 00-62	B	503 90 34-01	R N
501 69 17-01	S	502 20 85-07	P N	503 23 01-01	L	503 91 60-03	S
501 76 31-01	M	502 20 86-08	P N	503 23 51-08	L	503 97 40-01	R N
501 76 83-23	K	502 21 12-01	P	503 23 51-11	L N	503 97 43-01	R N
501 77 00-02	K	502 21 18-01	C	503 28 13-20	KQ	503 97 52-02	E
501 81 99-03	L	502 21 58-01	S	503 28 31-09	KR N	503 97 52-03	E
502 02 28-02	S	502 21 65-01	S	503 28 90-03	F	503 97 52-04	E
502 02 29-02	S N	502 22 15-02	B	503 28 90-05	F	503 97 65-01	S
502 02 30-03	S N	502 22 16-02	B	503 28 90-10	F	503 99 41-01	R N
502 02 38-01	S N	502 22 23-01	A	503 44 08-02	F	503 99 43-01	R N
502 02 61-01	S	502 22 26-01	A	503 44 10-01	F	503 99 75-01	B
502 03 10-03	A	502 22 38-01	N	503 44 32-01	K	503 99 76-01	B
502 03 55-02	S	502 22 53-01	B	503 47 86-01	R N	504 13 08-07	Q
502 03 94-05	S	502 22 67-01	A	503 47 88-01	R N	504 13 09-06	Q
502 04 55-01	A	502 22 68-01	A	503 47 89-01	R N	504 18 44-01	H
502 06 28-01	N	502 23 02-01	G	503 47 90-01	R N	504 21 00-16	H
502 10 21-01	Q	502 26 23-01	S	503 47 91-01	R N	504 21 00-49	Q
502 10 30-01	Q	502 26 34-03	S	503 47 92-01	R N	504 21 00-50	Q
502 10 31-01	Q	502 26 89-01	A	503 47 94-01	R N	504 35 09-05	Q
502 10 32-01	Q	502 26 93-01	A	503 47 95-01	R N	504 35 09-15	Q N
502 10 35-01	Q	502 26 95-01	A	503 47 96-01	R N	504 65 42-03	M
502 11 07-05	J	502 27 22-01	S	503 47 97-01	R N	505 27 57-19	G
502 11 20-02	K	502 27 25-01	A	503 47 99-01	R N	505 27 75-16	L
502 11 22-03	D	502 27 28-01	A	503 48 00-01	R N	505 30 51-25	M
502 11 23-01	D	502 27 33-03	S	503 48 01-01	R N	505 31 07-51	K
502 11 24-02	D N	502 27 63-02	P	503 48 02-01	R N	505 31 67-17	Q
502 11 25-02	D	502 27 64-02	P	503 48 03-01	R N	505 31 67-54	Q
502 11 38-01	C	502 27 92-01	P	503 48 05-01	R N	505 31 67-82	Q
502 11 39-02	K	502 27 92-03	N	503 48 09-01	R N	505 52 01-10	Q
502 11 44-01	Q	502 27 93-01	P	503 48 10-01	R N	505 52 01-25	Q
502 11 45-02	E	502 28 06-15	P N	503 48 13-01	R N	505 52 01-27	Q
502 11 46-02	S	502 28 16-01	M	503 48 14-01	R N	506 01 06-07	F
502 11 51-05	C	502 28 21-01	P	503 48 15-01	R N	506 01 32-02	K
502 11 52-01	H	502 28 24-01	C	503 48 16-01	R N	506 01 64-01	M
502 11 57-03	K	502 28 26-01	P	503 48 17-01	R N	506 02 80-01	Q
502 11 58-01	K	502 28 33-04	N N	503 48 18-01	R N	531 00 60-76	S N
502 11 59-03	A	502 28 34-02	N	503 48 19-01	R N	537 00 76-01	B
502 11 77-01	H	502 28 35-03	N N	503 48 21-01	R N	537 01 40-01	A
502 11 79-03	P N	502 28 36-04	N N	503 48 90-01	F	537 01 40-02	A
502 11 93-01	K	502 28 37-06	N N	503 56 34-01	Q	537 02 76-02	A
502 11 94-01	Q	502 28 44-01	N	503 57 02-01	Q	537 06 71-01	N N
502 11 96-01	Q	502 28 55-01	A	503 57 38-06	G	537 06 72-01	N
502 11 97-01	Q	502 28 56-01	A	503 57 42-01	Q	720 12 12-20	N
502 12 02-03	A	502 28 57-02	A	503 57 89-01	C	721 68 01-51	S
502 12 02-05	A	502 28 60-08	N	503 61 23-01	Q N	725 23 82-85	P
502 12 23-07	E	502 28 62-01	A	503 61 24-01	Q N	729 52 52-75	N
502 12 32-03	S	503 10 47-01	Q	503 62 52-01	Q	735 31 09-20	S N
502 12 36-03	S	503 10 87-01	Q	503 62 55-02	F	735 31 17-00	A
502 12 36-05	S	503 17 31-02	H	503 62 56-01	F	737 44 10-00	F
502 12 37-01	S	503 20 02-16	AKM	503 66 59-01	R	738 21 02-00	A
502 12 56-02	D	503 20 02-20	H	503 71 02-03	L N	738 21 02-04	A
502 14 43-06	N	503 20 02-25	HP	503 71 82-01	P	738 22 02-25	G
502 14 44-01	N	503 20 02-30	A	503 73 81-01	R N	738 22 03-25	A
502 14 47-03	N	503 20 02-35	BNP	503 74 29-01	S	740 42 21-00	A
502 14 50-05	N	503 20 02-45	B	503 75 53-01	R N	740 42 24-00	A
502 14 51-01	NP N	503 20 04-35	J	503 77 63-01	S	740 44 08-00	A
502 15 70-01	S	503 20 09-20	E	503 78 32-01	L	740 51 13-01	A
502 16 00-01	C	503 20 25-12	D	503 79 00-02	L		
502 17 15-02	S	503 20 25-20	L	503 79 41-01	P		

N = New part  
 Neues teil  
 Nouvelle piece  
 Nueva pieza  
 Ny detalj