



HEDGE TRIMMERS

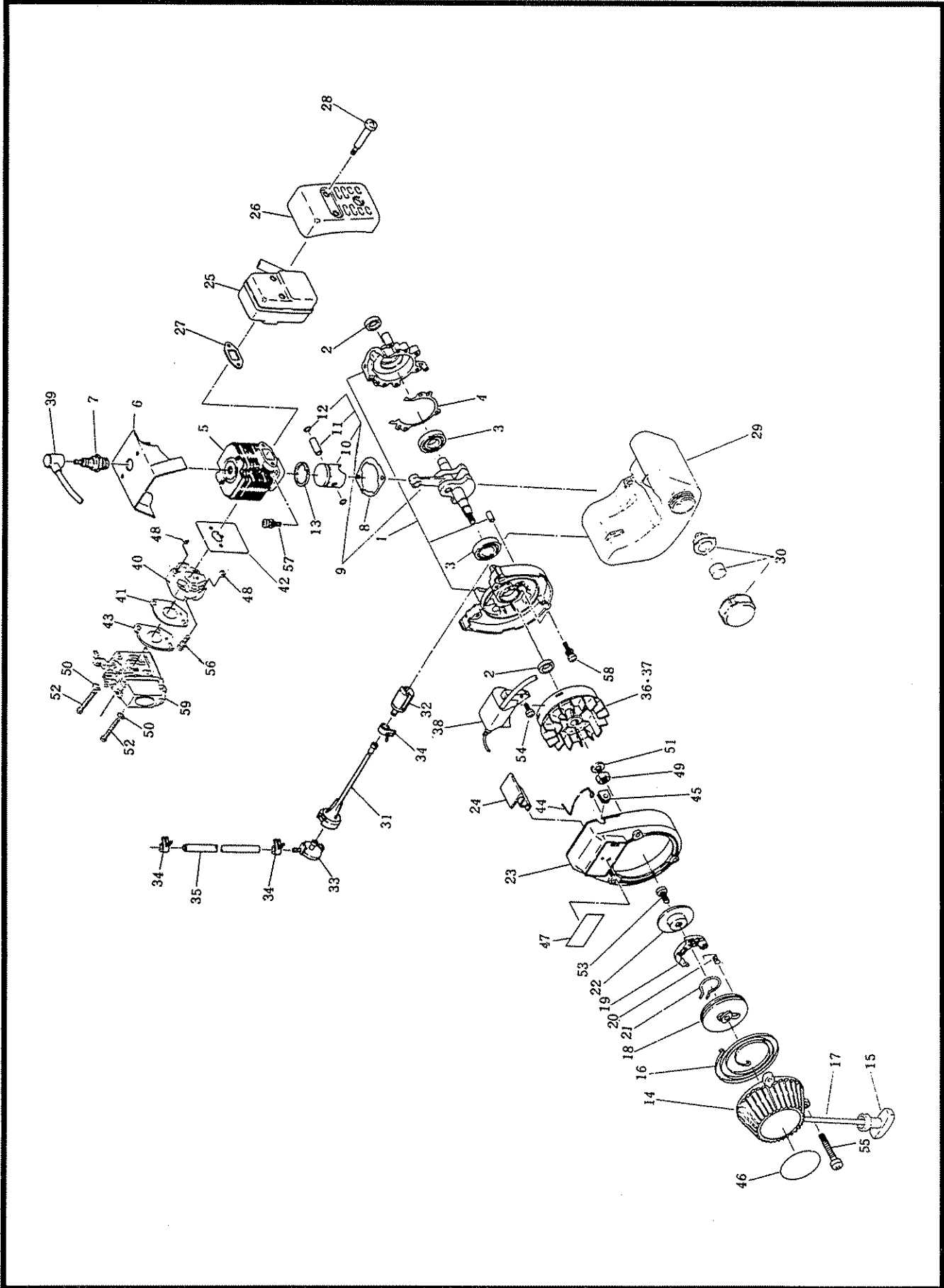
Model HT01T

(Inside Front Cover — Page 5)

Model HT02T

(Page 6 — Page 13)

PARTS MANUAL



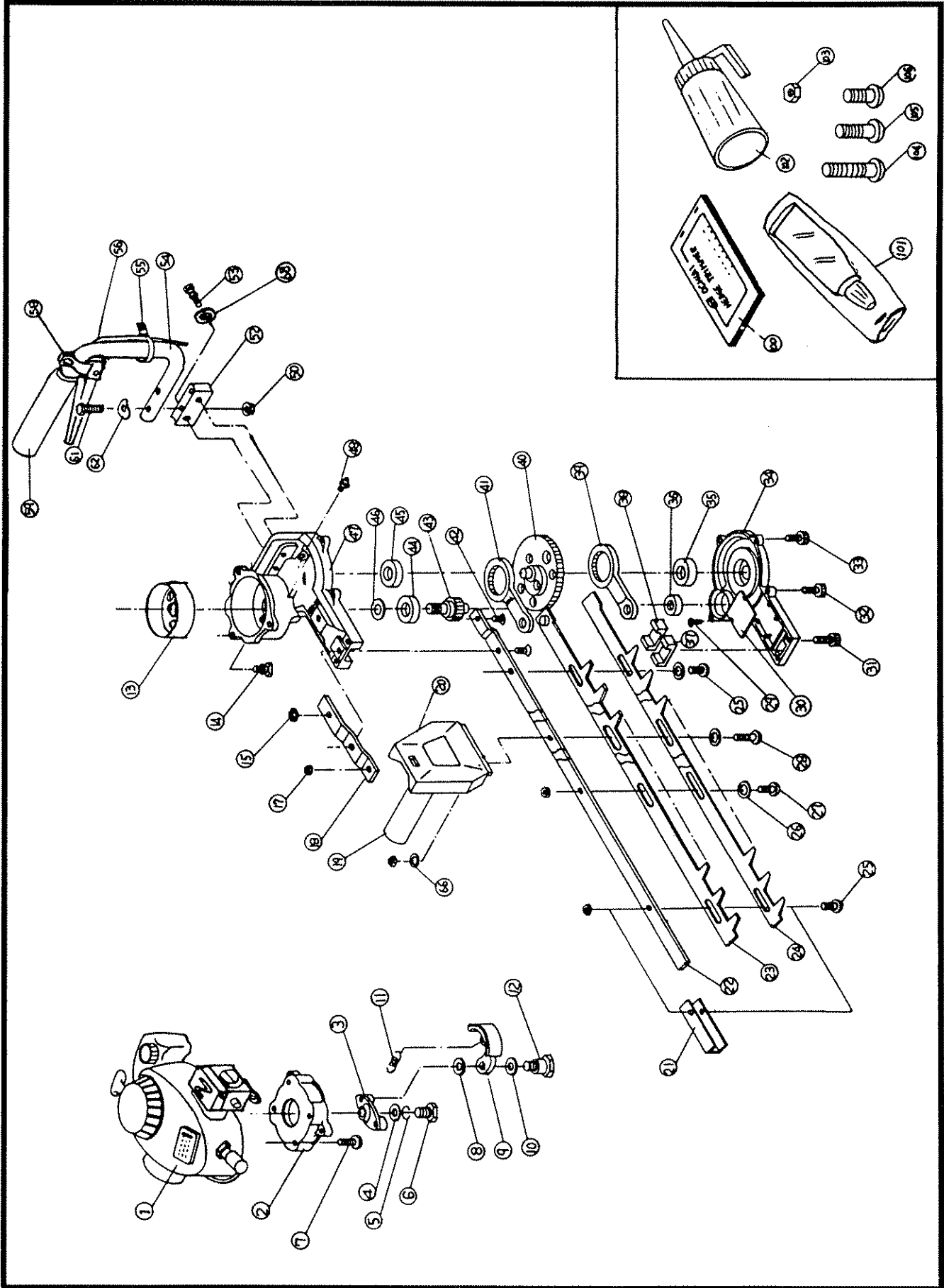
Engine body

HT01T

Ref. No.	Mfg.'s No.	Part Name	Our Part No.	Qty.	Ref. No.	Mfg.'s No.	Part Name	Our Part No.	Qty.
1	EC01A-0099	Crank case complete (incl. 2-4)	1609	1	39	EC02-090B	Plug cap complete	1051	1
2	0440 12999 1	Oil seal	1002	2	40	EC01A-3033/1	Insulator	3121	1
3	0600 12992 0	Ball bearing	1003	2	41	EC02-3112	Gasket (spacer)	3122	1
4	EC01A-1031A	Crank case packing	1671	1	42	EC01A-3045/1A	Heat insulator packing	1623	1
5	EC01A-1020C	Cylinder	1615	1	43	EC02-6707	Spacer	3123	1
6	EC01A-5010A-G	Cylinder cover	1626	1	44	EC01A-7010A	Stop switch	9185	1
7	0650 14981 0	Spark plug	1007	1	45	EC01A-7001	Grommet (second)	1635	1
8	EC01A-1030A	Cylinder packing	1616	1	46	EC01A-9003A	Label	5007	1
9	EC01A-0093	Crankshaft complete (incl. 10-12)	8142	1	47	EC01A-9011	Label (caution)	1639	1
10	EC01A-2030	Piston	3103	1	48	00217 0400 0	Nut M4	3125	
11	EC01A-2032	Piston pin	3104	1	49	00227 0800 0	Nut M8	1291	1
12	EC01A-2033	Clip	3105	2	50	00311 0400 0	Washer M4	1113	2
13	EC01A-2031/1	Piston ring	1618	1	51	00321 0800 0	Spring washer M8	1705	1
14	EC01A-0501A	Recoil starter complete (incl. 15-22, 54)	1611	1	52	EC02-7450	Plus & minus screw M4x50	3201	2
15	A57200100001	Starter knob	1018	1	53	00431 0512 0	Screw M5x12	1442	1
16	A60002600100	Spiral spring	1604	1	54	EC02-7516	Plus & minus screw ass'y M5x16	3310	2
17	A57100890000	Starter rope	1021	1	55	00431 0550 0	Screw M5x50	8094	3
18	A54102600200	Reel	1601	1	56	EC02-9522	Plus & minus screw ass'y M5x22 SW, W	8134	2
19	A55002620000	Ratchet	1602	1	57	00435 0516 0	Screw ass'y M5x16 SW	1712	2
20	A60503220000	Return spring	1606	1	58	00435 0522 0	Screw ass'y M5x22 SW	1713	3
21	A60102600000	Friction spring	1024	1	59	EC01R-0601B	Carburetor complete	8105	1
22	A56002600291	Friction plate	1603	1					
23	EC01A-5001A-G	Fan cover	5001	1					
24	EC01A-5015	Wind preventive plate	1627	1					
25	EC01A-0397-TA	Muffler assembly	5002	1					
26	EC01A-3002-SA	Muffler cover	5003	1					
27	EC01A-3020	Muffler gasket	1620	1					
28	EC01A-3070A	Muffler clamping bolt	1624	2					
29	EC01A-6011A	Fuel tank	5005	1					
30	EC02-0668A	Fuel tank cap complete	1651	1					
31	EC03F-6101A	Rubber tube	3111	1					
32	EC03F-6120	Filter	3112	1					
33	EC03F-6130	Connecter fuel	3113	1					
34	EC01A-6070	Hose clamp	7428	3					
35	EC01R-6032	Fuel pipe	9184	1					
36	EC01A-0702	Magneto complete	7324	1					
37	111002310x0	Flywheel	8137	1					
38	114003000x0	Ignition coil	8138	1					

Machine body

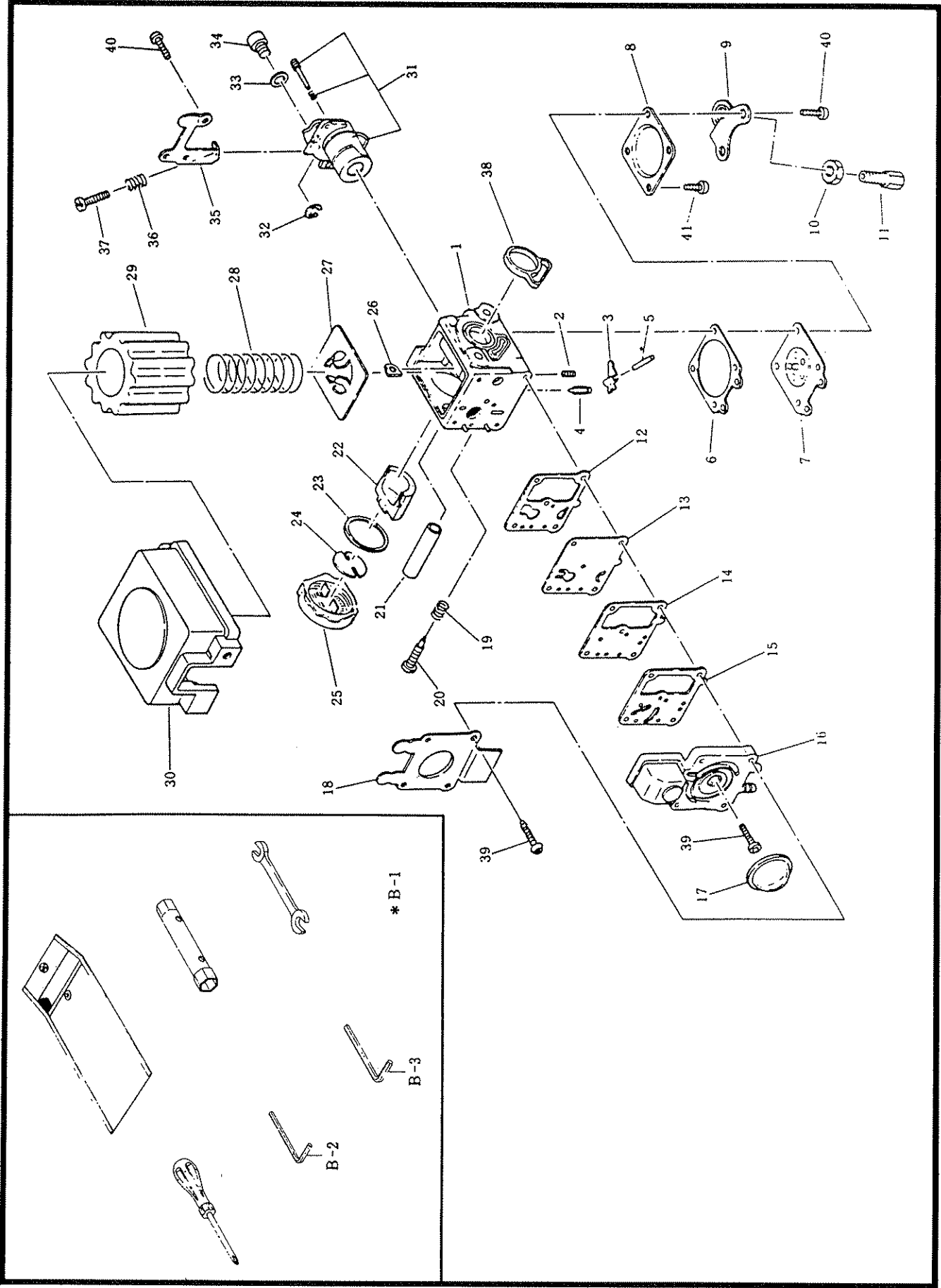
HT01T



Machine body

HT01T

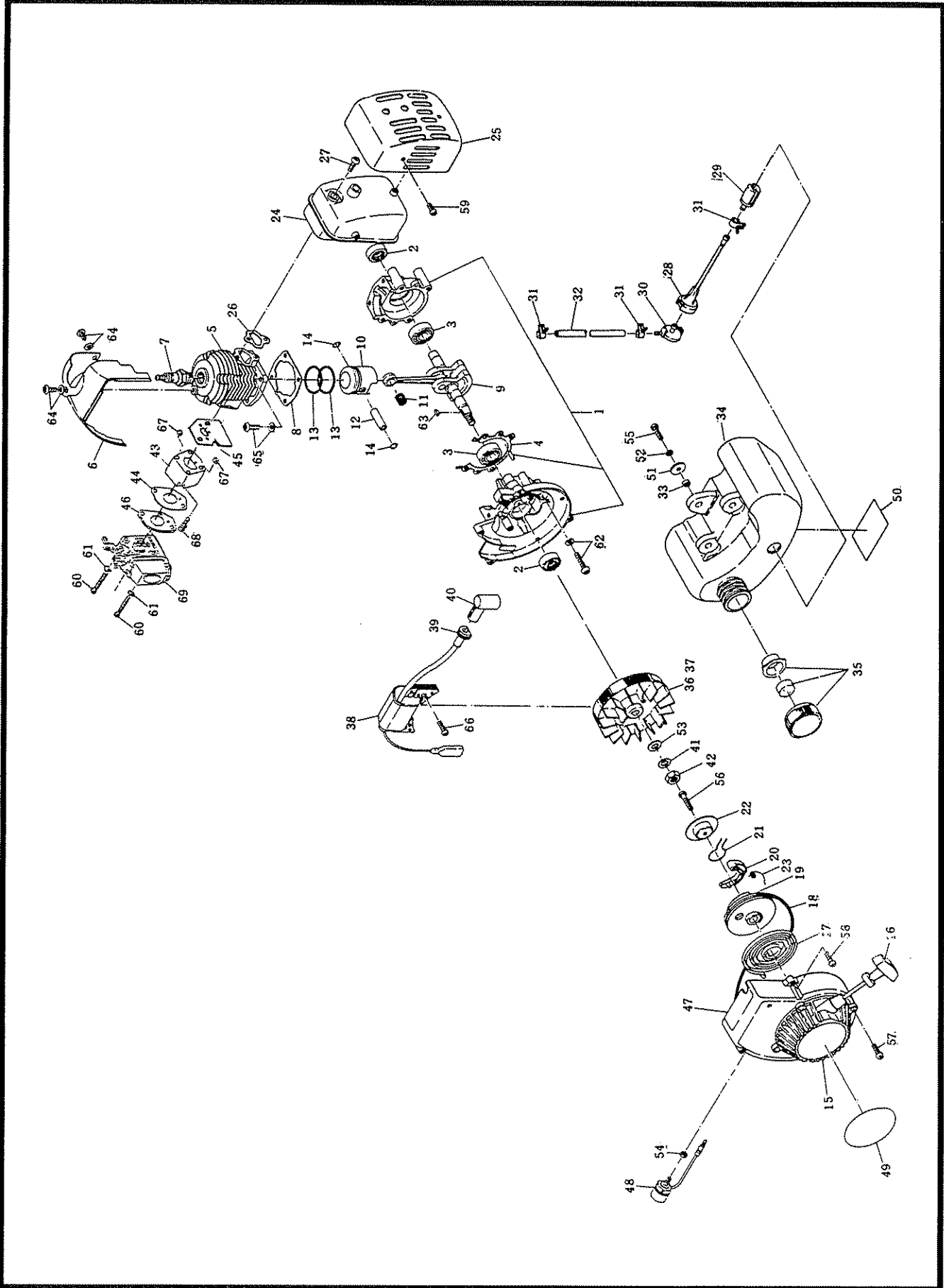
Ref. No.	Mfg.'s No.	Part Name	Our Part No.	Qty.	Ref. No.	Mfg.'s No.	Part Name	Our Part No.	Qty.
1	EC01A-0602A	Engine		1	40	030-103	Gear (large)	5042	1
2	030-100	Upper case	5012	1	41	030-104	Rod	5043	1
3	NB02A-201	Clutch base	1139	1	42	900-243	Screw	5044	2
4	0031006000	Washer	1184	1	43	060-113	Gear (small)	5045	1
5	0032006000	Spring lock washer	1294	1	44	901-101	Ball bearing (=6000)	5046	1
6	NB02A-205	Bolt (M6 × 14)	1147	1	45	901-100	Ball bearing (=6000)	5047	1
7	EC02-8516	Screw	1353	4	46	027-146	Drum collar	5048	1
8	NB02A-207	Washer (small)	1144	2	47	030-101	Middle case	5049	1
9	NB26-2102	Cluth shoe	9083	2	48	902-001	Grease nipple	5050	1
10	NB02A-206	Washer (large)	1143	2	50	900-204	Nut	9088	2
11	NB25-2104	Clutch spring	9084	1	52	030-142	Handle fitting base	9089	1
12	NB26-2103	Clutch bolt	6181	2	53	900-342	Bolt	5054	2
13	060-115	Drum	5014	1	54	064-117	Left Handle	5055	1
14	900-340	Bolt (M6 × 15)	5015	3	55	903-002	Band	5056	1
15	900-263	Nut	9085	2	56	EC02-0474	Throttle wire	5100-B	1
17	900-300	Hexagon u-nut (M6)	5018	4	58	EC02-0464	Throttle lever	9090	1
18	030-108	Reinforcing plate	5019	1	59	008-244	Handle rubber	9086	1
19	008-244	Handle rubber	9086	1	61	900-252	Bolt	5063	2
20	030-141	Right handle	9087	1	62	008-197	R-washer	5064	1
21	063-108	End reinforce	5023	1	66	900-321	Prain washer	5114	1
22	063-105	Plate	5024	1	68	900-322	Prain washer	9091	2
23	063-106	Upper blade	5025	1	100		Instruction manual	HT01	1
24	063-107	Lower blade	5026	1	101	903-001	Tubed grease	5067	1
25	008-248	Screw for fitting blade (=22)	5029	2	102	903-000	Jet oiler	5116	1
26	008-250	Washer for blade slide	5028	3	103	900-300	Nut	5018	2
27	008-247	Screw for fitting blade (=19)	5027	1	104	008-249	Screw (=29)	5033	1
28	008-249	Screw for fitting blade (=29)	5033	1	105	008-248	Screw (=22)	5029	1
29	900-040	Screw (M3 × 5)	5030	2	106	008-247	Screw (=19)	5027	1
32	030-110	Rod slide plate	5031	1					
31	900-242	Hexagon socket head bolt	5032	2					
32	900-241	Hexagon socket head bolt	5034	2					
33	900-240	Hexagon socket head bolt	5035	3					
34	030-102	Lower case	5036	1					
35	900-100	Ball Bearing	5037	1					
36	901-060	Ball Bearing	5038	1					
37	030-111	Felt A	5039	1					
38	030-112	Felt A	5040	1					
39	030-104	Rod	5041	1					



Carburetor

HT01T

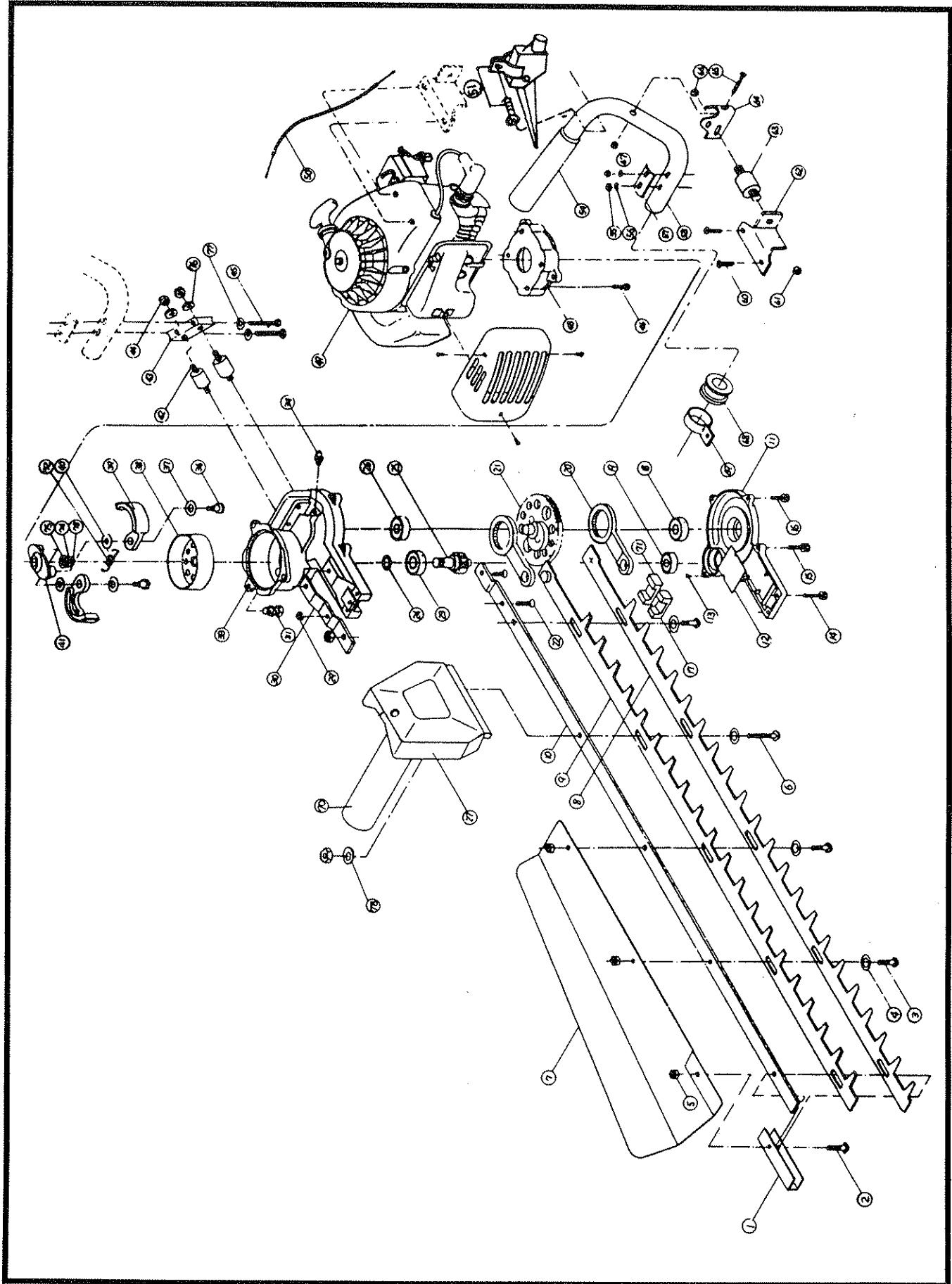
Ref. No.	Mfg.'s No.	Part Name	Our Part No.	Qty.	Ref. No.	Mfg.'s No.	Part Name	Our Part No.	Qty.
1	EC01R-0601B	Carburetor complete	8105	1	39	96-295	Screw pump cover	3172	5
2	98-189	Spring metering lever	3177	1	40	96-316	Screw	3175	4
3	166-48	Lever metering	3193	1	41	96-296	Screw metering cover	3173	2
4	82-67	Valve inlet needle	3165	1					
5	144-77	Pin metering lever	3189	1					
6	92-146	Gasket metering diaphragm	3166	1	*B-1	EC02-922B	Accessory tools kit (incl. B-2 and B-3)	5009	1
7	95-526	Diaphragm ass'y metering	3171	1	B-2	0717049990	Wrench (socket head)	5010	1
8	21-158	Cover metering diaphragm	3206	1	B-3	0717059990	Wrench (socket head)	5011	1
9	167-86	Bracket cable	3189	1					
10	134-57	Nut cable adjustment	6215	1					
11	96-304	Screw cable adjustment	3120	1					
12	92-223	Gasket pump	3167	1					
13	95-88	Diaphragm pump	3170	1					
14	157-275	Plate pump	3192	1					
15	92-250	Gasket plate	3169	1					
16	21-790	Cover assemble pump	3160	1					
17	188-11	Primer pump	3197	1					
18	167-88	Bracket primer pump	3194	1					
19	98-438	Spring high speed needle	3179	1					
20	102-328	Needle high speed	3181	1					
21	122-157	Sleeve mounting	8107	2					
22	125-53	Filter wick	8108	1					
23	92-242	Gasket intake cap	8109	1					
24	157-292	Plate wick	8110	1					
25	25-71	Cap intake	8111	1					
26	157-263	Plate mounting sleeve	8112	2					
27	157-250	Plate cleaner	3119	1					
28	98-3018	Spring filter	8113	1					
29	125-50	Filter air	3117	1					
30	21-419	Cover air cleaner	3116	1					
31	34-526	Valve assembly throttle	8122	1					
32	16-71	Ring spring retaining	8155	1					
33	136-90	Washer	8166	1					
34	52-18	Swivel	8177	1					
35	167-94	Bracket idle screw	8188	1					
36	98-323	Spring idle adjustment	8119	1					
37	96-327	Screw idle adjustment	8123	1					
38	16-101	Ring packing	8120	1					



Engine body

HT02T

Ref. No.	Mfg.'s No.	Part Name	Our Part No.	Qty.	Ref. No.	Mfg.'s No.	Part Name	Our Part No.	Qty.
1	EC02-006	Crank case complete	1001	1	39	0241 05998 6	Grommet	8054	1
2	0440 12999 1	Oil seal	1002	2	40	EC02-090B	Plug cap complete	1051	1
3	0600 12992 0	Ball bearing	1003	2	41	0203 08999 0	Spring washer (left)	1440	1
4	EC02-120A	Crank case packing	1004	1	42	0170 08996 0	Nut (left)	1278	1
5	EC02-110I	Cylinder	1643	1	43	EC02-6414/1	Insulator	9177	1
6	EC02-501E-G	Cylinder cover	5073	1	44	EC02-3112	Gasket (spacer)	3122	1
7	0650 14981 0	Spark plug	1007	1	45	EC02-3111/1	Heat insulator packing	8057	1
8	EC02-121B	Cylinder packing	1008	1	46	EC02-6707	Spacer	3123	1
9	EC02-088B	Crankshaft complete	8153	1	47	EC02-506-G	Fan cover	5075	1
10	EC02-221C	Piston	1011	1	48	EC02-720	Stop button	1057	1
11	0610 08999 0	Needle bearing	1012	1	49	EC02-9010	Label	9178	1
12	EC02F-2033	Piston pin	8154	1	50	EC02-912	Label (caution)	3035	1
13	TG02-207A	Piston ring	1014	2	51	00312 0500 0	Washer M5	1429	3
14	0565 07999 0	Clip	1015	2	52	00320 0500 0	Spring washer M5	1286	3
15	EC02-057B	Recoil starter complete (incl. 16-23, 57)	5074	1	53	00310 0800 0	Washer M8	1428	1
16	A57200100001	Starter knob	1018	1	54	00237 0400 0	Flange nut M4	9179	1
17	A60002600000	Spiral spring	1020	1	55	00170 0520 0	Bolt (cross-recessed) M5×20	5085	1
18	A57100890000	Starter rope	1021	1	56	EC02-7512	Plus & minus screw M5×12	9180	1
19	A54102600100	Reel	1717	1	57	EC02-7510	Plus & minus screw M5×10	9181	4
20	A55002610000	Ratchet	1023	1	58	EC02-7516	Plus & minus screw M5×16	3310	3
21	A60102600000	Friction spring	1024	1	59	EC02-7506	Plus & minus screw M5×6	7114	3
22	A56002600190	Friction plate	1025	1	60	EC02-7465	Screw M4×65	9182	2
23	A60503210000	Return spring	1605	1	61	00311 0400 0	Washer M4	1113	2
24	EC02-0301-TA	Muffler assembly	5076	1	62	EC02-8525	Plus & minus screw ass'y M5×25 SW	8160	4
25	EC02-3001-SA	Muffler cover	5077	1	63	00532 0310 0	Woodruff key	1077	1
26	EC02-315B	Muffler gasket	1646	1	64	EC02G-8508	Plus & minus screw ass'y M5×8 W	8158	2
27	EC02-3901	Screw	5078	2	65	EC02-8516	Plus & minus screw ass'y M5×16 SW	3152	4
28	EC03F-6101A	Rubber tube	3111	1	66	EC02-9418	Plus & minus screw ass'y M4×18 SW, W	3303	2
29	EC03F-6120	Filter	3112	1	67	00217 0400 0	Nut M4	8135	2
30	EC03F-6130	Connecter fuel	3113	1	68	EC02-9535	Plus & minus screw ass'y M5×35 SW, W	9183	2
31	EC01A-6070	Hose clamp	1632	3	69	EC02-0686B	Carburetor complete	8103	1
32	EC02-6105	Fuel pipe	9175	1					
33	EC02-617	Spacer	5080	3					
34	EC02-603E	Fuel tank	9176	1					
35	EC02-0668A	Fuel tank cap complete	6158	1					
36	EC02-0799A	Magneto complete	8102	1					
37	4M-72191	Flywheel	8052	1					
38	4M-50466	Ignition coil	8053	1					



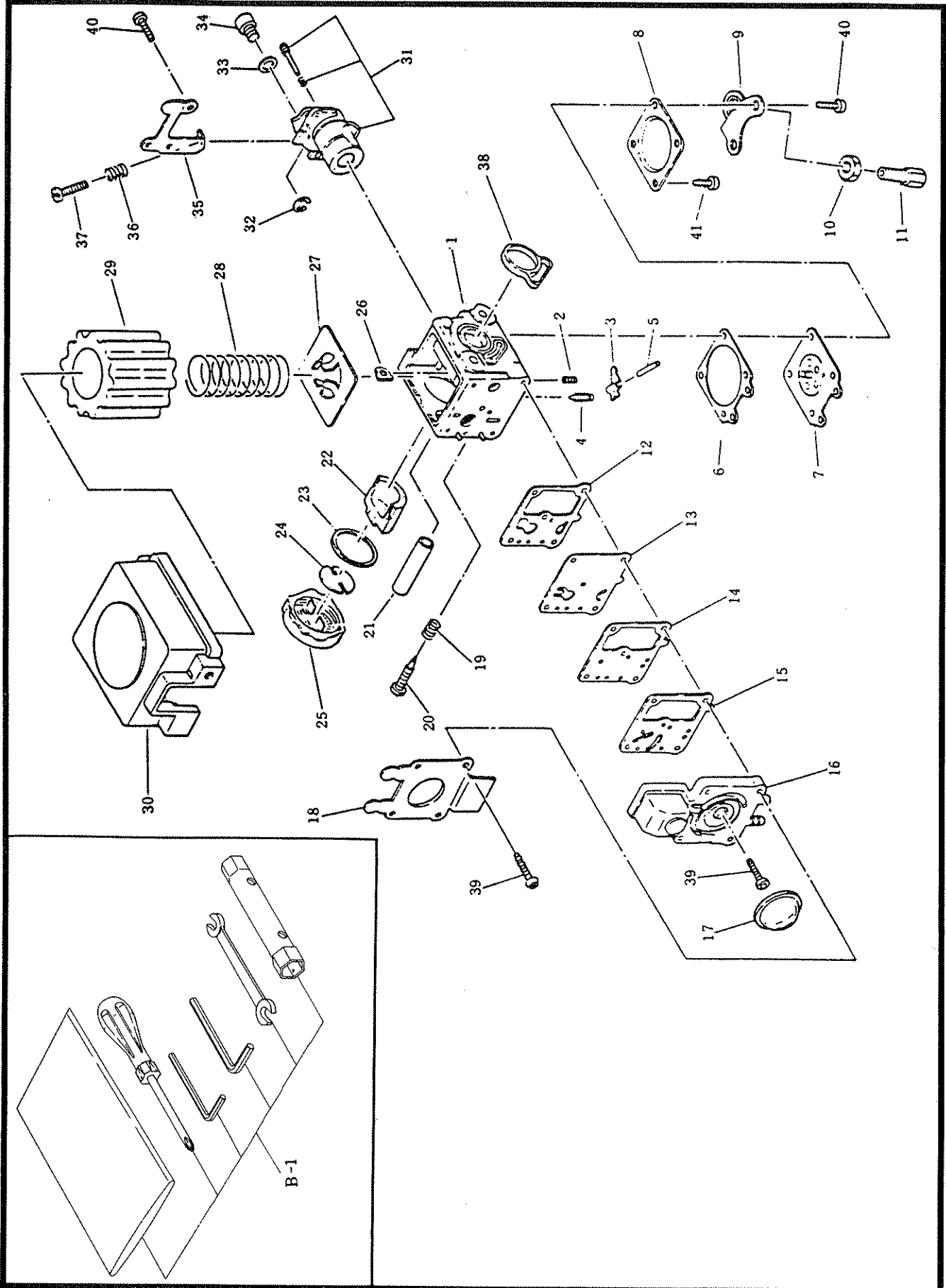
Machine body

HT02T

Ref. No.	Mfg.'s No.	Part Name	Our Part No.	Qty.	Ref. No.	Mfg.'s No.	Part Name	Our Part No.	Qty.
1	027-145	End reinforce	5089	1	42	008-233	Rubber for anti-vibration	5098	2
2	008-248	Screw for fitting blade (M6 × 22)	5029	2	43	030-142	Handle fitting base	9089	1
3	008-247	Screw for fitting blade (M6 × 19)	5027	2	44	900-300	Hexagon U-nut (M6)	5018	2
4	008-250	Washer for blade slide	5028	4	45	900-244	Hexagon head bolt (M5 × 45)	5099	2
5	900-300	Hexagon U-nut	5018	5	46	900-245	Screw (M5 × 16)	5013	4
6	008-249	Screw for fitting blade (M6 × 29)	5033	1	48	030-100	Upper case	5012	1
7	030-114	Leaf receiver plate	5090	1	49	EC02-0683	Engine	HT02 Engine	1
8	030-107	Lower blade	5091	1	50	EC02-0474	Throttle wire	5100-B	1
9	030-106	Upper blade	5092	1	51	NB02A-0450A	Throttle lever assembly	3018	1
10	030-105	Plate	5093	1	54	008-244	Handle rubber	9086	1
11	030-102	Lower case	5036	1	55	900-200	Nut (M5)	5016	2
12	030-110	Rod slide plate	5031	1	56	900-220	Spring lock washer (M5)	5017	2
13	900-040	Screw (M3 × 5)	5030	2	57	030-118	Handle fitting	5103	1
14	900-242	Hexagon socket head bolt (M5 × 22)	5032	2	58	030-117	Left handle	5104	1
15	900-241	Hexagon socket head bolt (M5 × 18)	5034	2	60	900-247	Screw (M5 × 12)	5106	2
16	900-240	Hexagon socket head bolt (M5 × 15)	5035	3	61	900-300	Hexagon u-nut (M6)	5018	1
17	030-111	Felt A	5039	1	62	030-125	Stay for anti-vibration Rubber A	5107	1
18	901-100	Ball bearing #6000ZZ	5047	1	63	008-232	Rubber for anti-vibration	5108	1
19	901-060	Ball bearing #608ZZ	5048	1	64	030-138	Stay for anti-vibration Rubber B	5109	1
20	030-104	Rod	5043	2	65	900-248	Screw (M5 × 25)	5110	1
21	030-103	Gear (large)	5042	1	66	900-300	Hexagon u-nut (M6)	5018	1
22	900-243	Screw (M5 × 20)	5044	2	67	900-200	Nut (M5)	5016	1
23	901-101	Ball bearing #6000	5046	1	68	030-128	Stopper	5111	1
24	027-146	Drum collar	5048	1	69	030-127	Stop ring	5112	1
25	027-148	Gear (small)	5094	1	70	008-244	Handle rubber	9086	1
26	901-100	Ball bearing #6000ZZ	5047	1	71	030-112	Felt B	5040	1
27	030-131	Right handle	5021	1	72	NB25-2104	Clutch spring	3138	1
29	900-200	Nut (M5)	5016	2	73	NB02A-205	Hexagon head bolt (M6 × 14)	1147	1
30	030-108	Reinforcing plate	5019	1	74	900-320	Spring lock washer (M6)	5113	1
31	900-340	Hexagon head bolt (M6 × 15)	5015	3	75	900-321	Washer (M6)	5114	1
33	030-101	Middle case	5049	1	76	900-322	Prain washer	9091	2
34	902-001	Grease nipple (M6)	5096	1	77	900-221	Prain washer	9092	2
36	NB26-2103	Screw	6181	2	78	900-321	Prain washer	5114	1
37	NB02A-206	Washer (large)	1143	2					
38	027-142	Drum	5097	1					
39	NB02A-202a	Clutch shoe	1140	2					
40	NB02A-207	Washer (small)	1144	2					
41	NB02A-201A	Clutch base	8011	1					

Carburetor

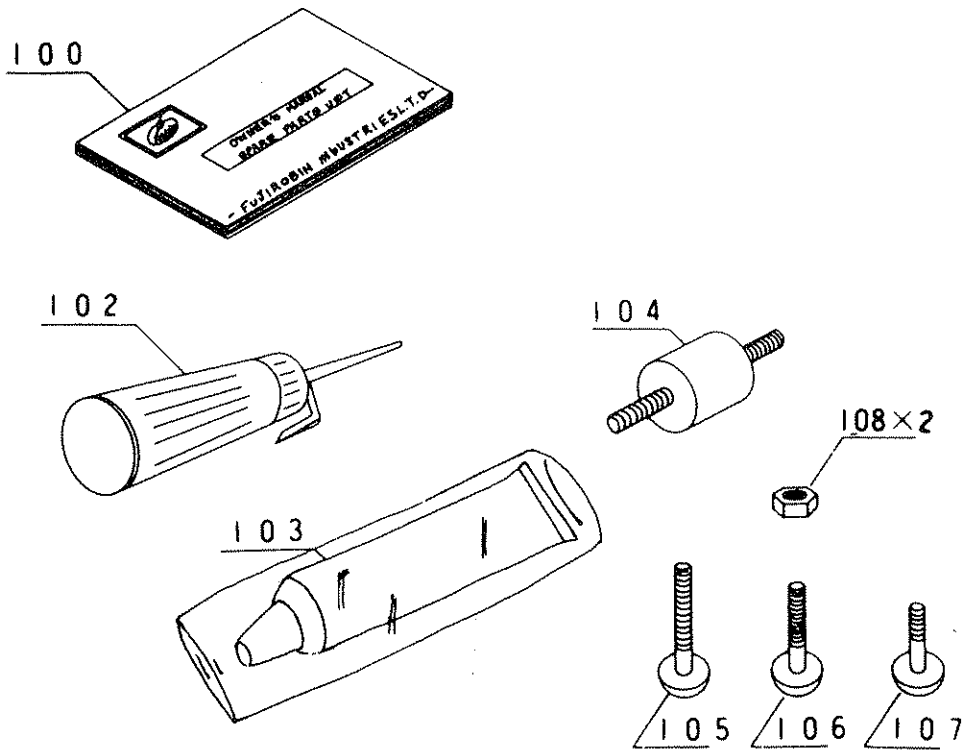
HT02T



Carburetor

HT02T

Ref. No.	Mfg.'s No.	Part Name	Our Part No.	Qty.	Ref. No.	Mfg.'s No.	Part Name	Our Part No.	Qty.
1	EC02-0686B	Carburetor complete	8103	1	39	96-295	Screw pump cover	3172	5
2	98-189	Spring metering lever	3177	1	40	96-316	Screw	3175	4
3	166-48	Lever metering	3193	1	41	96-296	Screw metering cover	3173	2
4	82-67	Valve inlet needle	3165	1					
5	144-77	Pin metering lever	3189	1					
6	92-146	Gasket metering diaphragm	3166	1	B-1	EC02-922B	Accessory tools kit	5009	1
7	95-526	Diaphragm ass'y metering	3171	1					
8	21-158	Cover metering diaphragm	3206	1					
9	167-86	Bracket cable	3198	1					
10	134-57	Nut cable adjustment	6215	1					
11	96-304	Screw cable adjustment	3120	1					
12	92-223	Gasket pump	3167	1					
13	95-88	Diaphragm pump	3170	1					
14	157-275	Plate pump	3192	1					
15	92-250	Gasket plate	3169	1					
16	21-790	Cover assembly pump	3160	1					
17	188-11	Primer pump	3197	1					
18	167-88	Bracket primer pump	3194	1					
19	98-438	Spring high speed needle	3179	1					
20	102-328	Needle high speed	3181	1					
21	122-157	Sleeve mounting	8107	2					
22	125-53	Filter wick	8108	1					
23	92-242	Gasket intake cap	8109	1					
24	157-292	Plate wick	8110	1					
25	25-71	Cap intake	8111	1					
26	157-263	Plate mounting sleeve	8112	2					
27	157-250	Plate cleaner	3119	1					
28	98-3018	Spring filter	8113	1					
29	125-50	Filter air	3117	1					
30	21-419	Cover air cleaner	3116	1					
31	34-523	Valve assembly throttle	8114	1					
32	16-71	Ring spring retaining	8115	1					
33	136-90	Washer	8116	1					
34	52-18	Swivel	8117	1					
35	167-94	Bracket idle screw	8118	1					
36	98-323	Spring idle adjustment	8119	1					
37	96-294	Screw idle adjustment	3176	1					
38	16-101	Ring packing	8120	1					



Accessories

HT02T

Ref. No.	Mfg.'s No.	Part Name	Our Part No.	Qty.	Ref. No.	Mfg.'s No.	Part Name	Our Part No.	Qty.
100		Instruction manual	HT02	1					
102	903-000	Jet oiler	5116	1					
103	903-001	Tube grease	5067	1					
104	008-233	Rubber for anti-vibration	5117	1					
105	008-249	Screw for fitting blade	5033	1					
106	008-248	Screw for fitting blade	5029	1					
107	008-247	Screw for fitting blade	5027	1					
108	900-300	Nut for fitting blade	5018	2					

Carswell Import & Marketing Associates, Inc. / Carswell Distributing Company
3750 N. Liberty Street, Post Office Box 4193
WINSTON-SALEM, NORTH CAROLINA 27115