



HT21

1996.03.08

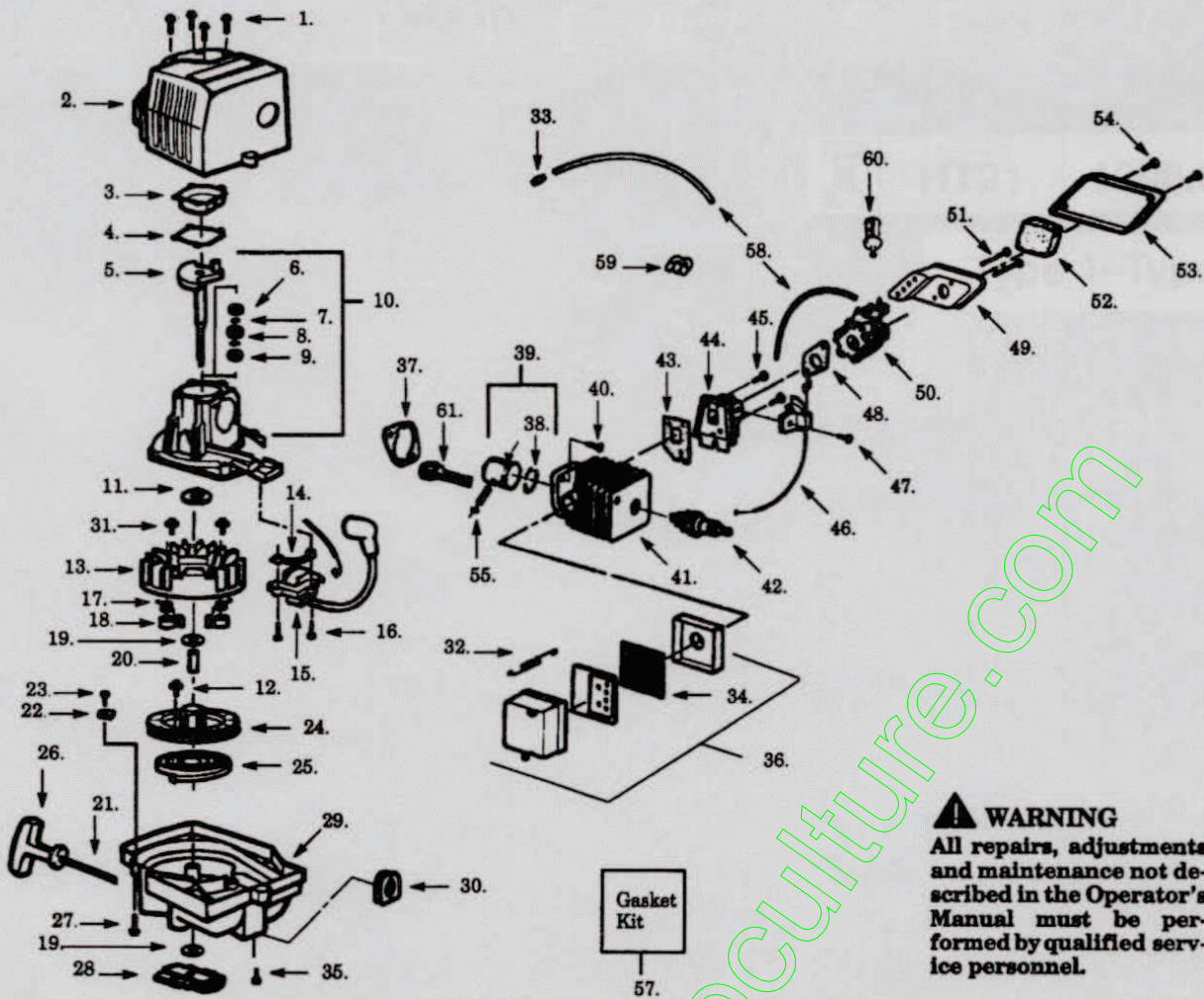
01

Type 1-Type 2

www.emc-motoculture.com

HT21

RESERVELAR
SPARE PARTS
ERSATZTEILE
PIECES DE RECHANGE
PIEZAS DE REPUESTO
RICAMBI
PEÇAS SOBRESSELENTE



⚠ WARNING
 All repairs, adjustments and maintenance not described in the Operator's Manual must be performed by qualified service personnel.

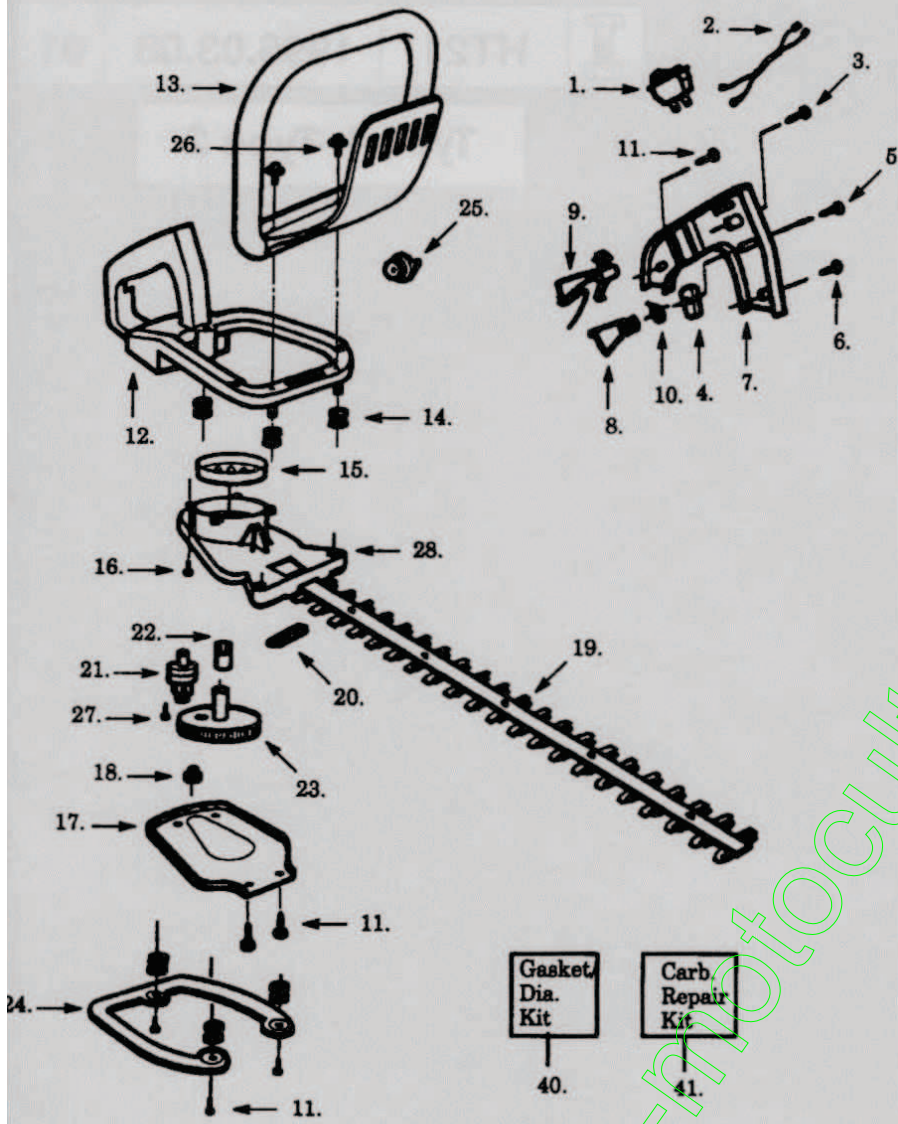
| KEY NO. | PART NO. | DESCRIPTION | KEY NO. | PART NO. | DESCRIPTION |
|---------|------------|------------------------------|---------|-------------------|-----------------------------|
| 1 | 530-015810 | Screw-Shroud | 35 | 530-015934 | Screw-Fan Hsg/Shrd. |
| 2 | 530-038013 | Shroud | 36 | 530-069659 | Muffler Kit |
| 3 | 530-029929 | Crankcase Cover | 37 | 530-019223 | Cylinder gasket |
| 4 | 530-019181 | Gasket-Shrd./C'ase | 38 | 530-029924 | Piston Ring |
| 5 | 530-014307 | Crankshaft Ass'y. | 39 | - | Piston Kit (Incl. 38 & 55) |
| 6 | 530-032125 | Inner Bearing | | 530-069350 | Type 1 |
| 7 | 530-015945 | Retainer-C'ase | | 530-069613 | Type 2 |
| 8 | 530-019179 | Crankcase Seal | 40 | 530-015953 | Screw-Cylinder |
| 9 | 530-032124 | Outer Bearing | 41 | - | Cylinder |
| 10 | 530-014861 | Crankcase Ass'y. (Incl. 6-9) | | 530-069619 | Type |
| 11 | 530-015941 | Retaining Ring | | 530-069614 | Type 2 |
| 12 | 530-016080 | Screw-Pulley | 42 | 530-030075 | Spark plug (RCJ-8Y) |
| 13 | 530-039149 | Flywheel Ass'y. | 43 | 530-019233 | Gasket-Cylin./Carb. |
| 14 | 530-036145 | Spacer-Ignit. Mod. | 44 | 530-038017 | Carb. Adaptor |
| 15 | 530-039163 | Ignition Module | 45 | 530-016014 | Screw-Carb. Adap. |
| 16 | 530-015954 | Screw-Ignit. Mod. | 46 | 530-014384 | Throttle Cable Ass'y. |
| 17 | 530-037730 | Spring-Starter Dog | 47 | 530-015775 | Screw-Throtl. Cable |
| 18 | 530-029939 | Starter Dog | 48 | 530-019194 | Gasket-Carb. Adap. |
| 19 | 530-015828 | Washer | 49 | 530-036192 | Air Box |
| 20 | 530-015930 | Flywheel Spacer | 50 | - | Carburetor |
| 21 | 530-069232 | Rope Kit | | 530-035306 | Type 1 WT221 |
| 22 | 530-015963 | Retainer | | 530-069682 | Type 2 WT379 |
| 23 | 530-015496 | Screw-Retainer | 51 | 530-015849 | Screw-Air Box |
| 24 | 530-069353 | Starter Pulley | 52 | 530-029934 | Air Filter Foam |
| 25 | 530-029395 | Starter Spring | 53 | 530-036193 | Air Filter Cover |
| 26 | 530-027569 | Starter Handle | 54 | 530-015635 | Screw-A.F. Cover |
| 27 | 530-015886 | Screw-Fan Housing | 55 | 530-015162 | Piston Pin Retainer |
| 28 | 530-014396 | Clutch Ass'y. Kit | 57 | 530-069616 | Gasket Kit |
| 29 | 530-014610 | Fan Housing | | | (Incl. 4, 37, 43 & 48) |
| 30 | 530-019182 | Grommet-Ig. Mod. | 58 | 530-069599 | Fuel Line Kit |
| 31 | 530-015882 | Screw-Flywheel | | | (Incl. Fuel and Vent lines) |
| 32 | 530-029930 | Muffler Spring | 59 | 530-016103 | Retainer Clip |
| 33 | 530-023877 | Fuel Line Fitting | 60 | 530-014362 | Fuel Pick-up Ass'y. |
| 34 | 530-036180 | Muffler Screen | 61 | 530-069615 | Connecting Rod Kit |

Type 1 – Carburetor Number

#530-035306 – WT-221

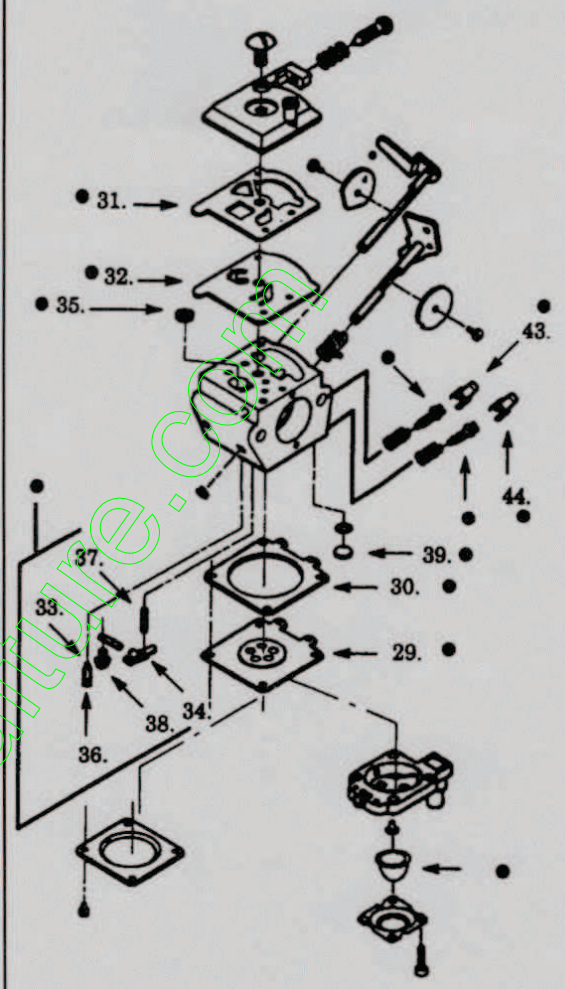
Type 2 – Carburetor Number

#530-069682 – WT-379



Gasket,
Dia.
Kit
40.

Carb.
Repair
Kit
41.



Type 1

Type 2

| KEY NO. | PART NO. | DESCRIPTION |
|---------|-------------------|-------------------------|
| 1 | 530-029954 | Ignition Switch |
| 2 | 530-036443 | Lead Wire Ass'y. |
| 3 | 530-015775 | Screw-Handle Cov. |
| 4 | 530-029958 | Trigger Lever |
| 5 | 530-015940 | Screw-Handle Cov. |
| 6 | 530-015770 | Screw-Handle Cov. |
| 7 | 530-038305 | Handle Cover |
| 8 | 530-029956 | Throttle Trigger |
| 9 | 530-036122 | Throttle Lockout |
| 10 | 530-036123 | Trigger Spring |
| 11 | 530-015934 | Screw-Handle Cov. |
| 12 | 530-047494 | Rear Handle/Tank Ass'y. |
| 13 | 530-094992 | Front Handle |
| 14 | 530-029946 | Isolator Spring |
| 15 | 530-048113 | Clutch Drum |
| 16 | 530-015843 | Screw |
| 17 | 530-029916 | Gear Box Plate |
| 18 | 530-032121 | Bushing Blade |
| 19 | 530-036371 | Blade Ass'y. |
| 20 | 530-029948 | Blade Seal |
| 21 | 530-036228 | Pinion Ass'y. |
| 22 | 530-016013 | Drive Gear Bearings |
| 23 | 530-069355 | Drive Gear Kit |
| 24 | 530-036046 | Isolator Plate |
| 25 | 530-036965 | Fuel Cap Ass'y. |

| KEY NO. | PART NO. | DESCRIPTION |
|--------------------|------------|-------------------------------------|
| 26 | 530-015955 | Screw-front Handle |
| 27 | 530-015886 | Screw-Gear |
| 28 | 530-014399 | Gear Box Ass'y. (Incl. 21, 22 & 27) |
| Type 1 only | | |
| 29 | 504-130808 | Metering Diaphragm |
| 30 | 530-035320 | Metering Diaphragm Gasket |
| 31 | 504-130906 | Pump Gasket |
| 32 | 504-130807 | Pump Diaphragm |
| 33 | 505-520125 | Metering Pin |
| 34 | 505-520127 | Metering Lever |
| 35 | 530-035178 | Fuel Inlet Screen |
| 36 | 503-117001 | Inlet Needle valve |
| 37 | 530-035139 | Metering Lever Spring |
| 38 | 505-316717 | Metering Lever Pin Screw |
| 39 | 530-035162 | Welch Plug |
| 40 | 530-035213 | Gasket/Diaphragm kit (Incl. 29-32) |
| 41 | - | Carb. Repair Kit |
| | 530-035312 | Type 1 (Incl. 33-38 & 40) |
| | 530-069656 | Type 2 (* Indicates Contents) |
| Type 2 only | | |
| 43 | 530-038317 | Limiter Cap-Low |
| 44 | 530-038318 | Limiter Cap-High |