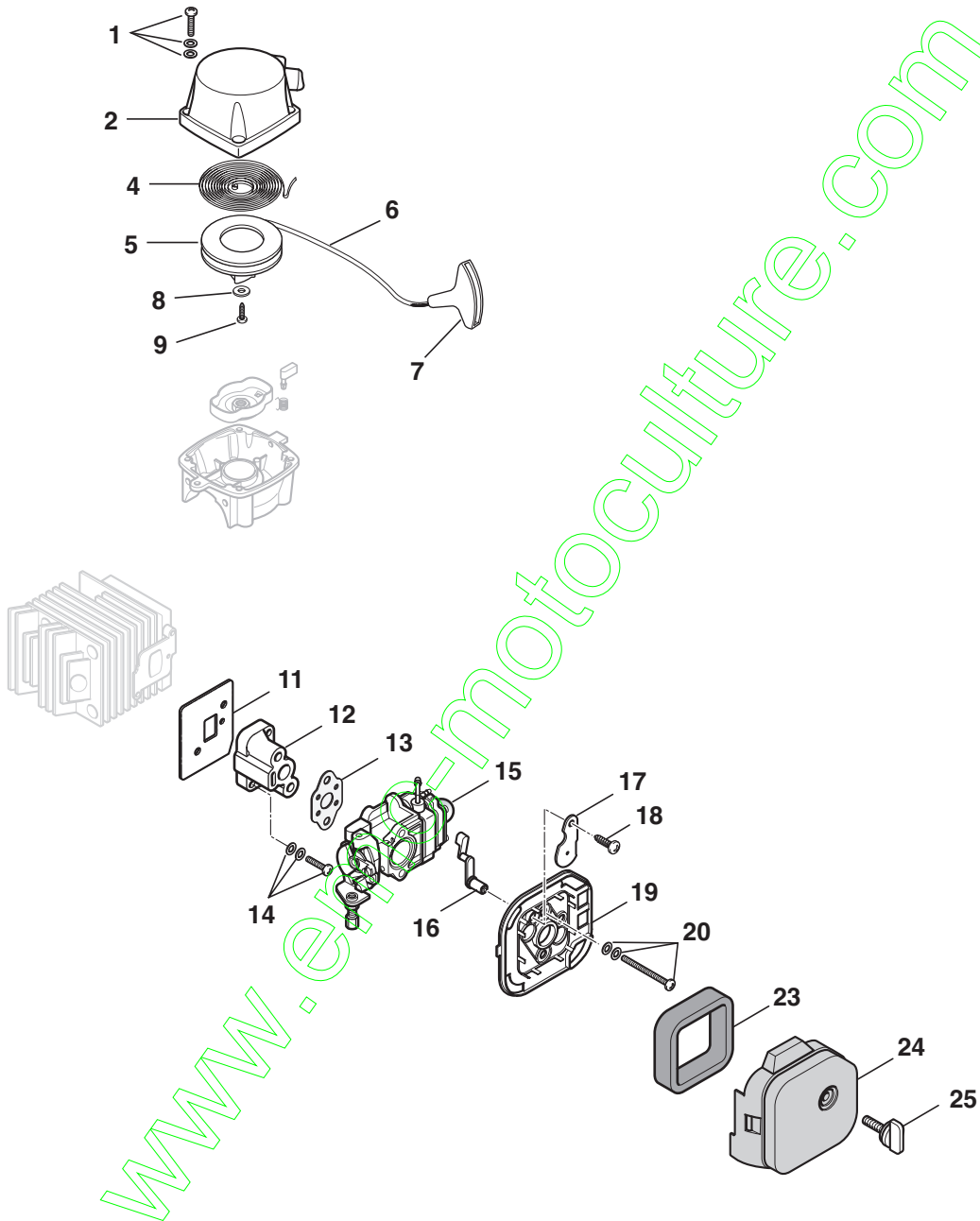


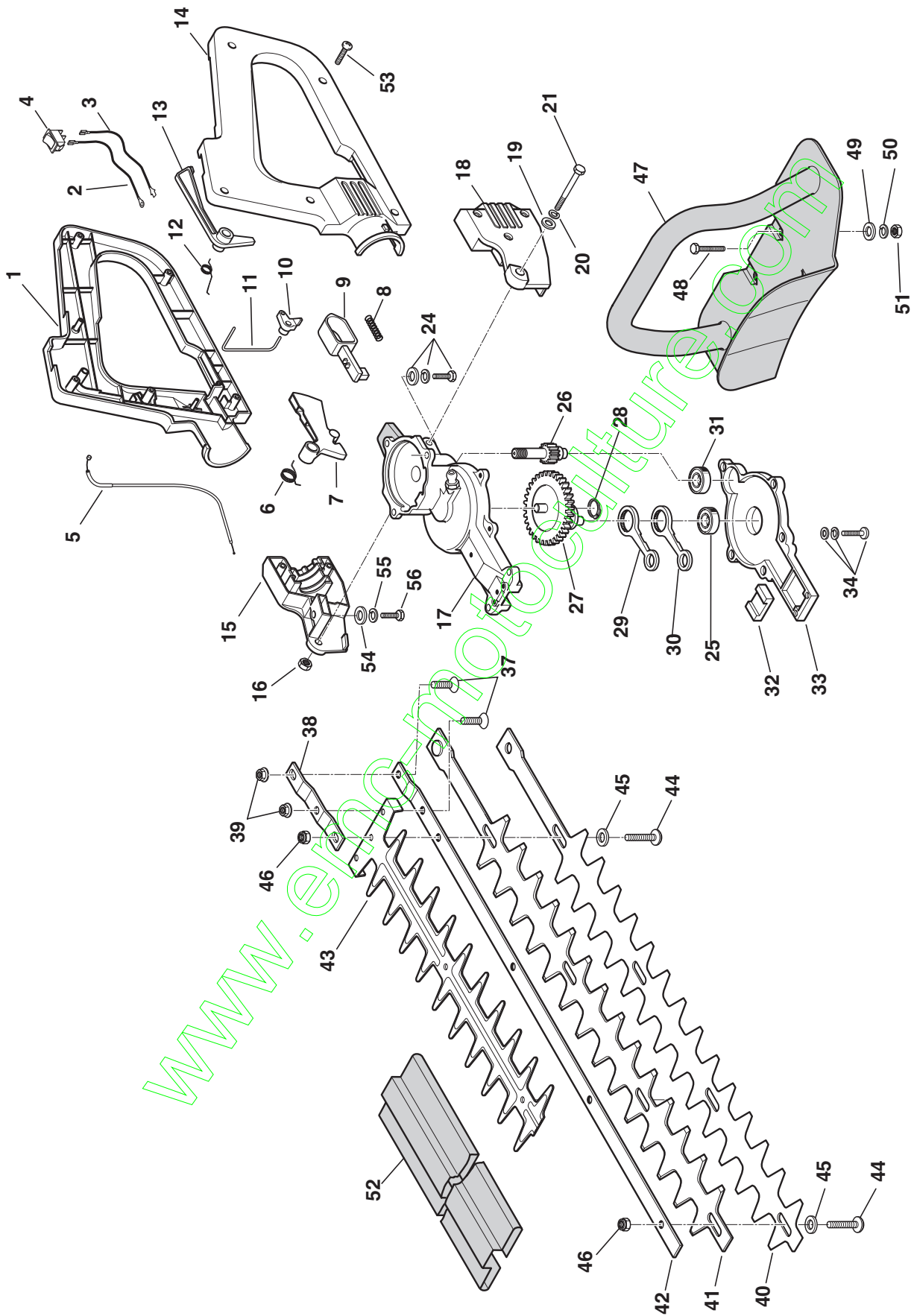
www.energystore.com

N°	Code	Q.ty	Descrizione	Description	Description	Beschreibung	Remarks
1	6981116	1	Vite	Screw	Vis	Schraube	
2	6981154	1	Rosetta	Washer	Rondelle	Scheibe	
3	6981158	1	Deflettore	Deflector	Deflecteur	Abweiser	
4	6981159	1	Cuffia Cop. Arancione	Engine Cover Orange	Shield Orange	Zylinderkopfkappe Orange	
4	6981157	1	Cuffia Cop. Giallo	Engine Cover Yellow	Shield Jaune	Zylinderkopfkappe Gelb	
5	6981113	2	Set Viteria	Screws Set	Set Visserie	Satz Schrauben	
6	6981160	1	Silenziatore	Muffler	Silencieux	Schalldämpfer	
7	6981041	1	Guarnizione Silenziat.	Gasket	Joint Silencieux	Dichtung Schalldämpfer	
8	6981113	4	Set Viteria	Screws Set	Set Visserie	Satz Schrauben	
9	6981163	1	Candela	Spark Plug	Bougie	Zündkerze	
10	6981146	1	Vite	Screw	Vis	Schraube	
11	6981043	1	Protezione	Guard Assy	Protection	Schutze	
12	6981004	1	Guarnizione Cilindro	Cylinder Gasket	Joint Cylindre	Zylinderdichtung	
13	6981015	2	Fermo Spinotto	Washer, Piston Pin	Circlip Pointeau	Anschlag Zapfen	
14	6981014	1	Spinotto Pistone	Piston Pin	Pointeau Piston	Kolbenbolzen	
15	6981013	2	Fascia Elastica	Piston Ring	Collier Élastique	Kolbenring	
16	6981012	1	Ass. Pistone	Piston Ass' Y	Ens.piston	Set Kolben	
17	6981003	1	Ass. Cilindro - Pistone	Cylinder - Piston Ass'y	Ens.cylindre-piston	Set Zylinder-kolben	
18	6981017	1	Astuccio A Rulli	Needle Bearing	Roul. À Aiguilles	Walzenrohr	
19	6981016	1	Ass. Albero Motore	Crankshaft	Arbre Moteur	Set Motorwelle	
20	6981096	1	Linguetta Volano	Flywheel Key	Clavette Volant	Lasche Schwungrad	
21	6981097	2	Cuscinetto A Sfere	Ball Bearing	Roul. A Billes	Kugellager	
22	6981008	2	Anello Di Tenuta	Seal Ring	Anneau De Tenue	Dichtring	
23	6981006	1	Carter Motore, Post.	Rear Crank Case	Carter Moteur, Arriere	Hintermotorabdeckung	
24	6981031	1	Coppa Avviamento	Starter Cup	Coupe Démarreur	Startergehäuse	
25	6981130	1	Molla Aggancio	Spring	Ressort	Feder Sperrung	
26	6981030	1	Aggancio Avviamento	Starter Hook	Fixation Démarreur	Sperre Starter	
27	6981007	1	Guarnizione Carters	Gasket	Joint	Dichtung Abdeckung	
28	6981126	2	Spina Di Centraggio	Centring Pin	Goupille De Centrage	Zentrierstift	
29	6981005	1	Carter Motore, Ant.	Front Crank Case	Carter Moteur, Avant	Vordermotorabdeckung	
30	6981002	1	Ass. Volano C/masse	Flywheel Ass'y	Ens. Volant	Schwungrad Magnet	
31	6981102	4	Set Viteria	Screws Set	Set Visserie	Satz Schrauben	
32	6981128	1	Rosetta	Washer	Rondelle	Scheibe	
33	6981143	1	Dado	Nut	Ecrou	Mutter	
34	6981034	1	Molla Frizione	Spring	Ressort	Kupplungsfeder	
35	6981033	2	Rosetta	Washer	Rondelle	Scheibe	
36	6981032	2	Massa Frizione	Clutch Unit	Embrayage	Reibungsmasse	
37	6981035	2	Vite	Screw	Vis	Schraube	
38	6981116	2	Set Viteria	Screws Set	Set Visserie	Satz Schrauben	
41	6981204	1	Bobina Elettronica	Electronic Coil	Bobine Électronique	Elektronikspule	
42	6981044	1	Protezione Candela	Cover, Spark Plug	Cover, Spark Plug	Zündkerzenschutz	
43	6981133	1	Fermacavo	Cable Retainer	Fixation Cable	Kabelbefestigung	
44	6981022	2	Cavo	Cable	Cables	Kabel	
45	6981205	1	Supporto	Support	Support	Support	
46	6981116	2	Set Viteria	Screws Set	Set Visserie	Satz Schrauben	
49	6981118	4	Vite	Screw	Vis	Schraube	
50	6981203	1	Nastro Freno	Brake Band	Bande Frein	Bremsband	
51	6981202	1	Molla	Spring	Ressort	Feder	
52	6981198	1	Coperchio	Cover	Couvercle	Abdeckung	
53	6981201	1	Leva Aggancio Freno	Lever	Levier Enclench. Frein	Hebel F. Bremse	
54	6981200	1	Vite	Screw	Vis	Schraube	
55	6981199	1	Dado	Nut	Ecrou	Mutter	
56	6981197	1	Flangia	Flange	Bride	Flansch	
57	6981144	4	Vite	Screw	Vis	Schraube	
58	6981164	1	Campana Frizione	Clutch Drum	Tambour Embrayage	Kupplungsglocke	
59	6981038	2	Tubi Carburante	Fuel Hose	Tube De Connexion	Verbindungsrohr	
60	6981039	1	Ass. Gommino Passatubi	Grommet Assy	Ens.rondelle Caoutc.	Set Gummiringe	
61	6981036	1	Ass. Serbatoio Miscela	Fuel Tank Ass'y	Fuel Tank Ass'y	Set Treibstofftank	
62	6981037	1	Ass. Tappo Miscela	Cap Ass'y, Fuel Tank	Cap Ass'y, Fuel Tank	Set Deckel Treibstoff	
63	6981101	3	Set Viteria	Screws Set	Set Visserie	Satz Schrauben	
65	4253292	1	Pescante Miscela	Intake Filter	Filtre D'aspiration	Tauchsonde	



N°	Code	Q.ty	Descrizione	Description	Description	Beschreibung	Remarks
1	6981116	4	Set Viteria	Screws Set	Set Visserie	Satz Schrauben	
2	6981161	1	Carter Avviamento	Starter Recoil Case	Carter Démarreur	Startergehäuse	
4	6981025	1	Molla Avviamento	Spring	Ressort	Starterfeder	
5	6981026	1	Puleggia Avviamento	Starter Pulley	Poulie Démarrage	Riemenscheibe Starter	
6	6981162	1	Fune Avviamento	Starter Cord	Câble Démarrage	Seil Starter	
7	6981027	1	Impugnatura Avv.to	Starter Handle	Poignée Démarrage	Griff Starter	
8	6981138	1	Rosetta	Washer	Rondelle	Scheibe	
9	6981145	1	Vite	Screw	Vis	Schraube	
11	6981011	1	Guarniz.collett-cilind.	Intake Manif-gasket	Joint Collect.-cyl.	Dicht. Kollekt.-zyl.	
12	6981010	1	Collettore Aspirazione	Intake Manifold	Collecteur Aspirateur	Kollektor Ansaugung	
13	6981018	1	Kit Memb-guarniz	Gasket-diaph.set	Kit Membr.-joint	Set Memb.-dicht.	
14	6981108	2	Set Viteria	Screws Set	Set Visserie	Satz Schrauben	
15	23054012/0	1	Carburatore Wyj-397	Carburettor Wyj-397	Carburateur Wyj-397	Vergaser Wyj-397	
16	6981137	1	Leva Aria	Choke Lever	Levier Air	Chokerhebel	
17	6981136	1	Valvola Starter	Starter Valve	Vanne Starter	Starterventil	
18	6981135		Vite	Screw	Vis	Schraube	
19	6981131	1	Supp. Filtro Aria	Air Filter Holder	Supp. Filtre À Air	Halter Luftfilter	
20	6981104	2	Set Viteria	Screws Set	Set Visserie	Satz Schrauben	
23	6981020	1	Filtro Aria	Air Filter	Filtre À Air	Luftfilter	
24	6981134	1	Coprifiltro Aria	Filter Cover	Couvre-filtre À Air	Filterabd.	
25	6981132	1	Vite	Screw	Vis	Schraube	

www.emc-motoculture.com



www.euroculture.com

N°	Code	Q.ty	Descrizione	Description	Description	Beschreibung	Remarks
1	6981193	1	Impugnatura Destra	Right Handgrip	Branche Dro.	Rechte Griff	
2	6981192	1	Cavo Massa	Earth Cable	Câble Masse	Erdungskabel	
3	6981191	1	Cavo Bobina-interrutt.	Coil-switch Cable	Câble Bobine-interrupt.	Spulendraht-schalter	
4	6981194	1	Interruttore Stop	Stop Switch	Interrupteur D'arrêt	Stop-schalter	
5	6981188	1	Cavo Acceleratore	Wire Ass.y	Câble Accélér.	Starterkabel	
6	6981186	1	Molla Leva Accelerat.	Spring	Ressort	Feder Gashebel	
7	6981187	1	Leva Acceleratore	Throttle Lever	Levier Accélérateur	Gashebel	
8	6981182	1	Molla	Spring	Ressort	Feder	
9	6981183	1	Leva	Gearshift	Levier	Hebel	
10	6981185	1	Gancio	Hook	Accrochage	Haken	
11	6981184	1	Tirante Acceleratore	Throttle Rod	Tige Accélérateur	Spannstift Gashebel	
12	6981189	1	Molla Leva Di Sicurezza	Spring	Ressort	Feder Sicherheitshebel	
13	6981190	1	Leva Di Sicurezza	Safety Lever	Levier De Sécurité	Sicherheitshebel	
14	6981195	1	Impugnatura Sinistra	Left Handgrip	Branche Gau.	Linke Griff	
15	6981180	1	Supporto Destro	Right Support	Support Droite	Rechtes Halter	
16	6981142	1	Dado	Nut	Ecrou	Mutter	
17	6981165	1	Carter	Case	Carter	Blech	
18	6981181	1	Supporto Sinistro	Left Support	Support Gauche	Linkes Halter	
19	6981155	1	Rosetta	Washer	Rondelle	Scheibe	
20	6981152	1	Rosetta	Washer	Rondelle	Scheibe	
21	6981148	1	Vite	Screw	Vis	Schraube	
22	6981156	3	Rosetta	Washer	Rondelle	Scheibe	
23	6981153	3	Rosetta	Washer	Rondelle	Scheibe	
24	6981140	3	Vite	Screw	Vis	Schraube	
25	6981139	1	Cuscinetto	Bearing	Roul. À Billes	Kugellager	
26	6981175	1	Pignone	Pinion	Pignon	Ritzel	
27	6981176	1	Ruota Dentata	Sprocket	Couronne	Zahnkettenrad	
28	6981151	1	Anello Seeger	Ring	Circlip	Ring	
29	6981177	1	Asta Collegamento	Connecting Rod	Tige De Connexion	Verbindungsstab	
30	6981178	1	Asta Collegamento	Connecting Rod	Tige De Connexion	Verbindungsstab	
31	6981097	1	Cuscinetto	Bearing	Roul. À Billes	Kugellager	
32	6981169	1	Pattino	Shoe	Bloc De Glissement	Gleitblock	
33	6981179	1	Carter	Case	Carter	Blech	
34	6981117	6	Set Viteria	Screws Set	Set Visserie	Satz Schrauben	
37	6981118	2	Vite	Screw	Vis	Schraube	
38	6981166	1	Piastrina	Plate	Plaquette	Blech	
39	6981141	2	Dado	Nut	Ecrou	Mutter	
40	6981171	1	Lama Inferiore	Bottom Blade	Lame Inférieure	Untere Klinge	
41	6981170	1	Lama Superiore	Top Blade	Lame Supérieure	Obere Klinge	
42	6981168	1	Guida Lama	Blade Holder	Guide-lame	Klingenföhrung	
43	6981167	1	Protezione Lama	Blade Guard	Protecteur Lame	Klingenschutz	
44	6981173	4	Vite	Screw	Vis	Schraube	
45	6981172	4	Rosetta	Washer	Rondelle	Scheibe	
46	6981142	4	Dado	Nut	Ecrou	Mutter	
47	6981196	1	Impugnatura Anteriore	Fore Handle	Poignée Avant	Vorderer Griff	
48	6981150	2	Vite	Screw	Vis	Schraube	
49	6981155	2	Rosetta	Washer	Rondelle	Scheibe	
50	6981152	2	Rosetta	Washer	Rondelle	Scheibe	
51	6981142	2	Dado	Nut	Ecrou	Mutter	
52	6981174	1	Coprilama	Blade Cover	Couvre-lame	Klingenabdeckung	
53	6981149	5	Vite	Screw	Vis	Schraube	
54	6981155	1	Rosetta	Washer	Rondelle	Scheibe	
55	6981152	1	Rosetta	Washer	Rondelle	Scheibe	
56	6981147	1	Vite	Screw	Vis	Schraube	