

ICTH 16 B&S

Spare parts
Ersatzteile
Pièces détachées
Reserve onderdelen
Repuestos
Reservdelar

Page "Decals"

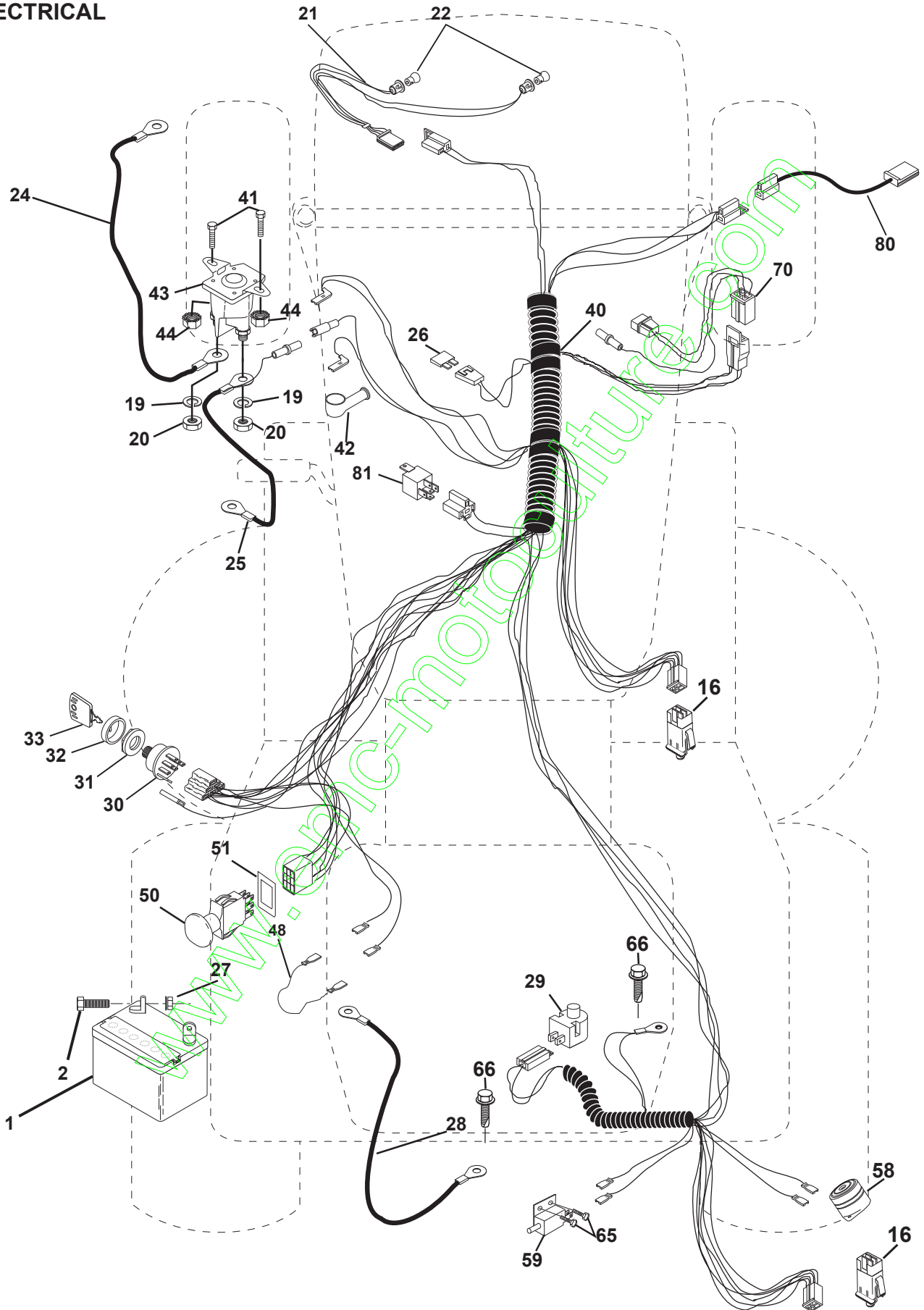
*Note: Not in stock, but can be delivered directly from factory.

www.emc-motoculture.com

REPAIR PARTS

TRACTOR- -MODEL NO. ICTH16 (JICTH16B), PRODUCT NO. 954 13 00-30

ELECTRICAL



REPAIR PARTS

TRACTOR- -MODEL NO. ICTH16 (JICTH16B), PRODUCT NO. 954 13 00-30

ELECTRICAL

KEY NO.	PART NO.	DESCRIPTION
1	532144925	Battery 12 Volt 25 AMP Wet
2	874760412	Bolt Hex Hd 1/4-20 Unc X 3/4
16	532153664	Switch Interlock Push-In
19	810090400	Washer Lock 1/4
20	873350400	Nut Jam Hex 1/4-20 Unc
21	532166182	Harness Asm Light W/4152J
22	532004152	Bulb Light #1156
24	532124780	Cable Starter 6Ga 11" Red
25	532165987	Cable Battery Crd 56" Red
26	532166180	Fuse 15 Amp
27	873510400	Nut Keps Hex 1/4-20 Unc
28	532127725	Cable Ground 6Ga 18" Black
29	532160784	Switch Plunger Normal Op Olive
30	532140301	Switch Ignition 4Pos W/Lights
31	532124211	Nut Ignition #125
32	532141226	Cover Switch Ignition #121
33	532122147	Key Ign Molded Indak
40	532166158	Harness Ign Crd Elect
41	871110408	Bolt Flk Fin Hex 1/4-20 Unc X 1/2
42	532131563	Cover Terminal Red
43	532145673	Solenoid
44	873640400	Nut Keps Blk Hex 1/4-20 Unc
48	532140844	Adapter Ammeter Rectangular
50	532154963	Switch PTO 3PDT Delta 96
51	532140405	Ring Retainer PTO
58	532165943	Buzzer Crd
59	532166299	Switch FBI CRD
65	817211008	Screw Slftp #10-16 x 1/2 Ty-Ab
66	817490608	Screw Thdrol 3/8-16 x 1/2 Ty-Tt
70	532166668	Harness Engine B&S Reg W/AFTS0
80	532146685	Harness Clutch EVX
81	532109748	Relay Asm

NOTE: All component dimensions given in U.S. inches.
1 inch = 25.4 mm.

REPAIR PARTS

TRACTOR- -MODEL NO. ICTH16 (JICTH16B), PRODUCT NO. 954 13 00-30

CHASSIS AND ENCLOSURES

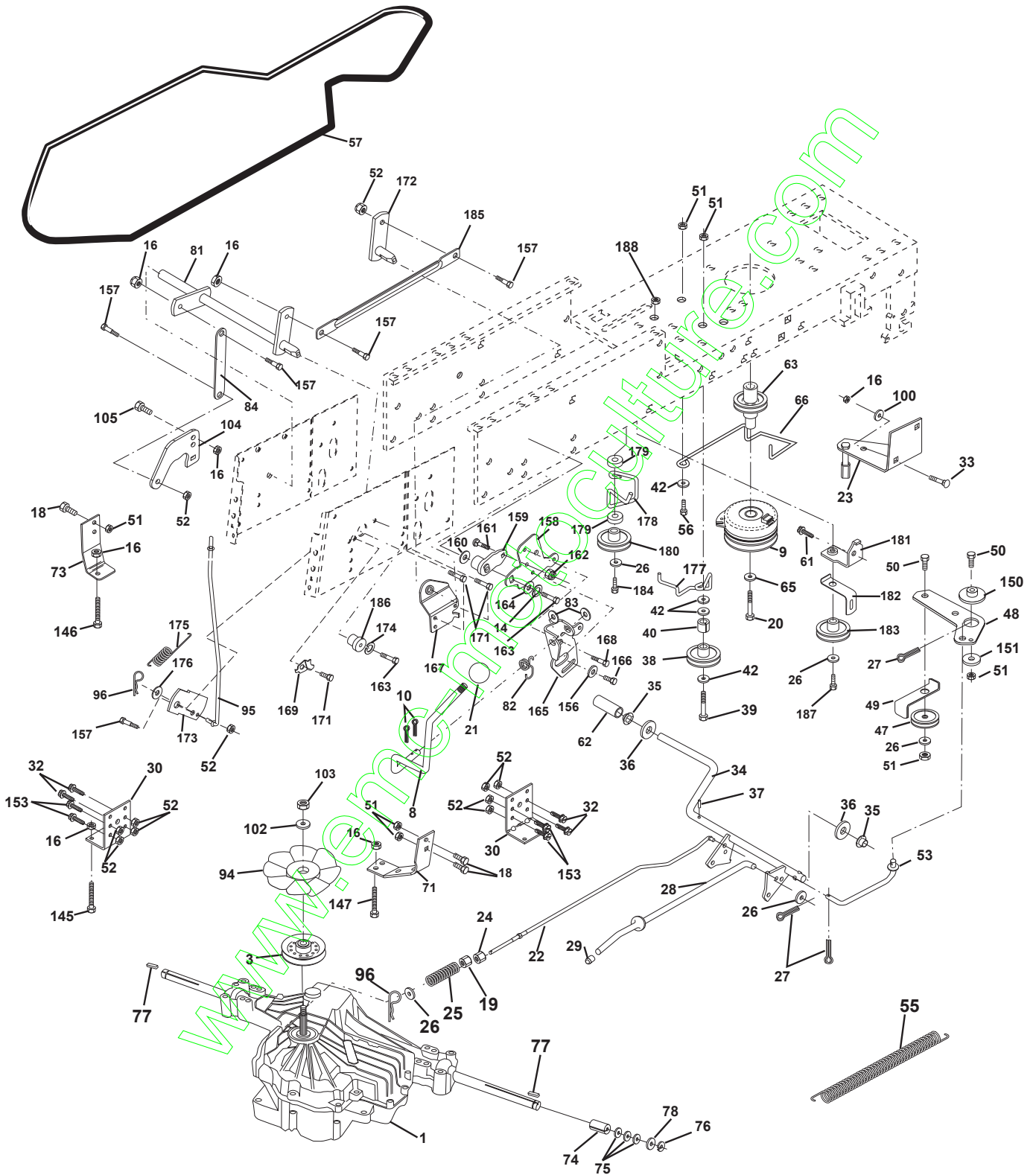
KEY NO.	PART NO.	DESCRIPTION	KEY NO.	PART NO.	DESCRIPTION
1	532165480	Chassis Assembly	57	874780412	Bolt, Fin Hex 1/4-20 UNC x .75
2	532165606	Drawbar	58	532162266	Duct Intake Engine
3	817490612	Screw, Thd. Roll. 3/8-16 x 3/4	102	532124996	Clip Fuel Line 13/32 Mtg Hole
4	819131216	Washer 13/32 x 3/4 x 16 Gauge	140	532158418	Bracket Front Suspension
5	532155272	Bumper Hood/Dash	145	532156524	Rod Pivot Chassis/Hood
6	532155923	Saddle	162	532165672	Bracket Exten Chassis Lh CRD
8	532126471	Clip Insulator 13/32 Mtg. Hole	163	532165673	Bracket Exten Chassis Rh CRD
9	532168789	Dash	164	532165605	Support Battery CRD
10	872140608	Bolt, Carriage 3/8-16 x 3/4	165	532168407	Cover Battery CRD Lt
11	532155927	Panel, Dash, L.H.	167	532165779	Support Asm. Backplate WLDMNT
12	532145660	Clip Tinnerman Grille P/L	168	872050412	Bolt, RDHD SHT NK 1/4-20 x 1-1/2
13	532155936	Panel, Asm. Dash R.H.	169	532123976	Nut, Lock 1/4 LGE FLG Gr. 5 Zinc
14	817490608	Screw Thdrol 3/8-16 x 1/2	170	532165607	Cover, Backplate Plastic Black
15	874180512	Screw, Machine, Truss Head 5/16-18 UNC x 3/4	171	874520640	Bolt Hex 3/8-16 x 2-1/2 Gr 5
16	873510500	Nut	172	819132016	Washer 13/32 x 1-1/4 x 16 Ga.
17	532150760	Hood Assembly	173	873510600	Nut, Keps Hex 3/8-16 UNC
18	532126938	Bumper Hood	174	532165939	Bracket Switch FBI CRD
20	532156437	Plate Mtg. Battery/Fuel Tank	175	532166212	Guard Door Rear CRD
24	874780616	Bolt	176	532128600	Pin Hinge Pivot
25	819131312	Washer 13/32 x 13/16 x 12 Gauge	177	532132796	Spring Bagger Top LH Black
26	873800600	Nut	178	876020312	Pin Cotter 3/32 x 3/4 Cad Zinc
28	532150671	Grille PL	179	532165942	Rod Pivot FBI CRD
29	532166603	Lens, Grille	180	874760516	Bolt Hex HD 5/16-18 UNC x 1
30	532168872	Fender	181	873680500	Nut Crownlock 5/16-18
31	532165156	Bracket, Fender Support	182	532138200	Washer .385 x .625 x 11 Ga.
33	532149139	Footrest, L.H.	183	819131316	Washer 13/32 x 13/16 x 16 Ga.
34	532149140	Footrest, R.H.	184	532166139	Bracket Actuator Bagger CRD
35	872110606	Bolt	185	532165940	Tube Lever Switch FBI CRD
37	817490508	Screw Thdrol 5/16-18 x 1/2-TYT	186	532160793	Latch Asm Multch Bagger
38	532139886	Pivot Bracket Assembly, L.H.	187	532125004	Nut Weld .327/.304 #10-24
39	532139887	Pivot Bracket Assembly, R.H.	188	819061216	Washer #10
51	873800400	Nut Lock w/Insert 1/4-20 UNC	189	810071000	Washer Lock #10
52	819091416	Washer 9/32 x 7/8 x 16 Ga.	190	871161010	Screw Truss Hd Phil 10-24 x 5/8
53	532145201	Bracket Grille Pick off Lh	192	817490624	Screw Thdrol 3/8-16 x 1-1/2
54	532161464	Screw Hex Ws Hd 8-18 x 7/8	193	817720410	Screw Hex Thd Cut 1/4-20 x 5/8
55	532145202	Bracket Grille Pick off Rh	194	817060612	Screw 3/8-16 x .75

NOTE: All component dimensions given in U.S. inches.
1 inch = 25.4 mm.

REPAIR PARTS

TRACTOR- -MODEL NO. ICTH16 (JICTH16B), PRODUCT NO. 954 13 00-30

DRIVE



REPAIR PARTS

TRACTOR- -MODEL NO. ICTH16 (JICTH16B), PRODUCT NO. 954 13 00-30

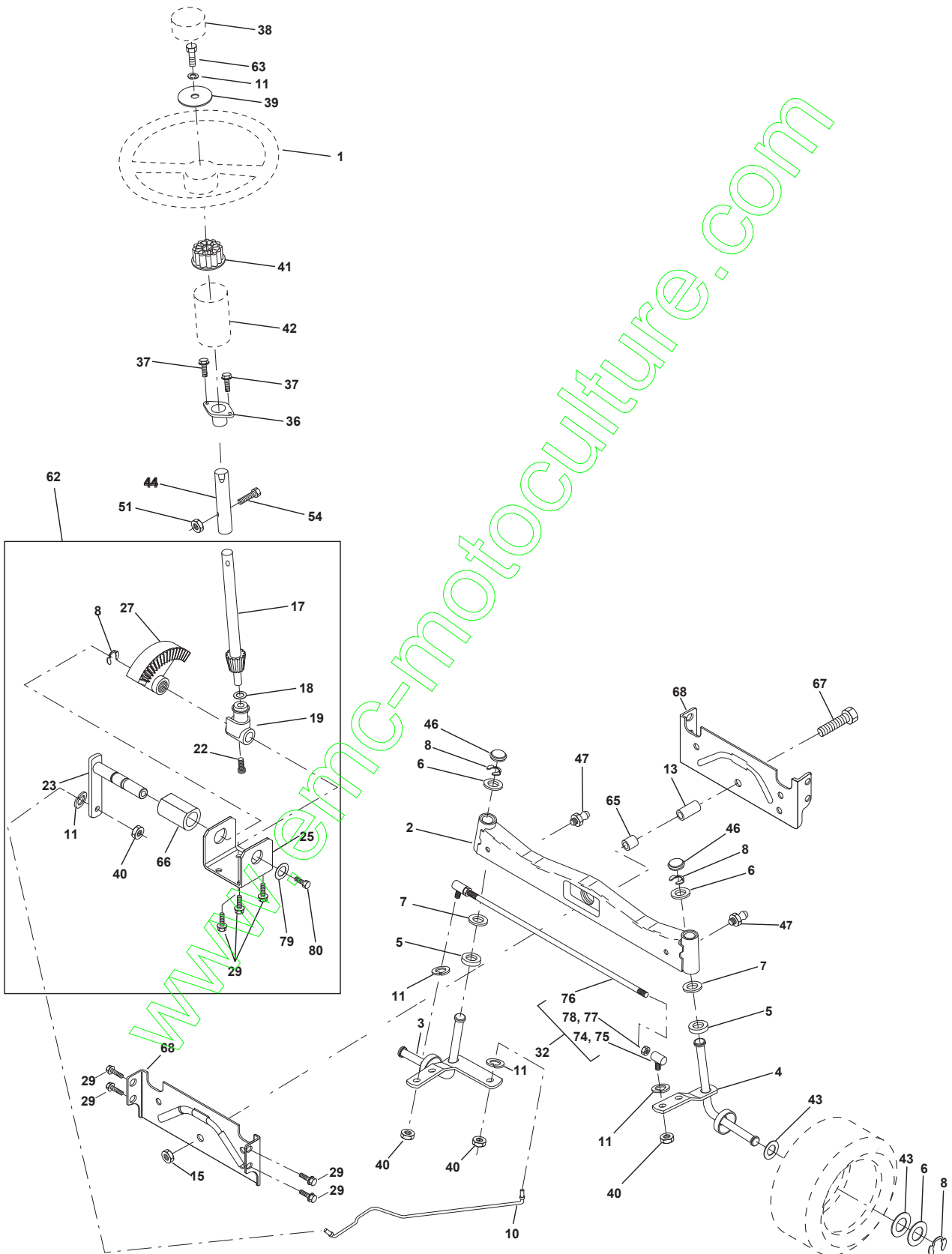
DRIVE

KEY NO.	PART NO.	DESCRIPTION	KEY NO.	PART NO.	DESCRIPTION
1	-----	Transaxle, Hydro Gear 331-0650 Order parts from transaxle manufacturer	78	532121748	Washer 25/32 x 1-5/8 x 16 Ga.
3	532143995	Pulley Hydro 0650 Lt/CRD	81	532165585	Asm, Shaft
8	532165619	Rod, Shift Fender Adjust Lt	82	532123782	Spring, Torsion
9	532167162	Clutch Ele EVX 80 W/Hard Brake	83	819171216	Washer 17/32 x 3/4 x 16 Ga.
10	876020416	Pin, Cotter 1/8 x 1	84	532165629	Link, Transaxle
14	810040400	Washer, Lock Hvy Helical	94	532140462	Fan 7"
16	873800500	Nut, Lock Hex w/lins 5/16-18 UNC	95	532165935	Control Asm Bypass Hydro
18	874780616	Bolt Hex 3/8-16 UNC x 1 Gr.5	96	532124788	Spring, Retainer 1"
19	873800600	Nut, Lock Hex w/Wsh 3/8-16 UNC	100	819111216	Washer 11/32 x 3/4 x 16 Ga.
20	532150280	Bolt, Hex 7/16-20 x 4-1/4 5 Ga 1.38	102	532141322	Washer, Bellville .50ID x 1.50D
21	532130564	Knob Deluxe 1/2-13 Unc	103	873940800	Nut, Hex Jam Toplock 1/2-20 UNF
22	532165688	Rod, Brake CRD 0650	104	532140156	Arm, Control Hydro
23	532154978	Bracket asm Clutch Mtg. EVX 97	105	871070516	Screw Cap Hex 5/16 x 18 Unc-1
24	873350600	Nut	145	874490540	Bolt Hex FGHD 5/16-18 x Gr 5
25	532106888	Spring, Rod, Brake	146	874490536	Bolt Hex FLGHD 5/16-18 x 2-1/4
26	819131316	Washer 13/32 x 13/16 x 16 Ga.	147	874490524	Bolt Hex FLGHD 5/16-18 x 1-1/2
27	876020412	Pin, Cotter 1/8 x 3/4	150	532165850	Bushing, Bellcrank Grnd Dr
28	532145204	Rod, Parking Brake	151	819133210	Washer 13/32 x 2 x 10 Ga.
29	532124236	Cap, Parking Brake	153	874760516	Bolt Hex Hd 5/16-18 Unc x 1
30	532130807	Bracket, Mfg. Transaxle	156	532166002	Washer Srrted 5/16ID x 1.125
32	874760512	Bolt Hex 5/16-18 UNC x 3/4	157	532153236	Bolt Shoulder 5/16-18 Unc 2A
33	872140506	Bolt Rdhd Sqnk 5/16-18 Unc x 3/4	158	532165589	Bracket Shift Mount
34	532165496	Shaft, Asm Pedal Foot CRD	159	532165494	Hub Tapered Flange Shift Lt
35	532120183	Bearing, Nylon	160	819292016	Washer 29/32 x 1-1/4 x 16 Ga.
36	819211616	Washer 21/32 x 1 x 16 Ga.	161	872140406	Bolt Rdhd Sqnk 1/4-20 x 3/4 Gr 5
37	532124963	Pin, Roll 3/16 x 1"	162	873680400	Nut Crownlock 1/4-20 Unc
38	532165936	Pulley Flat Idler	163	874780416	Bolt Hex Fin 1/4-20 Unc x 1 Gr 5
39	874760644	Bolt Fin Hex 3/8-16 x 2-3/4	164	819091010	Washer 5/8 x .281 x 10 Ga.
40	532124965	Spacer, Split 395 x 59 Bzp	165	532165623	Bracket Pivot Lever
42	819131312	Washer 13/32 x 13/16 x 12 Ga.	166	532166880	Screw 5/16-18 x 5/8
47	532127783	Pulley, Idler, V Groove Plasic	167	532165588	Bracket Support Shift CRD
48	532154407	Bellcrank Clutch Grnd Drv	168	532165492	Bolt Shoulder 5/16-18 x .561
49	532123205	Retainer, Belt Style Spring	169	532165580	Plate Fastening Lt
50	874760624	Bolt Hex Hd 3/8-16 UNC x 1-1/2	171	817490608	Screw Thdrol 3/8-16 x 1/2 Ty-Tt
51	873680600	Nut, Crownlock 3/8-16 UNC	172	532165587	Shaft Asm Shifter Frt CRD 0650
52	873680500	Nut Crownlock 5/16-18	173	532165934	Bracket Hydro Bypass CRD
53	532105710	Link, Clutch 7.66	174	810090400	Washer Lock 1/4
55	532105709	Spring, Return, Clutch	175	532165931	Spring Bypass CRD
56	874760620	Bolt, Hex 3/8-16 UNC x 1-1/4	176	819070816	Washer 7/32 x 1/2 x 16 Ga.
57	532165632	V-Belt Kev 112" 0650 CRD	177	532165932	Keeper Flat Idler 3.06" CRD
61	817490612	Screw, Thdrol 3/8-16 x 3/4 Ty-TT	178	532165933	Keeper Belt Idler 1.88" CRD
62	532124872	Cover, Pedal	179	532120958	Washer Sintered
63	532145868	Pulley, Clutch elect EVX 1"	180	532165630	Pulley, Idler, Flat 1.88"CRD
65	810040700	Washer	181	532165797	Bracket Idler Ground Drive CRD
66	532154778	Keeper, Belt Engine F-Proof	182	532165634	Keeper Belt 2.5" Od V-Idler CRD
71	532140158	Strap, Torque, Lh	183	532165626	Pulley V-Idler 2.50" Od CRD
73	532156347	Strap, Torque, Rh	184	817490644	Screw Hexwsh Thdrol 3/8-16 x 2-3/4
74	532121199	Spacer, Split	185	532165541	Link Shift CRD Hydro 0650
75	532121749	Washer 25/32 x 1-1/4 x 16 Ga.	186	532165614	Hub Tapered Round CRD
76	812000001	Ring, E	187	817490620	Screw Thdrol 3/8-16 x 1-1/4 TT
77	532123583	Key, Square	188	532110436	Bushing Snap Split Blk

NOTE: All component dimensions given in U.S. inches
1 inch = 25.4 mm

REPAIR PARTS

TRACTOR- -MODEL NO. ICTH16 (JICTH16B), PRODUCT NO. 954 13 00-30
STEERING ASSEMBLY



REPAIR PARTS

TRACTOR- -MODEL NO. ICTH16 (JICTH16B), PRODUCT NO. 954 13 00-30

STEERING ASSEMBLY

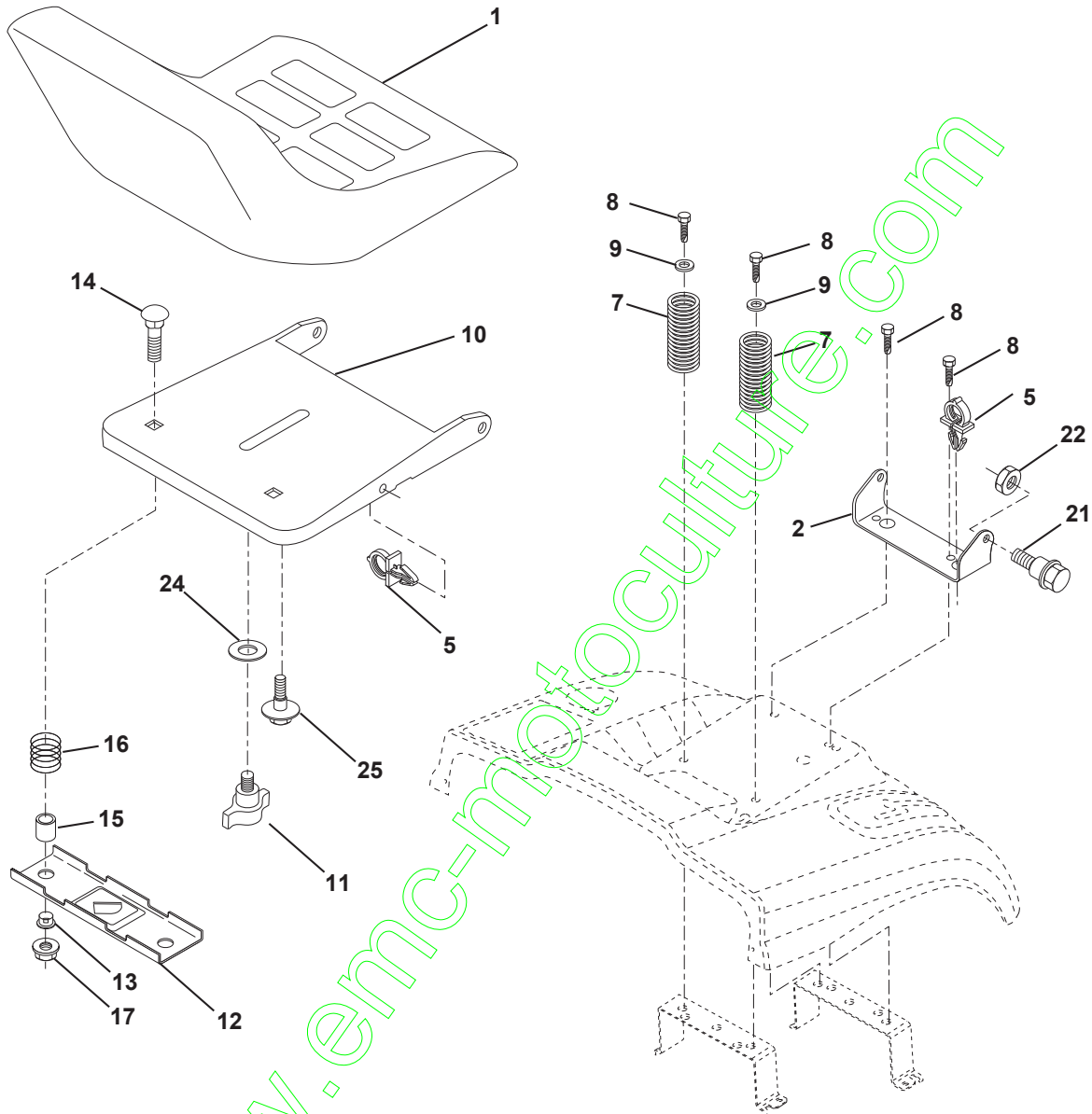
KEY NO.	PART NO.	DESCRIPTION
1	532140044	Steering Wheel
2	532137094	Front Axle Assembly
3	532157479	Spindle Assembly, L.H.
4	532157478	Spindle Assembly, R.H.
5	532124931	Bearing, Race, Thrust, Hardened
6	532121748	Washer 25/32 x 1-5/8 x 16 Gauge
7	819272016	Washer 27/32 x 1-1/4 x 16 Gauge
8	812000029	Ring, Klip
10	532154432	Link, Drag
11	810040600	Washer, Lock
13	532167118	Spacer Axle
15	873901000	Nut, Lock, Flange 5/8-11 UNC
17	532156546	Shaft Assembly, Steering
18	532057079	Washer, Thrust .515 x .750 x .033
19	532160395	Support, Shaft
22	532165857	Screw Hex Wshhd Torx
23	532165851	Pittman Shaft Assembly
25	532154406	Bracket, Steering
27	532136874	Gear, Sector
29	817490612	Screw, Thd., Roll. 3/8-16 x 3/4
32	532137347	Rod, Tie
36	532155099	Bushing, Steering
37	532152927	Screw TT #10-32 x 5 x 3/8 Flange
38	532140045	Cap Wheel Steering
39	819133808	Washer 13/32 x 2-3/8 x 8 Gauge
40	532124701	Nut Lock Center 3/8-24 Unf
41	532100711	Adaptor, Steering Wheel
42	532145054	Boot, Steering
43	532121749	Washer 25/32 x 1-1/4 x 16 Gauge
44	532153720	Extension Steering Non-Adjust
46	532121232	Cap, Spindle
47	532124836	Fitting, Grease
51	873800500	Nut Lock Hx W/Ins 5/16-18 UNC
54	874780520	Bolt Fin Hex 5/16-18 UNC x 1-1/4
62	532167902	Kit, Steering Assembly, Service
63	874780616	Bolt Fin Hex 3/8-16 unc. x 1 Gr. 5
65	532154780	Spacer Axle
66	532154404	Bearing Arm Pittman
67	874781044	Bolt Fin Hex 5/8-11unc x 2-3/4
68	532154429	Brace Axle
74	532109850	Joint Asm Ball Rh Service
75	532109851	Joint Asm Ball Lh Service
76	532137156	Rod Tie Ball J Adj. VGT Service
77	873700600	Nut Hex Jam 3/8-24 Unf Lh
78	873360600	Nut Hex Jam 3/8-24
79	819132012	Washer 13/32 x 1-1/4 x 12 Ga
80	874950612	Bolt Hex Nylon 3/8-16 x 3/4

NOTE: All component dimensions given in U.S. inches.
1 inch = 25.4 mm.

REPAIR PARTS

TRACTOR- -MODEL NO. ICTH16 (JICTH16B), PRODUCT NO. 954 13 00-30

SEAT ASSEMBLY



KEY NO.	PART NO.	DESCRIPTION
1	532140117	Seat
2	532140551	Bracket Pnt Pivot Seat (blk)
5	532145006	Clip Push In Hinged
7	532124181	Spring Seat Cprsn 2 250 Blk Zi
8	817490616	Screw Thdrol 3/8-16 X 1 Ty-tt
9	819131614	Washer 13/32 X 1 X 14 Ga
10	532155925	Pan Pnt Seat (blk)
11	532166369	Knob Seat Adj. Wingnut
12	532121246	Bracket Pnt Mounting Switch
13	532121248	Bushing Snap Blk Nyl 50 Id

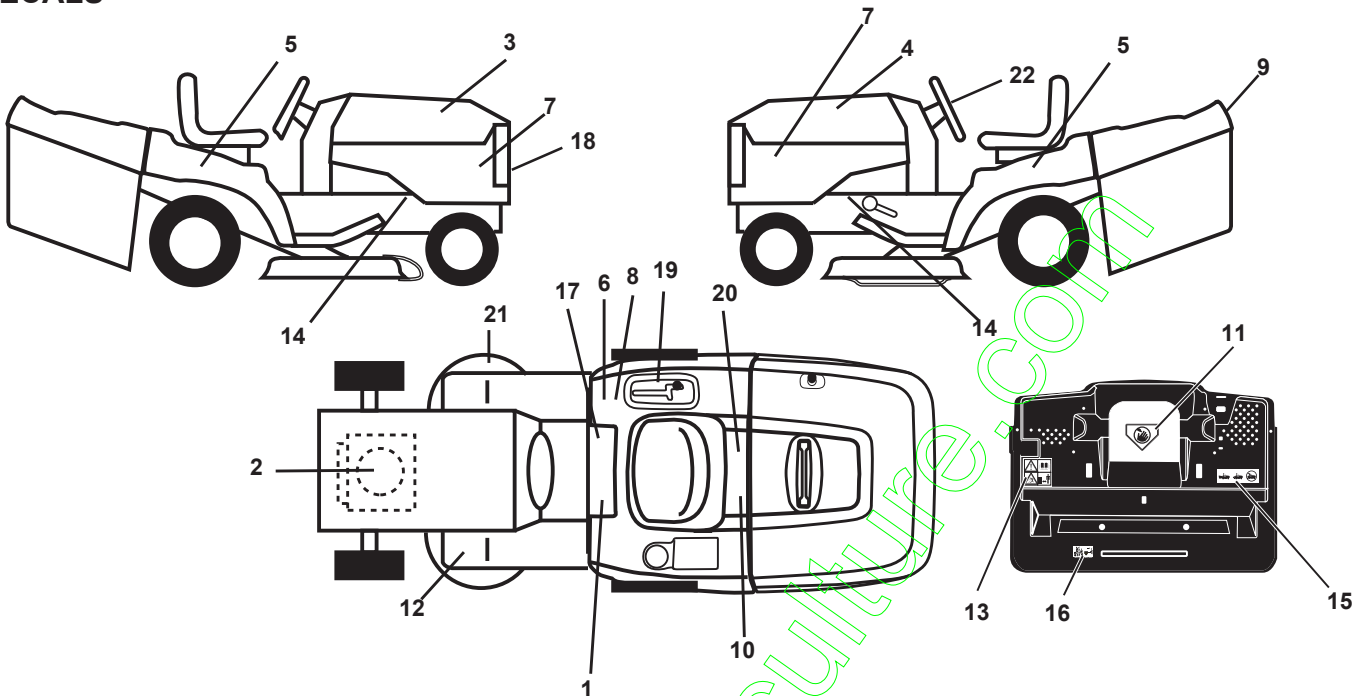
KEY NO.	PART NO.	DESCRIPTION
14	872050412	Bolt Rdhd Sht Nk 1/4-20x1-1/2
15	532134300	Spacer Split 28 X 96 Zinc
16	532121250	Spring Cprsn 1 27 Blk Pnt
17	532123976	Nut Lock 1/4 Lge Flg Gr 5 Zinc
21	532153236	Bolt Shoulder 5/16-18 Unc-2A
22	873800500	Nut Hex Lock w/Ins 5/16-18
24	819171912	Washer 17/32 X 1-3/16 X 12 Ga.
25	532127018	Bolt Shoulder 5/16-18 X 62

NOTE: All component dimensions given in U.S. inches.
1 inch = 25.4 mm

REPAIR PARTS

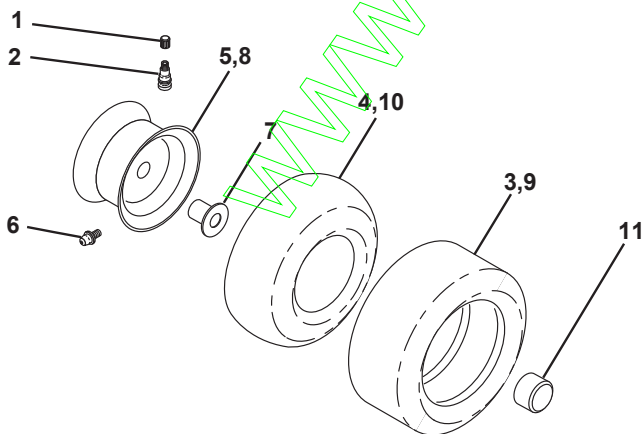
TRACTOR- -MODEL NO. ICTH16 (JICTH16B), PRODUCT NO. 954 13 00-30

DECALS



KEY NO.	PART NO.	DESCRIPTION	KEY NO.	PART NO.	DESCRIPTION
1	532145498*	Decal Read Owner's Manual Sym	13	532166959*	Decal Warn Back Plate CRD
2	532168892*	Decal Hp Engine	14	532159736*	Decal Chassis Hot Muffler
3	532167128	Decal Hood Rh	15	532166961*	Decal Oper Bag Presence CRD
4	532167129	Decal Hood Lh	16	532162598*	Decal Drawbar Load Limit
5	532150652*	Decal Fender Automatic	17	532140837*	Decal Saddle Brake Parking
6	532126187*	Decal 100 DBA	18	532152262*	Decal Grille
7	532162927*	Decal Hood Insert	19	532166962*	Decal Console Hydro CRD White
8	532145437*	Decal Europe Stand Ce	20	532166960*	Decal Bypass Fender CRD
9	532141761*	Decal Fender Logo	21	532166286*	Decal Hex Belt Sch 92 CRD
10	532145005*	Decal Bat Dan/Poi P/L Sym W/pn	22	532152252*	Decal Ins Strg Whl
11	532145494*	Decal Mower Cut Finger Symbol	—	532138311*	Decal Lift Handle
12	532159737*	Decal Brake/Clutch Symbol Lt	—	532157199*	Pad Footrest
			—	532168940	Manual Operator's (Euro)
			—	532168941	Manual Operator's (Scan)

WHEELS & TIRES

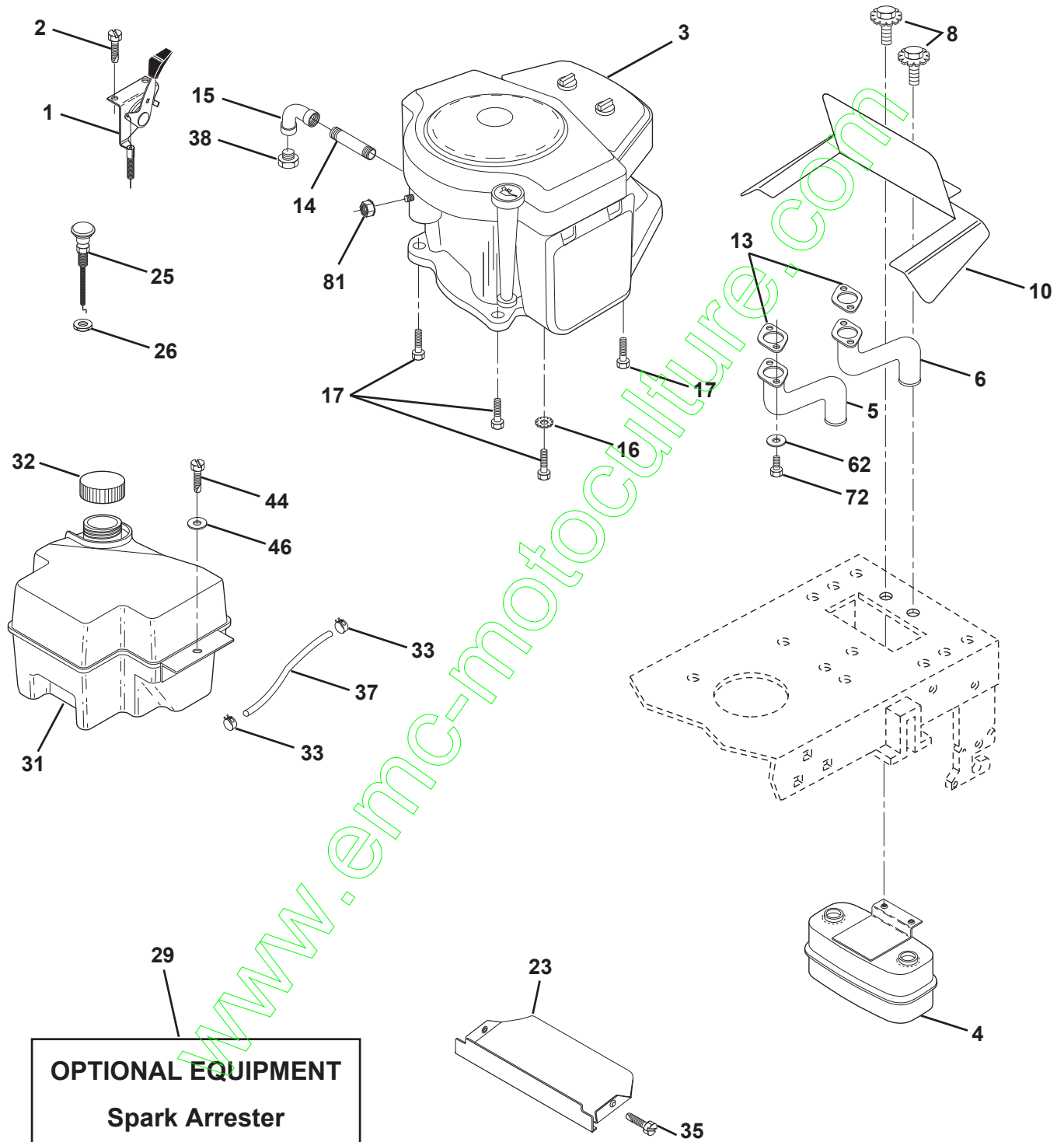


KEY NO.	PART NO.	DESCRIPTION
1	532059192	Cap Value Tire
2	532065139	Stem Value
3	532106222	Tire F Ts 15 X 6 0 - 6 Service
4	532059904	Tube Inner Front #35060
5	532138336	Rim Asm 6"front Silver Service
6	532124957	Fitting Grease
7	532124959	Bearing Flange
8	532138337	Rim Asm 8"rear Silver Service
9	532138468	Tire R Ts 20 x 8-8 Service
10	532124926	Tube Rear 9 5 X 8 Service
11	532104757	Cap Axle Blk 1 50 X 1 00

NOTE: All component dimensions given in U.S. inches
1 inch = 25.4 mm

REPAIR PARTS

TRACTOR- -MODEL NO. ICTH16 (JICTH16B), PRODUCT NO. 954 13 00-30
ENGINE



REPAIR PARTS

TRACTOR- -MODEL NO. ICTH16 (JICTH16B), PRODUCT NO. 954 13 00-30

ENGINE

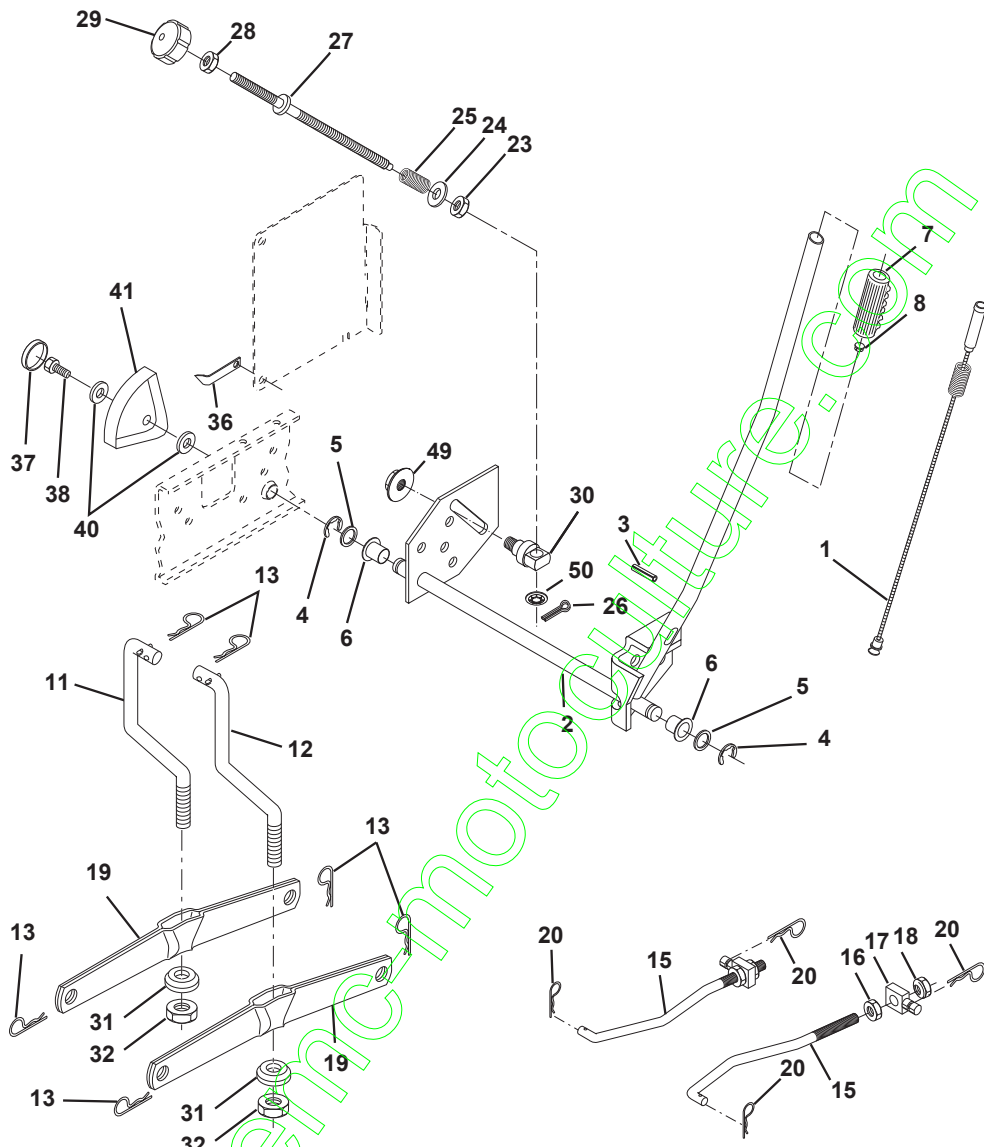
KEY NO.	PART NO.	DESCRIPTION
1	532148875	Control Throt
2	817720410	Screw Hex Thd Cut 1/4-20x5/8 T
3	-----	Engine (Order parts from engine manufacturer)
4	532149723	Muffler Twin Lo-Twin
5	532159955	Tube, Manifold Lh
6	532160589	Tube, Manifold Rh
8	532150176	Bolt 5/16-18 Unc x 3/4 w/Sems
10	532162797	Shield Browning Intek
13	532165391	Gasket Muffler
14	813280336	Nipple Pipe 3/8 Npt X 4-1/2"
15	813200300	Elbow Std 90 Degree 3/8-18 Npt
16	811050600	Washer Lock Ext Tooth 3/8
17	817490624	Screw, Thdrol 3/8-16 x 1-1/2 Tytt
23	532159880	Shield Brn/Dbr Guard
25	532145996	Choke Control 37"
26	873920600	Nut, Keps 3/8-24 Unf
29	532137180	Kit Spark Arrestor (Flat Scrn)
31	532161911	Tank Fuel 2.00
32	532140527	Cap Asm Fuel W/sym Vented
33	532123487	Clamp Hose Blk
35	817490512	Screw Thdrol 5/16-18 x 3/4
37	532137040	Line Fuel
38	-----	Plug Oil Drain (Order From Engine Manufacturer)
44	817490412	Screw Hexwsh Thdrol 1/4-20 x 3/4
46	819091416	Washer 9/32 x 7/8 x 16 Ga.
62	810040500	Washer, Lock Hvy. Hlcl Spr 5/16
72	871070512	Screw Hex Hd Cap 5/16-18 x 3/4
81	532128861	Nut Flange 1/4-20 Starter Nut

NOTE: All component dimensions given in U.S. inches
1 inch = 25.4 mm

REPAIR PARTS

TRACTOR- -MODEL NO. ICTH16 (JICTH16B), PRODUCT NO. 954 13 00-30

MOWER LIFT



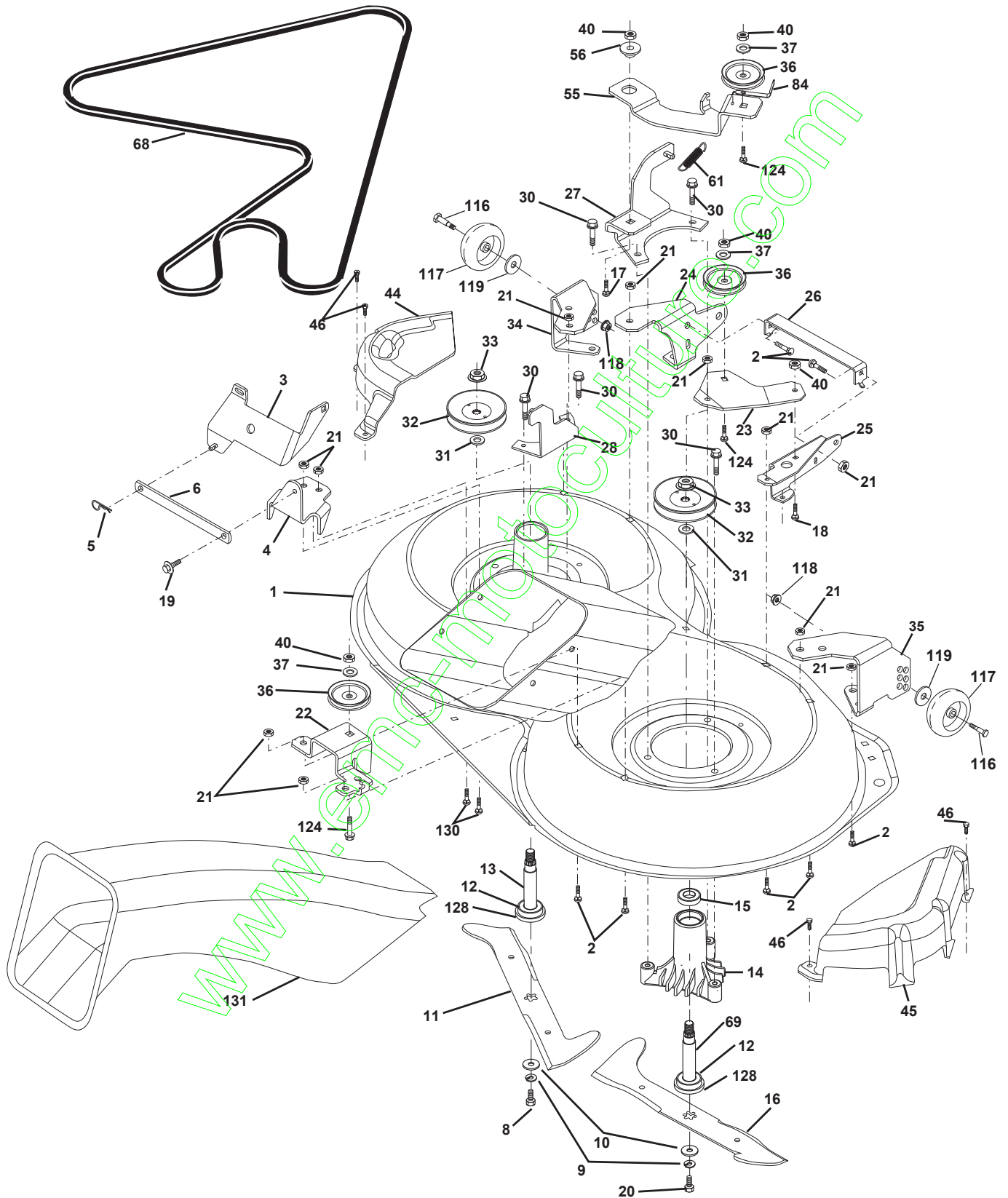
KEY NO.	PART NO.	DESCRIPTION
1	532159460	Washer Asm Inner Spring W/ Plunger
2	532159471	Shaft Asm. Lift
3	532105767	Pin Groove
4	812000002	E Ring #5133-62
5	819211621	Washer 21/32 x 1 x 21 Ga.
6	532120183	Bearing Nylon
7	532125631	Grip Handle Fluted
8	532122365	Button Plunger Black
11	532165829	Link Asm Lift L.H.
12	532165831	Link Asm Lift R.H.
13	532124670	Retainer Spring
15	532127218	Link Front
16	873350800	Nut Jam Hex 1/2-13 Unc
17	532130171	Trunnion Blk Zinc
18	873680800	Nut Crownlock 1/2-13 Unc
19	532139868	Arm Suspension Mower
20	532163552	Retainer Spring

KEY NO.	PART NO.	DESCRIPTION
23	532110807	Nut Special
24	819131016	Washer 13/32 x 5/8 x 16 Ga.
25	532124874	Spring 2-1/8"
26	876020308	Pin Cotter 3/32 x 1/2
27	532126971	Rod Adj Lift Zinc 7.49 Wrk Lg
28	873350600	Nut Hex Jam 3/8-16 Unc
29	532138057	Knob Inf 3/8-16 Unc Blk w/sym
30	532150233	Trunnion Infin Height
31	532140302	Bearing, Pvt. Lift. Spherical
32	873540600	Nut Crownlock 3/8-24
36	532155097	Pointer Height Indicator
37	532123935	Plug Hole Blk 1.485/1.515 Dia
38	817490512	Screw Thdrol 5/16-18 x 3/4
40	819112410	Washer 11/32 x 1-1/2 x 10 Ga.
41	532123934	Scale Ind Height Blk
49	532145212	Nut hex Flange Lock
50	532110452	Nut Push Phos & Oil

NOTE: All component dimensions given in U.S. inches
1 inch = 25.4 mm

REPAIR PARTS

TRACTOR- -MODEL NO. ICTH16 (JICTH16B), PRODUCT NO. 954 13 00-30
MOWER



REPAIR PARTS

TRACTOR- -MODEL NO. ICTH16 (JICTH16B), PRODUCT NO. 954 13 00-30

MOWER

KEY NO.	PART NO.	DESCRIPTION	KEY NO.	PART NO.	DESCRIPTION
1	532165552	Housing Asm. Mower 92 CRD	32	532153531	Mandrel Pulleys 36 & 46
2	872140506	Bolt Rdhd Sqnk 5/16-18 Unc x 3/4	33	532137266	Nut Flg Top Lock Cntr B 9/16
3	532165569	Bracket Asm. S-Bar Chass 92 CRD	34	532165239	Bracket Gauge Wheel Lf 92 CRD
4	532165558	Bracket Bar Sway Deck 92 CRD	35	532165238	Bracket Gauge Wheel Rf 92 CRD
5	532124670	Retainer Spring	36	532146763	Pulley Idler V-Groove Dim 4.25
6	532165557	Bar Sway 92 CRD	37	819131316	Washer 11/32 x 13/16 x 16 Ga
8	532850857	Bolt 3/8-24 x 1.25 Gr8 Patched	40	873680600	Nut Crownlock 3/8-16 Unc
9	810030600	Washer Lock Hvy 3/8 Unplated	44	532165724	Cover Mandrel Lh 92 CRD
10	532140296	Washer Hard Blade Mower vented	45	532165556	Cover Mandrel Rh 92 CRD
11	532165560	Blade 3-1 Lh 92 CRD	46	532137729	Screw Thd Roll 1/4-20 x 5/8
12	532129895	Bearing Ball #6204 (Mandrel)	55	532165445	Arm Idler 92 CRD
13	532137645	Shaft Asm. W/Lower Bearing	56	532122052	Spacer Retainer PM Mower
14	532128774	Housing Mandrel Vented (Machd)	61	532165945	Spring Tension Belt
15	532110485	Bearing Ball Mandrel	68	532165555	Hex-Belt 92 Mower 105AA
16	532165561	Blade 3-1 Rh 92 CRD	69	532165482	Shaft Asm W/Lwr Brg Rh Thd CRD
17	872140610	Bolt Carriage 3/8-16 x 1-1/4	84	532156085	Keeper Belt Idler
18	872110608	Bolt Rdhd Sqnk 3/8-16 x 1 Gr5	116	532137644	Bolt Shoulder
19	532132827	Bolt Shoulder 5/16-18 Thd Form	117	532133957	Wheel Gage Donut Wide
20	532165484	Bolt 3/8-24 x 1.25 Gr8 Ptch Lhthd	118	873930600	Nut Centerlock 3/8-16 Unc
21	873680500	Nut Crown Lock 5/16-18	119	819121414	Washer 3/8 x 7/8 x 14 Ga.
22	532165243	Bracket Idler Sprt RR 92 CRD	124	872110612	Bolt Carr Sh 3/8-16 x 1-1/2 Gr5
23	532165446	Bracket Idler Sprt RF 92 CRD	128	532153390	Washer Felt
24	532165242	Bracket Suspension LF 92 CRD	130	872110506	Bolt Rdhdsqnk 5/16-18 Unc x 3/4
25	532165244	Bracket Suspension RF 92 CRD	131	532165661	Chute Bagger CRD 92cm
26	532165237	Brace Support Susp Frt CRD	--	532130794	Mandrel Asm Service
27	532165568	Bracket Asm. Susp RR 92 CRD	--	532165579	Mandrel Asm CRD Lh Threads SVC
28	532165567	Bracket Asm. Susp LR 92 CRD	--	532165578	Deck Mower Complete
30	532157722	Screw Thd Rolling Washer Head			
31	532129963	Washer Spacer Mower Vented			

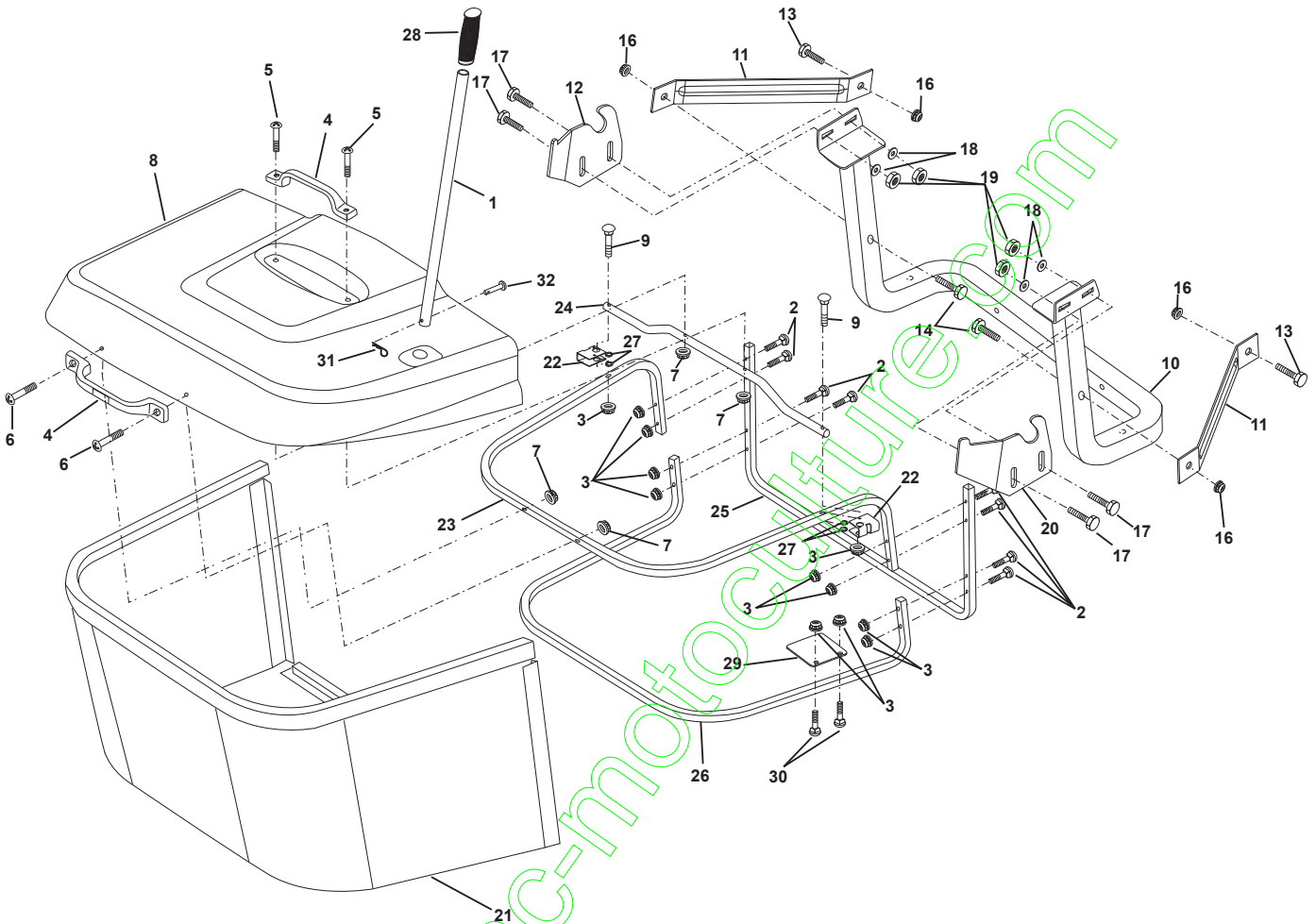
NOTE: All component dimensions given in U.S. inches
1 inch = 25.4 mm

www.emc-motors.com

REPAIR PARTS

TRACTOR- -MODEL NO. ICTH16 (JICTH16B) PRODUCT NO. 954 13 00-30

BAGGER



KEY NO.	PART NO.	DESCRIPTION
1	532165249	Tube Handle Bagger CRD
2	872140416	Bolt Carriage 1/4-20 X 2.0 Gr.5
3	532123976	Nut Lock 1/4 Lge Flg Gr. 5 Zinc
4	532165693	Handle Grab Plastic Black
5	874981024	Screw Pan Head #10-24 X 1.50 Blk
6	874981032	Screw Pan Hd
7	873401000	Nut Wiz Lock Hex Serr/Hd #10-24
8	532168871	Cover Bagger Plastic CRD
9	872140418	Bolt Carriage 1/4-20 x 2.25d x Gr.5
10	532165716	Support Asm Wldmnt Bagger CRD
11	532165719	Bracket Support Upper Bag CRD
12	532165735	Bracket Pivot Bagger Lh CRD
13	872110606	Bolt Rdhd Sht Sqnk 3/8-16 X 3/4
14	874520640	Bolt Hex 3/8-16 X 2-1/2 Gr. 5
16	873900600	Nut Lock Flg 3/8-16 Unc
17	872140506	Bolt Rdhd Sht Sqnk 5/16 -18 Unc X 3/4

KEY NO.	PART NO.	DESCRIPTION
18	819112016	Washer 11/32 X 1.25 X 16 Ga.
19	873800500	Nut Lock Hex W/Ins 5/16-18 Unc Pl
20	532165736	Bracket Pivot Bagger RH CRD
21	532165780	Bag Asm CRD
22	532165781	Bracket Side Bagger CRD
23	532165782	Tube Upper Bagger CRD
24	532165783	Tube Pivot Bagger CRD
25	532165784	Tube Front Bagger CRD
26	532165785	Tube Lower Bagger CRD
27	532165786	Grommet Extruded Cut 1/8
28	532165787	Grip Handle Black
29	532165839	Plate Stop Bagger handle CRD
30	872140410	Bolt Carriage 1/4-20 x 1 Gr.5
31	532124788	Retainer Spring 1" Zinc/Cad
32	532126875	Rivet Rd Hd Drilled 3/8 Dia

NOTE: All component dimensions given in U.S. inches
1 inch = 25.4 mm